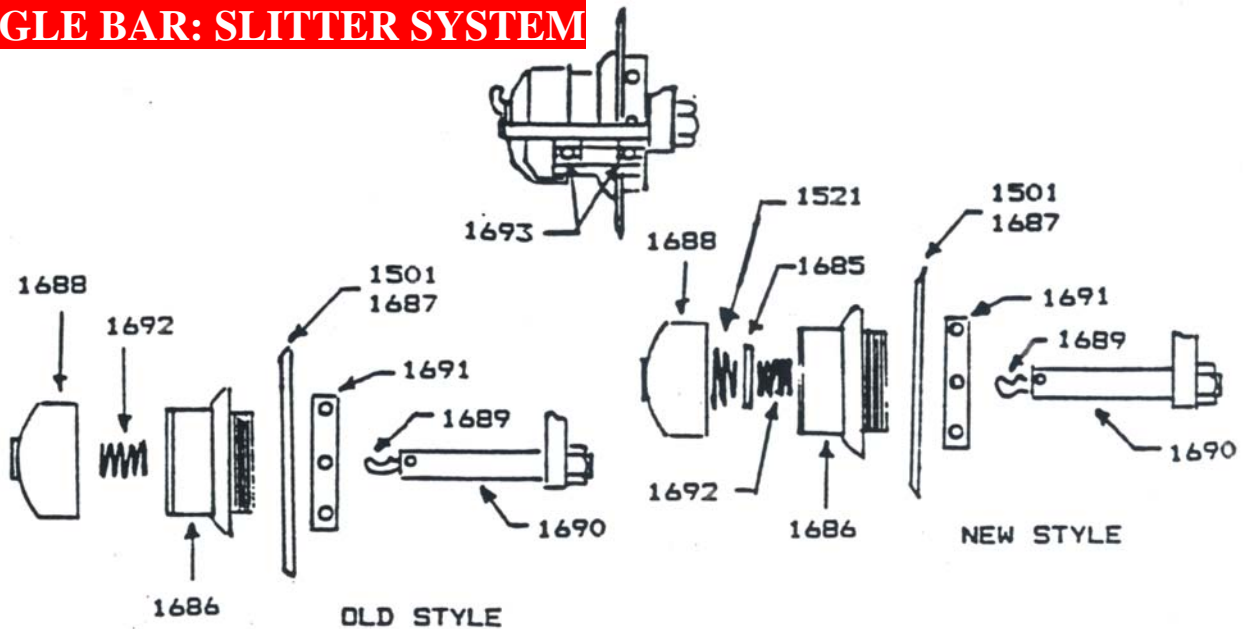




1-888-434-0888
TOLL FREE

ANGLE BAR: SLITTER SYSTEM



KOEGEL SLITTER ASSEMBLY

STOCK NO.	DESCRIPTION	GOSS PART NO.
1500	Slitter Assy. N/S	895200-0001
1501	Slitter – 5” OD	814008-0050
1501-00T	Slitter – 5” OD (Tin Coated)	
1521	Conical Spring	
1685	Pre-Load Spring Nut	
1686	Bearing Hub	
1686	Plate	
1686-003	Screws (4 Per)	
1687	Slitter – 6” OD	814008-0060
1688	Guard Shell	
1689	Retainer Lever	
1690	Slitter Shaft	
1691	Locking Collar	
1692	Pre-Load Spring	
1693	Bearing	
1693-1	Bearing Bushing	
1955	Slitter Guard	
1696	Retaining Ring	

**** SPECIFY OLD OR NEW STYLE**

www.a-americanpressparts.com

Check our website for updates!