



1-888-434-0888
TOLL FREE

GOSS METRO-LINER UNIT

Table of Contents

Title:	Page
AIR SYSTEM	
Main Air Line & Unit Air Line	<u>3</u>
Pneumatic Switches & Indicators	<u>4</u>
Pneumatic Safety System	<u>5</u>
10 & 13 Side Legs - Operator Side	<u>6</u>
Anti-Setoff Pneumatic System	<u>7</u>
Cannister Air Hose Assembly	<u>8</u>
Cannister Air Hose Fittings	<u>8</u>
Poly-Flow Fittings	<u>9</u>
Legris Fittings	<u>10</u>
Hi-Duty Fittings	<u>11</u>
CYLINDERS	
Blanket Cylinder Assembly • Silencing & Non-Silencing	<u>13</u>
Blanket Cylinder Lock-up	<u>14</u>
Blanket Cylinder Linkage • Black & Process	<u>15</u>
Common Impression Cylinder	<u>16</u>
Common Lift Cylinder Assembly	<u>17</u>
Plate Cylinder Assy. • W/ & W/Out Circum & Sidelay	<u>18</u>
Plate Cylinder Lockup Assembly	<u>19</u>
Manual Circumferential & Sidelay	<u>20</u>
Water Drum Vibrator	<u>21</u>
Vibrated Drum	<u>22</u>
DAMPENER SYSTEMS	
Spiral Brush Water System	<u>23</u>
Baldwin Auto Mix & Circulator	<u>24</u>
Spiral Brush Assembly • Unit	<u>25</u>
Water Stop Assembly	<u>26</u>
DRIVE SYSTEM	
Vertical Drive • Reverse & Non-Reverse	<u>27</u>
Vertical & Horizontal Drive • 13 Side Deck	<u>28</u>
Vertical & Horizontal Drive • 10	<u>29</u>
Vertical Drive Shaft Shifter	<u>30</u>
Main Drive Clutch	<u>31</u>
Main Drive Motors • General Electric	<u>32</u>
GUARDS	
Plate Cylinder Guard Assembly	<u>33</u>

www.a-americanpressparts.com

Check our website for updates!



1-888-434-0888
TOLL FREE

INK SYSTEM

Main Ink Line Filters & Pneumatic System	35
Main Ink Line Piping	36
Main Ink Line & Cannister Ink Line Fittings	37
Pac To Rail Ink Hose Fittings	38
Pac & Ink Rail Hose Fittings	39
Ink Cannister • Old Style	40
Ink Cannister Assembly • New Style	41
Cannister To Pac Ink Hose Assembly	42
Ink Pac Drive Assembly	43
Ink Injector Drive • Half Deck	44
Ink Pac Drive Box • New Style	45
Pneumatic Ink Rail Assembly	46
Double Stroke Ink Injector Page Pac Assembly	48
Double Stroke Ink Injector Page Pac Assembly	49
Single Stroke Ink Injector Page Pac Assembly	50
Single Stroke Ink Injector Page Pac Assembly	51

INFEED SYSTEM

Infeed Linkage	53
Infeed Drive Assembly	54

LUBRICATION SYSTEM

Main Drive Box with Gear Driven Pump • Metro	55
Grease Hose Assembly & Fittings	56
Hi-Duty Fittings	57

SOCKETS

Ink Transfer & Ink Train Dampener	59
Ink Form Roller	60
Solid Shaft Roller	61

TOOLS & ACCESSORIES

Metro-Liner Tools	63
Gregg Plate Bender	64

WASH-UP DEVICES

Pneumatic Washup Device • Metro-Liner I	65
Pneumatic Washup Device • Metro-Liner II	66

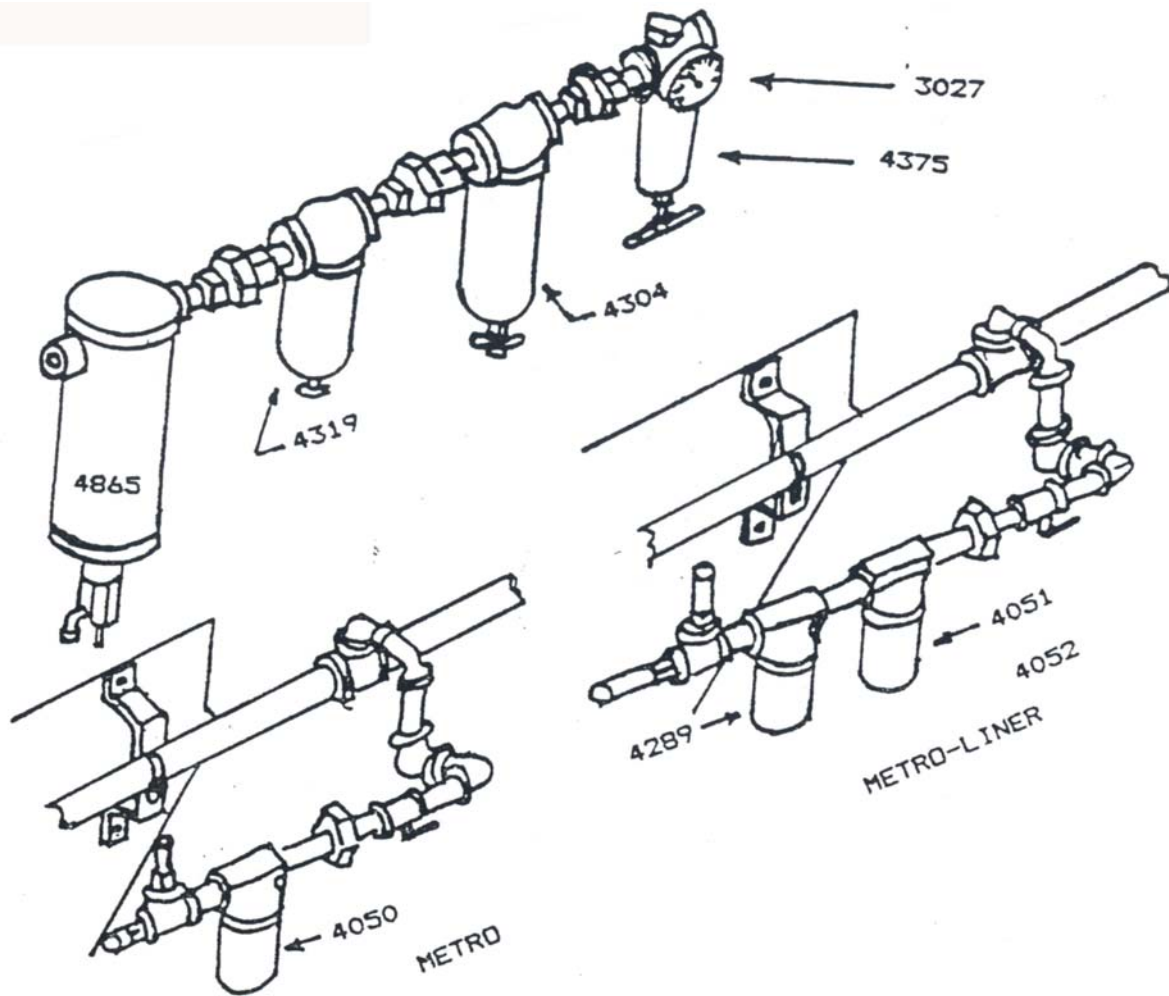
ELECTRICAL SYSTEM

Trolley Assembly	67
Web Break Detectors	68
Electrical Safety System	69
Remote Compensator Control Box • 1 Way	70

www.a-americanpressparts.com

Check our website for updates!

UNIT & HALF-DECK: AIR SYSTEM

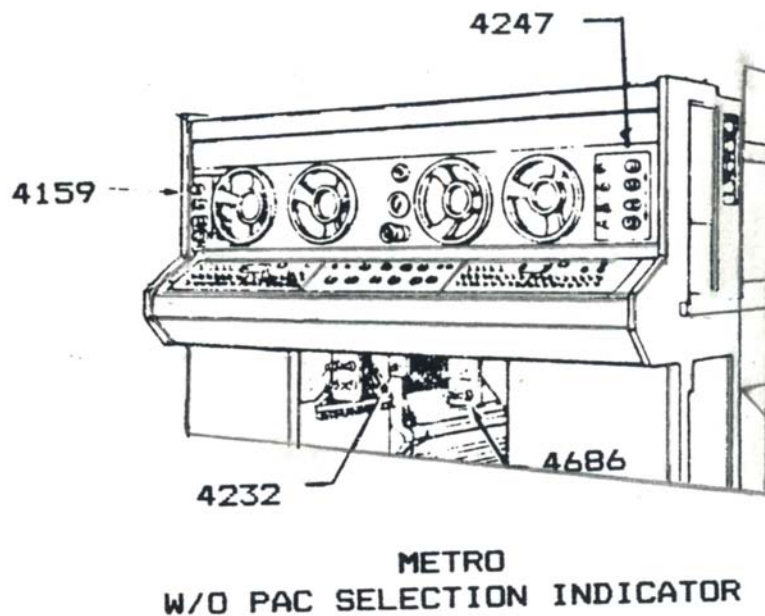
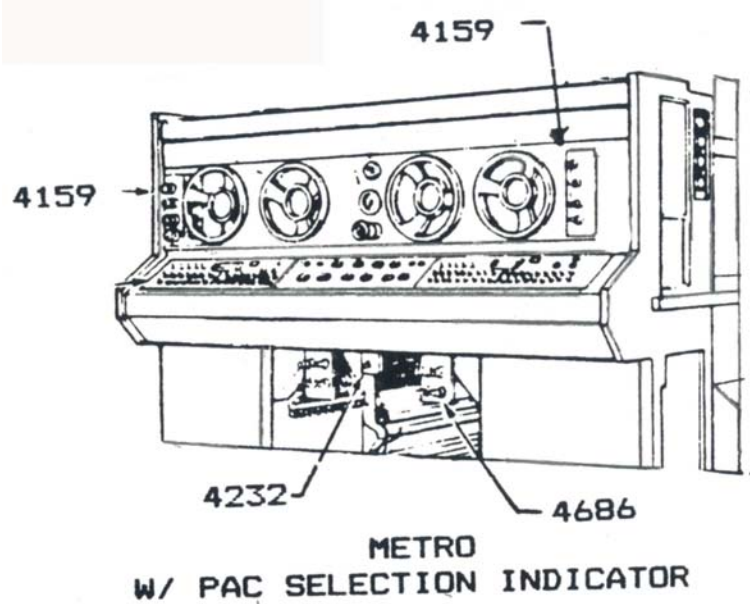


MAIN AIR LINE & UNIT AIR LINE

STOCK NO.	DESCRIPTION	GOSS PART NO.
3027	Air Gage (0-160 lbs.)	771500-0053
4050	Air Lubricator	827900-0036
4051	Air Filter	762901-0101
4052	Filter Element	
4289	Air Lubricator	827900-0036
4304	Air Filter	
4319 *	Coalescing Air Filter	E-005337-0010
4375	Air Regulator	
7865	Air Regulator	

* LATE MODEL PRESSES ONLY

UNIT & HALF-DECK: AIR SYSTEM



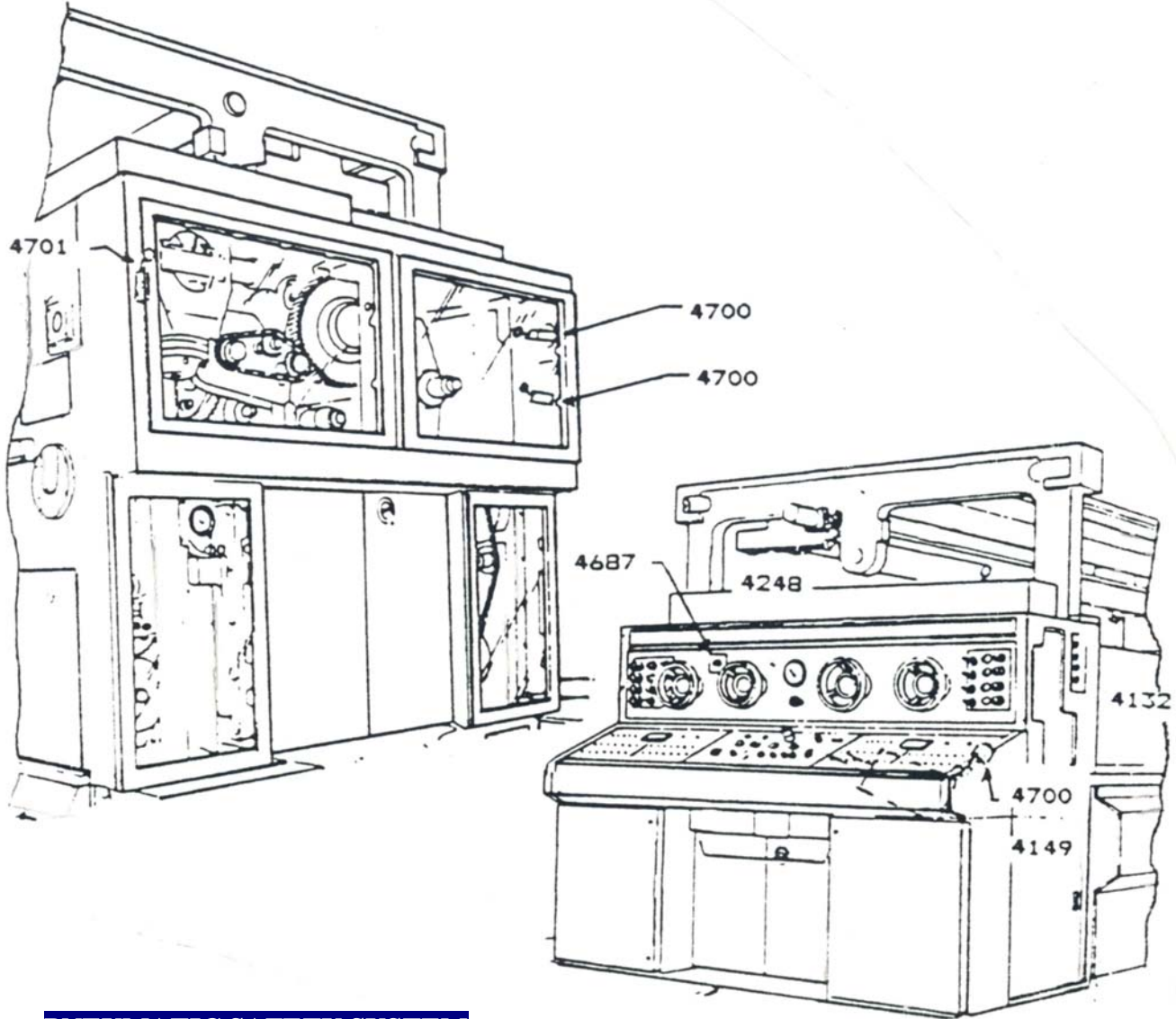
PNEUMATIC SWITCHES & INDICATORS

STOCK NO.	DESCRIPTION	GOSS PART NO.
4159	Pac Selection Air Switch	920512-0006
4232	Wash-Up Air Switch	920512-0008
4686	ITD Flicker Blade Switch	
4687	Finger Guard Indicator	792000-0202

www.a-americanpressparts.com

Check our website for updates!

UNIT & HALF-DECK: AIR SYSTEM

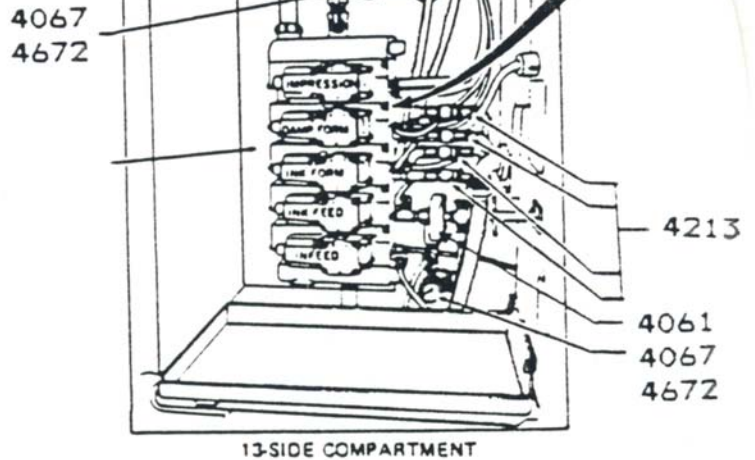
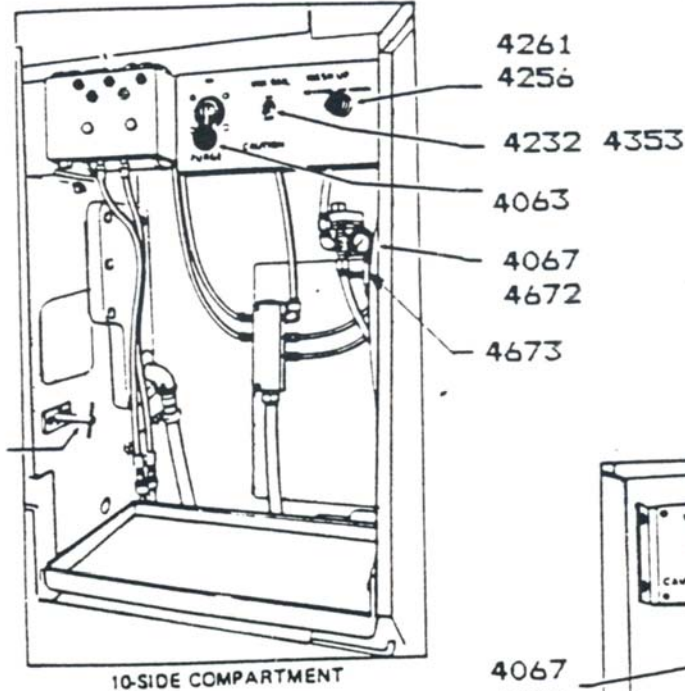


PNEUMATIC SAFETY SYSTEM

STOCK NO.	DESCRIPTION	GOSS PART NO.
4132 *	Air Control Valve	920512-0003
4149	Shuttle Valve	920500-0078
4248	Pressure Switch	899765-0060
4687	Finger Guard Indicator	792000-0202
4700 +	Air Copntrol Valve	920512-0077
4701	Vertical Drive Control Valve	920512-0062

* Mounted Under Finger Guard
 + For 11 & 48 Gear Shifter – Impression Air Cylinder

UNIT & HALF-DECK: AIR SYSTEM



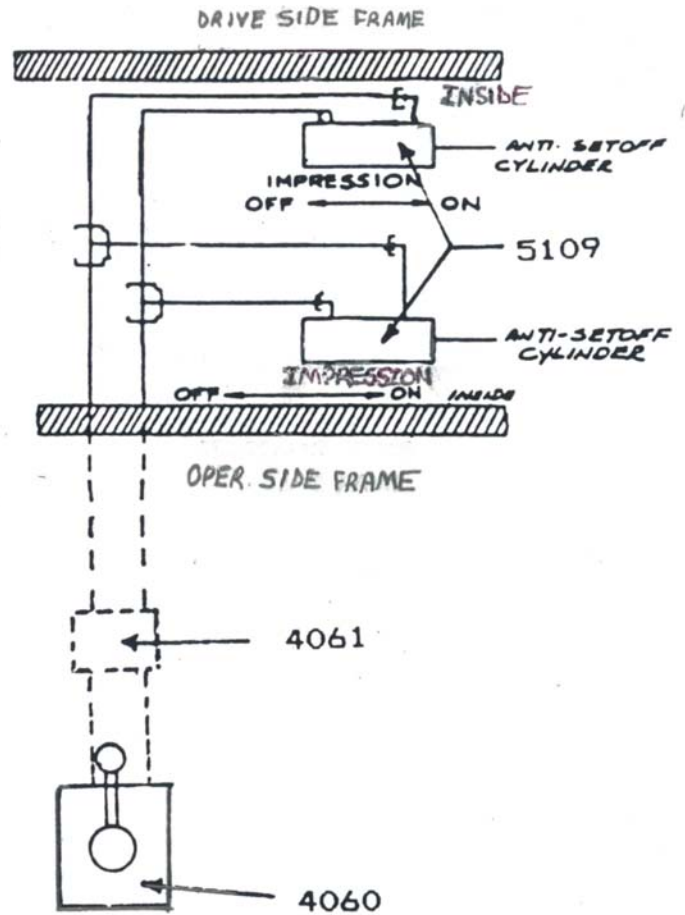
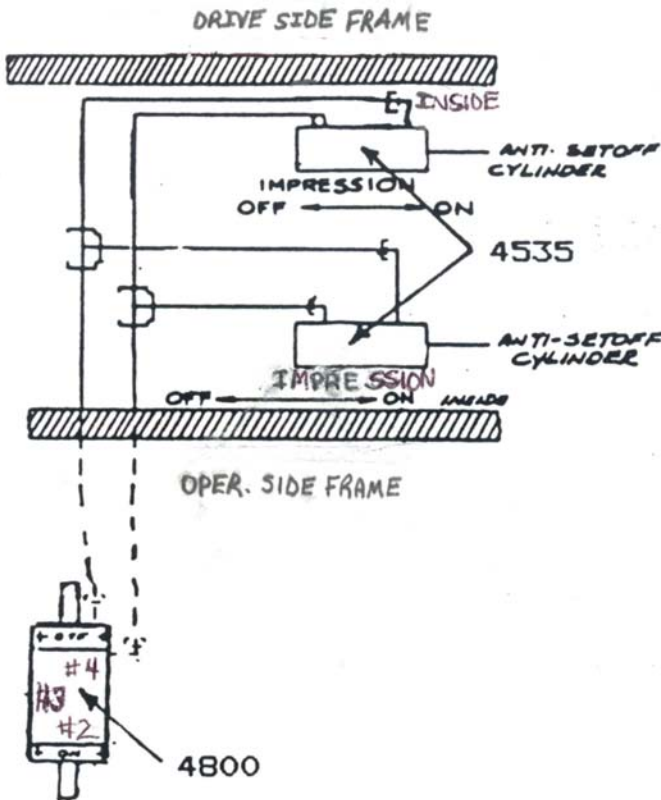
10 & 13 SIDE LEGS - OPERATOR SIDE

STOCK NO.	DESCRIPTION	GOSS PART NO.
4061	Shuttle Valve	920502-0060
4063	Air Switch - Purge Motor	920500-0053
4067	Regulator	822700-2033
4213	Shut-off Valve	920512-0021
4232	Ink Rail Air Switch	920512-0008
4256	Air Switch	920512-0051
4261	Air Switch Controller	771500-0007
4353	Muffler & Speed Control	837500-0027
4672	Air Guage	771529-0311
4673	Flow Control Valve	920555-0621

www.a-americanpressparts.com

Check our website for updates!

UNIT & HALF-DECK: AIR SYSTEM



ANTI-SETOFF PNEUMATIC SYSTEM

STOCK NO.	DESCRIPTION	GOSS PART NO.
4060	Air Switch (Old Style)	920512-0055
4061	Air Shuttle (Old Style)	920502-0060
4535	Air Cylinder (Hi-Lo Cylinder)	116658-0011
4800	Air Switch (New Style)	920502-0074
5109	Air Cylinder (Stationary Cylinder)	116658-0012

www.a-americanpressparts.com

Check our website for updates!

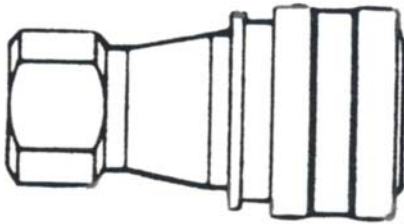
UNIT & HALF-DECK: AIR SYSTEM



CANNISTER AIR HOSE ASSEMBLY

STOCK NO.	DESCRIPTION	GOSS PART NO.
4055	Cannister Air Hose Assy. - 24" lg.	
4056	Cannister Air Hose Assy. - 36" lg.	
4057	Cannister Air Hose Assy. - 48" lg.	
4058	Cannister Air Hose Assy. - 60" lg.	

**** AIR HOSES CAN BE MADE TO CUSTOMER'S SPECIFICATIONS ****



4053











4054

CANNISTER AIR HOSE FITTINGS

STOCK NO.	DESCRIPTION	GOSS PART NO.
4053	Valved Coupling	
4054	Air Feed Valved Nipple	










UNIT & HALF-DECK: AIR SYSTEM

POLY-FLOW FITTINGS

STOCK NO.	DESCRIPTION	GOSS PART NO.
9900	Nut (3/16")	
9901	Nut (1/4")	
9902	Nut (5/16")	
9903	Nut (3/8")	
9904	Nut (1/2")	
9905	Sleeve (3/16")	
9906	Sleeve (1/4")	
9907	Sleeve (5/16")	
9908	Sleeve (3/8")	
9909	Sleeve (1/2")	
9910	Tube Connector (3/16")	
9911	Tube Connector (1/4")	
9912	Tube Connector (5/16")	
9913	Tube Connector (3/8")	
9914	Tube Connector (1/2")	
9915	Male Connector (3/16" x 1/8" MPT)	
9916	Male Connector (1/4" x 1/8" MPT)	
9917	Male Connector (1/4" x 1/4" MPT)	
9918	Male Connector (5/16" x 1/8" MPT)	
9919	Male Connector (3/8" x 1/8" MPT)	
9920	Male Connector (3/8" x 1/4" MPT)	
9921	Male Connector (1/2" x 3/8" MPT)	
9922	Male Elbow (3/16" x 1/8" MPT)	
9923	Male Elbow (1/4" x 1/8" MPT)	
9924	Male Elbow (5/16" x 1/8" MPT)	
9925	Male Elbow (3/8" x 1/8" MPT)	
9926	Male Elbow (3/8" x 1/4" MPT)	
9927	Male Elbow (1/2" x 3/8" MPT)	
9928	Tube Connector Tee (3/16")	
9929	Tube Connector Tee (1/4")	
9930	Tube Connector Tee (5/16")	
9931	Tube Connector Tee (3/8")	
9932	Tube Connector Tee (1/2")	
9933	Male Branch Tee (3/16" x 1/8" MPT)	
9934	Male Branch Tee (1/4" x 1/8" MPT)	
9935	Male Branch Tee (5/16" x 1/8" MPT)	
9936	Male Branch Tee (3/8" x 1/8" MPT)	
9937	Male Branch Tee (3/8" x 1/8" MPT)	
9940	Quick Disconnect (5/16" Tube x 1/8" MPT)	

UNIT & HALF-DECK: AIR SYSTEM

LEGRIS FITTINGS

STOCK NO.	DESCRIPTION	GOSS PART NO.
9700	Union (1/4" Tube) 	
9701	Union Tee (1/4" Tube) 	
9702	Union Elbow (1/4" Tube) 	
9703	Double Male Union (1/4" Tube) 	
9704	Male Connector (1/4" Tube x 1/8" MPT)	
9705	Male Connector (1/4" Tube x 1/4" MPT)	
9706	Bulkhead Union (1/4" Tube) 	
9707	Male Elbow (1/4" Tube x 1/8" MPT)	
9708	Male Elbow (1/4" Tube x 1/4" MPT)	
9709	Male Run Tee (1/4" Tube x 1/8" MPT)	
9710	Male Run Tee (1/4" Tube x 1/4" MPT)	
9711	Male Branch Tee (1/4" Tube x 1/8" MPT)	
9712	Male Branch Tee (1/4" Tube x 1/4" MPT)	

**** ALL SIZES AVAILABLE ****

UNIT & HALF-DECK: AIR SYSTEM

HI-DUTY FITTINGS

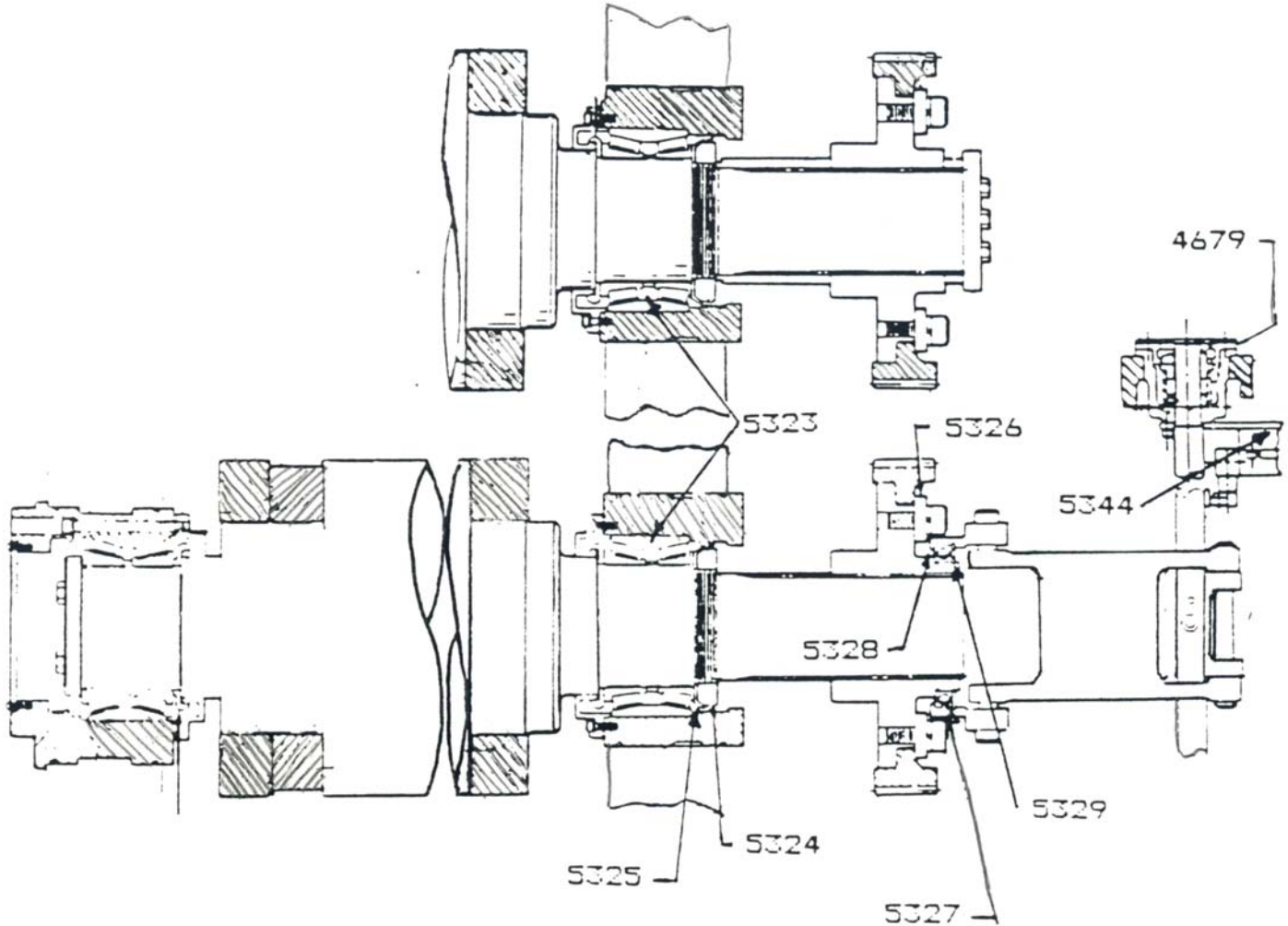
STOCK NO.	DESCRIPTION	GOSS PART NO.
9800	Nut (3/16" Tube)	
9801	Nut (1/4" Tube)	
9802	Nut (5/16" Tube)	
9803	Nut (3/8" Tube)	
9804	Nut (1/2" Tube)	
9805	Nut (5/8" Tube)	
9806	Nut (3/4" Tube)	
9807	Union (3/16" Tube)	
9808	Union (1/4" Tube)	
9809	Union (5/16" Tube)	
9810	Union (3/8" Tube)	
9811	Union (1/2" Tube)	
9812	Union (5/8" Tube)	
9813	Union (3/4" Tube)	
9814	Male Connector (3/16" Tube x 1/8" MPT)	
9815	Male Connector (1/4" Tube x 1/8" MPT)	
9816	Male Connector (5/16" Tube x 1/8" MPT)	
9817	Male Connector (3/8" Tube x 1/8" MPT)	
9818	Male Connector (3/8" Tube x 1/4" MPT)	
9819	Male Connector (1/2" Tube x 1/2" MPT)	
9820	Male Connector (5/8" Tube x 1/2" MPT)	
9821	Male Connector (3/4" Tube x 1/2" MPT)	
9822	Male Elbow (3/16" Tube x 1/8" MPT)	
9823	Male Elbow (1/4" Tube x 1/8" MPT)	
9824	Male Elbow (5/16" Tube x 1/8" MPT)	
9825	Male Elbow (3/8" Tube x 1/8" MPT)	
9826	Male Elbow (3/8" Tube x 1/4" MPT)	
9827	Male Elbow (3/8" Tube x 3/8" MPT)	
9828	Male Elbow (1/2" Tube x 1/4" MPT)	
9829	Male Elbow (1/2" Tube x 3/8" MPT)	
9830	Union Tee (3/16" Tube)	
9831	Union Tee (1/4" Tube)	
9832	Union Tee (5/16" Tube)	
9833	Union Tee (3/8" Tube)	
9834	Union Tee (1/2" Tube)	
9835	Union Tee (5/8" Tube)	
9836	Union Tee (3/4" Tube)	
9837	Male Branch Tee (3/16" Tube x 1/8" MPT)	
9838	Male Branch Tee (1/4" Tube x 1/8" MPT)	
9839	Male Branch Tee (5/16" Tube x 1/8" MPT)	
9840	Male Branch Tee (3/8" Tube x 1/8" MPT)	
9841	Male Branch Tee (3/8" Tube x 1/4" MPT)	



1-888-434-0888
TOLL FREE

UNIT & HALF-DECK: NOTES

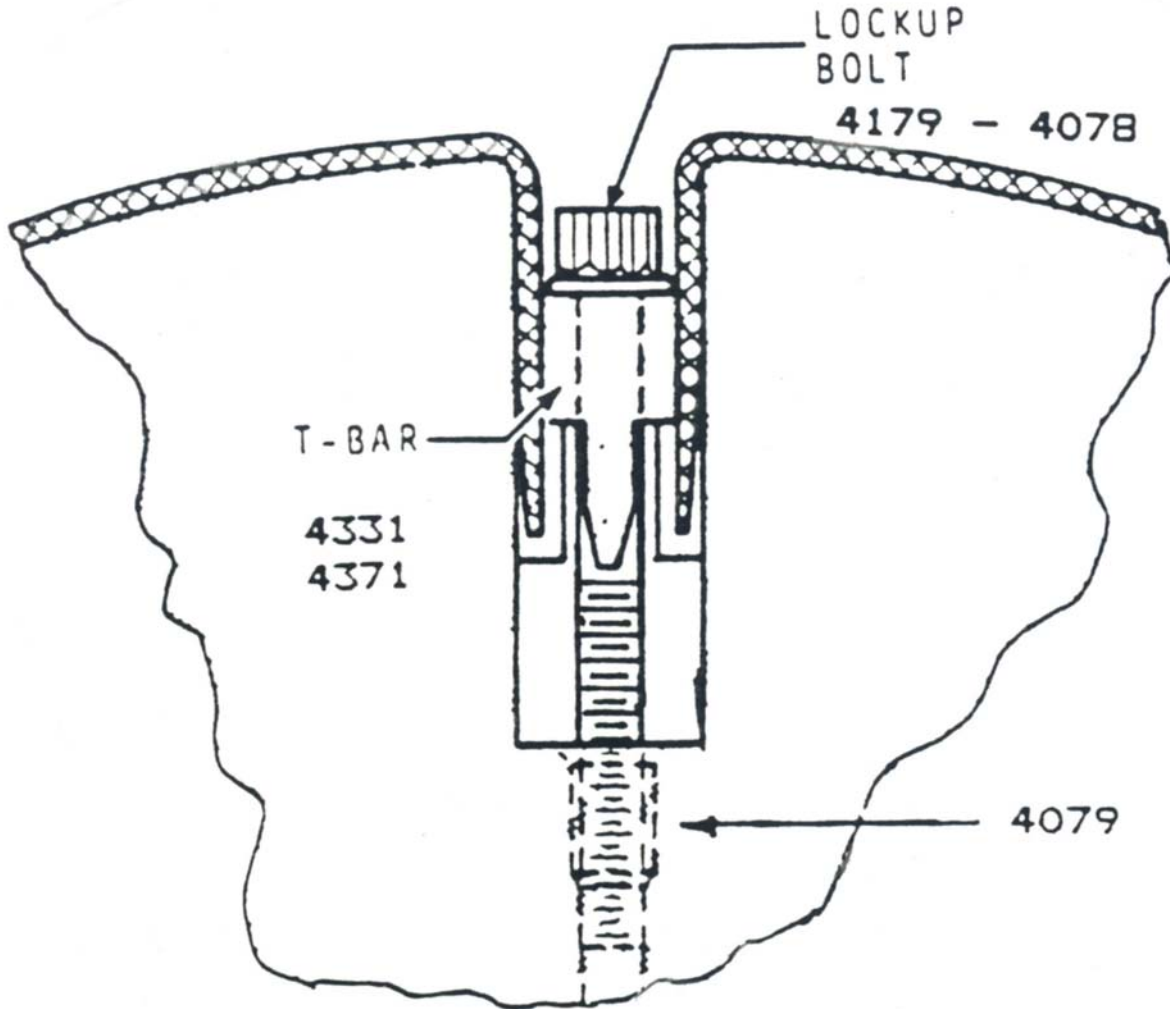
UNIT & HALF-DECK: CYLINDERS



BANKET CYLINDER ASSEMBLY • SILENCING & NON-SILENCING

STOCK NO.	DESCRIPTION	GOSS PART NO.
4679	Plate	C-067847-0001
5323	Bearing	722673-1622
5324	Lock Nut	826305-0126
5325	Lock Washer	826672-0126
5326	Washer	AR-000477-0001
5327	Bearing	722605-0040
5328	Retainer	885470-0134
5329	Retainer	885470-0245
5344	Air Limit Switch	750512-0070

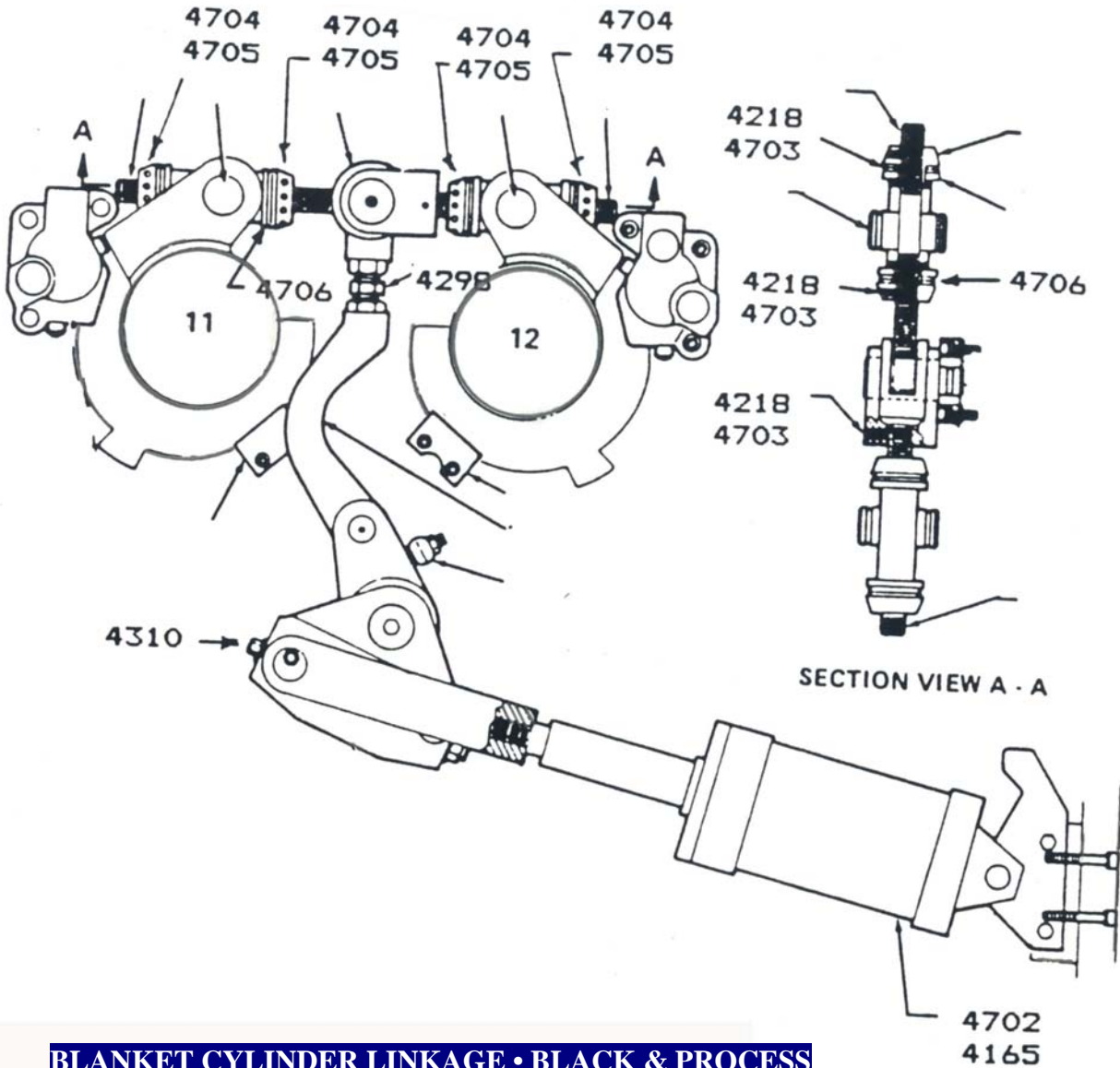
UNIT & HALF-DECK: CYLINDERS



BLANKET CYLINDER LOCK-UP

STOCK NO.	DESCRIPTION	GOSS PART NO.
4078	Blanket Bolt for #4371	
4079	Heli-Coil	794041-2010
4179	Blanket Hod-Down Screw	B-127100-0001
4331	T-Bar - Standard	C-088603-0001
4371	T-Bar - Narrow Gap	

UNIT & HALF-DECK: CYLINDERS



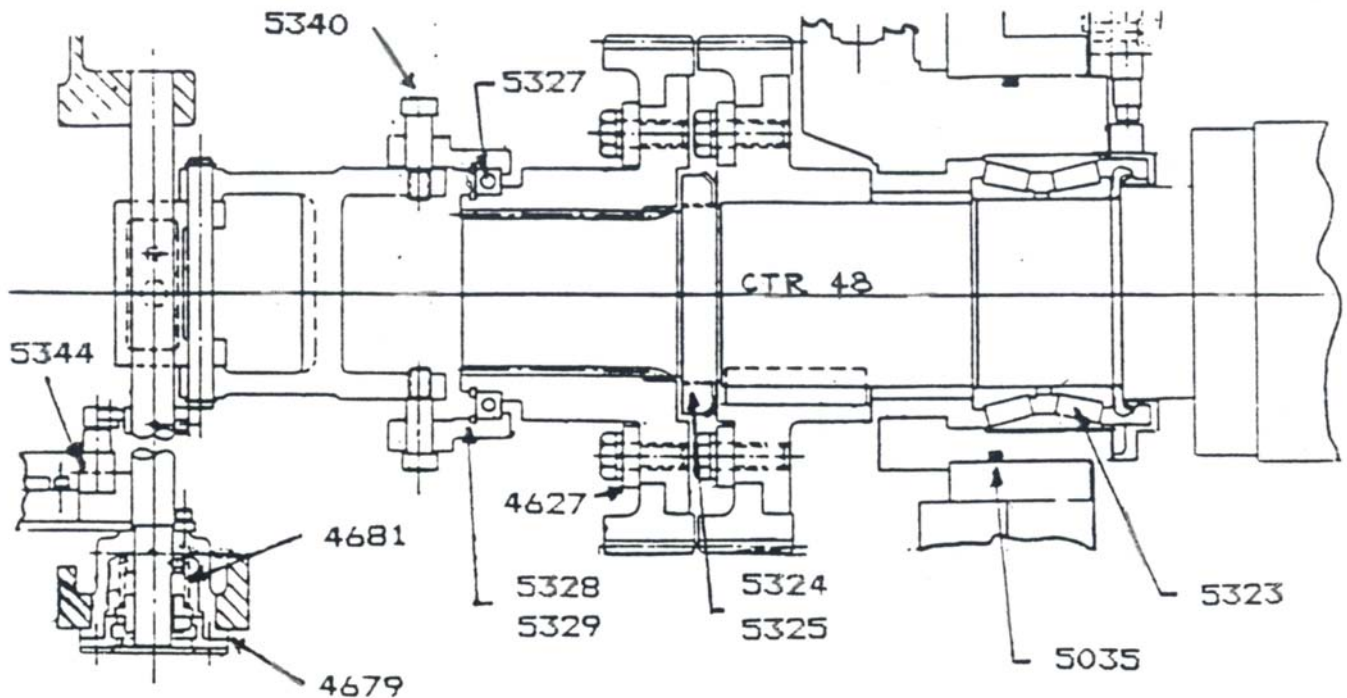
BLANKET CYLINDER LINKAGE • BLACK & PROCESS

STOCK NO.	DESCRIPTION	GOSS PART NO.
4165	Air Cylinder	739902-0016
4218	Set Screw	891214-1921
4298	Turnbuckle	B-128494-0001
4310	Change-over Screw	B-116290-0001
4702	Air Cylinder	739902-0016
4703	Nylon Plug	865500-0335
4704	Nut - 13-11/16" Press	B-145913-0001
4705	Nut -014-1/32 to 15" Press	B-139715-0001
4706	Spring Disc	897015-2700

www.a-americanpressparts.com

Check our website for updates!

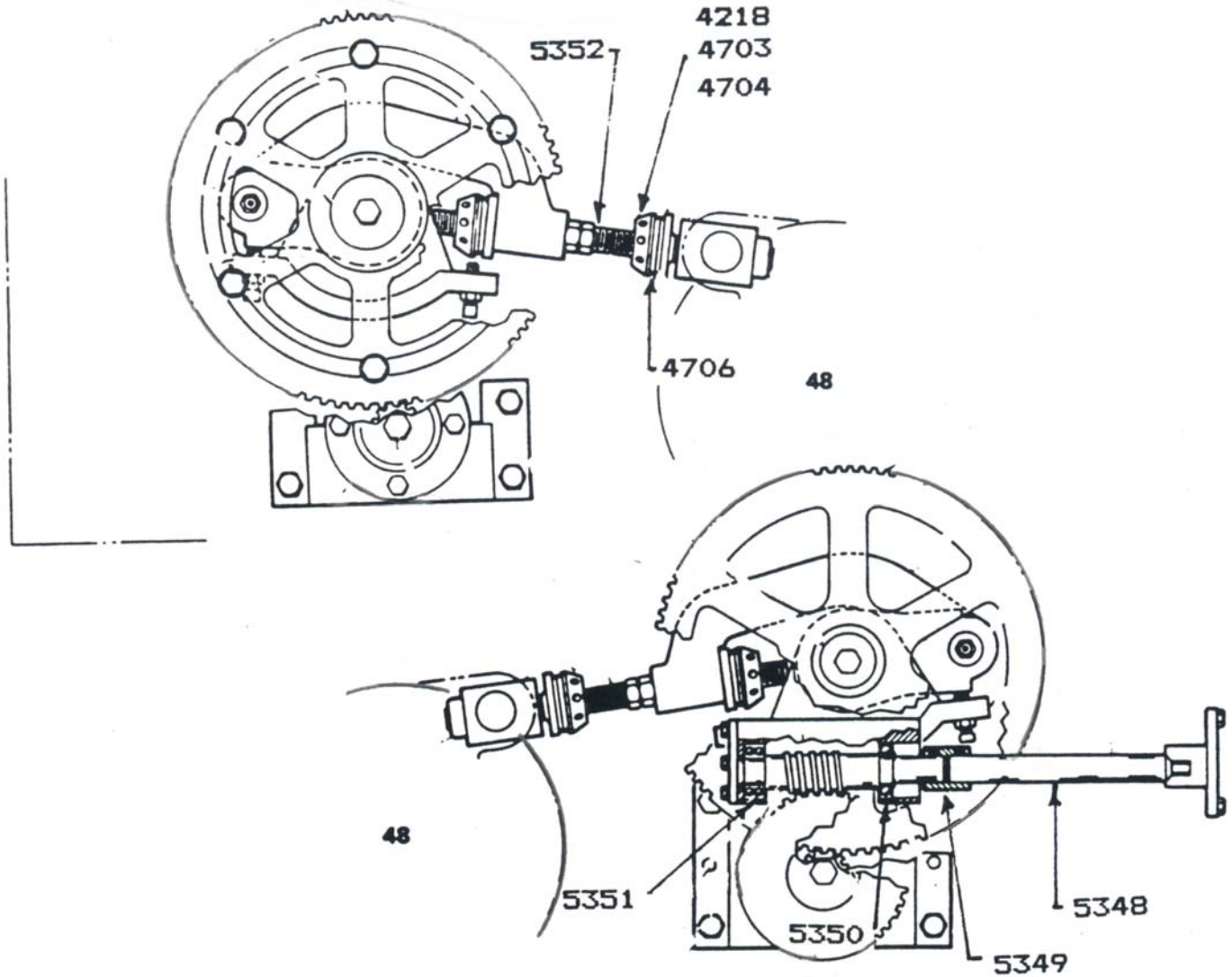
UNIT & HALF-DECK: CYLINDERS



COMMON IMPRESSION CYLINDERS

STOCK NO.	DESCRIPTION	GOSS PART NO.
4627	Washer	AR-001504-0001
4679	Plate	C-067847-0001
4681	Spring	B-116196-0001
5035	O-Ring	C-040162-0275
5323	Bearing	722673-1622
5324	Lock Nut	826305-0126
5325	Lock Washer	826672-0126
5327	Bearing	722605-0040
5328	Retainer	885470-0134
5329	Retainer	885470-0245
5340	Shoulder Screw	891232-7415
5344	Switch	720512-0077

UNIT & HALF-DECK: CYLINDERS



COMMON LIFT CYLINDER ASSEMBLY

STOCK NO.	DESCRIPTION	GOSS PART NO.
4218	Nylock Set Screw	891214-1921
4703	Nylock Plug	865500-0335
4704	Nut - 14-1/2" to 15" Press	B-139715-0001
4706	Spring Disc	897015-2700
5348	Shaft	C-088643-0001
5349	Coupling	B-139862-0001
5350	Bearing	C-040104-6206
5351	Bearing	722605-2789
5352	Throwoff Shaft	B-139712-0004

www.a-americanpressparts.com

Check our website for updates!

UNIT & HALF-DECK: CYLINDERS

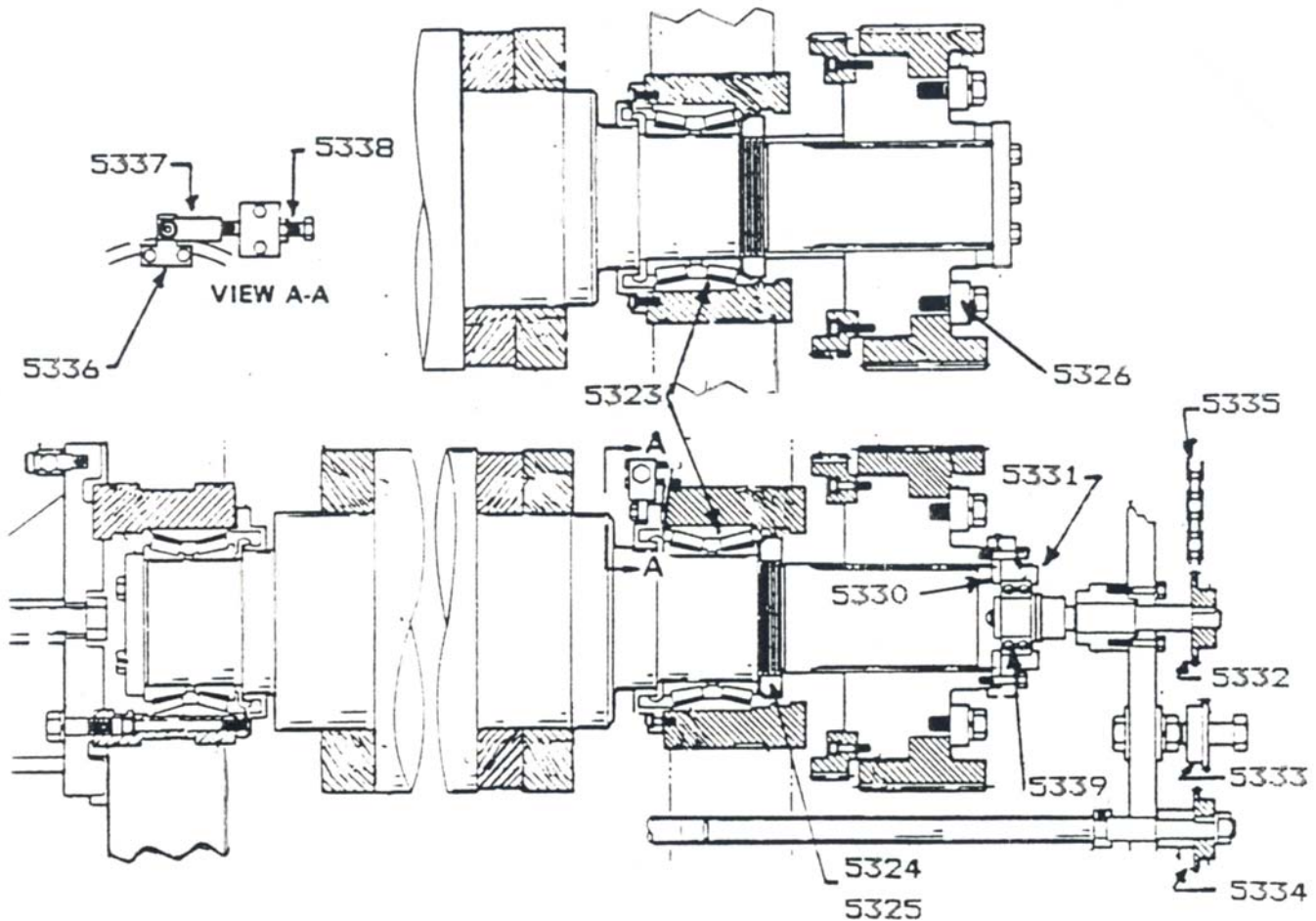


PLATE CYLINDER ASSY. • W/ & W/OUT CIRCUM & SIDELAY

STOCK NO.	DESCRIPTION	GOSS PART NO.
5323	Bearing	722673-1622
5324	Lock Nut	826305-0126
5325	Lock Washer	826672-0126
5326	Washer	AR-000477-0001
5330	Spacer	B-114123-0001
5331	Cap	B-118401-0000
5332	Sprocket	B-116054-0001
5333	Sprocket	B-116052-0001
5334	Sprocket	B-116051-0001
5335	Chain	732404-1055
5336	Link	C-096920-0001
5337	Clevis	C-096921-0001
5338	Adjusting Screw	B-146493-0001
5339	Bearing	C-040106-5208

www.a-americanpressparts.com

Check our website for updates!

UNIT & HALF-DECK: CYLINDERS

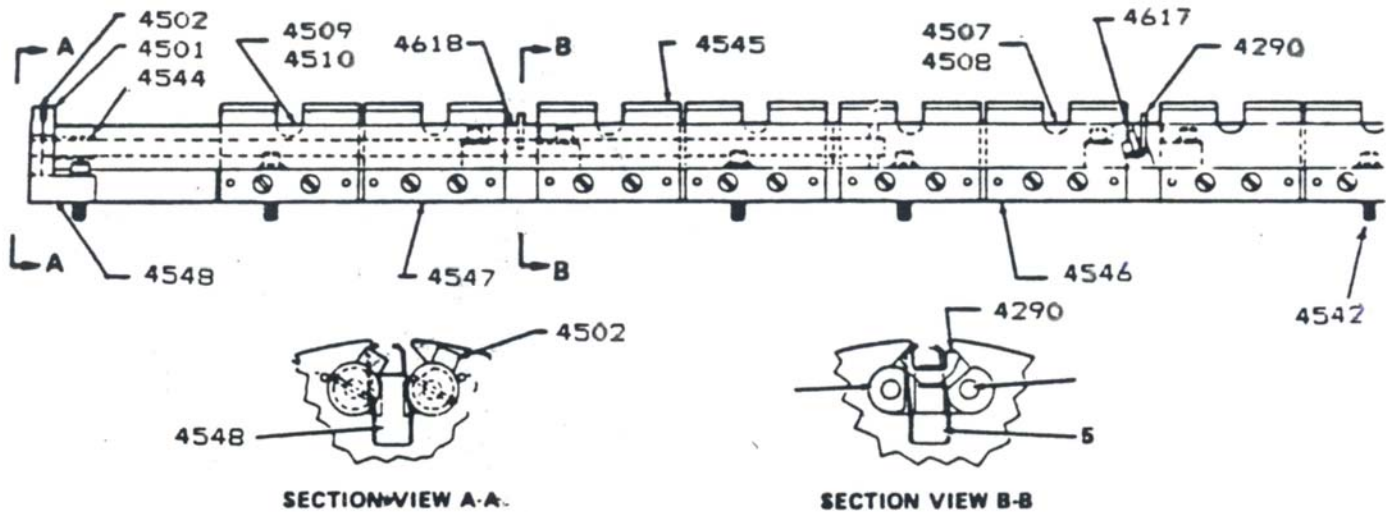


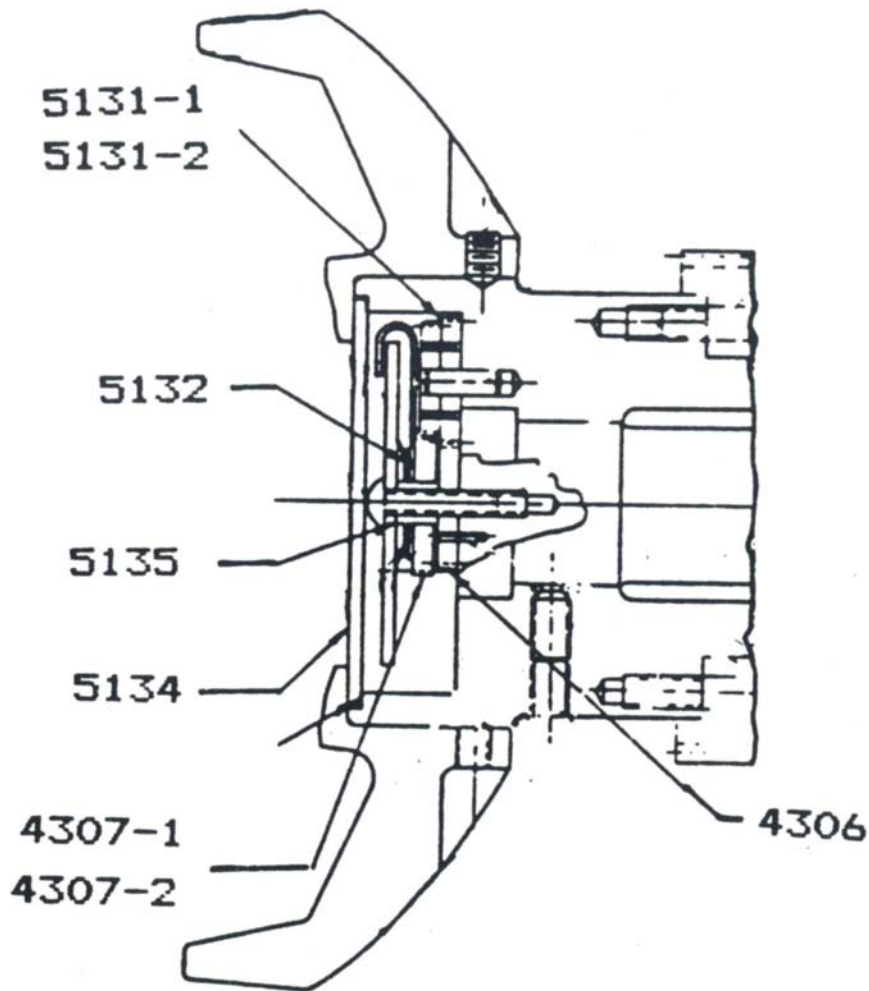
PLATE CYLINDER LOCK-UP ASSEMBLY

STOCK NO.	DESCRIPTION	GOSS PART NO.
4290	Register Pin	B-138569-0002
4501	Lug (Inner)	B-136135-0001
4502	Lug (Outer)	B-136134-0001
4507	Outer Shaft (58" - 60" Web)	B-134735-0011
4508	Outer Shaft (60" - 62" Web)	B-134735-0012
4509	Inner Shaft Assembly (58" - 60" Web)	B-134752-0001 & 11
4510	Inner Shaft Assembly (60" - 62" Web)	B-134752-0002 & 12
4542	Screw for Support Bar	891201-6491
4544	Bushing	729457-0029
4546	Lock-up Spring Holder	C-098347-0001
4547	Lock-up Spring Holder	C-098348-0004
4548	Lock-up Stop	B-147081-0001
4617	Register Bracket Screw	B-138617-0004
4618	Register Bracket Support	B-147342-0001

www.a-americanpressparts.com

Check our website for updates!

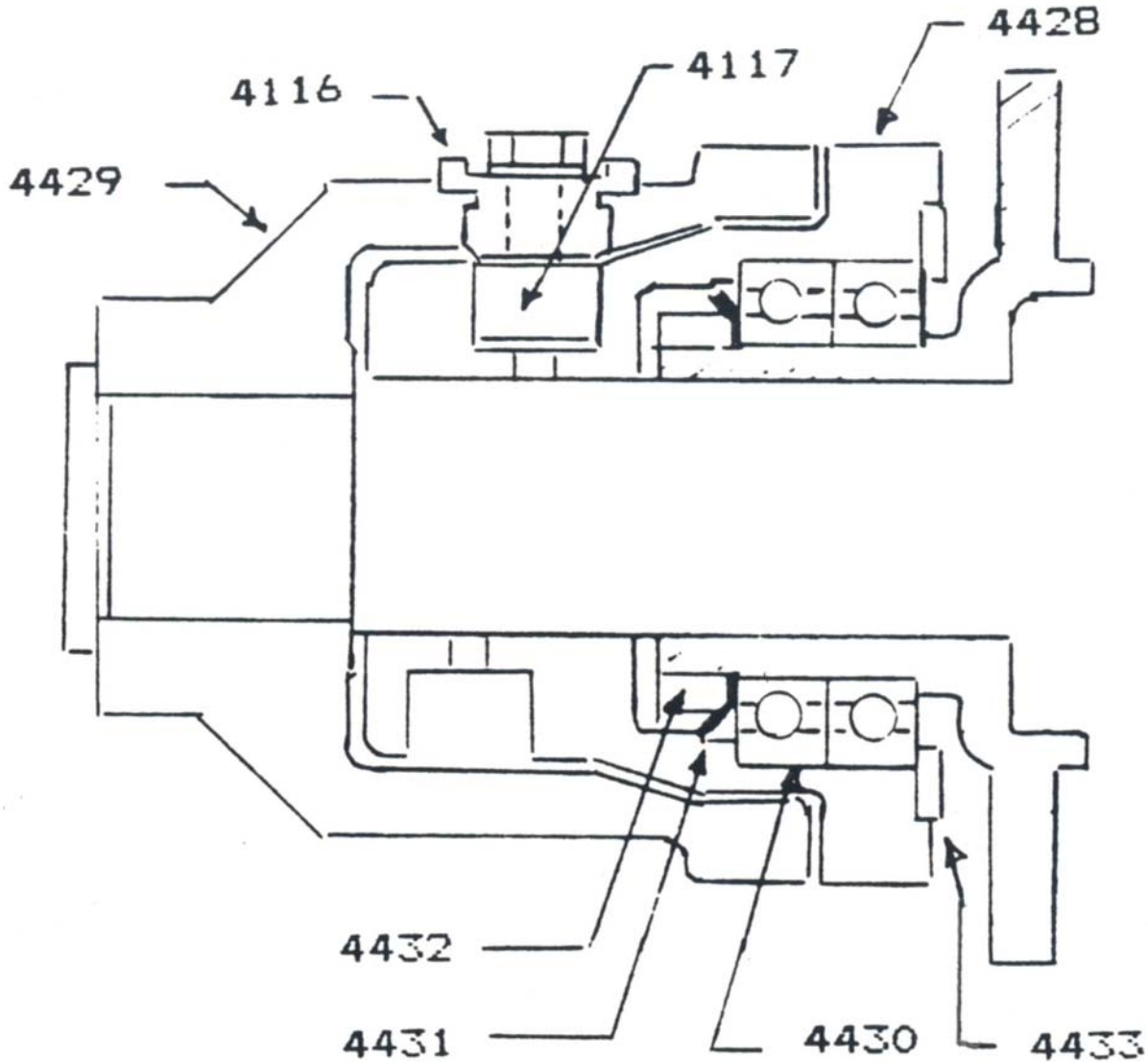
UNIT & HALF-DECK: CYLINDERS



MANUAL CIRCUMFERENTIAL & SIDELAY

STOCK NO.	DESCRIPTION	GOSS PART NO.
4306	Gear (36 teeth)	B-115963-0001
4307-1	Gear & Pointer (37 teeth)	B-012197-0000
4307-2	Gear & Pointer (40 teeth)	B-115878-0001
5131-1	Gear - Circum. Assy	B-115681-0001
5131-2	Gear - Sidelay Assy.	B-125196-0001
5132	Spring	897000-0275
5133	Oilite Bushing	729457-1058
5134	Window	B-115879-0001

UNIT & HALF-DECK: CYLINDERS



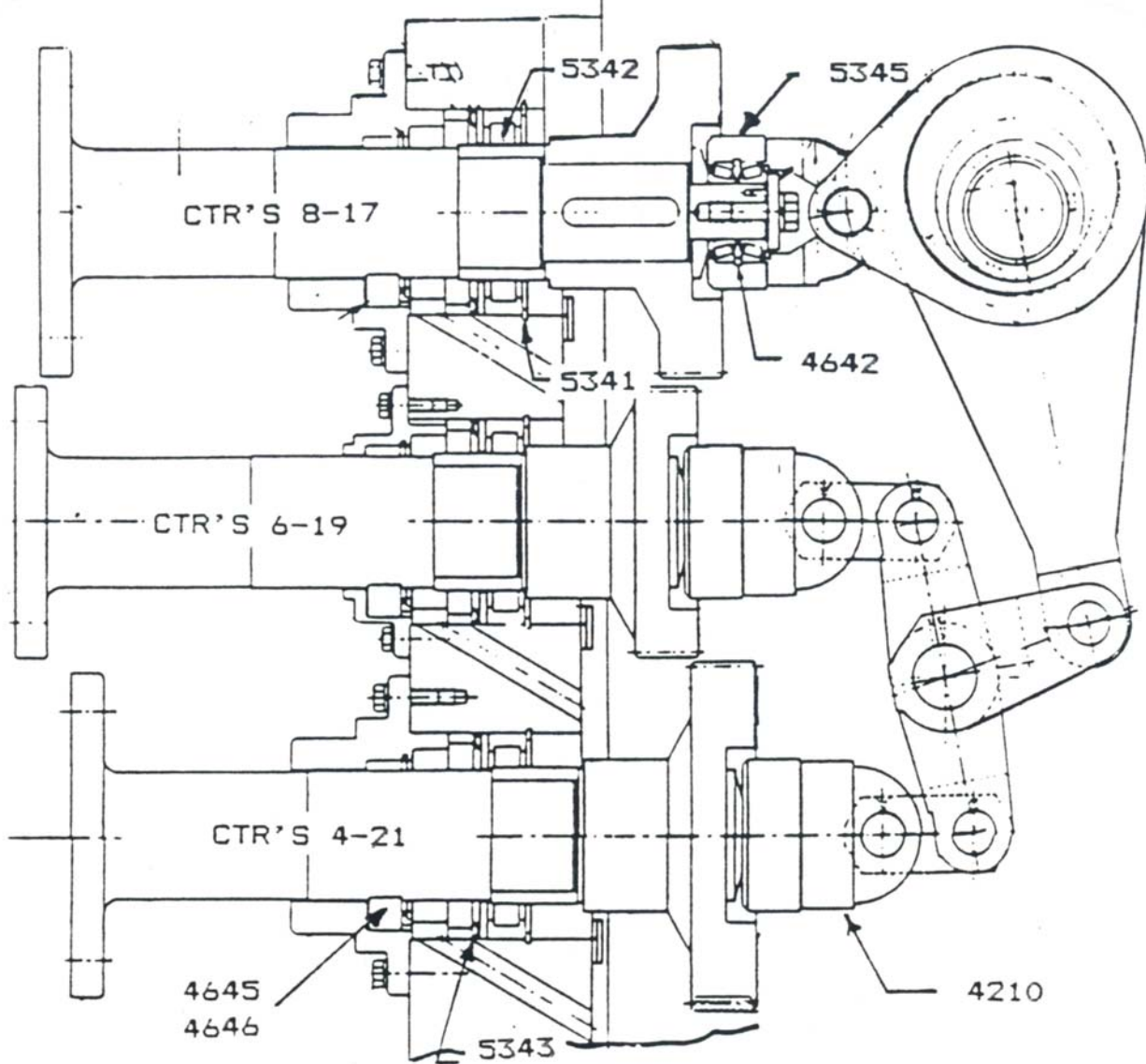
WATER DRUM VIBRATOR

STOCK NO.	DESCRIPTION	GOSS PART NO.
4116	Adapter	B-123928-0001
4117	Cam Follower	766509-1014
4428	Cam	D-023658-0001
4429	Cam Gear	C-073925-0001
4430	Bearing	722605-0226
4431	Lock Washer	C-040124-0113
4432	Lock Nut	C-040123-0113
4433	End Plate	B-123962-0001

www.a-americanpressparts.com

Check our website for updates!

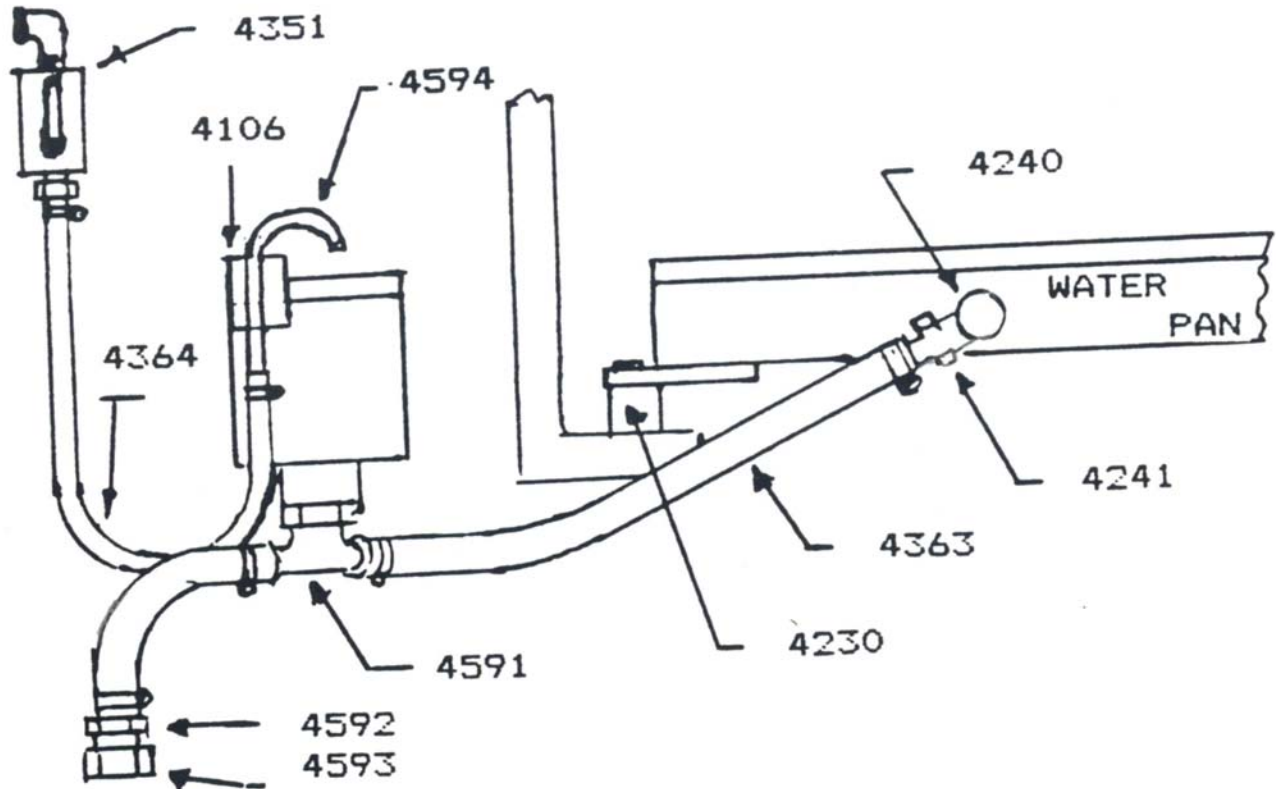
UNIT & HALF-DECK: CYLINDERS



VIBRATED DRUM

STOCK NO.	DESCRIPTION	GOSS PART NO.
4210	Vibrator Link Bracket	C-080006-0001
4642	Bearing	B-116354-0001
4645	Oil Wiper	B-130953-0001
4646	Oil Wiper Spring	B-130954-0001
5341	Retainer	885470-0575
5342	Bearing	722673-0201
5343	Wave Washer	930881-0120
5345	Bearing Retainer	B-135394-0001

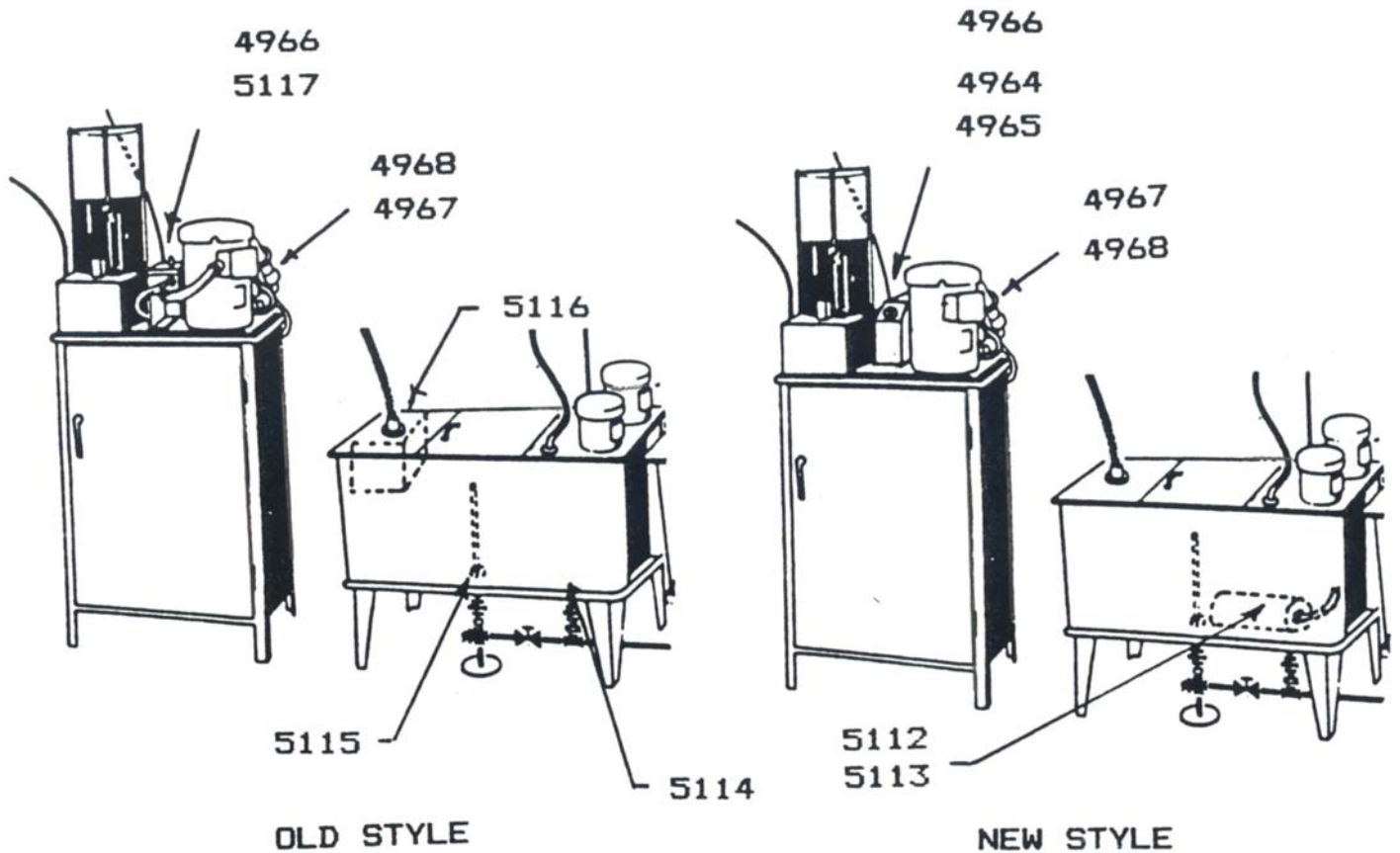
UNIT & HALF-DECK: DAMPENER SYSTEM



SPIRAL BRUSH WATER SYSTEM

STOCK NO.	DESCRIPTION	GOSS PART NO.
4106	Spring Clip	B-128203-0001
4230	Pan Mount	836068-0006
4240	Elbow	075300-0062
4241	Hose Coupling	737840-0206
4351	Feed Valve	920505-1000
4363	Tubing	908400-0091
4364	Feed Tubing	908400-0092
4591	Hose Tee	902063-0203
4592	Hose Coupling	737840-0320
4593	Nylon Pipe Cap	731061-0115
4594	Fill Tube	B-153525-0001

UNIT & HALF-DECK: DAMPENER SYSTEM



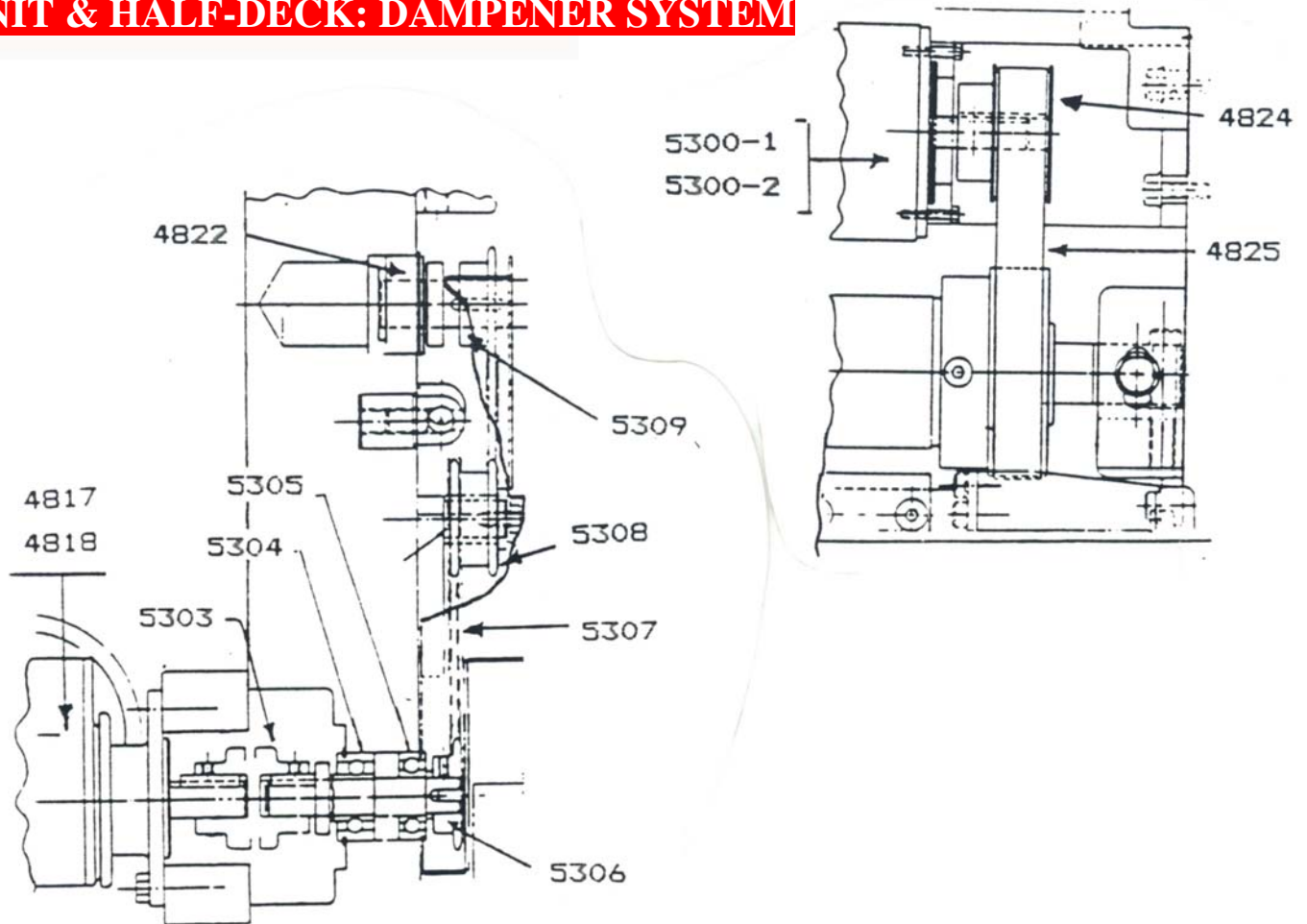
BALDWIN AUTO MIX & CIRCULATOR

STOCK NO.	DESCRIPTION	GOSS PART NO.
4964	Switch	
4965	Contact	
4966	Limit Switch	
4967	Y Filter Screen	
4968	Solenoid	
5112	Super Full-flo Filter Screen	
5113	Round Filter (for 5112)	
5114	Tank Fitting Assembly	
5115	Tank Fitting Assy- Manual Drain	
5116	Square Basket Filter	
5117	Switch	

www.a-americanpressparts.com

Check our website for updates!

UNIT & HALF-DECK: DAMPENER SYSTEM



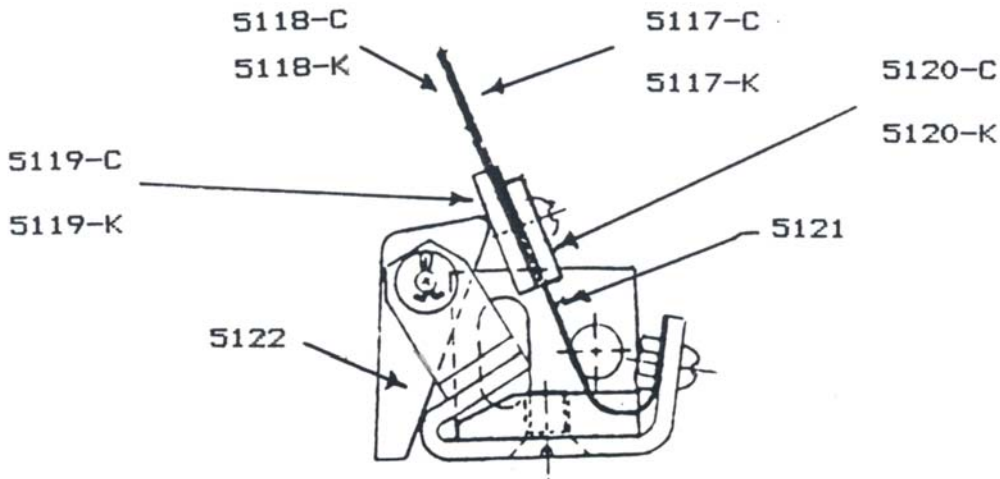
SPIRAL BRUSH ASSEMBLY • UNIT

STOCK NO.	DESCRIPTION	GOSS PART NO.
4817	Motor & Drive Box - Pan Roller, 10S	E-007759-0001
4818	Motor & Drive Box - Pan Roller, 13S	E-007759-0002
4822	Pan Roller Bearing	722600-0072
4824	Motor Pulley	B-153484-0001
4825	Timing Belt	723675-0596
5300-1	Brush Motor - 10 Side	D-038610-0002
5300-2	Brush Motor - 13 Side	D-038610-0001
5303	Coupling	727832-0023
5304	Bearing	772600-0030
5305	Bearing	722600-2307
5306	Jackshaft Sprocket	B-153502-0001
5307	Drive Chain	732403-0002
5308	Idler Sprocket	C-110946-0001
5309	Pan roller Sprocket	B-153503-0001

www.a-americanpressparts.com

Check our website for updates!

UNIT & HALF-DECK: DAMPENER SYSTEM

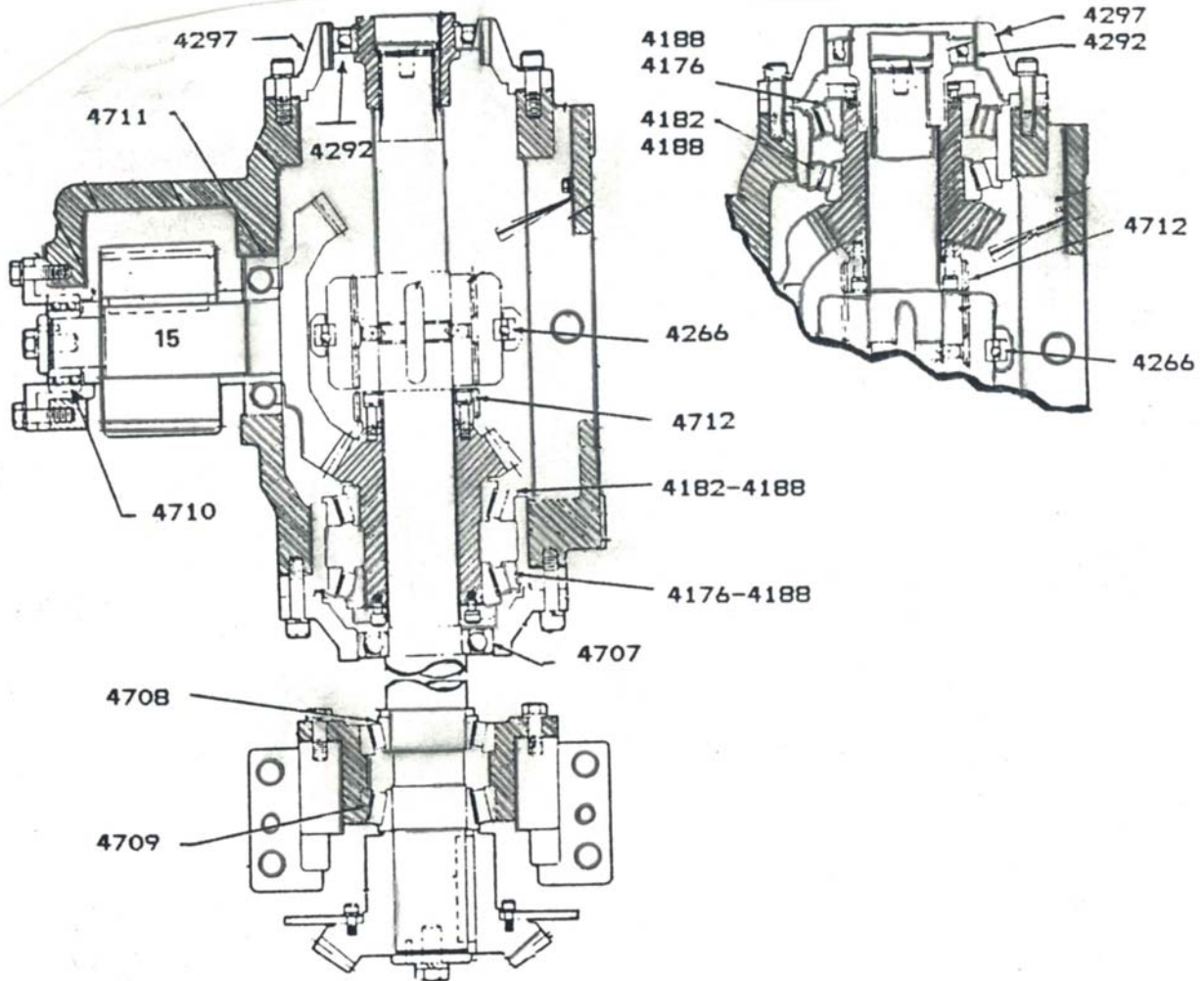


WATER STOP ASSEMBLY

STOCK NO.	DESCRIPTION	GOSS PART NO.
5121	Spring	B-152853-0002
5122	Water Stop Cam	B-152852-0001
5117-C	Teflon Wiper Blade	C-108032-0003
5117-K	Teflon Wiper Blade	C-108032-0011
5118-C	Backup Spring Blade	C-108033-0003
5118-K	Backup Spring Blade	C-108033-0011
5119-C	Support Blade	C-108031-0003
5119-K	Support Blade	C-108031-0011
5120-C	Support Blade	C-108657-0003
5120-K	Support Blade	C-108657-0011

**** ALL SIZE BLADES AVAILABLE ****

UNIT & HALF-DECK: DRIVE SYSTEM



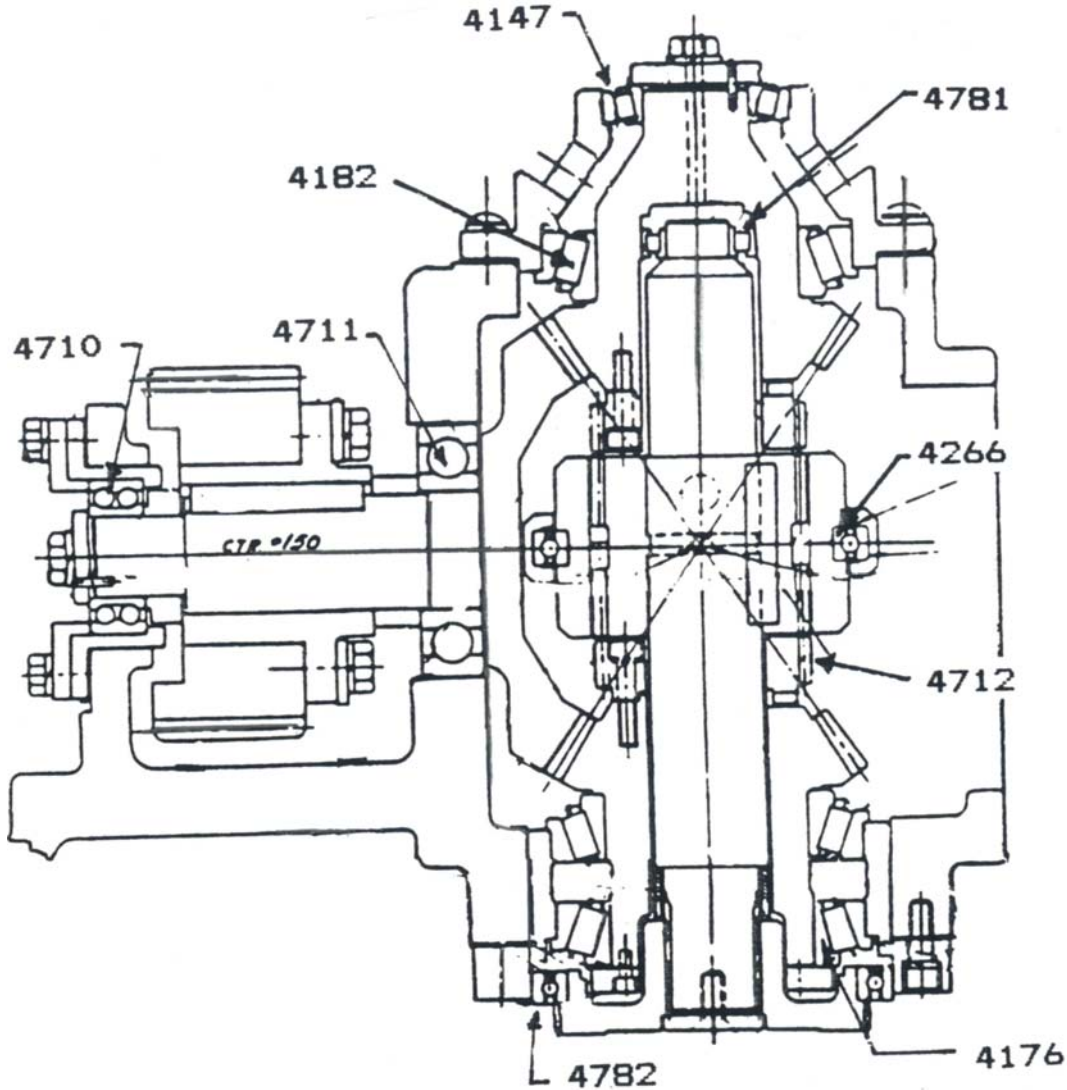
VERTICAL DRIVE • REVERSE & NON-REVERSE

STOCK NO.	DESCRIPTION	GOSS PART NO.
4176	Bearing	722673-1572
4182	Bearing	722673-1574
4188	Bearing Cup for # 4182, 4176	
4192	Bearing	722605-0229
4266	Bearing	722605-0040
4297	Plate Upper Bracket	B-126234-0001
4707	Bearing	C-040100-6213
4708	Bearing	722673-1475
4709	Bearing	722673-2050
4710	Bearing	C-040106-5209
4711	Bearing	C-040101-6313
4712	Gear Clutch	C-066199-0001

www.a-americanpressparts.com

Check our website for updates!

UNIT & HALF-DECK: DRIVE SYSTEM



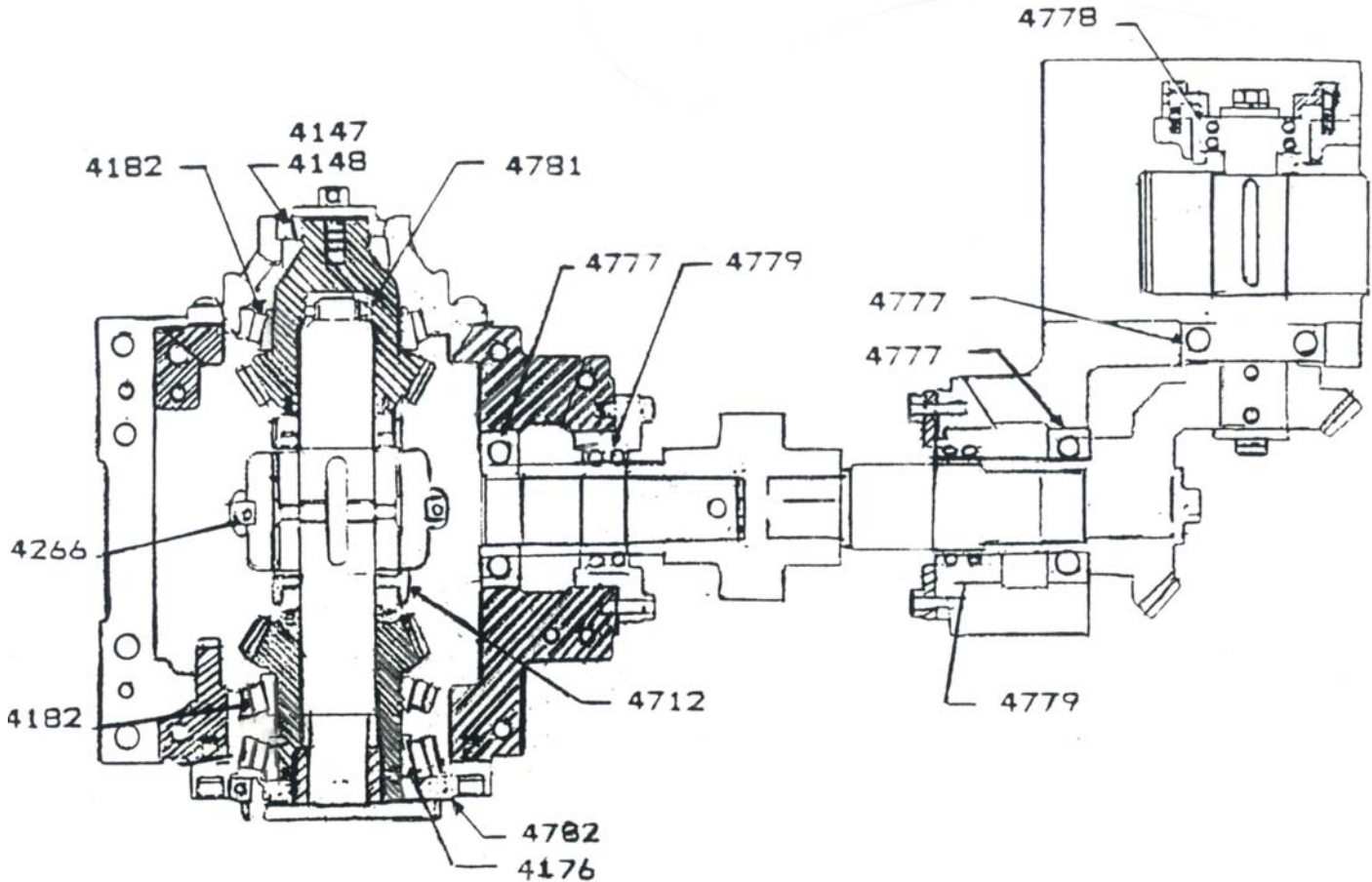
VERTICAL & HORIZONTAL DRIVE • 13 SIDE DECK

STOCK NO.	DESCRIPTION	GOSS PART NO.
4147	Bearing & Cup	722673-1048
4176	Bearing	722673-1572
4182	Bearing	722673-1574
4266	Bearing	722605-0040
4710	Bearing	722605-2009
4711	Bearing	722605-2014
4712	Gear Clutch	C-066199-0001
4781	Bearing	722673-0180
4782	Bearing	722605-0041

www.a-americanpressparts.com

Check our website for updates!

UNIT & HALF-DECK: DRIVE SYSTEM



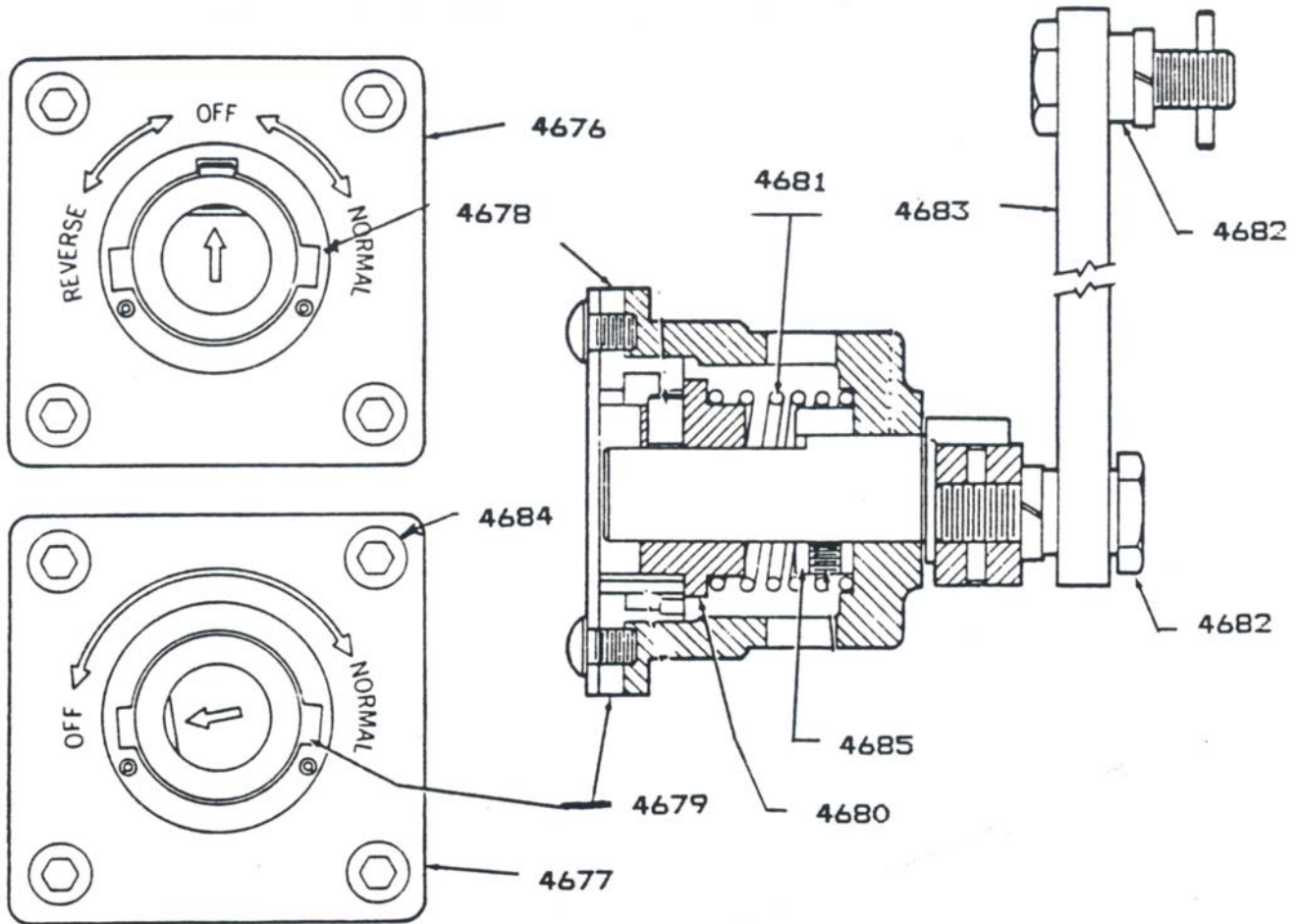
VERTICAL & HORIZONTAL DRIVE • 10

STOCK NO.	DESCRIPTION	GOSS PART NO.
4147	Bearing	722673-1048
4148	Bearing Cup	
4176	Bearing	722673-1572
4182	Bearing	722673-1574
4266	Bearing	722605-0040
4712	Gear Clutch	C-066199-0001
4777	Bearing	C-040101-6312
4778	Bearing	C-040106-5209
4779	Bearing	C-040106-5212
4781	Bearing	722673-0180
4782	Bearing	722605-0041

www.a-americanpressparts.com

Check our website for updates!

UNIT & HALF-DECK: DRIVE SYSTEM



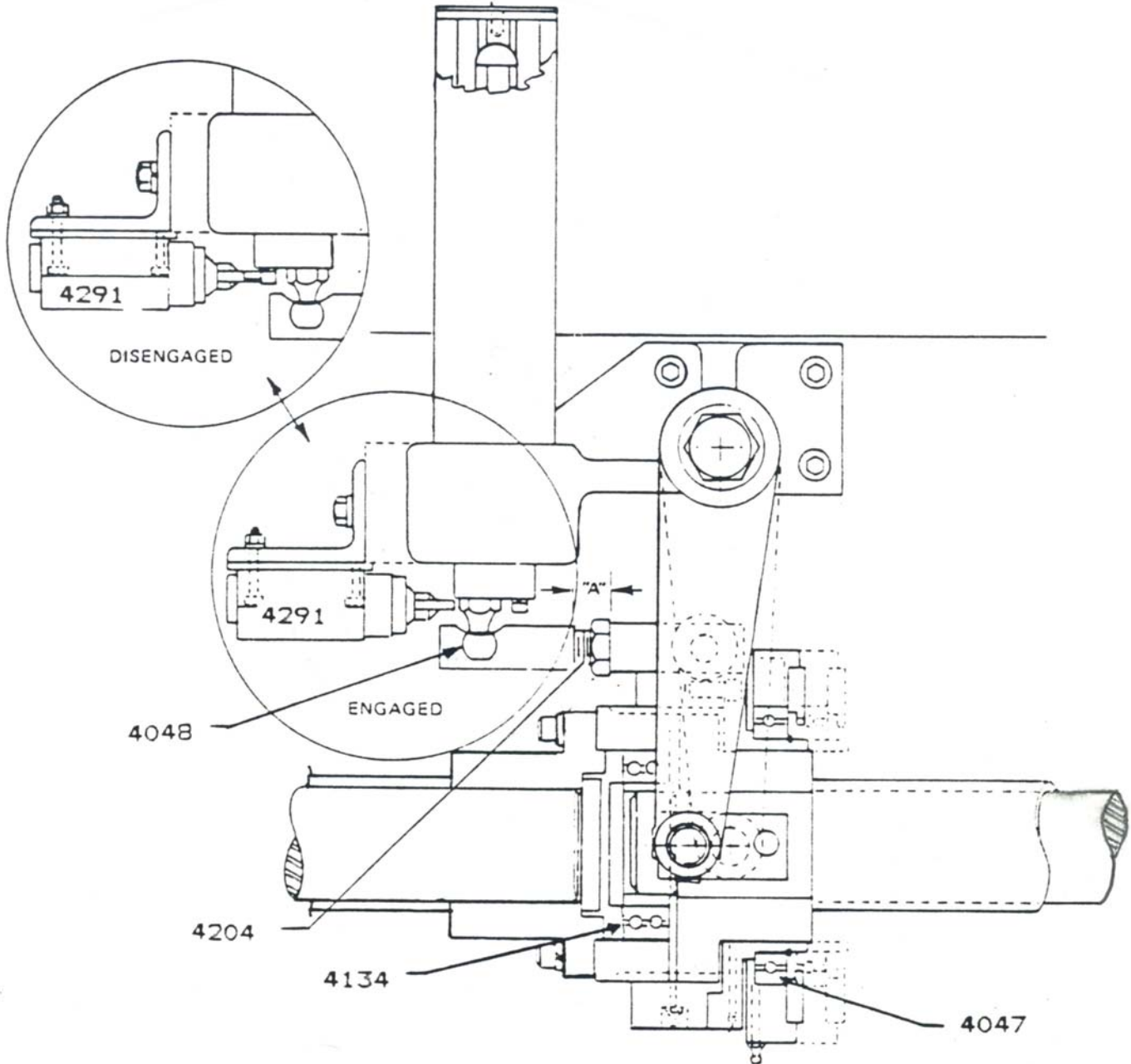
VERTICAL DRIVE SHAFT SHIFTER

STOCK NO.	DESCRIPTION	GOSS PART NO.
4676	Indicator Plate * Rev-Off-Normal	B-114148-0001
4677	Indicator Plate * Off-Normal	B-116527-0001
4678	Reversing Plate	26-5669-A, C66242
4678	Reserving Plate	26-5669-A, C66247
4680	Spring Sleeve	B-114147-0001
4681	Spring	B-116196-0001
4682	Shoulder Screw	B-114144-0001
4683	Clutch Link	B-114142-0002
4684	Screw	891209-1316
4685	Collar	B-040081-1125

www.a-americanpressparts.com

Check our website for updates!

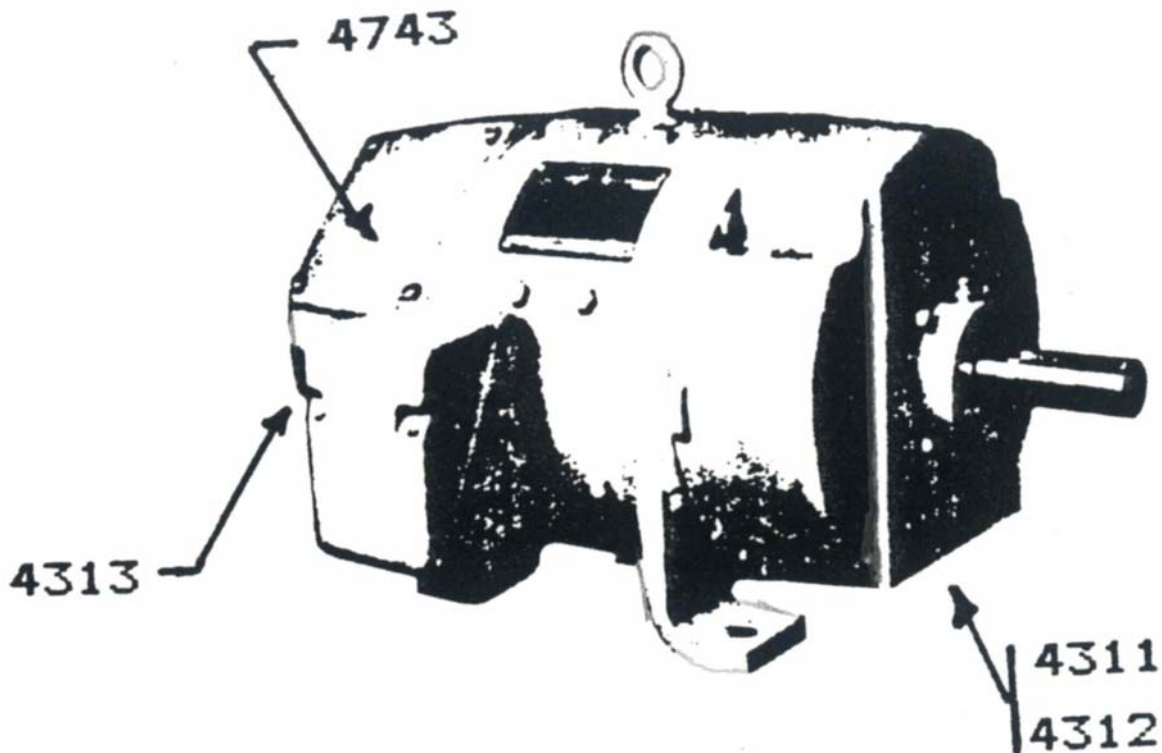
UNIT & HALF-DECK: NOTES



MAIN DRIVE CLUTCH

STOCK NO.	DESCRIPTION	GOSS PART NO.
4047	Bearing	
4048	Ball Joint	807005-0013
4134	Bearing	022673-0312
4204	Stud	B-135212-0001
4291	Limit Switch	

UNIT & HALF-DECK: DRIVE SYSTEM



MAIN DRIVE MOTORS • GENERAL ELECTRIC

STOCK NO.	DESCRIPTION	GOSS PART NO.
4311	Exhaust Screen	
4312	Air Inlet	
4313	Air Exhaust	
4743	Plastic Cover for Motor	

UNIT & HALF-DECK: GUARDS

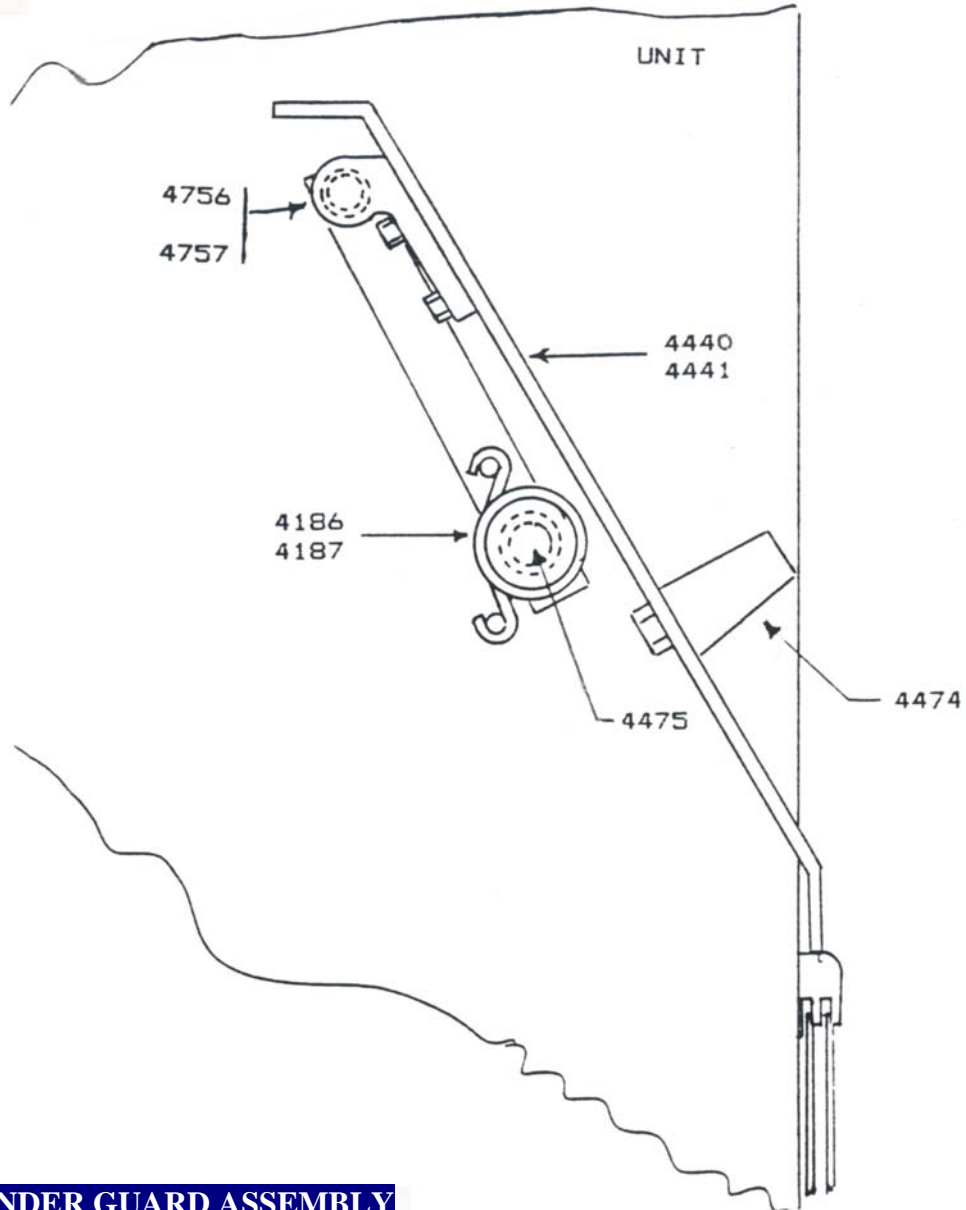


PLATE CYLINDER GUARD ASSEMBLY

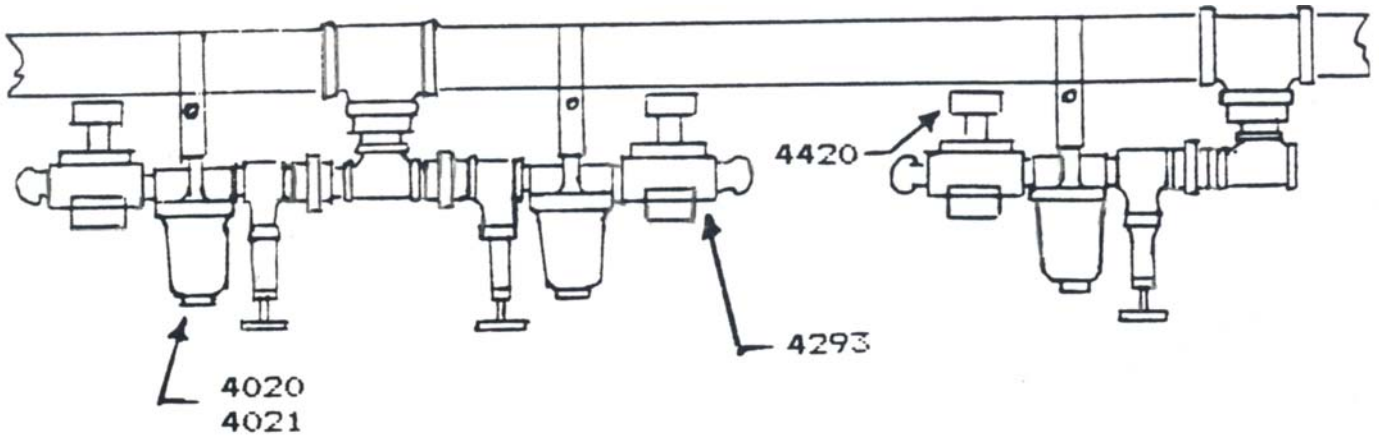
STOCK NO.	DESCRIPTION	GOSS PART NO.
4440	Plate Cylinder Guard	D-028461-0001
4441	Plate Cylinder Guard	D-028461-0002
4186	Guard Spring - RH	C-071815-0001
4187	Guard Spring - LH	C-071815-0002
4474	Handle	C-086272-0001
4475	Stripper Bolt	C-040131-7522
4756	Hinge - CI	B-149669-0001
4757	Hinge - Steel	



1-888-434-0888
TOLL FREE

UNIT & HALF-DECK: NOTES

UNIT & HALF-DECK: INK SYSTEM



MAIN INK LINE FILTERS & PNEUMATIC SYSTEM

STOCK NO.	DESCRIPTION	GOSS PART NO.
4020	Ink Filter	762948-0004
4021	Ink Filter Element	753525-0010
4293	Air Valve	920500-0065
4420	Air Valve	920502-0065

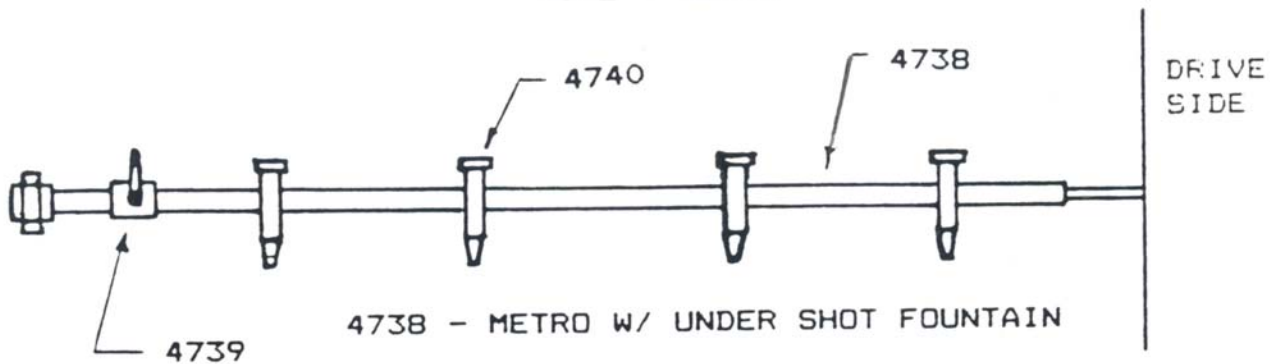
www.a-americanpressparts.com

Check our website for updates!

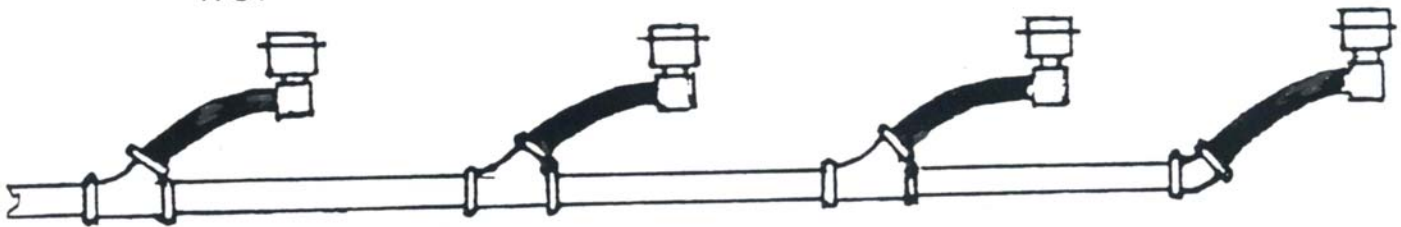
UNIT & HALF-DECK: INK SYSTEM



4042 - METRO



4738 - METRO W/ UNDER SHOT FOUNTAIN



4741 - METRO-LINER



4742 - METRO & METRO-LINER, HALF-DECKS

MAIN INK LINE PIPING

STOCK NO.	DESCRIPTION	GOSS PART NO.
4042	Main Ink Line * 10 - 13 Side	
4738	Feed Piping Assembly	
4739	Main Shut-off Valve	920500-0220
4740	Page Compartment Valve	845500-0250
4741	Main Ink Line * 10 - 13 Side	
4742	Main Ink Line for Decks	

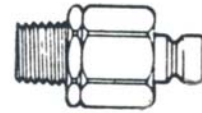
www.a-americanpressparts.com

Check our website for updates!

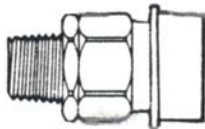
UNIT & HALF-DECK: INK SYSTEM



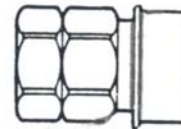
4010



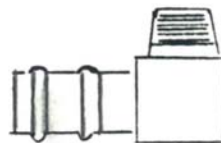
4011



4012



4013



4263

MAIN INK LINE & CANNISTER INK LINE FITTINGS

STOCK NO.	DESCRIPTION	GOSS PART NO.
4010	Plain Nipple for Pac	B-132261-0001
4011	Valved Nipple - Cannister & HD	C-097003-0001
4012	Valved Coupler - Male Pipe Thrd.	865515-0242
4013	Valved Coupler - Female Pipe Thrd.	865515-0242
4263	90° Elbow - Main Ink Line to Pac - ML	

UNIT & HALF-DECK: INK SYSTEM



PAC TO RAIL INK HOSE • FOR WIRE & SLIDE TYPE FITTINGS

STOCK NO.	DESCRIPTION	GOSS PART NO.
4030	Ink Hose Assembly - 9" lg.	
4031	Ink Hose Assembly - 9-1/2" lg.	
4032	Ink Hose Assembly - 10" lg.	
4033	Ink Hose Assembly - 12" lg.	
4034	Ink Hose Assembly - 14" lg.	
4035	Ink Hose Assembly - 16" lg.	
4036	Ink Hose Assembly - 22" lg.	
4037	Ink Hose Assembly - 32" lg.	
4038	Ink Hose Assembly - 36" lg.	



PAC TO RAIL INK HOSE • FOR SCREW TYPE FITTINGS

STOCK NO.	DESCRIPTION	GOSS PART NO.
4026	Ink Hose Assembly - 13" lg.	
4027	Ink Hose Assembly - 14-1/2" lg.	
4028	Ink Hose Assembly - 29" lg.	
4029	Ink Hose Assembly - 37" lg.	



PAC TO RAIL INK HOSE WITH SCREW & SWIVEL TYPE FITTINGS

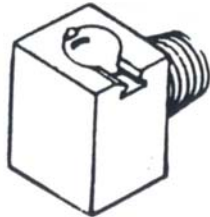
STOCK NO.	DESCRIPTION	GOSS PART NO.
4426-1	Ink Hose Assembly - 8-1/2" lg.	
4426-2	Ink Hose Assembly - 13-1/4" lg.	
4426-3	Ink Hose Assembly - 16" lg.	
4426-4	Ink Hose Assembly - 20" lg.	
4426-5	Ink Hose Assembly - 29-1/4" lg.	

**** ALL HOSES CAN BE MADE TO CUSTOMER'S SPECIFICATIONS ****

www.a-americanpressparts.com

Check our website for updates!

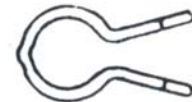
UNIT & HALF-DECK: INK SYSTEM



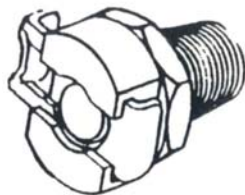
4001



4002



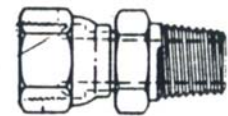
4003



4004



4005



4019

4006



4156



4243



4244



4582

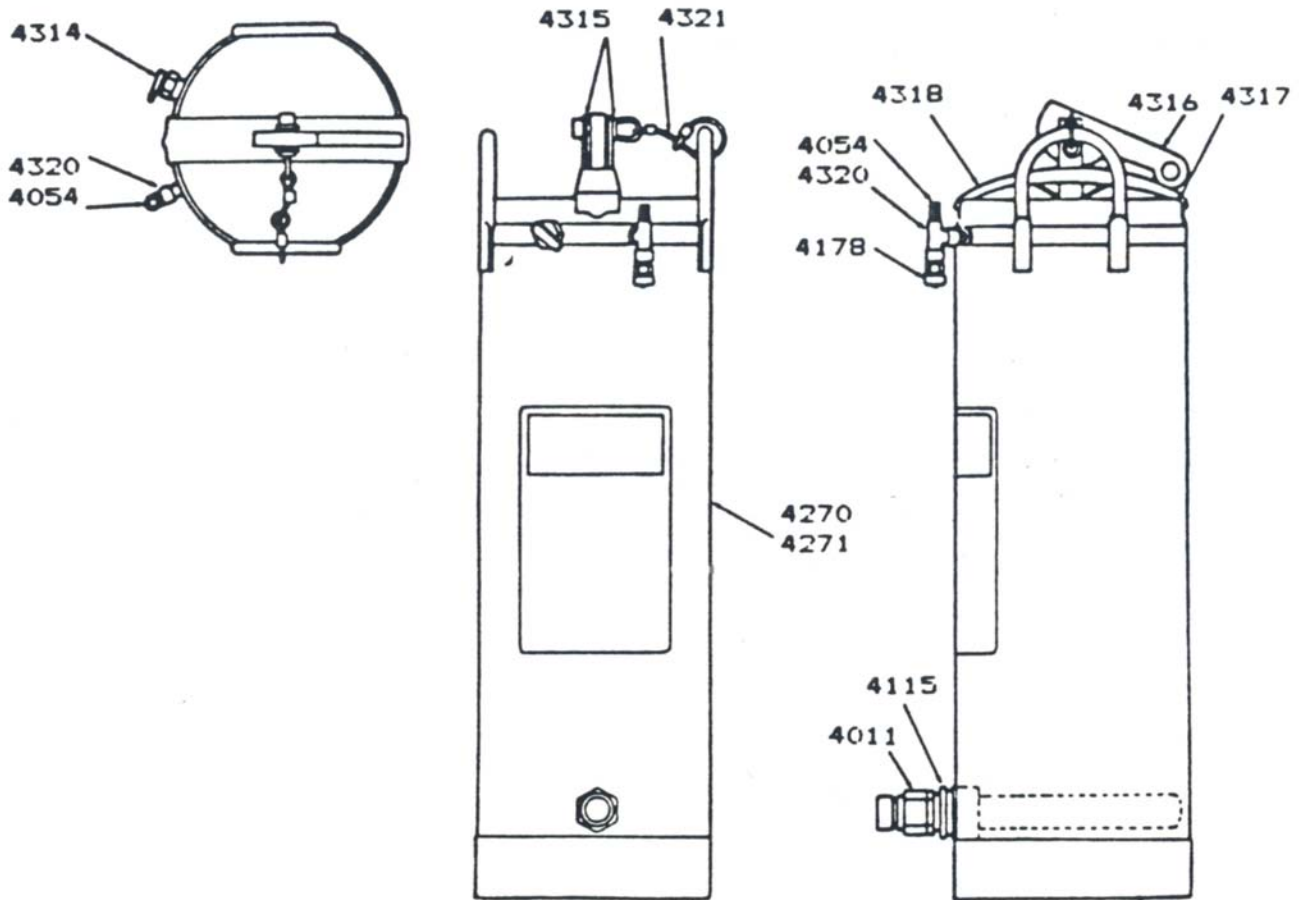
PAC & INK RAIL HOSE FITTINGS

STOCK NO.	DESCRIPTION	GOSS PART NO.
4001	Ink Pac Fitting, Wire Type	711200-0054
4002	Ink Rail Fitting, Wire Type	711200-0053
4003	Wire Clip	884300-0004
4004	Ink Pac Fitting, Slide Type	
4005 *	Ink Pac Fitting, Slide Type	712000-0055
4006 +	Ink Pac Fitting, Slide Type	
4019	Swivel Connector - For Screw Type Hose Assy.	
4156	45° Fitting	
4243	Nipple	
4244	90° Elbow	
4582	Straight Fitting	

* 45° PLAIN

+ 45° WITH INDENTED SLIDE

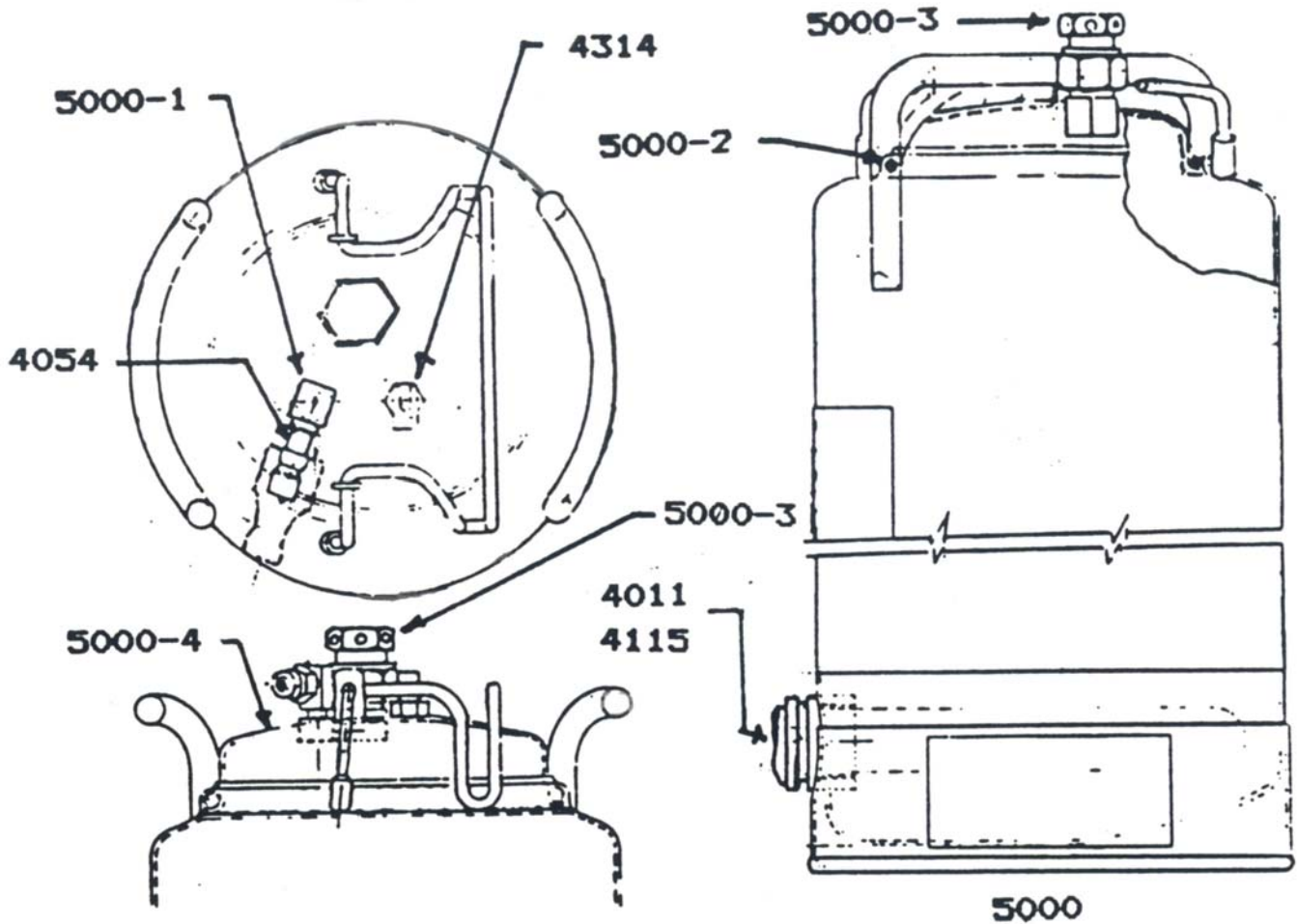
UNIT & HALF-DECK: INK SYSTEM



INK CANNISTER • OLD STYLE

STOCK NO.	DESCRIPTION	GOSS PART NO.
4011	Valved Nipple	865515-0242
4054	Air Feed Nipple	
4115	Ink Filter with Fitting	B-129291-0001
4178	Pop-off Valve with O-ring	E-005337-0008
4271	Ink Cannister - Four Gallon	E-005337-0001
4314	Air Release Valve	
4315	Clip	
4316	Handle	
4317	Gasket	E-005337-0005
4318	Cover Assembly	E-005337-0006
4320	Tee with Restrictor Assembly	E-005337-0010
4321	Wire Rope Assembly	

UNIT & HALF-DECK: INK SYSTEM



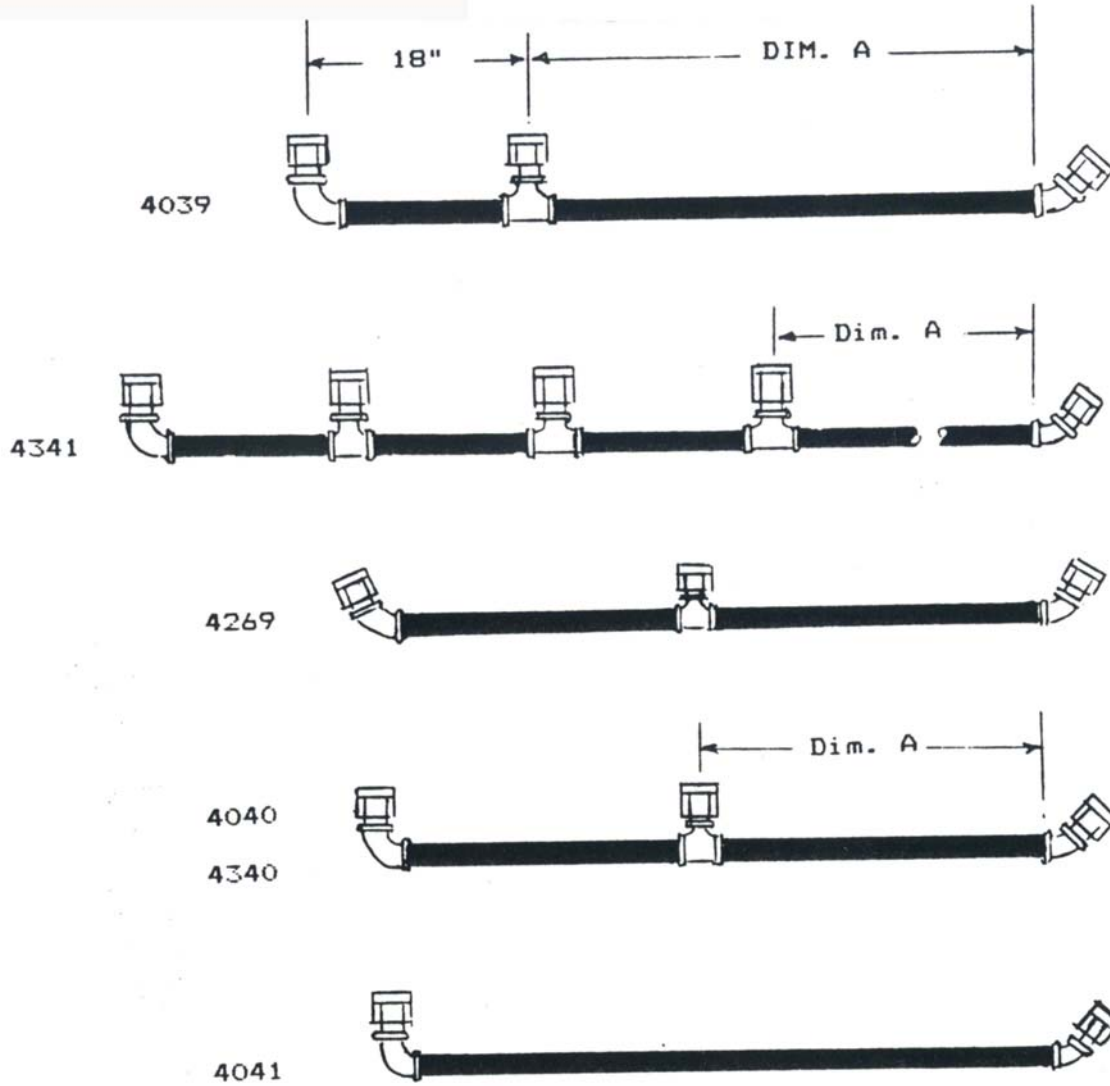
INK CANNISTER ASSEMBLY • NEW STYLE

STOCK NO.	DESCRIPTION	GOSS PART NO.
4011	Valved Nipple	865515-0242
4054	Valved Nipple	
4115	Ink Strainer	B-129291-0001
4314	Air Release Valve	E-005337-0008
5000	Tank & Cover Assembly	ER-012798-0000
5000-1	Elbow	753061-0130
5000-2	O-ring	885454-0432
5000-3	Rupture Assembly Disc	745000-0030
5000-4	Cannister Cover	

www.a-americanpressparts.com

Check our website for updates!

UNIT & HALF-DECK: INK SYSTEM

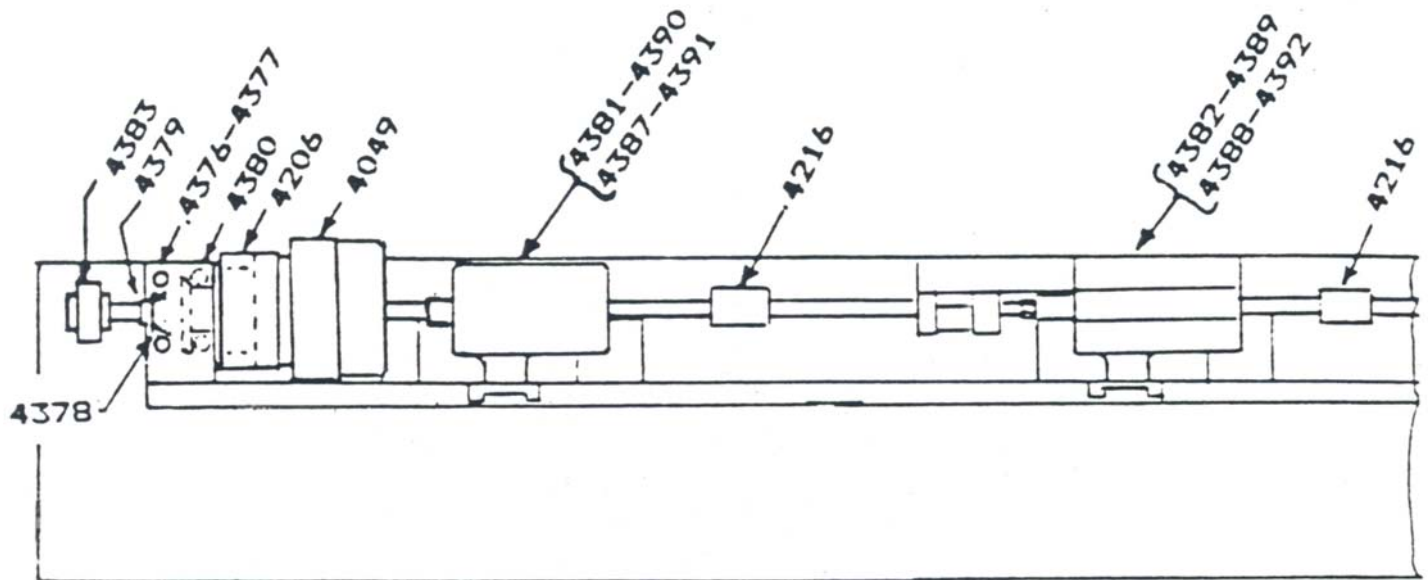


CANNISTER TO PAC INK HOSE ASSEMBLY

STOCK NO.	DESCRIPTION	GOSS PART NO.
4039	Ink Hose Assembly To 2 Pacs	
4040	Ink Hose Assembly To 2 Pacs - 80"	D-029531-0002
4041	Ink Hose Assembly To 1 Pacs	
4269	Ink Hose Assembly To 2 Pacs	
4340	Ink Hose Assembly To 2 Pacs - 53"	D-029534-0003
4341	Ink Hose Assembly To 4 Pacs	

**** ALL HOSES CAN BE MADE TO CUSTOMER'S SPECIFICATIONS ****

UNIT & HALF-DECK: INK SYSTEM



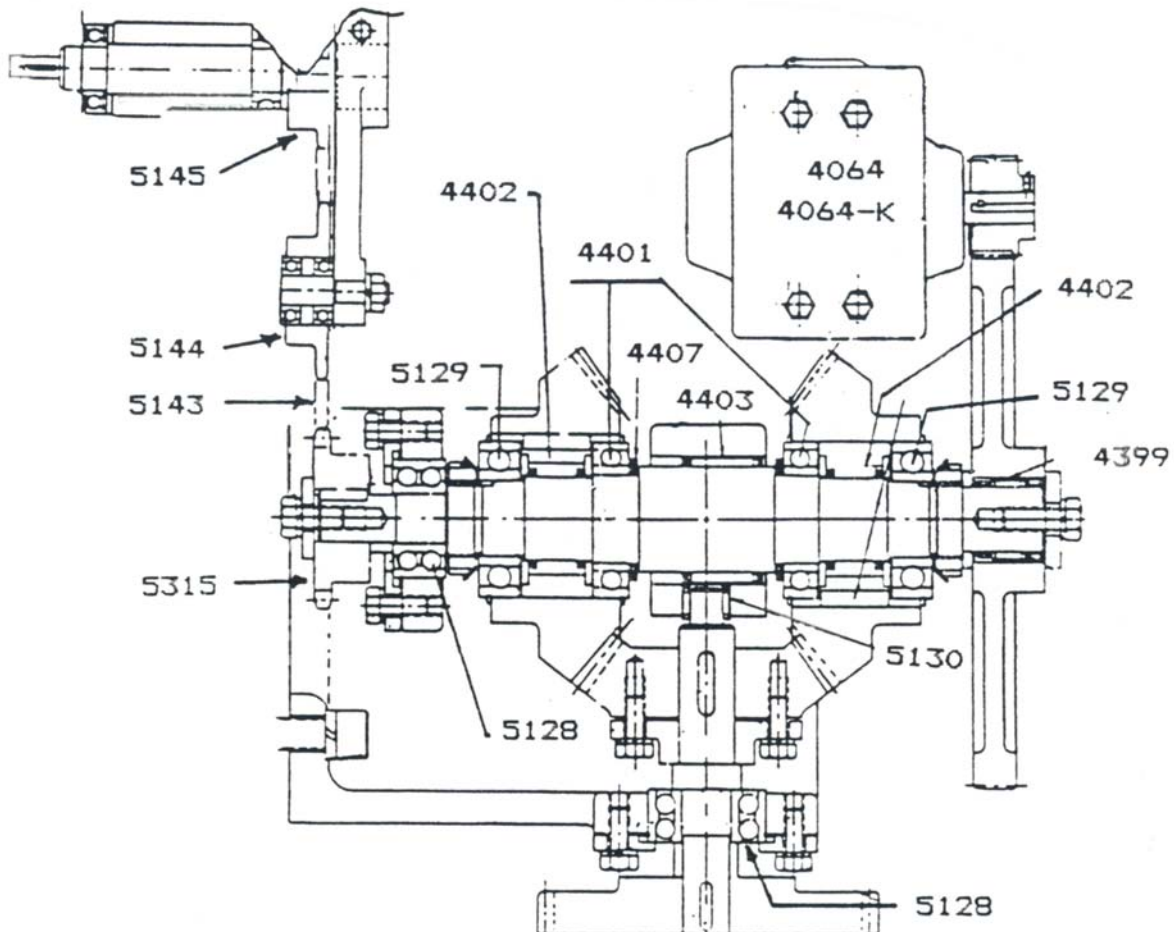
INK PAC DRIVE ASSEMBLY

STOCK NO.	DESCRIPTION	GOSS PART NO.
4049	Clutch	C-734300-0001
4206	Spindle	C-088761-0001
4216	Coupling	B-131002-0001
4376	Mounting Block - 10 Side	C-088766-0001
4377	Mounting Block - 13 Side	C-088766-0002
4378	Bearing	722605-1066
4379	Bearing Spacer	729457-0050
4380	Bearing	722605-1073
4381 *	Drive Box - Drive 10 Side	E-003022-0001
4382 *	Drive Box - 10 Side	D-027850-0001
4383	Coupling	737832-0001
4387 *	Drive Box - Drive 13 Side	E-003022-0002
4388 *	Drive Box - 13 Side	D-027850-0002
4389 +	Drive Box - 10 Side	D-030088-0002
4390 +	Drive Box - Drive 10 Side	D-029899-0009
4391 +	Drive Box - Drive 13 Side	D-030088-0001
4392 +	Drive Box - 13 Side	D-030088-0001

* PRE METRO PRESS NO. 3117
 * PRE MARK V PRESS NO. 4007

+ POST METRO PRESS NO. 3117
 + POST MARK V PRESS NO. 4007

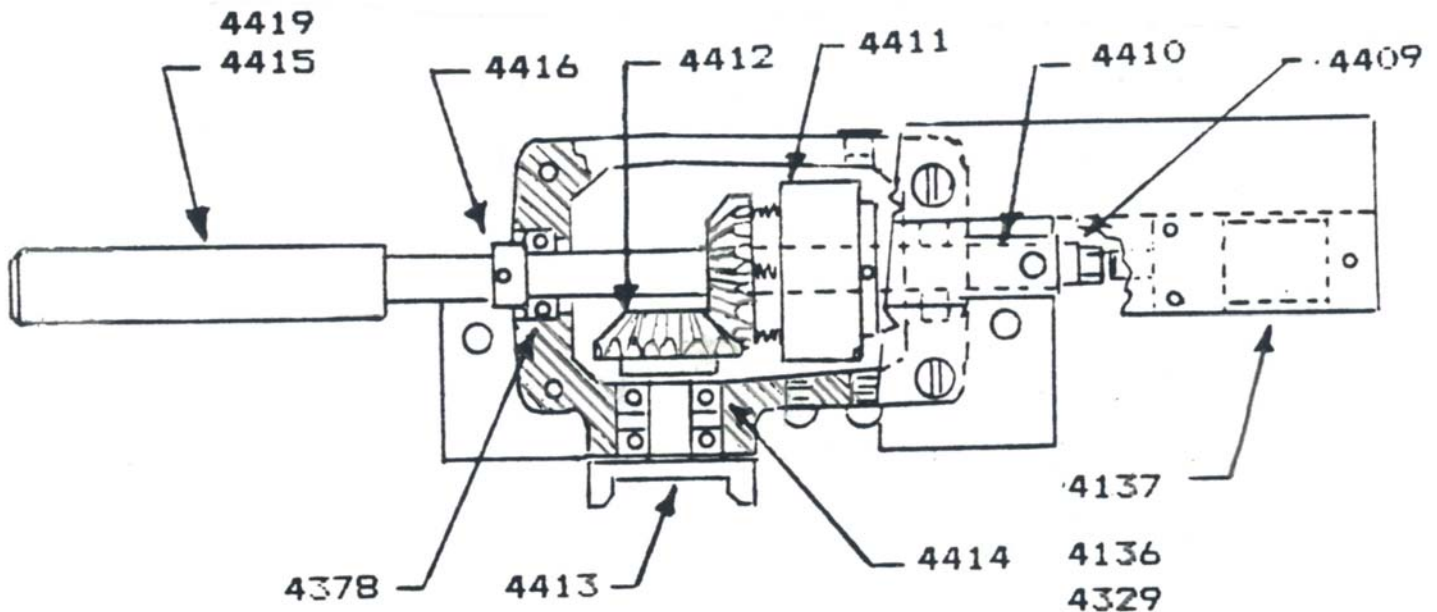
UNIT & HALF-DECK: INK SYSTEM



INK INJECTOR DRIVE • HALF DECK

STOCK NO.	DESCRIPTION	GOSS PART NO.
4064	Air Motor	83500-0108
4064-K	Air Motor Repair Kit	
4399	Clutch	734300-0010
4401	Bearing	722605-1327
4402	Clutch	734312-0206
4403	Bearing	722657-0574
4407	Spring Disc	897015-6205
5128	Bearing	722605-0222
5129	Bearing	722605-0206
5130	Bearing	722683-0323
5143	Drive Chain	732404-1060
5144	Idler Sprocket	C-097669-0001
5145	Jackshaft Sprocket	885470-0545
5315	Sprocket	B-146424-0001

UNIT & HALF-DECK: INK SYSTEM



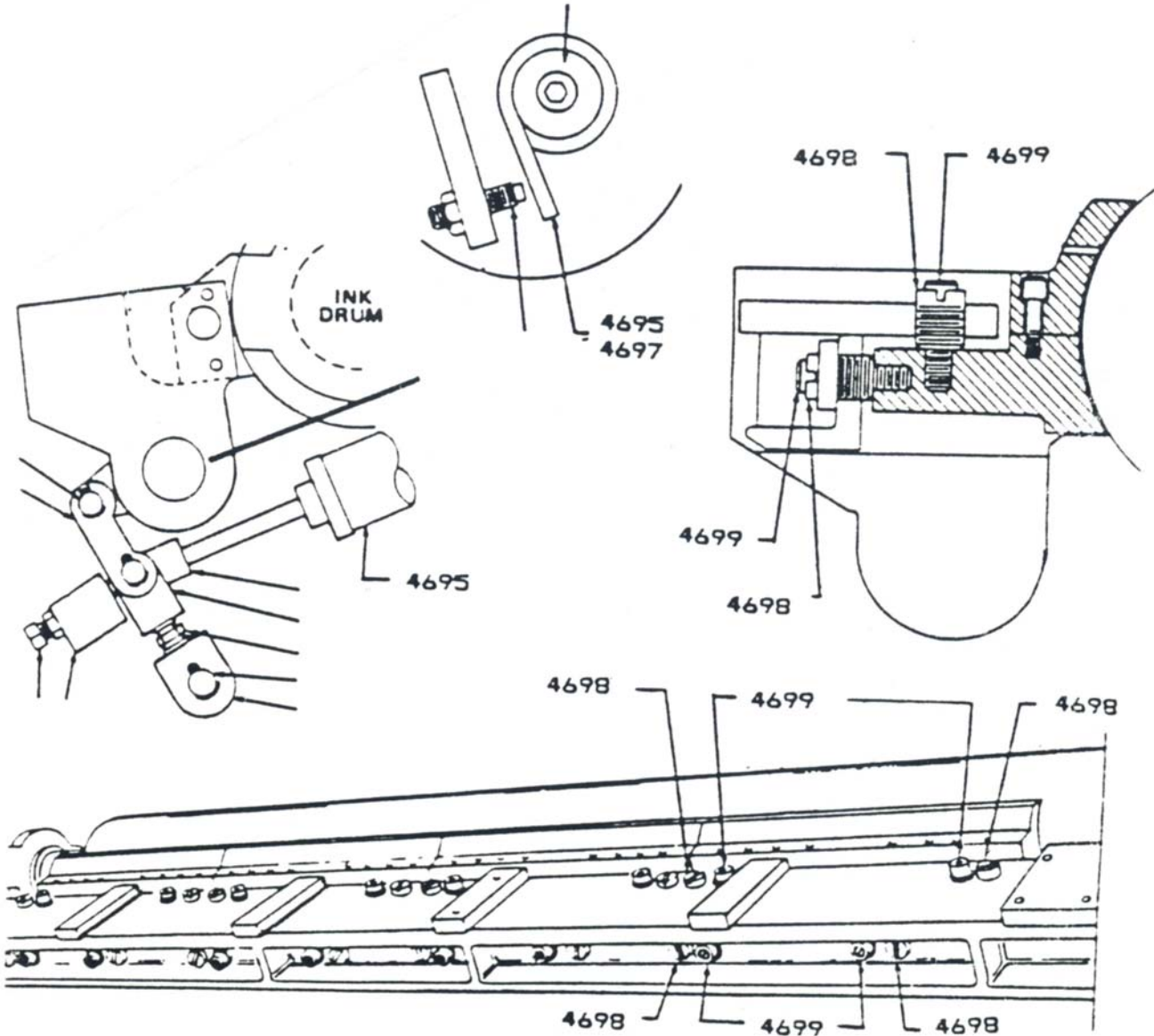
INK PAC DRIVE BOX • NEW STYLE

STOCK NO.	DESCRIPTION	GOSS PART NO.
4136	Air Cylinder	739903-0201
4137	Air Cylinder Repair Kit	
4329	Air Cylinder	739903-0202
4378	Bearing	722605-1066
4409	Clevis	B-140725-0001
4410	Link Arm	B-140723-0001
4411	Clutch Assembly	C-090490-0001
4412	Bevel Gear	C-090244-0001
4413	Coupling Flange	B-133070-0001
4414	Bearing	722605-1231
4415	Shaft - 10 Side Drive	B-139968-0001
4416	Spacer	B-130733-0001
4417	Shaft - 13 Side Assembly	B-139392-0002
4418	Shaft - 10 Side Assembly	B-139392-0001
4419	Shaft - 13 Side Assembly	B-013968-0002

www.a-americanpressparts.com

Check our website for updates!

UNIT & HALF-DECK: INK SYSTEM



PNEUMATIC INK RAIL ASSEMBLY

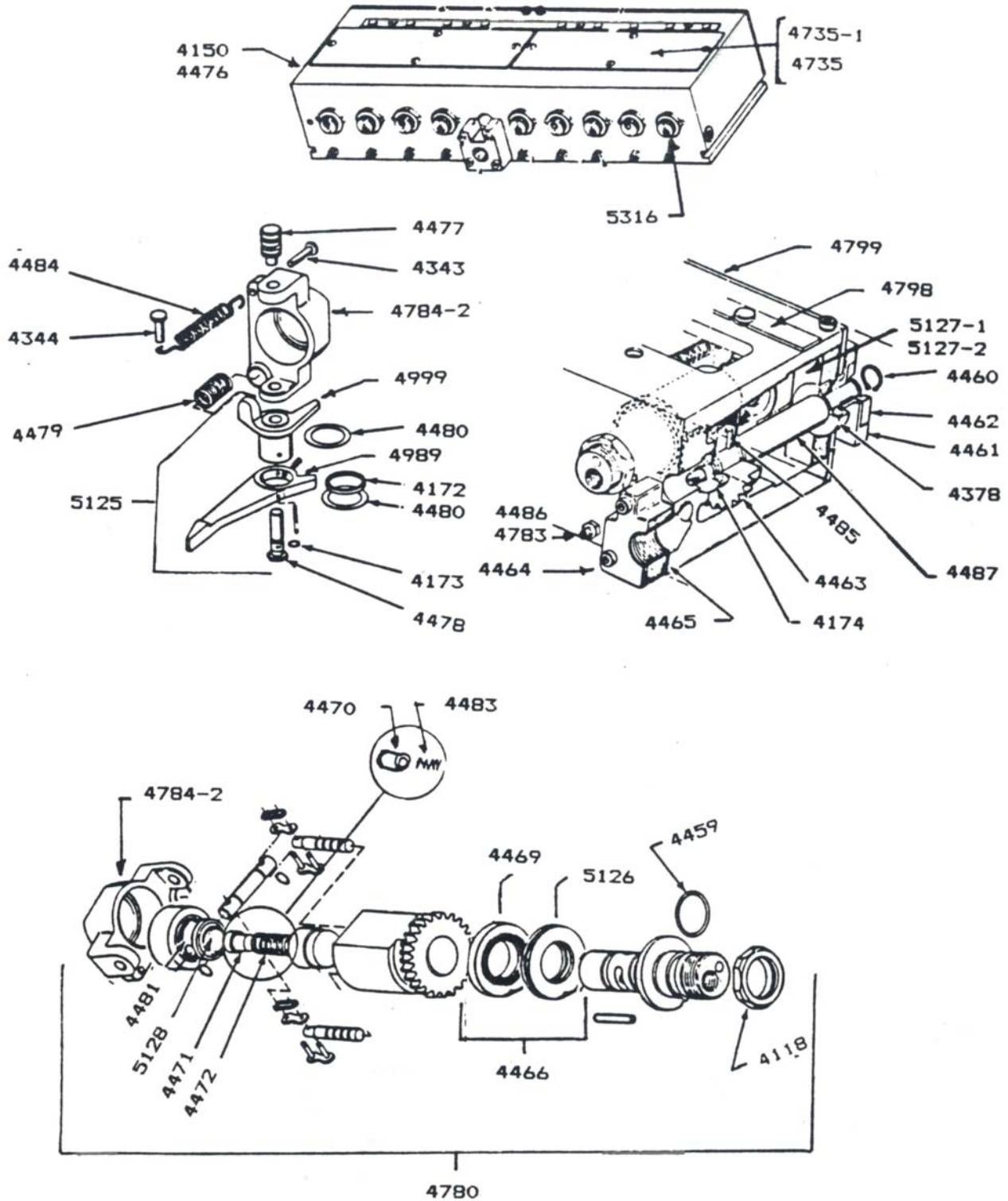
STOCK NO.	DESCRIPTION	GOSS PART NO.
4695	Air Cylinder	739905-2542
4696	Torsion Spring	C-100106-0001
4697	Torsion Spring	C-100106-0002
4698	Adjusting Screw	B-150418-0001
4699	Screw	891201-0250



1-888-434-0888
TOLL FREE

UNIT & HALF-DECK: NOTES

UNIT & HALF-DECK: INK SYSTEM



DOUBLE STROKE INK INJECTOR PAGE PAC ASSEMBLY



1-888-434-0888
TOLL FREE

UNIT & HALF-DECK: INK SYSTEM

DOUBLE STROKE INK INJECTOR PAGE PAC ASSEMBLY

STOCK NO.	DESCRIPTION	GOSS PART NO.
4118	Seal Nut	826378-2018
4150	Double Stroke Page Pac - New	F-004200-0111
4172	Oil Seal	891551-3033
4173	O-ring	C-040161-0006
4174	Bearing	722605-1128
4343	Clevis Pin	863308-1806
4344	Clevis Pin	863308-1804
4378	Bearing	722605-1066
4459	O-ring	885458-1018
4460	Retainer	C-040164-0050
4461	Coupling Flange	B-133069-0001
4462	Center Block	B-132914-6877
4463	Gear	B-130618-0001
4464	Ink Supply Connector	B-130040-6829
4465	Gasket	B-129437-0001
4466	Bearing & Seal Assembly	C-096034-0001
4469	Seal & Spacer Assembly	
4470	Swivel Button	B-145490-0001
4471	Swivel Button	B-128684-0001
4472	Swivel Button Spring	B-131215-0001
4476	Double Stroke Page Pac - Rebuilt	F-004200-0211
4477	Pivot Pin	B-128688-0001
4478	Connecting Pin	B-131727-0001
4479	Spring	B-132889-0001
4480	Washer	B-132908-0001
4481	Bearing	C-040106-5200
4483	Swivel Button Spring	B-145191-0001
4484	Spring	B-128982-0001
4485	Shear Pin	B-144969-0001
4486	Stop Screw	B-131452-0001
4487	Shaft	B-130771-0001
4735	Printed Cover	
4735-1	Plain Cover	
4780	Pump Assembly	
4783	Nut	C-040149-2528
4784-2	Swivel	
4798	Pivot Holddown Plate	C-078366-0001
4799	Back Plate	C-080455-0001
4989	Adjusting Lever Link	B-131728-0001
4999	Memory Link	B-131729-0001
5125	Memory Link Assembly	
5126	Thrust Bearing	
5127-1	Bearing Bracket - 4 Screw	B-130709-0001
5127-2	Bearing Bracket - 3 Screw	B-145906-0001
5128	Swivel	B-128685-0001
5316	Plug	B-131072-0001

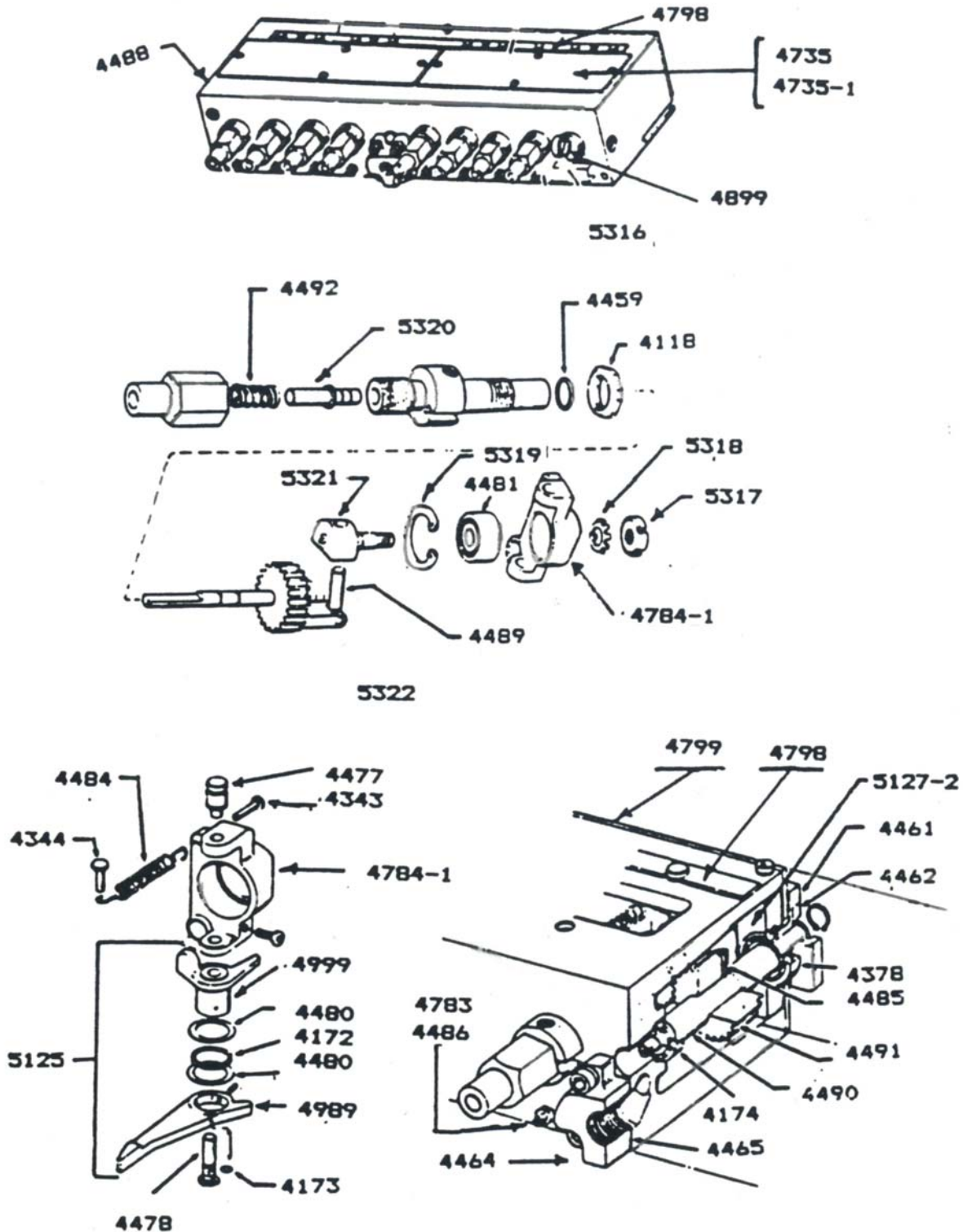
**** INK INJECTOR PAGE PAC REPAIRS AVAILABLE ****

**** NEW & REBUILT INK INJECTOR PAGE PACS AVAILABLE ****

www.a-americanpressparts.com

Check our website for updates!

UNIT & HALF-DECK: INK SYSTEM



SINGLE STROKE INK INJECTOR PAGE PAC ASSEMBLY



1-888-434-0888
TOLL FREE

UNIT & HALF-DECK: INK SYSTEM

SINGLE STROKE INK INJECTOR PAGE PAC ASSEMBLY

STOCK NO.	DESCRIPTION	GOSS PART NO.
4118	Seal Nut	826378-2018
4172	Oil Seal	891551-3033
4173	O-ring	C-040161-0006
4174	Bearing	722605-1128
4343	Clevis Pin	863308-1806
4344	Clevis Pin	863308-1804
4378	Bearing	722605-1066
4459	O-ring	885458-1018
4461	Coupling Flange	B-133069-0001
4462	Center Block	B-132914-6877
4464	Connector	B-130040-6829
4465	Gasket	B-129437-0001
4477	Pin	B-128688-0001
4478	Connecting Pin	B-131727-0001
4480	Washer	B-132908-0001
4481	Bearing	C-040106-5200
4484	Spring	B-128982-0001
4485	Shear Pin	B-144969-0001
4486	Adjusting Screw	B-131452-0001
4488	Single Stroke Ink Page Pac	004717-0111
4489	Swivel Pin	B-148588-0001
4490	Drive Shaft	C-100697-0001
4491	Gear	C-100695-0001
4492	Spring	897009-0374
4783	Nut	C-040149-2528
4784-1	Swivel	C-100696-0001
4798	Pivot Holddown Plate	C-078366-0001
4799	Back Plate	C-080455-0001
4899	Dip Stick	B-148826-0001
4989	Adjusting Lever Link	B-131728-0001
4999	Memory Link	B-131729-0001
5125	Memory Link Assembly	
5127-2	Bearing Bracket	B-145906-0001
5316-1	Plug	B-131072-0001
5317	Locknut	C-040123-0100
5318	Lockwasher	C-040124-0100
5319	Retaining Ring	885470-0904
5320	Piston	B-148506-0001
5321	Eccentric	C-100694-0001
5322	Pin	B-148725-0001

**** INK INJECTOR PAGE PAC REPAIRS AVAILABLE ****

**** NEW & REBUILT INK INJECTOR PAGE PACS AVAILABLE ****

www.a-americanpressparts.com

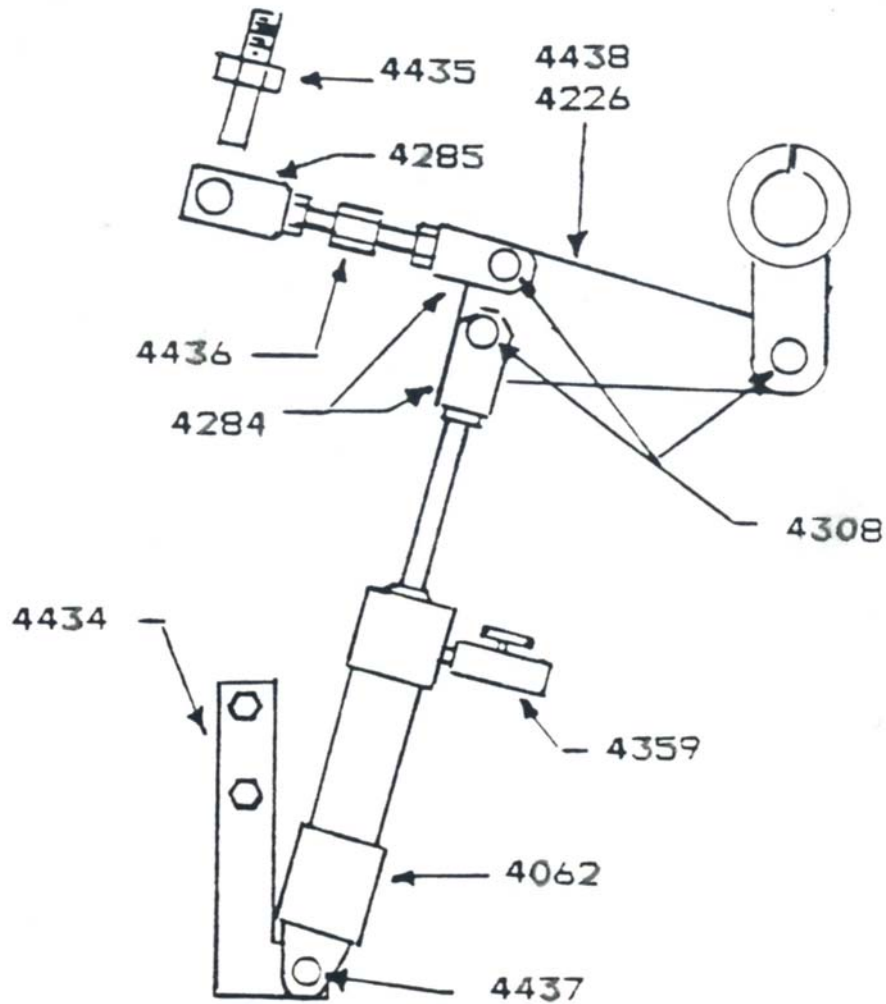
Check our website for updates!



1-888-434-0888
TOLL FREE

UNIT & HALF-DECK: NOTES

UNIT & HALF-DECK: INFEEED SYSTEM



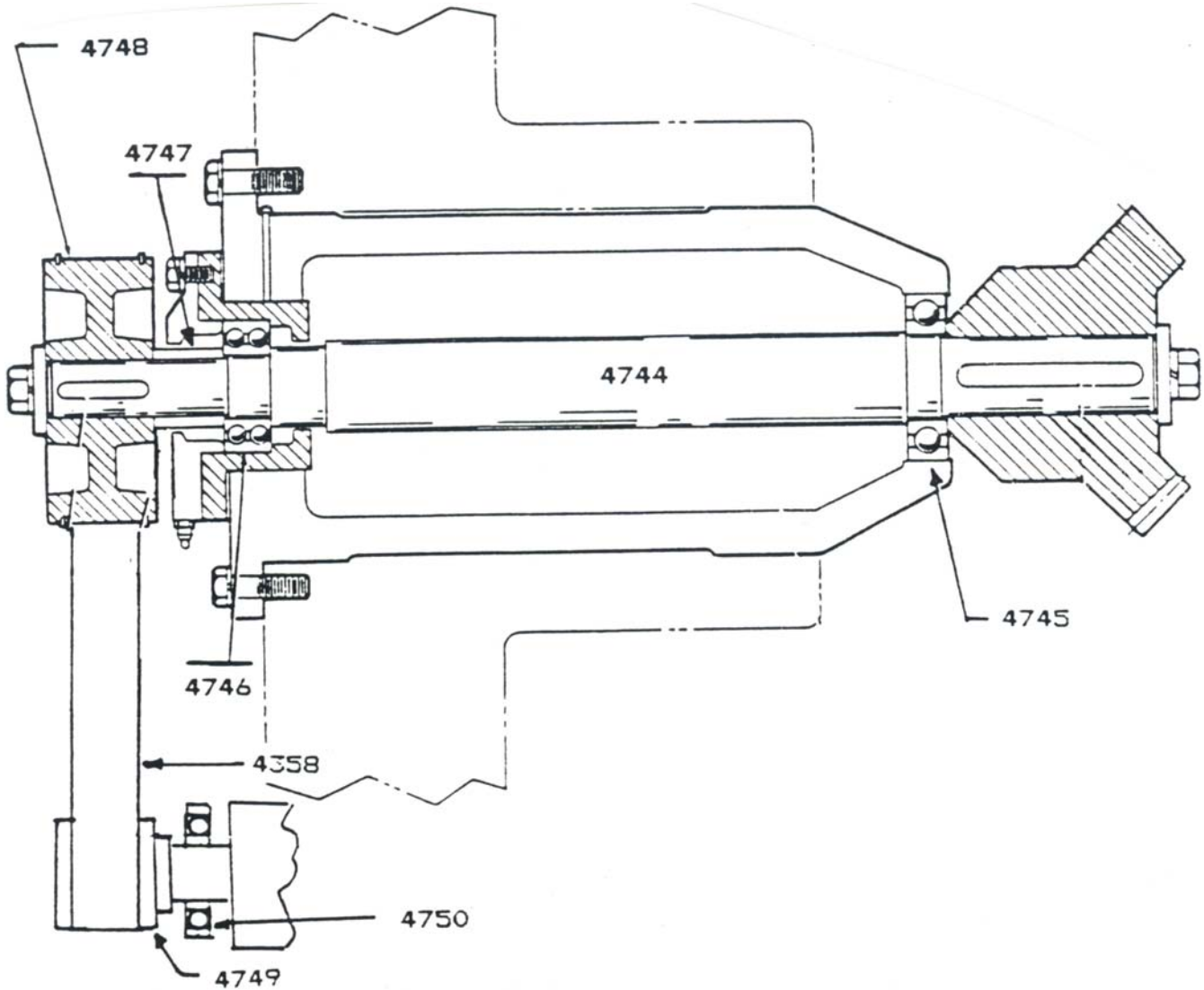
INFEEED LINKAGE

STOCK NO.	DESCRIPTION	GOSS PART NO.
4062	Air Cylinder	B-116658-0008
4226	Link	C-102033-0001
4284	Clevis	B-121259-0001
4285	Pivot	B-121254-0001
4308	Pin	B-121258-0001
4359	Air Control Valve	920500-0066
4434	Bracket	B-146265-0001
4435	Stud	B-121255-0001
4436	Turnbuckle	B-121257-0001
4437	Stripper Bolt	C-040131-3705
4438	Link	B-121261-0001

www.a-americanpressparts.com

Check our website for updates!

UNIT & HALF-DECK: INFEEED SYSTEM



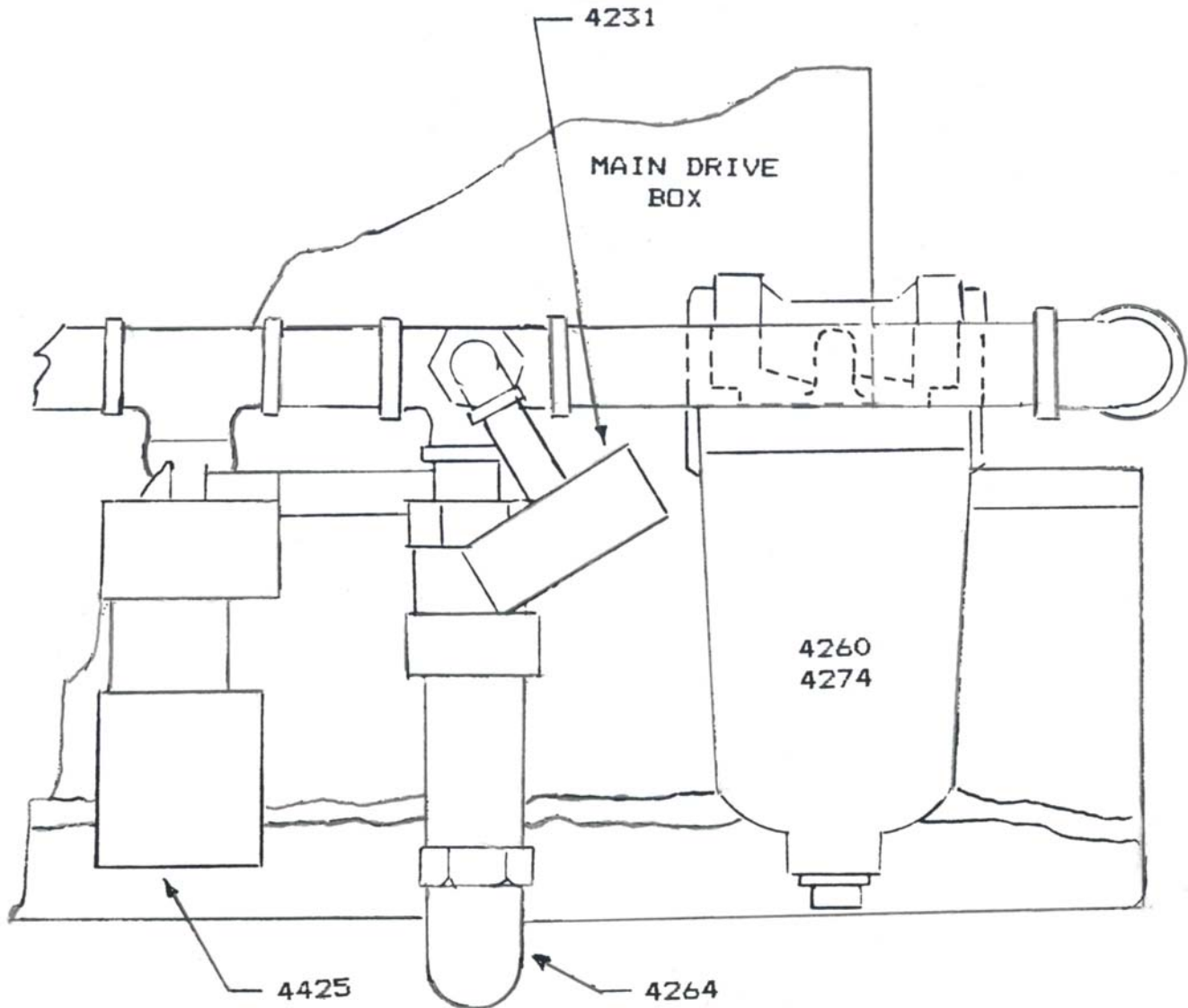
INFEEED DRIVE ASSEMBLY

STOCK NO.	DESCRIPTION	GOSS PART NO.
4358	Timing Belt	723675-0358
4744	Shaft	C-096800-0001
4745	Bearing	722605-0566
4746	Bearing	C-040108-5206
4747	Spacer	C-040064-2512
4748	Infeed Drive Pulley	B-146880-0001
4749	Infeed Roller Pulley	C-098160-0001
4750	Infeed Roller Bearing	722607-0116

www.a-americanpressparts.com

Check our website for updates!

UNIT & HALF-DECK: LUBRICATION SYSTEM



MAIN DRIVE BOX WITH GEAR DRIVEN PUMP

STOCK NO.	DESCRIPTION	GOSS PART NO.
4231	Pressure Gage	771500-0500
4260	Filter	762948-0081
4264	Relief Valve	920567-0014
4274	Filter Element	
4425	Pressure Switch	899765-0050

www.a-americanpressparts.com

Check our website for updates!

UNIT & HALF-DECK: LUBRICATION SYSTEM



GREASE HOSE ASSEMBLY

STOCK NO.	DESCRIPTION	GOSS PART NO.
4495	Grease Hose	787552-0014
4496 ALL H	Grease Hose Assembly, 18" lg.	**SPECIFICATIONS**
4497	Grease Hose Assembly, 24" lg.	
4498	Grease Hose Assembly, 36" lg.	
4499	Grease Hose Assembly, 48" lg.	



4155



4494



4156



4157







4493

GREASE HOSE FITTINGS

STOCK NO.	DESCRIPTION	GOSS PART NO.
4155	90^ Male Elbow	
4156	45^ Male Elbow	
4157	Male Branch Tee	C-040052-3221
4493	Male Straight Connector	
4494	Swivel Fitting	C-040050-3012

UNIT & HALF-DECK: AIR SYSTEM

HI-DUTY FITTINGS

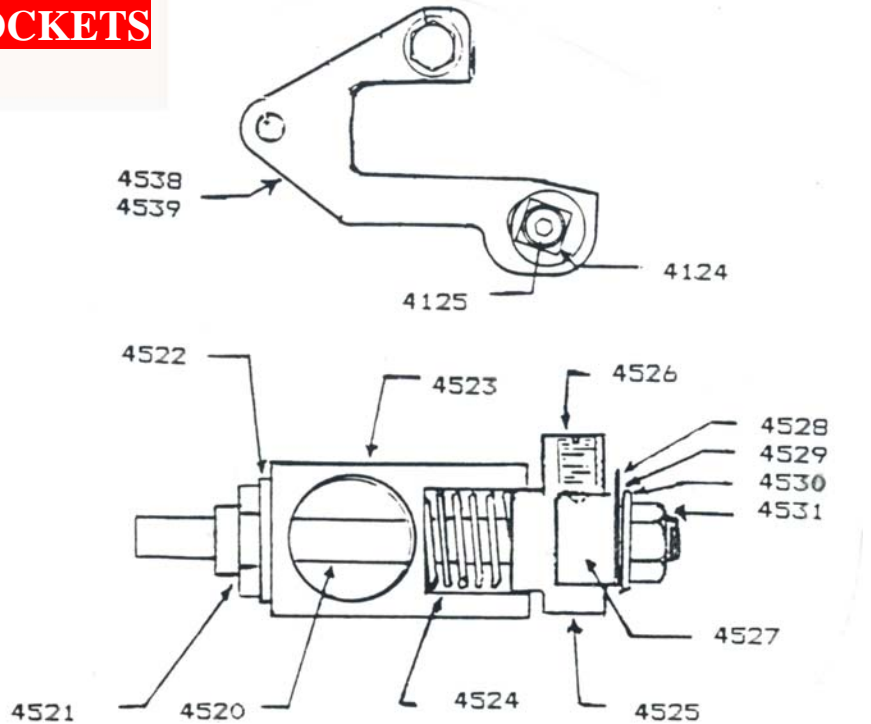
STOCK NO.	DESCRIPTION	GOSS PART NO.
9800	Nut (3/16" Tube)	
9801	Nut (1/4" Tube)	
9802	Nut (5/16" Tube)	
9803	Nut (3/8" Tube)	
9804	Nut (1/2" Tube)	
9805	Nut (5/8" Tube)	
9806	Nut (3/4" Tube)	
9807	Union (3/16" Tube)	
9808	Union (1/4" Tube)	
9809	Union (5/16" Tube)	
9810	Union (3/8" Tube)	
9811	Union (1/2" Tube)	
9812	Union (5/8" Tube)	
9813	Union (3/4" Tube)	
9814	Male Connector (3/16" Tube x 1/8" MPT)	
9815	Male Connector (1/4" Tube x 1/8" MPT)	
9816	Male Connector (5/16" Tube x 1/8" MPT)	
9817	Male Connector (3/8" Tube x 1/8" MPT)	
9818	Male Connector (3/8" Tube x 1/4" MPT)	
9819	Male Connector (1/2" Tube x 1/2" MPT)	
9820	Male Connector (5/8" Tube x 1/2" MPT)	
9821	Male Connector (3/4" Tube x 1/2" MPT)	
9822	Male Elbow (3/16" Tube x 1/8" MPT)	
9823	Male Elbow (1/4" Tube x 1/8" MPT)	
9824	Male Elbow (5/16" Tube x 1/8" MPT)	
9825	Male Elbow (3/8" Tube x 1/8" MPT)	
9826	Male Elbow (3/8" Tube x 1/4" MPT)	
9827	Male Elbow (3/8" Tube x 3/8" MPT)	
9828	Male Elbow (1/2" Tube x 1/4" MPT)	
9829	Male Elbow (1/2" Tube x 3/8" MPT)	
9830	Union Tee (3/16" Tube)	
9831	Union Tee (1/4" Tube)	
9832	Union Tee (5/16" Tube)	
9833	Union Tee (3/8" Tube)	
9834	Union Tee (1/2" Tube)	
9835	Union Tee (5/8" Tube)	
9836	Union Tee (3/4" Tube)	
9837	Male Branch Tee (3/16" Tube x 1/8" MPT)	
9838	Male Branch Tee (1/4" Tube x 1/8" MPT)	
9839	Male Branch Tee (5/16" Tube x 1/8" MPT)	
9840	Male Branch Tee (3/8" Tube x 1/8" MPT)	
9841	Male Branch Tee (3/8" Tube x 1/4" MPT)	



1-888-434-0888
TOLL FREE

UNIT & HALF-DECK: NOTES

UNIT & HALF-DECK: SOCKETS



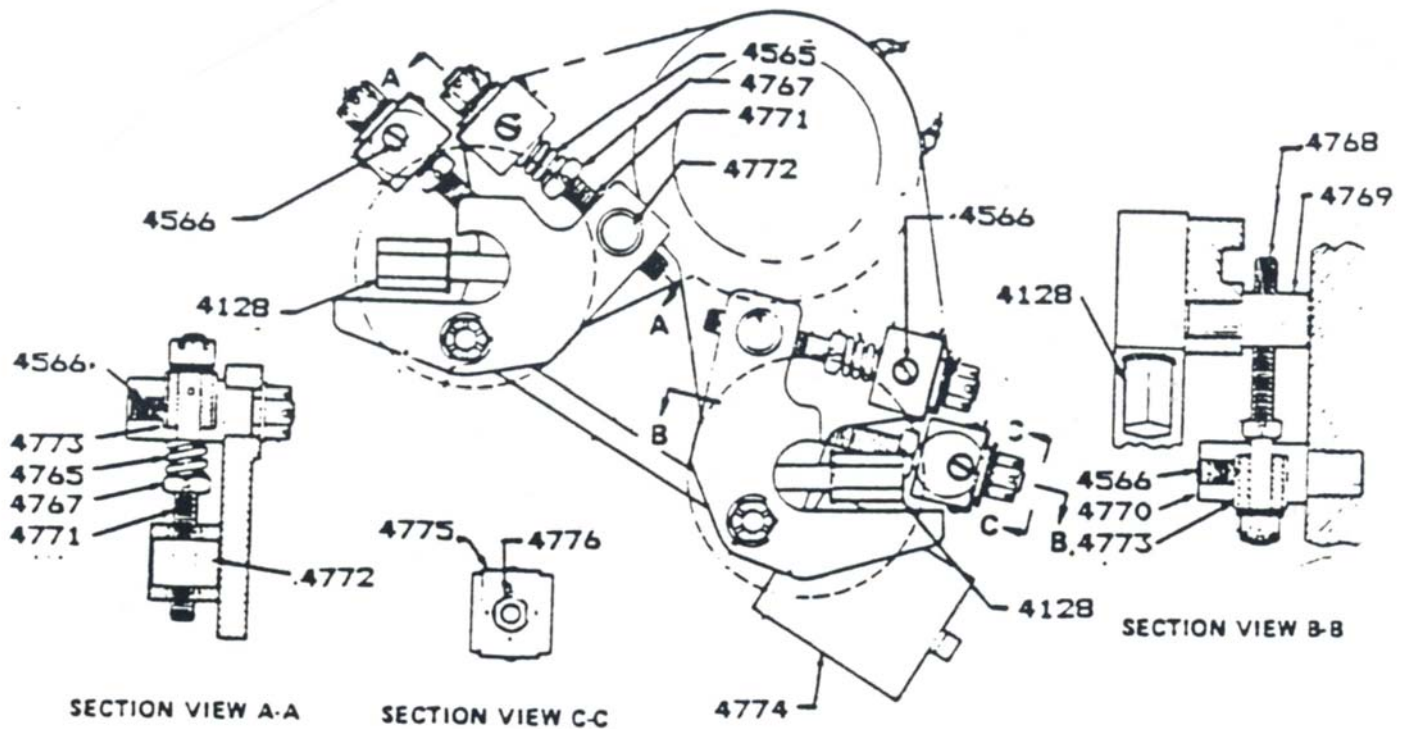
INK TRANSFER & INK TRAIN DAMPENER

STOCK NO.	DESCRIPTION	GOSS PART NO.
4124	Adjusting Cam - ITD Socket	
4125	Bolt - ITD Socket	
4520	Stud	B-146366-0001
4521	Nut	B-146364-0001
4522	Washer	B-146361-0001
4523	Body	C-097608-0001
4524	Spring	897009-0488
4525	Dial Body	B-146360-0001
4526	Plunger	865700-0260
4527	Gear Bar	B-146369-0003
4528	Pointer	B-146365-0001
4529	Wave Washer	930881-0178
4530	Washer	C-040072-2062
4531	Nut	B-146363-0001
4532 *	Assembly	
4533 +	Assembly	
4538 +	ITD Dampener Socket	D-032299-0001
4539 *	ITD Dampener Socket	D-034299-0002

* 10 Side Dr. & 13 Side Op.

+ 10 Side Op. & 13 Side Dr.

UNIT & HALF-DECK: SOCKETS



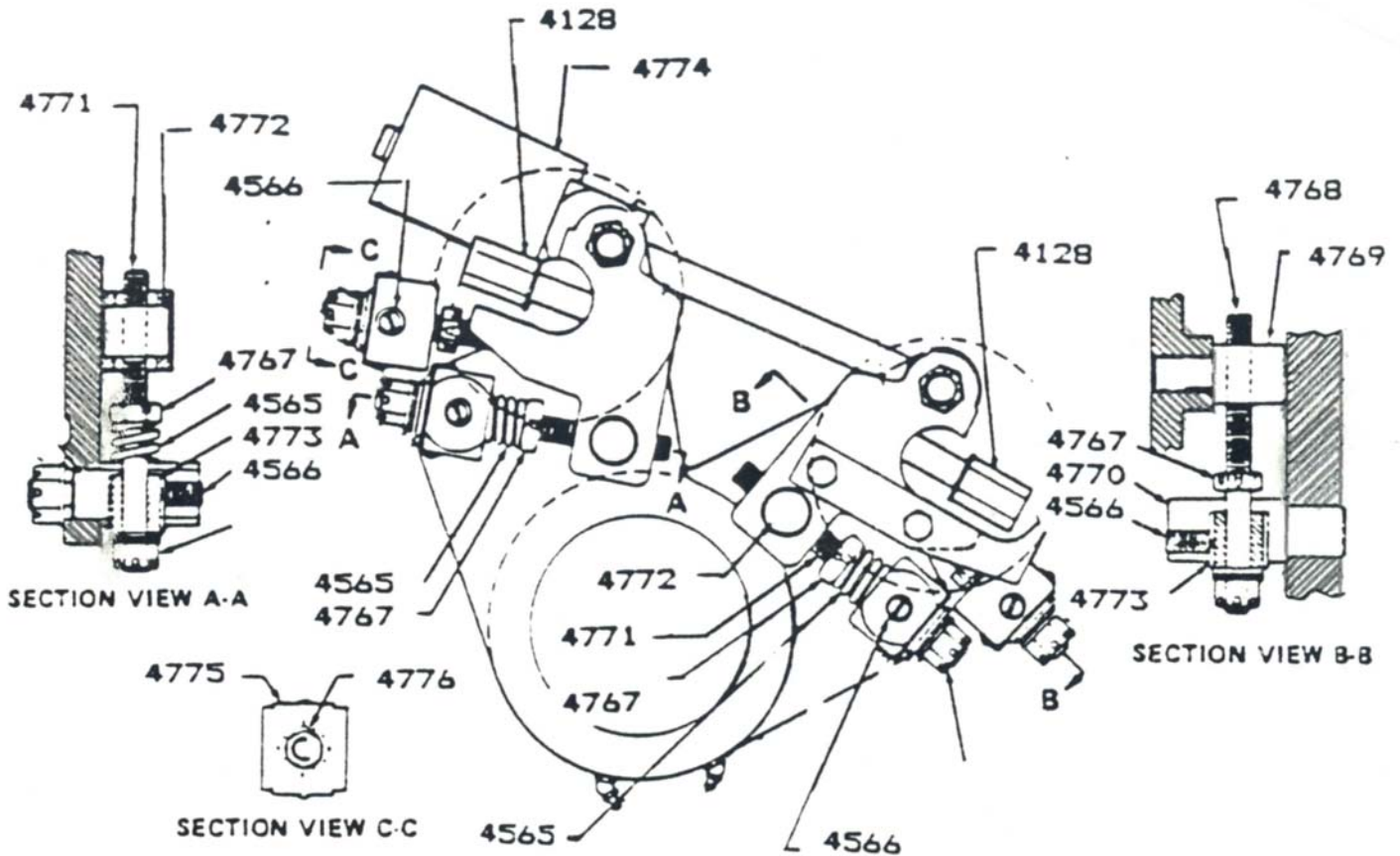
INK FORM ROLLER

STOCK NO.	DESCRIPTION	GOSS PART NO.
4128	Stud	B-146378-0001
4565	Spring	897009-0304
4566	Plunger	865700-0061
4767	Collar	B-133428-0001
4768	Adjusting Screw	B-146373-0001
4769	Adjusting Screw Post	B-146440-0001
4770	Adjusting Screw Post	C-097611-0001
4771	Adjusting Screw	B-146376-0001
4772	Pin Pivot	B-146368-0001
4773	Gear Bar	B-146369-0001
4774	Air Cylinder	B-146516-0001
4775	Dial	B-146374-0001
4776	Pointer	B-146365-0002

www.a-americanpressparts.com

Check our website for updates!

UNIT & HALF-DECK: SOCKETS



SOLID SHAFT ROLLER

STOCK NO.	DESCRIPTION	GOSS PART NO.
4128	Stud	B-146378-0001
4565	Spring	897009-0304
4566	Plunger	865700-0061
4767	Collar	B-133428-0001
4768	Adjusting Screw	B-146373-0001
4769	Adjusting Screw Post	B-146440-0001
4770	Adjusting Screw Post	C-097611-0001
4771	Adjusting Screw	B-146376-0001
4772	Pin Pivot	B-146368-0001
4773	Gear Bar	B-146369-0001
4774	Air Cylinder	B-146516-0001
4775	Dial	B-146374-0001
4776	Pointer	B-146365-0002

www.a-americanpressparts.com

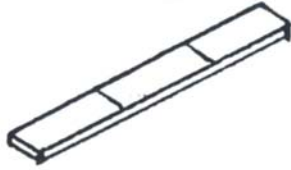
Check our website for updates!



1-888-434-0888
TOLL FREE

UNIT & HALF-DECK: NOTES

UNIT & HALF-DECK: TOOLS & ACCESSORIES



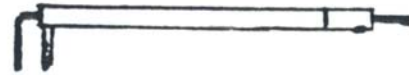
9001
9002



9007



9008



9009



9010
9052



9011



9033



9034



9037



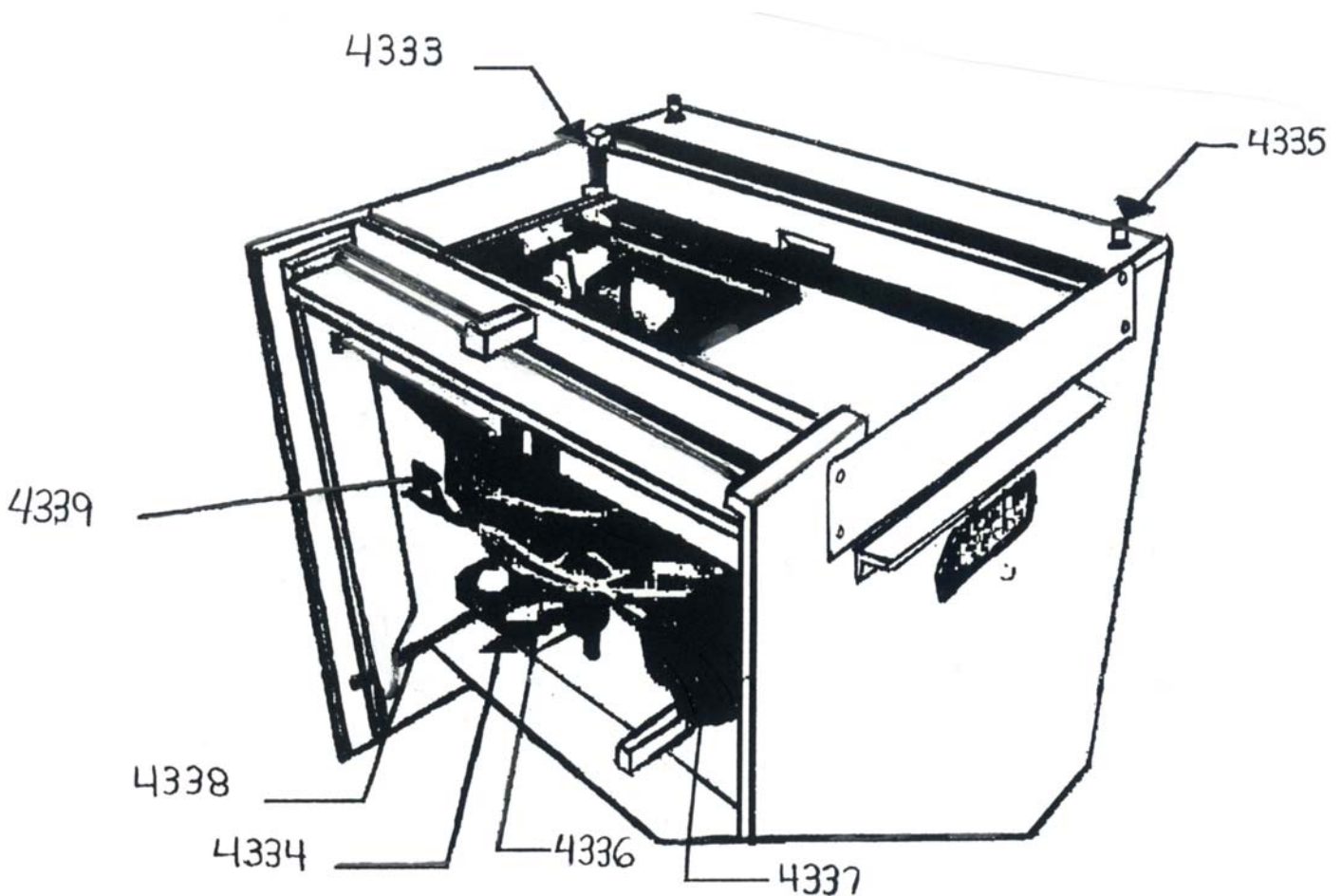
9051

METRO-LINER TOOLS

STOCK NO.	DESCRIPTION	GOSS PART NO.
9001 *	Blanket to Blanket Gage	B-118676-0004
9002 *	Blanket to Common Gage	B-118676-0001
9007	Unit Shifter Wrench	C-069288-0001
9008	Bearer Setting Tool	
9009	Ink Pac Zero Setting Tool	
9010 +	Blanket to Plate Gap Gage	C-096514-0001
9011	Plate Lock-up Wrench (Plain)	
9033	Plate Lock-up Wrench (w/Hook)	
9034	Torque Wrench	
9037	Squeegee (For Ink Rail)	
9051	ASO Rubber Roller Lifter	
9052 ^	Blanket to Plate Gap Gage	

* GO - NO - GO
 + 14-1/2" PRESS
 ^ 13-11/16" PRESS

UNIT & HALF-DECK: TOOLS & ACCESSORIES



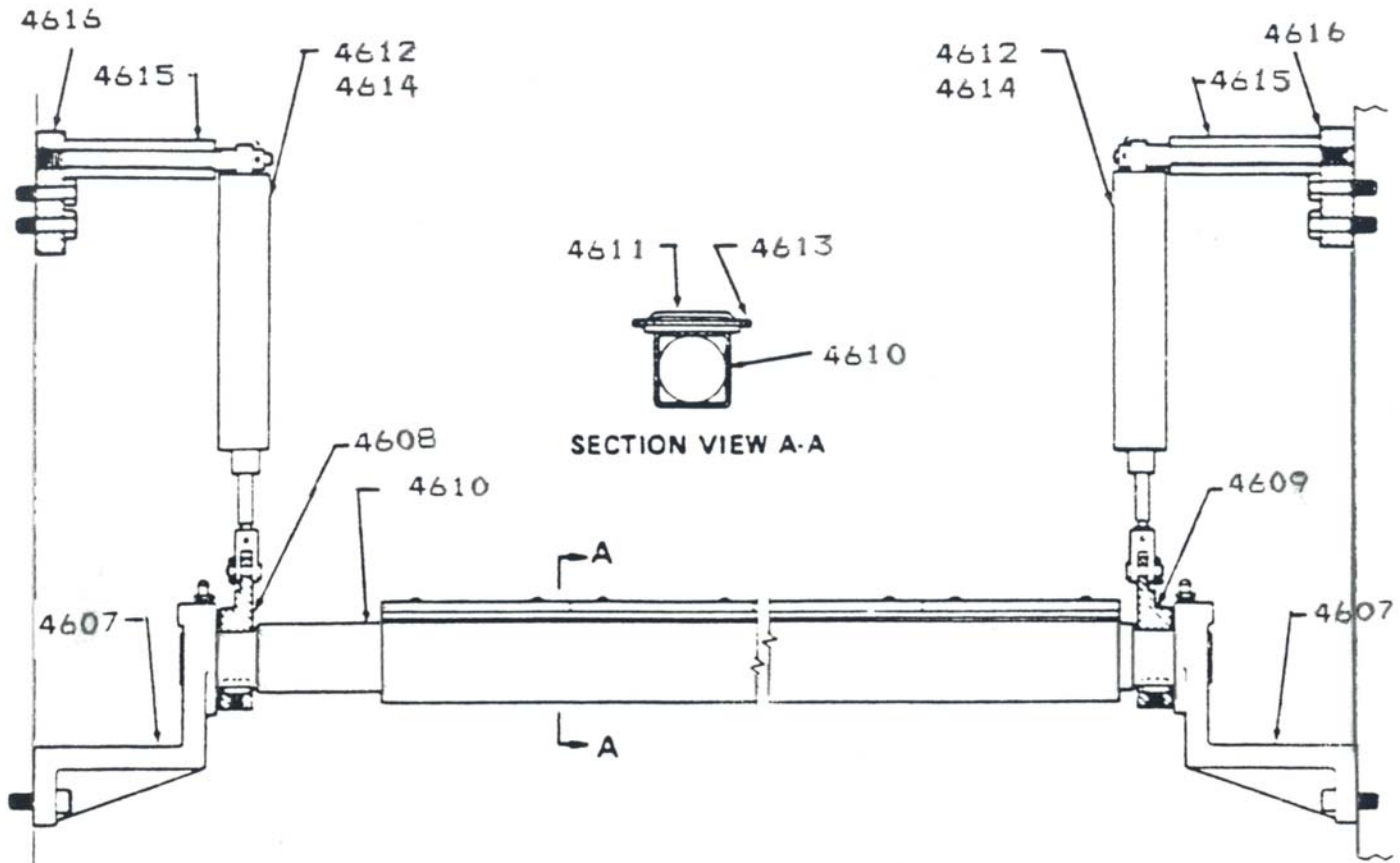
GREGG PLATE BENDER

STOCK NO.	DESCRIPTION	GOSS PART NO.
4333	Spring	
4334	Air Solenoid Manifold	
4335	Air Switch	
4336	Vacuum Pump	
4337	Air Cylinder	
4338	Spring	
4339	Cam Follower	

www.a-americanpressparts.com

Check our website for updates!

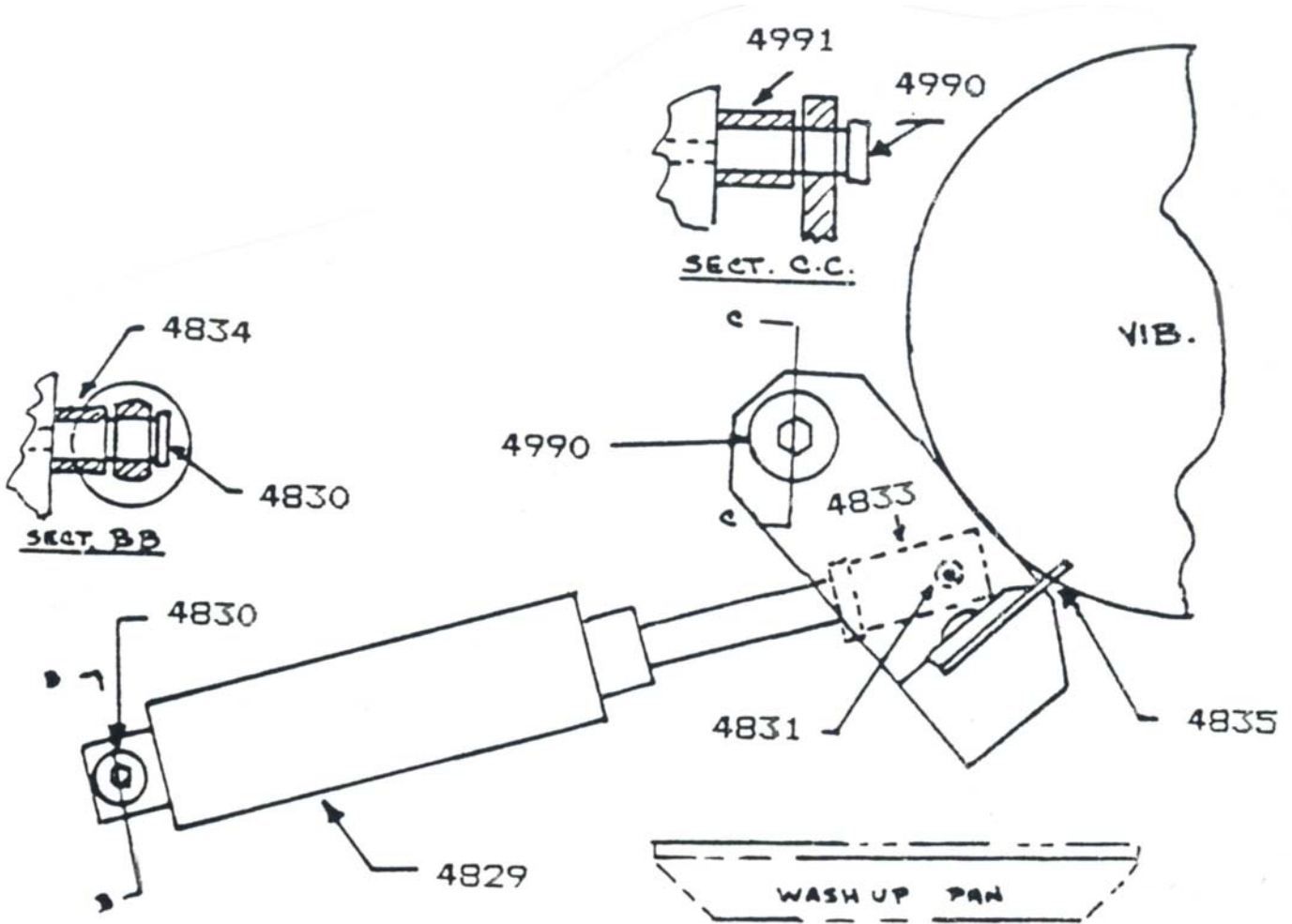
UNIT & HALF-DECK: WASH-UP DEVICE



PNEUMATIC WASHUP DEVICE • METRO-LINER I

STOCK NO.	DESCRIPTION	GOSS PART NO.
4607	Bracket	C-102339-0001
4608	Lever	C-097908-0001
4609	Lever	C-097908-0002
4610	Wiper Shaft	E-005391-0001
4611	Wash-up Blade Clamp	C-097565-0001
4612	Air Cylinder - Non-Rev.	C-101991-0001
4613	Plastic Blade	C-097320-0001
4614	Air Cylinder - Rev.	C-097909-0001
4615	Stand-Off Stud	B-146226-0001
4616	Stand-Off Stud Bracket	

UNIT & HALF-DECK: WASH-UP DEVICE



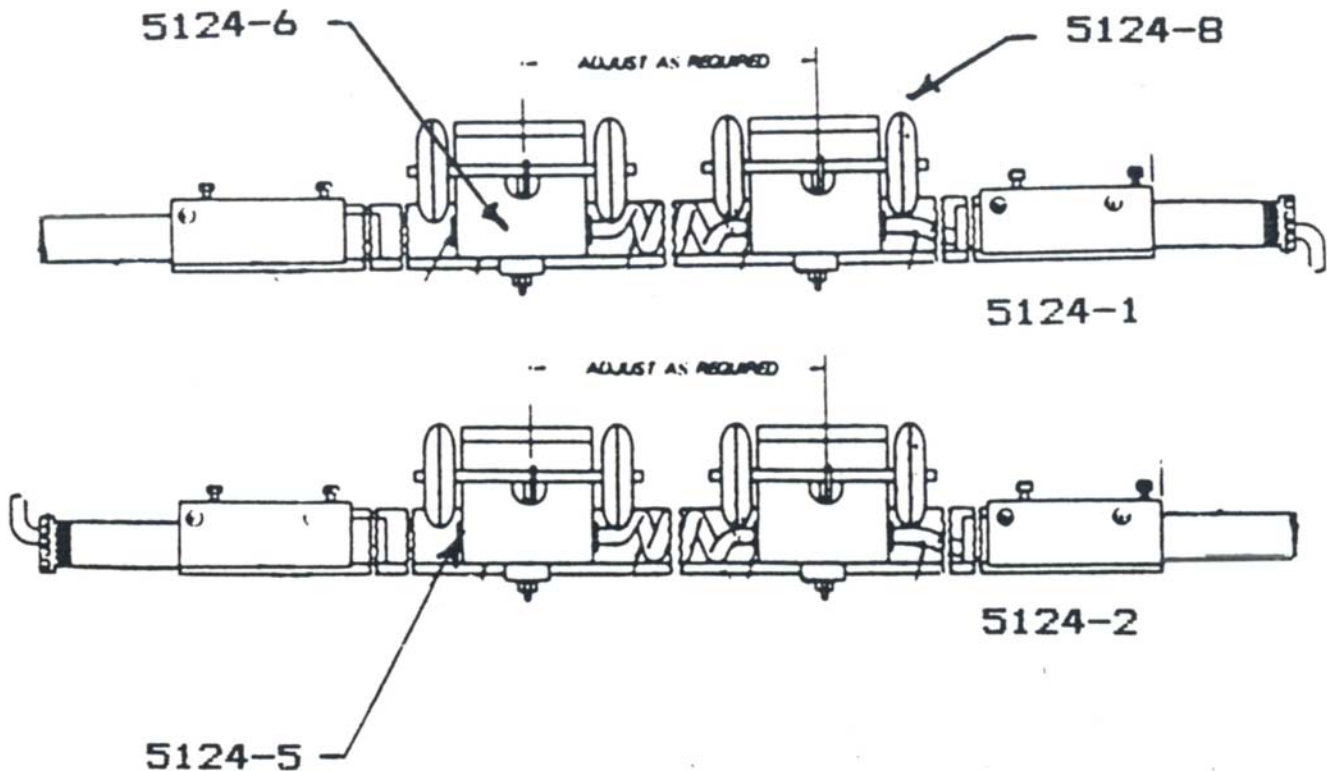
PNEUMATIC WASHUP DEVICE • METRO-LINER II

STOCK NO.	DESCRIPTION	GOSS PART NO.
4829	Air Cylinder	739902-1520
4830	Stripper Bolt	C-040131-3712
4831	Stripper Bolt	C-040131-3706
4833	Rod End	B-151495-0001
4834	Spacer	B-151502-0001
4835	Scraper Blade	C-105967-0001
4990	Stripper Bolt	C-040131-7520
4991	Spacer	C-040064-1612

www.a-americanpressparts.com

Check our website for updates!

UNIT & HALF-DECK: ELECTRICAL SYSTEM



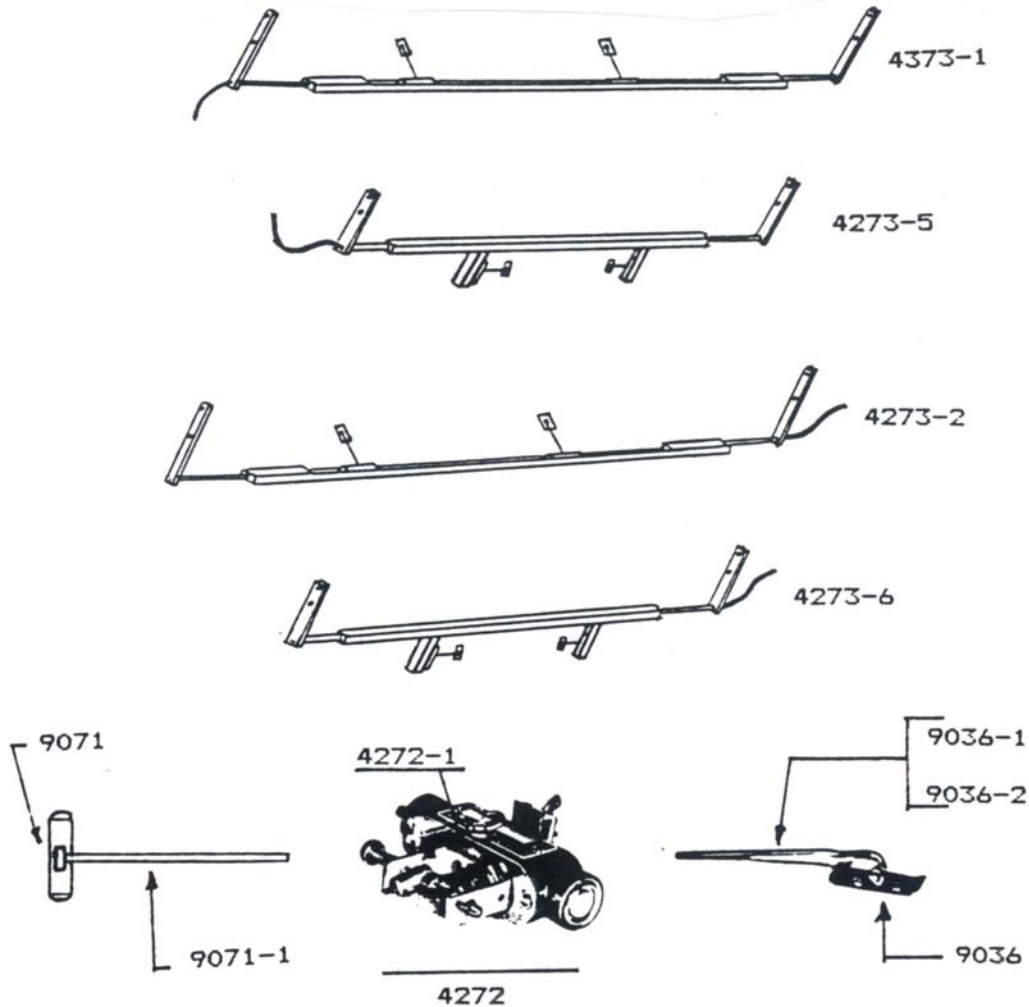
TROLLEY ASSEMBLY

STOCK NO.	DESCRIPTION	GOSS PART NO.
4858	Trolley Relay Box Assembly	
5124-1	Trolley Assembly w/ Bar (RH)	
5124-2	Trolley Assembly w/ Bar (LH)	
5124-5	Single Trolley	
5124-6	Trolley Coil	
5124-7	Trolley Relay	
5124-8	Rubber Wheel	

www.a-americanpressparts.com

Check our website for updates!

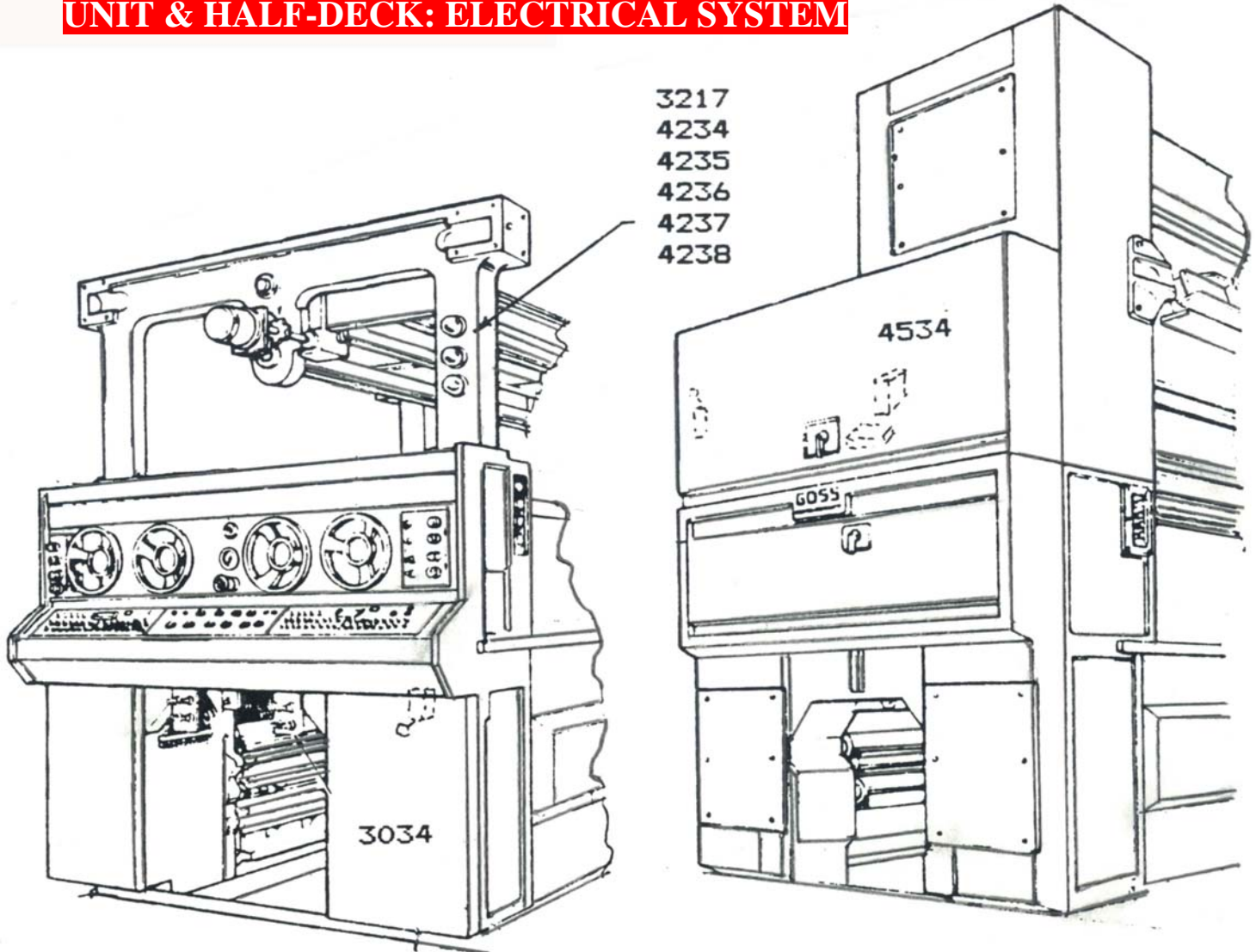
UNIT & HALF-DECK: ELECTRICAL SYSTEM



WEB BREAK DETECTORS

STOCK NO.	DESCRIPTION	GOSS PART NO.
4272	Single Detector	
4272-1	Detector Micro-Switch	
4273-1	Detector Assy - Vert. Paddle w/ Bar (LH)	
4273-2	Detector Assy - Vert. Paddle w/ Bar (RH)	
4273-5	Detector Assy - Horz. Paddle w/ Bar (LH)	
4273-6	Detector Assy - Horz. Paddle w/ Bar (RH)	
9036	Paddle (1" wide)	
9036-1	Arm (7" long)	
9036-2	Arm (6" long)	
9071	Paddle (1/2" wide)	
9071-1	Arm (9" long)	
4272-003	Spring	

UNIT & HALF-DECK: ELECTRICAL SYSTEM



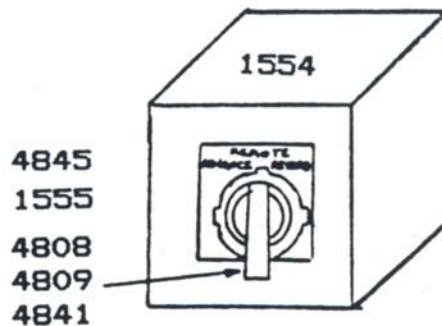
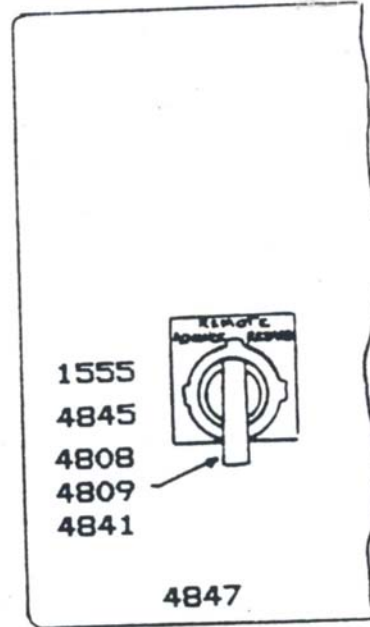
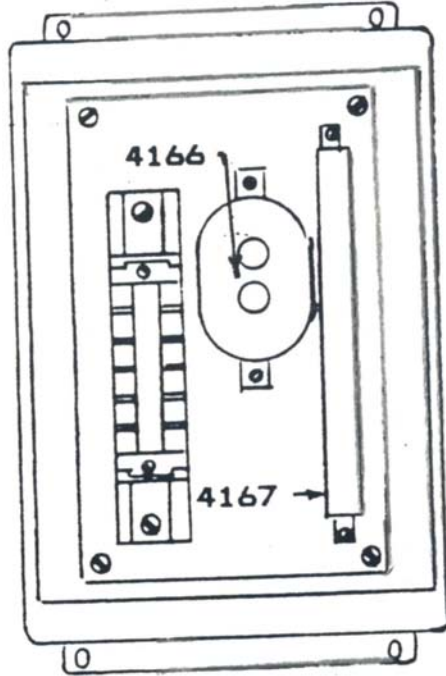
ELECTRICAL SAFETY SYSTEM

STOCK NO.	DESCRIPTION	GOSS PART NO.
3034	Limit Switch - Impression Air Cylinder	899751-8231
3217	Indicating Lamp Base	C-075224-0007
3218	Signal Light Lens (Amber)	C-075224-0009
4234	Signal Light Lens (Red)	C-075224-0003
4235	Signal Light Lens (Green)	C-075224-0004
4236	Signal Light Lens (Clear)	C-075224-0005
4237	Signal Light Lens (White)	C-075224-0006
4238	Signal Light Lens (Blue)	C-075224-0002
4534	Proximity Switch	899700-8075

www.a-americanpressparts.com

Check our website for updates!

UNIT & HALF-DECK: ELECTRICAL SYSTEM



REMOTE COMPENSATOR CONTROL BOX • 1 WAY

STOCK NO.	DESCRIPTION	GOSS PART NO.
1554	Remote Control Box	
1555	Selector Switch	C-080225-0001
4166	Capacitor	731160-6125
4167	Resister	D-017812-0281
4808	Contact Block	C-080226-0005
4809	Contact Block	C-080226-0001
4841	Selector & Actuator	
4845	Actuator	
4847	Remote Comp. Control Box (1 way)	D-032869-0001



1-888-434-0888
TOLL FREE

UNIT & HALF-DECK: NOTES