



**1-888-434-0888**  
**TOLL FREE**

## **GOSS COMMUNITY FOLDER**

### **Table of Contents**

<b>Title:</b>	<b>Page</b>
<b>Roller Top of Former</b>	<b><u>3</u></b>
<b>Idler Pulley - R.T.F. Drive</b>	<b><u>4</u></b>
<b>Belt Tightener - R.T.F. Drive</b>	<b><u>5</u></b>
<b>Trolley Assembly</b>	<b><u>6</u></b>
<b>Former Assembly</b>	<b><u>7</u></b>
<b>Roller Point of Former</b>	<b><u>8</u></b>
<b>Nipping Roller Assembly</b>	<b><u>9</u></b>
<b>Second Nipping Rollers</b>	<b><u>11</u></b>
<b>Horizontal Drive - Upper Former</b>	<b><u>13</u></b>
<b>Intermediate Gears - Nip Roller Drive</b>	<b><u>14</u></b>
<b>Cutting Cylinder</b>	<b><u>15</u></b>
<b>Cutting Cylinder - Cross Section View</b>	<b><u>17</u></b>
<b>Knife Bar Assembly</b>	<b><u>18</u></b>
<b>Jaw Cylinder - Half Fold</b>	<b><u>19</u></b>
<b>Jaw Cylinder - Half Fold - Cross Section View</b>	<b><u>21</u></b>
<b>Jaw Cylinder - Parallel Fold</b>	<b><u>23</u></b>
<b>Jaw Cylinder - Parallel Fold</b>	<b><u>24</u></b>
<b>Delivery</b>	<b><u>25</u></b>
<b>Delivery - Choke Release Arrangement</b>	<b><u>27</u></b>
<b>Delivery Drive Idler Sprocket</b>	<b><u>28</u></b>
<b>Delivery Extension</b>	<b><u>29</u></b>
<b>Kicker</b>	<b><u>30</u></b>
<b>Kicker</b>	<b><u>32</u></b>
<b>Cutting Cylinder Shoe Assembly</b>	<b><u>33</u></b>
<b>Guide Shoes - Half Fold</b>	<b><u>34</u></b>



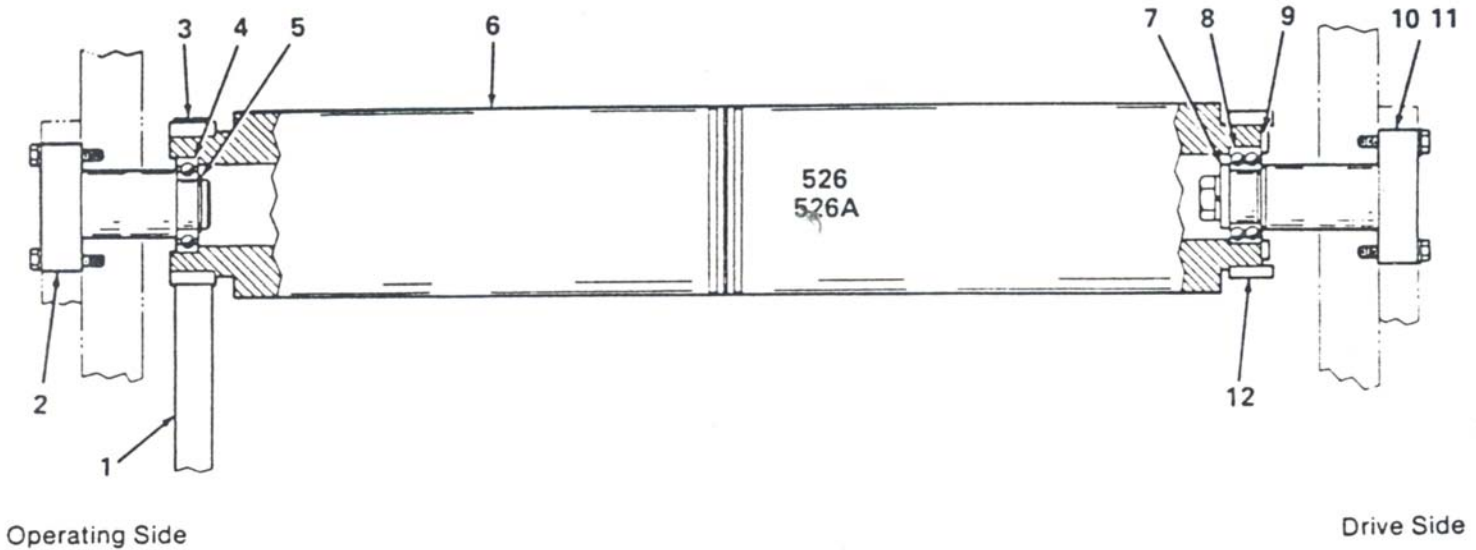
**1-888-434-0888**  
**TOLL FREE**

<b>Stripper Shoe Assembly - Quarter Fold</b>	<b><u><a href="#">35</a></u></b>
<b>Jaw Cylinder Combing Brush</b>	<b><u><a href="#">36</a></u></b>
<b>Shoe Assembly</b>	<b><u><a href="#">37</a></u></b>
<b>Jaw Cylinder Stripper Shoes</b>	<b><u><a href="#">39</a></u></b>
<b>Combing Blade &amp; Stripper Assembly - Parallel Fold</b>	<b><u><a href="#">40</a></u></b>
<b>Drive Shafts &amp; Trolley Shaft - Quarter Fold</b>	<b><u><a href="#">41</a></u></b>
<b>Main Drive Shaft Assy - Single Motor</b>	<b><u><a href="#">43</a></u></b>
<b>Main Drive Shaft Assy - Dual Motor</b>	<b><u><a href="#">44</a></u></b>
<b>Vertical Drive Shaft Assembly</b>	<b><u><a href="#">45</a></u></b>
<b>Horizontal Drive to Jaw Cylinder</b>	<b><u><a href="#">46</a></u></b>
<b>Drive Disconnect - Quarter Fold</b>	<b><u><a href="#">48</a></u></b>
<b>Intermediate Drive Gear - Quarter Fold</b>	<b><u><a href="#">49</a></u></b>
<b>Shoes - Parallel Fold</b>	<b><u><a href="#">50</a></u></b>
<b>Centering Screw - Quarter Fold</b>	<b><u><a href="#">51</a></u></b>
<b>Idler Sprocket Assembly - Nip Roller Drive</b>	<b><u><a href="#">52</a></u></b>
<b>Tape Roller Assembly - Quarter Fold</b>	<b><u><a href="#">53</a></u></b>
<b>Tape Take-up - Quarter Fold</b>	<b><u><a href="#">54</a></u></b>
<b>Belt Tightener - Quarter Fold</b>	<b><u><a href="#">55</a></u></b>
<b>Tape Drive Shaft Assembly - Quarter Fold</b>	<b><u><a href="#">56</a></u></b>
<b>Lower Nipping Pulleys - Quarter Fold</b>	<b><u><a href="#">57</a></u></b>
<b>Upper Nip Pulley - Quarter Fold</b>	<b><u><a href="#">58</a></u></b>
<b>Folding Table - Quarter Fold</b>	<b><u><a href="#">59</a></u></b>
<b>Tape &amp; Paper Stop - Quarter Fold</b>	<b><u><a href="#">60</a></u></b>
<b>Intermediate Folding Drive - Quarter Fold</b>	<b><u><a href="#">61</a></u></b>
<b>Intermediate Gear to Folding Motion - Quarter Fold</b>	<b><u><a href="#">62</a></u></b>
<b>Folding Motion - Quarter Fold</b>	<b><u><a href="#">63</a></u></b>
<b>Folding Rollers - Quarter Fold</b>	<b><u><a href="#">64</a></u></b>
<b>Delivery Shoes - Quarter Fold</b>	<b><u><a href="#">65</a></u></b>
<b>Delivery Fly Shaft - Quarter Fold</b>	<b><u><a href="#">66</a></u></b>

[www.a-americanpressparts.com](http://www.a-americanpressparts.com)

Check our website for updates!

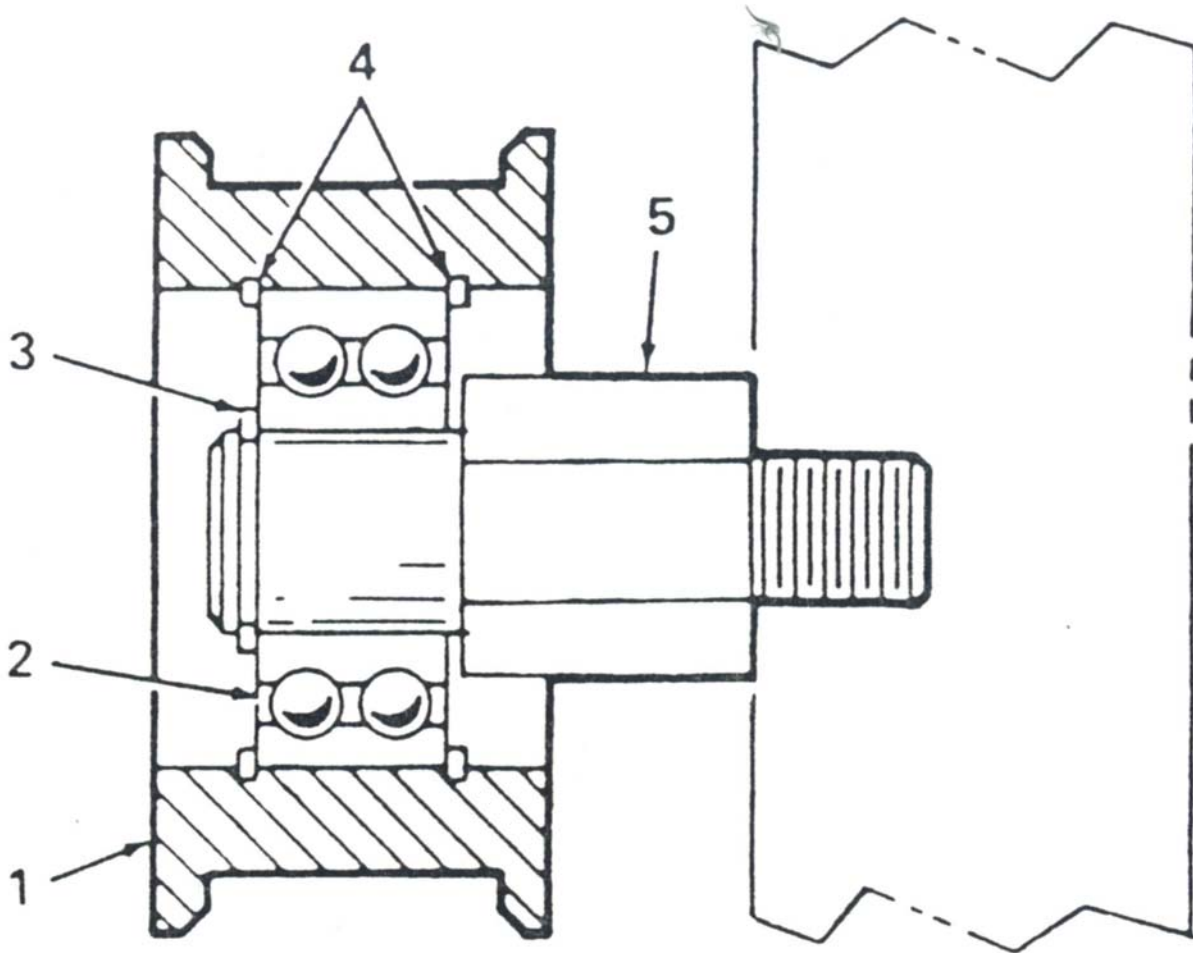
**COMMUNITY FOLDER**



**ROLLER TOP OF FORMER**

NO.	STOCK NO.	DESCRIPTION	GOSS PART NO.
1	21152	Timing Belt	502-723675
2	20569	Journal	1C-085507
3	20570	Pulley	1C-076938
4	21153	Bearing	6210C-040104
5	20571	Retaining Ring	1196-885470
6	20568	Roller Top opf Former (7" OD)	1C-076974
	20138	Roller Top opf Former (5" OD)	1C-076794
7	20572	Washer	522C-040070
8	20573	Bearing	280-722605
9	20574	End Plate	B-127277
10	20575	Shim Set	27C-040009
11	20576	Journal	1C-085506
12	20570	Pulley for belt to upper former.	1C-076938

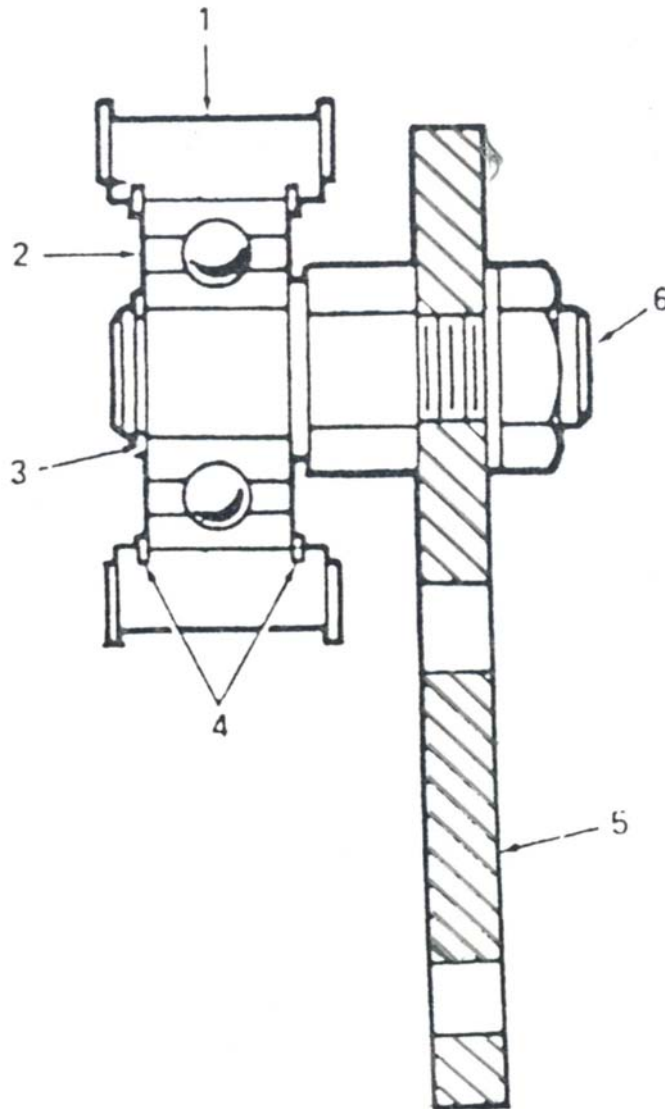
**COMMUNITY FOLDER**



**IDLER PULLEY - R.T.F. DRIVE**

NO.	STOCK NO.	DESCRIPTION	GOSS PART NO.
1	20580	Idler Pulley	1B-102679
2	20581	Bearing	285-722605
3	20582	Retaining Ring	98C-040164
4	21168	Retaining Ring	545-885470
5	20583	Stud	B-096093

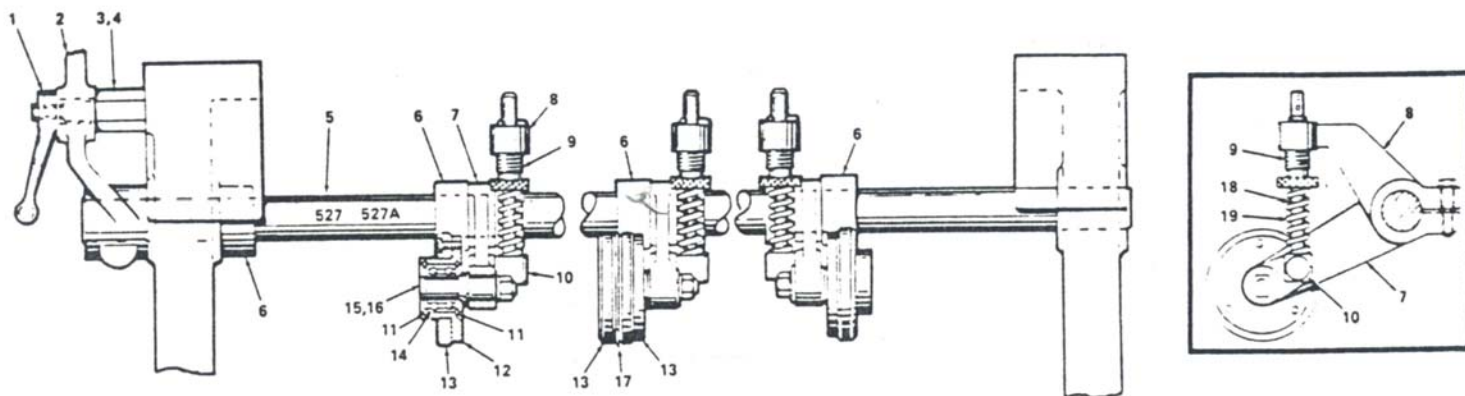
**COMMUNITY FOLDER**



**BELT TIGHTENER - R.T.F. DRIVE**

NO.	STOCK NO.	DESCRIPTION	GOSS PART NO.
1	20580	Idler Pulley	1B-102679
2	20581	Bearing	285-722605
3	20582	Retaining Ring	98C-040164
4	21168	Retaining Ring	545-885470
5	21169	Belt Tighten Lever	C-097707
6	20583	Stud	C-096093

**COMMUNITY FOLDER**

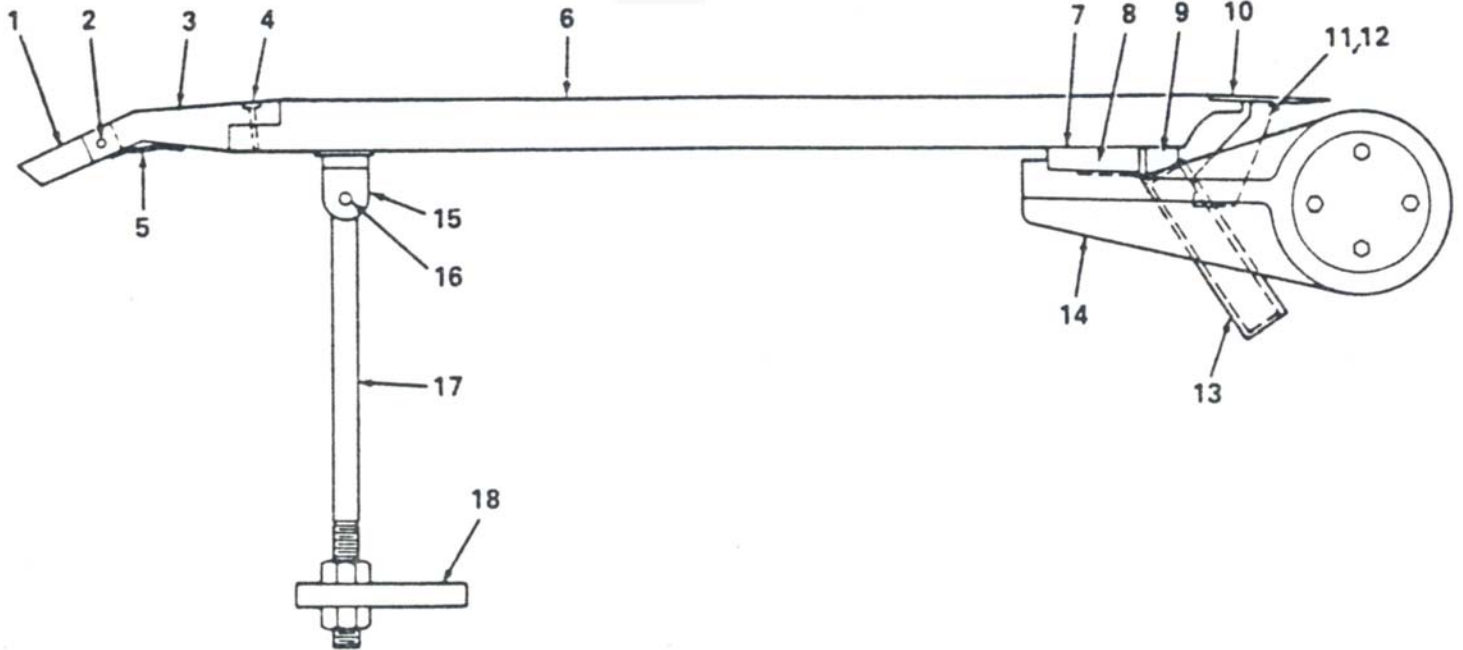


**TROLLEY ASSEMBLY**

NO.	STOCK NO.	DESCRIPTION	GOSS PART NO.
1	20350	Locknut	1B-098522
2	20584	Hand Lever	1B-073979
3	20585	Stud	1B-098533
4	20586	Washer	1AR-007114
5	20587	Trolley Shaft	1B-097777
6	20588	Collar	1500C-040081
7	20589	Lever	1B-113472
8	20590	Spring Lever	1B-118184
9	20371	Adjusting Screw	1A-008886
10	20392	Spring Rod Stud	1A-008888
11	188	Retaining Ring	535-885470
12	20336	Trolley Hub	1B-113477
13	20096	Trolley	1B-113736
14	1854	Bearing	274-722605
15	20388	Spindle	1B-113497
16	1856	Retaining Ring	78C-040164
17	20003	Slitter Knife	1B-113739
18	20362	Spring Rod	1D-075796
19	20163	Spring	1A-008889



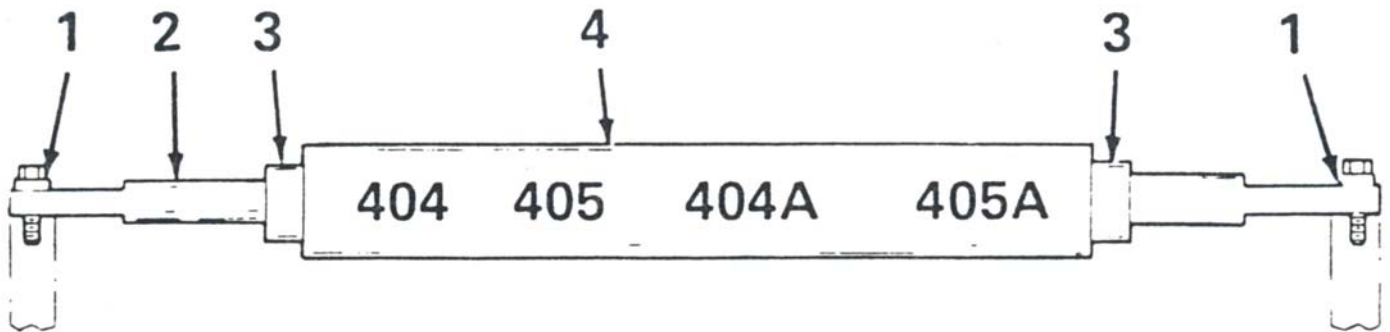
**COMMUNITY FOLDER**



**FORMER ASSEMBLY**

NO.	STOCK NO.	DESCRIPTION	GOSS PART NO.
1	20591	Former Nose	1B-117469
2	20592	Screw for Nose	AR-003409
3	20593	Former Point	D-021491
4	20594	Screw for Point	AR-002874
5	20164	Spring	1AR-004104
6	20596	Former	1D-017547
7	20597	Shim	14B-120452
8	20598	Support Bar	C-076939
9	20599	Vertical Adjustment Bracket	1B-104842
10	20600	Insert	C-059072
11	20157	Slitter Scraper	B-124768
12	20158	Bracket For Scraper	B-124769
13	20601	Dust Pan	1C-059248
14	20602	Support Bracket	C-076973
15	20599	Adjustment Bracket	1B-104842
16	20604	Coupling Bolt	12C-040008
17	20605	Support Rod	1B-097733
18	20606	Support Rod Bracket	B-124766

**COMMUNITY FOLDER**



**ROLLER POINT OF FORMER**

NO.	STOCK NO.	DESCRIPTION	GOSS PART NO.
1	20603	Washer	AR-008361
2	20142	Shaft	B-104444
3	30100	Bearing	10-722605
4	20183	Roller	1C-058981

[www.a-americanpressparts.com](http://www.a-americanpressparts.com)

Check our website for updates!





**1-888-434-0888**  
**TOLL FREE**

**COMMUNITY FOLDER**

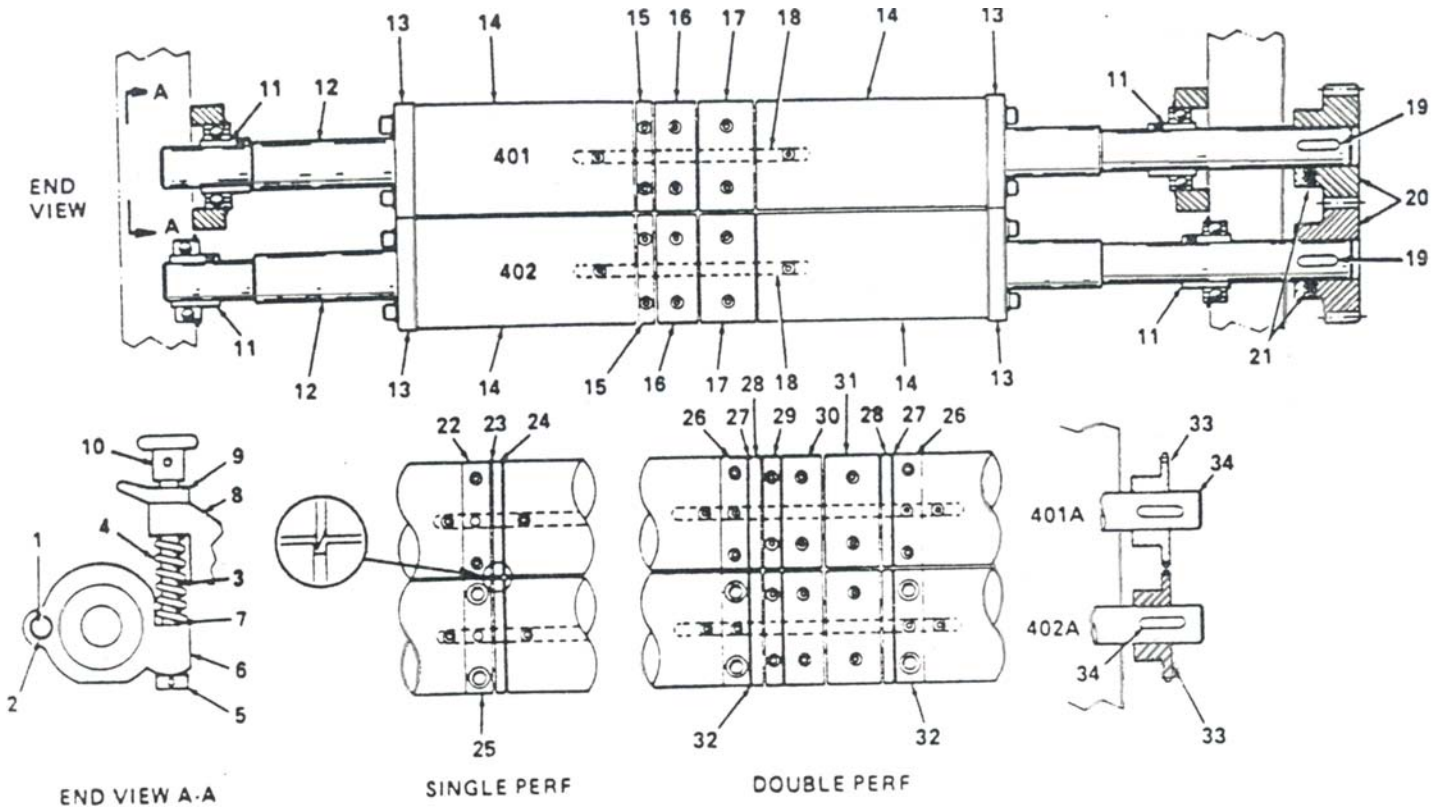
**NIPPING ROLLER ASSEMBLY**

<b>NO.</b>	<b>STOCK NO.</b>	<b>DESCRIPTION</b>	<b>GOSS PART NO.</b>
1	20604	Stripper Bolt	751c-040131
2	20107	Bushing	29-729400
3	20605	Adjustment Rod	1B-10267
4	20162	Spring	AR-004434
5	20349	Collar	1B-102672
6	20345	Lever	C-057782
7	20334	Washer	AR-001390
8	20606	Bracket	1B-102672
9	20607	Locknut	AR-001652
10	20608	Knob	1B-102674
11	20270	Bearing	78-722687
12	20143	Shaft	4C-063373
13	20131	Nipping Ring	1B-140827
14	20609	Pulley for Nipping Roler	1B-147988
15	20610	Filler Ring, 7/8 inch	1B-127221
16	20611	Filler Ring, 1/2 inch	4B-127221
17	20612	Filler Ring, 2 inch	7B-127221
18	20613	Key	14B-089054
19	20614	Key	100C-040003
20	20123	Gear	1C-070403
21	40032	Spotting Set Screw	2B-105603
22	20615	Perforator Pulley	B-107778
	20358	Perforator Pulley	B-108645
23	1800	Perforator Knife	B-107779
24	20616	Knife Retainer	B-107786
25	20357	Perforator Pulley	B-107788
	20358	Perforator Pulley	B-108645
26	20357	Perforator Pulley	B-107788
27	20617	Knife	B-111491
28	20616	Knife Retainer	B-107786
29	20610	Filler Ring, 7/8 inch	1B-127221
30	20611	Filler Ring, 1/2 inch	4B-127221
31	20612	Filler Ring, 2 inch	7B-127221
32	20357	Perforator Pulley	B-107788
33	20170	Sprocket	1B-110416
34	20614	Key	100C-040003

[www.a-americanpressparts.com](http://www.a-americanpressparts.com)

Check our website for updates!

**COMMUNITY FOLDER**



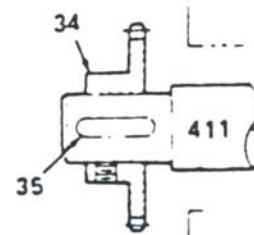
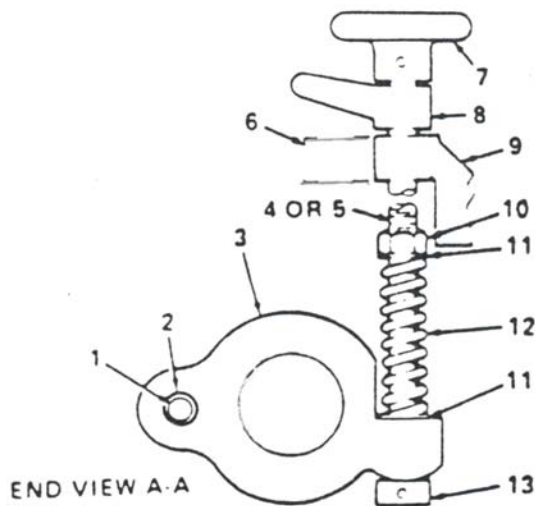
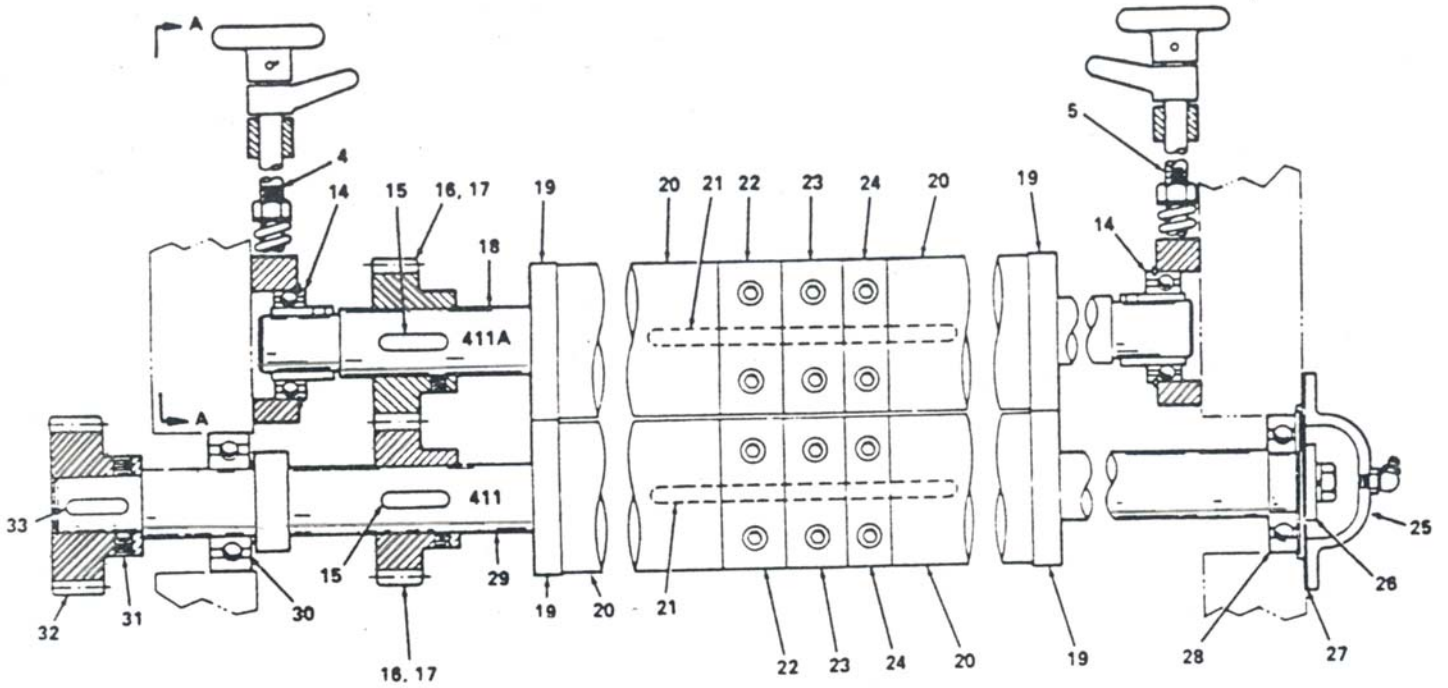


**1-888-434-0888**  
**TOLL FREE**

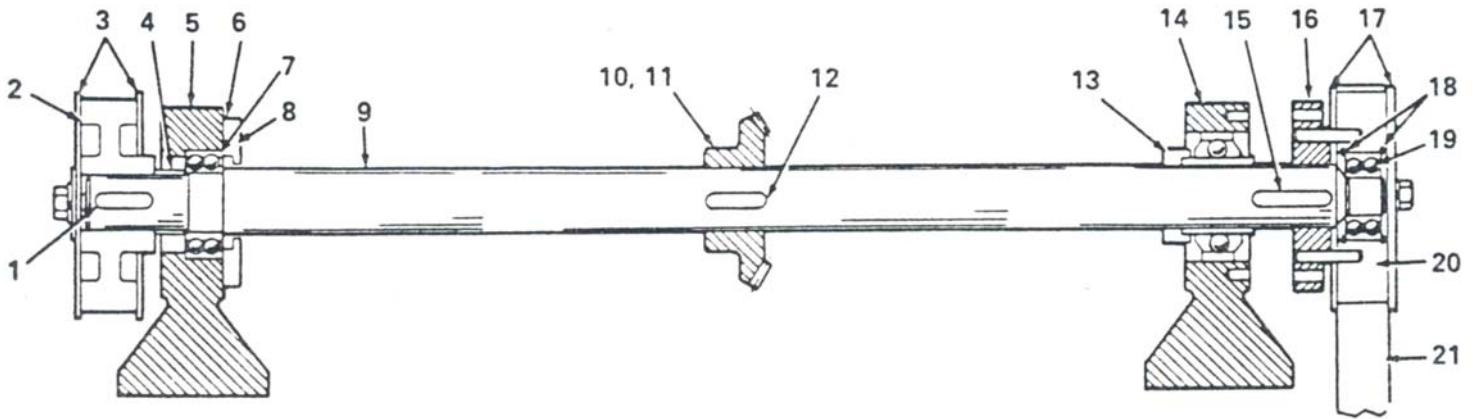
**COMMUNITY FOLDER**

**SECOND NIPPING ROLLERS**

<b>NO.</b>	<b>STOCK NO.</b>	<b>DESCRIPTION</b>	<b>GOSS PART NO.</b>
1	20604	Stripper Bolt	751C-040131
2	2107	Bushing	29-729400
3	20345	Lever	1C-057782
4	20618	Adjustment Rod, Dr. Side	4B-102673
5	20619	Adjustment Rod, Op. Side	5B-102673
6	20620	Bracket, Op Side	1B-127224
7	20608	Knob	1B-102674
8	20609	Locknut	AR-001708
9	20606	Bracket, Dr. Side	B-102675
10	20621	Nut	5020C-040148
11	20334	Washer	AR-001390
12	20162	Spring	AR-004434
13	20349	Collar	1B-102672
14	21154	Bearing	335-722605
15	20622	Key	125C-040003
16	20124	Gear	1C-076916
17		Spotting Set Screw	
18	20144	Adjustable Shaft	1C-076917
19	20131	Nipping Ring	1B-140827
20	20623	Nipping Roller Pulley	21B-107783
21	20624	Key	6B-089054
22	20612	Filler Ring, 2 inch	7B-127221
23	20611	Filler Ring, 1-1/2 inch	4B-127221
24	20610	Filler Ring, 7/8 inch	1B-127221
25	20625	End Plate	26B-055044
26	20626	Washer	416C-040070
27	20627	Shim Set	57C-040009
28	20628	Bearing	233-722605
29	20145	Fixed Shaft	1C-076918
30	20629	Bearing	11-722605
31		Spotting Set Screw	
32		Gear	
33	20614	Key	100C-040003
34	20170	Sprocket	1B-110416
35		Key	



**COMMUNITY FOLDER**

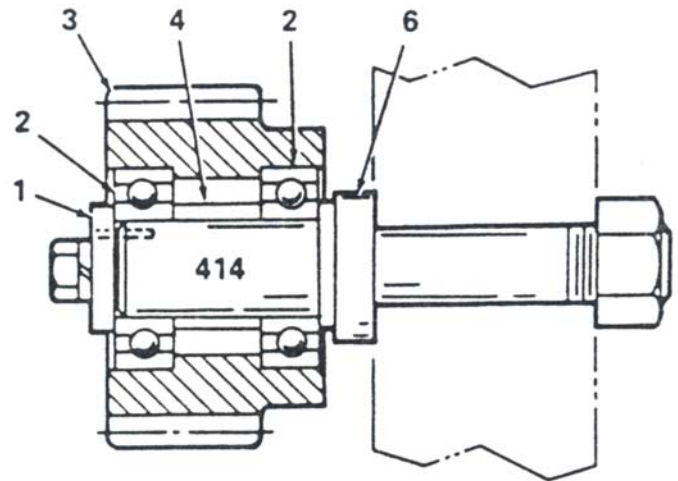
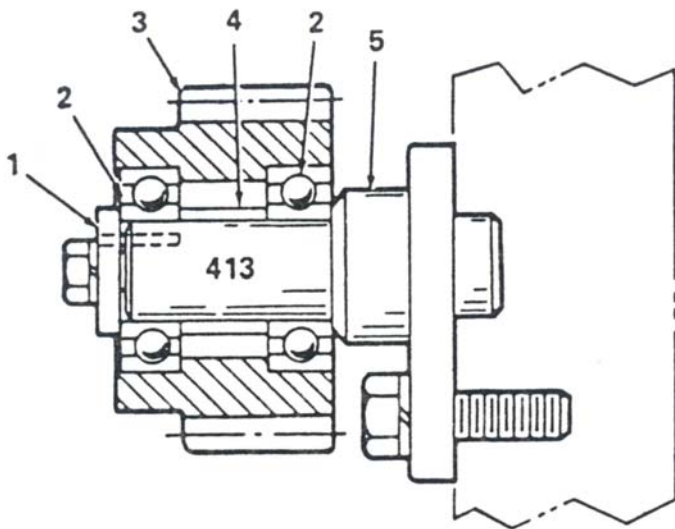


**HORIZONTAL DRIVE - UPPER FORMER**

NO.	STOCK NO.	DESCRIPTION	GOSS PART NO.
1	40557	Key	174C-040003
2	20630	Pulley	1C-076887
3	20631	Retaining Ring	4B-109286
4	20632	Spacer	3610C-040064
5		Bracket	
6	20633	Shim Set	5B-103178
7	20634	Bearing	279-722605
8	20635	End Plate	1B-103177
9	20636	Shaft	1C-077042
10	20637	Bevel Gear	2C-077041
11	40074	Spotting Set Screw	1AR-001447
12	20638	Key	175C-040003
13	20639	Bearing	1C-077037
14	20640	Bracket	1C-077038
15	20641	Key	223C-040003
16	20642	Silencing Hub	1C-077039
17	20631	Retaining Plate	4B-109286
18	20644	Retaining Ring	552-885470
19	1983	Bearing	286-722605
20	20645	Pulley	1C-077040
21	20180	Timing Belt	358-723675



**COMMUNITY FOLDER**



**INTERMEDIATE GEARS - NIP ROLLER DRIVE**

NO.	STOCK NO.	DESCRIPTION	GOSS PART NO.
1	40600	Washer	312C-040070
2	4406	Bearing	289-722605
3	20643	Gear	1C-066095
4		Spacer	
5	20646	Stud	1C-066097
6	20647	Stud	1B-110082



**1-888-434-0888**  
**TOLL FREE**

**COMMUNITY FOLDER**

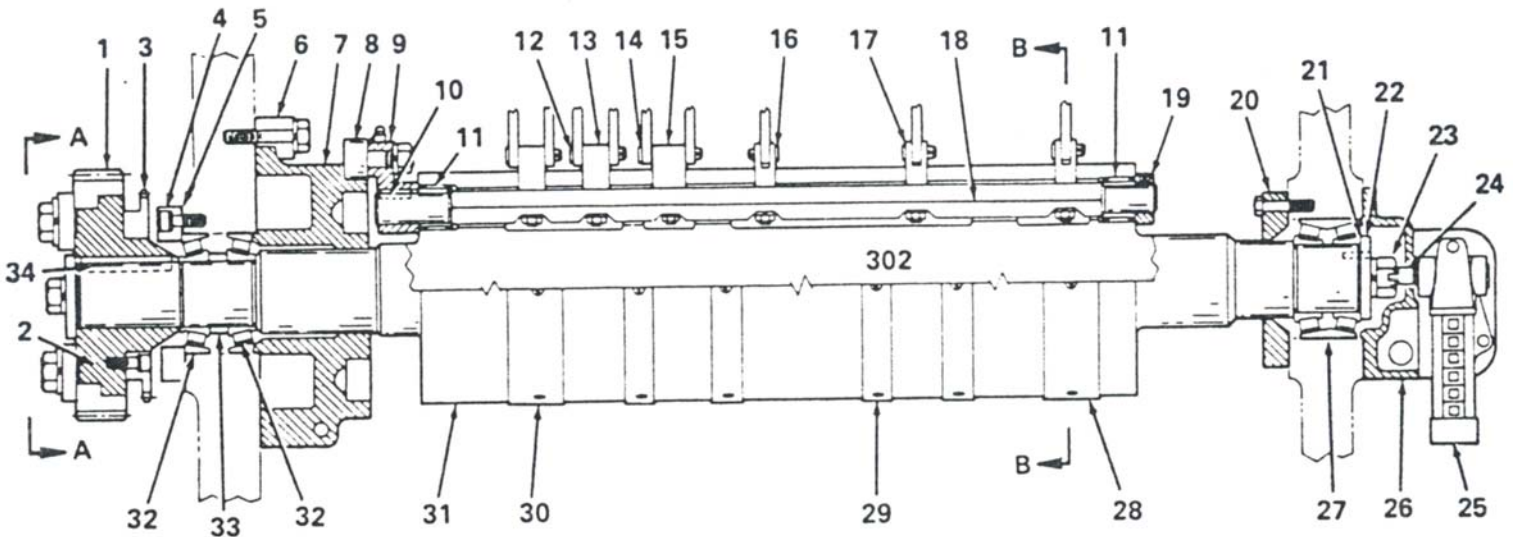
**CUTTING CYLINDER**

<b>NO.</b>	<b>STOCK NO.</b>	<b>DESCRIPTION</b>	<b>GOSS PART NO.</b>
1	20125	Gear Rim	C-061232
2	20648	Hub for Gear	C-061233
3	20649	Sprocket	1C-076920
4	20650	End Plate	1B-127223
5	20651	Shim Set	5B-094851
6	20652	Clamping Lug	1B-144810
7	20108	Cam Assembly	1B-119534
	20109	Cam Assembly	1D-032853
8	20113	Cam Follower	1031-766509
9	20521	Pin Cam Lever	B-097520
	21155	Pin Cam Lever	B-149697
10	20653	Key	51C-040003
11	20654	Needle Bearing	550-722657
12	20001	Clevis Pin	42-863300
13	20462	Pin Lever	1B-102382
14	21156	Clevis Pin	43-863300
15	21157	Pin Lever	B-151453
16	20135	Clevis Pin	40-863300
17	20049	Pin Lever	B-102300
18	20655	Pin Lever Shaft	1C-061591
19	20656	Collar	875C-040081
20	20657	End Plate	B-097636
21	20658	Shim Set	4B-099118
22		Washer	
23		Cap Screw	
24	20659	Sleeve for Counter Shaft	1A-005302
25	20660	Counter Assembly	FR-013167
26		End Cap	
27	20661	Roller Bearing	1027-722673
28	20662	Friction Strip	1B-104418
29	20663	Friction Strip	1B-104417
30	20664	Friction Strip	1B-107843
31	20666	Cylinder	F-000525
32	20667	Roller Bearing	1029-722673
33	20668	Spacer	3B-095937
34	30085	Key	247C-040003

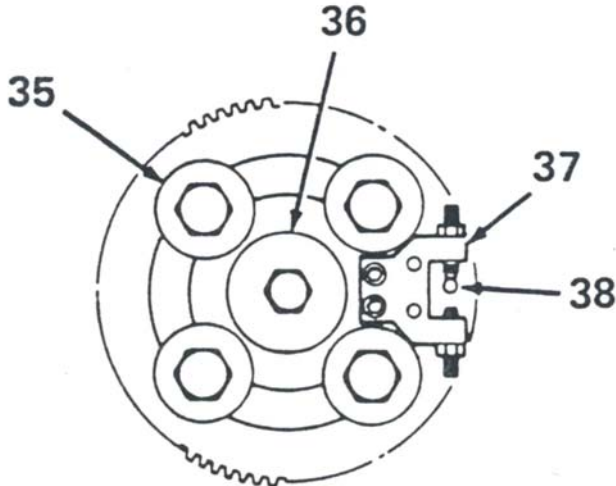
[www.a-americanpressparts.com](http://www.a-americanpressparts.com)

Check our website for updates!



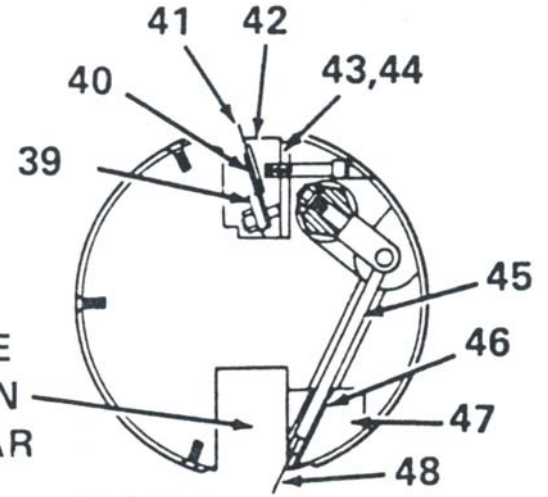


**COMMUNITY FOLDER**



**SECTION VIEW A-A**

SEE SEPARATE  
 ILLUSTRATION  
 FOR KNIFE BAR

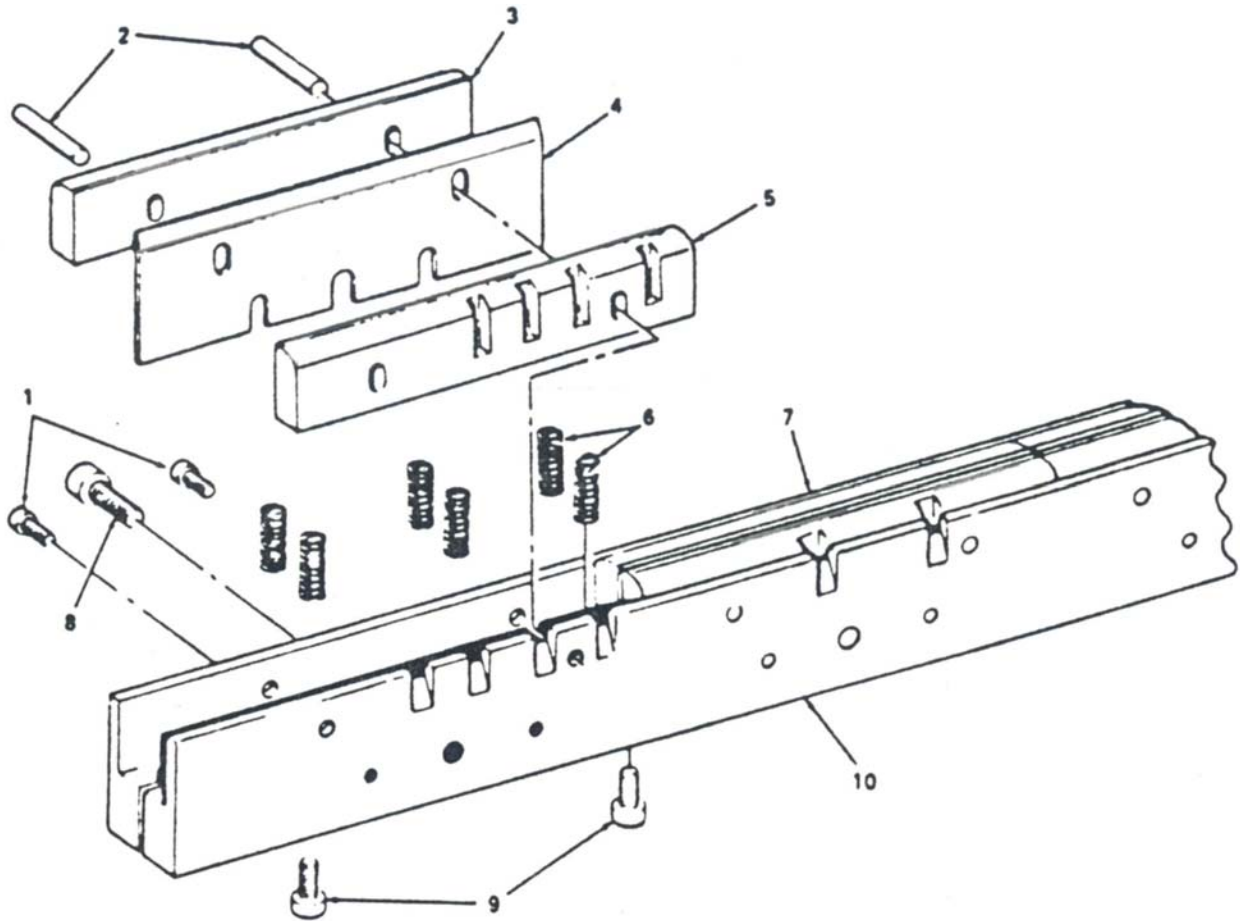


**SECTION VIEW B-B**

**CUTTING CYLINDER - CROSS SECTION VIEW**

NO.	STOCK NO.	DESCRIPTION	GOSS PART NO.
35	21158	Washer	AR-000595
36	20670	Washer	1AR-005944
37	20671	Adjusting Block	1B-107320
38	40649	Dowel Pin	147C-040001
39	20672	Clamp Bar	1B-106619
40	20074	Leaf Spring	2B-097521
41	20073	Folding Blade	2C-062346
	20072	Folding Blade	C-054631
42	20198	Folding Blade Bar	1D-018639
	21159	Folding Blade Bar	1D-035131
43		Even Fold Spacer, 1/8" thk.	3B-110334
44	20673	Even Fold Spacer, 21/64" thk.	1B-107838
45	1834	Pin Post	B-047169
46	20136	Bushing	25-729457
47	20674	Insert	2D-028927
48	2061	Pin	1A-009563
	1707	Pin	2A-009563

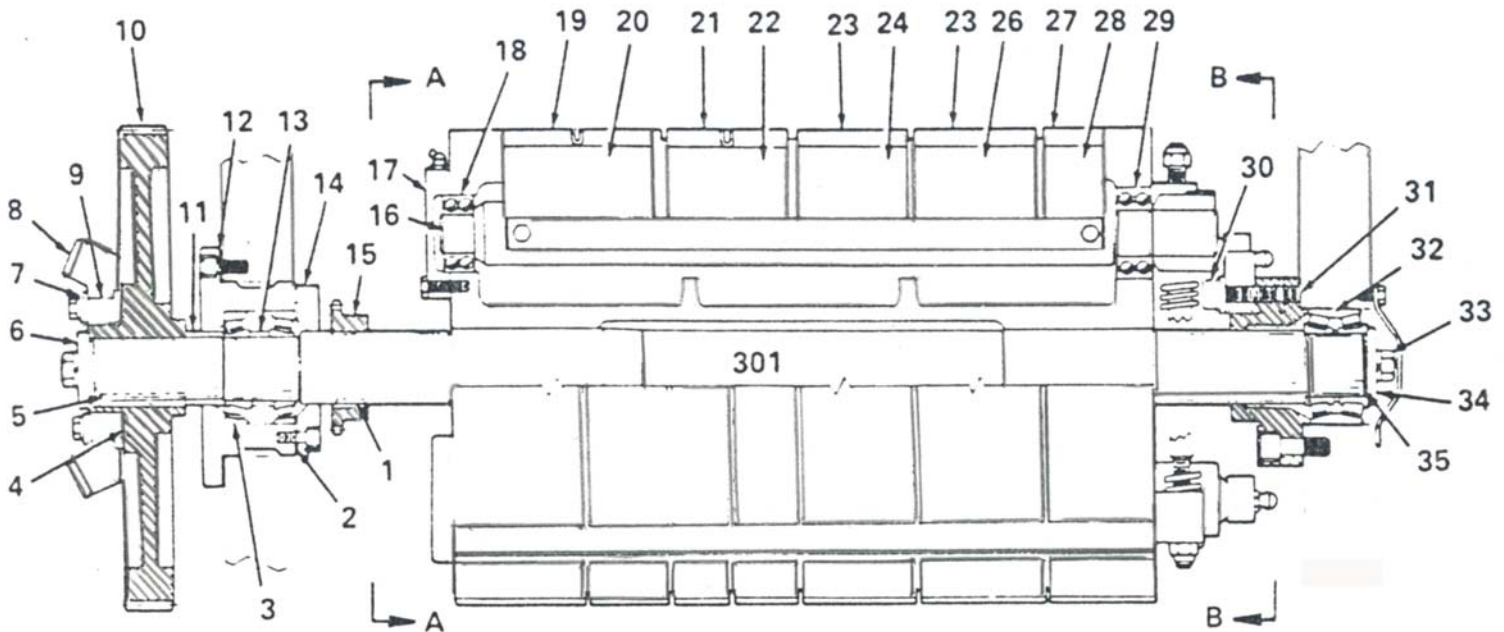
**COMMUNITY FOLDER**



**KNIFE BAR ASSEMBLY**

NO.	STOCK NO.	DESCRIPTION	GOSS PART NO.
1	20675	Mounting Screw	408-891201
2	20053	Knife Bar Pin	2A-009550
3	20118	Cushion, without Pin Slots	B-097598
4	1742	Cutting Knife	1B-104419
5	20120	Cushion, with Pin Slots	B-105028
		Specify detail number	
6	20008	Cushion Spring	1AR-004412
7	20051	Knife Bar	E-002677
8	20676	Clamping Screw	6220C-040132
9	1705	Adjusting Screw	1AR-002213
10	20051	Knife Bar	E-002677

**COMMUNITY FOLDER**



**JAW CYLINDER - HALF FOLD**

NO.	STOCK NO.	DESCRIPTION	GOSS PART NO.
1	20677	Key	77C-040003
2	20651	Shim Set	5B-094851
3	20667	Bearing	1029-722673
4		Shim Set	
5	30085	Key	247C-040003
6	20670	Washer	1AR-005944
7	40433	Washer	1B-114552
8	20127	Bevel Gear	C-068498
9	20475	Sleeve	1B-114202
10	20126	Gear	C-066300
11	20678	Spacer	B-094886
12	20679	Sleeve & Shim Set	9A-003010
13	20680	Spacer	2B-095937
14	20681	End Plate	1B-097409
15	20171	Delivery Drive Sprocket	1B-110148



**1-888-434-0888**  
**TOLL FREE**

**COMMUNITY FOLDER**

**JAW CYLINDER - HALF FOLD**

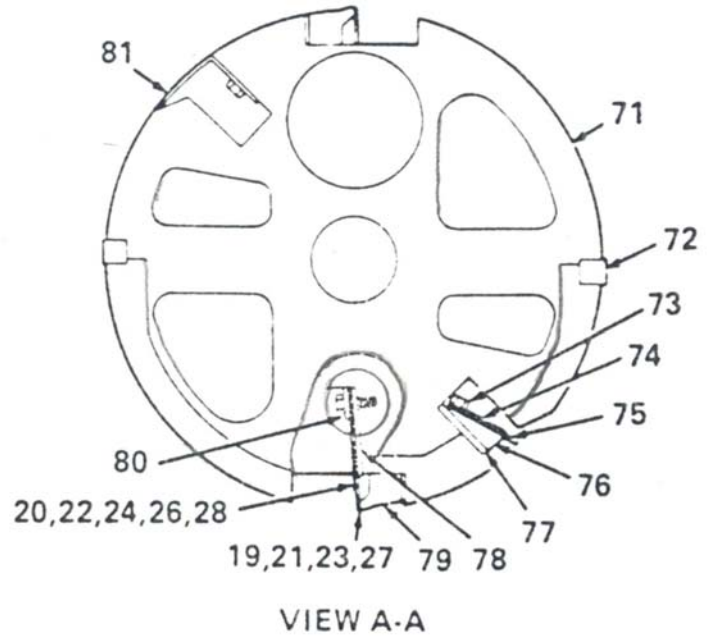
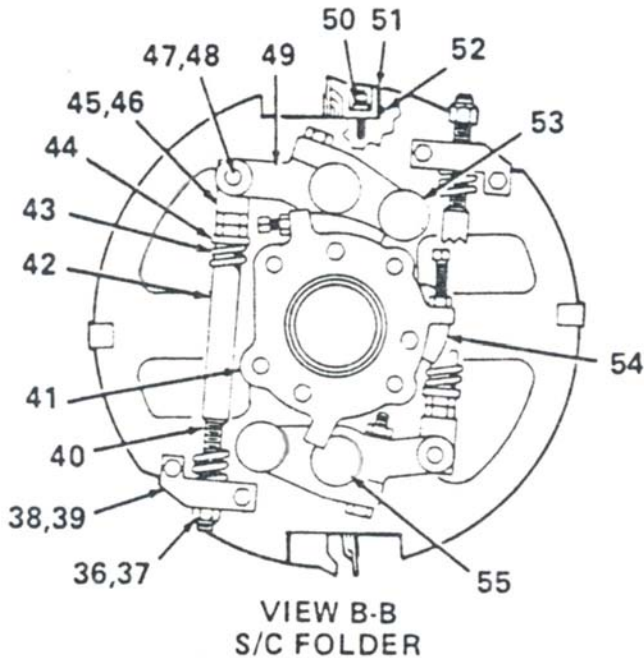
<b>NO.</b>	<b>STOCK NO.</b>	<b>DESCRIPTION</b>	<b>GOSS PART NO.</b>
16		Retaining Ring	
17	20665	End Plate	B-110149
18	20682	Bearing	269-722605
19	20080	Gripper	B-097693
	20099	Gripper	B-106567
20	20448	Stiffener	B-107856
21	20082	Gripper	3B-097693
22	20448	Stiffener	B-107856
23	20081	Gripper	2B-097693
24	20448	Stiffener	B-107856
25	20080	Gripper	B-097693
26	20448	Stiffener	B-107856
27	20080	Gripper	B-097693
	20099	Stiffener	B-106567
28	20448	Stiffener	B-107856
29	20683	Bearing	277-722605
30	20684	Collar Nut	5-846500
31	20685	Nylok Set Screw	1560-891214
32	20661	Bearing	1027-722673
33	20686	Special Screw	1B-097811
34	20687	Washer	524C-040010
35	20688	Shim Set	4B-099448

[www.a-americanpressparts.com](http://www.a-americanpressparts.com)

Check our website for updates!



**COMMUNITY FOLDER**



**JAW CYLINDER - HALF FOLD - CROSS SECTION VIEW**

NO.	STOCK NO.	DESCRIPTION	GOSS PART NO.
36	20689	Castellated Nut	502-846509
37	20690	Cotter Pin	612C-040153
38	20691	Spring Rod Support	1B-110078
39	20100	Bronze Bearing	200-729400
40	30080	Spring Rod	1B-097411
41	20692	Jaw Cam Mounting Bracket	C-054867
42	20390	Spring Bushing	1B-097734
43	20393	Jaw Spring	1B-097735
44	20693	Washer	1B-148105
45	20694	Spring Rod Block	1B-097412
46	20101	Bushing	25-729400
47	20370	Spring Rod Pin	1B-097413
48	4460	Retaining Ring	50C-040164
49	20129	Cam Lever	1C-054540
50	20693	Washer	1B-148105



**1-888-434-0888**  
**TOLL FREE**

**COMMUNITY FOLDER**

**JAW CYLINDER - HALF FOLD - CROSS SECTION VIEW**

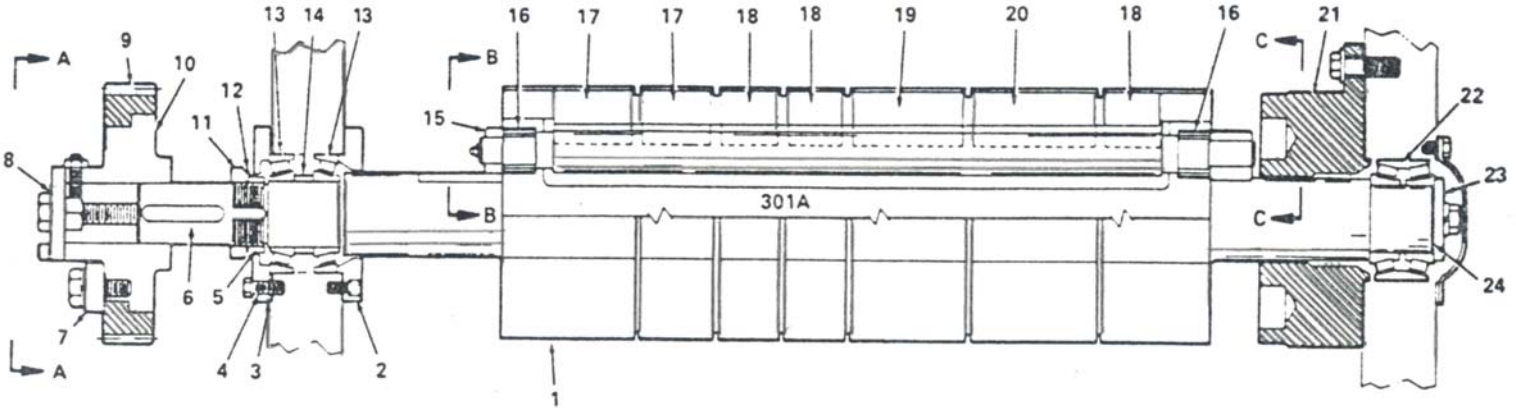
<b>NO.</b>	<b>STOCK NO.</b>	<b>DESCRIPTION</b>	<b>GOSS PART NO.</b>
52	20697	Spring Plunger	254-865700
53	20112	Cam Follower	1016-766509
54	20110	Jaw Cylinder Cam	1C-090398
55	20156	Jaw Shaft	1C-059357
71	20698	Cylinder	ER-017198
	20699	Cylinder	E-006104
72	20188	Cutting Rubber	1B-105031
	20194	Cutting Rubber	1B-147998
73	20700	Clamp Bar	1B-107488
	20672	Clamp Bar	1B-106619
74	20074	Leaf Spring	2B-097521
75	20078	Tucker Blade	1C-063194
76	20198	Tucker Blade Bar	1D-018639
77	20366	Spacer	B-110334
	20673	Spacer	B-107838
78	20342	Backing Plate	1C-061242
79	20695	Stationary Jaw	1C-059360
	20701	Stationary Jaw	D-035110
80	20700	Clamp Bar	1B-107488
81	20702	Filler Plate	1C-099966

[www.a-americanpressparts.com](http://www.a-americanpressparts.com)

Check our website for updates!



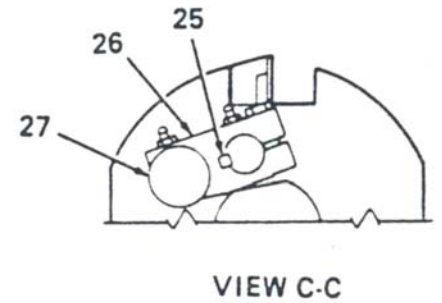
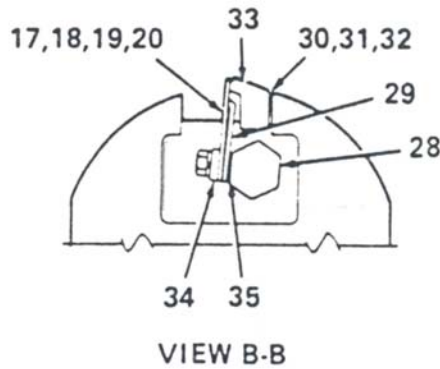
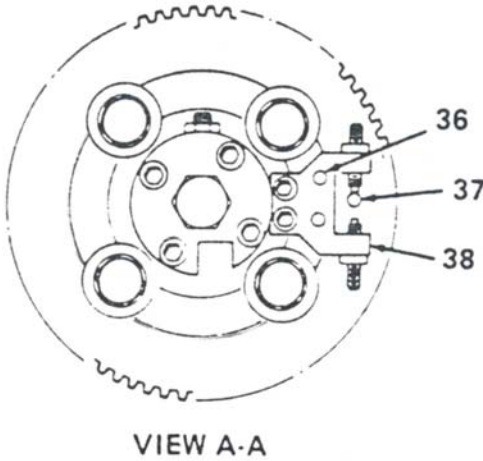
**COMMUNITY FOLDER**



**JAW CYLINDER - PARALLEL FOLD**

NO.	STOCK NO.	DESCRIPTION	GOSS PART NO.
1	20703	Jaw Cylinder	1ER-017222
2	20704	End Plate	B-110423
3	20658	Shim Set	4B-099118
4	20705	End Plate	B-110222
5	20668	Spacer	3B-095937
6	40531	Key	222C-040003
7	20706	Washer	1AR-007007
8	20707	Silencing Screw Assembly	1B-110536
9	20128	Gear Rim	1C-063392
10	20708	Gear Hub	1C-063526
11	20709	Bearing Locknut	110C-040123
12	1981	Bearing Lockwasher	110C-040124
13	20667	Bearing	1029-722673
14	20710	Spacer	4104C-040065
15	20656	Collar	875C-040081
16	20711	Needle Bearing	553-722657
17	20712	Movable Jaw	1B-110314
18	20713	Movable Jaw	2B-110315
19	20714	Movable Jaw	3B-110316
20	20715	Movable Jaw	4B-110317
21	20111	Jaw Cam Assembly	1D-022116
22	20661	Bearing	1027-722673
23	20669	Washer	524C-040070
24	20651	Shim Set	5B-094851

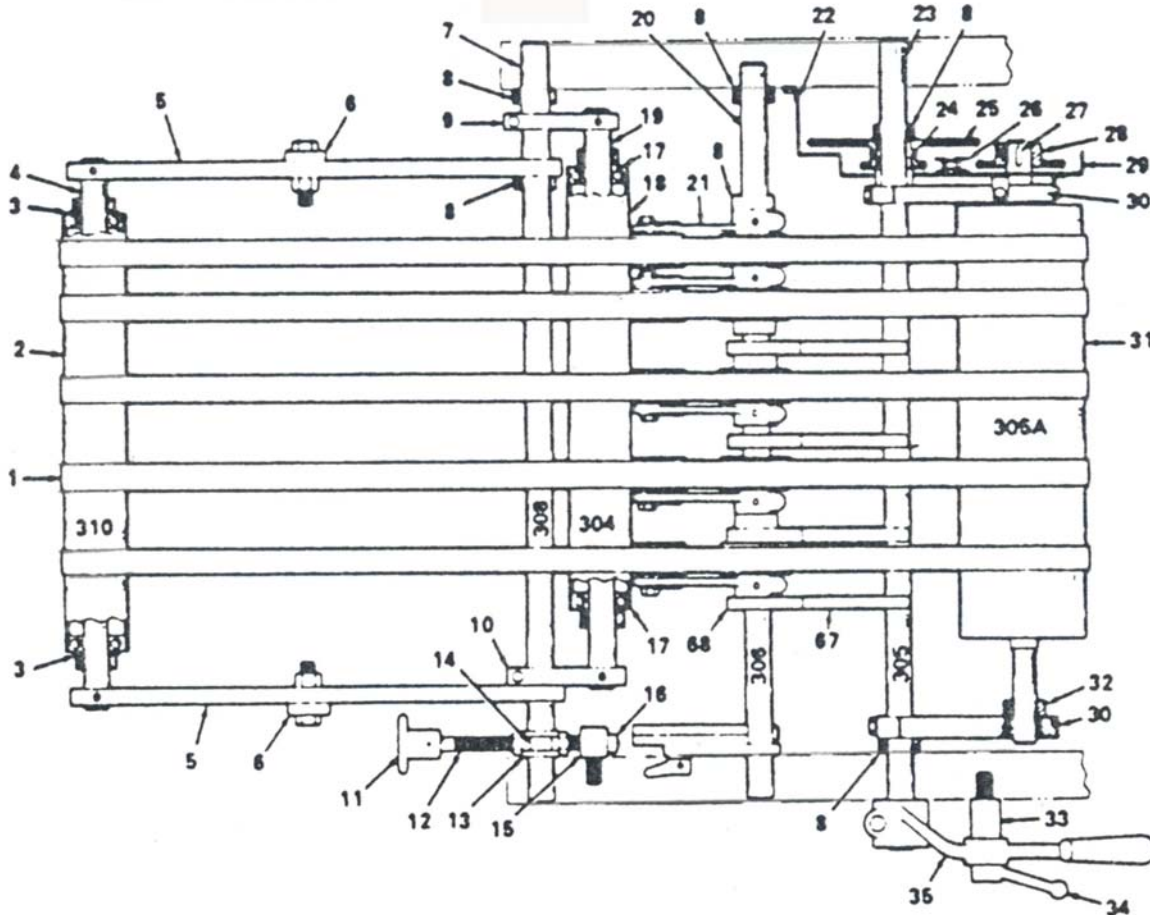
**COMMUNITY FOLDER**



**JAW CYLINDER - PARALLEL FOLD**

NO.	STOCK NO.	DESCRIPTION	GOSS PART NO.
25	40601	Key	87C-040003
26	20130	Cam Lever	1B-110305
27	20113	Cam Follower	1031-766509
28	20716	Jaw Shaft	1C-063391
29	20717	Backing Plate	1C-063396
30	20718	Jaw Spacer, one web	C-096795
31	20719	Jaw Spacer, two web	2C-096795
32	20720	Jaw Spacer, three web	3C-096795
33	20491	Stationary Jaw	1C-063395
34	20721	Clamp Bar	1B-110316
35	20722	Shim Set	4-110313
36		Dowel Pin	
37		Dowel Pin	
38	20723	Adjustment Block	1B-110538

**COMMUNITY FOLDER**



**DELIVERY**

NO.	STOCK NO.	DESCRIPTION	GOSS PART NO.
1	20724	Delivery Belt	2B-124063
2	20185	Roller	1C-058087
3	30100	Bearing	10-722605
4	20150	Shaft	9B-096343
5	20725	Delivery Arm	1C-058168
6	20726	Delivery Support	1B-100796
7	20149	Shaft	8B-096343
8	20266	Collar	1250C-040081
9	20727	Lever	8B-096207
10	20727	Lever	8B-096207
11	20728	Knob	10-815000
12	20729	Adjusting Screw	1B-100301
13	20730	Lever	1B-096208
14	20731	Swivel Pin	1B-096210



**1-888-434-0888**  
**TOLL FREE**

**COMMUNITY FOLDER**

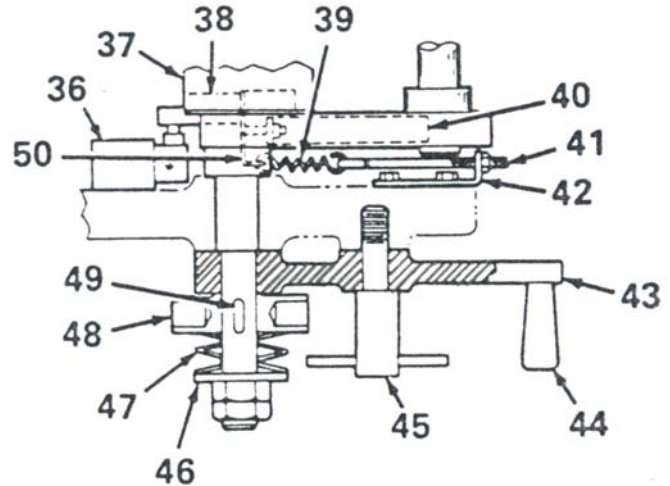
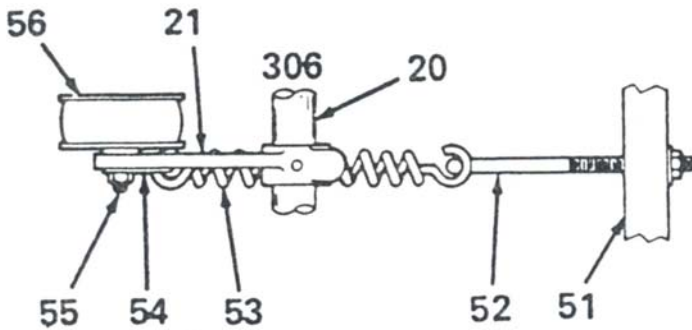
**DELIVERY**

<b>NO.</b>	<b>STOCK NO.</b>	<b>DESCRIPTION</b>	<b>GOSS PART NO.</b>
15	20732	Swivel Stud	1B-096209
16	20679	Collar	1820C-040082
17	20266	Bearing	1250C-040081
18	20184	Roller	1C-054485
19	20148	Shaft	6B-096343
20	20147	Shaft	1B-097330
21	20733	Tension Arm	B-111304
22	20734	Guard	1D-019300
23	20146	Shaft	23B-096343
24	20102	Bronze Bearing	2612C-040075
25	20173	Idler Sprocket	1C-063310
	20174	Idler Sprocket	C-088407
26	20114	Roller Chain	1076-732404
	20115	Roller Chain	1050-732404
27	20735	Key	52C-040004
28	20172	Drive Sprocket	1B-110197
29	20736	Guard	1C-063328
30	20737	Tension Lever with Cap	1B-110150
31	20738	Delivery Shaft	1C-059843
32	4685	Collar	1125C-040081
33	20739	Stud	AR-001192
34	20350	Locknut	B-098522
35	20740	Lever	B-110189

[www.a-americanpressparts.com](http://www.a-americanpressparts.com)

Check our website for updates!

**COMMUNITY FOLDER**



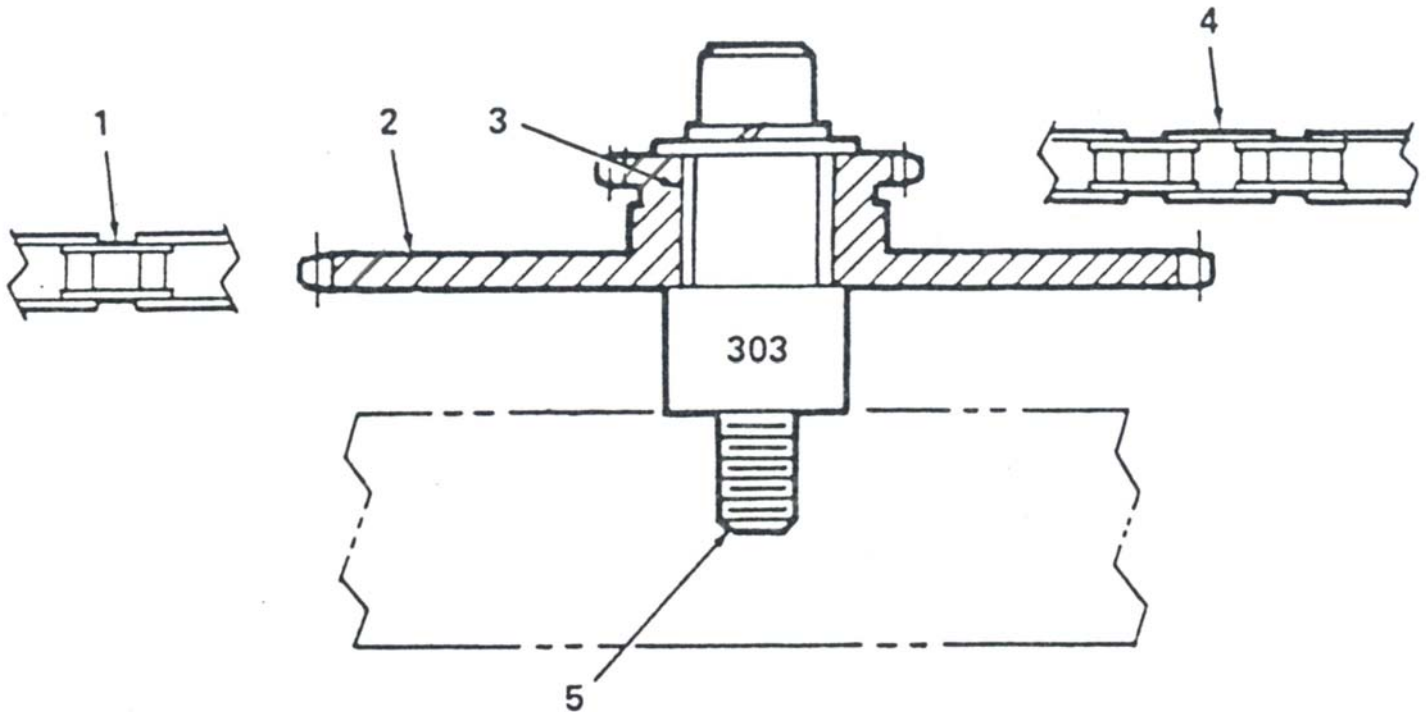
**CHOKE RELEASE ARRANGEMENT  
 (DOUBLE PARALLEL FOLD)**

**DELIVERY - CHOKE RELEASE ARRANGEMENT**

NO.	STOCK NO.	DESCRIPTION	GOSS PART NO.
36	20741	Limit Switch	1B-090236
37	20742	Choke Pan	1C-102295
38	20743	Pan Mounting Block	1B-149544
39	20167	Extension Spring	1344-897017
40	20744	Switch Stop Plate	1B-149546
41	20317	Eye Bolt	238-725624
42	20745	Spring Tension Bracket	1B-149547
43	20746	Release Lever	B-113412
44	20748	Handle	25-781500
45	20749	Locking Stud with Handle	1B-114445
46	21160	Thrust Washer	1B-113411
47	20168	Disc Spring	2701-897015
48	20750	Barring Hub	1B-113414
49	20751	Key	75C-040003
50	20752	Switch Actuator Plate	1B-133792
51	20753	Cross Bar for Springs	1B-111303
52	20316	Eye Bolt	30-725600
53	20166	Extension Spring	1B-105304
54	20754	Spring Link	1B-111301
55	20755	Pulley Stud	2B-097333
56	20758	Pulley	39-868000



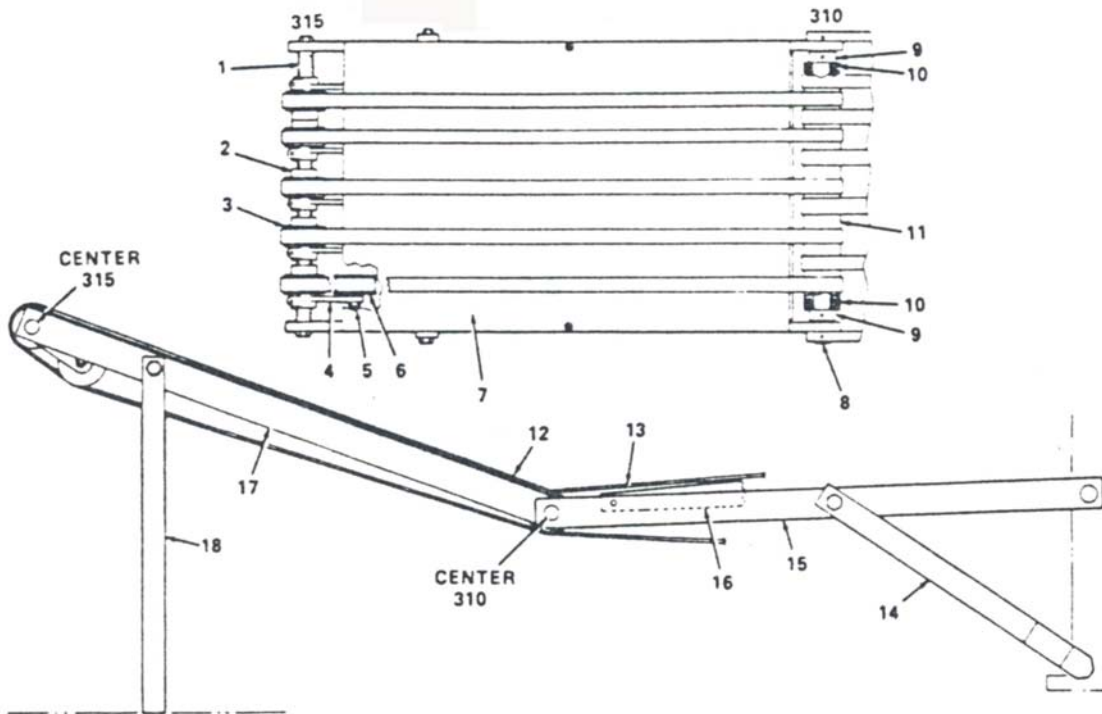
**COMMUNITY FOLDER**



**DELIVERY DRIVE IDLER SPROCKET**

NO.	STOCK NO.	DESCRIPTION	GOSS PART NO.
1	20116	Roller Chain	1080-732404
2	20175	Driven Sprocket	1C-063311
3	20102	Bronze Bearing	2612C-040075
4	20116	Roller Chain	1080-732404
5	20756	Stud	1B-110147

**COMMUNITY FOLDER**

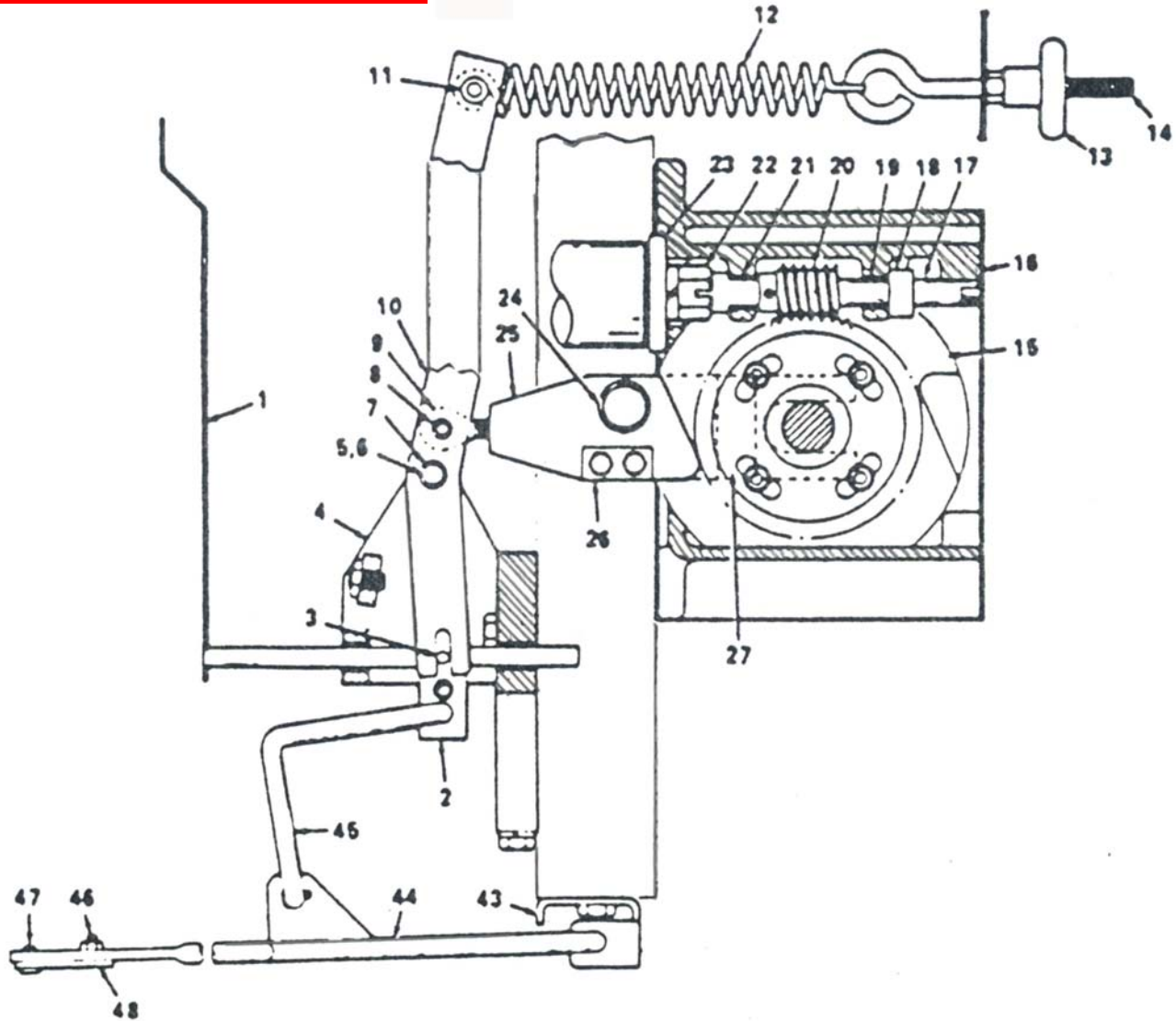


**DELIVERY EXTENSION**

NO.	STOCK NO.	DESCRIPTION	GOSS PART NO.
1	20757	Stay Shaft	1B-103249
2	20266	Collar	1250C-040081
3	20356	Pulley	1B-103314
4	20347	Tension Lever	B-097334
5	20395	Pulley Stud	1B-097333
6	20758	Pulley	39-868000
7		Pan for Extension	1B-103217
8	20148	Delivery Shaft	6B-096343
9	20266	Collar	1250C-040081
10	30100	Bearing	10-722605
11	20759	Roller	1C-058078
	20184		1C-054485
12	20760	Delivery Extension Belt	1B-125448
13	20761	Delivery Belt	9B-124063
14	20762	Delivery Support	1B-133016
15	20725	Delivery Arm	1C-058168
16	20763	Pan for Arm	1C-058170
17	20764	Delivery Extension Arm	1C-058169
18	20765	Delivery Extension Support	1B-103313



**COMMUNITY FOLDER**



**KICKER**

NO.	STOCK NO.	DESCRIPTION	GOSS PART NO.
1	20766	Kicker Plate, Half Fold	1C-079363
2	20767	Guide Block	1B-135036
3	20768	Dowel Pin	37C-040001
4	20769	Kicker Bracket with Cap	1D-025653
5	20770	Pivot Stud	3B-125345
6	40304	Retaining Ring	37C-040164
7	20104	Bronze Bearing	706C-040075
8	20771	Nylock Cap Screw	417-891201
9	20289	Rod End	20-886100
10	20772	Pivot Lever	1C-090355

[www.a-americanpressparts.com](http://www.a-americanpressparts.com)

Check our website for updates!



**1-888-434-0888**  
**TOLL FREE**

**COMMUNITY FOLDER**

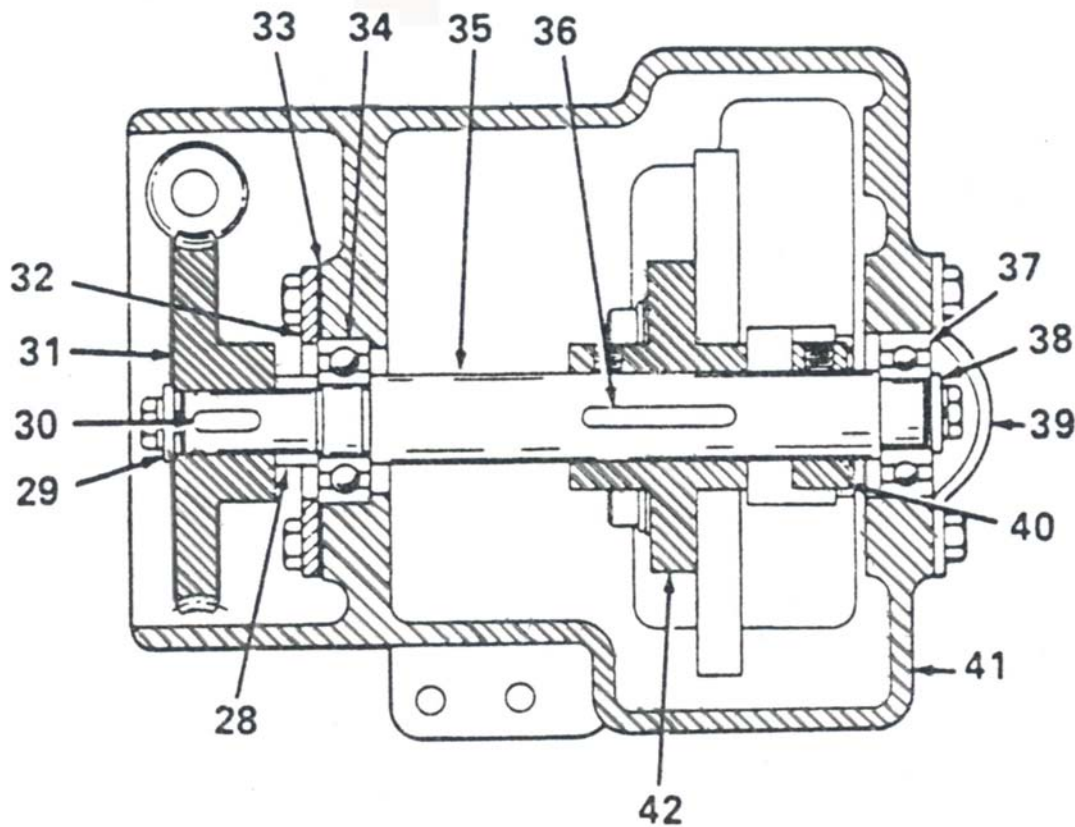
**KICKER**

<b>NO.</b>	<b>STOCK NO.</b>	<b>DESCRIPTION</b>	<b>GOSS PART NO.</b>
11	20514	Stripper Bolt	5006C-040131
12	20169	Extension Spring	1474-897017
13	20773	Knob	111-815010
14	20774	Eye Bolt	340-725624
15	20775	Kicker Cam	1C-079359
16	20776	Front Cover	1C-091228
17	20777	Worm Shaft	2B-129384
18	40356	Collar	500C-040081
19	20105	Bronze Bearing	1104C-040075
20	20778	Worm Shaft	3C-079357
21	20779	Flange Bearing	75-729547
22	20780	Special Cap Screw	3714C-040133
23	20781	Washer	2037C-040072
24	20782	Cam Follower	1017-766509
25	20783	Kicker Lever	3C-079362
26	20784	Kicker Lever Guide	1B-110227
27	20785	Kicker Lever Stop	1B-011028
43	20786	Pivot Bracket	1C-060823
44	20787	Pivot Rod	1C-060731
45	20788	Connecting Rod	1B-130029
46	20789	Ball Plunger	9-865700
47	20790	Clevis Pin	10-863300
48	20791	Kicker Plate, quarter fold	1B-106962

[www.a-americanpressparts.com](http://www.a-americanpressparts.com)

Check our website for updates!

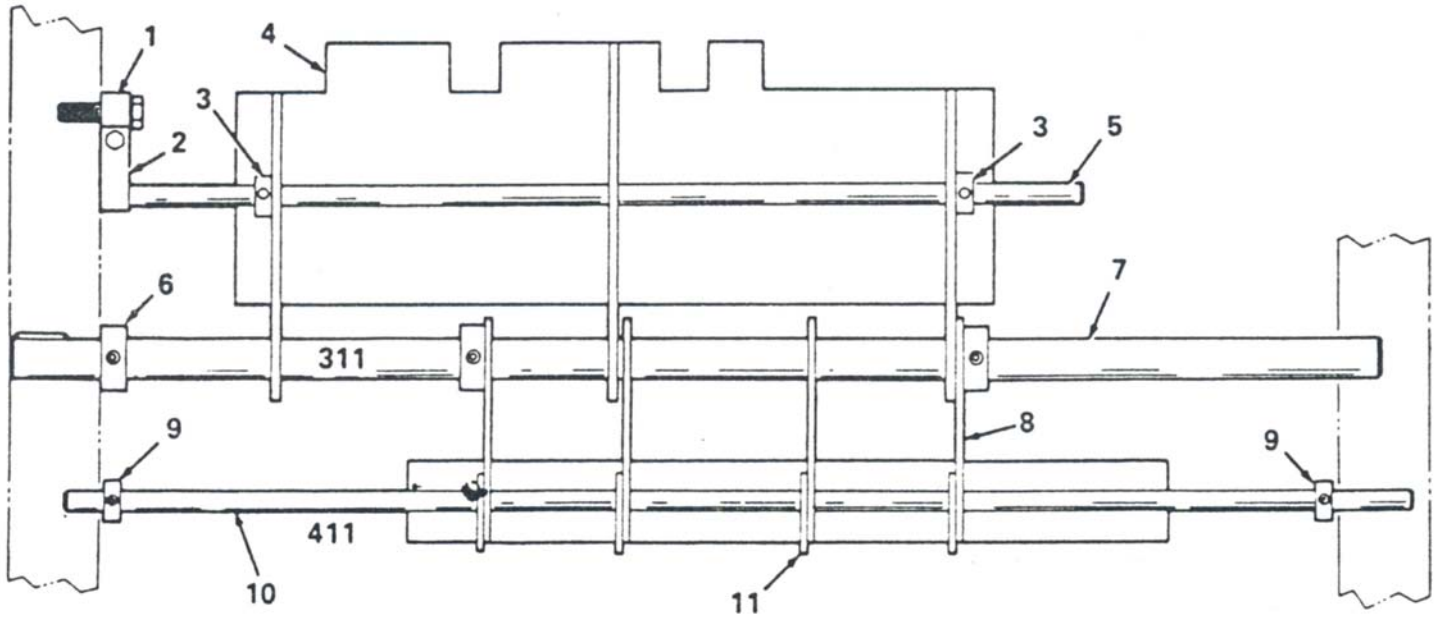
**COMMUNITY FOLDER**



**KICKER**

NO.	STOCK NO.	DESCRIPTION	GOSS PART NO.
28	20988	Spacer	1604C-040064
29	20989	Washer	207C-040073
30	20653	Key	51C-040003
31	20990	Worm Gear	159-722087
32	20991	End Plate	1B-130022
33	20992	Shim Set	7C-040009
34	20993	Bearing	7204C-040110
35	20994	Vertical Drive Shaft	1C-079358
36	20995	Key	147C-040003
37	1534	Bearing	6204C-040104
38	40675	Washer	207C-040070
39	20996	Cover Plate	B-130023
40	40197	Collar	1000C-040081
41	20997	Kicker Drive Bracket	ER-022114
42	20998	Kicker Cam Hub	C-079360

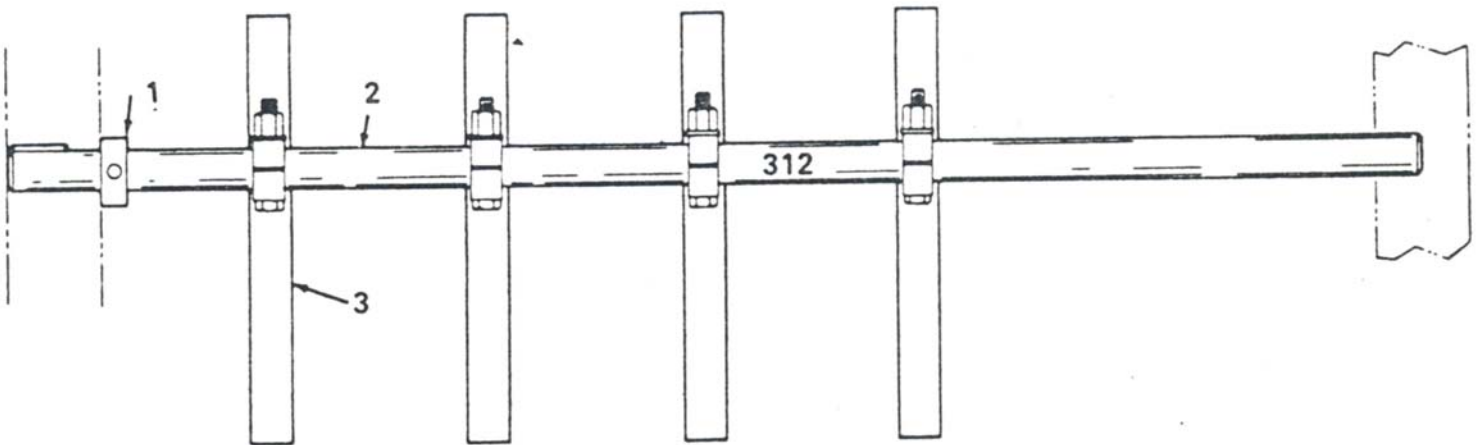
**COMMUNITY FOLDER**



**CUTTING CYLINDER SHOE ASSEMBLY**

NO.	STOCK NO.	DESCRIPTION	GOSS PART NO.
1	2217	Bracket	1AR-002914
2	2218	Latch	1AR-002915
3	40356	Collar	500C-040081
4	20792	Cutting Cylinder Shoe	1C-072605
	20793		1C-103307
5	20794	Shaft	2B-097803
6	20795	Collar	100C-040081
7	20151	Shaft	31B-097865
8	20796	Guide Shoe	1D-025311
9		Collar	
10		Shaft	
11		Guide Shoe	

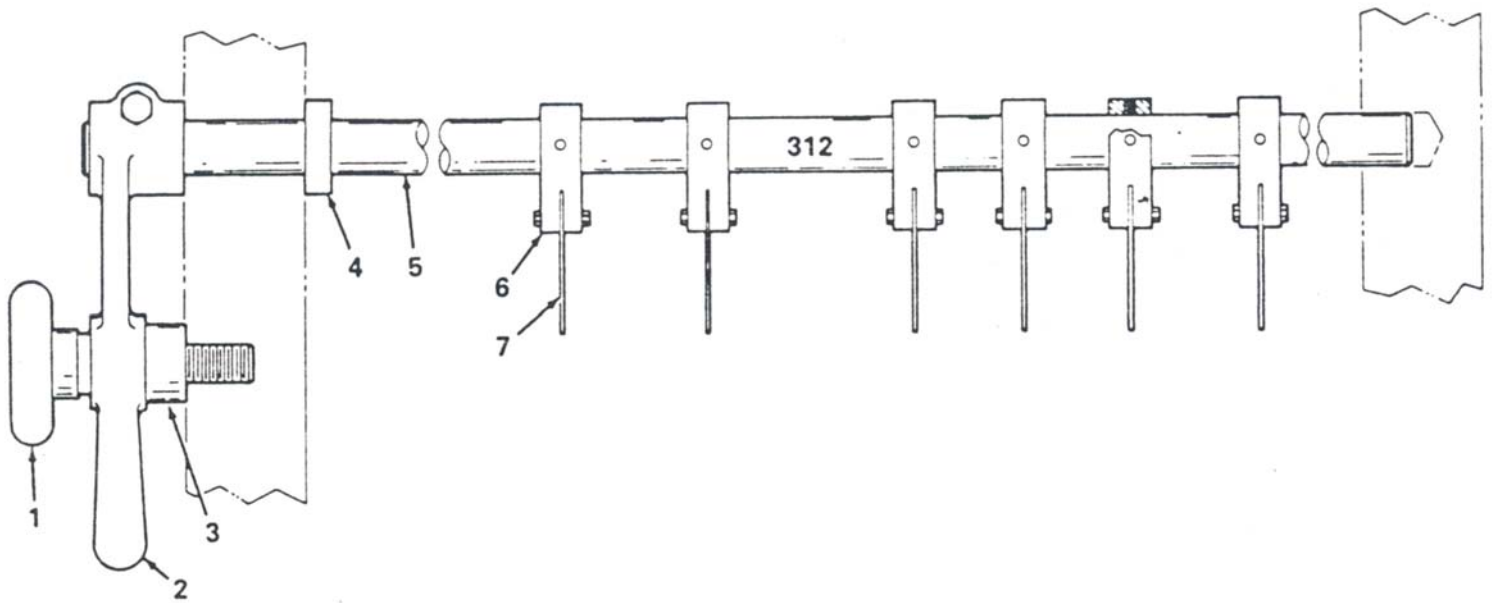
**COMMUNITY FOLDER**



**GUIDE SHOES - HALF FOLD**

NO.	STOCK NO.	DESCRIPTION	GOSS PART NO.
1	40197	Collar	1000C-040081
2	20153	Shaft	B-097803
3	20797	Jaw Cylinder Shoe	C-083572

**COMMUNITY FOLDER**

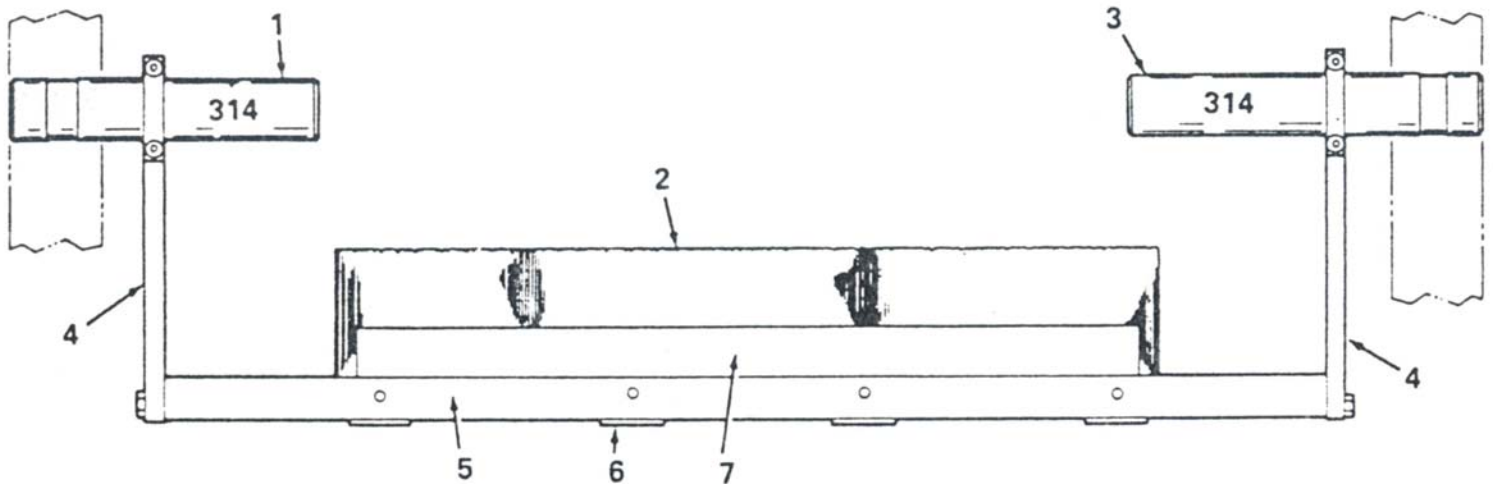


**STRIPPER SHOE ASSEMBLY - QUARTER FOLD**

NO.	STOCK NO.	DESCRIPTION	GOSS PART NO.
1	20798	Knob	B-129429
2	20799	Lever Handle	B-129430
3	20800	Lockup Stud	1B-098259
4	40197	Collar	1000C-040081
5	20154	Stripper Shoe Shaft	1C-059399
6	20801	Bracket for Stripper Shoe	1B-129428
7	20093	Stripper Shoe	1B-129427



**COMMUNITY FOLDER**

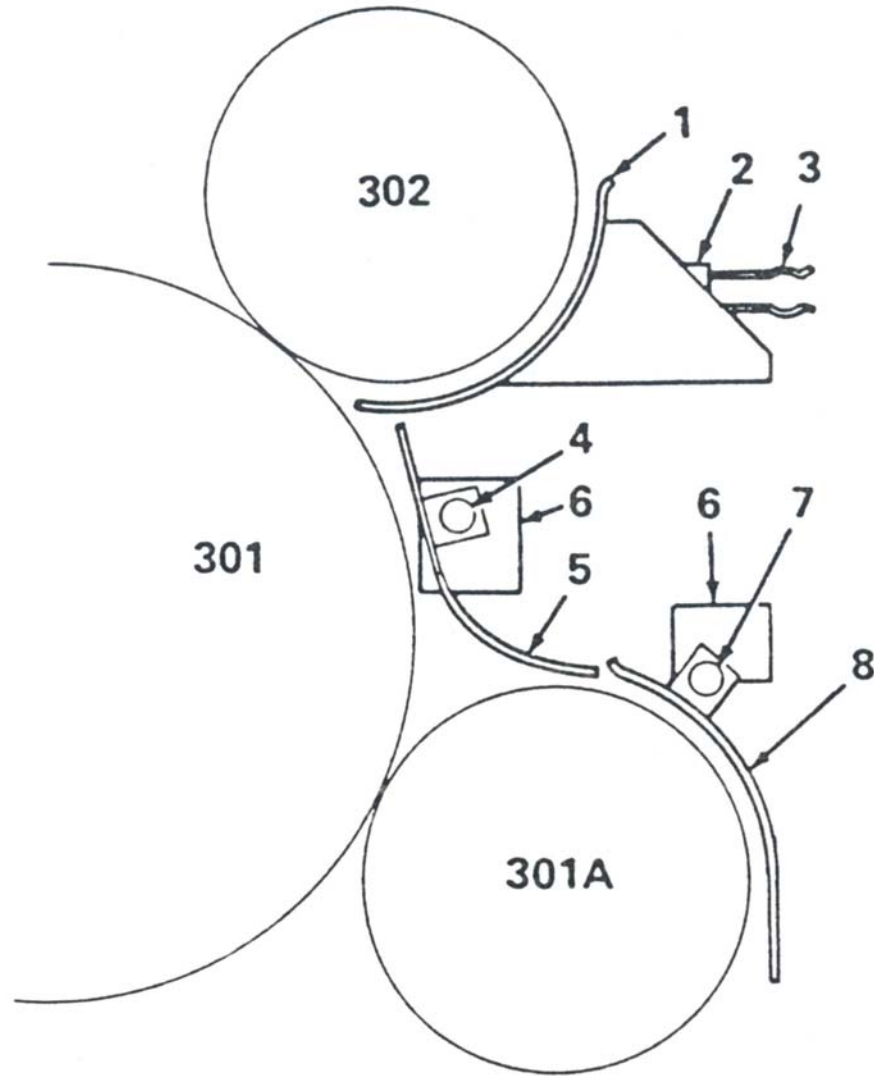


**JAW CYLINDER COMBING BRUSH**

NO.	STOCK NO.	DESCRIPTION	GOSS PART NO.
1	20802	Stud, Op Side	B-103947
2	20091	Brush	5B-097206
3	20803	Stud, Dr Side	B-103947
4	20340	Brush Lever Arm with Cap	1C-064113
5	20196	Brush Bar	B-111385
6	20804	Brush Clip	B-111375
7	2080	Leaf Spring	2B-097521



**COMMUNITY FOLDER**



**SHOE ASSEMBLY**

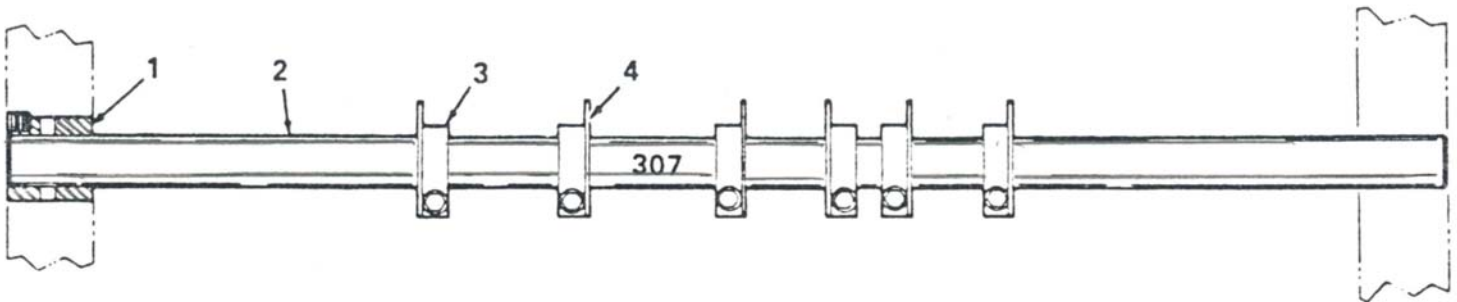
NO.	STOCK NO.	DESCRIPTION	GOSS PART NO.
1	20332	Paper Guide	1C-070000
2		Block	
3		Spring	
4		Shoe Shaft	
5		Shoe Pan	
6	20805	Shaft Bracket	B-110242
7	20806	Shoe Shaft	B-110243
8	20807	Shoe Pan	C-063342



**1-888-434-0888**  
**TOLL FREE**

**COMMUNITY FOLDER: NOTES**

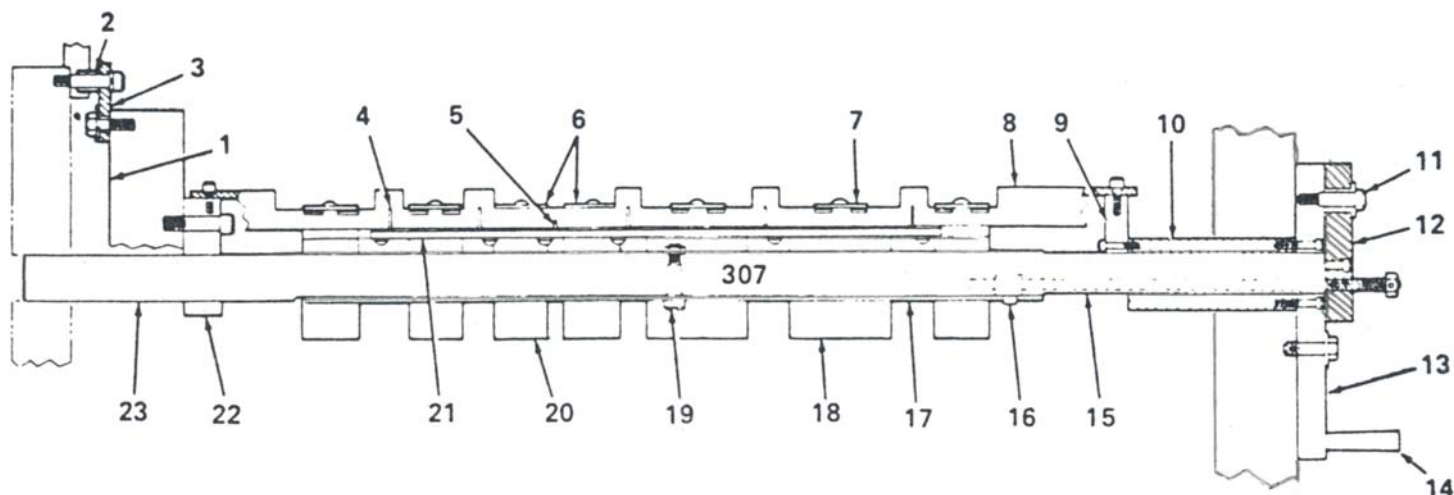
**COMMUNITY FOLDER**



**JAW CYLINDER STRIPPER SHOES**

<b>NO.</b>	<b>STOCK NO.</b>	<b>DESCRIPTION</b>	<b>GOSS PART NO.</b>
1	20106	Bushing	1B-110875
2	20809	Stripper Shoe Shaft	1B-110876
3	20810	Stripper Shoe Bracket	1B-110877
	20811	Stripper Shoe Bracket	1B-111153
4	20062	Stripper Shoe	1B-111154
	20385	Stripper Shoe	1B-149436

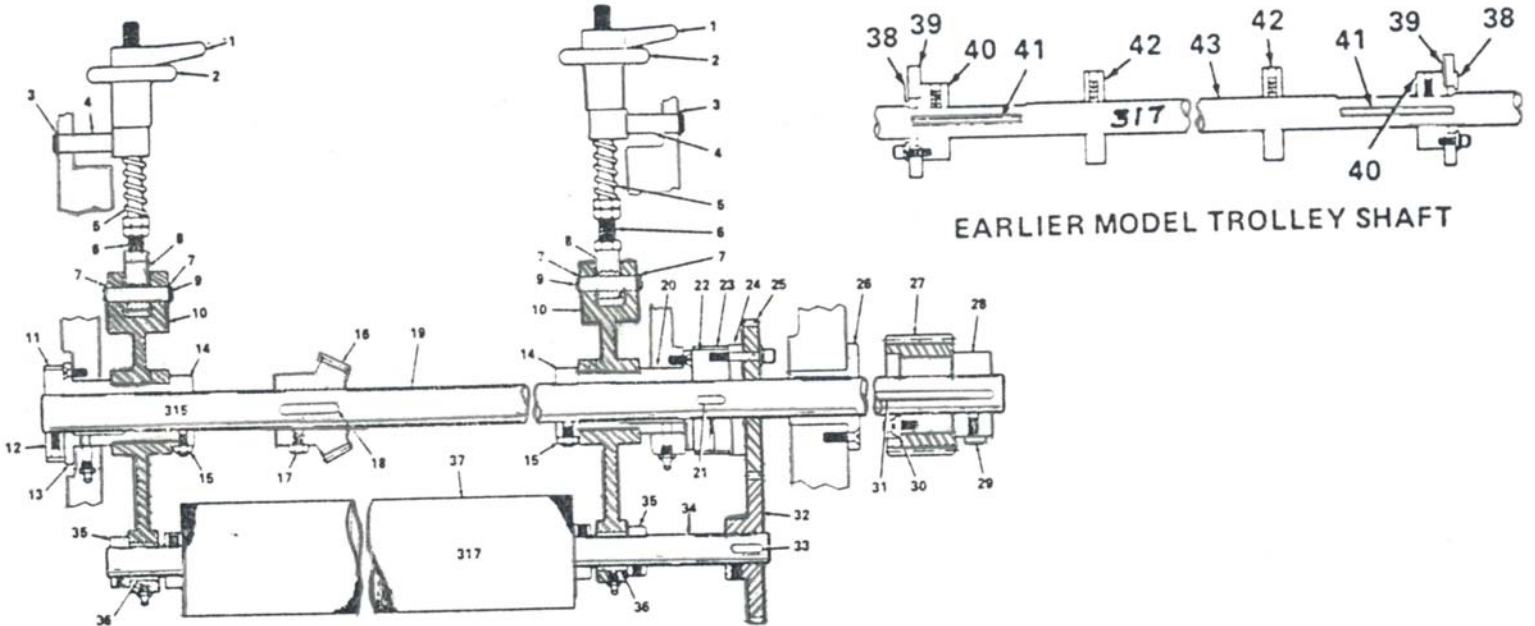
**COMMUNITY FOLDER**



**COMBING BLADE & STRIPPER ASSEMBLY - PARALLEL FOLD**

NO.	STOCK NO.	DESCRIPTION	GOSS PART NO.
1	20812	Stabilizer Bracket	1C-072548
2	20813	Spacer	1B-121913
3	20814	Adjusting Plate	1C-072547
4	20386	Stripper Plate	1C-072679
5	20815	Stripper Plate	1C-100175
6	20816	Combing Blade Bracket	2B-120231
7	20817	Combing Blade Bracket	1B-120231
8	20818	Stripper Plate Support	D-023194
9	20819	Stripper Plate Support	1B-121855
10	20820	Sleeve	1C-070668
11	20821	Stripper Bolt	3710C-040131
12	20822	Adjustment Bracket	1B-120233
13	20823	Adjustment Bracket	1C-070666
14	20748	Handle	25-781500
15	20824	Adjustment Screw	1B-120227
16	20825	Slide Nut	1B-120228
17	20826	Combing Blade Adjuster	1C-070667
18	20827	Combing Blade	2B-120232
19	20564	Combing Blade	B-125347
20	20821	Stripper Bolt	3710C-040131
21	20828	Clamp Bar	1B-122060
22	20829	Support	B-120230
23	20830	Shaft	1C-070669

**COMMUNITY FOLDER**



**DRIVE SHAFTS & TROLLEY SHAFT - QUARTER FOLD**

NO.	STOCK NO.	DESCRIPTION	GOSS PART NO.
1	20831	Locknut	AR-001279
2	20137	Knob	1B-098303
3	40553	Retaining Ring	62C-040164
4	20354	Poppet	1B-098305
5	20160	Spring	1AR-004754
6	20054	Adjustment Screw	1B-098304
7	4460	Retaining Ring	50C-040164
8	20083	Adjustment Block	1B-098306
9	40501	Pin	1B-098435
10	20832	Lever	C-065329
11	20181	Timing Belt	51-723675
12	20833	Pulley	B-098301
13	20834	Bushing	B-098302
14	40197	Collar	1000C-040081
15	40032	Spotting Set Screw	2B-105603



**1-888-434-0888**  
**TOLL FREE**

**COMMUNITY FOLDER**

**DRIVE SHAFTS & TROLLEY SHAFT - QUARTER FOLD**

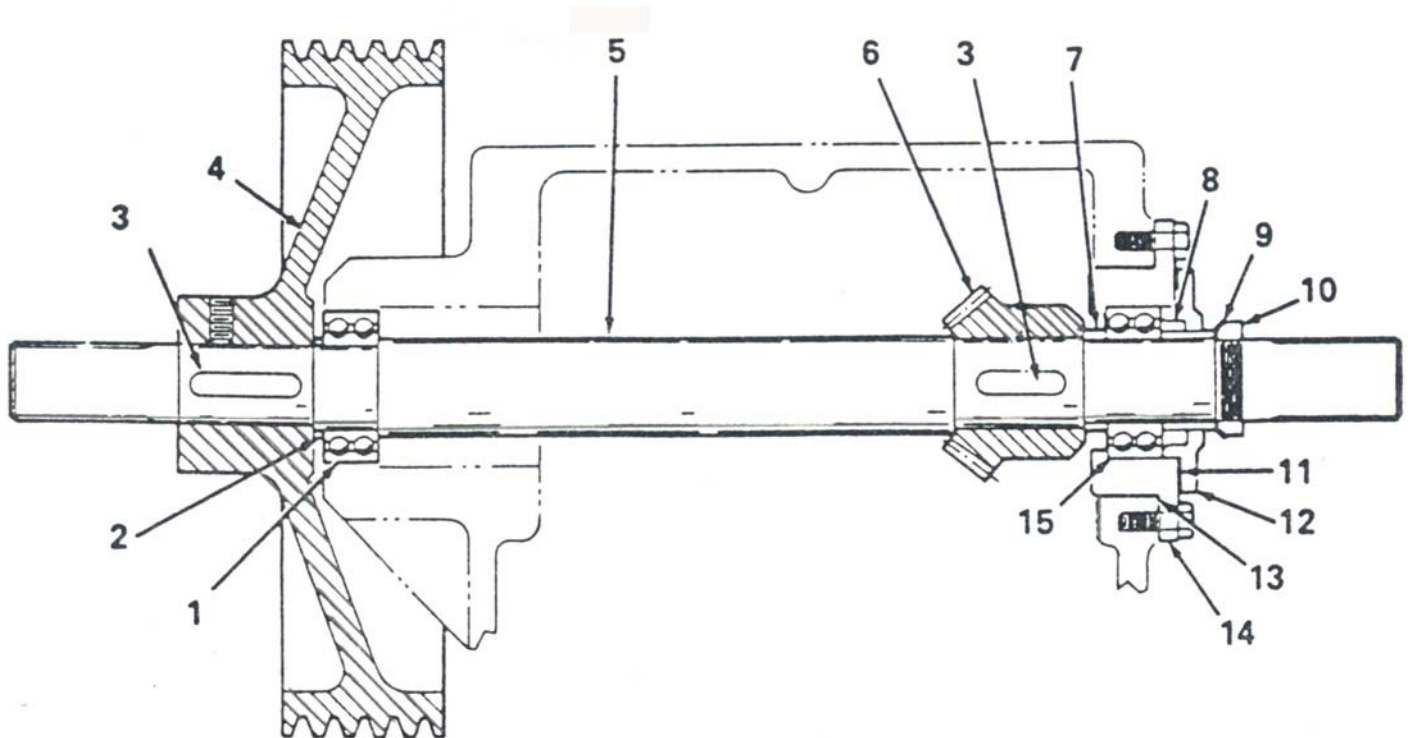
<b>NO.</b>	<b>STOCK NO.</b>	<b>DESCRIPTION</b>	<b>GOSS PART NO.</b>
16	20466	Bevel Pinion	C-055160
17	40032	Spotting Set Screw	2B-105603
18		Key	
19	20835	Drive Shaft	1C-074488
20	20836	Bushing	B-106617
21		Key	
22	20837	Pulley	B-098300
23	20181	Timing Belt	51-723675
24		Spacer	
25	20301	Gear	1B-098296
26	20838	Bushing	B-124332
27	21161	Gear Rim	C-066227
28	20518	Slip Gear Sleeve	B-114042
29	40075	Spotting Set Screw	1B-105603
30	21170	Washer	B-114179
	2001	Washer	AR-003426
31		Key	
32	20302	Gear	1B-098297
33	20751	Key	75C-040003
34		Shaft	
35		Collar	
36	20839	Needle Bearing	559-722657
37	20090	Trolley Brush	1B-150286
38	20840	Retaining Plate	1B-144467
39	20401	Trolley	1B-142410
40	20841	Hub	1B-121346
41	20842	Key	243C-040003
42	20843	Trolley	1B-100299
	21162	Trolley	B-121345
43	20844	Shaft	1C-065330

[www.a-americanpressparts.com](http://www.a-americanpressparts.com)

Check our website for updates!



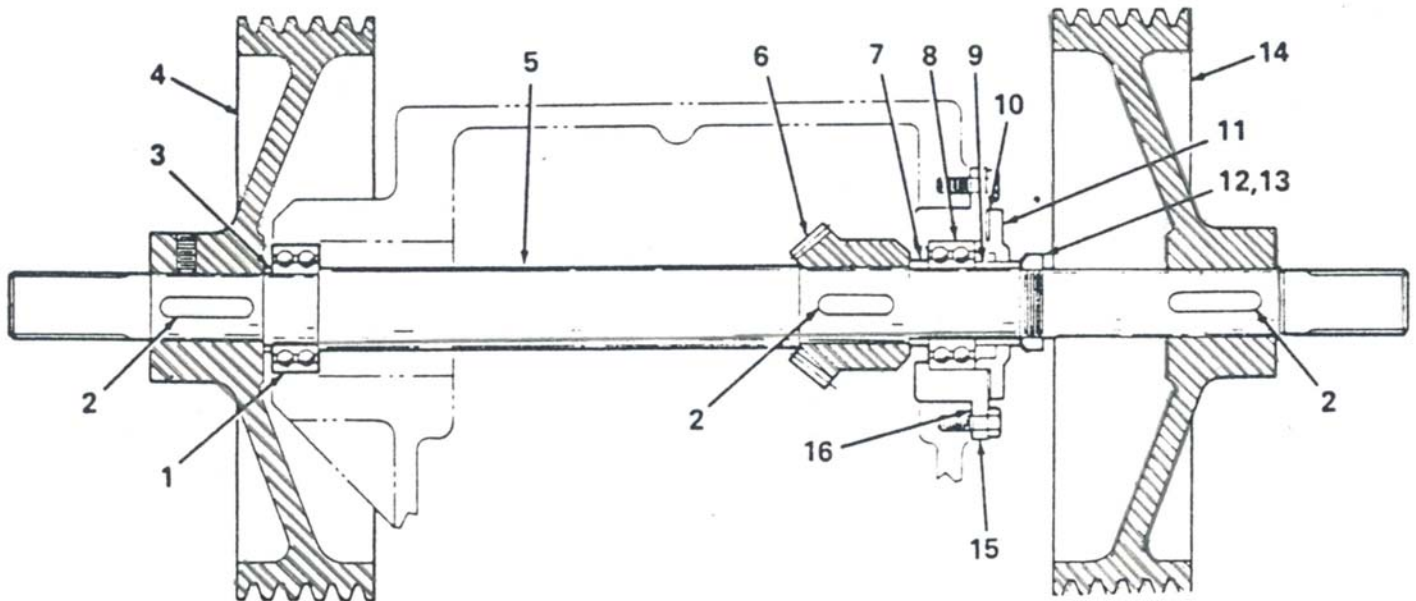
**COMMUNITY FOLDER**



**MAIN DRIVE SHAFT ASSY - SINGLE MOTOR**

NO.	STOCK NO.	DESCRIPTION	GOSS PART NO.
1	20845	Bearing	181-722605
2	20846	Spacer	4112C-040065
3	20641	Key	223C-040003
4		Driven Sheave	
5	20847	Shaft	1C-073229
6	20848	Pinion Gear	2C-069534
7	20849	Spacer	4102C-040065
8	20850	Spacer	4104C-040065
9	1981	Bearing Lockwasher	110C-040124
10	20709	Bearing Locknut	110C-040123
11	20853	Shim Set	65C-040009
12	20854	Mounting Plate	1B-055051
13	20855	Shim Set	8A-003010
14	20856	Reverse Cup	1B-123018
15	20283	Bearing	5210C-040108

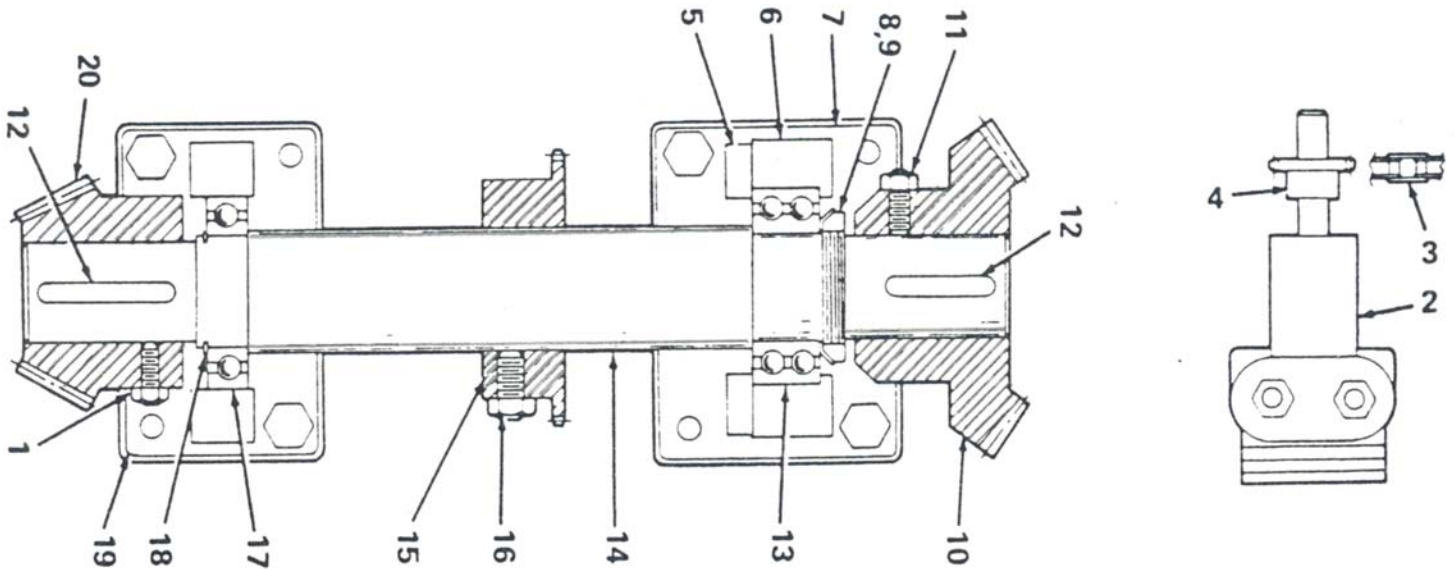
**COMMUNITY FOLDER**



**MAIN DRIVE SHAFT ASSY - DUAL MOTOR**

NO.	STOCK NO.	DESCRIPTION	GOSS PART NO.
1	20283	Bearing	5210C-040108
2	20641	Key	223C-040003
3	20849	Spacer	4102C-040065
4		Driven Sheave	
5	20857	Shaft	1D-035784
6	20858	Pinion Gear	2C-096257
7	20850	Spacer	4104C-040065
8	20283	Bearing	5210C-040108
9	20846	Spacer	4112C-040065
10	20853	Shim	65C-040009
11	20854	Mounting Plate	B-055051
12	20709	Bearing Locknut	110C-040123
13	1981	Bearing Lockwasher	110C-040124
14		Driven Sheave	
15	20856	Reverse Cup	B-123018
16	20855	Shim	8A-003010

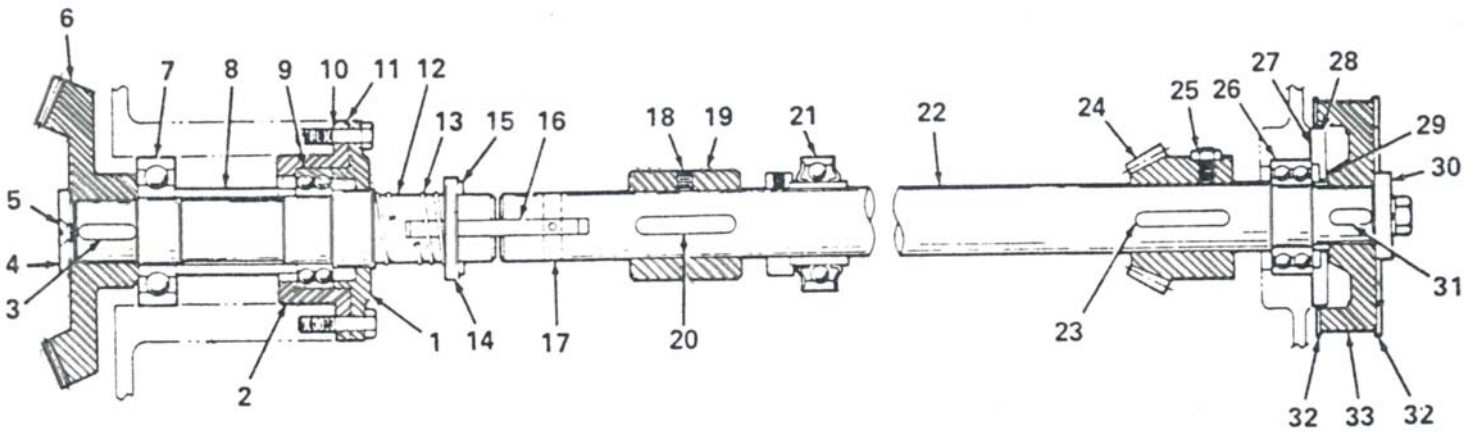
**COMMUNITY FOLDER**



**VERTICAL DRIVE SHAFT ASSEMBLY**

NO.	STOCK NO.	DESCRIPTION	GOSS PART NO.
1	40074	Spotting Set Screw	1AR-001447
2	20097	Oil Pump	354-868270
3	20117	Roller Chain	1056-732403
4	20178	Sprocket	2141-897113
5	20856	End Plate	1B-055294
6	20853	Shim	65C-040009
7	20860	Bracket	1C-091198
8	20709	Bearing Locknut	110C-040123
9	1981	Bearing Lockwasher	110C-040124
10	20861	Bevel Gear	1C-069534
11	40074	Spotting Set Screw	1AR-001447
12	20641	Key	223C-040003
13	5570	Bearing	5210C-040106
14	20862	Shaft	1C-073269
15	20863	Sprocket	1B-120216
16	20864	Spotting Set Screw	1AR-001977
17	5571	Bearing	6210C-040100
18	20571	Retaining Ring	1196-885470
19	20865	Bracket	1C-091197
20	20866	Pinion Gear	1D-021790

**COMMUNITY FOLDER**



**HORIZONTAL DRIVE TO JAW CYLINDER**

NO.	STOCK NO.	DESCRIPTION	GOSS PART NO.
1	20867	Mounting Plate	B-097342
2	20868	Reverse Cup	B-097343
3	20869	Key	102C-040003
4		Washer	
5		Nylok Screw	
6	20858	Bevel Gear	2C-096257
7	20845	Bearing	181-722605
8	20846	Spacer	4112C-040065
9	20283	Bearing	5210C-040008
10	20871	Shim Set	25C-040009



**1-888-434-0888**  
**TOLL FREE**

**COMMUNITY FOLDER**

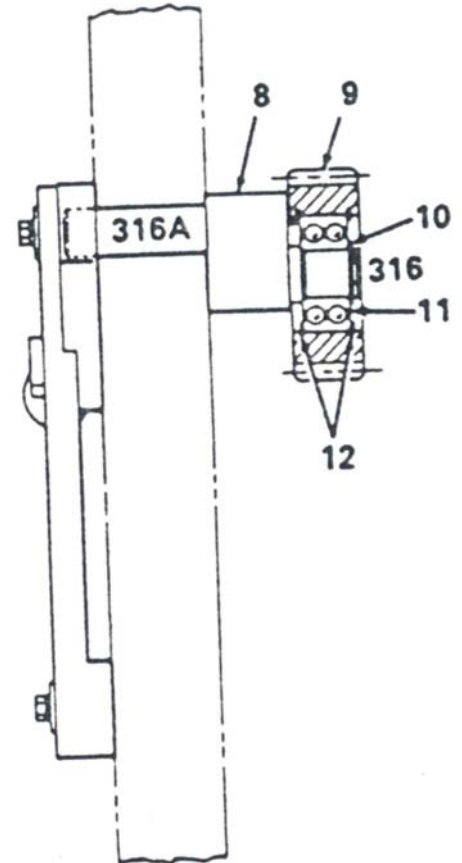
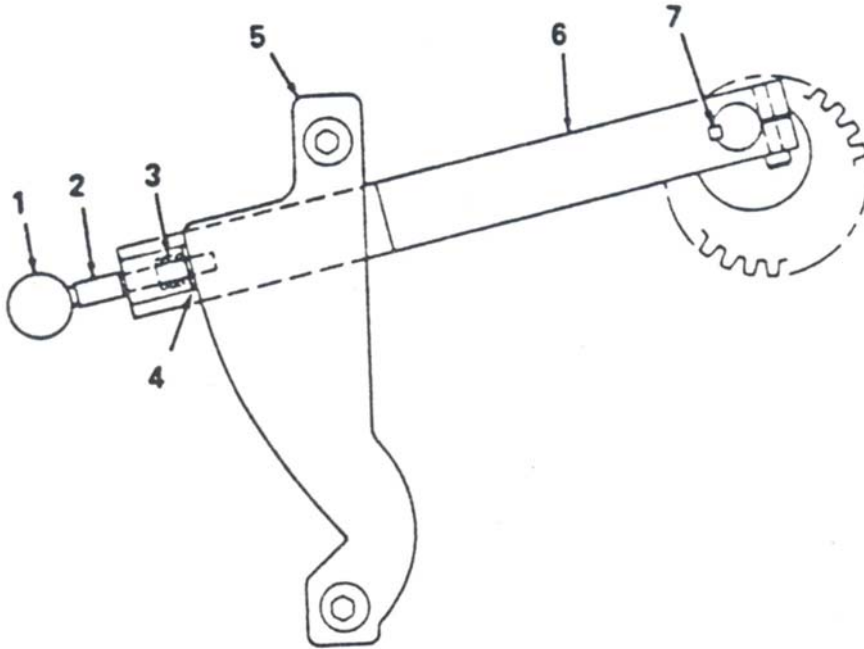
**HORIZONTAL DRIVE TO JAW CYLINDER**

<b>NO.</b>	<b>STOCK NO.</b>	<b>DESCRIPTION</b>	<b>GOSS PART NO.</b>
11	20872	Shim Set	22C-040009
12	21040	Horizontal Drive Shaft	1C-069462
	21017	Horizontal Drive Shaft	C-054627
13	20873	Clutch Spring	1B-100197
14	20066	Clutch Collar	1B-100196
15	20874	Roll Pin	1212C-040082
16	20064	Clutch Bar	1B-097626
17	20064-1	Dowel Pin	195C-040001
18	20875	Nylok Set Screw	1538-891214
19	20876	Barring Hub	1B-118695
20	20877	Key	245C-040003
21	20878	Bearing	15-722605
22	20879	Shaft	C-094423
23	20880	Key	295C-040003
24	20127	Bevel Gear	1C-068498
25	40074	Spotting Set Screw	1AR-001447
26	20634	Bearing	279-722605
27	20633	Shim Set	5B-103178
28	20882	End Plate	B-130652
29	20883	Spacer	3604C-040064
30	20670	Washer	1AR-005944
31	20557	Key	174C-040003
32	20631	Pulley Side Plate	4B-109286
33	20884	Pulley	C-076977

[www.a-americanpressparts.com](http://www.a-americanpressparts.com)

Check our website for updates!

**COMMUNITY FOLDER**

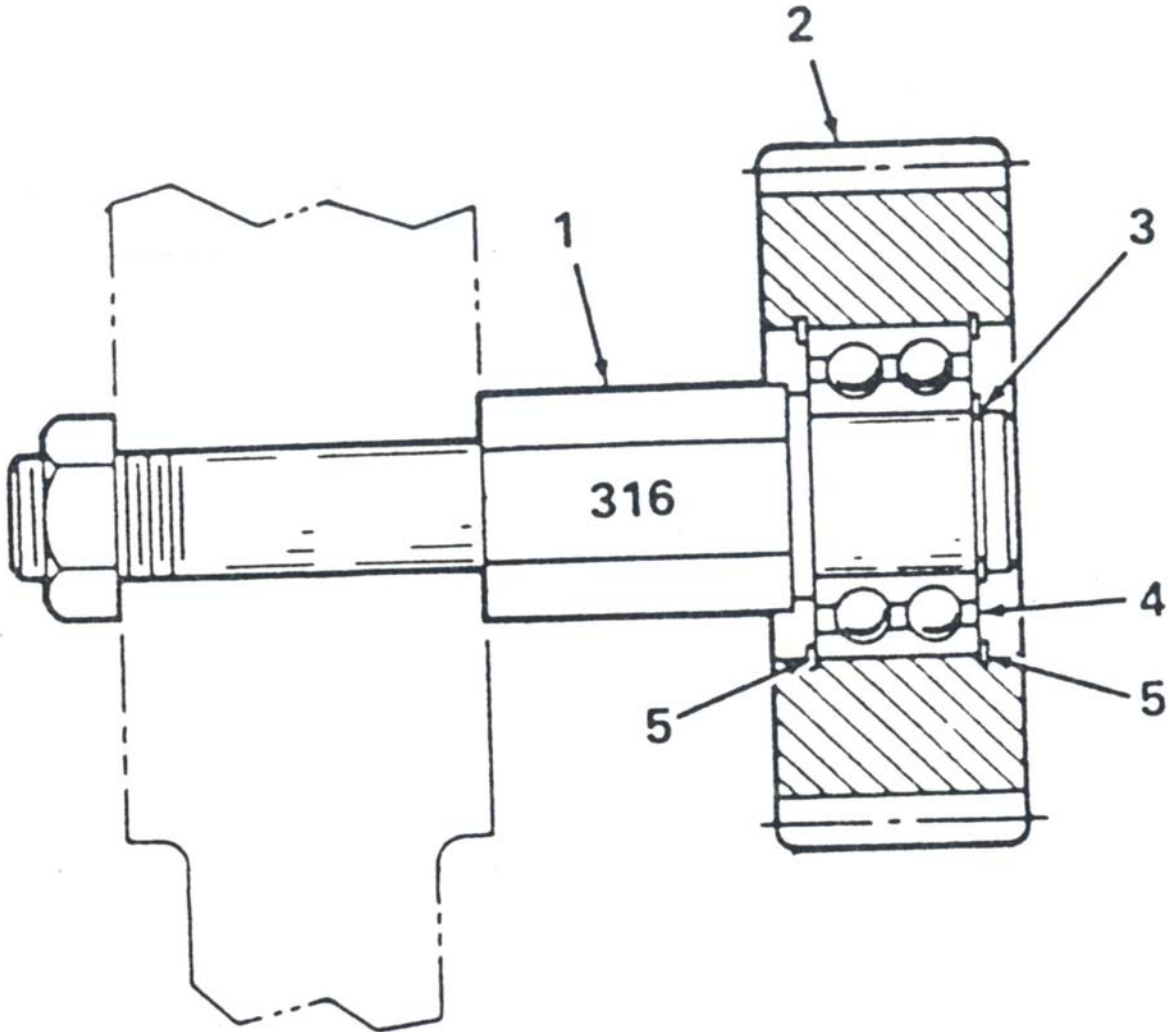


**DRIVE DISCONNECT - QUARTER FOLD**

NO.	STOCK NO.	DESCRIPTION	GOSS PART NO.
1		Knob	
2		Throwoff Lever Pin	
3		Compression Spring	
4		Washer	
5		Lever Stop Bracket	
6		Disconnect Lever	
7		Key	
8		Eccentric Stud	
9		Idler Gear	
10		Retaining Ring	
11		Bearing	
12		Retaining Ring	



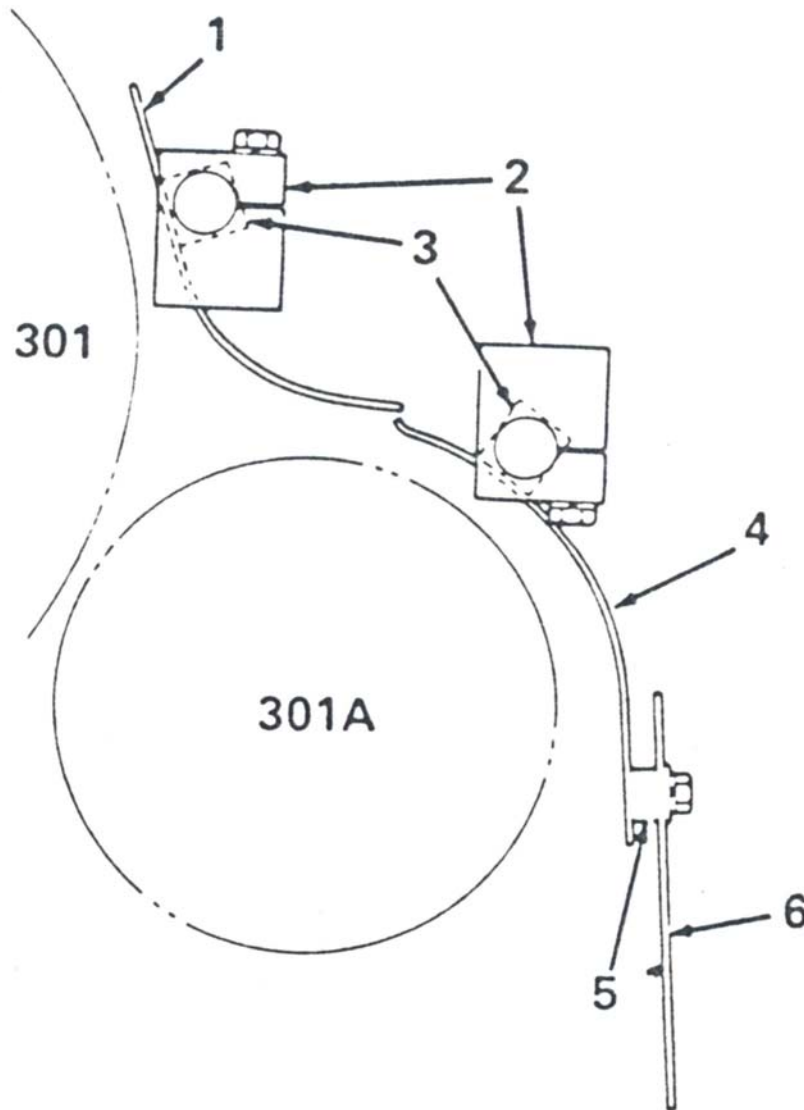
**COMMUNITY FOLDER**



**INTERMEDIATE DRIVE GEAR - QUARTER FOLD**

NO.	STOCK NO.	DESCRIPTION	GOSS PART NO.
1	20885	Stud	B-098257
2	20886	Intermediate Gear	B-098267
3	20582	Retaining Ring	98C-040164
4	20581	Bearing	285-722605
5	21171	Retaining Ring	545-885470

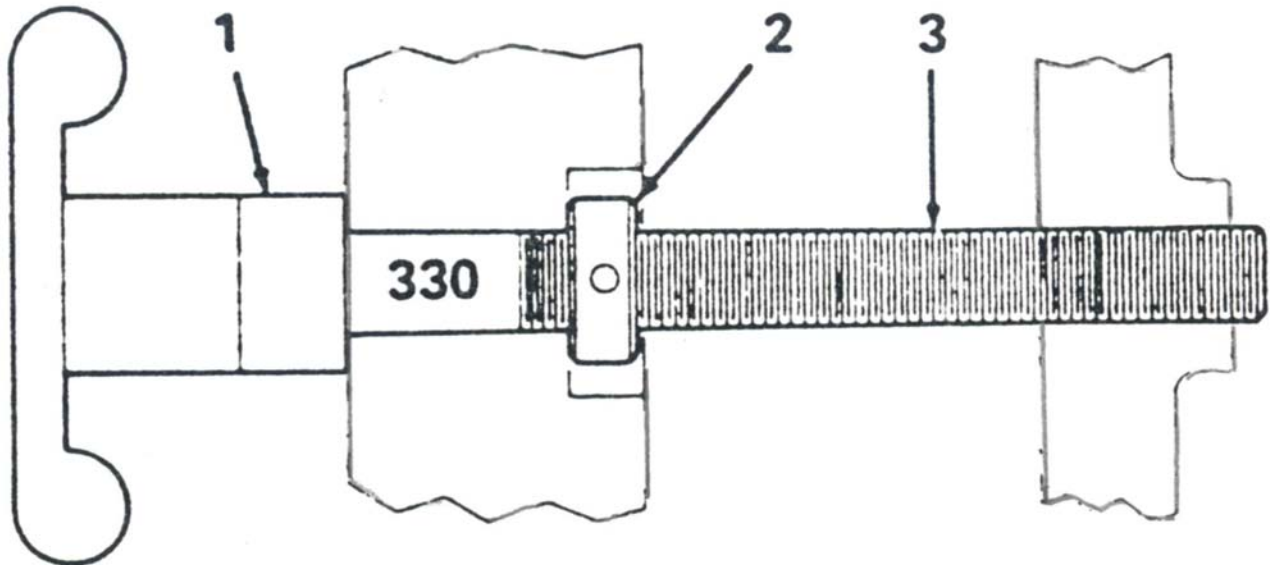
**COMMUNITY FOLDER**



**SHOES - PARALLEL FOLD**

NO.	STOCK NO.	DESCRIPTION	GOSS PART NO.
1	20887	Shoe Pan	1C-011999
2	20888	Bracket	C-075188
3	20806	Shaft	1B-110243
4	20889	Shoe Pan	1C-063343
5	20890	Clamp Block	1B-113112
6	20891	Shoe Guide	1B-113113

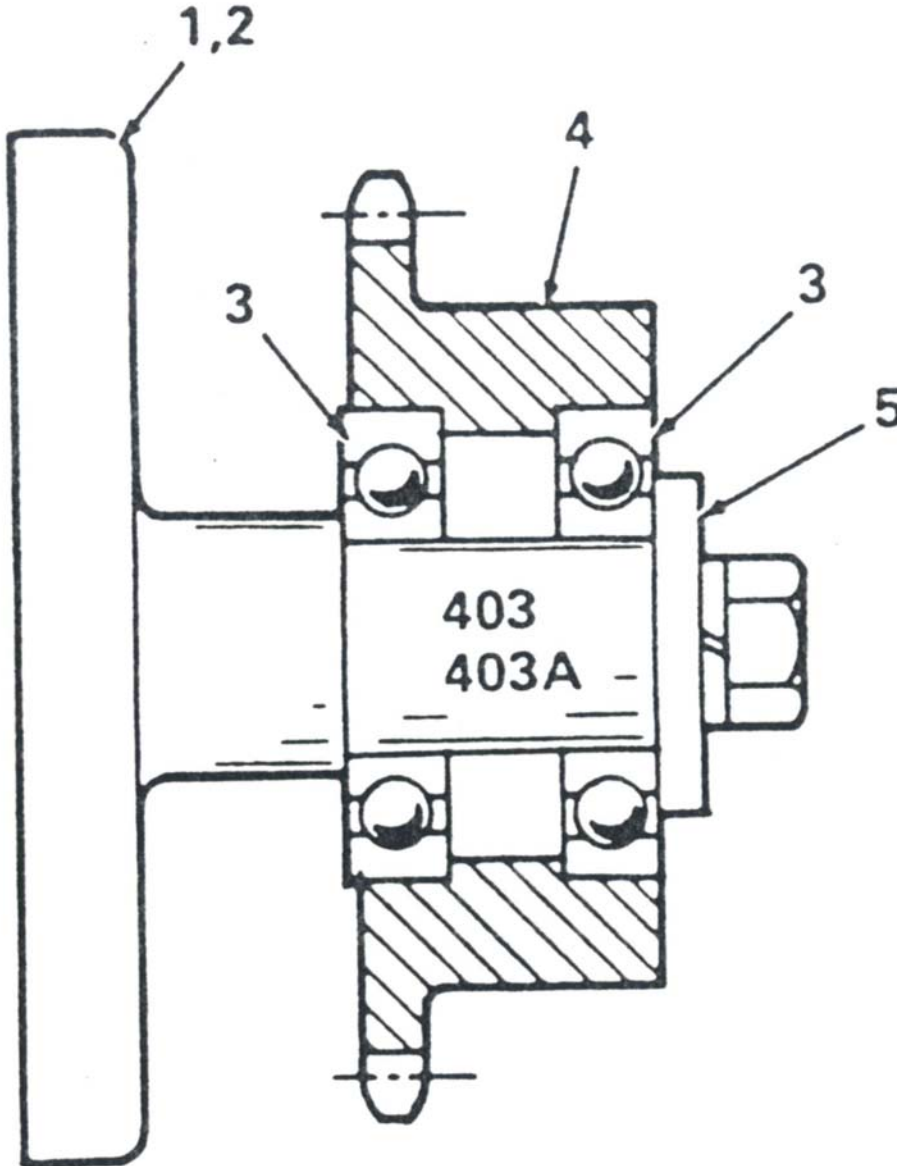
**COMMUNITY FOLDER**



**CENTERING SCREW - QUARTER FOLD**

NO.	STOCK NO.	DESCRIPTION	GOSS PART NO.
1		Spacer	
2		Collar	
3	21163	Adjustment Screw with Knob	B-098432

**COMMUNITY FOLDER**



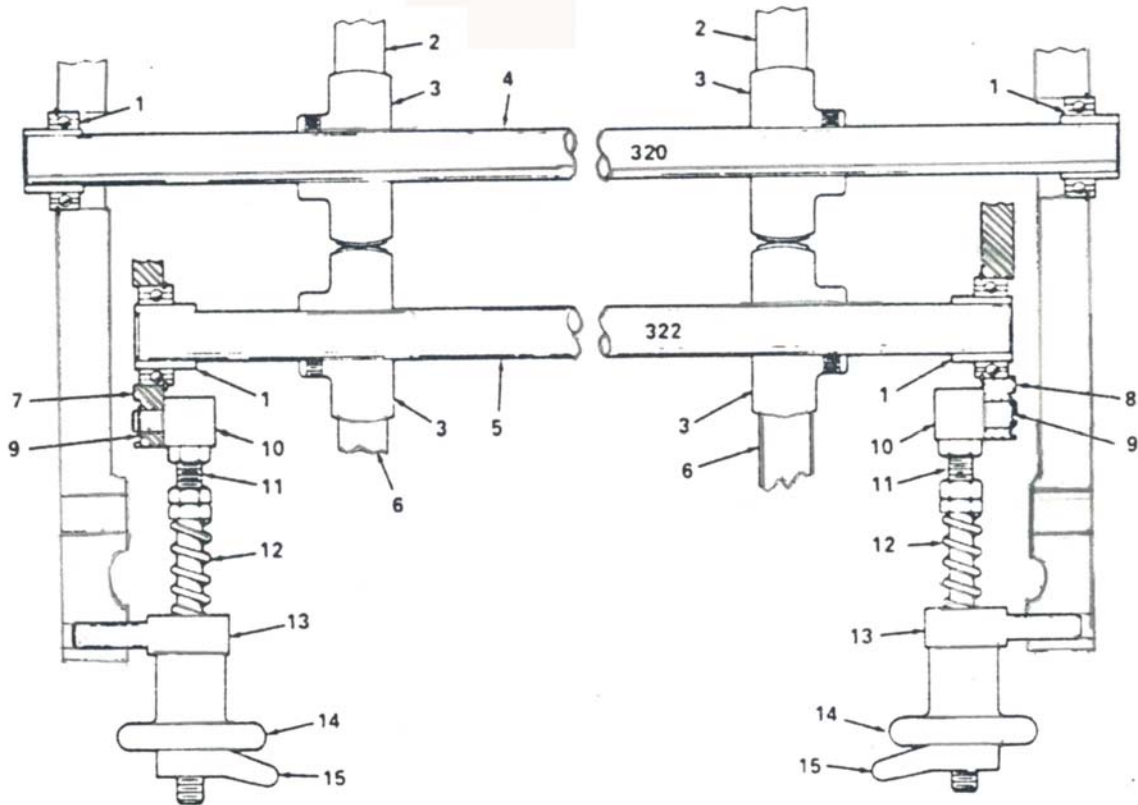
**IDLER SPROCKET ASSEMBLY - NIP ROLLER DRIVE**

NO.	STOCK NO.	DESCRIPTION	GOSS PART NO.
1	20176-4	Bracket, center 403	1B-142068
2	20176-4	Bracket, center 403A	1B-142068
3	20176-3	Bearing	214-722605
4	20176-1	Sprocket	1B-115729
5	20176-2	Washer	1B-115741

[www.a-americanpressparts.com](http://www.a-americanpressparts.com)

Check our website for updates!

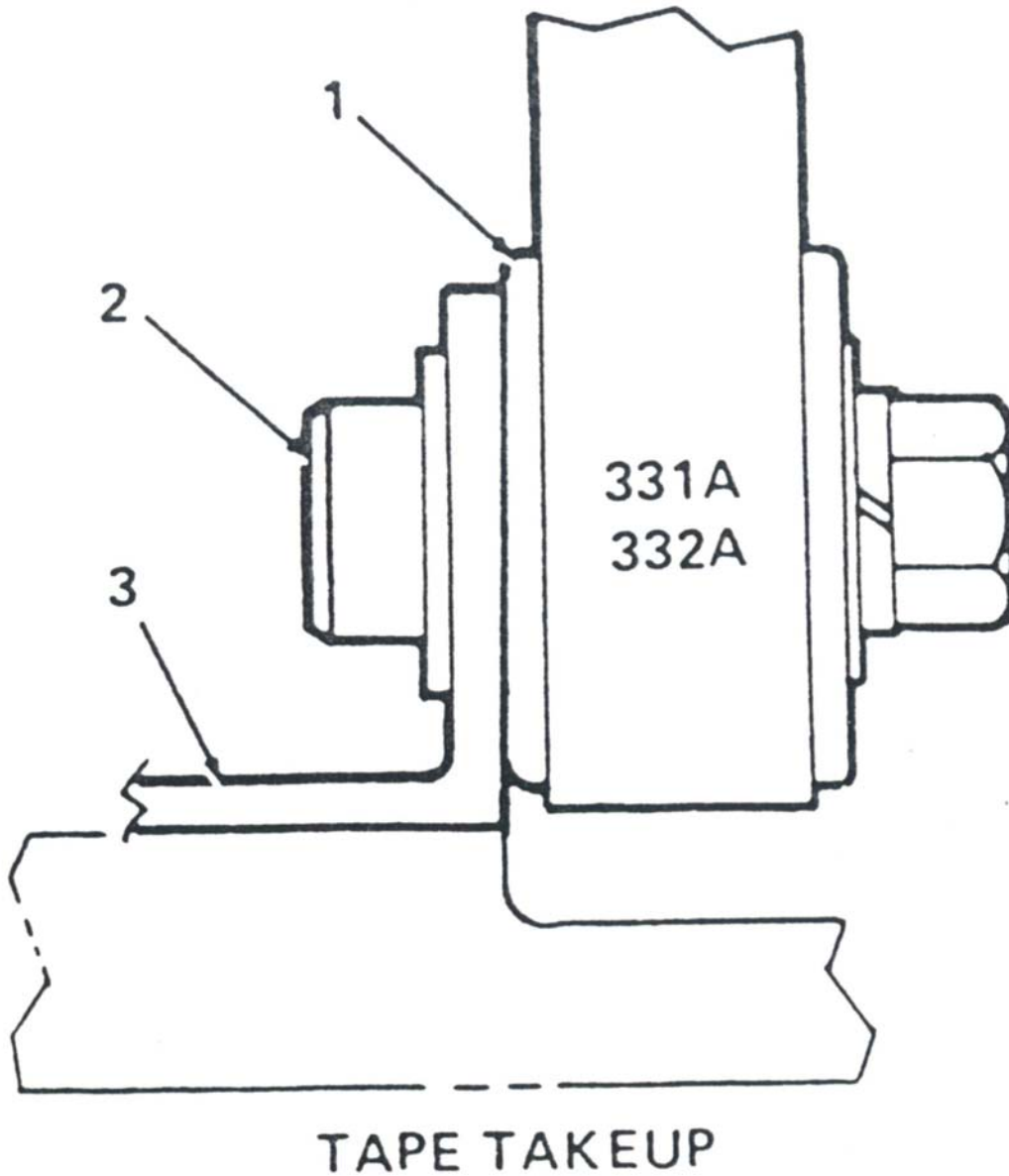
**COMMUNITY FOLDER**



**TAPE ROLLER ASSEMBLY - QUARTER FOLD**

NO.	STOCK NO.	DESCRIPTION	GOSS PART NO.
1	20892	Bearing	301-722605
2	20893	Quarter Fold Tape	2B-124938
3	20894	Tape Pulley	B-124020
4	20895	Shaft	2B-124579
5	20896	Shaft	1B-124579
6	20897	Quarter Fold Tape	1B-124938
7	20898	Tape Adjustment Lever, Op sd	2C-074487
8	20899	Tape Adjustment Lever, Dr sd	1C-074487
9		Retaining Ring	
10	20900	Poppet	1B-124584
11	20901	Adjustment Screw	B-124574
	20902	Adjustment Screw	B-132253
12	20160	Spring	1AR-004754
13	20903	Poppet	1B-125096
14	20904	Knob	B-098503
15	20905	Locknut	B-124931
	20906	Locknut	B-132225

**COMMUNITY FOLDER**

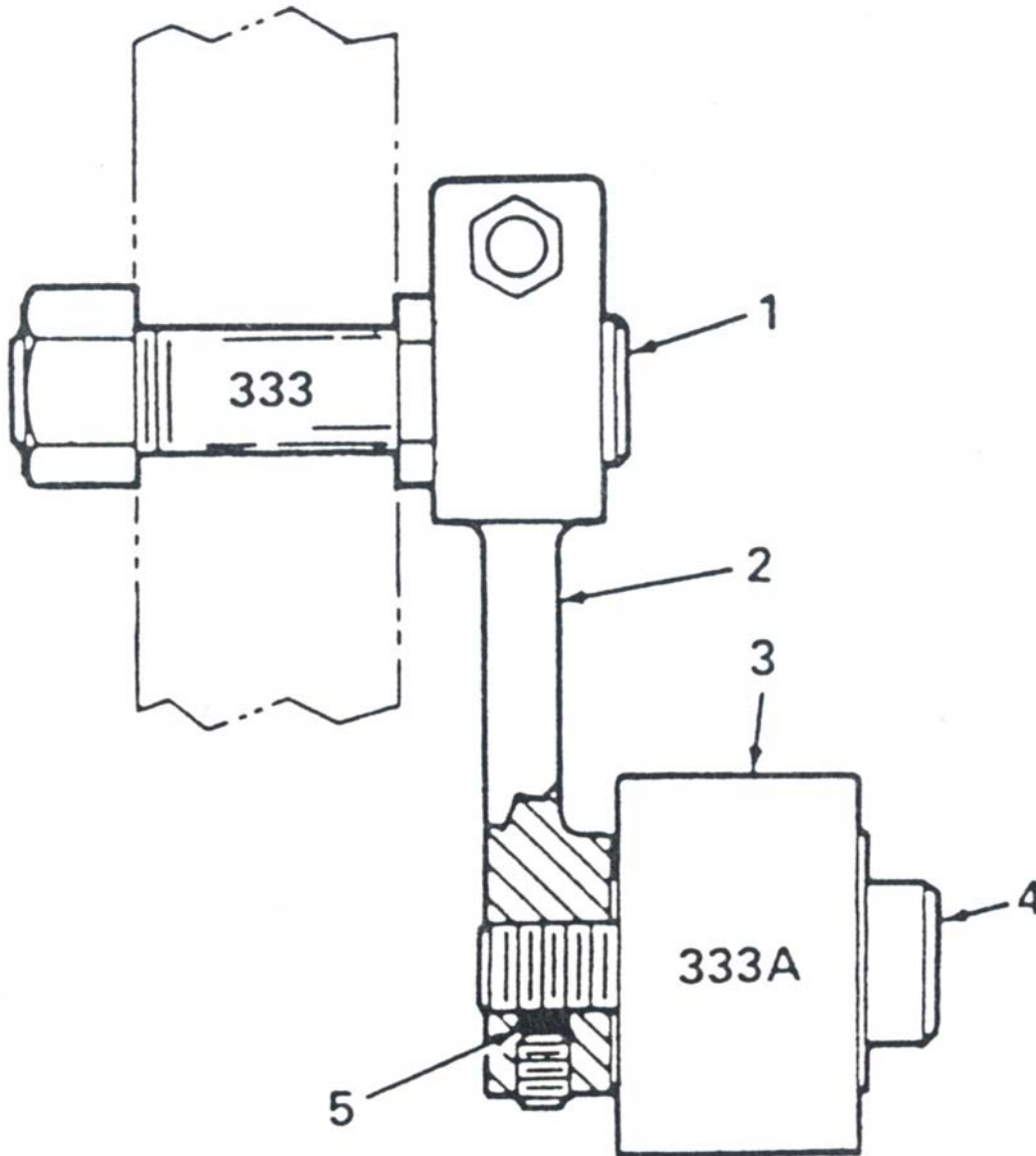


**TAPE TAKE-UP - QUARTER FOLD**

NO.	STOCK NO.	DESCRIPTION	GOSS PART NO.
1		Cam Follower	
2		Stripper Bolt	
3		Tape Takeup Bracket	



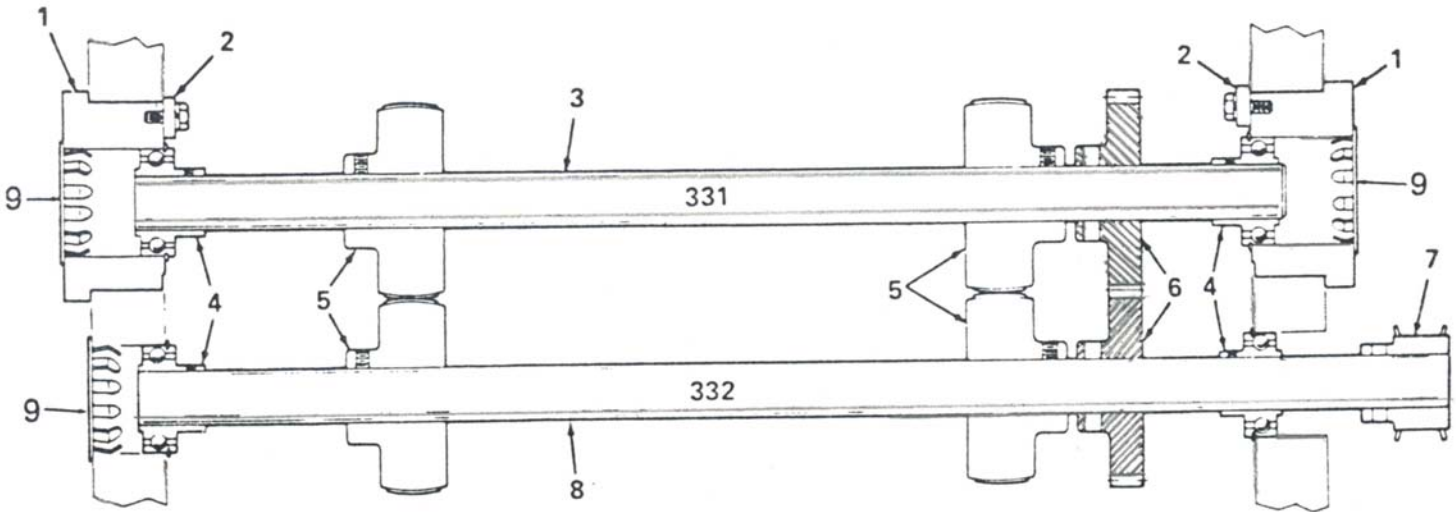
**COMMUNITY FOLDER**



**BELT TIGHTENER - QUARTER FOLD**

NO.	STOCK NO.	DESCRIPTION	GOSS PART NO.
1		Stud	
2		Takeup Lever	
3		Cam Follower	
4		Stripper Bolt	
5		Nylon Plug	

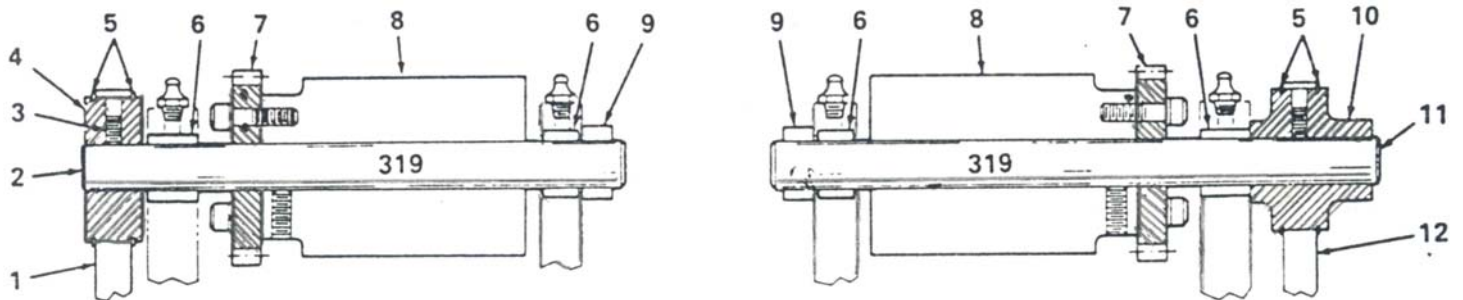
**COMMUNITY FOLDER**



**TAPE DRIVE SHAFT ASSEMBLY - QUARTER FOLD**

NO.	STOCK NO.	DESCRIPTION	GOSS PART NO.
1	20907	Eccentric Sleeve	1B-124580
2	20908	Special Washer	1B-124842
3	20909	Tape Shaft	1B-124937
4	20892	Bearing	301-722605
5	20894	Tape Pulley	B-124020
6	20910	Tape Gear	1C-074015
7	20911	Timing Belt Pulley	1B-124582
8	20912	Tape Shaft	1B-124936
9	20913	Dust Cap	18B-103039

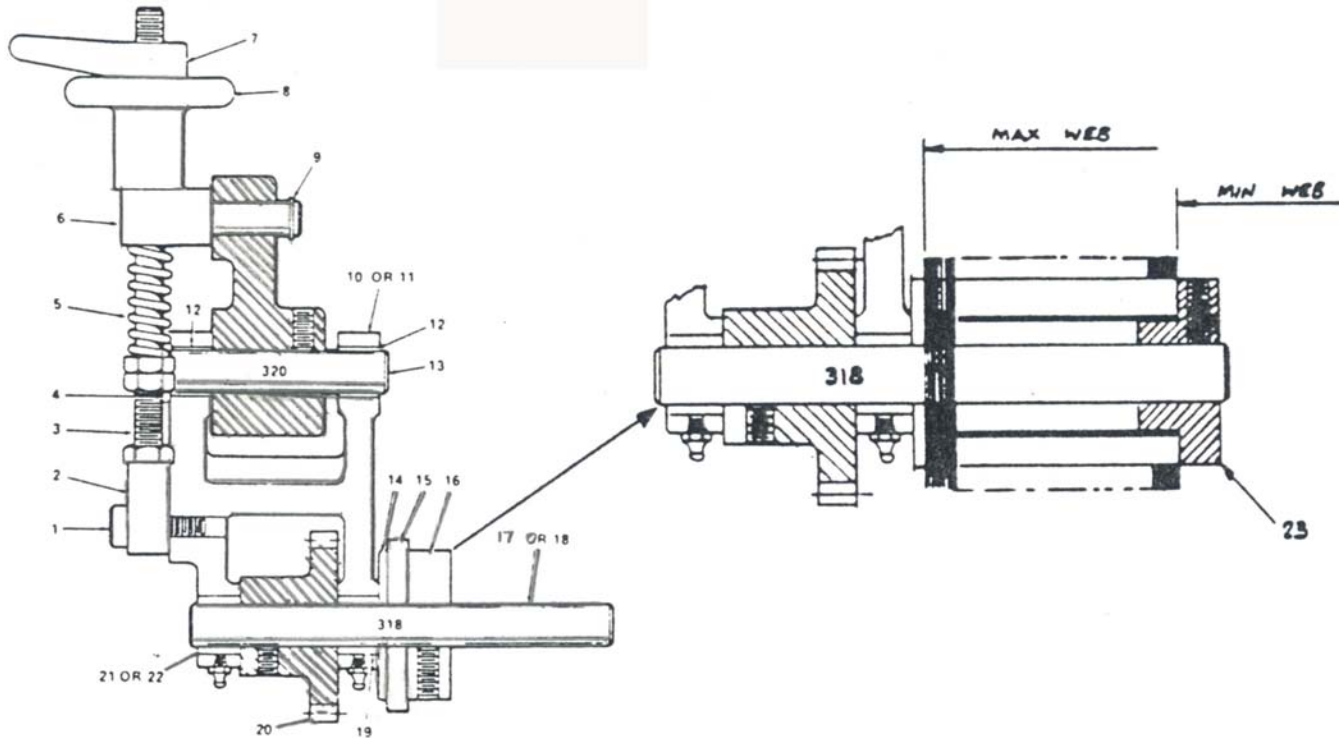
**COMMUNITY FOLDER**



**LOWER NIPPING PULLEYS - QUARTER FOLD**

NO.	STOCK NO.	DESCRIPTION	GOSS PART NO.
1	20181	Timing Belt	51-723675
2	20914	Shaft, Op side	B-111601
3		Nylok Set Screw	
4	20915	Nipping Roller Pulley	B-111518
5		Snap Ring	
6	20916	Roller Bearing	589-722657
7	20227	Nipping Pulley Gear	1B-111520
8	20917	Nipping Pulley	B-111519
9	20918	Collar	812C-040081
10	20915	Nipping Roller Pulley	1B-111518
11	20914	Shaft, Dr Side	B-111601
12	20181	Timing Belt	51-723675

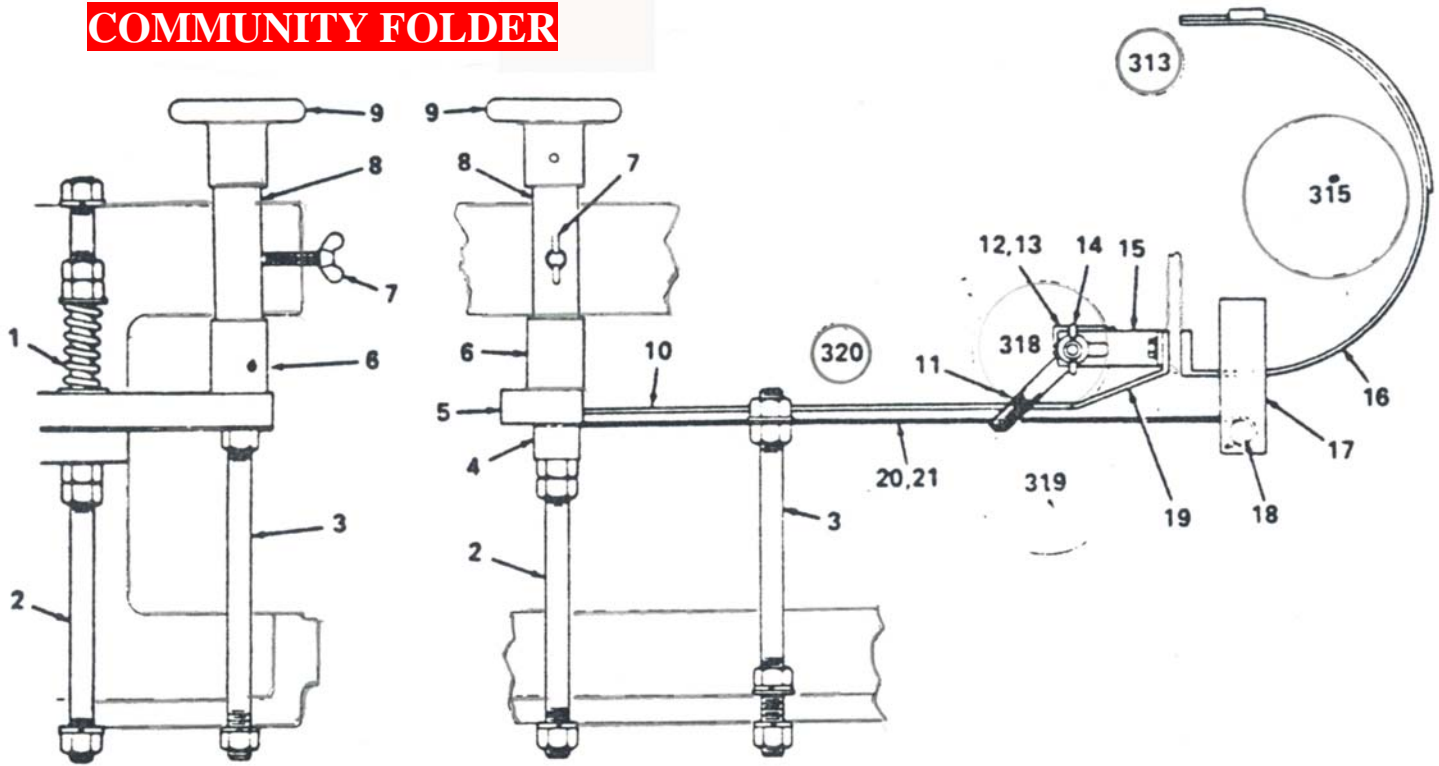
**COMMUNITY FOLDER**



**UPPER NIP PULLEY - QUARTER FOLD**

NO.	STOCK NO.	DESCRIPTION	GOSS PART NO.
1	20514	Stripper Bolt	5006C-040131
2	20920	Adjustment Block	1B-109086
3	20921	Adjustment Screw	1B-131758
4	40680	Collar	750C-040081
5	20161	Spring	1B-109303
6	20922	Poppet	B-098288
7	20831	Locknut	AR-001279
8	20923	Knob	1B-131757
9	40553	Retaining Ring	62C-040164
10	20924	Nip Pulley Lever, Op Side	C-090271
11	20924	Nip Pulley Lever, Dr Side	C-090271
12	20107	Bushing	29-729400
13	20925	Shaft	B-098287
14	20926	Retainer	1B-110037
15	20398	Trolley	2B-111359
16	20927	Nipping Pulley	1B-111517
17	20928	Shaft, Op Side	1B-141105
18	20928	Shaft, Dr Side	1B-141105
19	20929	Needle Bearing	542-722657
20	20930	Nipping Pulley Gear	C-062248
21	20929	Needle Bearing, Op side	542-722657
22	20929	Needle Bearing, Dr side	542-722657
23	20931	Delivery Brush	29B-111359

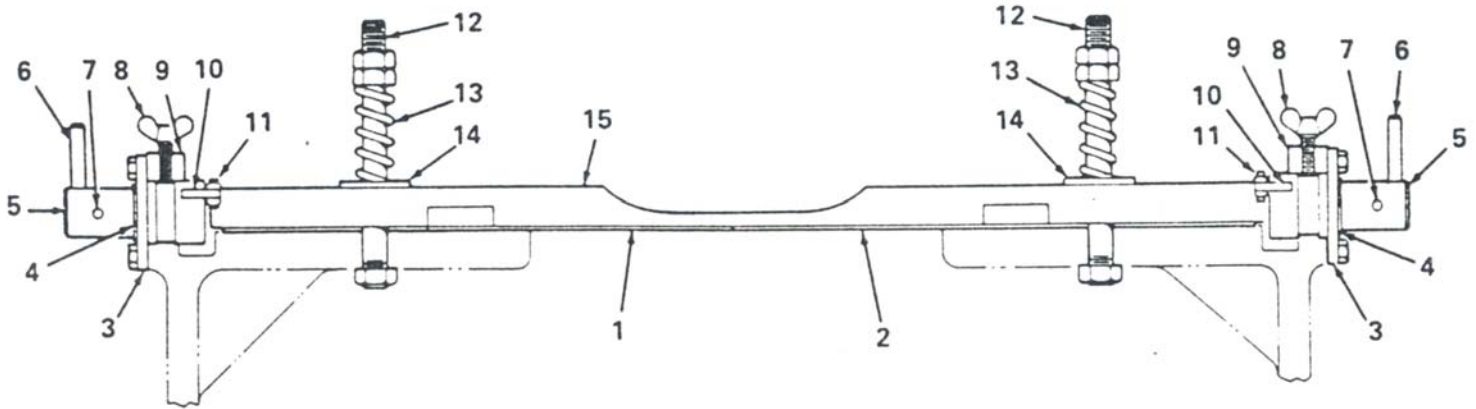
**COMMUNITY FOLDER**



**FOLDING TABLE - QUARTER FOLD**

NO.	STOCK NO.	DESCRIPTION	GOSS PART NO.
1	20160	Spring	1AR-004754
2	20932	Table Support Rod	1B-102707
3	20933	Table Support Rod	1B-110030
4	20934	Table Support Bar	B-102702
5	20935	Front Stop	1B-107517
6	20936	Front Stop Adj Eccentric	C-064156
7	20942	Thumbscrew	
8	20937	Front Stop Adj Shaft	1B-107932
9	20938	Knob	1B-101410
10	20939	Outside Paper Guide	1B-102706
11	20940	Paper Stop Brush	B-110336
	20091	Paper Stop Brush	B-097206
12	20941	Brush Bracket, Op Side	B-111793
13	20941	Brush Bracket, Dr Side	B-117793
14	20942	Thumbscrew	2520C-040150
15	20943	Brush Bracket	B-111792
	20944	Brush Bracket	B-104375
16		Guard	
17	20945	Table Bracket	1B-114009
18	20946	Table Support Shaft	1B-111551
19	20947	Inside Paper Guide	1B-098354
20	20948	Table, Op Side	C-060601
21	20948	Table, Dr. Side	C-060601

**COMMUNITY FOLDER**

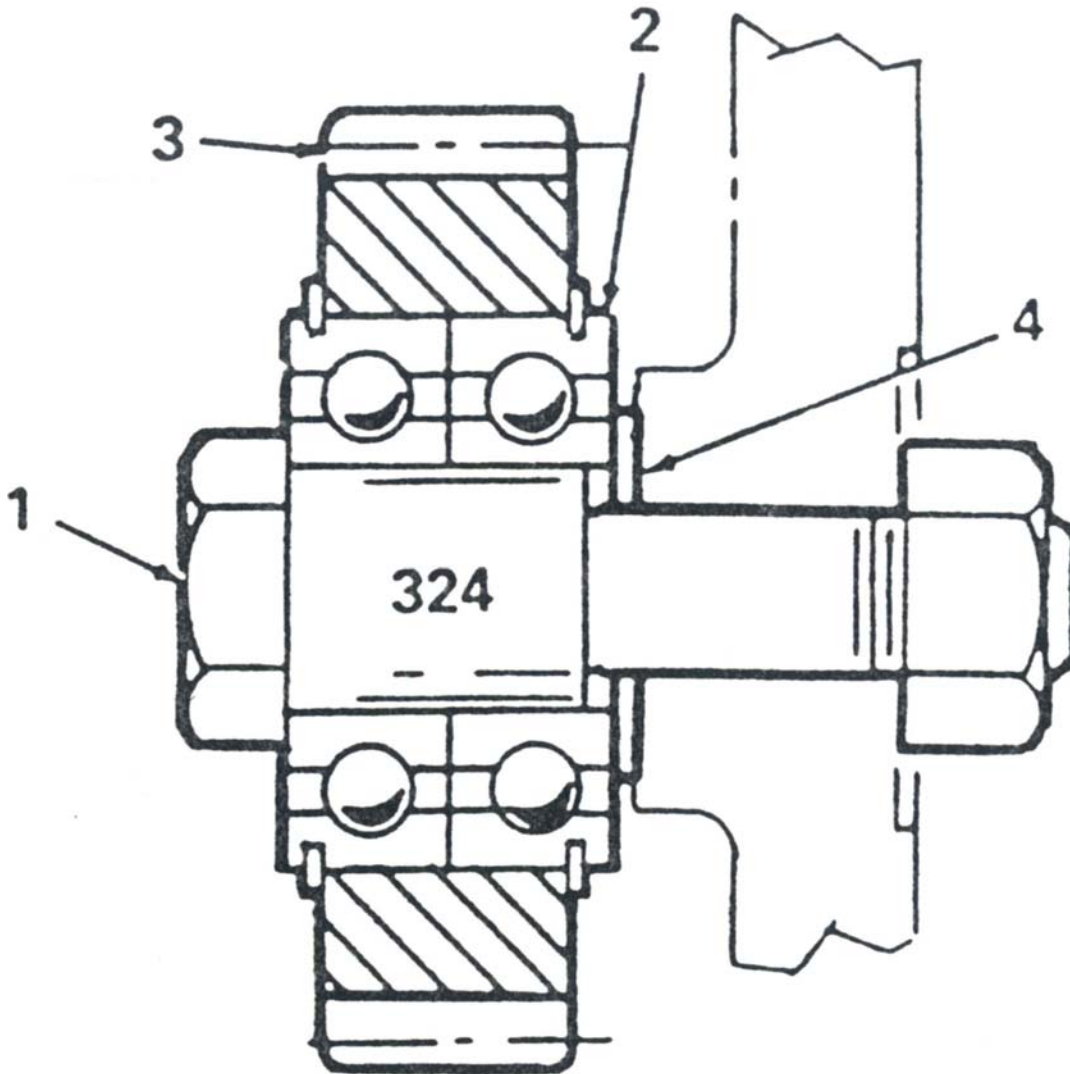


**TAPE & PAPER STOP - QUARTER FOLD**

NO.	STOCK NO.	DESCRIPTION	GOSS PART NO.
1	20949	Quarter Fold Table	C-074812
	20950	Quarter Fold Table	C-082109
2	20949	Quarter Fold Table	C-074812
	20950	Quarter Fold Table	C-082109
3	20951	Stop Adjustment End Plate	B-124880
4	20582	Retaining Ring	98C-040164
5	20952	Stop Adjustment Shaft	B-124879
6	20953	Pin	2536C-040082
7	20954	Pin	2536C-040082
8	20955	Thumbscrew	2506C-040138
9	20956	Stop Adjustment Cap	B-124881
10	20957	Dowel Pin	80C-040001
11	20958	Spherical Bearing	20-722685
12	20901	Adjustment Screw	3B-124574
13	20160	Adjustment Spring	1AR-004754
14	20959	Washer	3050C-040072
15	20960	Paper Stop	1C-074762



**COMMUNITY FOLDER**



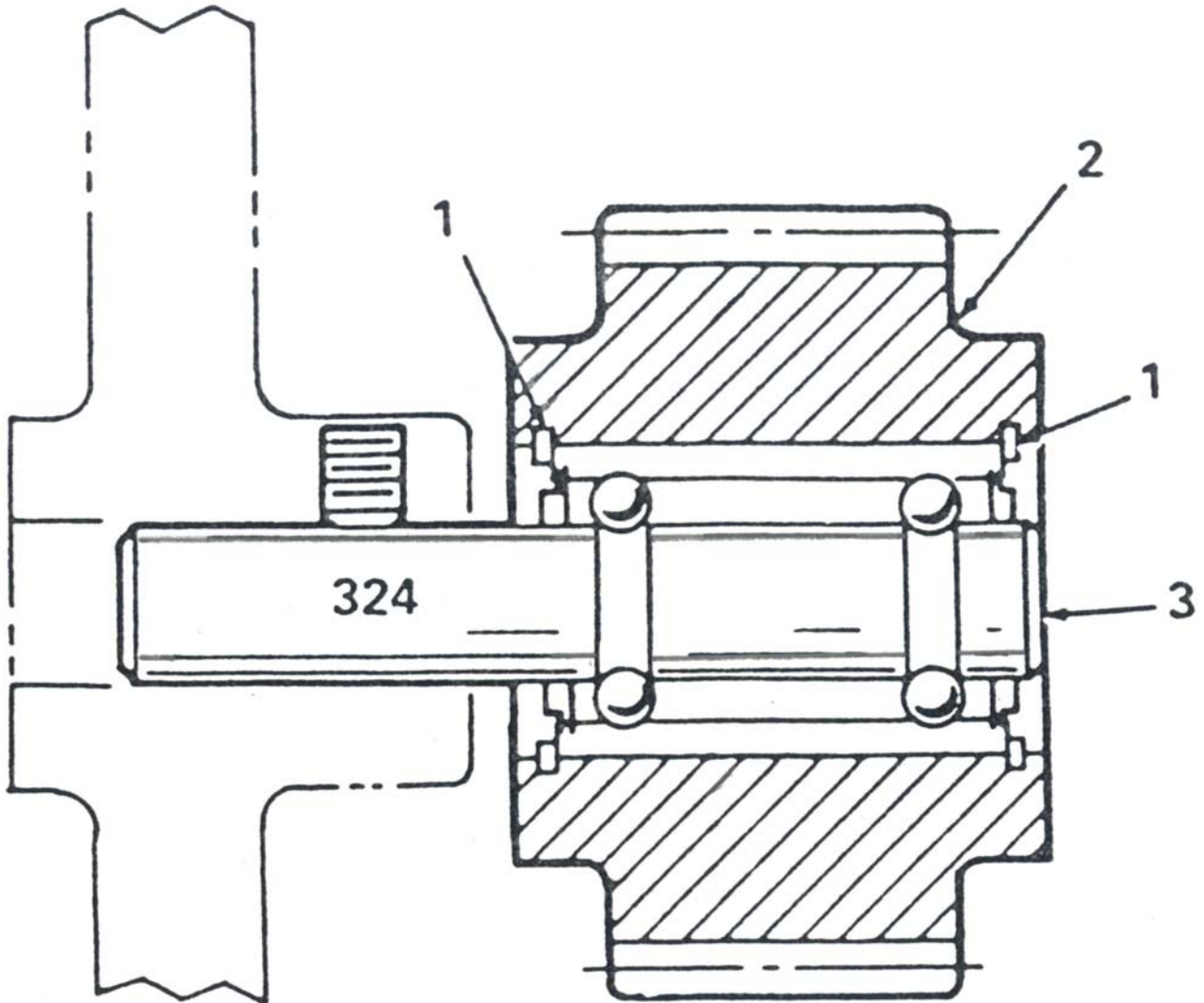
**INTERMEDIATE FOLDING DRIVE - QUARTER FOLD**

NO.	STOCK NO.	DESCRIPTION	GOSS PART NO.
1	40116	Bearing & Stud	299-722605
2	20961	Idler Gear	1B-098265
3		Special Washer	

[www.a-americanpressparts.com](http://www.a-americanpressparts.com)

Check our website for updates!

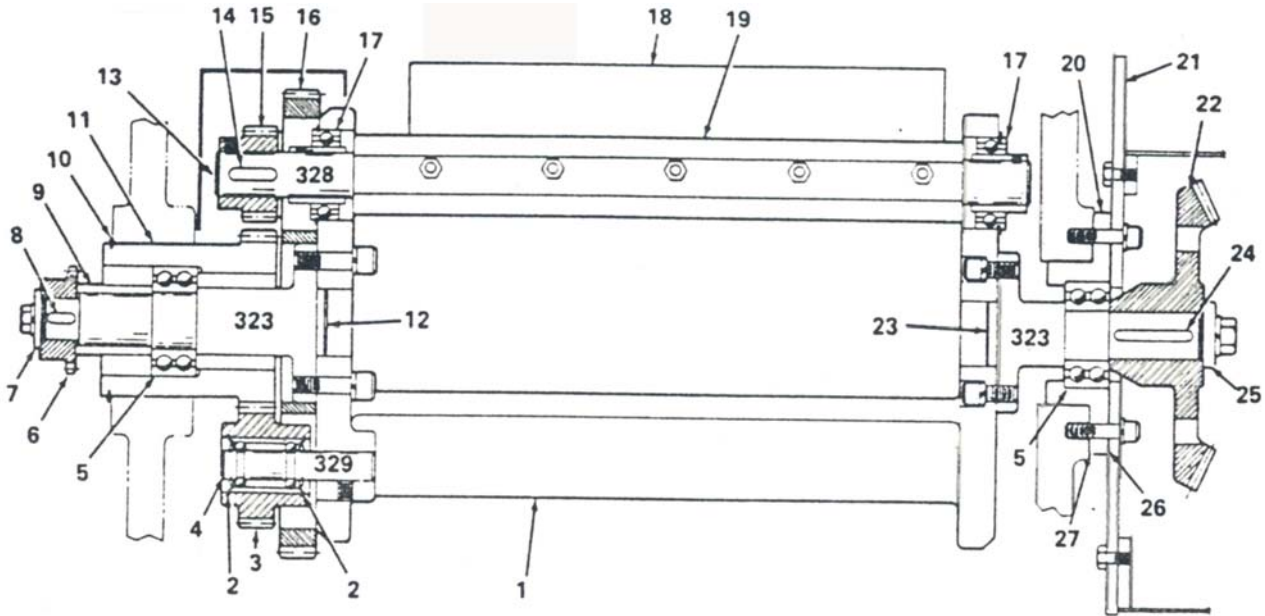
**COMMUNITY FOLDER**



**INTERMEDIATE GEAR TO FOLDING MOTION - QUARTER FOLD**

NO.	STOCK NO.	DESCRIPTION	GOSS PART NO.
1	40665	Retaining Ring	969-885470
2	20961	Intermediate Gear	B-098265
3	40116	Bearing & Stud	299-722605

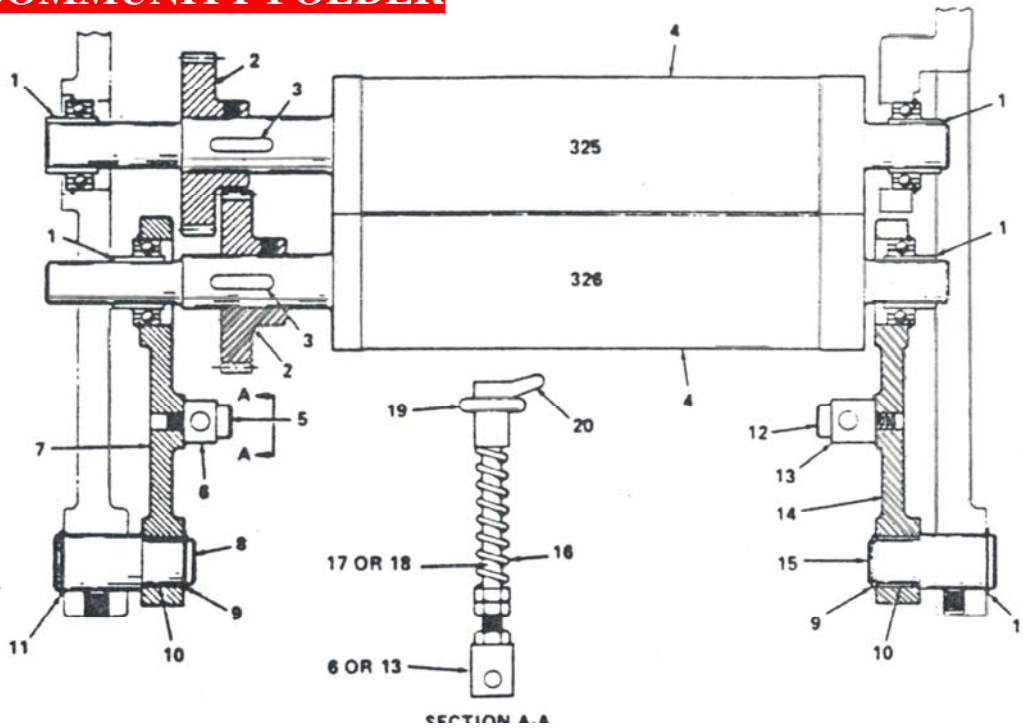
**COMMUNITY FOLDER**



**FOLDING MOTION - QUARTER FOLD**

NO.	STOCK NO.	DESCRIPTION	GOSS PART NO.
1	20962	Folding Motion Bracket	D-023921
2	20963	Retaining Ring	958-885470
3	20964	Intermediate Gear	B-098311
4	20965	Bearing & Stud	300-722605
5	20966	Bearing	276-722605
6	20967	Sprocket	1B-098255
7	20968	Washer	1AR-003423
8	20969	Key	27C-040003
9	20970	Spacer	2515C-040064
10	20971	Retaining Ring	1334-885470
11	20972	Sun Gear	C-055157
12	20973	Journal	1C-055158
13	20974	Shaft	1C-064473
14	20751	Key	75C-040003
15	20975	Gear	1B-098310
16	20976	Gear	1C-055156
17	20892	Bearing	301-722605
18	20088	Folding Blade	1C-064157
19	20977	Plate for Blade	1B-098309
20	20978	Reverse Cup	B-098308
21	20979	End Plate	1B-098307
22	20466	Bevel Gear	1C-055160
23	20980	Journal	1C-055159
24	40616	Key	148C-040003
25	20981	Washer	1AR-003425
26	20982	Shim Set	55C-040009
27	20983	Shim Set	58C-040009

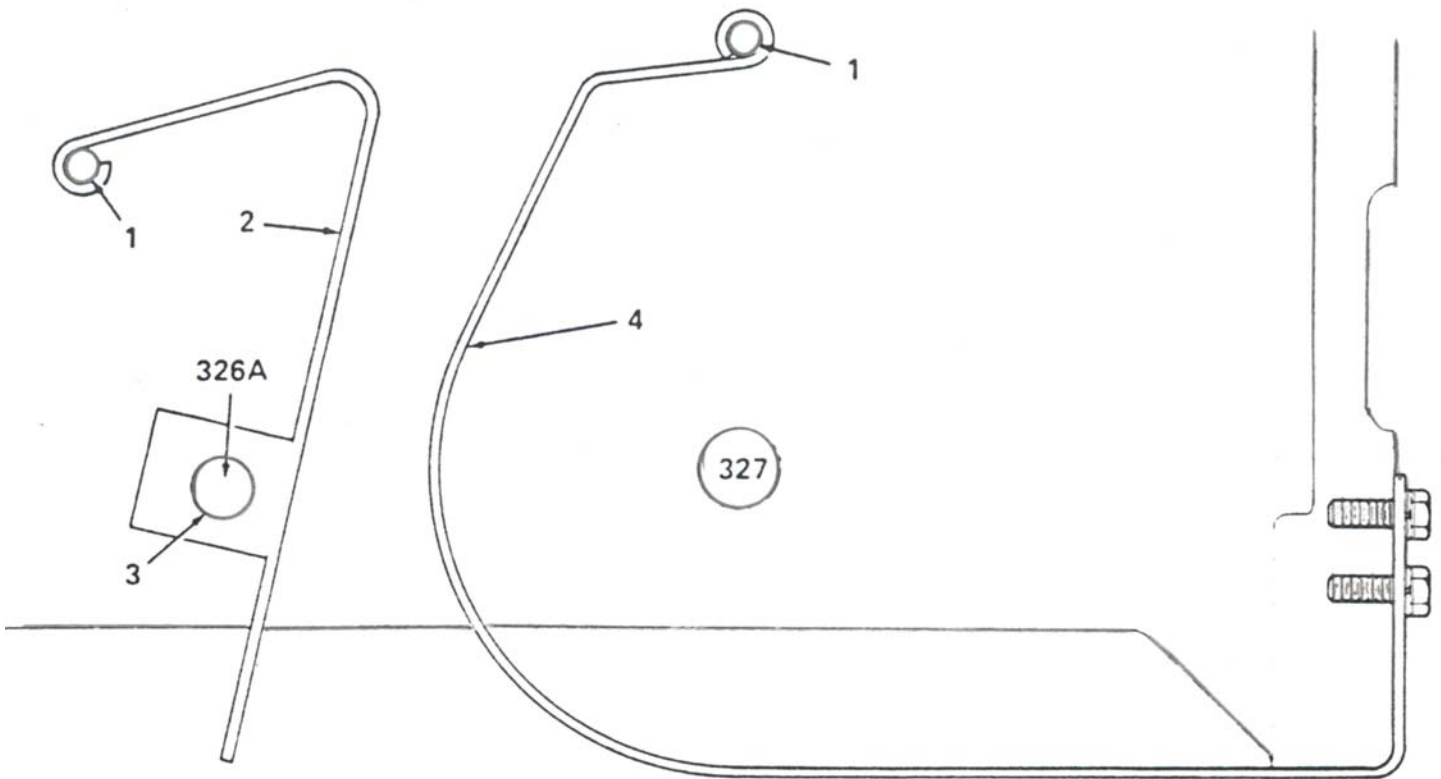
**COMMUNITY FOLDER**



**FOLDING ROLLERS - QUARTER FOLD**

NO.	STOCK NO.	DESCRIPTION	GOSS PART NO.
1	20892	Bearing	301-722605
2	20482	Gear	B-098266
3		Key	
4	20182	Folding Roller	1C-056585
5	20514	Stripper Bolt	5006C-040131
6	20083	Adjustment Block	1C-098306
7	40031	Lever	C-055133
8	20299	Stud for Lever	1B-098260
9	20984	Retaining Ring	100C-040164
10		Bronze Bushing	729457-0270
11	40638	Retaining Ring	125C-040164
12	20515	Stripper Bolt	5012C-040131
13	20084	Adjustment Block	B-099974
14	20985	Lever	C-056156
15	20247	Stud for Lever	1B-099973
16	20160	Spring	1AR-004754
17		Adjustment Screw, short	
18	20054	Adjustment Screw, long	1B-098304
19	20167	Knob	1B-098303
20	207831	Locknut	1AR-001279

**COMMUNITY FOLDER**

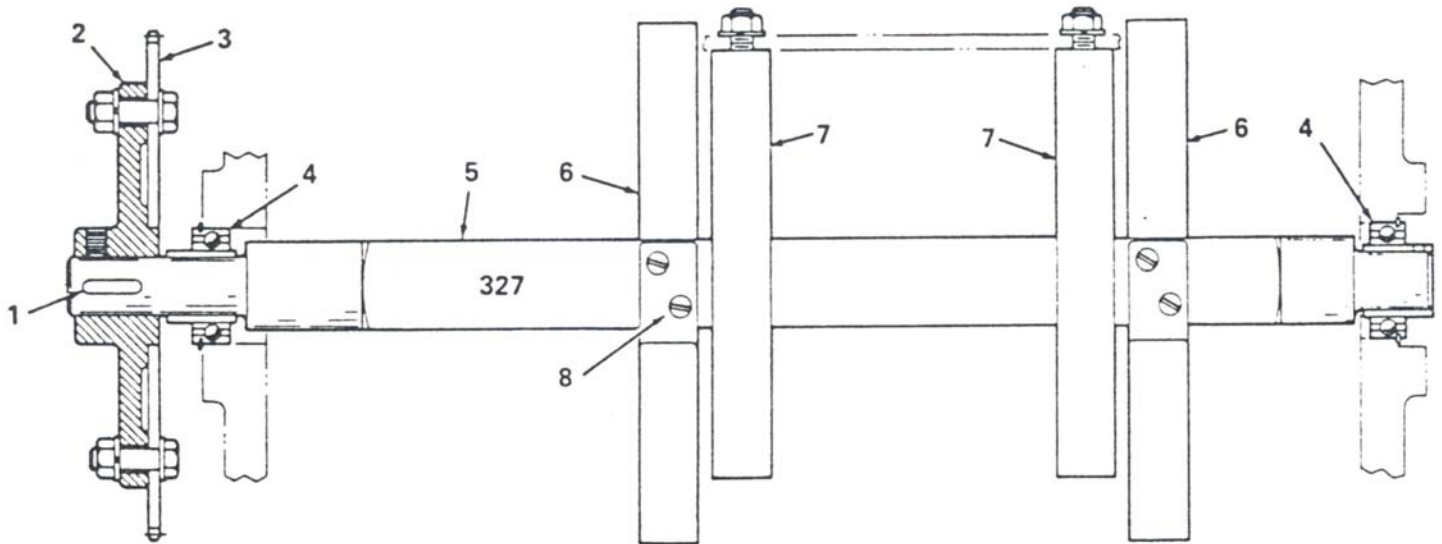


**DELIVERY SHOES - QUARTER FOLD**

NO.	STOCK NO.	DESCRIPTION	GOSS PART NO.
1		Shoe Support Rod	
2		Guide Shoe	
3		Shoe Support Shaft	
4		Shoe	



**COMMUNITY FOLDER**



**DELIVERY FLY SHAFT - QUARTER FOLD**

NO.	STOCK NO.	DESCRIPTION	GOSS PART NO.
1	20751	Key	75C-040003
2	20986	Hub for Sprocket	B-098269
3	20177	Sprocket	B-098256
4	20892	Bearing	301-722605
5	20987	Fly Shaft	C-055131
6	20094	Fly Finger	B-098254
7	20513	Stripper Shoe	C-055132
8	21166	Screw	1004C-040137
	21167	Screw	1004C-040136