



## **GOSS ANGLE BARS**

# **SEE THE LIGHT**

## **For PRESSROOM SAVINGS**



**888-434-0888**  
Toll Free

**Stocking Manufacturer of  
Quality Replacement Parts**

**(815) 965-0884 Fax (815)965-1049**



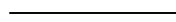
Welcome to the Quality and Service of A-American Press Parts Division. This Catalog is offered to our customers as an easy reference which will assist you in ordering your replacement parts. For your convenience it has been assembled in an ADOBE ACROBAT .PDF format. This is not a complete listing of all parts that are available, as many parts have varying detail numbers based on the type of equipment you have, the age of your equipment and the Model Revision of your equipment. If you do not find precisely what you are looking for please contact us and make use of our service department's combined 70 years of experience with Goss Equipment.

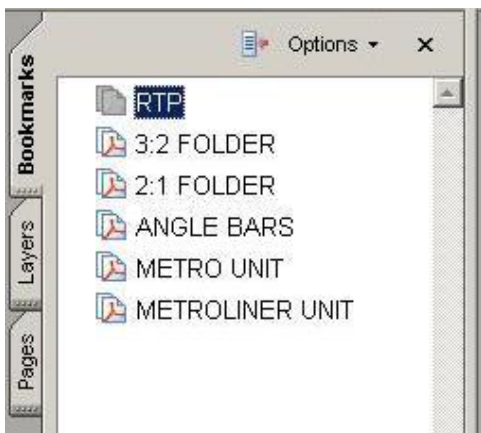
We are committed to offering our customers replacement parts of the highest quality and all parts are manufactured to meet or exceed O.E.M. specifications. If for any reason you are not completely satisfied with any product purchased you may return it for replacement, refund or credit.

## **MISSION STATEMENT**

**To offer the Newspaper industry  
excellent service and delivery  
of the highest quality replacement components  
for printing presses and their related equipment.**

# Bookmarks!

For your convenience we have added **bookmarks** to make it easier to navigate through these catalogs. If you look to the left side of the Adobe Acrobat Reader Window you will see this button:  Click this button to open the bookmarks window.

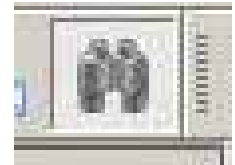


With this window open you may now click to go to any catalog you wish at any time. On each catalogs Table of Contents you will find page numbers that you can click on to be taken to any given page.

# New Feature!

## SEARCHABILITY

Using the Adobe Acrobat Reader we have added the ability to do searches within the parts catalog. You may search based upon the part description, the O.E.M part #, or the A-American part #. If you look to the top menu bars of the Adobe Acrobat Reader Window you will see this button:



Click this button to open the search window.



With this window open you may now search all the catalogs simultaneously. You will see every instance that your search query appears within the catalogs.

**\*\* See our Search Tips on the next page\*\***

# Search Tips!

Once you have the search window open you can now begin searching based on part description, O.E.M. part #, or A-American part #.

## **Part Description**

Be as general as you possibly can. If you do not find what you are looking for try other general terms. For example if you do not find Knife Box Cushions, try using Cushions or try using Cheekwoods.

## **O.E.M. Part #**

Goss has used letters and dashes at the beginning of many part numbers to signify the size drawing that a part comes from. You may find it easier to just search using the six digit portion of the part number. Additionally Goss has used many detail numbers (-xxxx the last four digits) to signify various differences between parts and models and revisions. Again, you may find it easier to just search using the six digit portion of the part number.

## **A-American Part #**

A-American has included detail numbers also (-xxx the last three digits) to signify various differences between parts, models revisions, upgrades and improvements. You may find it easier to search using just the four digit part number. For example 1523-000 or 1523-00T you may find it easier to search using the 1523.



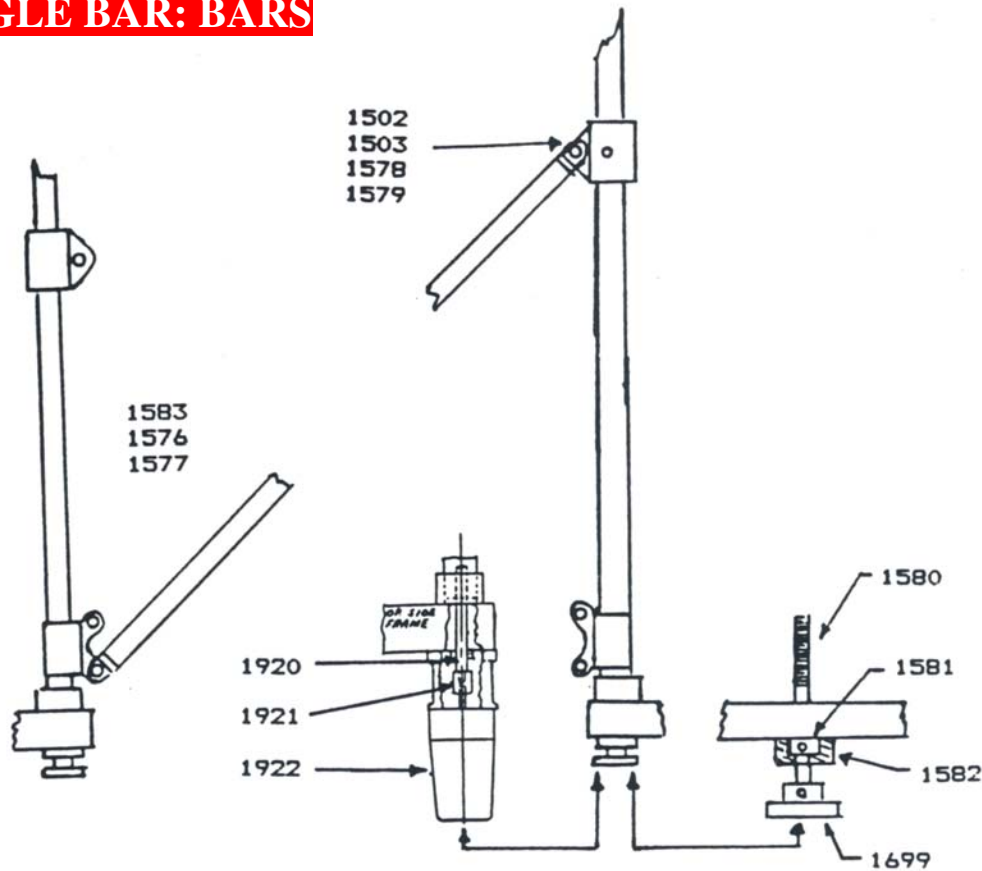
1-888-434-0888  
TOLL FREE

## ANGLE BARS

### Table of Contents

<b>Title:</b>	<b>Page</b>
<b>BARS AND COMPENSATORS</b>	
Manual & Motorized Adjusting Shaft • Walk-In Type	<u>2</u>
Angle Bar Mounting Bracket Assembly	<u>3</u>
Compensators • Manual & Motorized	<u>4</u>
Notes Page	<u>5</u>
<b>DRIVES</b>	
Versa Bars • Metro & Metroliner	<u>6</u>
Drive Assembly • Cosmo & Regent	<u>7</u>
<b>SLITTER SYSTEM</b>	
Koegel Slitter Assembly	<u>8</u>
Stationary Slitter Roller • Walk-in Type	<u>9</u>
Stationary Slitter Roller • Cosmo & Regent	<u>10</u>
Slitter Roller • Manual Sidelay	<u>11</u>
Slitter Roller • Motorized Sidelay	<u>12</u>
Friction Slitter Assembly • Roller Front of Bars	<u>13</u>
Motorized Slitter Assembly	<u>14</u>
Slitter • Walk-in Type Angle Bars	<u>15</u>
Slitter Knife or Anvil	<u>16</u>
Slitter Scrapers	<u>17</u>
<b>PNEUMATIC SYSTEM</b>	
Friction & Motorized Slitter Assembly	<u>18</u>
<b>ELECTRICAL SYSTEM</b>	
Compensator • Operator Side	<u>19</u>
Compensator • Remote Control Box	<u>20</u>

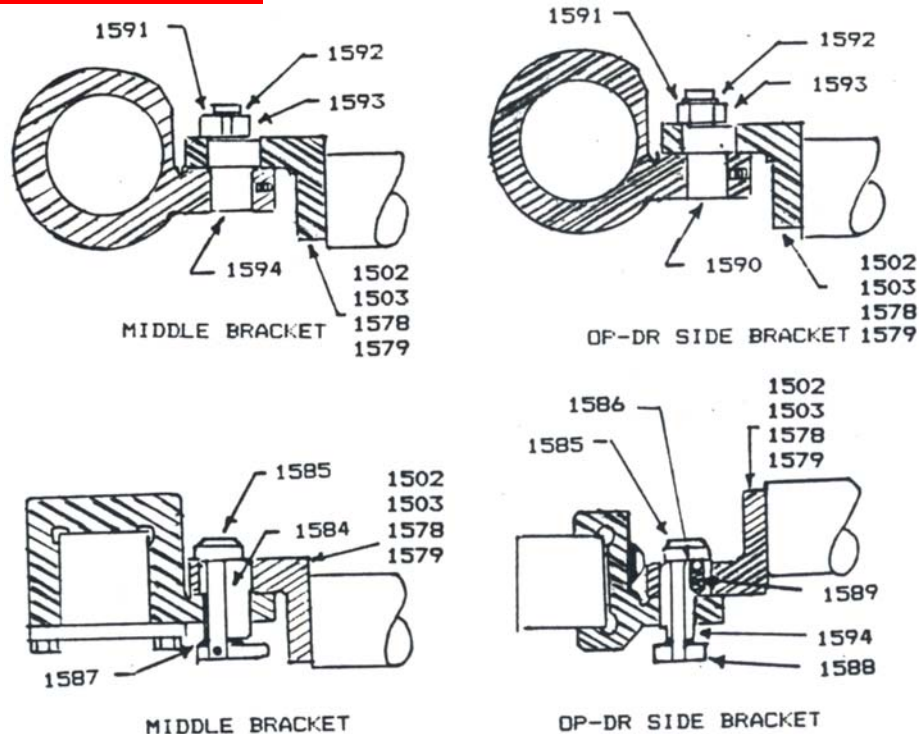
**ANGLE BAR: BARS**



**MANUAL & MOTORIZED ADJUSTING SHAFT • WALK-IN TYPE**

STOCK NO.	DESCRIPTION	GOSS PART NO.
1502	2 Hole Bracket – CI	B-128127-0001
1503	3 Hole Bracket – Steel	
1576	Solid Bar with Brackets	C-077795-0002
1577	Air Bar with Brackets	
1578	2 Hole Bracket - CI	
1579	3 Hole Bracket - Steel	
1580	Adjusting Screw	B-123335-0001
1581	Collar	B-092886-0001
11582	Collar	B-123326-0001
1583	Solid Bar – Plain	C-077795-0001
1699	Handwheel	815000-0027
1920	Shaft	B-142596-0001
1921	Coupling	C-092291-0001
1922	Motor	C-092252-0001

**ANGLE BAR: BARS**

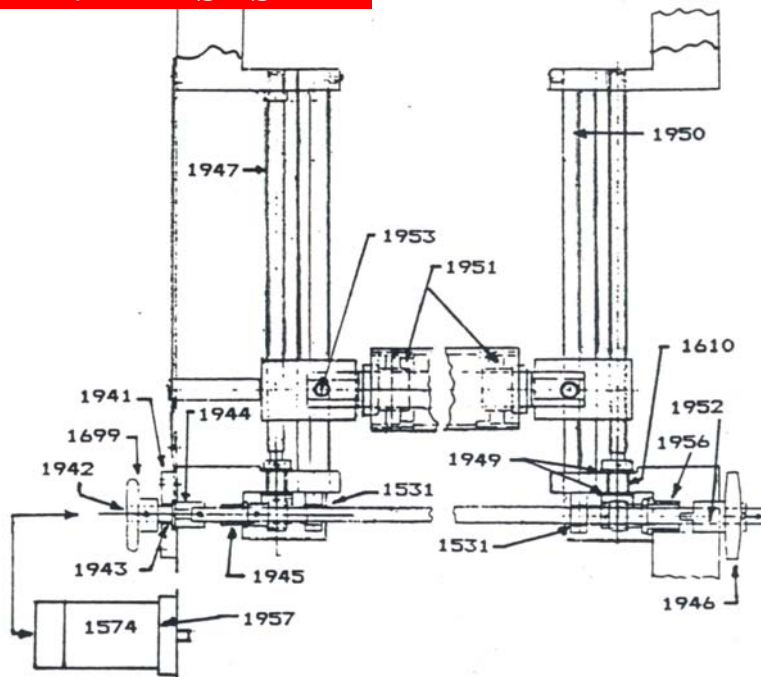


**ANGLE BAR MOUNTING BRACKET ASSEMBLY**

STOCK NO.	DESCRIPTION	GOSS PART NO.
1502	2 Hole Bracket – CI	B-128127-0001
1503	3 Hole Bracket – Steel	
1578	2 Hole Bracket - CI	
1579	3 Hole Bracket - Steel	
1584	Eccentric	B-128130-0001
1585	Clamp	B-128131-0001
1586	Ball	720871-0001
1587	Spring	897005-0020
1588	Collar	B-128132-0001
1589	Spring	897009-2950
1590	Eccentric	B-137706-0001
1591	Snap Ring	C-040164-0050
1592	Wave Washer	897090-0050
1593	Collar	B-137705-0001
1594	Eccentric	B-137707-0001
5918	Mounting Bar Bracket	C-086143-0001
5919	Sliding Bracket	C-086144-0001



**ANGLE BAR: BAR SYSTEM**



**COMPENSATORS • MANUAL & MOTORIZED**

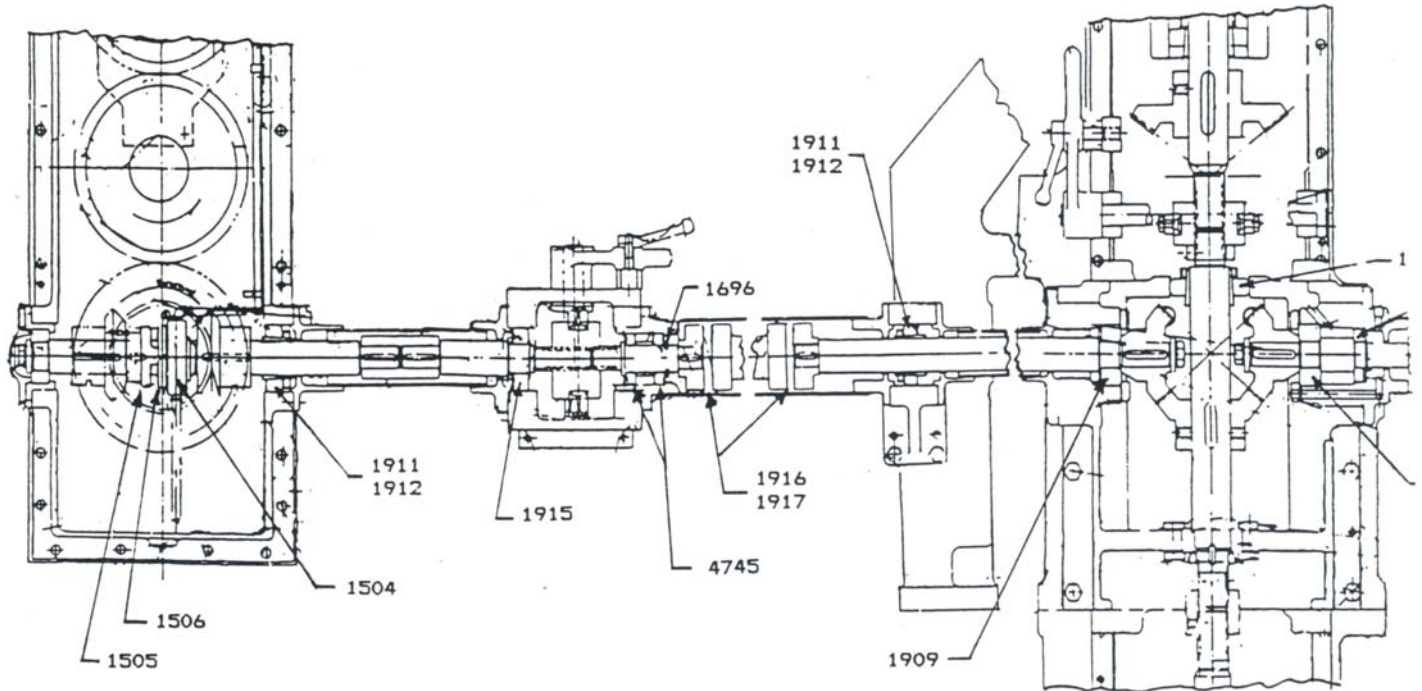
STOCK NO.	DESCRIPTION	GOSS PART NO.
1531	Bushing	C-040075-1606
1574	Motor	C-093738-0001
1699	Handwheel – Op. Side	815000-0027
1941	Mounting Plate for Handwheel	B-143584-0001
1942	Stud	B-143583-0001
1943	Bushing	C-040075-1604
1944	Coupling	B-142872-0001
1945	Bushing	729405-1706
1946	Handwheel	B-128768-0000
1947	Adjusting Screw	B-123327-0001
1948	Bushing	C-040075-1610
1949	Washer	930889-0124
1950	Guide Rod	C-078301-0215
1951	Bearing	722605-0026
1952	Spring	B-123334-0001
1953	Bolt	891200-0012
1956	Bushing	729405-1710
1957	Motor Mounting Plate	B-142871-0001



**1-888-434-0888**  
**TOLL FREE**

**ANGLE BAR: NOTES**

**ANGLE BAR: DRIVE**



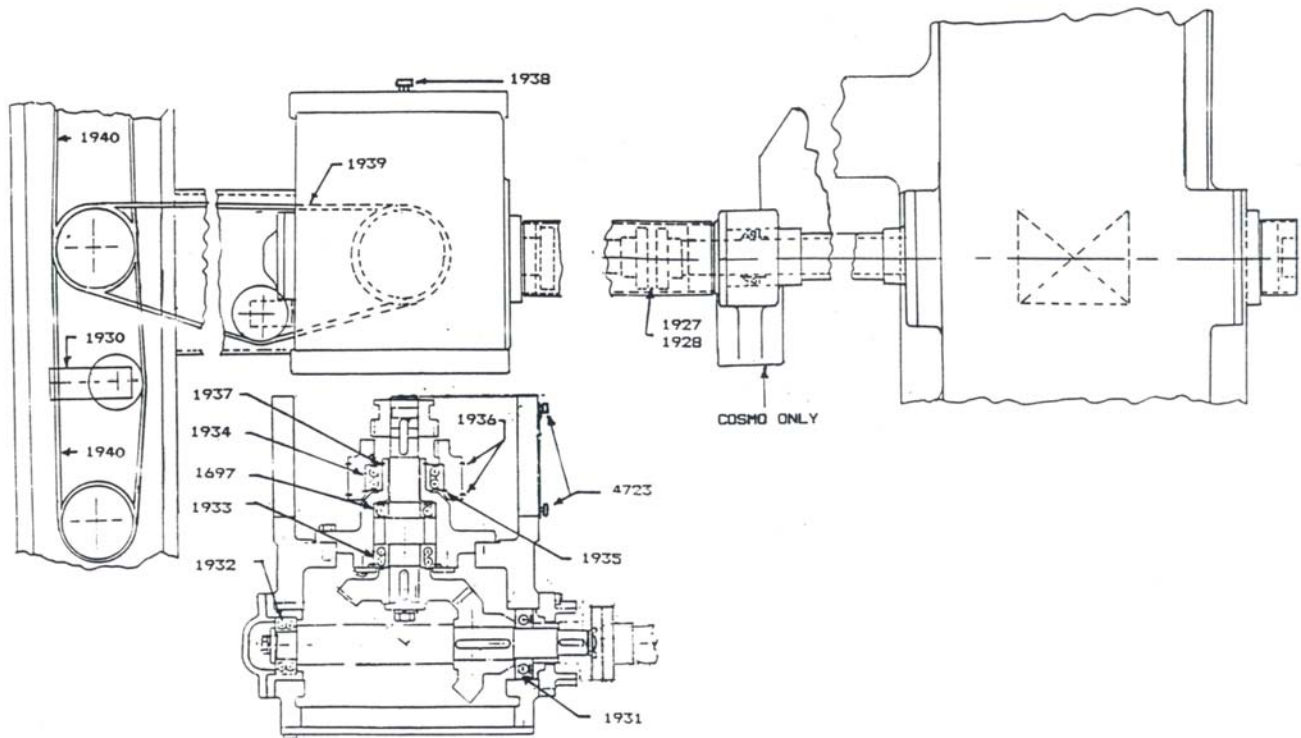
**VERSA BARS • METRO & METRO-LINER**

STOCK NO.	DESCRIPTION	GOSS PART NO.
1504	Oil Pump	B-129410-0001
1505	Drive Gear	C-077907-0001
1506	Oil Pump Gear	C-077907-0002
1696	Retainer Ring	885470-1156
1909	Bearing	C-040109-5308
1910	Bearing	C-040102-6208
1911	Bearing	C-040114-1211
1912	Adapter	C-040122-1120
1913	Bearing	722605-0525
1914	Bearing	C-040107-5308
1915	Bearing	C-040103-6309
1916	Shim Set for Coupling	
4710	Bearing	C-040106-5209
4745	Bearing	722605-0566

[www.a-americanpressparts.com](http://www.a-americanpressparts.com)

Check our website for updates!

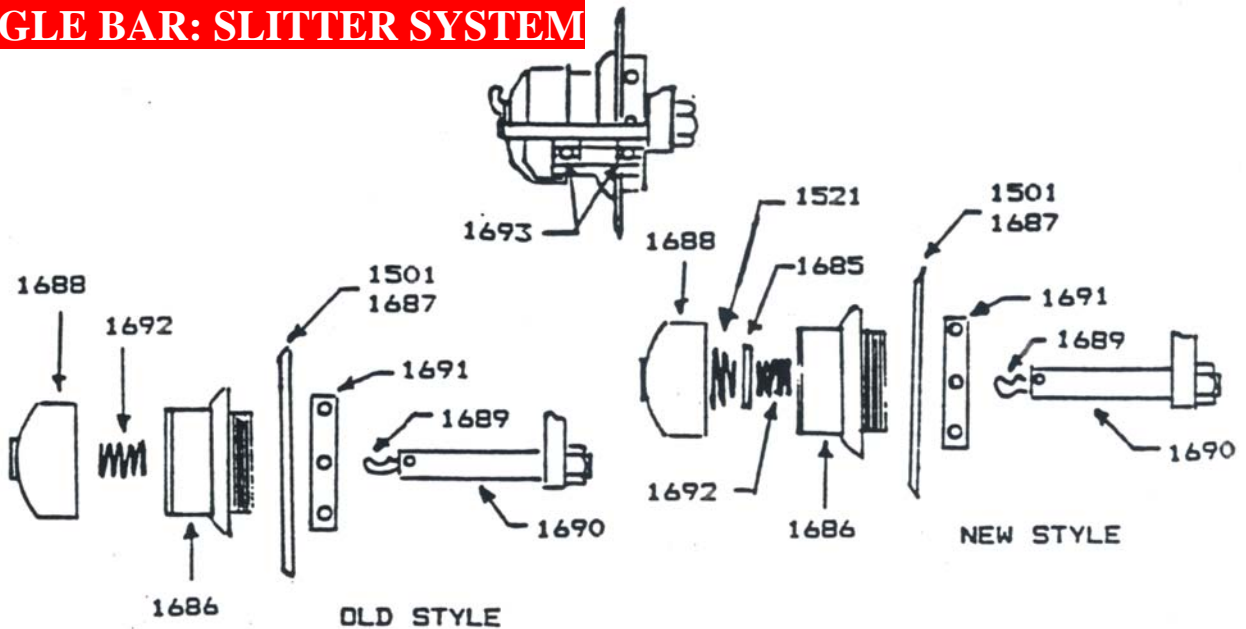
**ANGLE BAR: DRIVE**



**DRIVE ASSEMBLY • COSMO & REGENT**

STOCK NO.	DESCRIPTION	GOSS PART NO.
1697	Bearing	722605-0567
1927	Nut & Bolt Assy. – Coupling	
1928	Shim Set – Coupling	
1930	Take-up Lever	B-143444-0001
1931	Bearing	722605-2411
1932	Bearing	C-040106-5207
1933	Bearing	722605-0253
1934	Bearing	722605-2706
1935	Retainer Ring	885470-0568
1936	Retainer Ring	885470-0183
1937	Retainer Ring	885470-1215
1938	Air Vent	922500-0003
1939	Timing Belt	723675-0506
1940	Timing Belt	723675-0327
4723	Fastener	760668-3109

**ANGLE BAR: SLITTER SYSTEM**



**KOEGEL SLITTER ASSEMBLY**

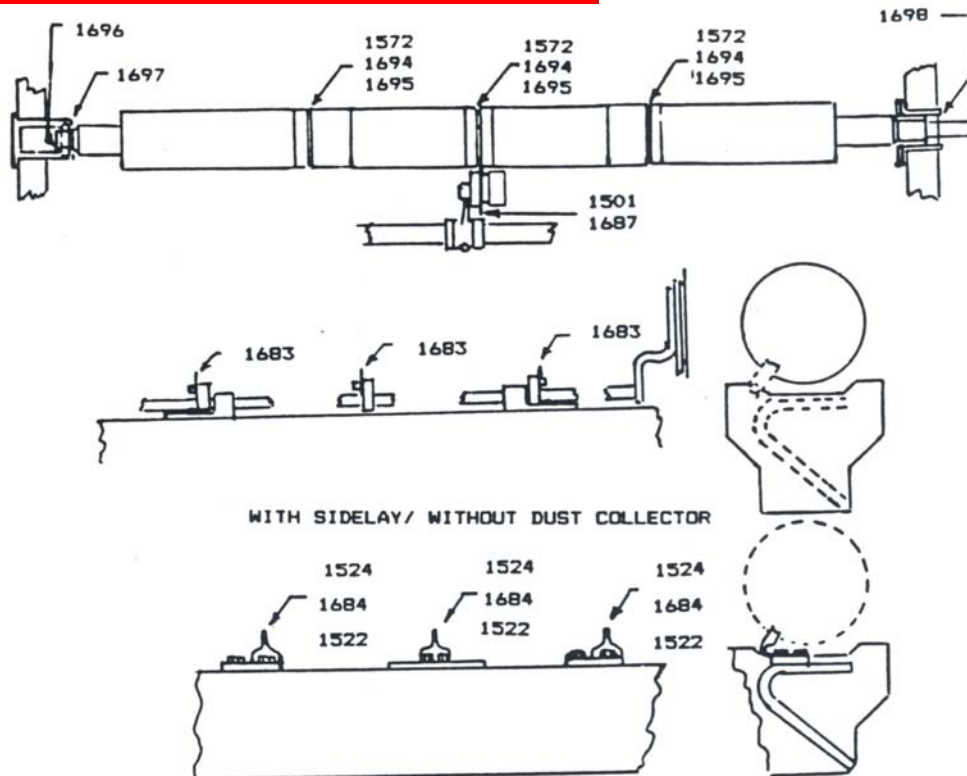
STOCK NO.	DESCRIPTION	GOSS PART NO.
1500	Slitter Assy. N/S	895200-0001
1501	Slitter – 5” OD	814008-0050
1501-00T	Slitter – 5” OD (Tin Coated)	
1521	Conical Spring	
1685	Pre-Load Spring Nut	
1686	Bearing Hub	
1686	Plate	
1686-003	Screws (4 Per)	
1687	Slitter – 6” OD	814008-0060
1688	Guard Shell	
1689	Retainer Lever	
1690	Slitter Shaft	
1691	Locking Collar	
1692	Pre-Load Spring	
1693	Bearing	
1693-1	Bearing Bushing	
1955	Slitter Guard	
1696	Retaining Ring	

**\*\* SPECIFY OLD OR NEW STYLE**

[www.a-americanpressparts.com](http://www.a-americanpressparts.com)

Check our website for updates!

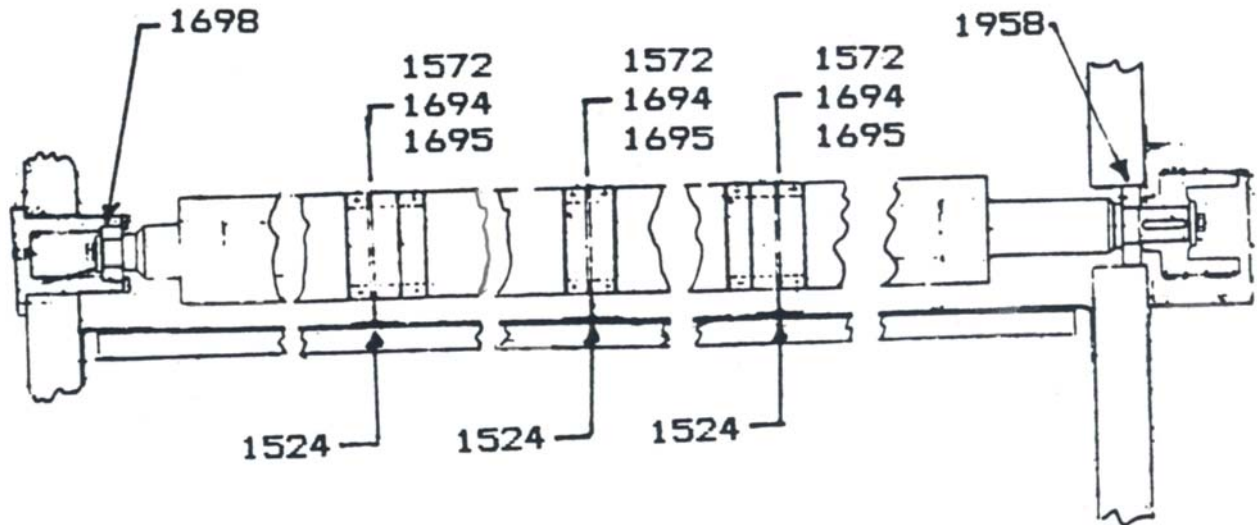
**ANGLE BAR: SLITTER SYSTEM**



**STATIONARY SLITTER ROLLER & SLITTER SCRAPER • WALK-IN TYPE**

STOCK NO.	DESCRIPTION	GOSS PART NO.
1501 ^	Slitter	814008-0050
1501-00T	Slitter (Tin Coated)	
1522	Slitter Scraper	AR-06845-0001
1524	Slitter Scraper	B-140448-0001
1572	Slitter Anvil	B-124827-0001
1683	Slitter Scraper	B-132421-0001
1684	Slitter Scraper	B-132419-0001
1687 ~	Slitter	814008-0060
1694 *	Slitter Anvil	B-123179-0001
1695 +	Slitter Anvil	B-133954-0001
1696	Retainer Ring	885470-1156
1697	Bearing	722605-0567
1698	Bearing	C-040108-5208
2624	Slitter Lever	27828-1
*14-1/2" TO 15" Press	^13-11/16" to 14-1/2" Press	
+13-11/16" Press	~15" Press	

**ANGLE BAR: SLITTER SYSTEM**



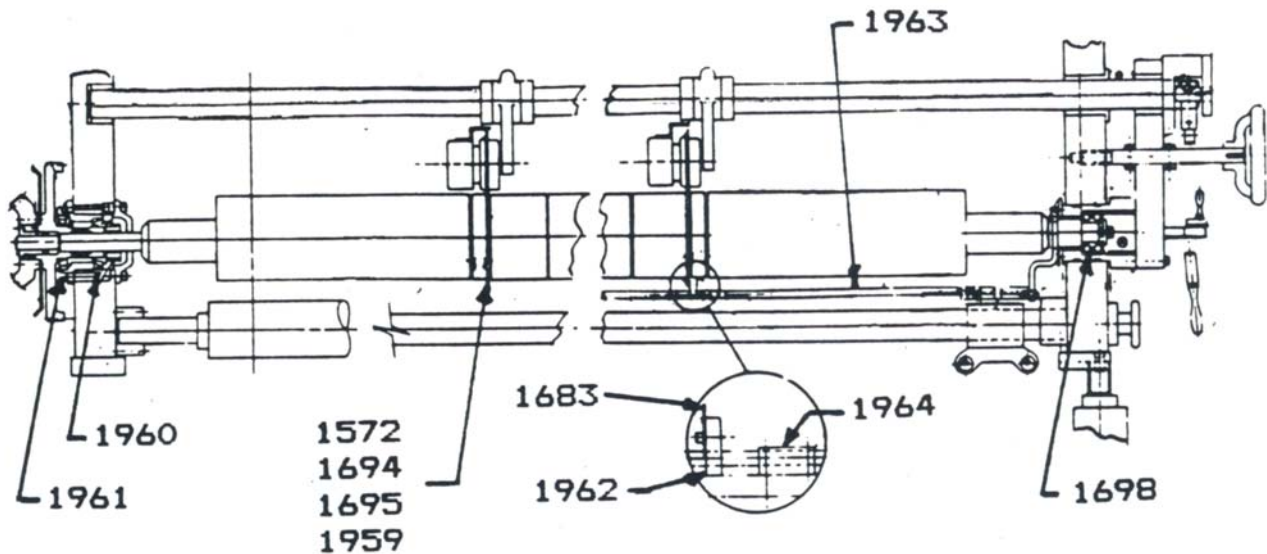
**STATIONARY SLITTER ROLLER • COSMO & REGENT**

STOCK NO.	DESCRIPTION	GOSS PART NO.
1524	Slitter Scraper	B-140448-0001
1572	Slitter Anvil	B-124827-0001
1694	Slitter Anvil	B-123179-0001
1695	Slitter Anvil	B-133954-0001
1698	Bearing	C-040108-5208
1958	Bearing	722605-0291

[www.a-americanpressparts.com](http://www.a-americanpressparts.com)

Check our website for updates!

**ANGLE BAR: SLITTER SYSTEM**

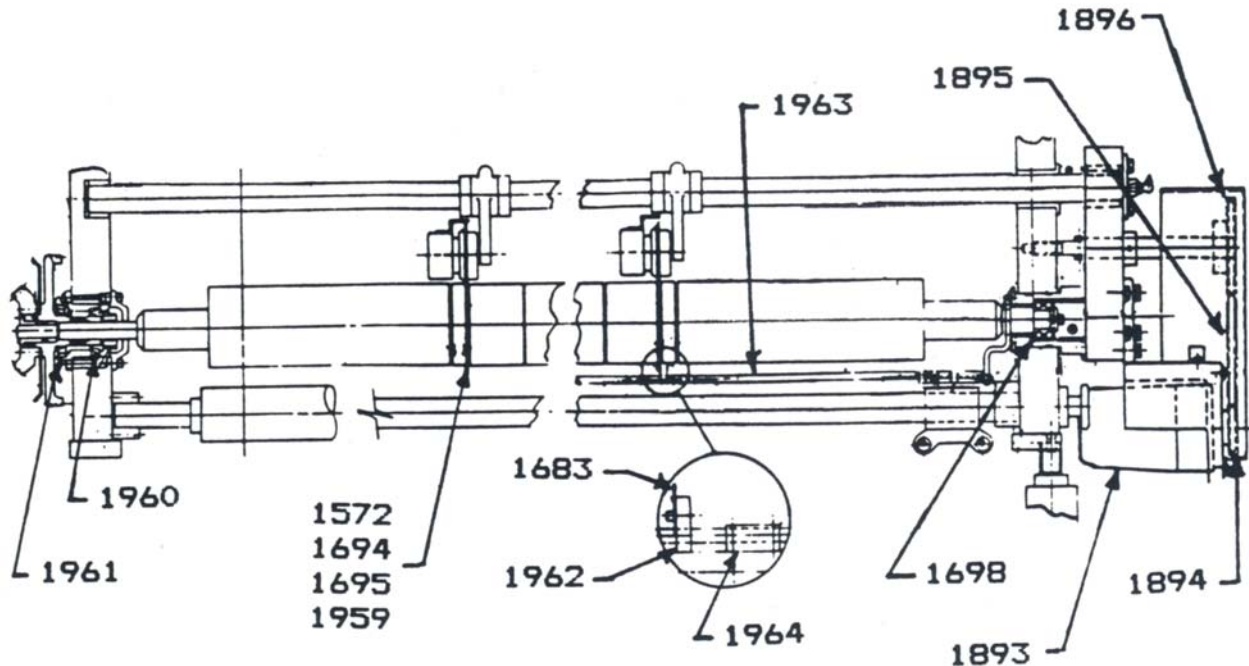


**SLITTER ROLLER • MANUAL SIDELAY**

STOCK NO.	DESCRIPTION	GOSS PART NO.
1572	Slitter Anvil	B-124827-0001
1683	Slitter Scraper	B-132424-0001
1694	Slitter Anvil	B-123179-0001
1695	Slitter Anvil	B-133954-0001
1698	Bearing	C-040108-5208
1959	Slitter Anvil	
1960	Bearing	722673-1054
1961	Bearing	722673-1654
1962	Scraper Mounting Block	B-132424-0001
1963	Slitter Mounting Rod	B-142678-0001
1964	Rod Support Block	B-142679-0001



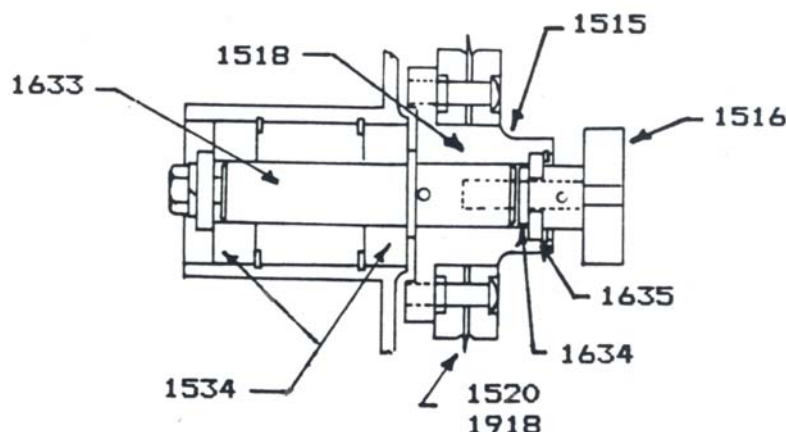
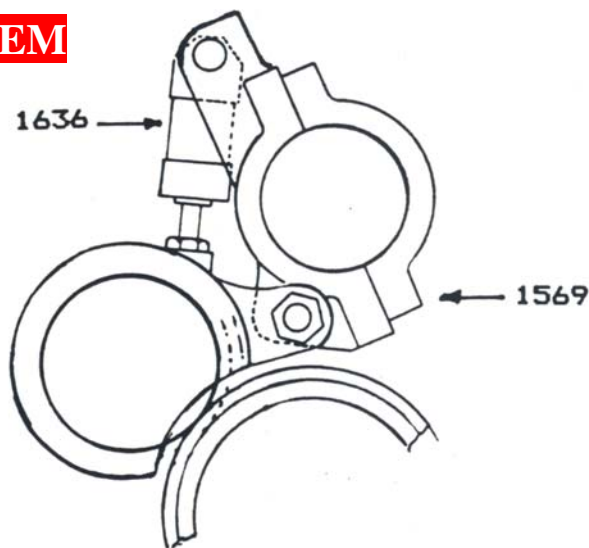
**ANGLE BAR: SLITTER SYSTEM**



**SLITTER ROLLER • MOTORIZED SIDELAY**

STOCK NO.	DESCRIPTION	GOSS PART NO.
1572	Slitter Anvil	B-124827-0001
1683	Slitter Scraper	B-132424-0001
1694	Slitter Anvil	B-123179-0001
1695	Slitter Anvil	B-133954-0001
1698	Bearing	C-040108-5208
1893	Motor	C-092252-0006
1894	Motor Sprocket	B-142703-0001
1895	Drive Chain	732404-1060
1896	Sprocket	C-040144-2504
1959	Slitter Anvil	
1960	Bearing	722673-1054
1961	Bearing	722673-1654
1962	Scraper Mounting Block	B-132424-0001
1963	Slitter Mounting Rod	B-142678-0001
1964	Rod Support Block	B-142679-0001

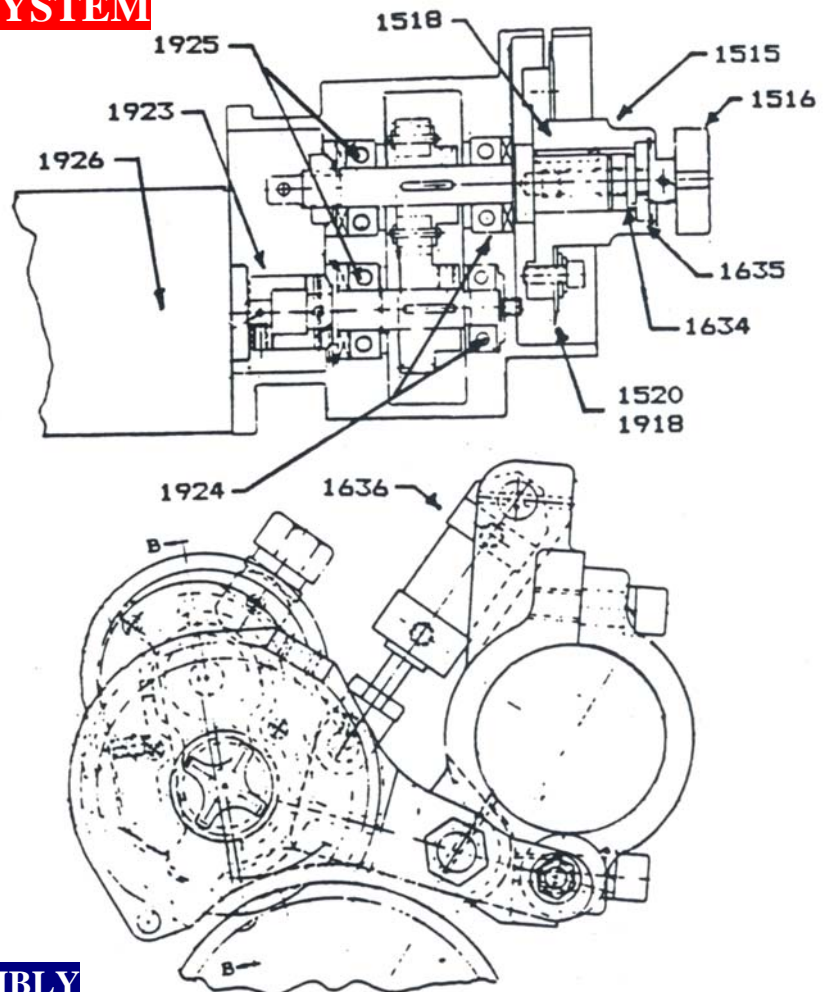
**ANGLE BAR: SLITTER SYSTEM**



**FRICITION SLITTER ASSEMBLY • ROLLER FRONT OF BARS**

STOCK NO.	DESCRIPTION	GOSS PART NO.
1515	Hub Assembly	
1516	Knob	B-150234-0001
1518	Hub	C-102256-0001
1520	Slitter – 4.125 OD	B-149437-0001
1520-00T	Slitter – 4.125 OD (Tin Coated)	
1520-DBT	Slitter – 4.125 OD (Double Beveled, Tin Coated)	
1534	Bearing	C-040104-6204
1569	Complete Assembly	E-007010-0000
1633	Shaft	B-149511-0001
1634	Knob Shaft	B-149513-0001
1635	Washer	B-149512-0001
1636	Air Cylinder	739902-0132
1918	Slitter – 4.375 OD	B-149438-0001

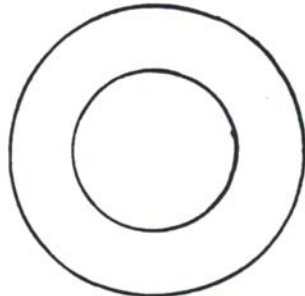
**ANGLE BAR: SLITTER SYSTEM**



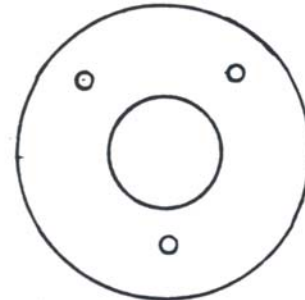
**MOTORIZED SLITTER ASSEMBLY**

<b>STOCK NO.</b>	<b>DESCRIPTION</b>	<b>GOSS PART NO.</b>
1515	Hub Assembly	
1516	Knob	B-150234-0001
1518	Hub	C-102256-0001
1520	Slitter – 4.125 OD	B-149437-0001
1520-00T	Slitter – 4.125 OD (Tin Coated)	
1520-DBT	Slitter – 4.125 OD (Double Beveled, Tin Coated)	
1634	Knob Shaft	B-149513-0001
1635	Washer	B-149512-0001
1636	Air Cylinder	739902-0132
1918	Slitter – 4.375 OD	B-149438-0001
1923	Coupling	737832-0008
1924	Bearing	C-040104-6201
1925	Bearing	C-040104-6202
1926	Motor	C-105158-0001

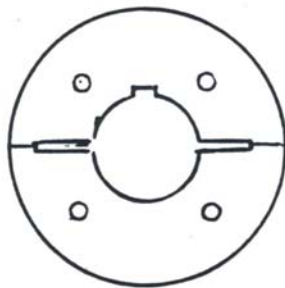
**ANGLE BAR: SLITTER SYSTEM**



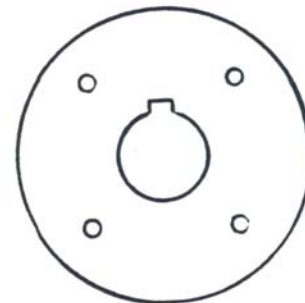
1501 - 1687



1520 - 1918





1541



1547

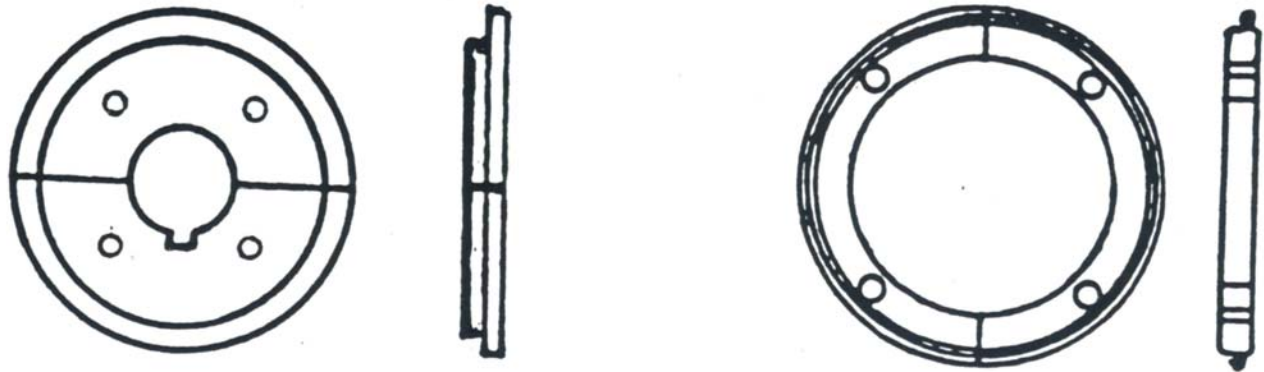
**SLITTER • WALK-IN TYPER**

STOCK NO.	DESCRIPTION	GOSS PART NO.
1501 *	Slitter – 5” OD	814008-0050
1501-00T	Slitter – 5” OD (Tin Coated)	
1520	Friction & Motor Driven Slitter	B-149437-0001
1520-00T	Slitter – 4.125 OD (Tin Coated)  	
1520-DBT	Slitter – 4.125 OD (Double Beveled, Tin Coated)	
1541	Gear Driven Slitter	B-051916-0001
1547	Gear Driven Slitter	B-051916-0001
1566	Gear Driven Slitter	B-028139-0001
1687 +	Slitter – 6” OD	814008-0060
1918	Friction & Motor Driven Slitter	B-149438-0001

\* 13-11/16” TO 14-1/2” Press

+ 15” Press

**ANGLE BAR: SLITTER SYSTEM**



**SLITTER KNIFE OR ANVIL**

STOCK NO.	DESCRIPTION	GOSS PART NO.
1694	Slitter Anvil	B-123179-0001
1695	Slitter Anvil	B-133954-0001
1572	Slitter Anvil	B-124827-0001
1959 *	Slitter Anvil	
1965	Slitter Anvil	B-124827-0002
1966	Slitter Anvil Spacer	B-070217-0001
1967	Slitter Anvil Spacer	B-124831-0001

\* Slitter Roller – Regent Folder & H/O Angle Bar

**ANGLE BAR: SLITTER SYSTEM**



1522



1524



1684



1548



1513

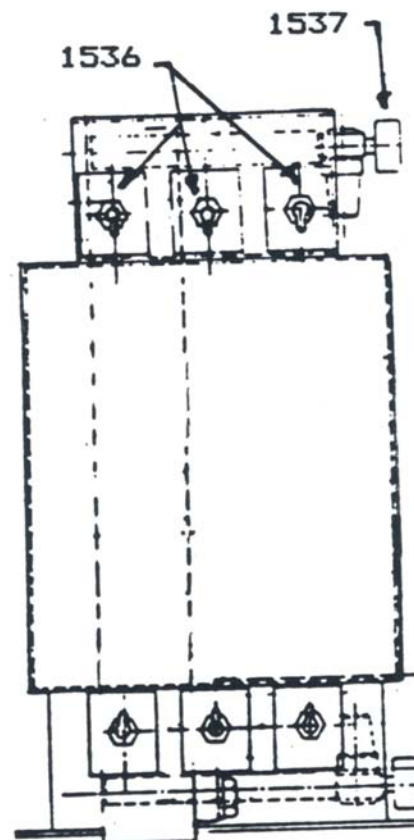
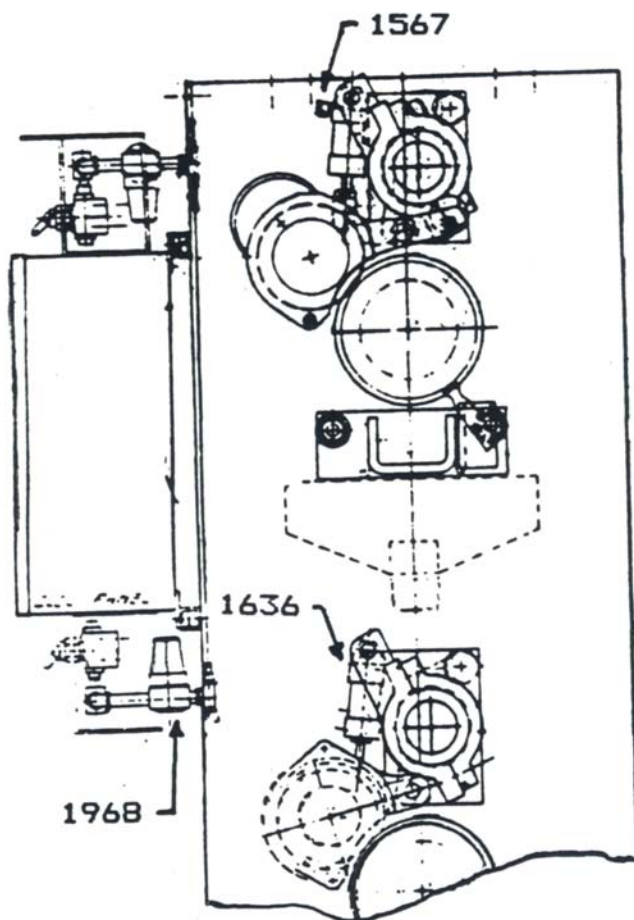


1683

**SLITTER SCRAPERS**

STOCK NO.	DESCRIPTION	GOSS PART NO.
1513	Slitter Scraper	A-008158-0001
1522	Slitter Scraper	AR-06845-0001
1524	Slitter Scraper	B-140448-0001
1548	Slitter Scraper	B-143626-0001
1683	Slitter Scraper	B-132421-0001
1684	Slitter Scraper	B-132419-0001
1969	Slitter Scraper	

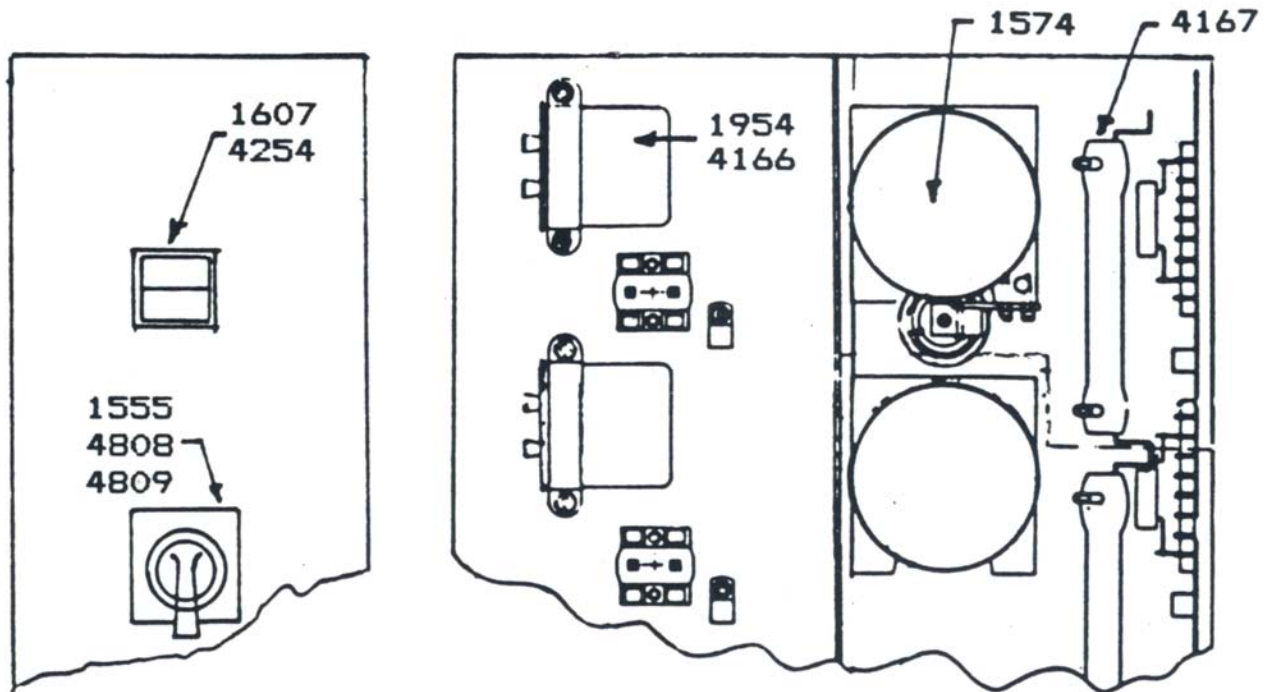
**ANGLE BAR: PNEUMATIC SYSTEM**



**FRICITION & MOTORIZED SLITTER ASSEMBLY**

STOCK NO.	DESCRIPTION	GOSS PART NO.
1536	Air Switch	771529-0311
1537	Air Pressure Gage	899700-8114
1567	Flow Control Valve	920520-0030
1636	Air Cylinder	739902-0132
1968	Air Regulator	882700-2024

**ANGLE BAR: ELECTRICAL SYSTEM**

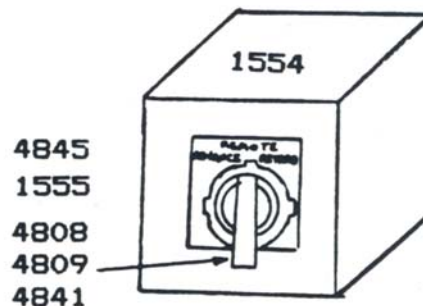
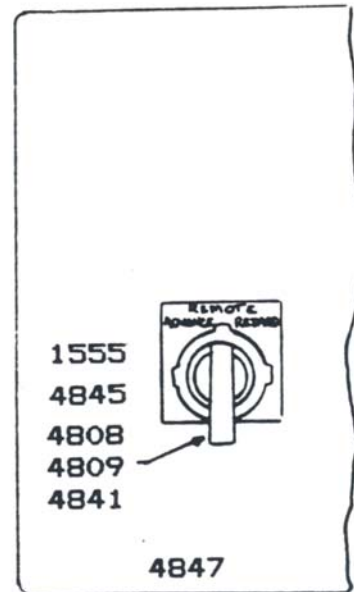
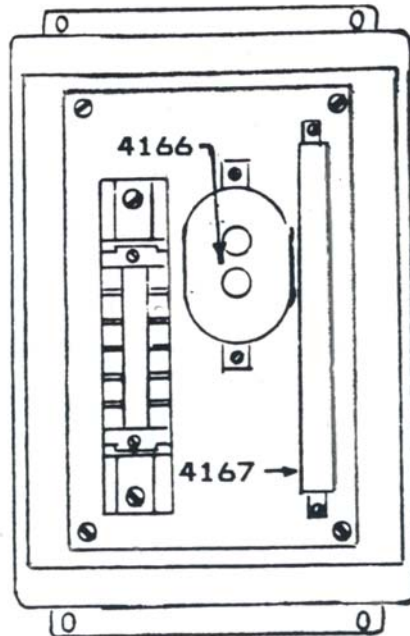


**COMPENSATOR • OPERATOR SIDE**

STOCK NO.	DESCRIPTION	GOSS PART NO.
1555	Switch – Operator	C-080225-0002
1574	Motor	C-093738-0001
1607	Push Button	ER-021989-0036
1954	Capacitor	731160-6170
4166	Capacitor	731160-6125
4167	Resistor	D-017812-0281
4254	Contact Block	ER-021989-0029
4808	Contact Block	C-080226-0005
4809	Contact Block	C-080226-0001



**ANGLE BAR: ELECTRICAL SYSTEM**



**REMOTE COMPENSATOR CONTROL BOX • 1 WAY**

STOCK NO.	DESCRIPTION	GOSS PART NO.
1554	Remote Control Box	
1555	Selector Switch	C-080225-0001
4166	Capacitor	731160-6125
4167	Resistor	D-017812-0281
4808	Contact Block	C-080226-0005
4809	Contact Block	C-080226-0001
4841	Selector & Actuator	
4845	Actuator	
4847	Remote Comp. Control Box (1 way)	D-032869-0001