



GOSS METRO

SEE THE LIGHT

For PRESSROOM SAVINGS



888-434-0888
Toll Free

**Stocking Manufacturer of
Quality Replacement Parts**

(815) 965-0884 Fax (815)965-1049



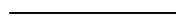
Welcome to the Quality and Service of A-American Press Parts Division. This Catalog is offered to our customers as an easy reference which will assist you in ordering your replacement parts. For your convenience it has been assembled in an ADOBE ACROBAT .PDF format. This is not a complete listing of all parts that are available, as many parts have varying detail numbers based on the type of equipment you have, the age of your equipment and the Model Revision of your equipment. If you do not find precisely what you are looking for please contact us and make use of our service department's combined 70 years of experience with Goss Equipment.

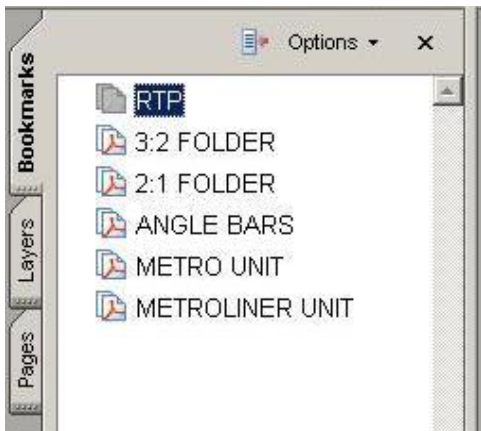
We are committed to offering our customers replacement parts of the highest quality and all parts are manufactured to meet or exceed O.E.M. specifications. If for any reason you are not completely satisfied with any product purchased you may return it for replacement, refund or credit.

MISSION STATEMENT

**To offer the Newspaper industry
excellent service and delivery
of the highest quality replacement components
for printing presses and their related equipment.**

Bookmarks!

For your convenience we have added **bookmarks** to make it easier to navigate through these catalogs. If you look to the left side of the Adobe Acrobat Reader Window you will see this button:  Click this button to open the bookmarks window.

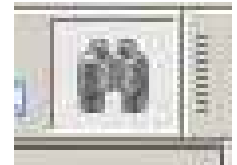


With this window open you may now click to go to any catalog you wish at any time. On each catalogs Table of Contents you will find page numbers that you can click on to be taken to any given page.

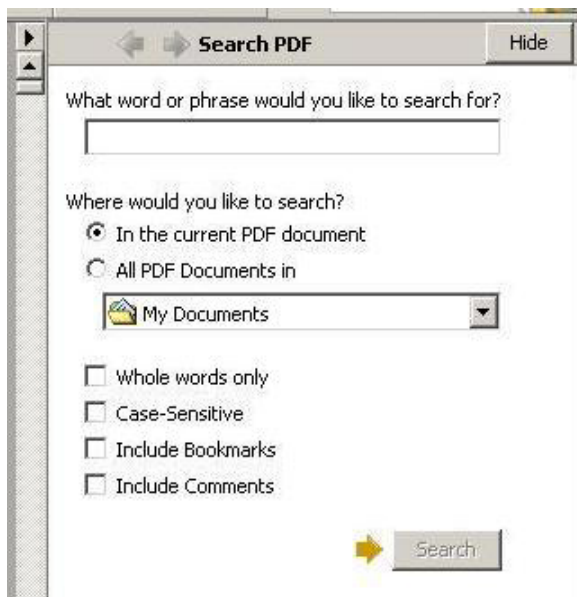
New Feature!

SEARCHABILITY

Using the Adobe Acrobat Reader we have added the ability to do searches within the parts catalog. You may search based upon the part description, the O.E.M part #, or the A-American part #. If you look to the top menu bars of the Adobe Acrobat Reader Window you will see this button:



Click this button to open the search window.



With this window open you may now search all the catalogs simultaneously. You will see every instance that your search query appears within the catalogs.

**** See our Search Tips on the next page****

Search Tips!

Once you have the search window open you can now begin searching based on part description, O.E.M. part #, or A-American part #.

Part Description

Be as general as you possibly can. If you do not find what you are looking for try other general terms. For example if you do not find Knife Box Cushions, try using Cushions or try using Cheekwoods.

O.E.M. Part #

Goss has used letters and dashes at the beginning of many part numbers to signify the size drawing that a part comes from. You may find it easier to just search using the six digit portion of the part number. Additionally Goss has used many detail numbers (-xxxx the last four digits) to signify various differences between parts and models and revisions. Again, you may find it easier to just search using the six digit portion of the part number.

A-American Part #

A-American has included detail numbers also (-xxx the last three digits) to signify various differences between parts, models revisions, upgrades and improvements. You may find it easier to search using just the four digit part number. For example 1523-000 or 1523-00T you may find it easier to search using the 1523.



1-888-434-0888
TOLL FREE

GOSS METRO UNIT

Table of Contents

Title:	Page
AIR SYSTEM	
Main Air Line & Unit Air Line • Metro & Metro-Liner	4
Pneumatic Switches & Indicators - Op. Side • Metro	5
Ink Tank Compartment • Under Shot Fountain • Metro	6
10 & 13 Side Legs - Operator Side • Metro	7
Anti-Setoff Pneumatic System	8
Cannister Air Hose Assembly	9
Cannister Air Hose Fittings	9
Poly-Flow Fittings	10
Legris Fittings	11
Hi-Duty Fittings	12
Notes	13
CYLINDERS	
Blanket Cylinder Assembly #11 - 12 & # 1700 - 1800 Cylinder W/O Silencing	14
Blanket Cylinder Lock-up	15
Blanket Cylinder Linkage • Black & Process	16
Common Impression Cylinders • Metro	17
Common Cylinder Assembly	18
Plate Cylinder Assy W/ Circumferential & Sidelay 10 - 13, & 1701 - 1801	19
Plate Cylinder Lockup Assembly • Metro	20
Plate Lock-up Assembly • Metro & Metro-Liner	21
Manual Circum - Register & Sidelay - Metro	22
Vibrated Ink Drum	23
Water Drum Vibrator	24
Notes	25
DAMPENER SYSTEMS	
Arch Dampener Drive & Brush Assembly	26
Arch Dampener Flicker Shaft Assembly	27
Arch Dampener Flicker Assembly	28
Pus-Pull Cables & Parts	29
Arch Dampener Water System	30
Brush Dampener	31
Notes	32
Anti-Setoff Brush Dampener	33
Anti-Setoff Brush Dampener	34
Ink Train Dampener Water System	35
Ink Train Dampener Flicker Blade Assembly	36

www.a-americanpressparts.com

Check our website for updates!



1-888-434-0888
TOLL FREE

Spiral Brush Water System	37
Water Stop Assembly	38
Baldwin Auto-Mix 221 & Baldwin Circulator 640	39

DRIVE SYSTEM

Main Drive Motors • General Electric	40
Main Drive Box • Metro	41
Main Drive Clutch • Metro	42
Vertical Drive • Reverse & Non-Reverse	43
Vertical & Horizontal Drive • 13 Side Deck	44
Vertical & Horizontal Drive • 10	45
Vertical Drive Shaft Shifter • Metro & Metro-Liner	46
Ink Vibrator • Metro	47

INK SYSTEM

Main Ink Line Filters & Pneumatic System	48
Main Ink Line Piping • Metro & Metro-Liner	49
Main Ink Line & Cannister Ink Line Fittings	50
Pac To Rail Ink Hose Fittings	51
Pac & Ink Rail Hose Fittings	52
Ink Cannister • Old Style	53
Ink Cannister Assembly • New Style	54
Cannister To Pac Ink Hose Assembly	55
Ink Pac Drive • Mark V, Metro & Metro-Liner	56
Colortrol Drive • Manual & Motorized Metro	57
Ink Pac Drive & Purge System	58
Half-Deck Ink Injector Drive • Metro	59
Ink Pac Drive Box • Old Style	60
Ink Pac Drive Box • New Style	61
Manual Ink Rail • Metro	62
Double Stroke Ink Injector Page Pac Assembly	63
Double Stroke Ink Injector Page Pac Assembly	64
Single Stroke Ink Injector Page Pac Assembly	65
Single Stroke Ink Injector Page Pac Assembly	66
Under Shot Fountain & Pick-up Roller Assembly	67

GUARDS

Drive Side	68
Plate Cylinder Guard Assembly	69
Finger Guard & Bearer Wiper Assembly	70

INFEED SYSTEM

Infeed Linkage • Metro	71
Infeed Drive Assembly • Metro	72

www.a-americanpressparts.com

Check our website for updates!



1-888-434-0888
TOLL FREE

LUBRICATION SYSTEM

Main Drive Box With Electric Pump • Metro	73
Main Drive Box with Gear Driven Pump • Metro	74
Grease Hose Assembly & Fittings	75
Hi-Duty Fittings	76
Notes	77

SOCKETS

Ink Transfer Roller Socket • Metro	78
Dampener Form Roller • Metro	79
Ink Form Roller • Metro	80
Shaftless Ink Form Roller Socket • Metro Half-Deck	81

TOOLS & ACCESSORIES

Tools	82
Gregg Plate Bender	83

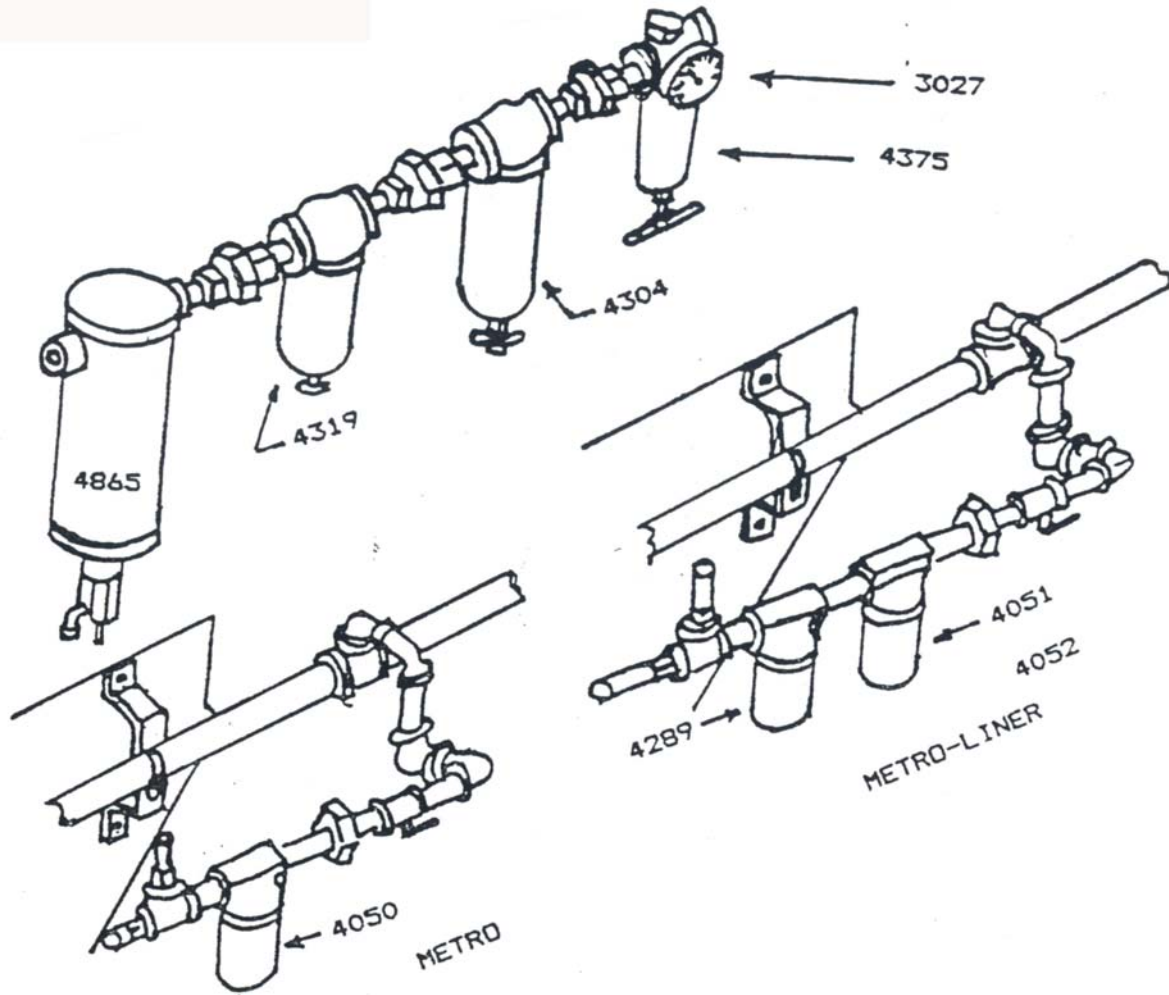
WASH-UP DEVICES

Top of Under Shot Fountain	84
Manual Type • Metro	85
Pneumatic Type • Metro	86

ELECTRICAL SYSTEM

Electrical Safety System • Metro	87
Remote Compensator Control Box • 1 Way	88
Web Break Detectors	89
Trolley Assembly	90
Notes	91

UNIT & HALF-DECK: AIR SYSTEM

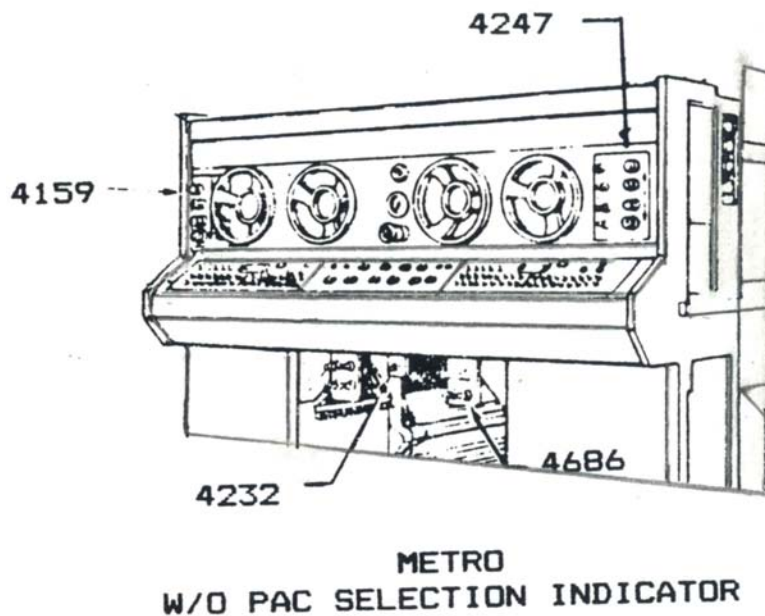
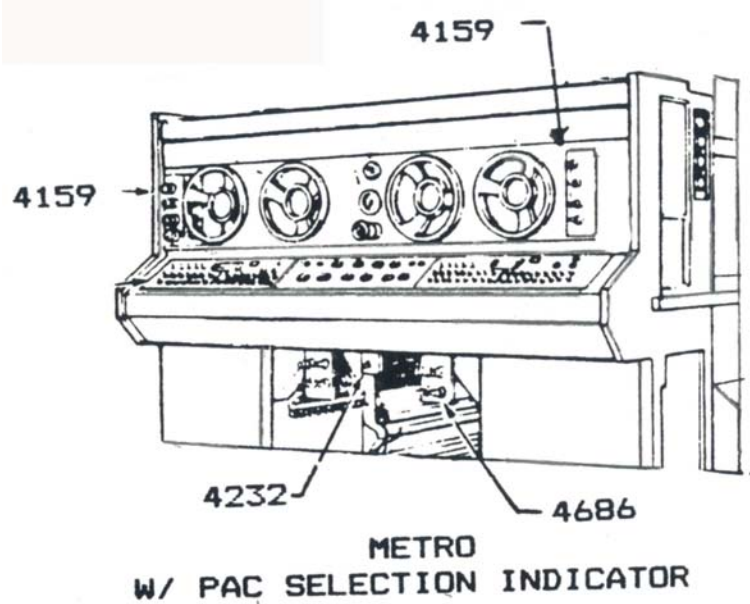


MAIN AIR LINE & UNIT AIR LINE • METRO & METRO-LINER

STOCK NO.	DESCRIPTION	GOSS PART NO.
3027	Air Gage (0-160 lbs.)	771500-0053
4050	Air Lubricator	827900-0036
4051	Air Filter	762901-0101
4052	Filter Element	
4289	Air Lubricator	827900-0036
4304	Air Filter	
4319 *	Coalescing Air Filter	E-005337-0010
4375	Air Regulator	
7865	Air Regulator	

* LATE MODEL PRESSES ONLY

UNIT & HALF-DECK: AIR SYSTEM



PNEUMATIC SWITCHES & INDICATORS - OP. SIDE • METRO

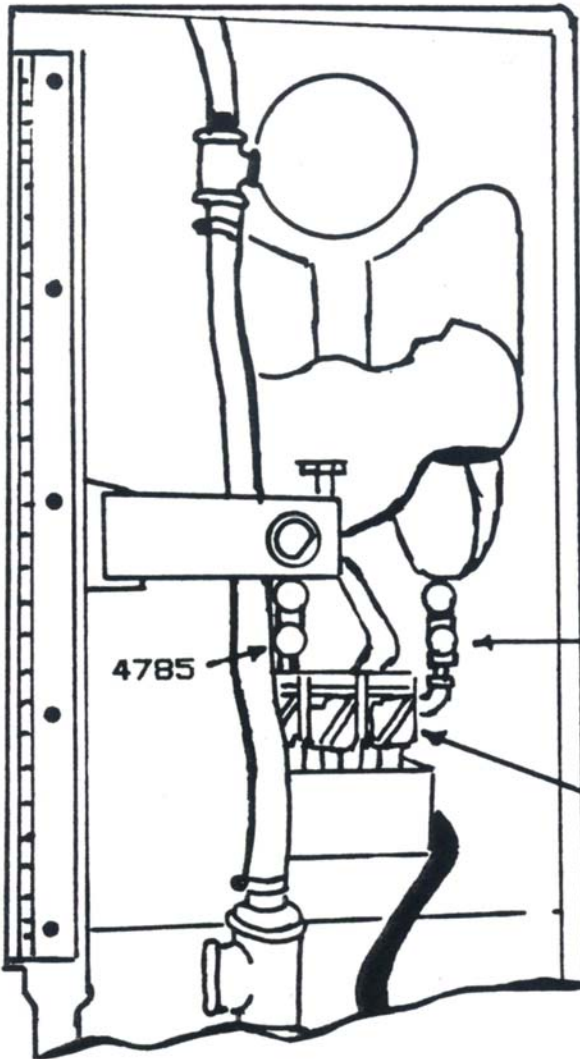
STOCK NO.	DESCRIPTION	GOSS PART NO.
4159	Pac Selection Air Switch	920512-0006
4232	Wash-Up Air Switch	920512-0008
4686	ITD Flicker Blade Switch	
4687	Finger Guard Indicator	792000-0202

www.a-americanpressparts.com

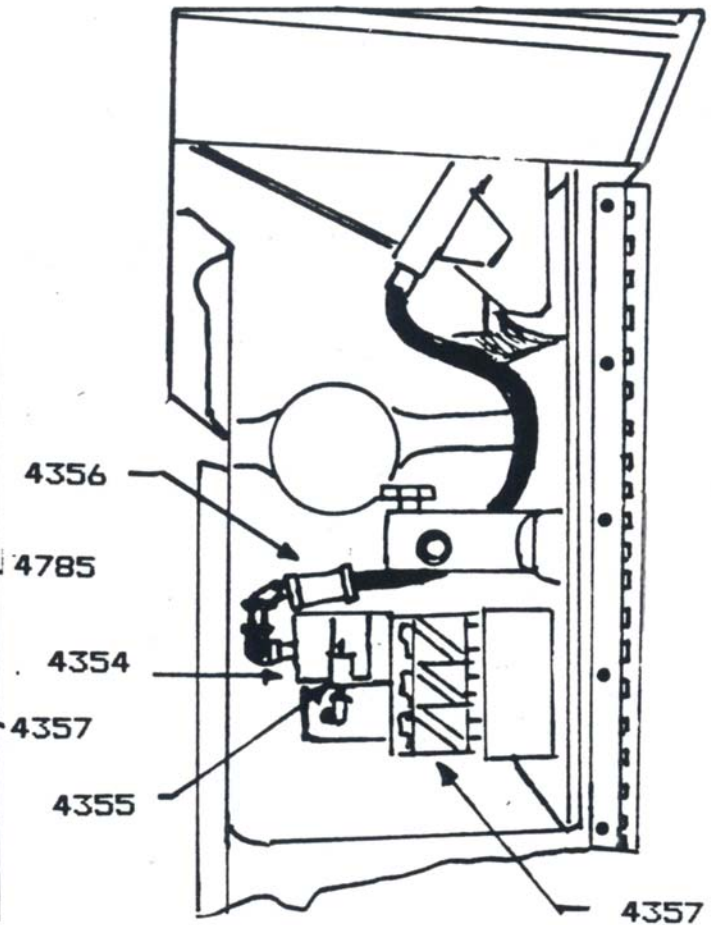
Check our website for updates!

UNIT & HALF-DECK: AIR SYSTEM

10 SIDE



13 SIDE



INK TANK COMPARTMENT • UNDER SHOT FOUNTAIN • METRO

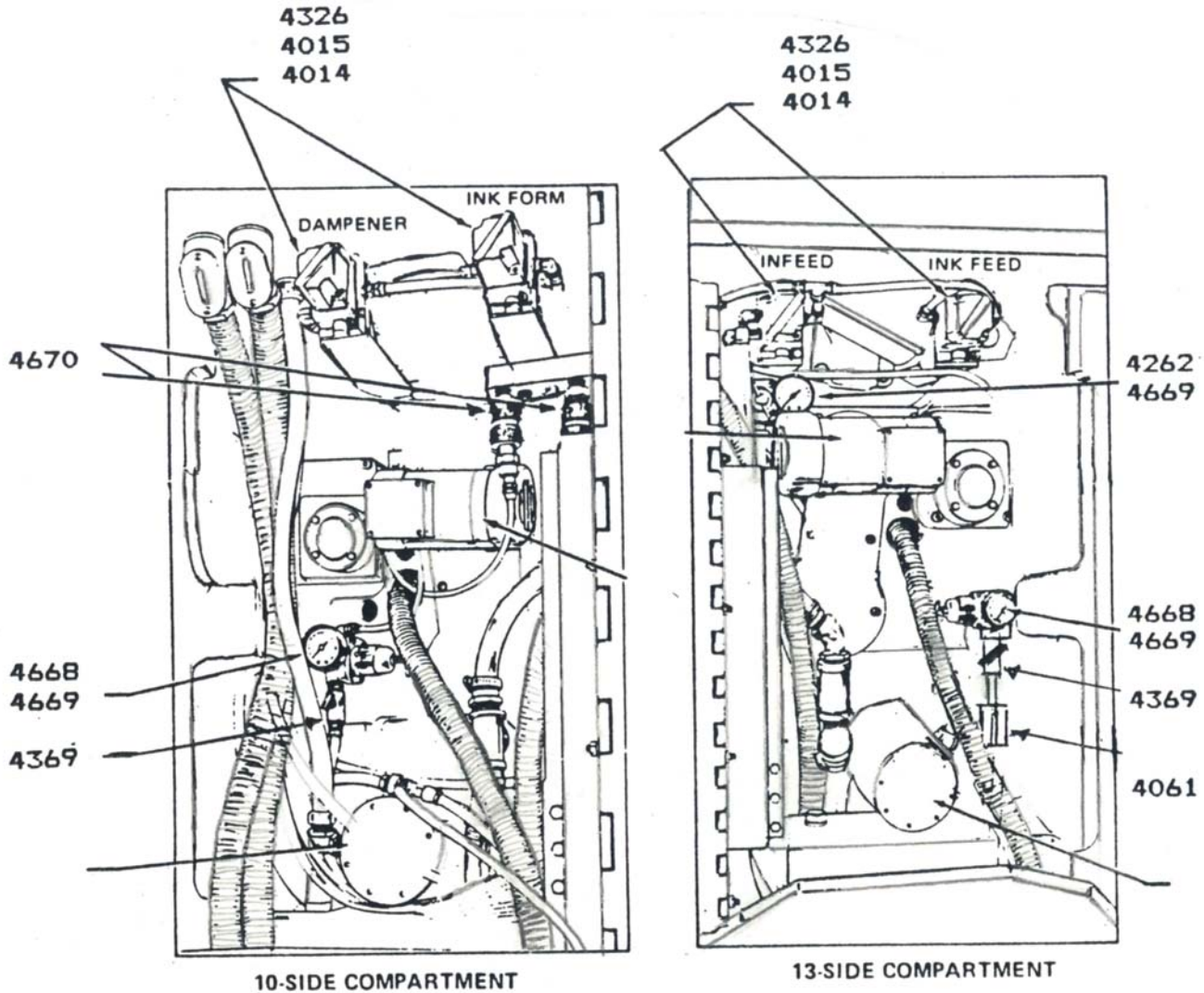
STOCK NO.	DESCRIPTION	GOSS PART NO.
4785 ^	Throw-off Valve	
4785 *	Throw-off Valve	
4354	Valve - Old Style Impression	920502-0048
4355	Air Muffler	837500-0012
4356	Regulator for Impression	920500-0096
4357	Solenoid Valve - Rear Outlet	B-117295-0002

* DAMPENERS FORMS (10-13) ^ INK FORMS (10-13)

www.a-americanpressparts.com

Check our website for updates!

UNIT & HALF-DECK: AIR SYSTEM



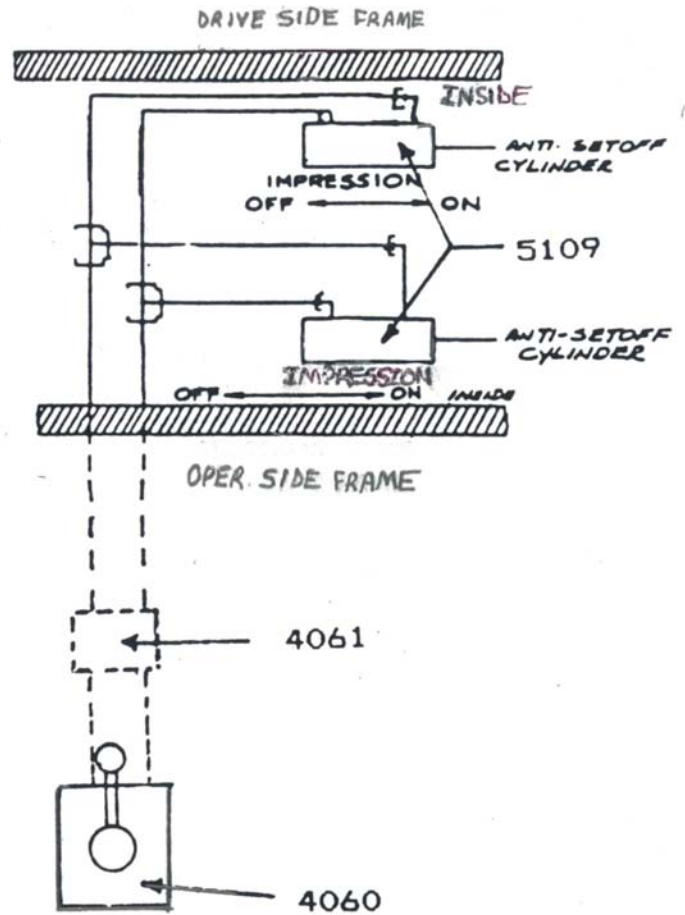
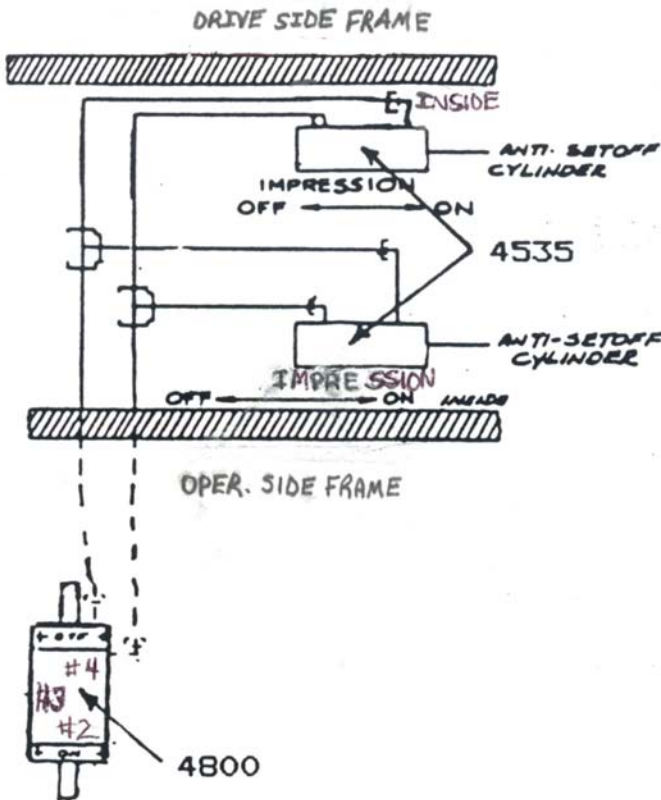
10 & 13 SIDE LEGS - OPERATOR SIDE • METRO

STOCK NO.	DESCRIPTION	GOSS PART NO.
4014	Solenoid with Side Ports	B-117925-0001
4015	Solenoid Repair Kit	
4061	Shuttle Valve	920502-0060
4262	Regulator - Ink Tank Pressure	882704-0010
4326	Solenoid Repair Kit	
4359	Flow Control Valve - Ink Feed	920500-0066
4668	Regulator - Ink Feed Clutch	882704-0011
4669	Gage	771529-0313
4670	Ink Form Shut-off Valve	920502-0035

www.a-americanpressparts.com

Check our website for updates!

UNIT & HALF-DECK: AIR SYSTEM



ANTI-SETOFF PNEUMATIC SYSTEM

STOCK NO.	DESCRIPTION	GOSS PART NO.
4060	Air Switch (Old Style)	920512-0055
4061	Air Shuttle (Old Style)	920502-0060
4535	Air Cylinder (Hi-Lo Cylinder)	116658-0011
4800	Air Switch (New Style)	920502-0074
5109	Air Cylinder (Stationary Cylinder)	116658-0012

www.a-americanpressparts.com

Check our website for updates!

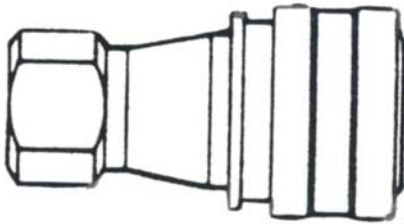
UNIT & HALF-DECK: AIR SYSTEM



CANNISTER AIR HOSE ASSEMBLY

STOCK NO.	DESCRIPTION	GOSS PART NO.
4055	Cannister Air Hose Assy. - 24" lg.	
4056	Cannister Air Hose Assy. - 36" lg.	
4057	Cannister Air Hose Assy. - 48" lg.	
4058	Cannister Air Hose Assy. - 60" lg.	

**** AIR HOSES CAN BE MADE TO CUSTOMER'S SPECIFICATIONS ****



4053











4054

CANNISTER AIR HOSE FITTINGS

STOCK NO.	DESCRIPTION	GOSS PART NO.
4053	Valved Coupling	
4054	Air Feed Valved Nipple	










UNIT & HALF-DECK: AIR SYSTEM

POLY-FLOW FITTINGS

STOCK NO.	DESCRIPTION	GOSS PART NO.
9900	Nut (3/16")	
9901	Nut (1/4")	
9902	Nut (5/16")	
9903	Nut (3/8")	
9904	Nut (1/2")	
9905	Sleeve (3/16")	
9906	Sleeve (1/4")	
9907	Sleeve (5/16")	
9908	Sleeve (3/8")	
9909	Sleeve (1/2")	
9910	Tube Connector (3/16")	
9911	Tube Connector (1/4")	
9912	Tube Connector (5/16")	
9913	Tube Connector (3/8")	
9914	Tube Connector (1/2")	
9915	Male Connector (3/16" x 1/8" MPT)	
9916	Male Connector (1/4" x 1/8" MPT)	
9917	Male Connector (1/4" x 1/4" MPT)	
9918	Male Connector (5/16" x 1/8" MPT)	
9919	Male Connector (3/8" x 1/8" MPT)	
9920	Male Connector (3/8" x 1/4" MPT)	
9921	Male Connector (1/2" x 3/8" MPT)	
9922	Male Elbow (3/16" x 1/8" MPT)	
9923	Male Elbow (1/4" x 1/8" MPT)	
9924	Male Elbow (5/16" x 1/8" MPT)	
9925	Male Elbow (3/8" x 1/8" MPT)	
9926	Male Elbow (3/8" x 1/4" MPT)	
9927	Male Elbow (1/2" x 3/8" MPT)	
9928	Tube Connector Tee (3/16")	
9929	Tube Connector Tee (1/4")	
9930	Tube Connector Tee (5/16")	
9931	Tube Connector Tee (3/8")	
9932	Tube Connector Tee (1/2")	
9933	Male Branch Tee (3/16" x 1/8" MPT)	
9934	Male Branch Tee (1/4" x 1/8" MPT)	
9935	Male Branch Tee (5/16" x 1/8" MPT)	
9936	Male Branch Tee (3/8" x 1/8" MPT)	
9937	Male Branch Tee (3/8" x 1/8" MPT)	
9940	Quick Disconnect (5/16" Tube x 1/8" MPT)	

UNIT & HALF-DECK: AIR SYSTEM

LEGRIS FITTINGS

STOCK NO.	DESCRIPTION	GOSS PART NO.
9700	Union (1/4" Tube) 	
9701	Union Tee (1/4" Tube) 	
9702	Union Elbow (1/4" Tube) 	
9703	Double Male Union (1/4" Tube) 	
9704	Male Connector (1/4" Tube x 1/8" MPT)	
9705	Male Connector (1/4" Tube x 1/4" MPT)	
9706	Bulkhead Union (1/4" Tube) 	
9707	Male Elbow (1/4" Tube x 1/8" MPT)	
9708	Male Elbow (1/4" Tube x 1/4" MPT)	
9709	Male Run Tee (1/4" Tube x 1/8" MPT)	
9710	Male Run Tee (1/4" Tube x 1/4" MPT)	
9711	Male Branch Tee (1/4" Tube x 1/8" MPT)	
9712	Male Branch Tee (1/4" Tube x 1/4" MPT)	

**** ALL SIZES AVAILABLE ****

UNIT & HALF-DECK: AIR SYSTEM

HI-DUTY FITTINGS

STOCK NO.	DESCRIPTION	GOSS PART NO.
9800	Nut (3/16" Tube)	
9801	Nut (1/4" Tube)	
9802	Nut (5/16" Tube)	
9803	Nut (3/8" Tube)	
9804	Nut (1/2" Tube)	
9805	Nut (5/8" Tube)	
9806	Nut (3/4" Tube)	
9807	Union (3/16" Tube)	
9808	Union (1/4" Tube)	
9809	Union (5/16" Tube)	
9810	Union (3/8" Tube)	
9811	Union (1/2" Tube)	
9812	Union (5/8" Tube)	
9813	Union (3/4" Tube)	
9814	Male Connector (3/16" Tube x 1/8" MPT)	
9815	Male Connector (1/4" Tube x 1/8" MPT)	
9816	Male Connector (5/16" Tube x 1/8" MPT)	
9817	Male Connector (3/8" Tube x 1/8" MPT)	
9818	Male Connector (3/8" Tube x 1/4" MPT)	
9819	Male Connector (1/2" Tube x 1/2" MPT)	
9820	Male Connector (5/8" Tube x 1/2" MPT)	
9821	Male Connector (3/4" Tube x 1/2" MPT)	
9822	Male Elbow (3/16" Tube x 1/8" MPT)	
9823	Male Elbow (1/4" Tube x 1/8" MPT)	
9824	Male Elbow (5/16" Tube x 1/8" MPT)	
9825	Male Elbow (3/8" Tube x 1/8" MPT)	
9826	Male Elbow (3/8" Tube x 1/4" MPT)	
9827	Male Elbow (3/8" Tube x 3/8" MPT)	
9828	Male Elbow (1/2" Tube x 1/4" MPT)	
9829	Male Elbow (1/2" Tube x 3/8" MPT)	
9830	Union Tee (3/16" Tube)	
9831	Union Tee (1/4" Tube)	
9832	Union Tee (5/16" Tube)	
9833	Union Tee (3/8" Tube)	
9834	Union Tee (1/2" Tube)	
9835	Union Tee (5/8" Tube)	
9836	Union Tee (3/4" Tube)	
9837	Male Branch Tee (3/16" Tube x 1/8" MPT)	
9838	Male Branch Tee (1/4" Tube x 1/8" MPT)	
9839	Male Branch Tee (5/16" Tube x 1/8" MPT)	
9840	Male Branch Tee (3/8" Tube x 1/8" MPT)	
9841	Male Branch Tee (3/8" Tube x 1/4" MPT)	

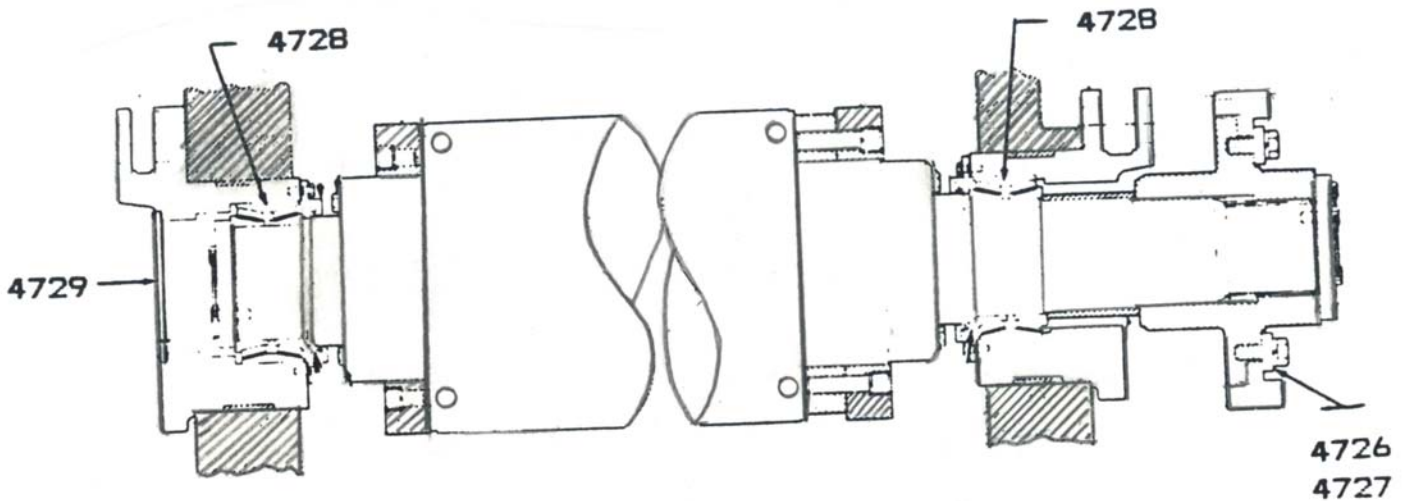




1-888-434-0888
TOLL FREE

UNIT & HALF-DECK: NOTES

UNIT & HALF-DECK: CYLINDERS



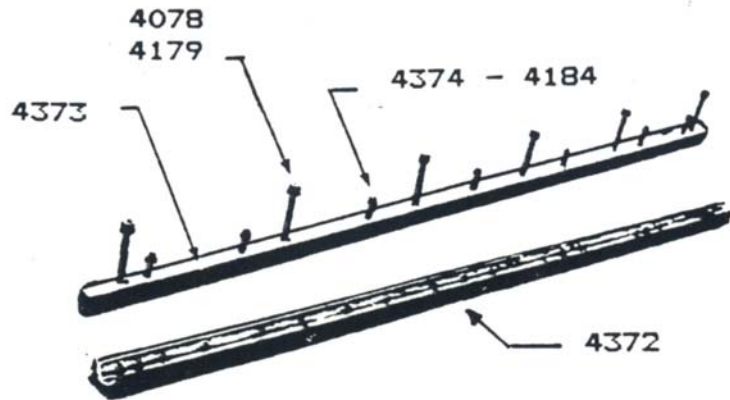
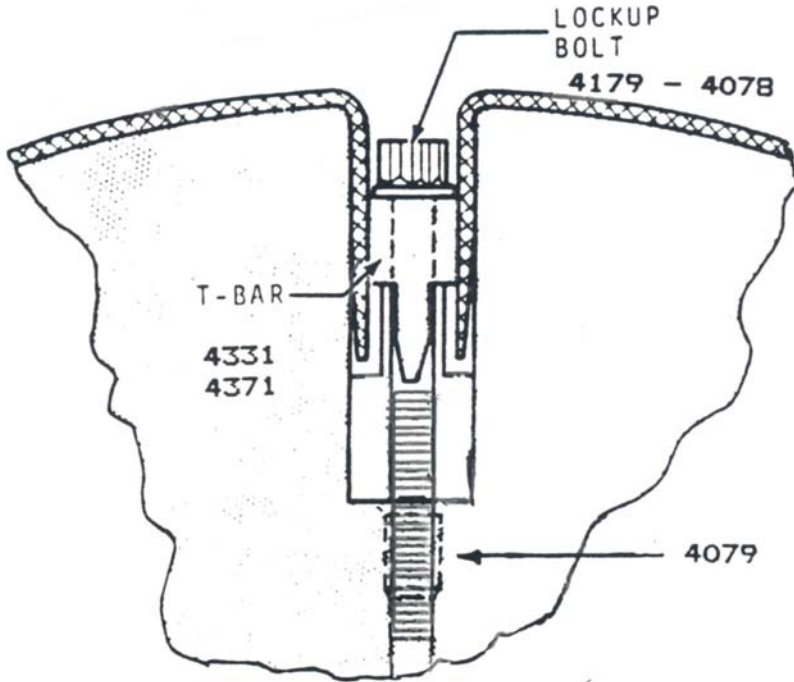
BANKET CYLINDER ASSEMBLY #11 - 12 & # 1700 - 1800 CYLINDER W/O SILENCING

STOCK NO.	DESCRIPTION	GOSS PART NO.
4726	Brass Washer	
4727	Steel Washer	AR-001504-0001
4728	Bearing	722673-1553
4729	Plastic End Cover	

www.a-americanpressparts.com

Check our website for updates!

UNIT & HALF-DECK: CYLINDERS



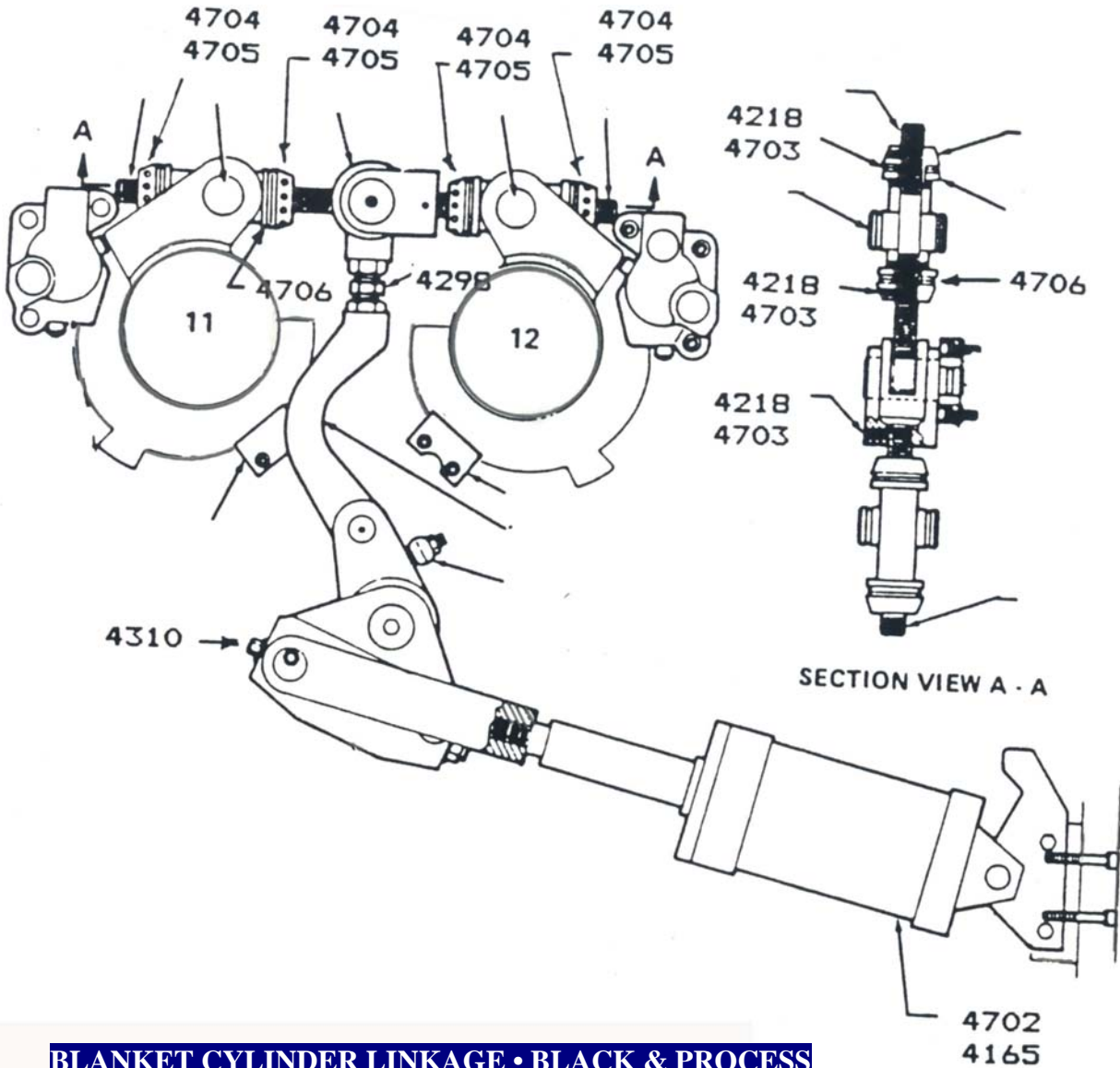
BLANKET CYLINDER LOCK-UP

STOCK NO.	DESCRIPTION	GOSS PART NO.
4078	Blanket Bolt for #4371	
4079	Heli-Coil	794041-2010
4179	Blanket Hod-Down Screw	B-127100-0001
4184	Short Screw - 12 pt. Hd Nylock	
4331	T-Bar - Standard	C-088603-0001
4371	T-Bar - Narrow Gap	
4372	Bar	D-020505-0001
4373	Wedge	D-020504-0001
4374	Short Screw - Hex Hd, Nylock	B-127588-0001

www.a-americanpressparts.com

Check our website for updates!

UNIT & HALF-DECK: CYLINDERS



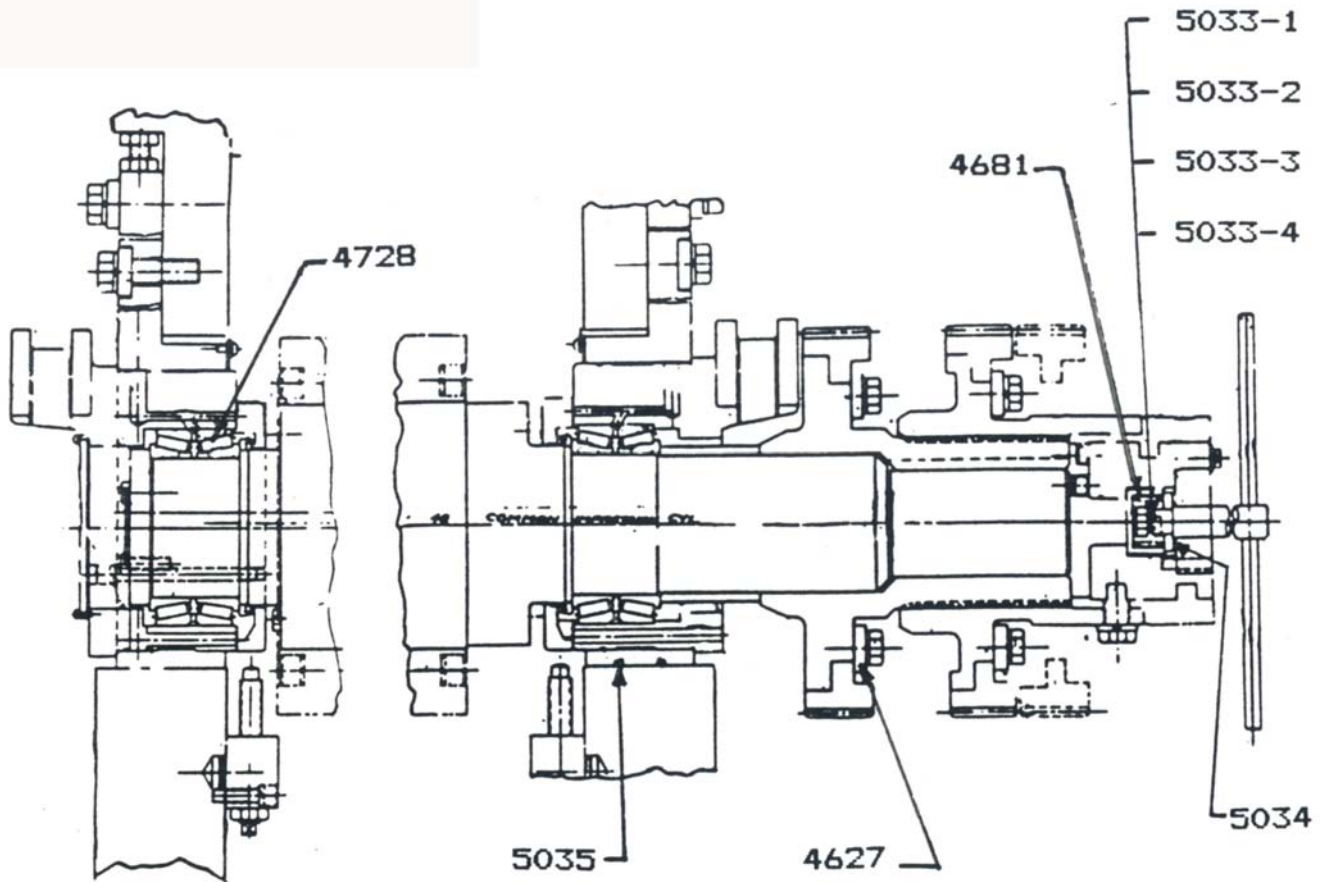
BLANKET CYLINDER LINKAGE • BLACK & PROCESS

STOCK NO.	DESCRIPTION	GOSS PART NO.
4165	Air Cylinder	739902-0016
4218	Set Screw	891214-1921
4298	Turnbuckle	B-128494-0001
4310	Change-over Screw	B-116290-0001
4702	Air Cylinder	739902-0016
4703	Nylon Plug	865500-0335
4704	Nut - 13-11/16" Press	B-145913-0001
4705	Nut -014-1/32 to 15" Press	B-139715-0001
4706	Spring Disc	897015-2700

www.a-americanpressparts.com

Check our website for updates!

UNIT & HALF-DECK: CYLINDERS



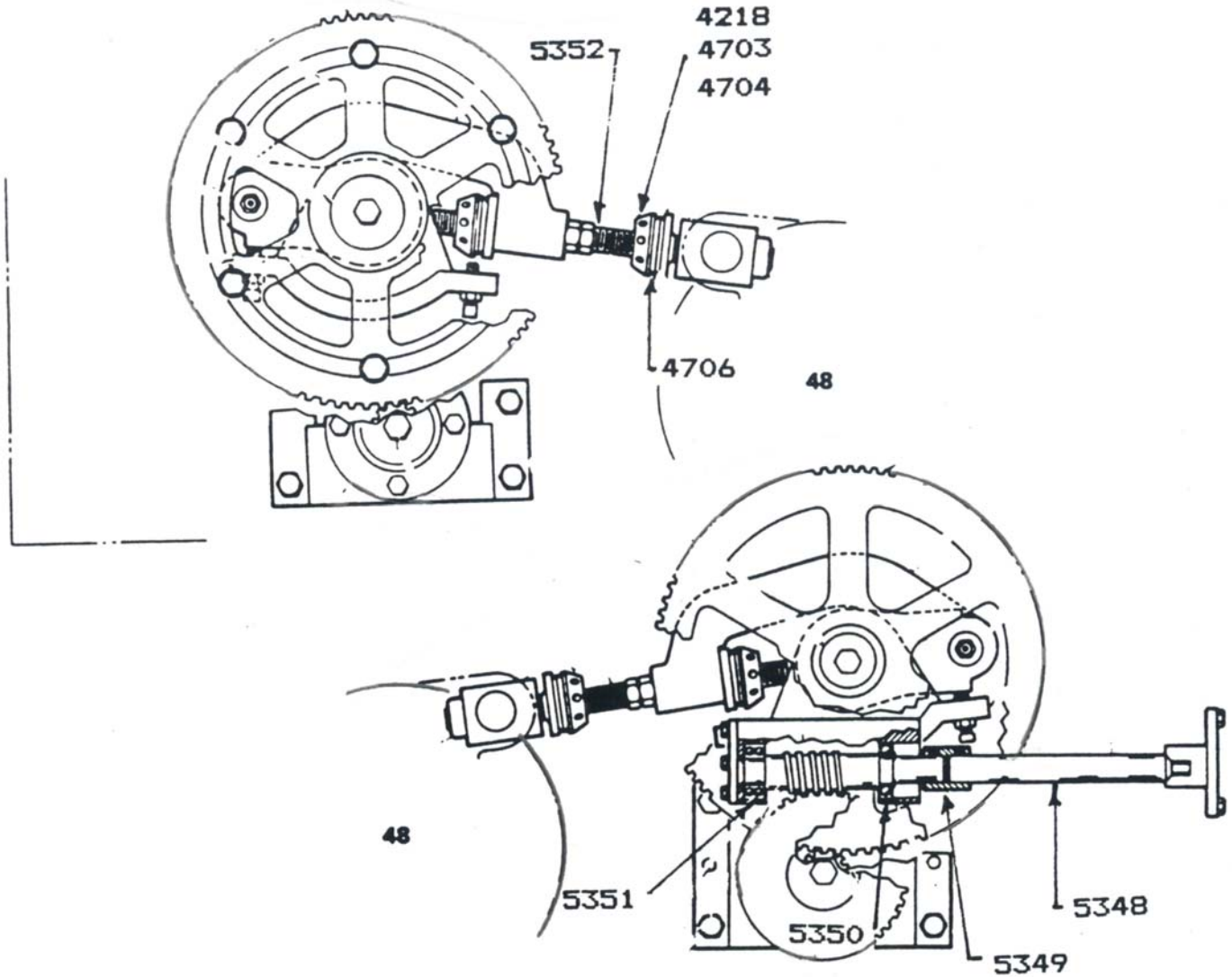
COMMON IMPRESSION CYLINDERS • METRO

STOCK NO.	DESCRIPTION	GOSS PART NO.
4627	Washer	AR-1504-0001
4681	Spring	B-116196-0001
4728	Bearing	722673-1153
5033-1	Sliding Gear Plate	C-090794-0001
5033-2	Sliding Gear Sleeve	D-020533-0000
5033-3	Sliding Gear Hub	C-067493-0001
5033-4	Locking Sleeve	C-067495-0000
5034	Locking Plate	B-116200-0001
5035	O-ring	C-040162-0275

www.a-americanpressparts.com

Check our website for updates!

UNIT & HALF-DECK: CYLINDERS



COMMON CYLINDER ASSEMBLY

STOCK NO.	DESCRIPTION	GOSS PART NO.
4218	Nylock Set Screw	891214-1921
4703	Nylock Plug	865500-0335
4704	Nut - 14-1/2" to 15" Press	B-139715-0001
4706	Spring Disc	897015-2700
5348	Shaft	C-088643-0001
5349	Coupling	B-139862-0001
5350	Bearing	C-040104-6206
5351	Bearing	722605-2789
5352	Throwoff Shaft	B-139712-0004

UNIT & HALF-DECK: CYLINDERS

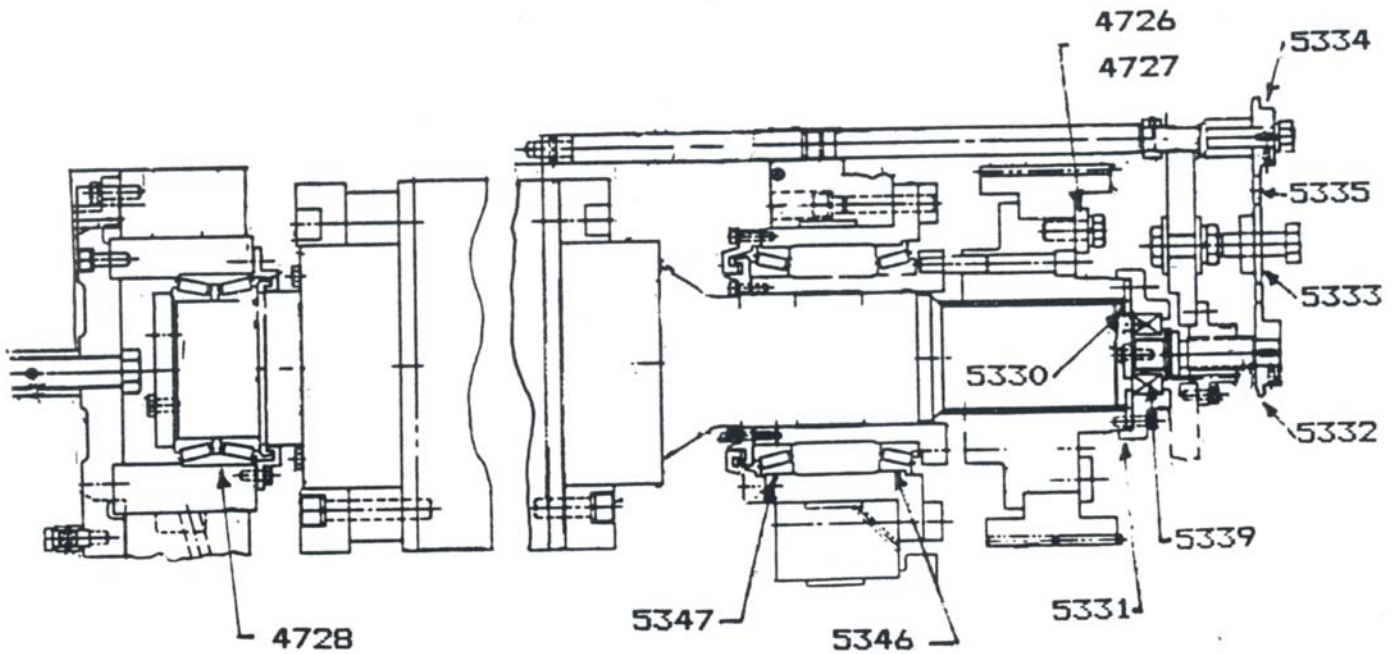


PLATE CYLINDER ASSY W/ CIRCUMFERENTIAL & SIDELAY 10 - 13, & 1701 - 1801

STOCK NO.	DESCRIPTION	GOSS PART NO.
4726	Brass Washer	
4727	Steel Washer	AR-001504-0001
4728	Bearing	722673-1553
5330	Spacer	B-114123-0001
5331	Cap	B-118401-0000
5332	Sprocket	B-116054-0001
5333	Sprocket	B-116052-0001
5334	Sprocket	B-116051-0001
5335	Chain	732404-1055
5339	Bearing	C-040106-5208
5346	Bearing	722673-1515
5347	Bearing	722673-1517

www.a-americanpressparts.com

Check our website for updates!

UNIT & HALF-DECK: CYLINDERS

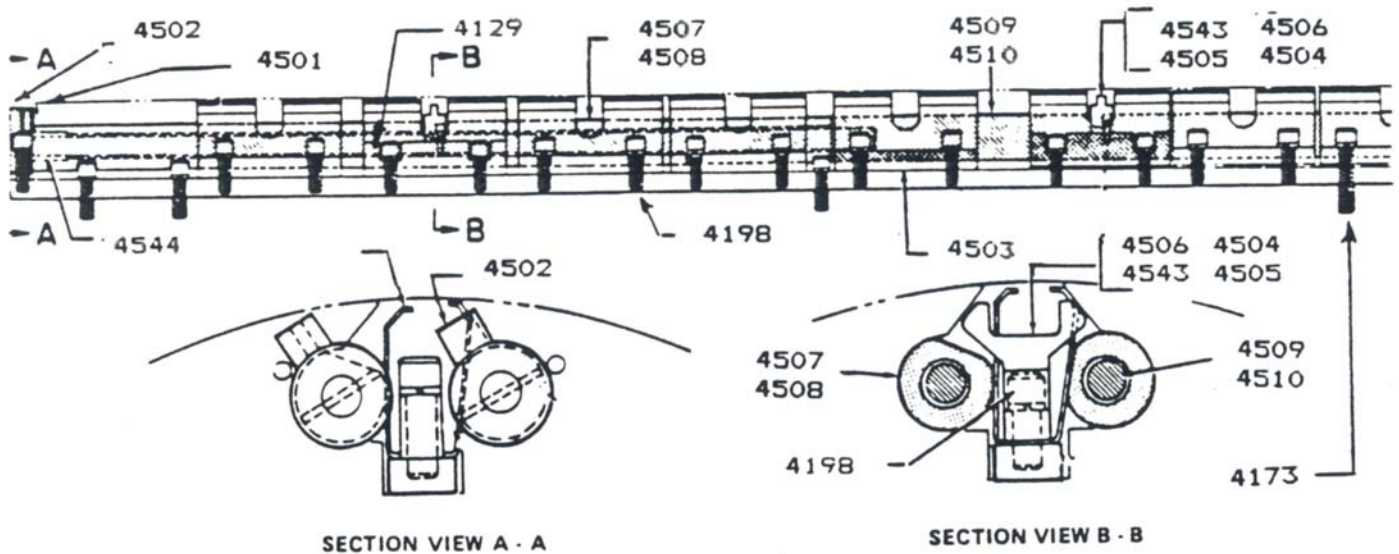


PLATE CYLINDER LOCKUP ASSEMBLY • METRO

STOCK NO.	DESCRIPTION	GOSS PART NO.
4129	Clamp Block	B-134908-0001
4173	SS Allen Screw (5/16 x 1-1/2)	891201-7008
4198	SS Allen Screw (5/16 x 1)	891201-0216
4501	Inner Lockup Lug	B-136135-0001
4502	Outer Lockup Lug	B-136134-0001
4504	Register Bracket	C-134909-0001
4505	Register Bracket	C-134909-0002
4506	Register Bracket	C-134909-0003
4507	Outer Shaft (58" - 60" Web)	B-134735-0011
4508	Outer Shaft (60" - 62" Web)	B-134735-0012
4509	Shaft Assembly (58" - 60" Web)	B-134752-0001 & 11
4510	Shaft Assembly (60" - 62" Web)	B-134752-0002 & 12
4543	Register Bracket Screw	891201-0032
4544	Bushing	729457-0029
4189	Set Screw for Inner Lug	

UNIT & HALF-DECK: CYLINDERS

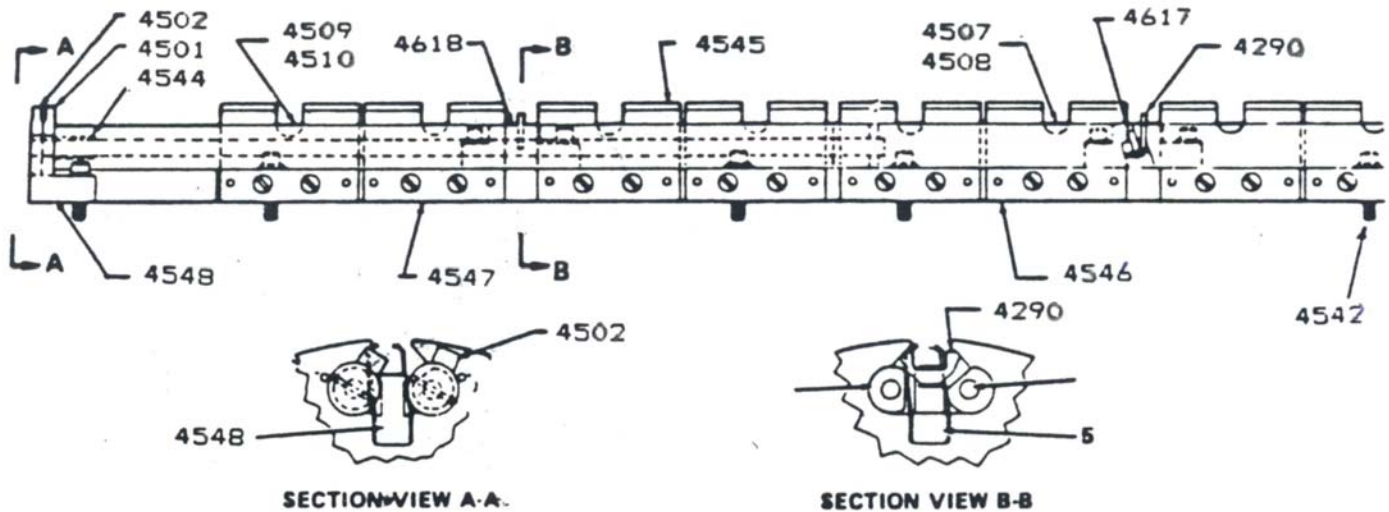


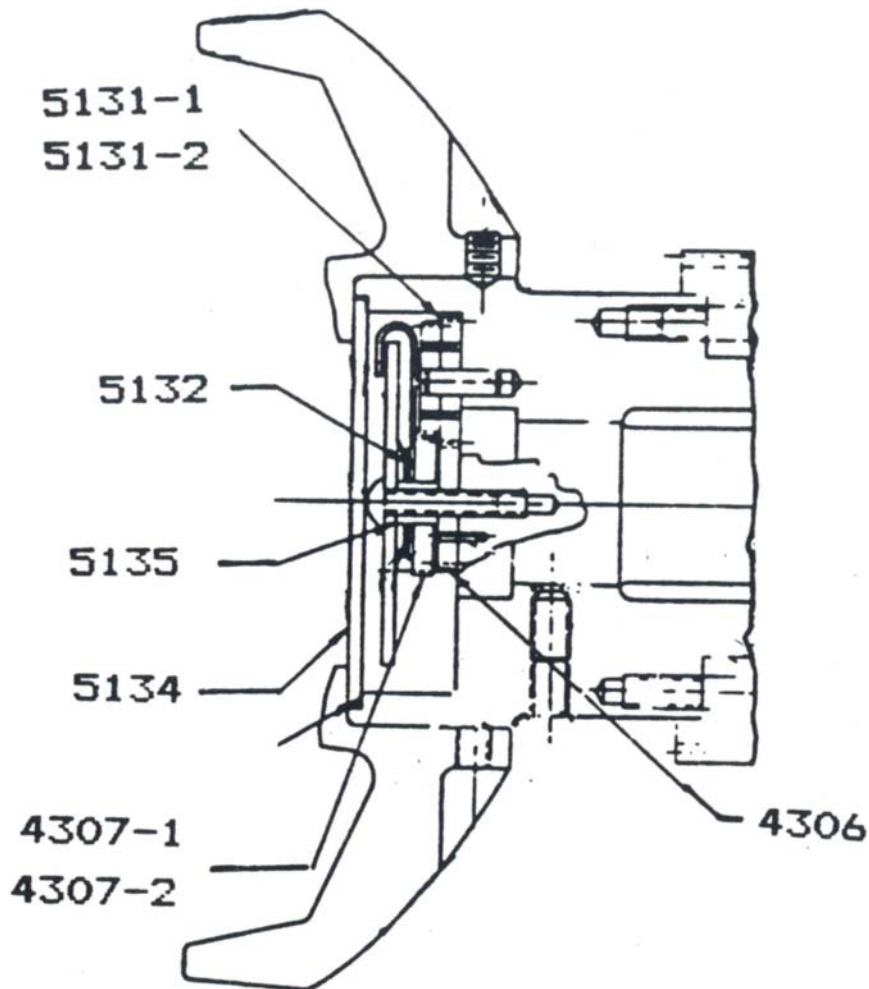
PLATE LOCK-UP ASSEMBLY • METRO & METRO-LINER

STOCK NO.	DESCRIPTION	GOSS PART NO.
4290	Register Pin	B-138569-0002
4501	Lug (Inner)	B-136135-0001
4502	Lug (Outer)	B-136134-0001
4507	Outer Shaft (58" - 60" Web)	B-134735-0011
4508	Outer Shaft (60" - 62" Web)	B-134735-0012
4509	Inner Shaft Assembly (58" - 60" Web)	B-134752-0001 & 11
4510	Inner Shaft Assembly (60" - 62" Web)	B-134752-0002 & 12
4542	Screw for Support Bar	891201-6491
4544	Bushing	729457-0029
4546	Lock-up Spring Holder	C-098347-0001
4547	Lock-up Spring Holder	C-098348-0004
4548	Lock-up Stop	B-147081-0001
4617	Register Bracket Screw	B-138617-0004
4618	Register Bracket Support	B-147342-0001

www.a-americanpressparts.com

Check our website for updates!

UNIT & HALF-DECK: CYLINDERS



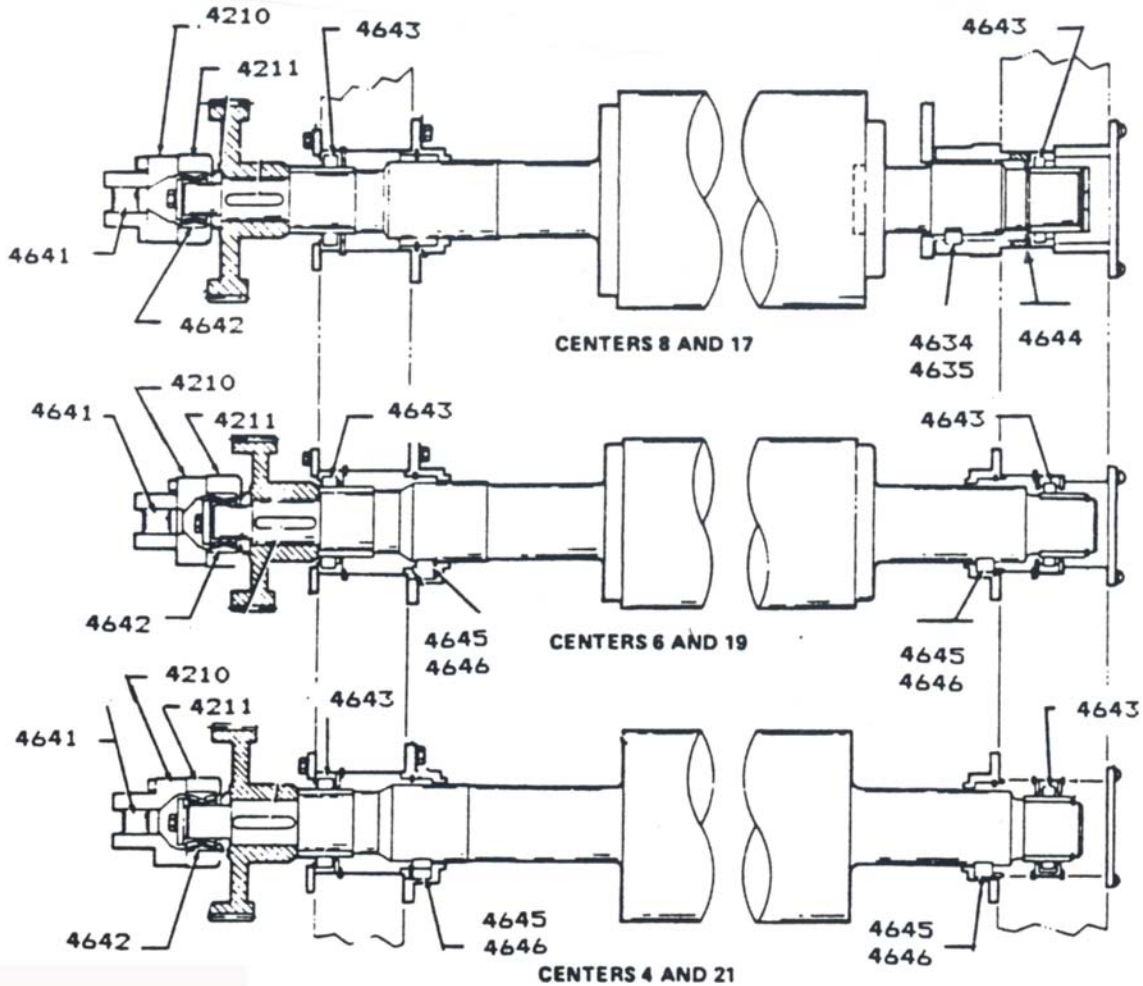
MANUAL CIRCUM - REGISTER & SIDELAY - METRO

STOCK NO.	DESCRIPTION	GOSS PART NO.
4306	Gear (36 teeth)	B-115963-0001
4307-1	Gear & Pointer (37 teeth)	B-012197-0000
4307-2	Gear & Pointer (40 teeth)	B-115878-0001
5131-1	Gear - Circum. Assy	B-115681-0001
5131-2	Gear - Sidelay Assy.	B-125196-0001
5132	Spring	897000-0275
5133	Oilite Bushing	729457-1058
5134	Window	B-115879-0001
5135	Spacer	B-115849-0001

www.a-americanpressparts.com

Check our website for updates!

UNIT & HALF-DECK: CYLINDERS

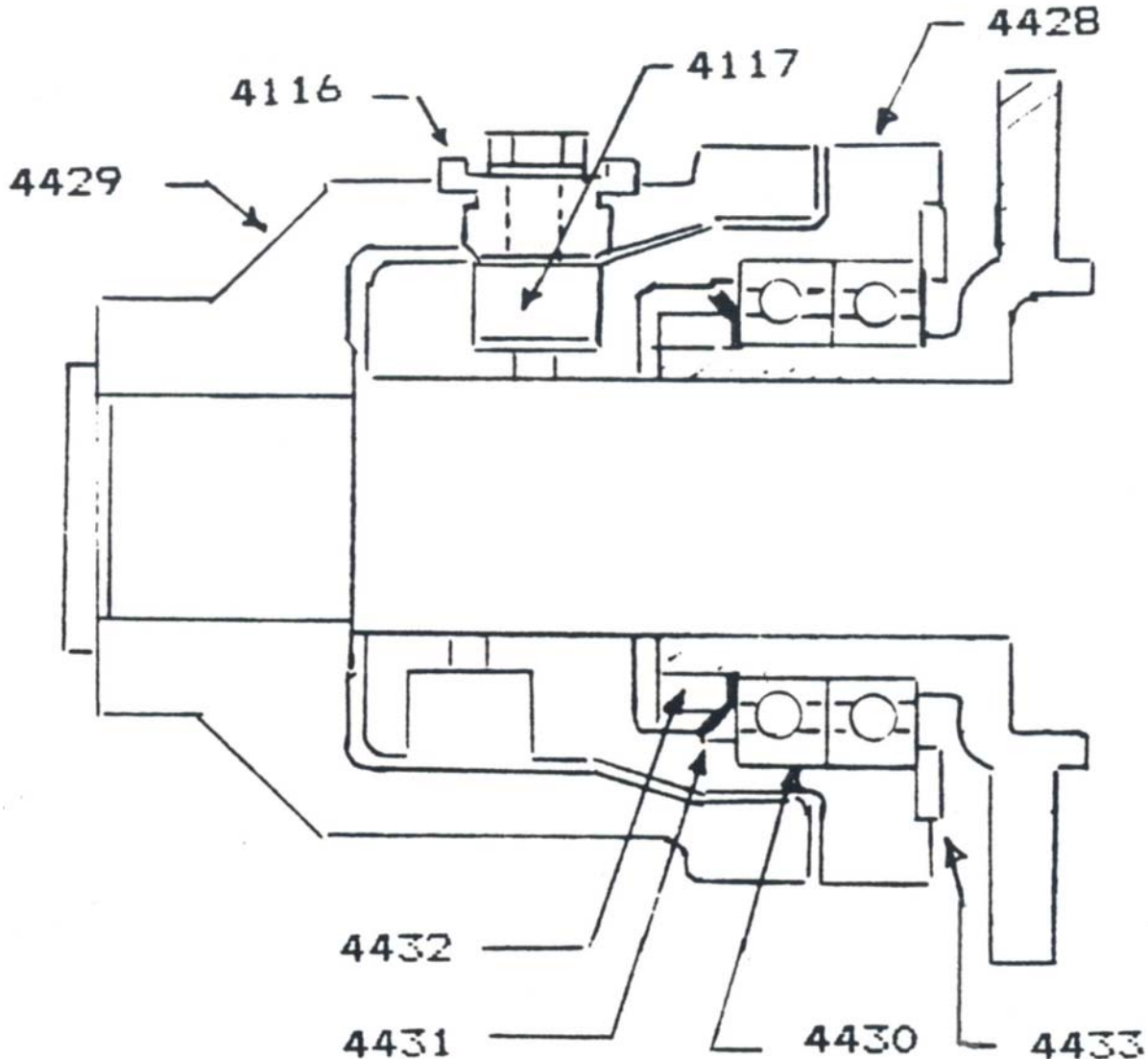


VIBRATED INK DRUM

STOCK NO.	DESCRIPTION	GOSS PART NO.
4210	Vibrator Link Bracket	C-080006-0001
4211	Bearing Retainer	B-114079-0001
4634 *	Oil Wiper	B-103209-0001
4635 *	Oil Wiper Spring	B-095893-0001
4641	Pin	
4642	Bearing	B-116354-0001
4643	Bearing	722673-0191
4644	Wave Washer	930881-0100
4645 +	Oil Wiper	B-130953-0001
4646 +	Oil Wiper Spring	B-130954-0001

* CENTERS 8 & 17
 + CENTERS 6 & 19, 4 & 21

UNIT & HALF-DECK: CYLINDERS



WATER DRUM VIBRATOR

STOCK NO.	DESCRIPTION	GOSS PART NO.
4116	Adapter	B-123928-0001
4117	Cam Follower	766509-1014
4428	Cam	D-023658-0001
4429	Cam Gear	C-073925-0001
4430	Bearing	722605-0226
4431	Lock Washer	C-040124-0113
4432	Lock Nut	C-040123-0113
4433	End Plate	B-123962-0001

www.a-americanpressparts.com

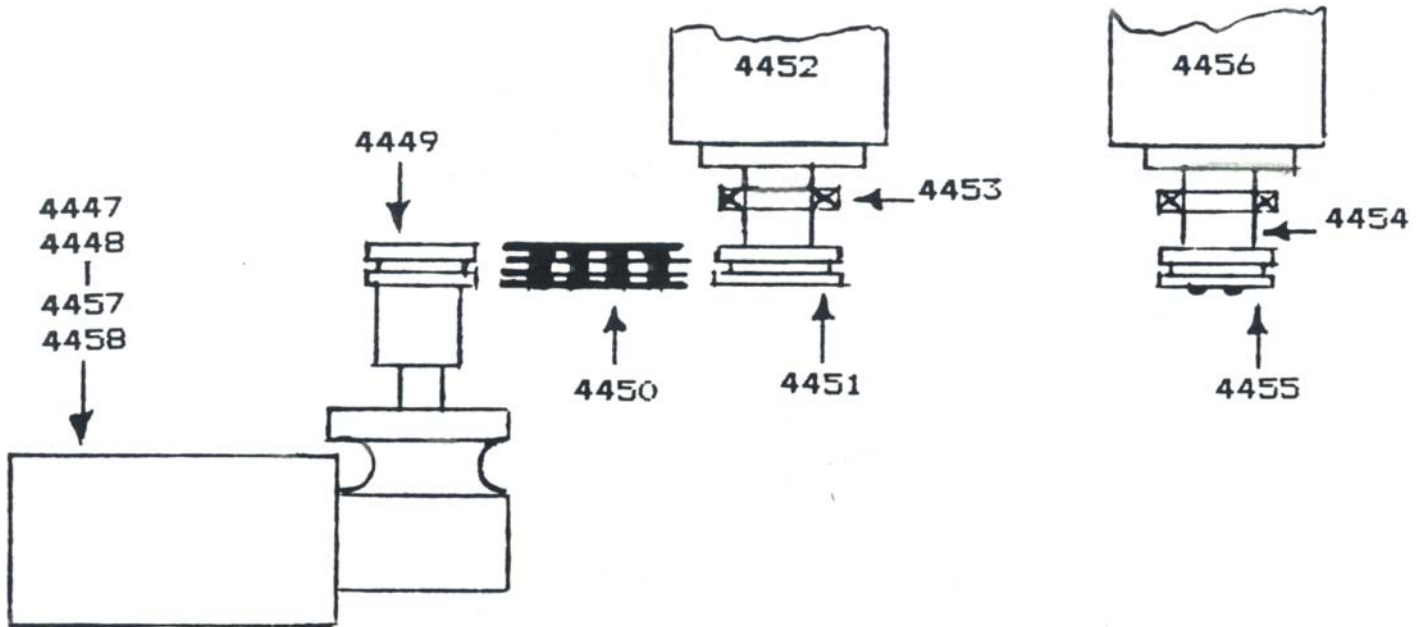
Check our website for updates!



1-888-434-0888
TOLL FREE

UNIT & HALF-DECK: NOTES

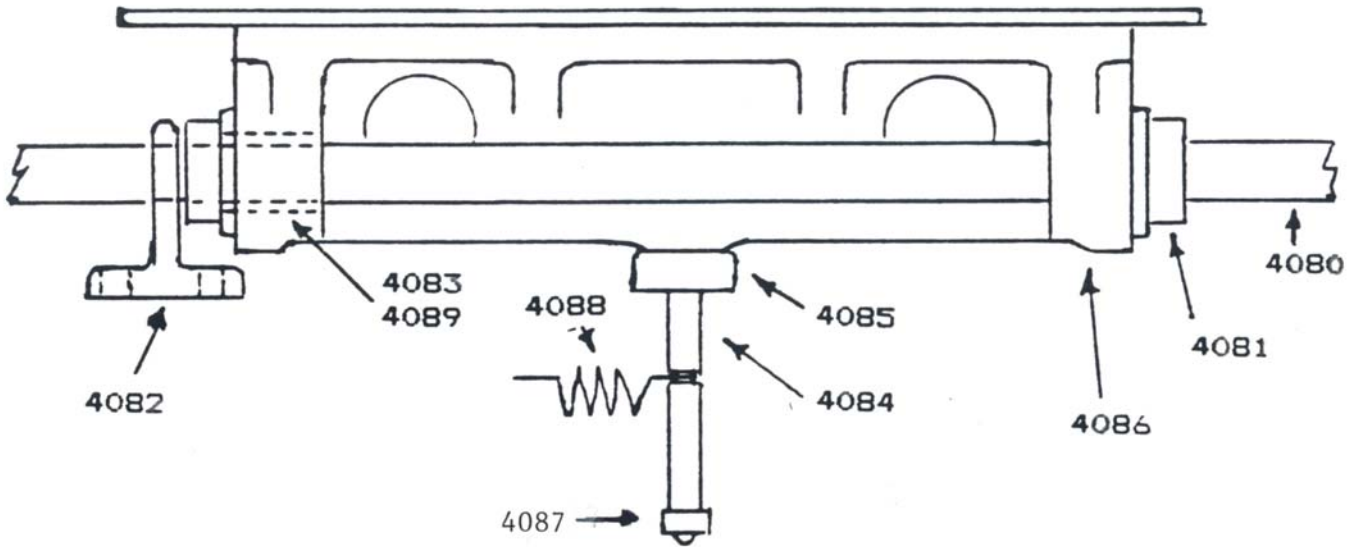
UNIT & HALF-DECK: DAMPENER SYSTEMS



ARCH DAMPENER DRIVE & BRUSH ASSEMBLY

STOCK NO.	DESCRIPTION	GOSS PART NO.
4447	Brush Motor 10 Side (New)	D-024563-0001
4448	Brush Motor 13 Side (New)	D-024563-0002
4449	Motor Sprocket	B-124318-0001
4450	Drive Chain	732403-2041
4451	Brush Sprocket	B-124319-0001
4452	Brush	C-074189-0001
4453	Brush Bearing	722605-0292
4454	Spacer	B-146851-0001
4455	Brush Sprocket	B-146530-0001
4456	Brush	C-997957-0001
4457	Brush Motor 10 Side (Rebuilt)	
4458	Brush Motor 13 Side (Rebuilt)	

UNIT & HALF-DECK: DAMPENER SYSTEMS

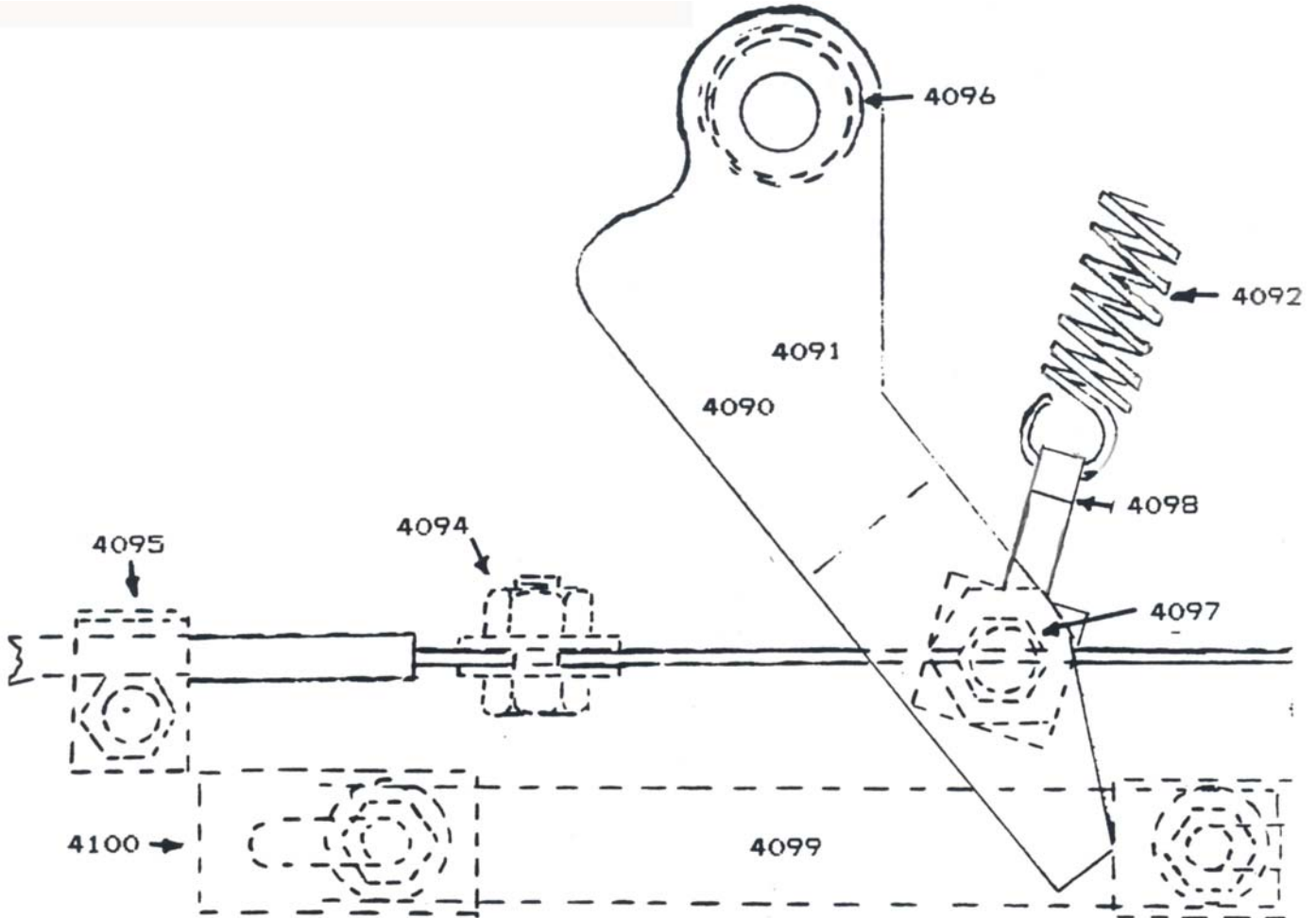


ARCH DAMPENER FLICKER SHAFT ASSEMBLY

STOCK NO.	DESCRIPTION	GOSS PART NO.
4080	Main Flicker Shaft	B-124317-0001
4081	Flicker Collar	C-040082-1000
4082	Flicker Bracket	B-124320-0001
4083 *	Flicker Bushing - 3/8" W	B-124316-0114
4084	Flicker Shaft	B-124389-0001
4085	Flicker Shaft Cover	B-124312-0001
4086	Flicker	C-074291-0001
4087	Flicker Shaft Bearing	722600-0071
4088	Flicker Shaft Spring	089017-7516
4089 +	Flicker Bushing - 5/8" W	B-124316-0001

* POST PRESS NO. 3076
 + PRE PRESS NO. 3076

UNIT & HALF-DECK: DAMPENER SYSTEMS



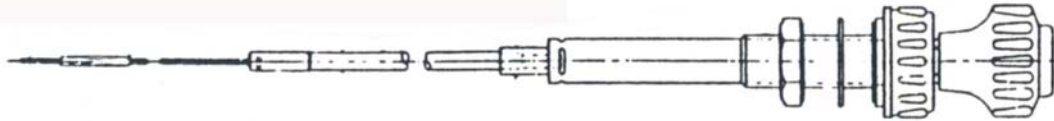
ARCH DAMPENER FLICKER ASSEMBLY

STOCK NO.	DESCRIPTION	GOSS PART NO.
4090	Cam - 10 Side	C-074333-0002
4091	Cam - 13 Side	C-074333-0001
4092	Cam Spring	897017-5022
4094	Travel Limit Screw	B-124807-0001
4095	Wire Clamp	C-040058-0512
4096	Cam Collar	
4097	Cam Bolt	B-124353-0001
4098	Cam Spring Holder	B-124348-0001
4099	Cam Stop Guide	B-124407-0002
4100	Cam Stop	B-131908-0001

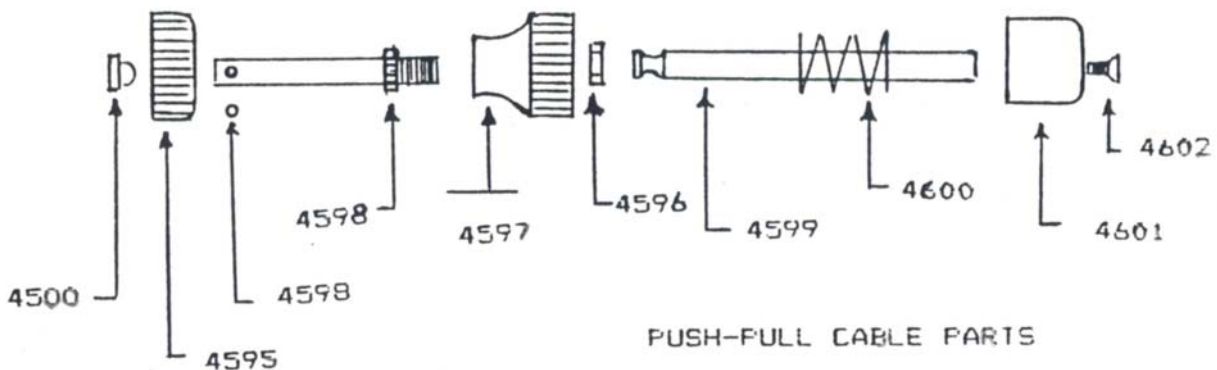
www.a-americanpressparts.com

Check our website for updates!

UNIT & HALF-DECK: DAMPENER SYSTEMS



PUSH-PULL CABLE (COMPLETE)

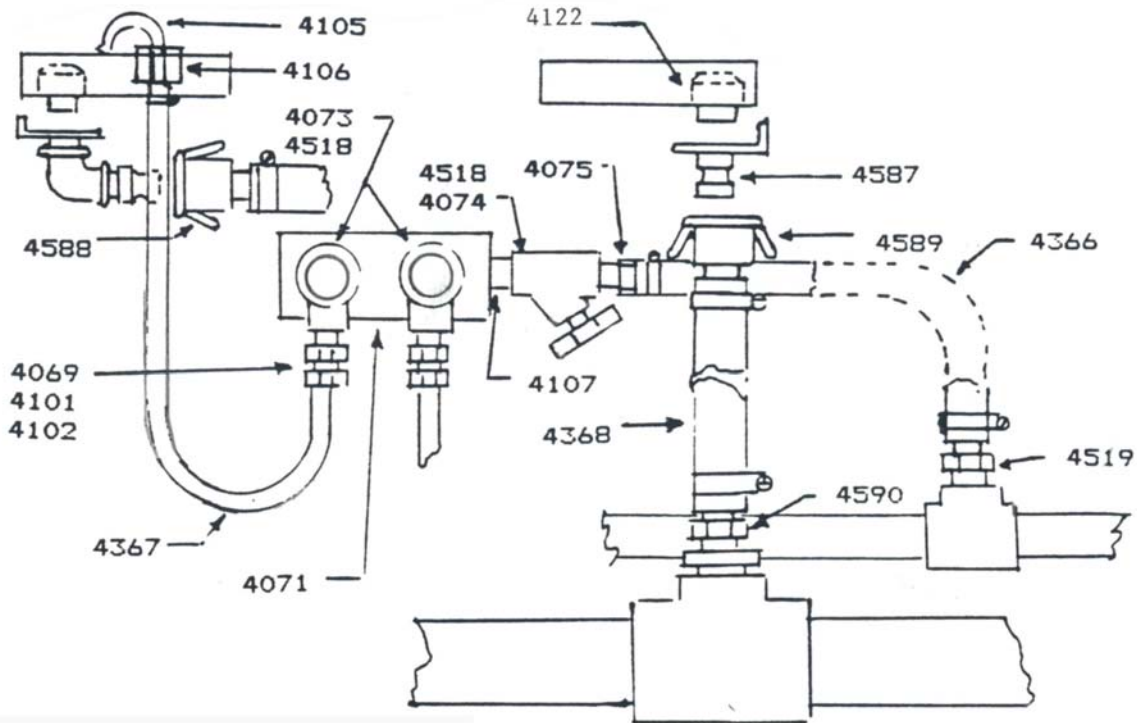


PUSH-PULL CABLE PARTS

PUSH-PULL CABLES & PARTS

STOCK NO.	DESCRIPTION	GOSS PART NO.
4500	Rubber Tension Nut	B-044117-0001
4595	Lock Hub	
4596	Nut for Knob	A-050904-0055
4597	Vernier Control Knob	B-043517-0001
4598	Ball	A-044073-0001
4599	Shaft	
4600	Spring	A-043513-0001
4601	Vernier Release Knob	A-043516-0001
4602	Flat Head Screw	A-050118-0797
4570	Push-Pull Cable (37") ASO	C-074737-0012
4571	Push-Pull Cable (51") ASO	C-074737-0013
4572	Push-Pull Cable (67") ASO	C-074737-0014
4573	Push-Pull Cable (80") ASO	C-074737-0015
4574	Push-Pull Cable (92") HD	C-074767-0001
4575	Push-Pull Cable (76") HD	C-074767-0002
4576	Push-Pull Cable (60") HD	C-074767-0003
4577	Push-Pull Cable (44") HD	C-074767-0004
4578	Push-Pull Cable (36") UNIT	C-074767-0005
4579	Push-Pull Cable (50") UNIT	C-074767-0006
4580	Push-Pull Cable (66") UNIT	C-074767-0007
4581	Push-Pull Cable (82") UNIT	C-074767-0008

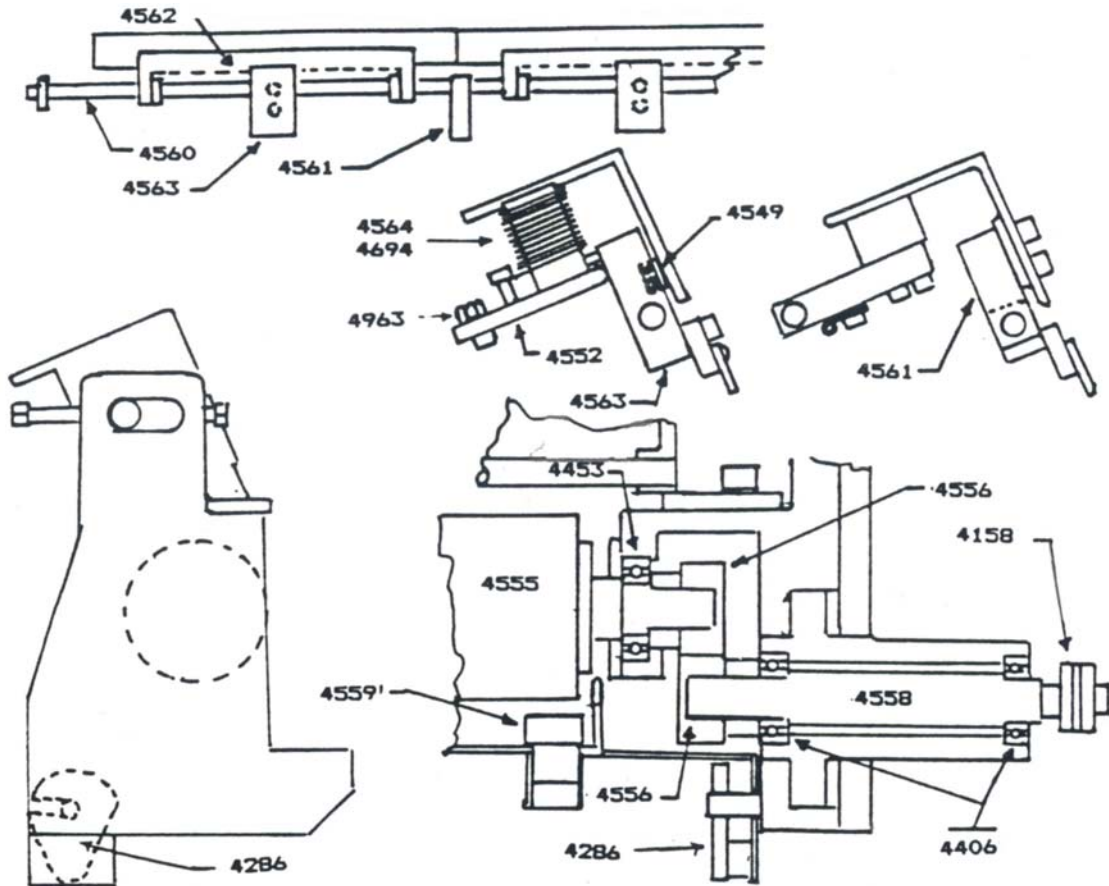
UNIT & HALF-DECK: DAMPENER SYSTEMS



ARCH DAMPENER WATER SYSTEM

STOCK NO.	DESCRIPTION	GOSS PART NO.
4069	Nylon Fitting	736175-3115
4071	Manifold	B-126487-0001
4073	Plastic Valve	920503-0504
4074	Plastic Angle Valve	920526-0504
4075	Nylon Hose Coupling	737840-0315
4101	Insert (For # 4069)	794000-0035
4102	Nut & Sleeve (For # 4069)	
4105	Fill Tube	B-128202-0001
4106	Fill Tube Spring Clip	B-128203-0001
4107	PVC Nipple	843058-6310
4122	Standpipe	B-117259-0003
4366	Water Feed Tubing	908400-0094
4367	Water Feed Tubing (1/2" OD)	908400-0095
4368	Drain Tubing	908400-0102
4518	PVC Reducer Bushing	729467-0010
4519	Nylon Hose Coupling	737840-0316
4588	Coupling	737840-2002
4589	Coupling	737840-2003
4590	Nylon Hose Coupling	843035-4880
4660	Coupling	737840-2001

UNIT & HALF-DECK: DAMPENER SYSTEMS



BRUSH DAMPENER

STOCK NO.	DESCRIPTION	GOSS PART NO.
4158	Coupling	737832-0102
4286	Water Pan Latch	930800-0475
4406	Jack Shaft Bearing	722605-0289
4453	Brush Bearing	722605-0292
4549	Spring	B-114531-0001
4552	Cam	B-124183-0001
4555	Brush	C-074189-0001
4556	Brush Gear	B-124192-0001
4558	Jack Shaft	C-074192-0001
4559	Standpipe	B-124181-0001
4560	Flicker Shaft	B-124186-0001
4561	Flicker Shaft Bracket	B-124188-0001
4562	Deflector Bracket	C-074194-0001
4563	Deflector Block	B-124187-0001
4564	Spring (10 side deck)	B-124306-0001
4694	Spring (13 side deck)	B-124306-0002

www.a-americanpressparts.com

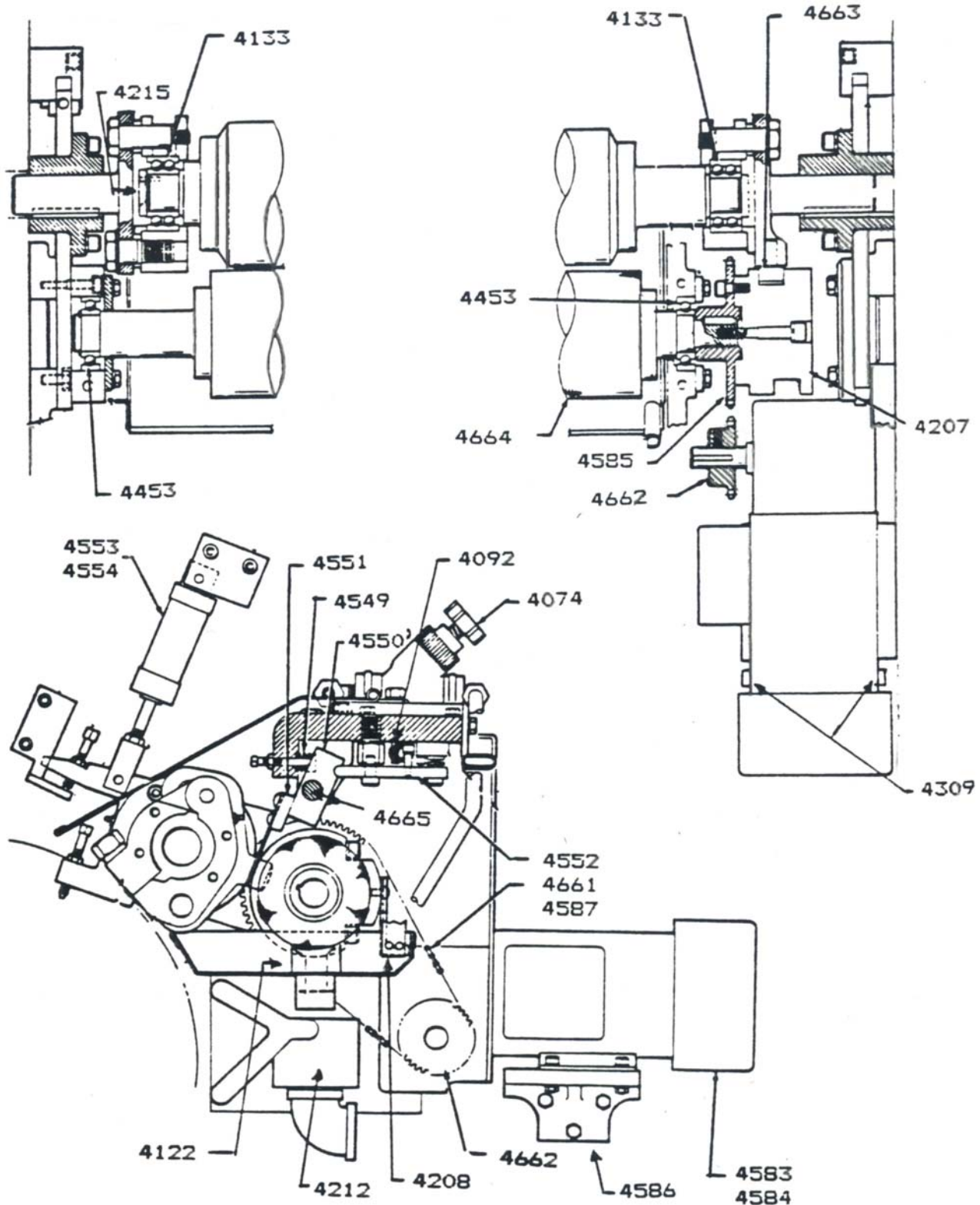
Check our website for updates!



1-888-434-0888
TOLL FREE

UNIT & HALF-DECK: NOTES

UNIT & HALF-DECK: DAMPENER SYSTEMS



ANTI-SETOFF BRUSH DAMPENER



1-888-434-0888
TOLL FREE

UNIT & HALF-DECK: DAMPENER SYSTEMS

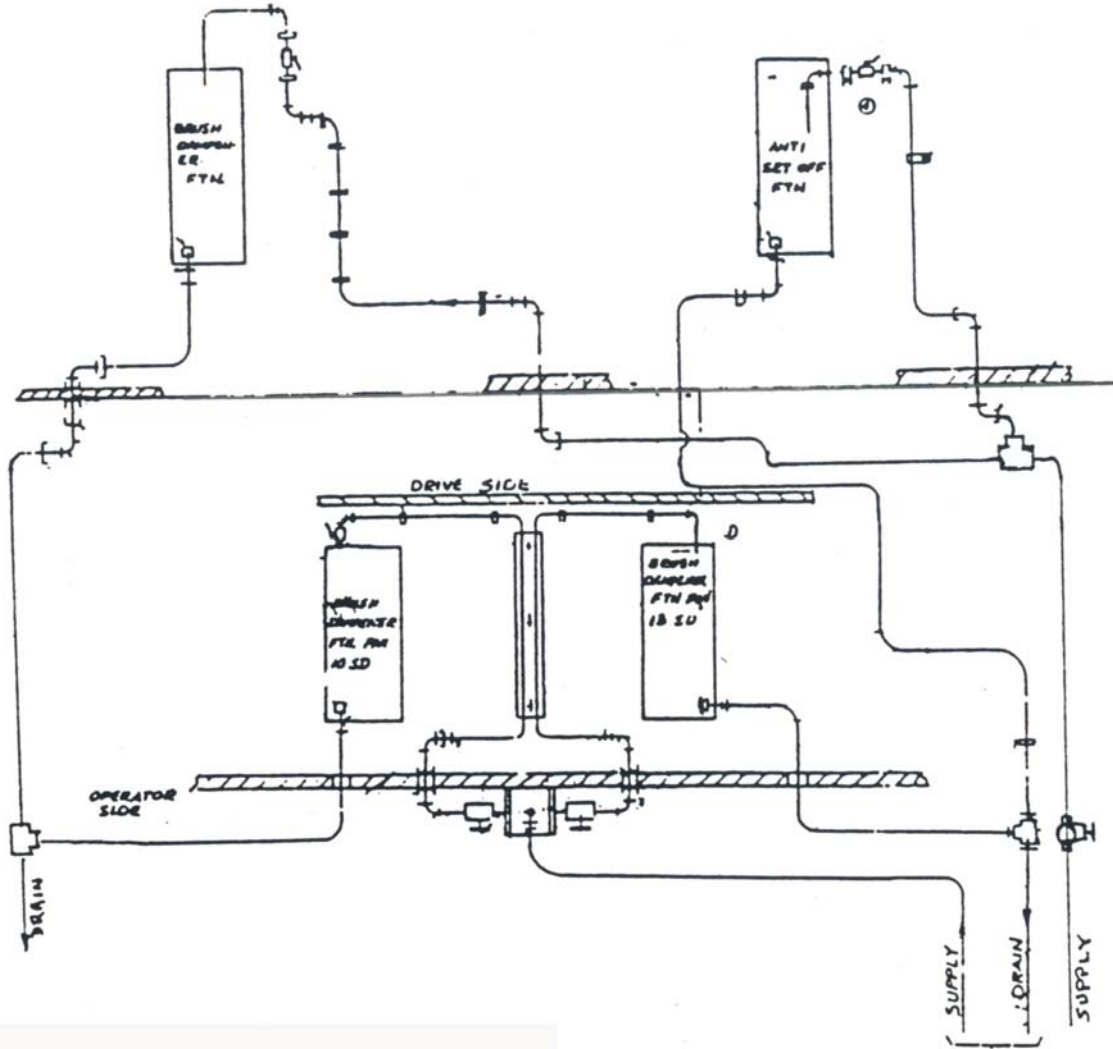
ANTI-SETOFF BRUSH DAMPENER

STOCK NO.	DESCRIPTION	GOSS PART NO.
4074	Angle Feed Valve	920526-0503
4092	Spring	897017-7516
4122	Standpipe	B-117259-0003
4133	Roller Bearing	722605-2006
4207	Brush Cam	C-076191-0001
4208	Pan Hanger	C-088967-0002
4212	Over-Flow Drain	B-126482-0001
4215	Washer & Screw	B-126442-0001
4309	Brushes for Motors	
4452	Brush	C-074189-0001
4453	Brush Bearing	722605-0292
4549	Spring	B-115431-0001
4550	Deflector Block	B-126444-0001
4551	Deflector Bracket	C-074194-0001
4552	Cam	B-124183-0001
4553	Air Cylinder - Stationary Common	B-126439-0001
4554	Air Cylinder - Hi-Lo Common	B-011658-0011
4583	Motor (10 side)	D-023716-0006
4584	Motor (13 side)	D-023716-0001
4585	Brush Sprocket	B-012433-0001
4586	Motor Mounting Bracket	C-076194-0001
4587	Drive Chain - 13-11/16" Press	732404-5046
4661	Drive Chain	732404-5048
4662	Motor Sprocket	B-097115-2151
4663	Cam Follower	766509-1011
4665	Flipper Shaft	B-124186-0002
4666	Mounting Block	B-126443-0001

www.a-americanpressparts.com

Check our website for updates!

UNIT & HALF-DECK: DAMPENER SYSTEMS



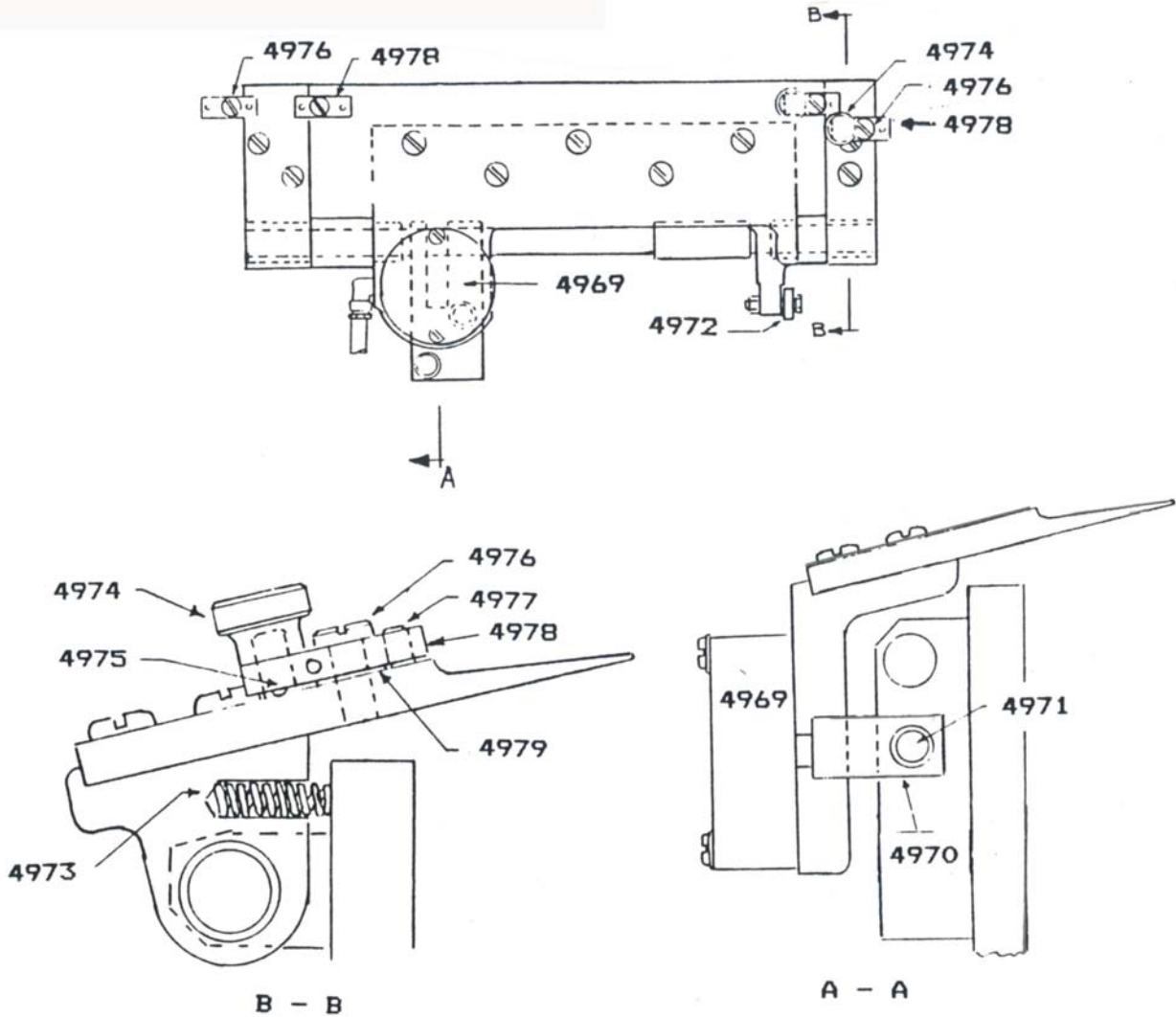
INK TRAIN DAMPENER WATER SYSTEM

STOCK NO.	DESCRIPTION	GOSS PART NO.
4066	Manifold	B-149207-0001
4068	Valve	920505-3005
4107	Nipple - PVC	843058-6310
4276	Elbow - PVC	753061-4371
4277	Nipple - PVC	854058-6314
4351	Valve - Ball Type	920505-1000
4836	Elbow - Nylon	B-149171-0001
4837	O-ring	C-040161-0214
4838	Fast Disconnect Socket	895405-0001
4839	Standpipe	B-149030-0001
4840	Reinforced Tubing	908400-0113

www.a-americanpressparts.com

Check our website for updates!

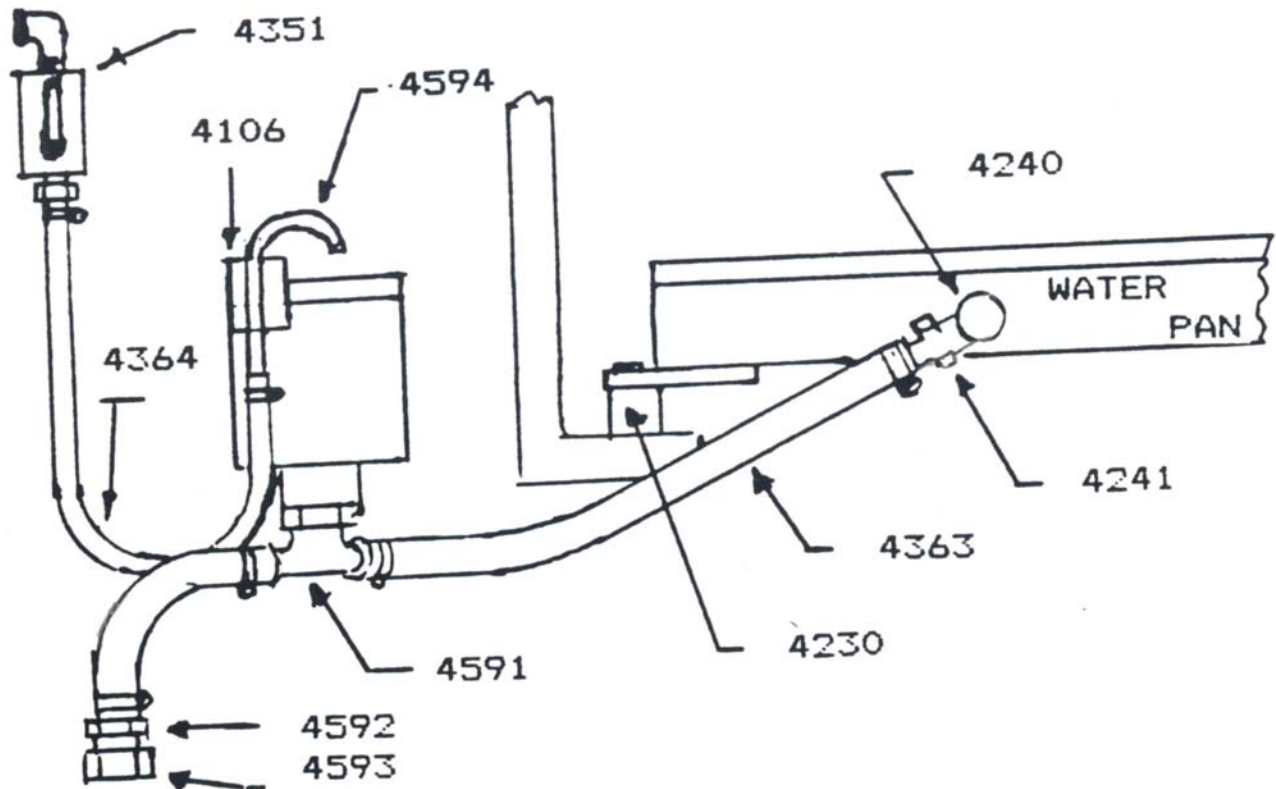
UNIT & HALF-DECK: DAMPENER SYSTEMS



INK TRAIN DAMPENER FLICKER BLADE ASSEMBLY

STOCK NO.	DESCRIPTION	GOSS PART NO.
4969	Pancake Air Cylinder	739902-0052
4970	Clevis	B-149051-0001
4971	Shoulder Screw	891232-0137
4972	Bearing	722605-0075
4973	Spring	897009-3692
4974	Knurled Knob	815000-0170
4975	Spring Plunger	865700-0271
4976	Slotted Shoulder Screw	891232-3202
4977	Set Screw	891212-0274
4978	Tab Block	B-149052-0001
4979	Bearing Spacer	896203-0038

UNIT & HALF-DECK: DAMPENER SYSTEMS



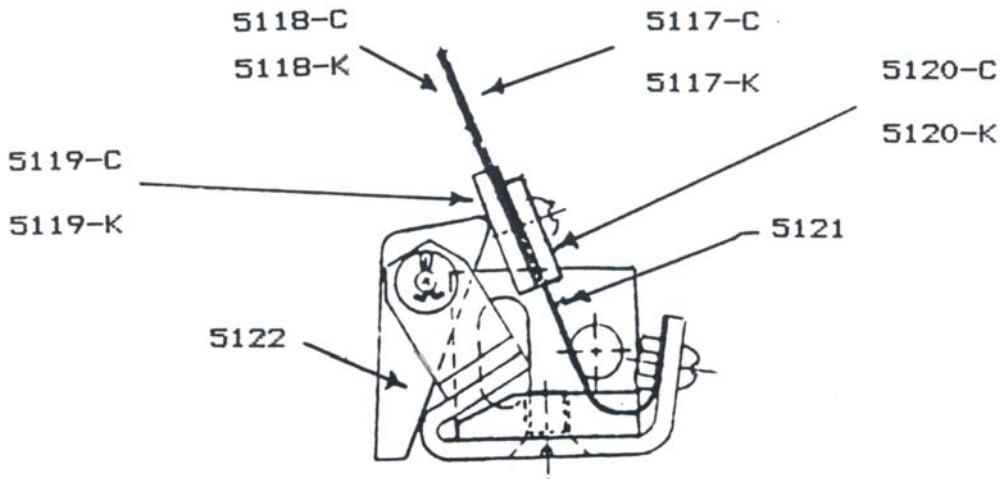
SPIRAL BRUSH WATER SYSTEM

STOCK NO.	DESCRIPTION	GOSS PART NO.
4106	Spring Clip	B-128203-0001
4230	Pan Mount	836068-0006
4240	Elbow	075300-0062
4241	Hose Coupling	737840-0206
4351	Feed Vavle	920505-1000
4363	Tubing	908400-0091
4364	Feed Tubing	908400-0092
4591	Hose Tee	902063-0203
4592	Hose Coupling	737840-0320
4593	Nylon Pipe Cap	731061-0115
4594	Fill Tube	B-153525-0001

www.a-americanpressparts.com

Check our website for updates!

UNIT & HALF-DECK: DAMPENER SYSTEMS

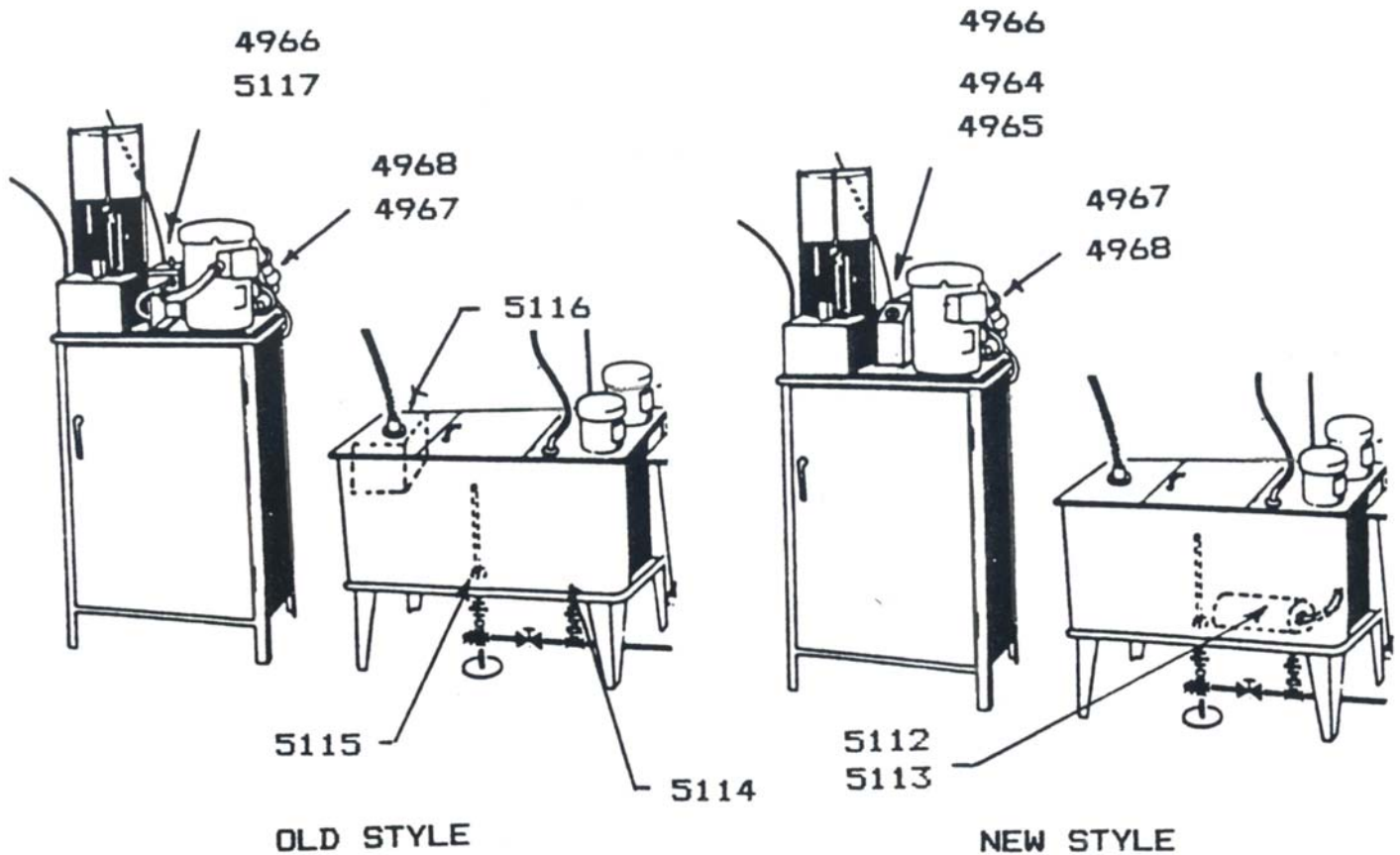


WATER STOP ASSEMBLY

STOCK NO.	DESCRIPTION	GOSS PART NO.
5121	Spring	B-152853-0002
5122	Water Stop Cam	B-152852-0001
5117-C	Teflon Wiper Blade	C-108032-0003
5117-K	Teflon Wiper Blade	C-108032-0011
5118-C	Backup Spring Blade	C-108033-0003
5118-K	Backup Spring Blade	C-108033-0011
5119-C	Support Blade	C-108031-0003
5119-K	Support Blade	C-108031-0011
5120-C	Support Blade	C-108657-0003
5120-K	Support Blade	C-108657-0011

**** ALL SIZE BLADES AVAILABLE ****

UNIT & HALF-DECK: DAMPENER SYSTEMS



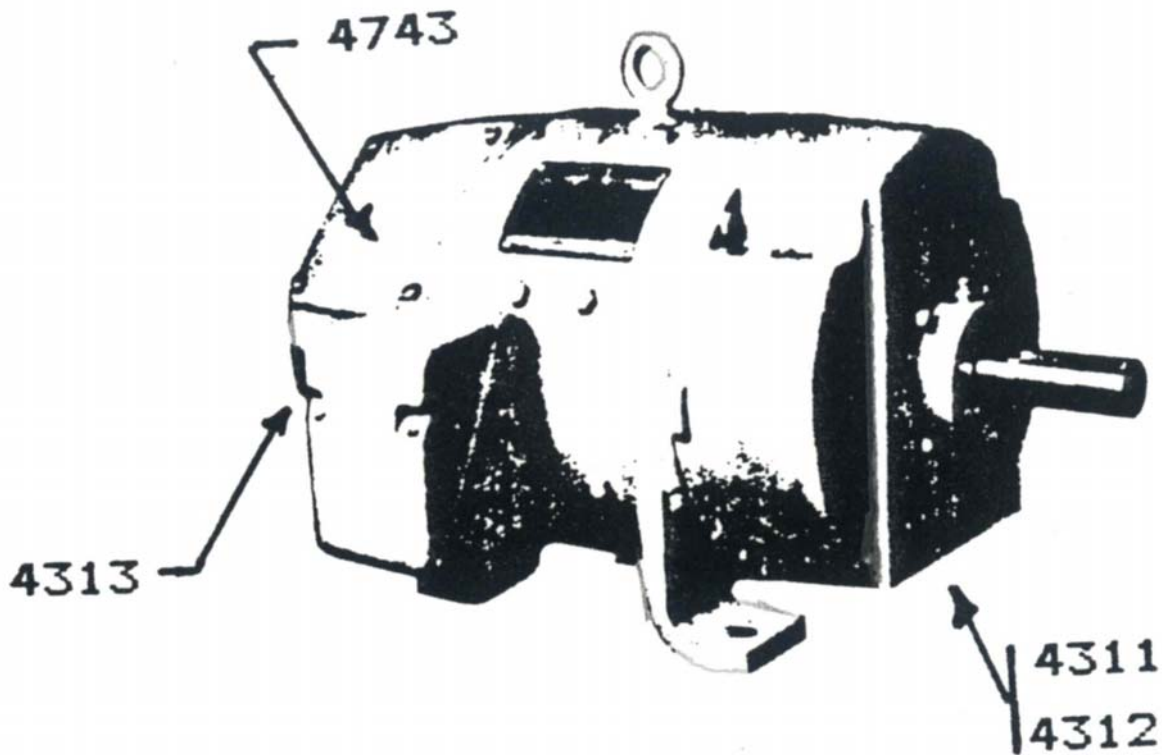
BALDWIN AUTO-MIX 221 & BALDWIN CIRCULATOR 640

STOCK NO.	DESCRIPTION	GOSS PART NO.
4964	Switch	
4965	Contact	
4966	Limit Switch	
4967	Y Filter Screen	
4968	Solenoid	
5112	Super Full-flo Filter Screen	
5113	Round Filter (for 5112)	
5114	Tank Fitting Assembly	
5115	Tank Fitting Assy- Manual Drain	
5116	Square Basket Filter	
5117	Switch	

www.a-americanpressparts.com

Check our website for updates!

UNIT & HALF-DECK: DRIVE SYSTEM



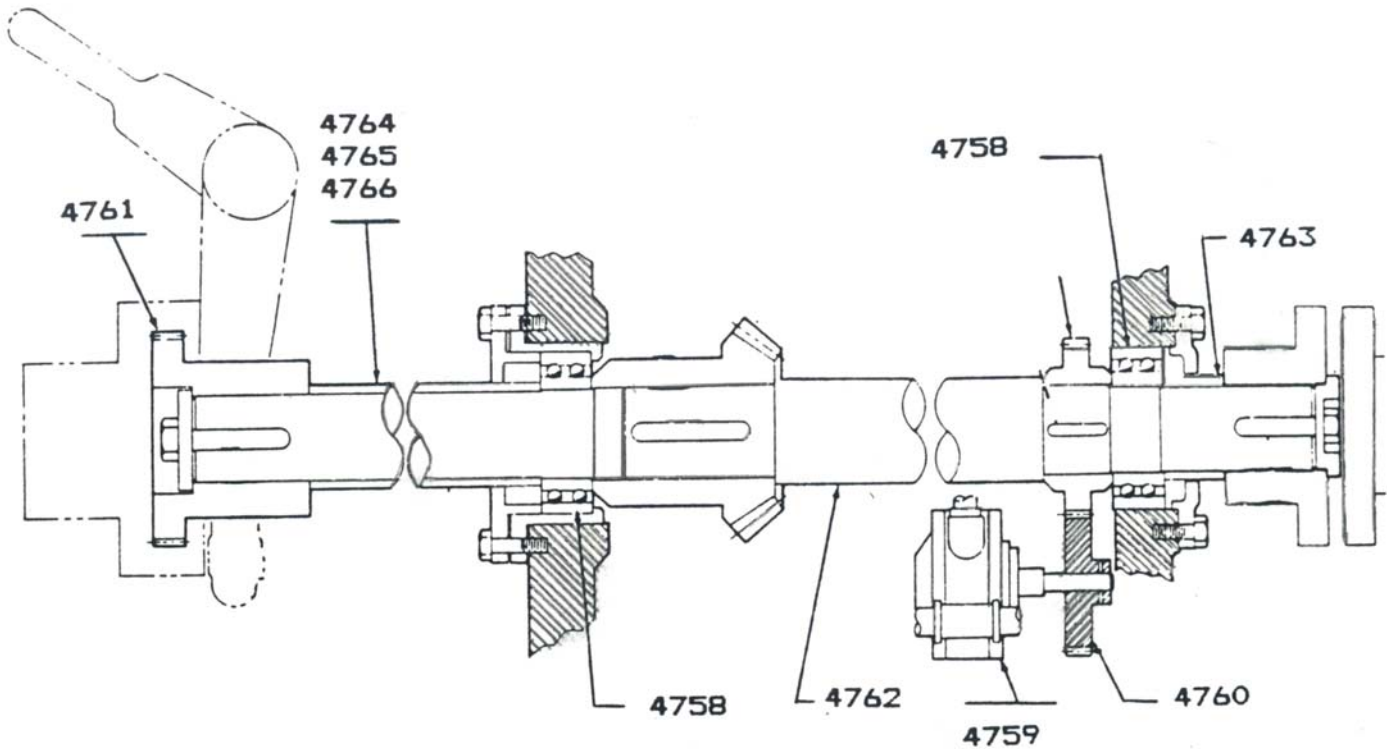
MAIN DRIVE MOTORS • GENERAL ELECTRIC

STOCK NO.	DESCRIPTION	GOSS PART NO.
4311	Exhaust Screen	
4312	Air Inlet	
4313	Air Exhaust	
4743	Plastic Cover for Motor	

www.a-americanpressparts.com

Check our website for updates!

UNIT & HALF-DECK: DRIVE SYSTEM



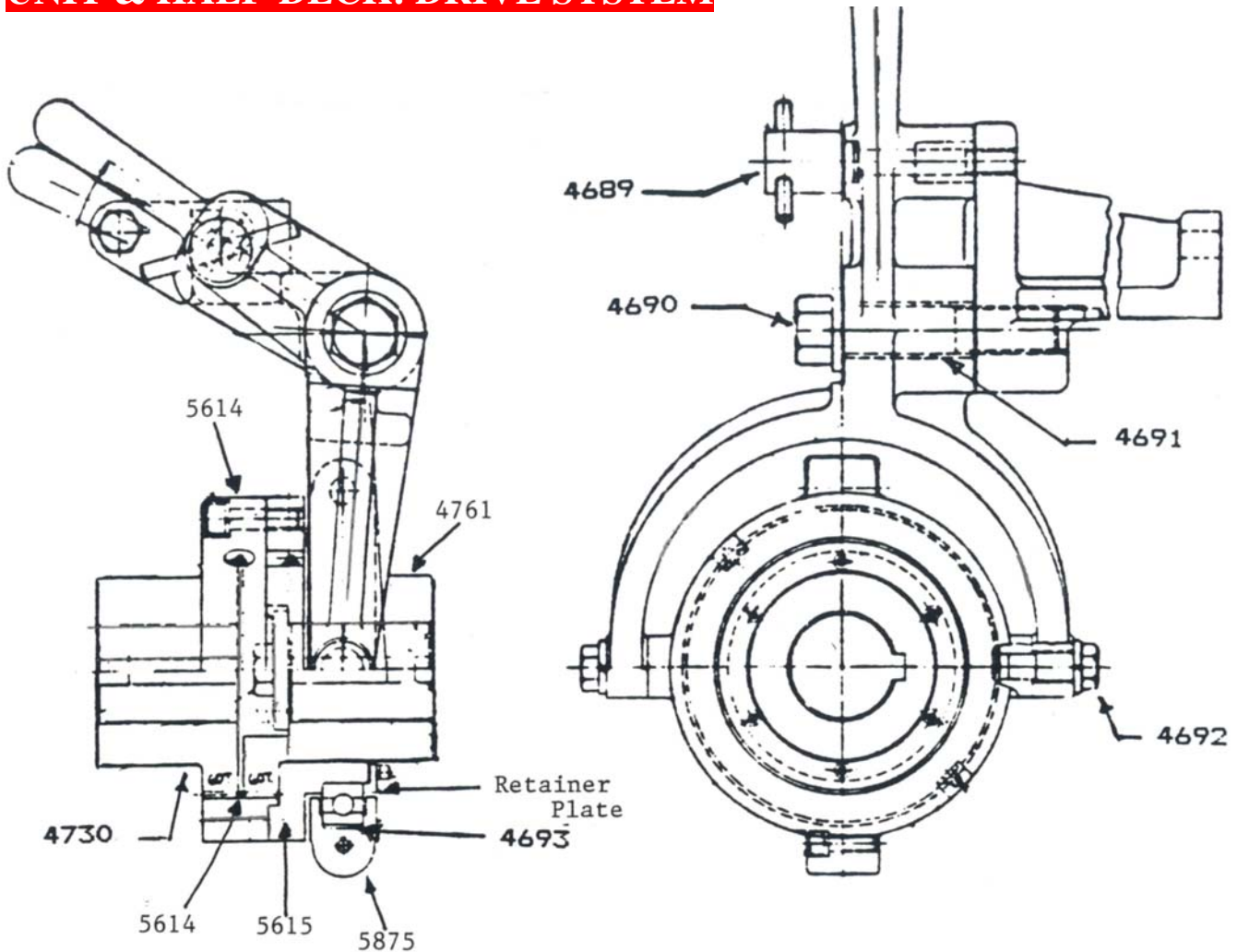
MAIN DRIVE BOX • METRO

STOCK NO.	DESCRIPTION	GOSS PART NO.
4758	Bearing	722605-2013
4759	Oil Pump	
4760	Oil Pump Gear	C-089476-0000
4761	Gear Clutch	B-100883-0001
4762	Shaft	
4763	Spacer	C-040064-5416
4764	Spacer	C-040064-5424
4765	Spacer	C-040064-5430
4766	Spacer	B-116959-0002

www.a-americanpressparts.com

Check our website for updates!

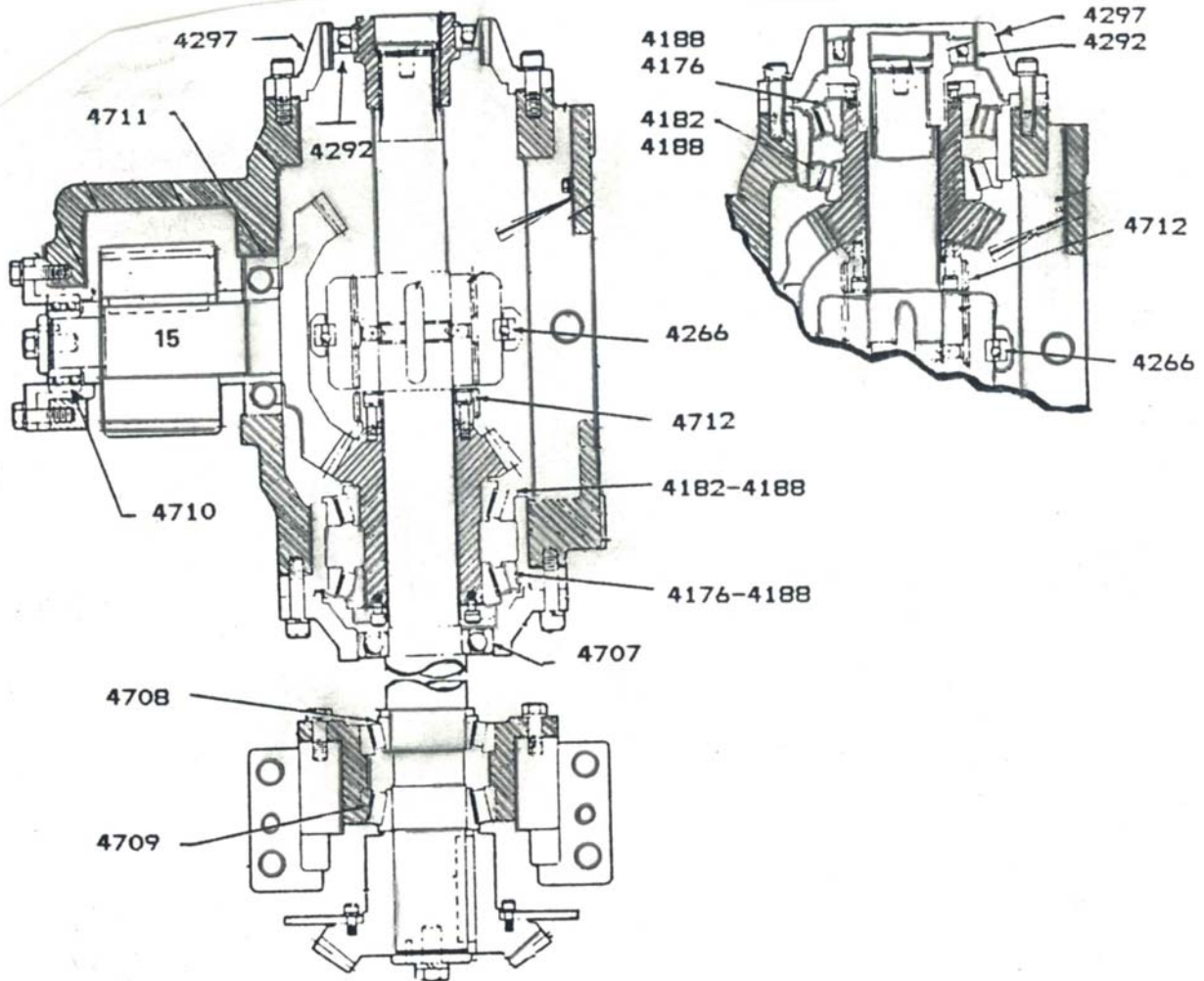
UNIT & HALF-DECK: DRIVE SYSTEM



MAIN DRIVE CLUTCH • METRO

STOCK NO.	DESCRIPTION	GOSS PART NO.
4689	Tee Handle	B-099811-0001
4690	Bolt	C-040080-9154
4691	Brass Bushing	B-099815-0001
4692	Lever Pin	AR-007643-0001
4693	Bearing	722605-0403
4730	Gear	B-100884-0001
4761	Drive Box Clutch Gear	B-100883-0001
5614	Clutch Collar	C-068428-0001
5615	Sliding Hub	C-056095-0001
5875	Brg Housing Set	C-056096-0001
	Retainer Plate	

UNIT & HALF-DECK: DRIVE SYSTEM



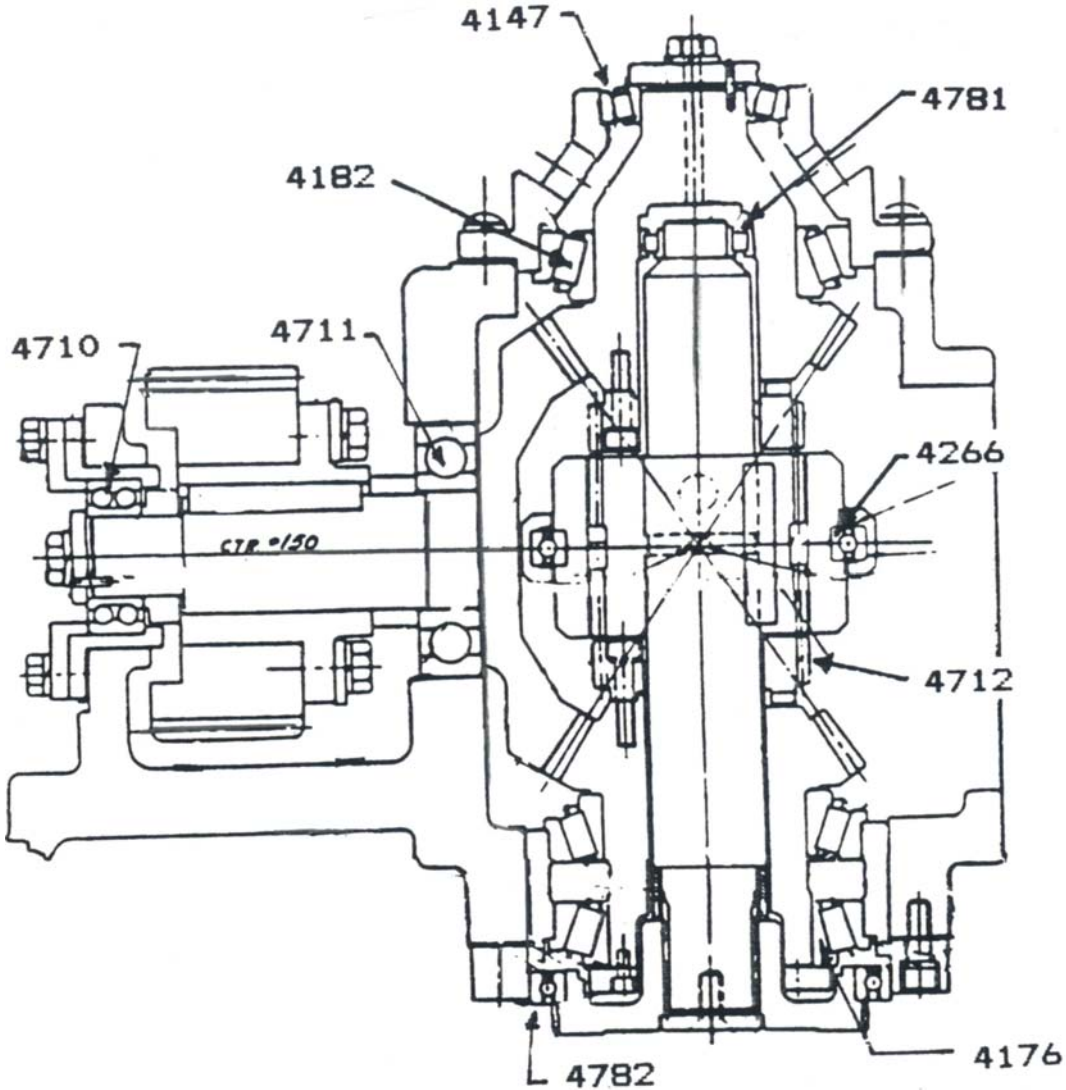
VERTICAL DRIVE • REVERSE & NON-REVERSE

STOCK NO.	DESCRIPTION	GOSS PART NO.
4176	Bearing	722673-1572
4182	Bearing	722673-1574
4188	Bearing Cup for # 4182, 4176	
4192	Bearing	722605-0229
4266	Bearing	722605-0040
4297	Plate Upper Bracket	B-126234-0001
4707	Bearing	C-040100-6213
4708	Bearing	722673-1475
4709	Bearing	722673-2050
4710	Bearing	C-040106-5209
4711	Bearing	C-040101-6313
4712	Gear Clutch	C-066199-0001

www.a-americanpressparts.com

Check our website for updates!

UNIT & HALF-DECK: DRIVE SYSTEM



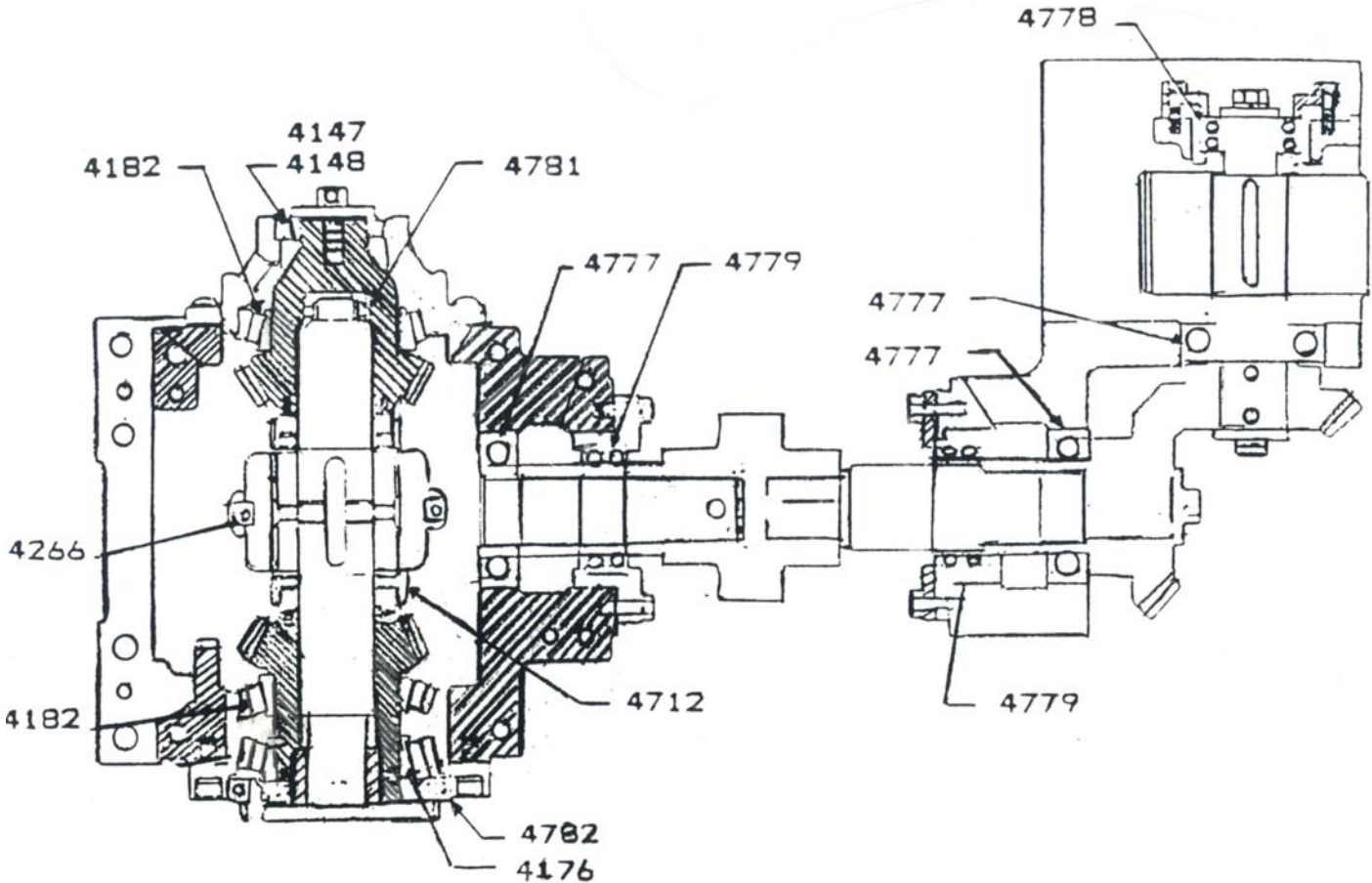
VERTICAL & HORIZONTAL DRIVE • 13 SIDE DECK

STOCK NO.	DESCRIPTION	GOSS PART NO.
4147	Bearing & Cup	722673-1048
4176	Bearing	722673-1572
4182	Bearing	722673-1574
4266	Bearing	722605-0040
4710	Bearing	722605-2009
4711	Bearing	722605-2014
4712	Gear Clutch	C-066199-0001
4781	Bearing	722673-0180
4782	Bearing	722605-0041

www.a-americanpressparts.com

Check our website for updates!

UNIT & HALF-DECK: DRIVE SYSTEM



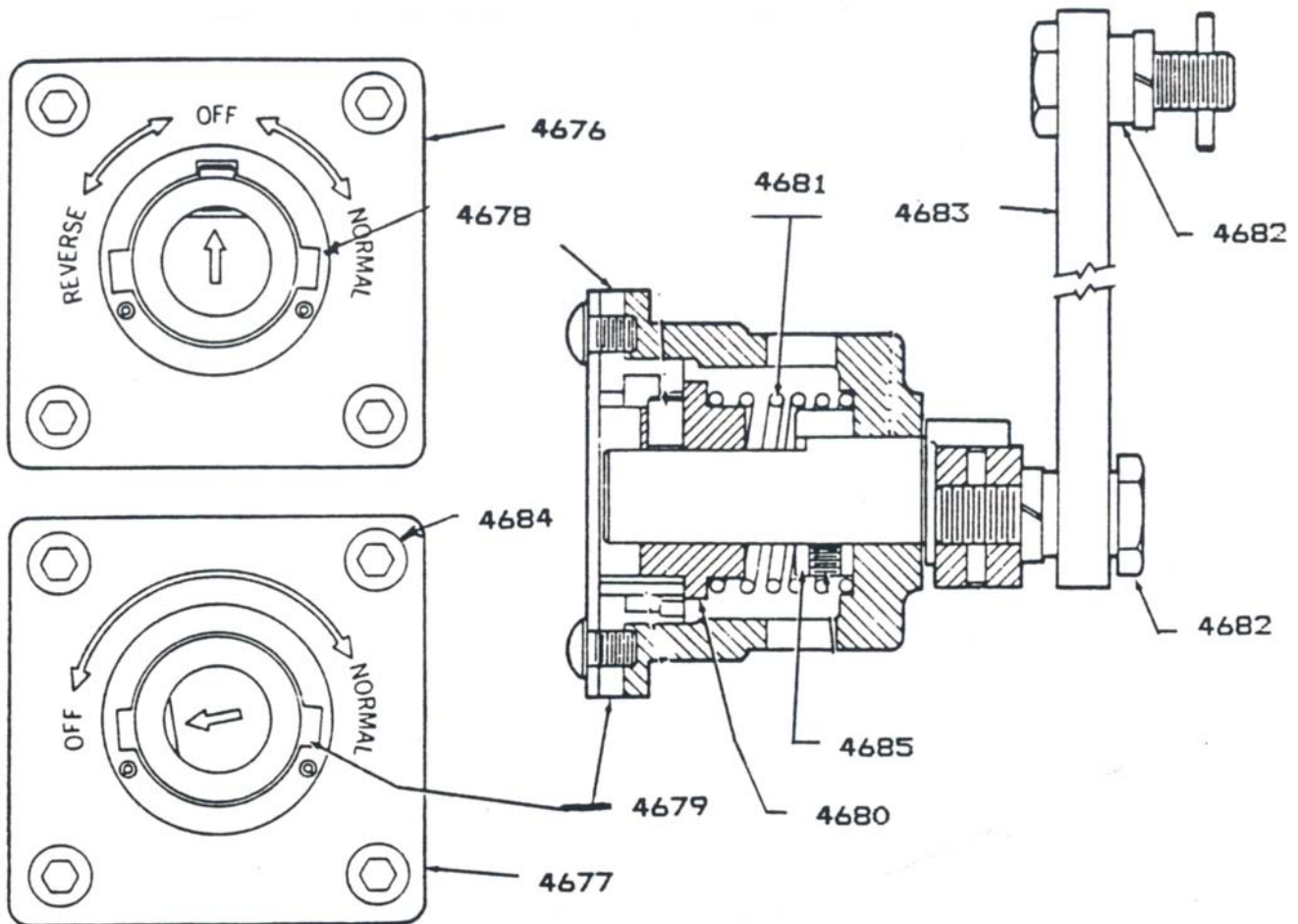
VERTICAL & HORIZONTAL DRIVE • 10

STOCK NO.	DESCRIPTION	GOSS PART NO.
4147	Bearing	722673-1048
4148	Bearing Cup	
4176	Bearing	722673-1572
4182	Bearing	722673-1574
4266	Bearing	722605-0040
4712	Gear Clutch	C-066199-0001
4777	Bearing	C-040101-6312
4778	Bearing	C-040106-5209
4779	Bearing	C-040106-5212
4781	Bearing	722673-0180
4782	Bearing	722605-0041

www.a-americanpressparts.com

Check our website for updates!

UNIT & HALF-DECK: DRIVE SYSTEM



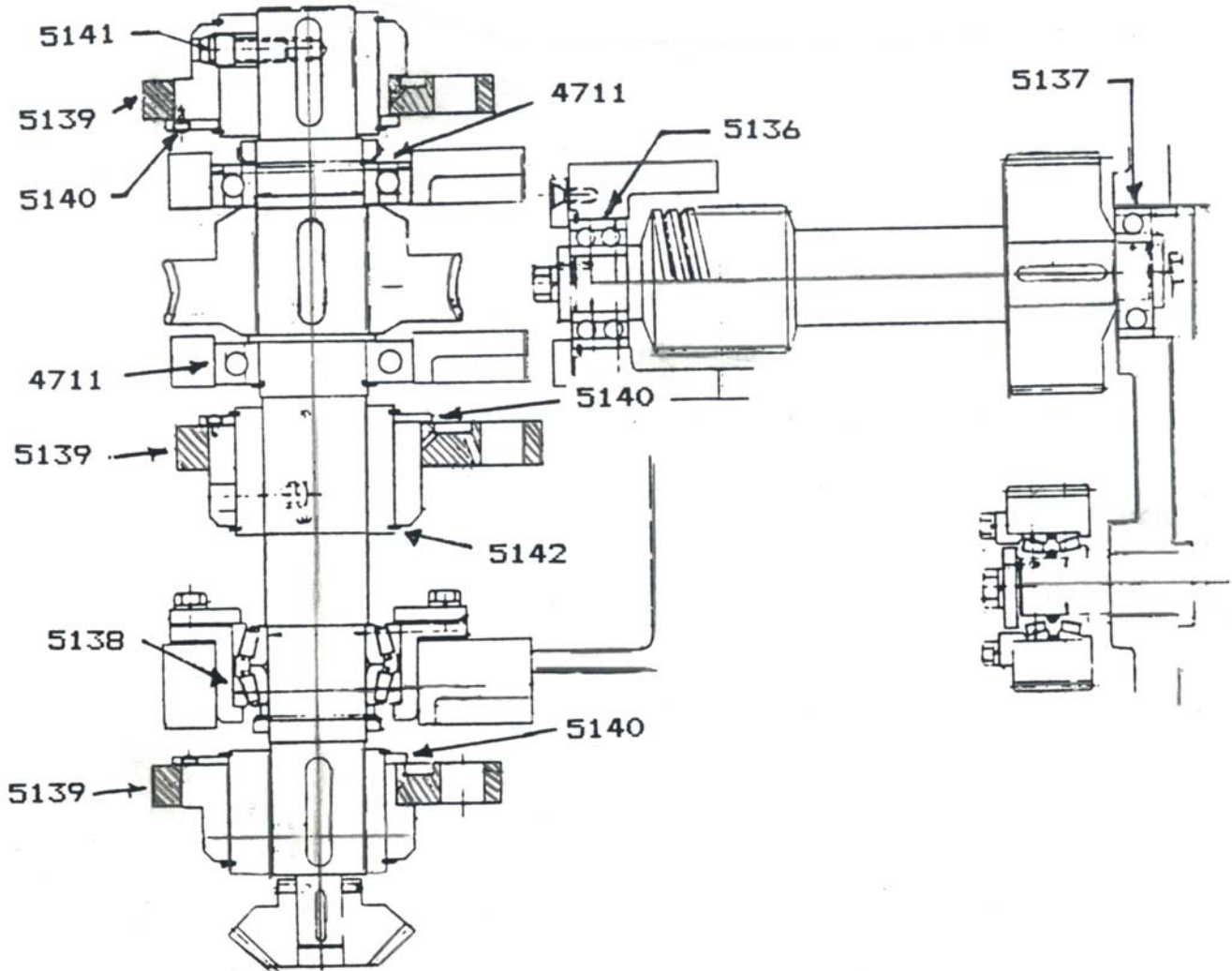
VERTICAL DRIVE SHAFT SHIFTER • METRO & METRO-LINER

STOCK NO.	DESCRIPTION	GOSS PART NO.
4676	Indicator Plate * Rev-Off-Normal	B-114148-0001
4677	Indicator Plate * Off-Normal	B-116527-0001
4678	Reversing Plate	26-5669-A, C66242
4678	Reserving Plate	26-5669-A, C66247
4680	Spring Sleeve	B-114147-0001
4681	Spring	B-116196-0001
4682	Shoulder Screw	B-114144-0001
4683	Clutch Link	B-114142-0002
4684	Screw	891209-1316
4685	Collar	B-040081-1125

www.a-americanpressparts.com

Check our website for updates!

UNIT & HALF-DECK: DRIVE SYSTEM



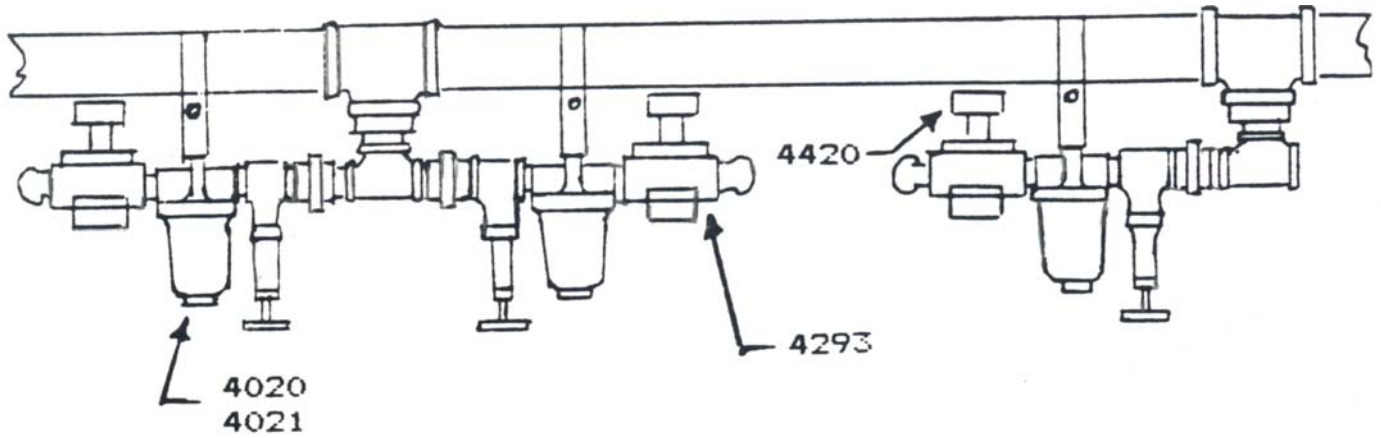
INK VIBRATOR • METRO

STOCK NO.	DESCRIPTION	GOSS PART NO.
4711	Bearing	C-040100-6213
5136	Bearing	722605-2900
4137	Bearing	C-040101-6307
5138	Bearing	722673-1388
5139	Strap	C-080020-25-210
5140	Eccentric Plate	B-133204-0001
5141	Captive Screw	B-117675-0001
5142	Retaining Ring	885400-0137

www.a-americanpressparts.com

Check our website for updates!

UNIT & HALF-DECK: INK SYSTEM



MAIN INK LINE FILTERS & PNEUMATIC SYSTEM

STOCK NO.	DESCRIPTION	GOSS PART NO.
4020	Ink Filter	762948-0004
4021	Ink Filter Element	753525-0010
4293	Air Valve	920500-0065
4420	Air Valve	920502-0065

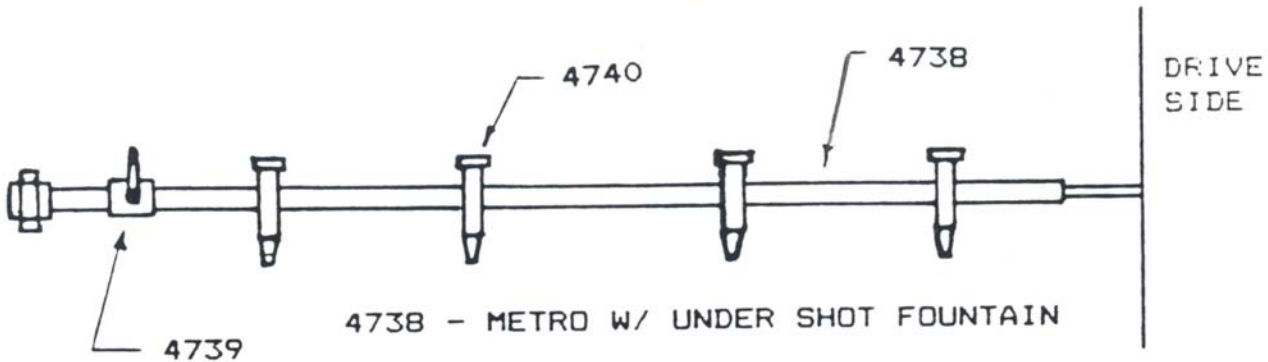
www.a-americanpressparts.com

Check our website for updates!

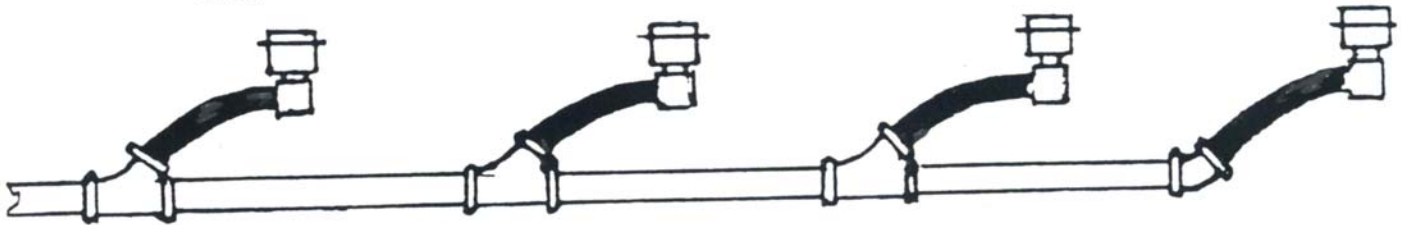
UNIT & HALF-DECK: INK SYSTEM



4042 - METRO



4738 - METRO W/ UNDER SHOT FOUNTAIN



4741 - METRO-LINER



4742 - METRO & METRO-LINER, HALF-DECKS

MAIN INK LINE PIPING • METRO & METRO-LINER

STOCK NO.	DESCRIPTION	GOSS PART NO.
4042	Main Ink Line * 10 - 13 Side	
4738	Feed Piping Assembly	
4739	Main Shut-off Valve	920500-0220
4740	Page Compartment Valve	845500-0250
4741	Main Ink Line * 10 - 13 Side	
4742	Main Ink Line for Decks	

www.a-americanpressparts.com

Check our website for updates!

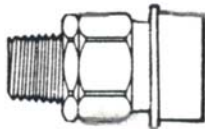
UNIT & HALF-DECK: INK SYSTEM



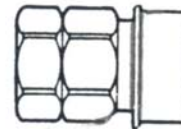
4010



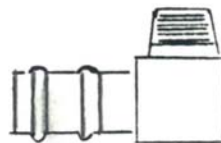
4011



4012



4013



4263

MAIN INK LINE & CANNISTER INK LINE FITTINGS

STOCK NO.	DESCRIPTION	GOSS PART NO.
4010	Plain Nipple for Pac	B-132261-0001
4011	Valved Nipple - Cannister & HD	C-097003-0001
4012	Valved Coupler - Male Pipe Thrd.	865515-0242
4013	Valved Coupler - Female Pipe Thrd.	865515-0242
4263	90° Elbow - Main Ink Line to Pac - ML	

UNIT & HALF-DECK: INK SYSTEM



PAC TO RAIL INK HOSE • FOR WIRE & SLIDE TYPE FITTINGS

STOCK NO.	DESCRIPTION	GOSS PART NO.
4030	Ink Hose Assembly - 9" lg.	
4031	Ink Hose Assembly - 9-1/2" lg.	
4032	Ink Hose Assembly - 10" lg.	
4033	Ink Hose Assembly - 12" lg.	
4034	Ink Hose Assembly - 14" lg.	
4035	Ink Hose Assembly - 16" lg.	
4036	Ink Hose Assembly - 22" lg.	
4037	Ink Hose Assembly - 32" lg.	
4038	Ink Hose Assembly - 36" lg.	



PAC TO RAIL INK HOSE • FOR SCREW TYPE FITTINGS

STOCK NO.	DESCRIPTION	GOSS PART NO.
4026	Ink Hose Assembly - 13" lg.	
4027	Ink Hose Assembly - 14-1/2" lg.	
4028	Ink Hose Assembly - 29" lg.	
4029	Ink Hose Assembly - 37" lg.	



PAC TO RAIL INK HOSE WITH SCREW & SWIVEL TYPE FITTINGS

STOCK NO.	DESCRIPTION	GOSS PART NO.
4426-1	Ink Hose Assembly - 8-1/2" lg.	
4426-2	Ink Hose Assembly - 13-1/4" lg.	
4426-3	Ink Hose Assembly - 16" lg.	
4426-4	Ink Hose Assembly - 20" lg.	
4426-5	Ink Hose Assembly - 29-1/4" lg.	

**** ALL HOSES CAN BE MADE TO CUSTOMER'S SPECIFICATIONS ****

www.a-americanpressparts.com

Check our website for updates!

UNIT & HALF-DECK: INK SYSTEM



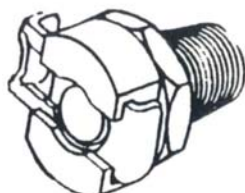
4001



4002



4003



4004



4005



4019

4006



4156



4243



4244



4582

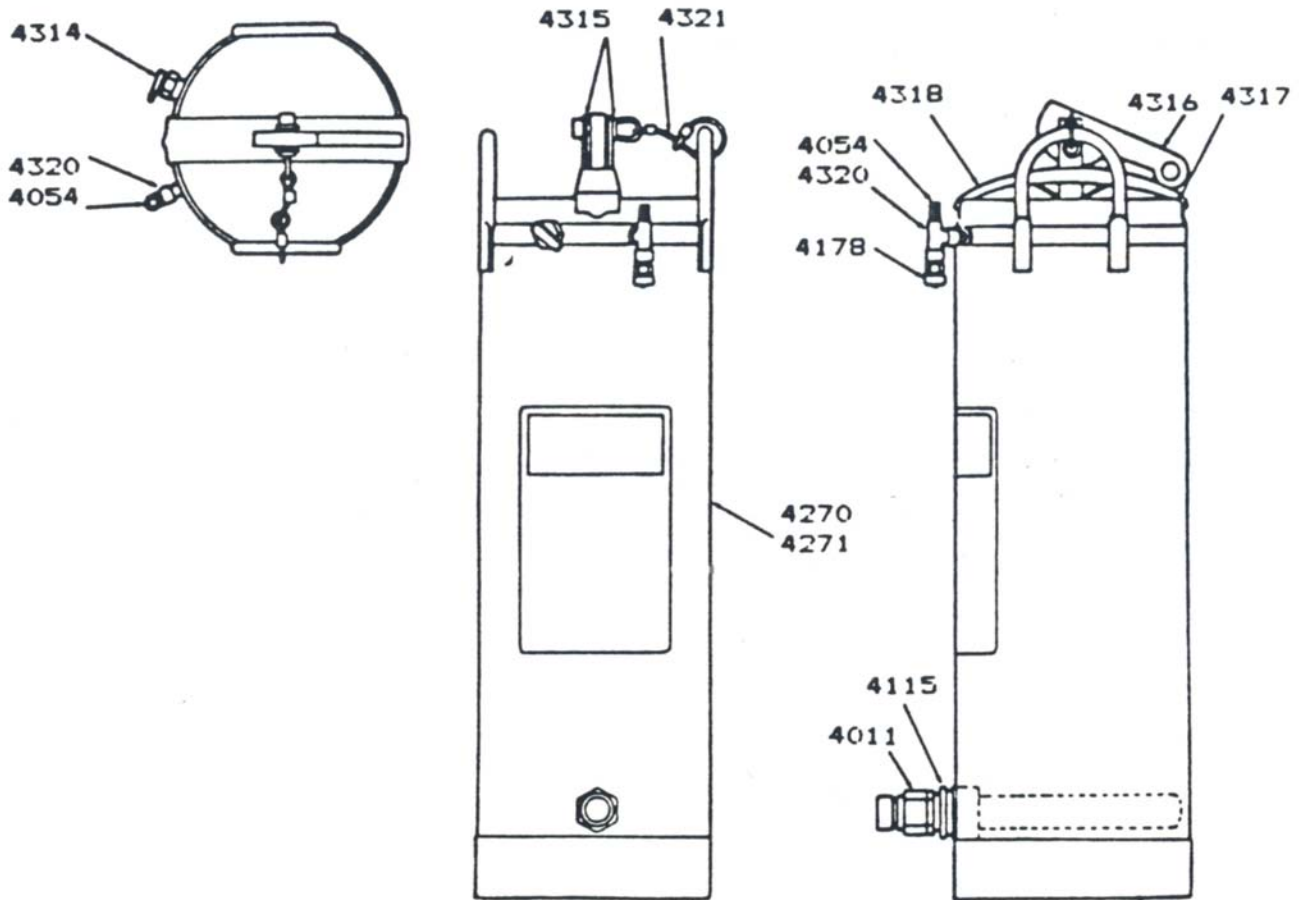
PAC & INK RAIL HOSE FITTINGS

STOCK NO.	DESCRIPTION	GOSS PART NO.
4001	Ink Pac Fitting, Wire Type	711200-0054
4002	Ink Rail Fitting, Wire Type	711200-0053
4003	Wire Clip	884300-0004
4004	Ink Pac Fitting, Slide Type	
4005 *	Ink Pac Fitting, Slide Type	712000-0055
4006 +	Ink Pac Fitting, Slide Type	
4019	Swivel Connector - For Screw Type Hose Assy.	
4156	45° Fitting	
4243	Nipple	
4244	90° Elbow	
4582	Straight Fitting	

* 45° PLAIN

+ 45° WITH INDENTED SLIDE

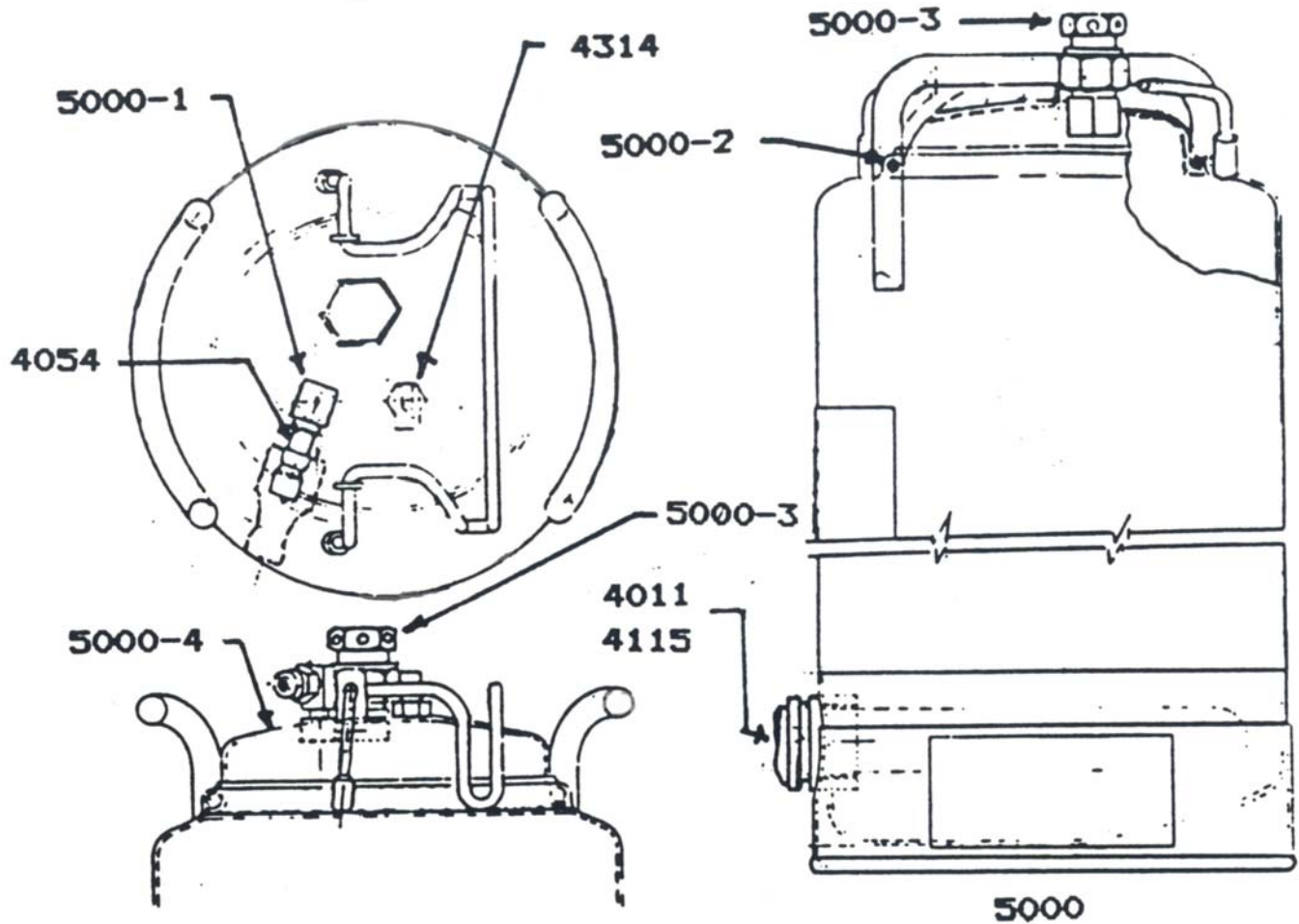
UNIT & HALF-DECK: INK SYSTEM



INK CANNISTER • OLD STYLE

STOCK NO.	DESCRIPTION	GOSS PART NO.
4011	Valved Nipple	865515-0242
4054	Air Feed Nipple	
4115	Ink Filter with Fitting	B-129291-0001
4178	Pop-off Valve with O-ring	E-005337-0008
4271	Ink Cannister - Four Gallon	E-005337-0001
4314	Air Release Valve	
4315	Clip	
4316	Handle	
4317	Gasket	E-005337-0005
4318	Cover Assembly	E-005337-0006
4320	Tee with Restrictor Assembly	E-005337-0010
4321	Wire Rope Assembly	

UNIT & HALF-DECK: INK SYSTEM



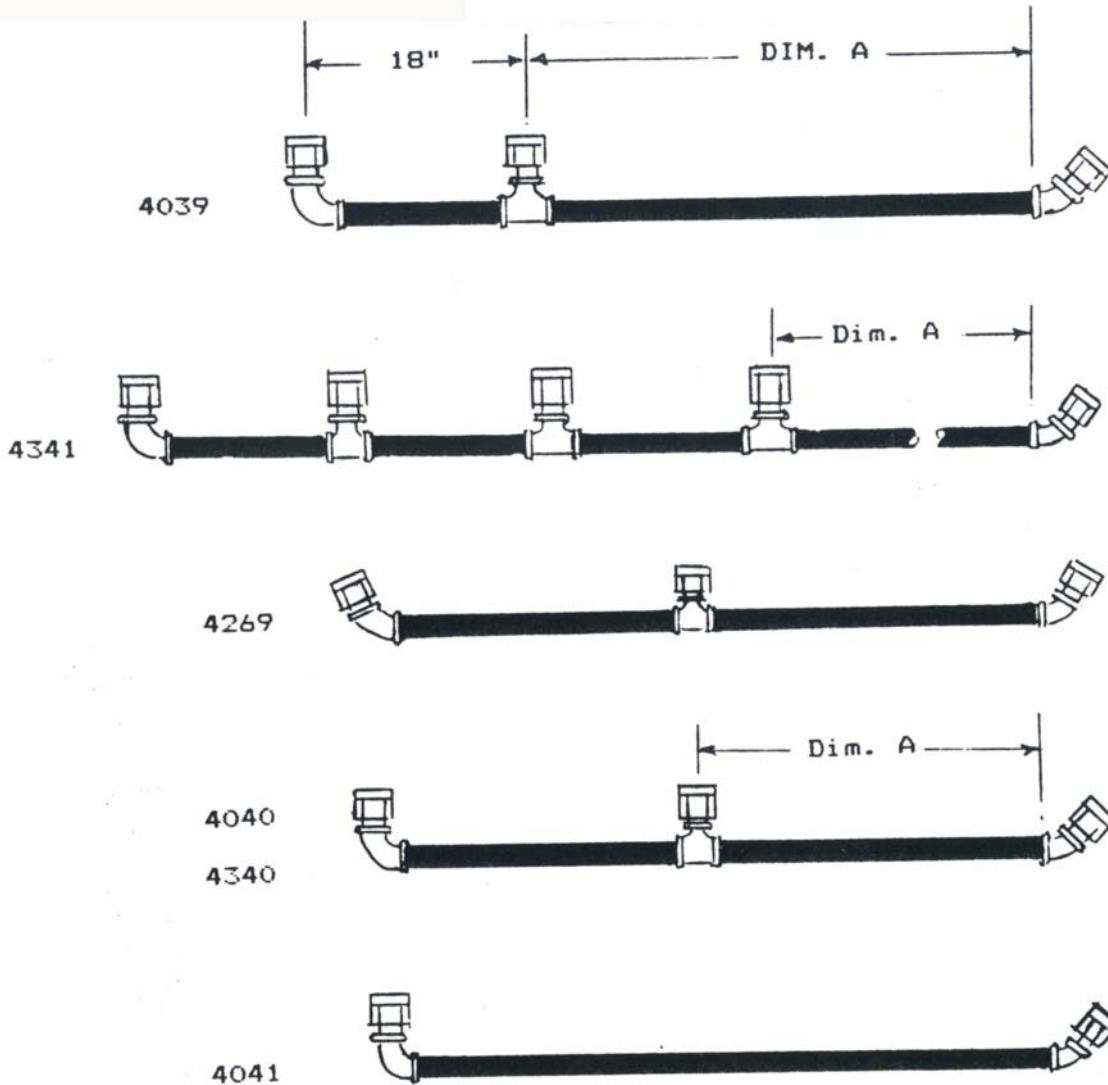
INK CANNISTER ASSEMBLY • NEW STYLE

STOCK NO.	DESCRIPTION	GOSS PART NO.
4011	Valved Nipple	865515-0242
4054	Valved Nipple	
4115	Ink Strainer	B-129291-0001
4314	Air Release Valve	E-005337-0008
5000	Tank & Cover Assembly	ER-012798-0000
5000-1	Elbow	753061-0130
5000-2	O-ring	885454-0432
5000-3	Rupture Assembly Disc	745000-0030
5000-4	Cannister Cover	

www.a-americanpressparts.com

Check our website for updates!

UNIT & HALF-DECK: INK SYSTEM

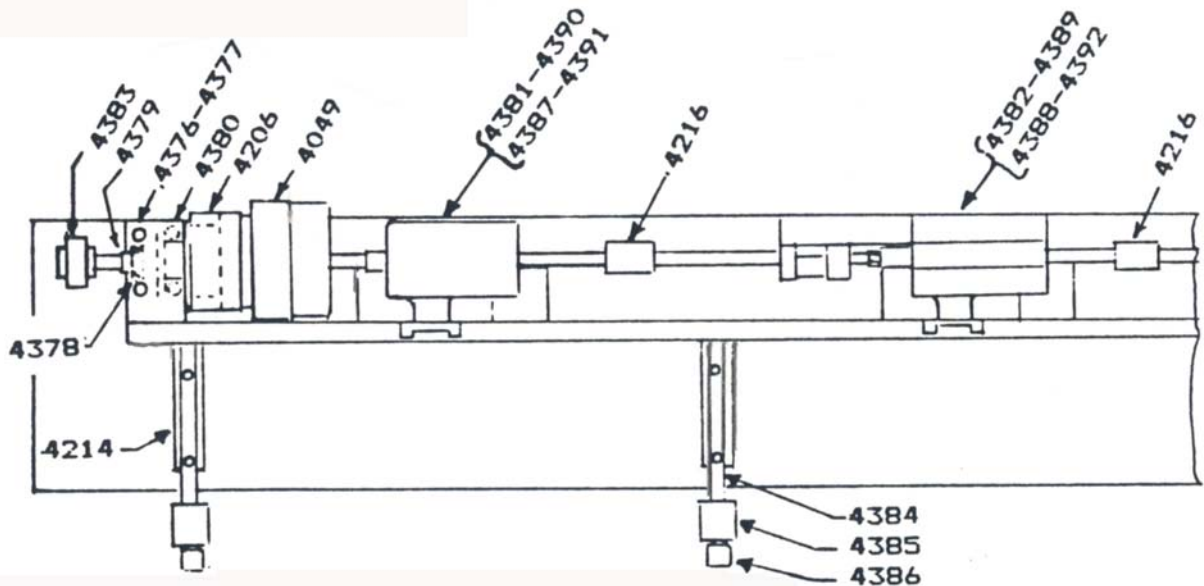


CANNISTER TO PAC INK HOSE ASSEMBLY

STOCK NO.	DESCRIPTION	GOSS PART NO.
4039	Ink Hose Assembly To 2 Pacs	
4040	Ink Hose Assembly To 2 Pacs - 80"	D-029531-0002
4041	Ink Hose Assembly To 1 Pacs	
4269	Ink Hose Assembly To 2 Pacs	
4340	Ink Hose Assembly To 2 Pacs - 53"	D-029534-0003
4341	Ink Hose Assembly To 4 Pacs	

**** ALL HOSES CAN BE MADE TO CUSTOMER'S SPECIFICATIONS ****

UNIT & HALF-DECK: INK SYSTEM



INK PAC DRIVE • MARK V, METRO & METRO-LINER

STOCK NO.	DESCRIPTION	GOSS PART NO.
4049	Clutch	C-734300-0001
4206	Spindle	C-088761-0001
4214	Guide Assembly	B-136114-0001
4216	Coupling	B-131002-0001
4376	Mounting Block - 10 Side	C-088766-0001
4377	Mounting Block - 13 Side	C-088766-0002
4378	Bearing	722605-1066
4379	Bearing Spacer	729457-0050
4380	Bearing	722605-1073
4381 *	Drive Box - Drive 10 Side	E-003022-0001
4382 *	Drive Box - 10 Side	D-027850-0001
4383	Coupling	737832-0001
4384	Guide	B-136302-0001
4385	Stop	
4386	Nut	
4387 *	Drive Box - Drive 13 Side	E-003022-0002
4388 *	Drive Box - 13 Side	D-027850-0002
4389 +	Drive Box - 10 Side	D-030088-0002
4390 +	Drive Box - Drive 10 Side	D-029899-0009
4391 +	Drive Box - Drive 13 Side	D-030088-0001
4392 +	Drive Box - 13 Side	D-030088-0001

* PRE METRO PRESS NO. 3117

* PRE MARK V PRESS NO. 4007

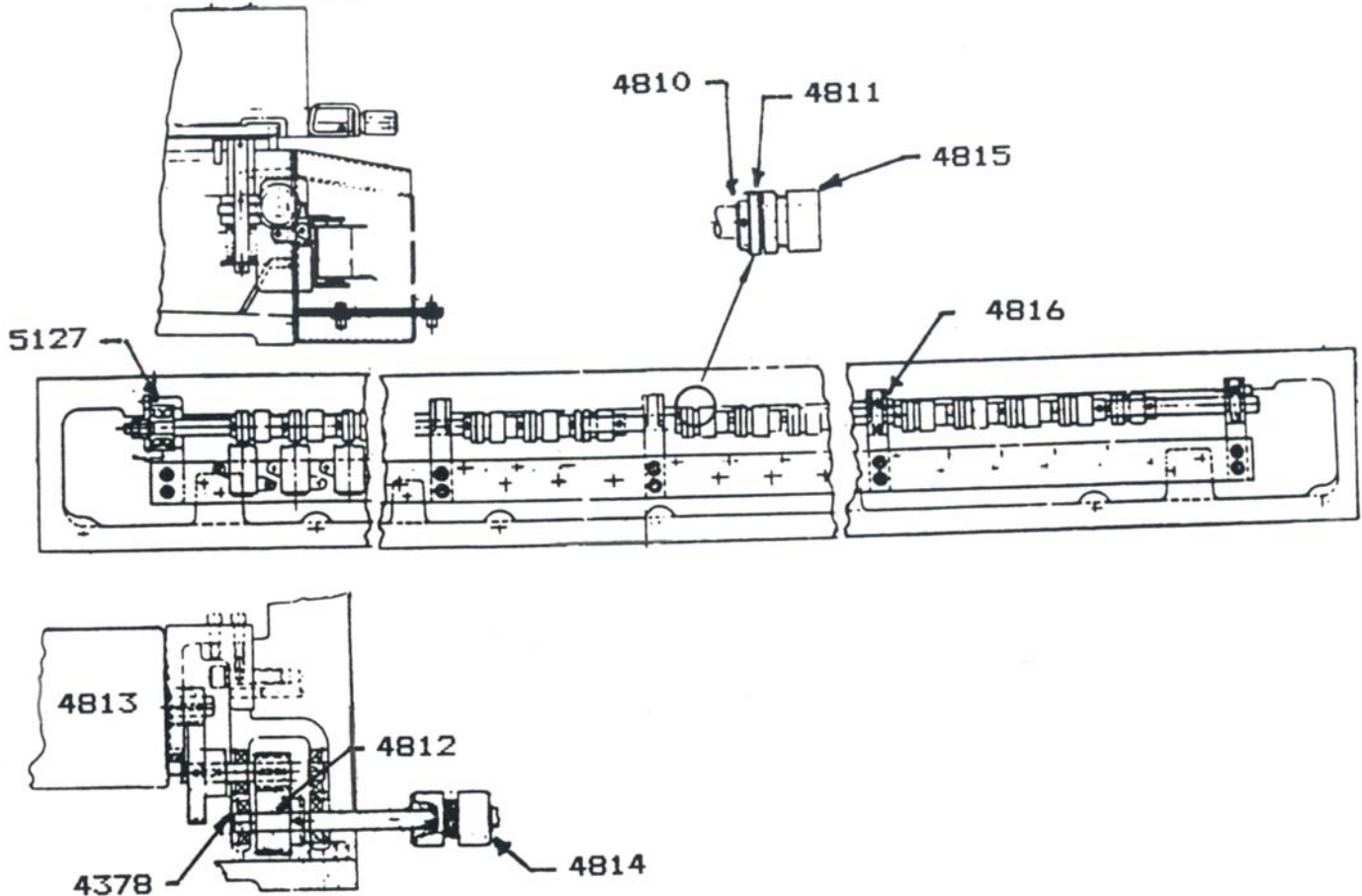
+ POST METRO PRESS NO 3117

+ POST MARK V PRESS NO. 4007

www.a-americanpressparts.com

Check our website for updates!

UNIT & HALF-DECK: INK SYSTEM



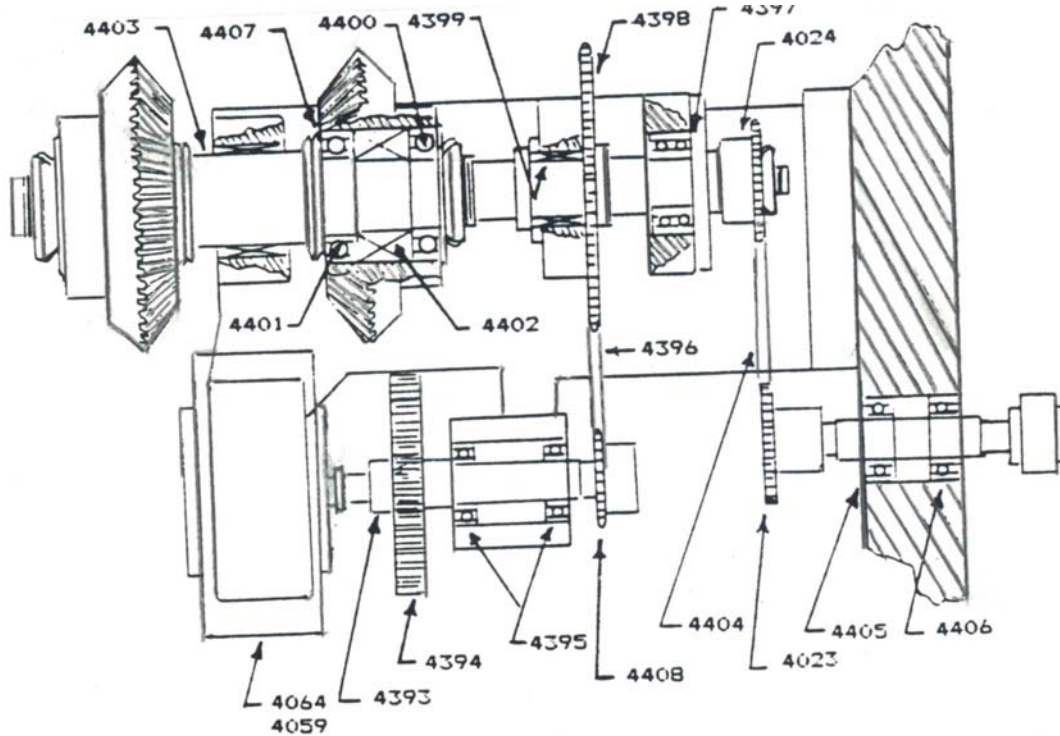
COLORTROL DRIVE • MANUAL & MOTORIZED METRO

STOCK NO.	DESCRIPTION	GOSS PART NO.
4816	Bearing	722605-0225
4810	Clutch Gear	B-066463-0003
4815	Worm Gear	B-132731-0001
4811	Thrust Washer	B-132732-0001
5127	Bearing	722605-2849
4813	Motor	C-090221-0001
4814	Coupling	787032-0062
4812	Gear	B-141024-0001
4378	Bearing	722605-1066

www.a-americanpressparts.com

Check our website for updates!

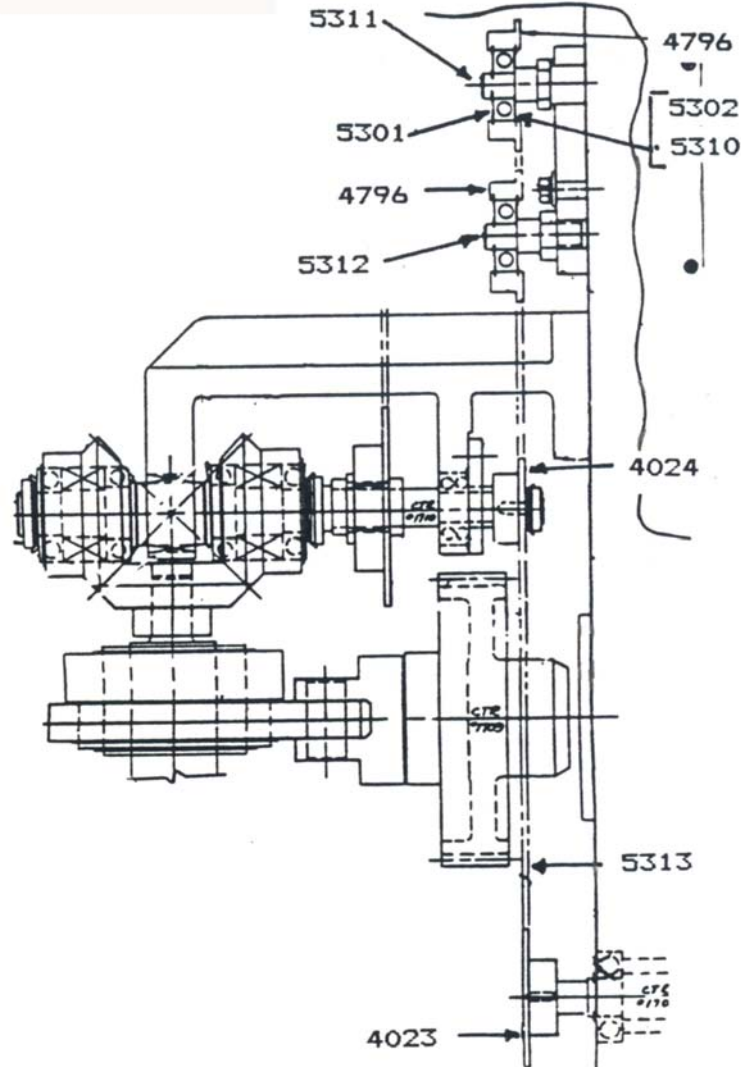
UNIT & HALF-DECK: INK SYSTEM



INK PAC DRIVE & PURGE SYSTEM

STOCK NO.	DESCRIPTION	GOSS PART NO.
4023	Sprocket	B-131132-0001
4024	Sprocket	B-131569-0001
4059	Purge Motor Repair Kit	
4064	Purge Motor	835000-0108
4393	Purge Motor Gear	B-131044-0001
4394	Gear	
4395	Bearing	C-040100-6203
4396	Chain Drive	732403-1059
4397	Bearing	722605-0272
4398	Sprocket	B-131041-0001
4399	Clutch	734300-0010
4400	Bearing	722605-0198
4401	Bearing	722605-1327
4402	Clutch	734312-0206
4403	Bearing	722657-0574
4404	Chain Drive	732403-1046
4405	Bearing	C-040100-6305
4406	Bearing	722605-0289
4407	Disc	897015-6205
4408	Sprocket	

UNIT & HALF-DECK: INK SYSTEM



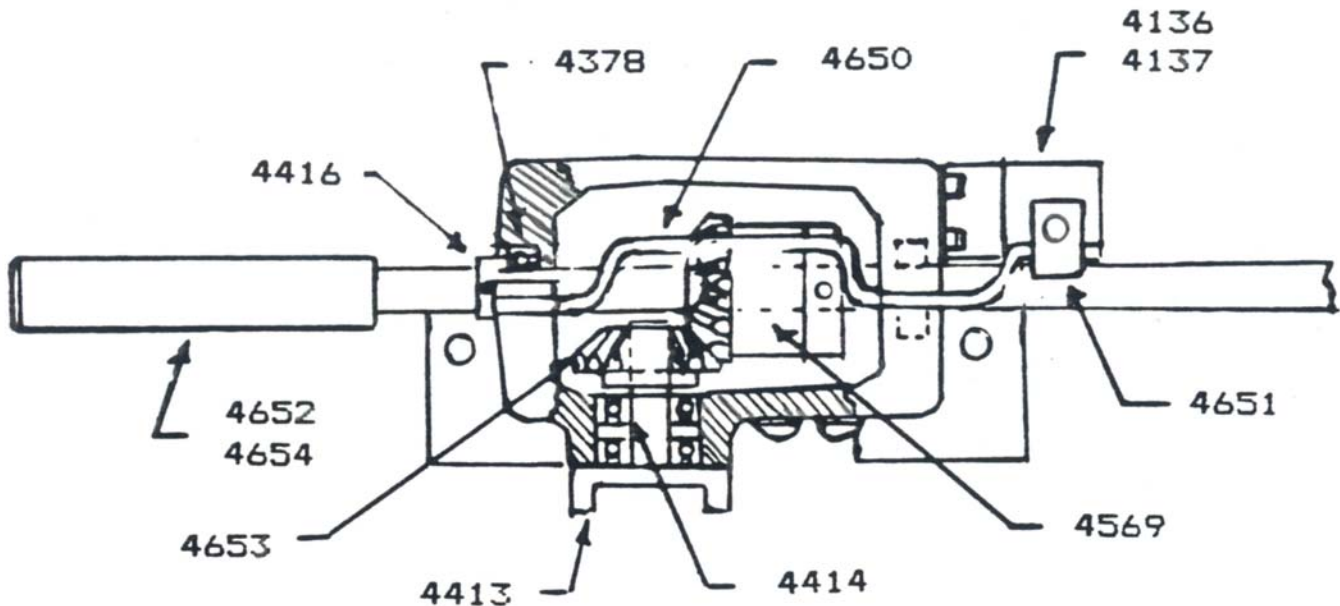
HALF-DECK INK INJECTOR DRIVE • METRO

STOCK NO.	DESCRIPTION	GOSS PART NO.
4023	Sprocket	B-131132-0001
4024	Sprocket	B-131569-0001
4796	Sprocket	B-131058-0001
5301	Bearing	C-040101-6303
5302	Retainer Ring	C-040164-0066
5310	Retainer Ring	885470-0184
5311	Stud	B-131055-0002
5312	Stud	B-131056-0002
5313	Drive Chain	732403-1156

www.a-americanpressparts.com

Check our website for updates!

UNIT & HALF-DECK: INK SYSTEM



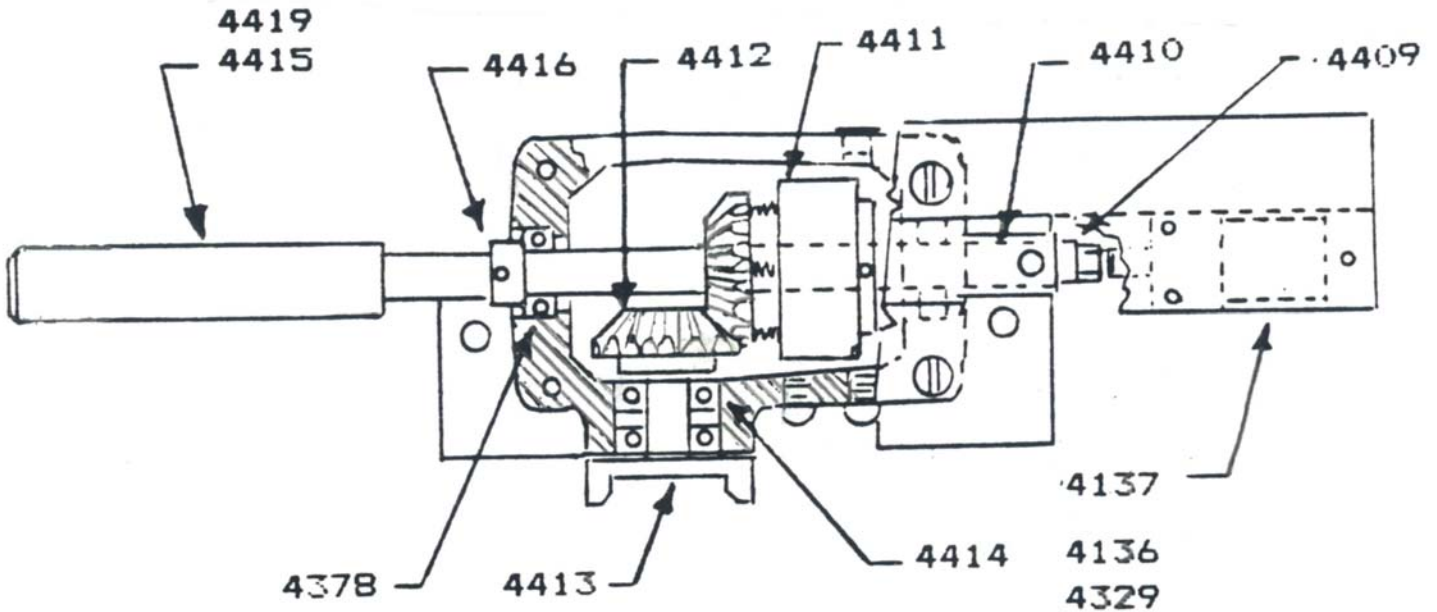
INK PAC DRIVE BOX • OLD STYLE

STOCK NO.	DESCRIPTION	GOSS PART NO.
4136	Air Cylinder	739902-0001
4137	Air Cylinder Repair Kit	
4378	Bearing	722605-1066
4413	Coupling Flange	B-133070-0001
4414	Bearing	722605-1231
4416	Spacer	B-130733-0001
4569	Clutch	C-080050-0002
4650	Wire Stop	B-130398-0001
4651	Clevis	B-130396-0001
4652	Shaft - 10 Side Drive	B-1303915-0001
4653	Gear	C-080050-0001
4654	Shaft - 13 Side Drive	B-1303915-0002

www.a-americanpressparts.com

Check our website for updates!

UNIT & HALF-DECK: INK SYSTEM



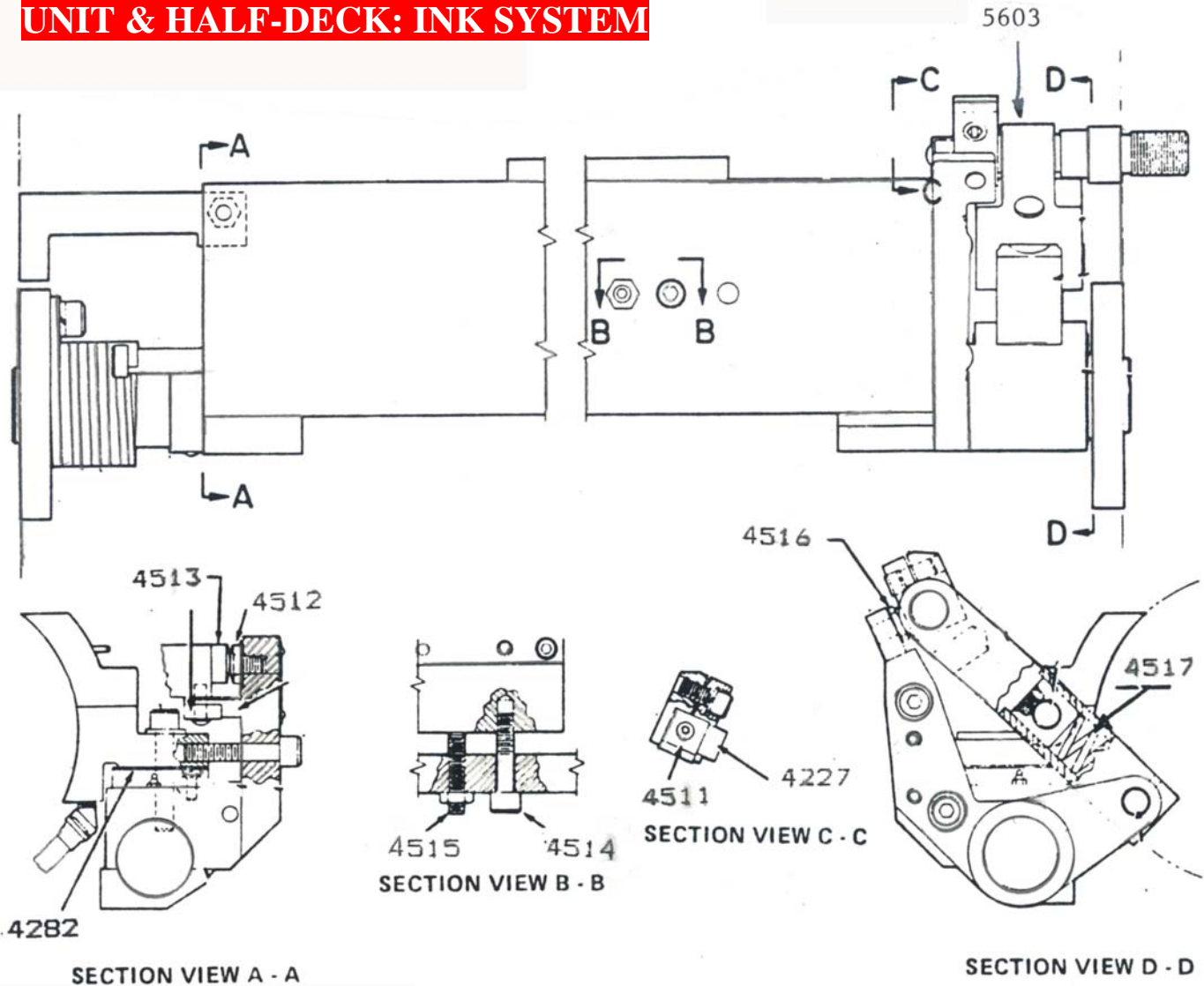
INK PAC DRIVE BOX • NEW STYLE

STOCK NO.	DESCRIPTION	GOSS PART NO.
4136	Air Cylinder	739903-0201
4137	Air Cylinder Repair Kit	
4329	Air Cylinder	739903-0202
4378	Bearing	722605-1066
4409	Clevis	B-140725-0001
4410	Link Arm	B-140723-0001
4411	Clutch Assembly	C-090490-0001
4412	Bevel Gear	C-090244-0001
4413	Coupling Flange	B-133070-0001
4414	Bearing	722605-1231
4415	Shaft - 10 Side Drive	B-139968-0001
4416	Spacer	B-130733-0001
4417	Shaft - 13 Side Assembly	B-139392-0002
4418	Shaft - 10 Side Assembly	B-139392-0001
4419	Shaft - 13 Side Assembly	B-013968-0002

www.a-americanpressparts.com

Check our website for updates!

UNIT & HALF-DECK: INK SYSTEM



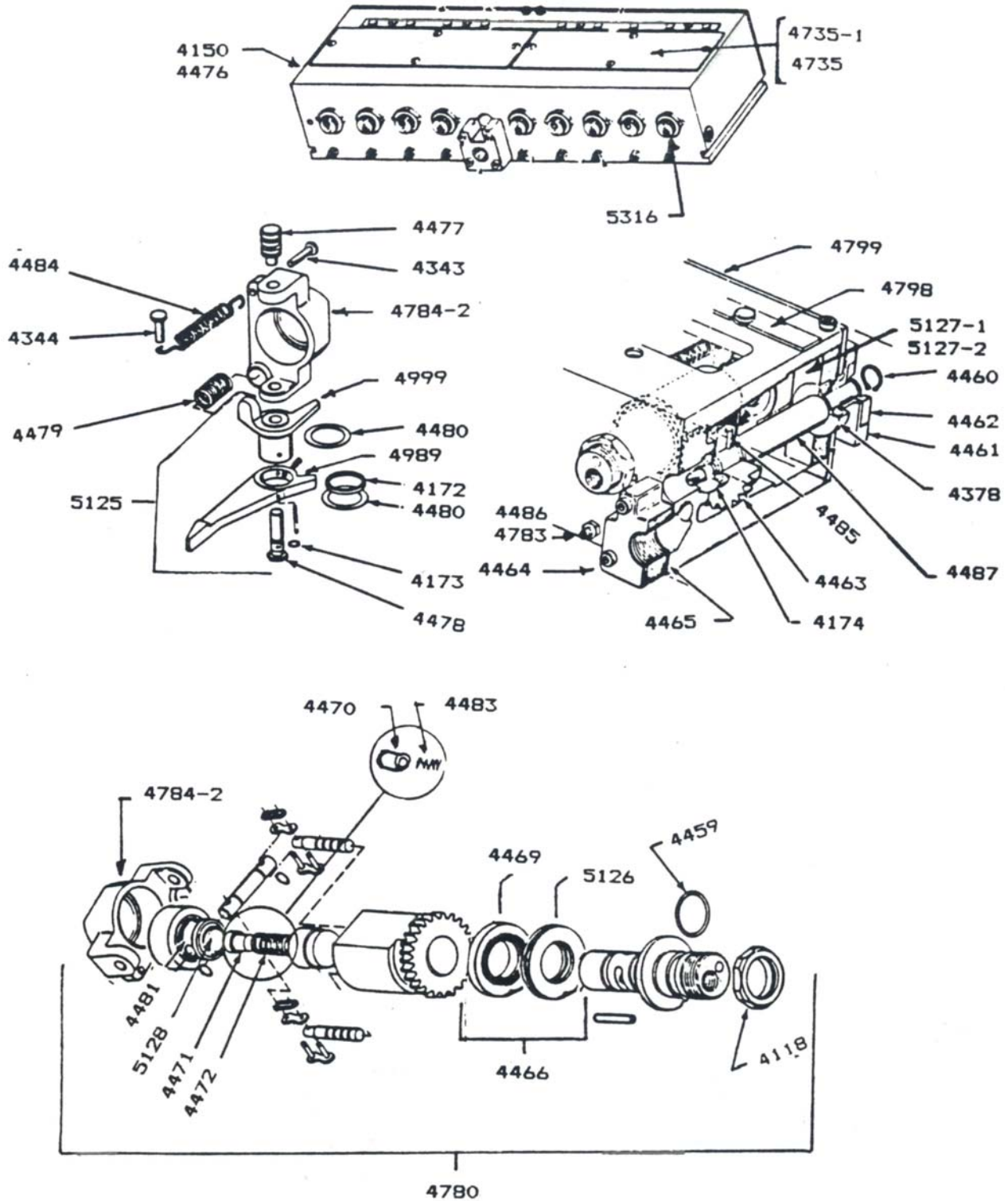
MANUAL INK RAIL • METRO

STOCK NO.	DESCRIPTION	GOSS PART NO.
4227	Bumper	B-132952-0001
4282	Ink Rail shims	B-129169-0001
4511	Bumper Clamp	B-132951-0001
4512	Rail Rest Button - Op. Drive Side	B-132953-0001
4513	Stop Rest Button - Operator Side	729700-0034
4514	Pull Screw	891201-0256
4515	Push Screw	B-129086-0004
4516	Shims for # 4512	B-893818-0004
4517	Spring	897009-0314
5603	Ink Rail Lever	B-80353-0000

www.a-americanpressparts.com

Check our website for updates!

UNIT & HALF-DECK: INK SYSTEM



DOUBLE STROKE INK INJECTOR PAGE PAC ASSEMBLY

www.a-americanpressparts.com
 Check our website for updates!



1-888-434-0888
TOLL FREE

UNIT & HALF-DECK: INK SYSTEM

DOUBLE STROKE INK INJECTOR PAGE PAC ASSEMBLY

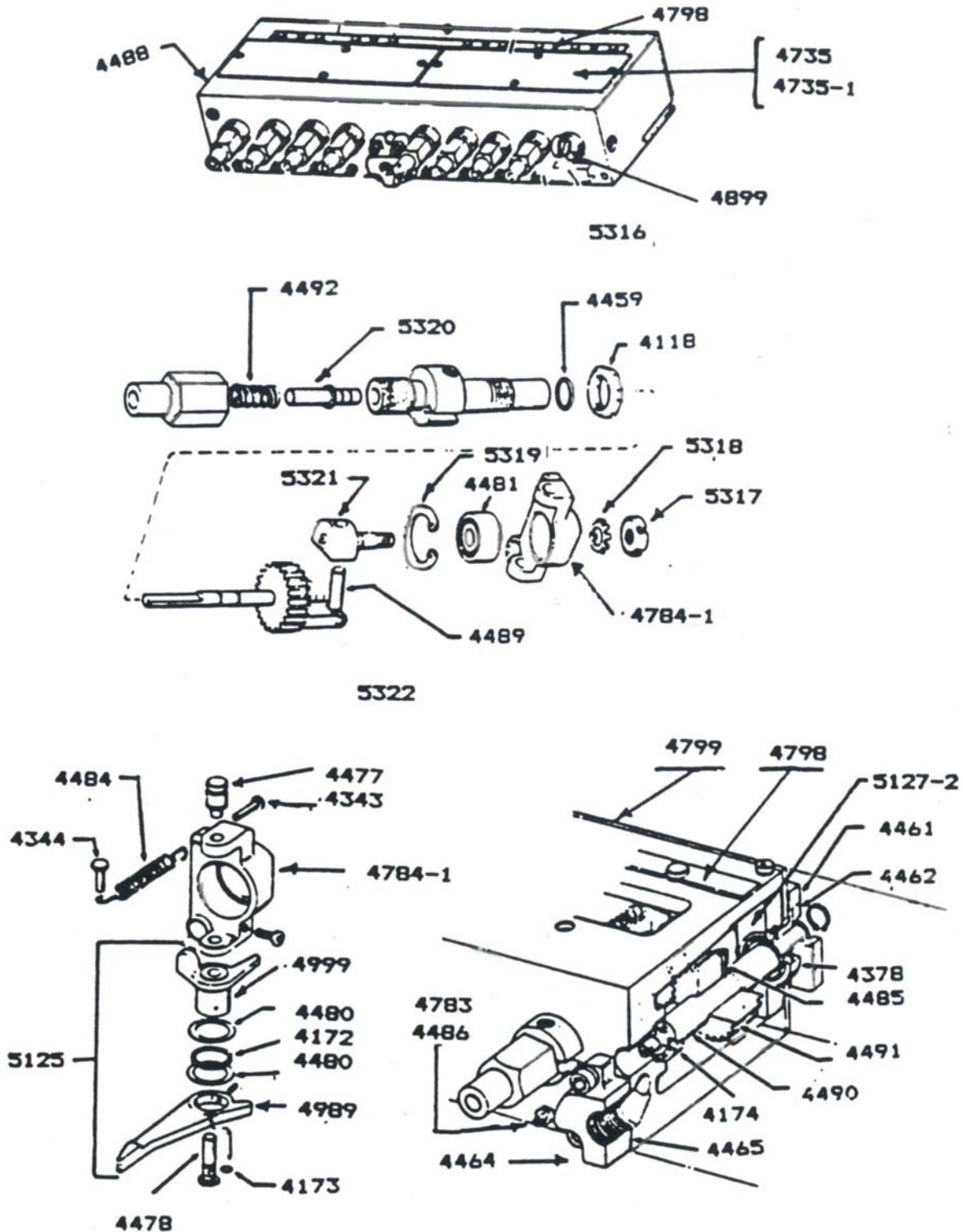
STOCK NO.	DESCRIPTION	GOSS PART NO.
4118	Seal Nut	826378-2018
4150	Double Stroke Page Pac - New	F-004200-0111
4172	Oil Seal	891551-3033
4173	O-ring	C-040161-0006
4174	Bearing	722605-1128
4343	Clevis Pin	863308-1806
4344	Clevis Pin	863308-1804
4378	Bearing	722605-1066
4459	O-ring	885458-1018
4460	Retainer	C-040164-0050
4461	Coupling Flange	B-133069-0001
4462	Center Block	B-132914-6877
4463	Gear	B-130618-0001
4464	Ink Supply Connector	B-130040-6829
4465	Gasket	B-129437-0001
4466	Bearing & Seal Assembly	C-096034-0001
4469	Seal & Spacer Assembly	
4470	Swivel Button	B-145490-0001
4471	Swivel Button	B-128684-0001
4472	Swivel Button Spring	B-131215-0001
4476	Double Stroke Page Pac - Rebuilt	F-004200-0211
4477	Pivot Pin	B-128688-0001
4478	Connecting Pin	B-131727-0001
4479	Spring	B-132889-0001
4480	Washer	B-132908-0001
4481	Bearing	C-040106-5200
4483	Swivel Button Spring	B-145191-0001
4484	Spring	B-128982-0001
4485	Shear Pin	B-144969-0001
4486	Stop Screw	B-131452-0001
4487	Shaft	B-130771-0001
4735	Printed Cover	
4735-1	Plain Cover	
4780	Pump Assembly	
4783	Nut	C-040149-2528
4784-2	Swivel	
4798	Pivot Holddown Plate	C-078366-0001
4799	Back Plate	C-080455-0001
4989	Adjusting Lever Link	B-131728-0001
4999	Memory Link	B-131729-0001
5125	Memory Link Assembly	
5126	Thrust Bearing	
5127-1	Bearing Bracket - 4 Screw	B-130709-0001
5127-2	Bearing Bracket - 3 Screw	B-145906-0001
5128	Swivel	B-128685-0001
5316	Plug	B-131072-0001

**** INK INJECTOR PAGE PAC REPAIRS AVAILABLE ****

www.a-americanpressparts.com

Check our website for updates!

UNIT & HALF-DECK: INK SYSTEM



SINGLE STROKE INK INJECTOR PAGE PAC ASSEMBLY



1-888-434-0888
TOLL FREE

UNIT & HALF-DECK: INK SYSTEM

SINGLE STROKE INK INJECTOR PAGE PAC ASSEMBLY

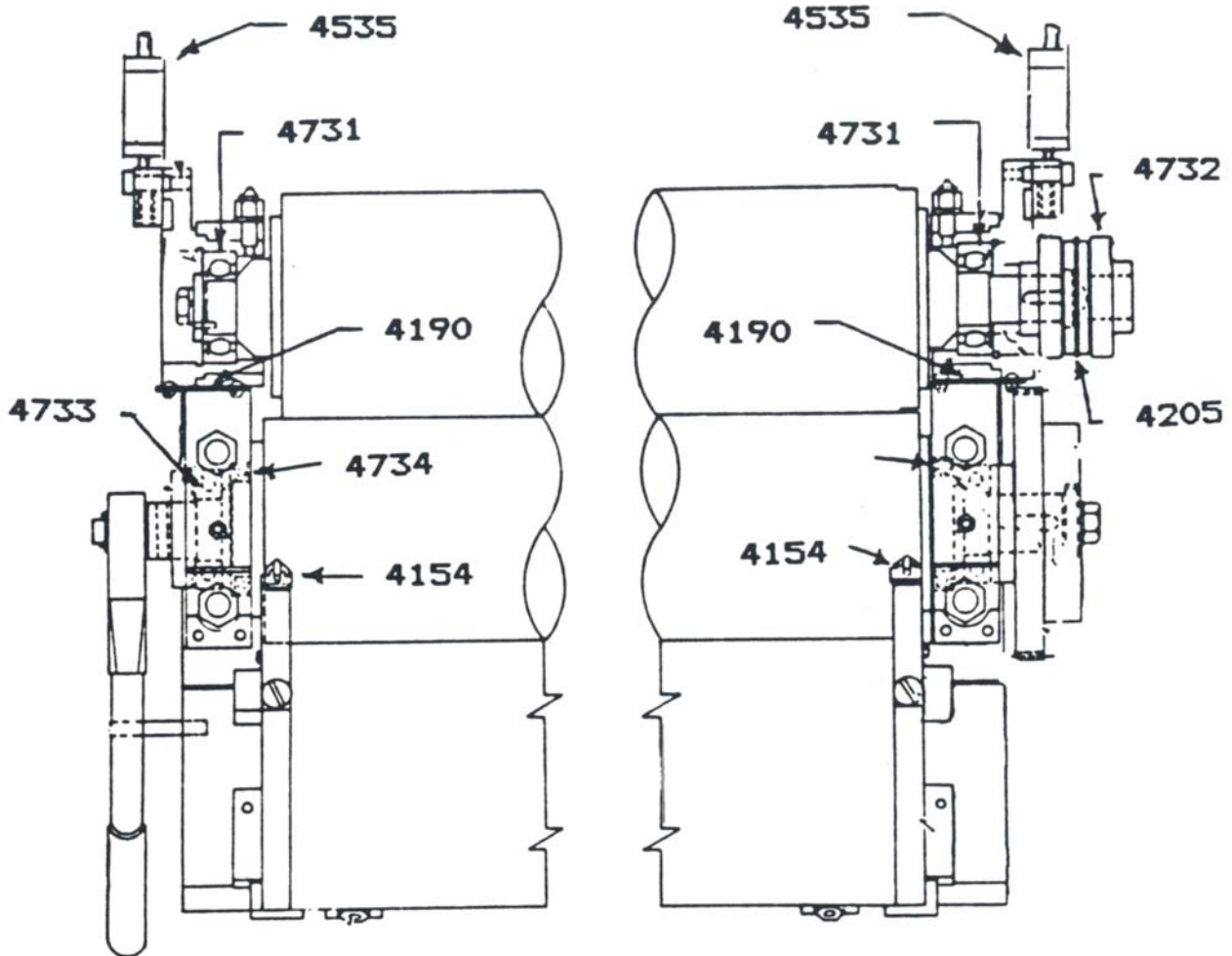
STOCK NO.	DESCRIPTION	GOSS PART NO.
4118	Seal Nut	826378-2018
4172	Oil Seal	891551-3033
4173	O-ring	C-040161-0006
4174	Bearing	722605-1128
4343	Clevis Pin	863308-1806
4344	Clevis Pin	863308-1804
4378	Bearing	722605-1066
4459	O-ring	885458-1018
4461	Coupling Flange	B-133069-0001
4462	Center Block	B-132914-6877
4464	Connector	B-130040-6829
4465	Gasket	B-129437-0001
4477	Pin	B-128688-0001
4478	Connecting Pin	B-131727-0001
4480	Washer	B-132908-0001
4481	Bearing	C-040106-5200
4484	Spring	B-128982-0001
4485	Shear Pin	B-144969-0001
4486	Adjusting Screw	B-131452-0001
4488	Single Stroke Ink Page Pac	004717-0111
4489	Swivel Pin	B-148588-0001
4490	Drive Shaft	C-100697-0001
4491	Gear	C-100695-0001
4492	Spring	897009-0374
4783	Nut	C-040149-2528
4784-1	Swivel	C-100696-0001
4798	Pivot Holdown Plate	C-078366-0001
4799	Back Plate	C-080455-0001
4899	Dip Stick	B-148826-0001
4989	Adjusting Lever Link	B-131728-0001
4999	Memory Link	B-131729-0001
5125	Memory Link Assembly	
5127-2	Bearing Bracket	B-145906-0001
5316-1	Plug	B-131072-0001
5317	Locknut	C-040123-0100
5318	Lockwasher	C-040124-0100
5319	Retaining Ring	885470-0904
5320	Piston	B-148506-0001
5321	Eccentric	C-100694-0001
5322	Pin	B-148725-0001

**** INK INJECTOR PAGE PAC REPAIRS AVAILABLE ****

www.a-americanpressparts.com

Check our website for updates!

UNIT & HALF-DECK: INK SYSTEM



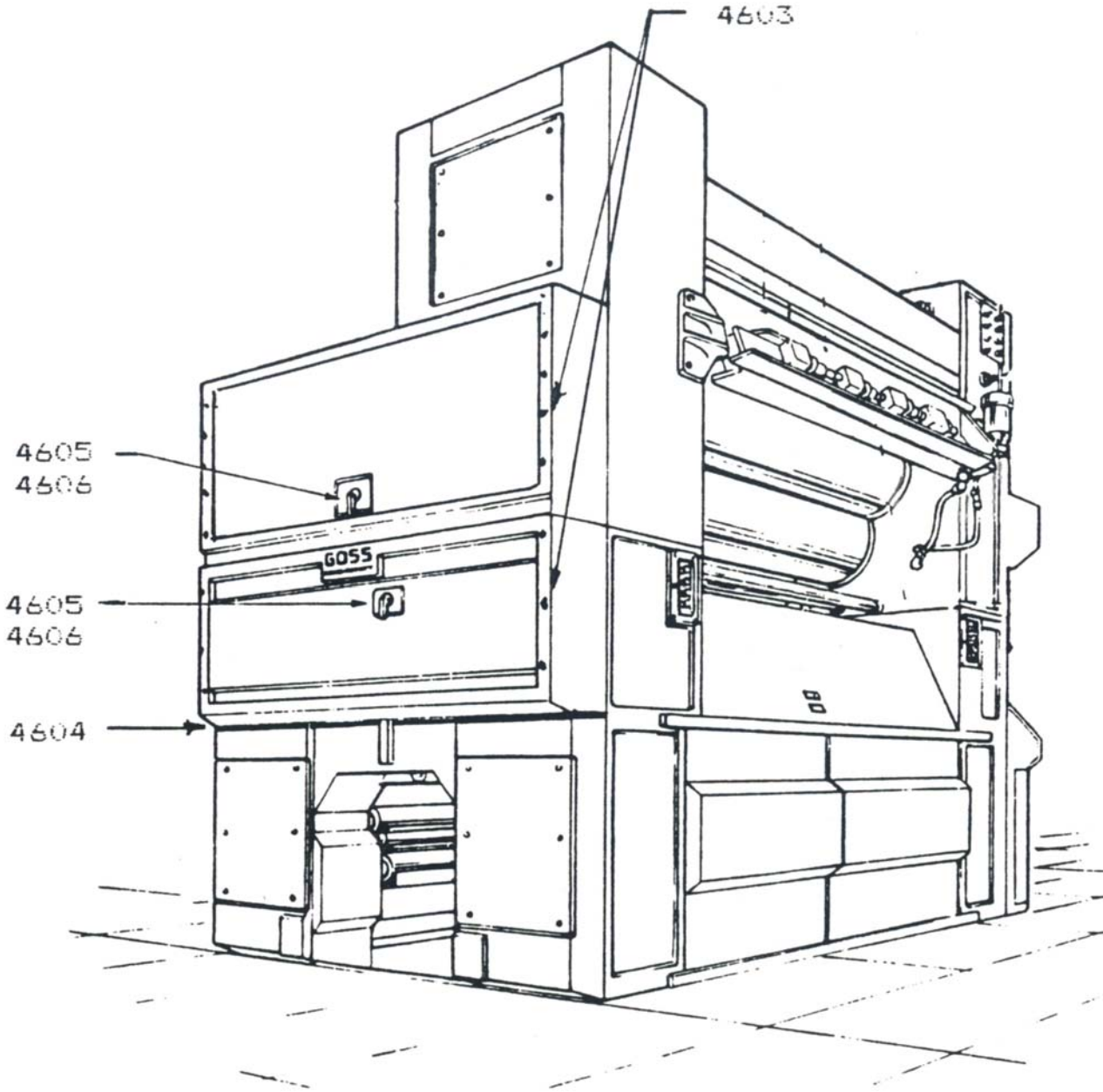
UNDER SHOT FOUNTAIN & PICK-UP ROLLER ASSEMBLY

STOCK NO.	DESCRIPTION	GOSS PART NO.
4154	Fountain Seal	C-084792-0001
4190	Shim Set	B-115988-0001
4205	Sleeve	737832-0090
4535	Air Cylinder	B-116658-0011
4731	Pick-up Roller Bearing	722673-0070
4732	Coupling	737832-0090
4733	Fountain Roller Bearing	722605-0580
4734	Fountain Roller Seal	891157-2098

www.a-americanpressparts.com

Check our website for updates!

UNIT & HALF-DECK: GUARDS



DRIVE SIDE

STOCK NO.	DESCRIPTION	GOSS PART NO.
4603	Allen Screw (3/8" x 8" lg.)	C-040132-3780
4604	Rubber Gasket	888653-0005
4605	Latch	822800-0020
4606	Latch Plate	B-117009-0001

www.a-americanpressparts.com

Check our website for updates!

UNIT & HALF-DECK: GUARDS

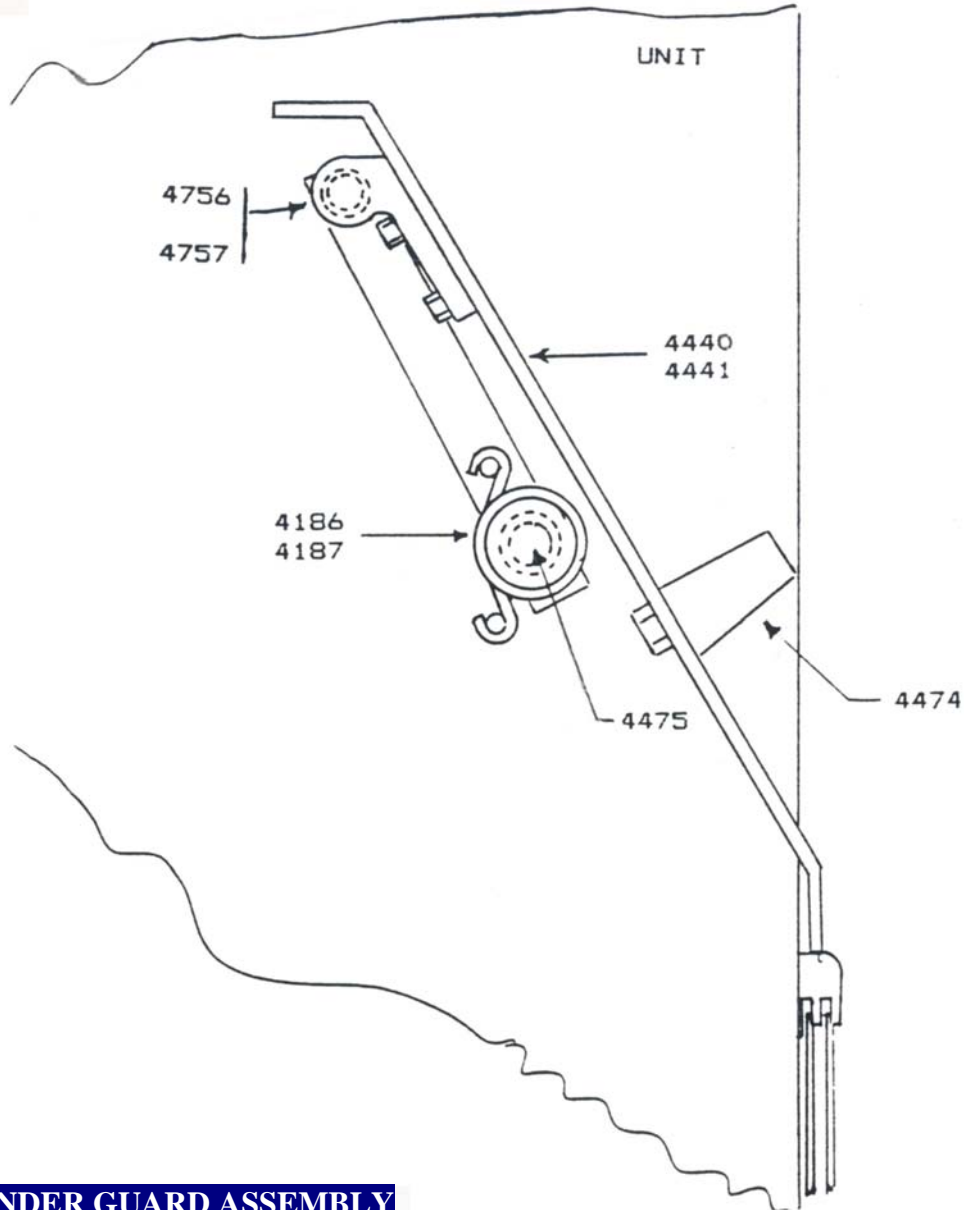


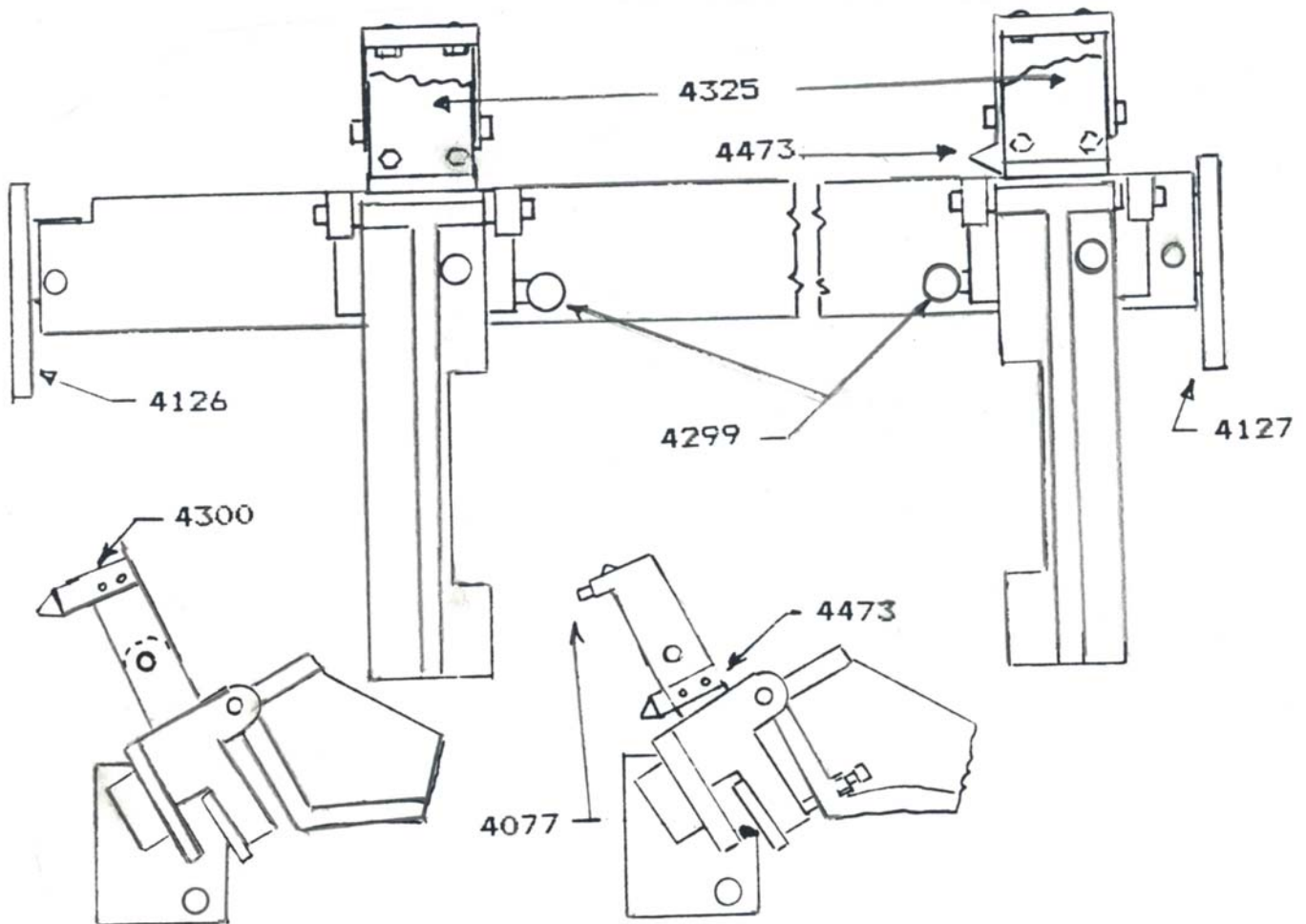
PLATE CYLINDER GUARD ASSEMBLY

STOCK NO.	DESCRIPTION	GOSS PART NO.
4440	Plate Cylinder Guard	D-028461-0001
4441	Plate Cylinder Guard	D-028461-0002
4186	Guard Spring - RH	C-071815-0001
4187	Guard Spring - LH	C-071815-0002
4474	Handle	C-086272-0001
4475	Stripper Bolt	C-040131-7522
4756	Hinge - CI	B-149669-0001
4757	Hinge - Steel	

www.a-americanpressparts.com

Check our website for updates!

UNIT & HALF-DECK: GUARDS



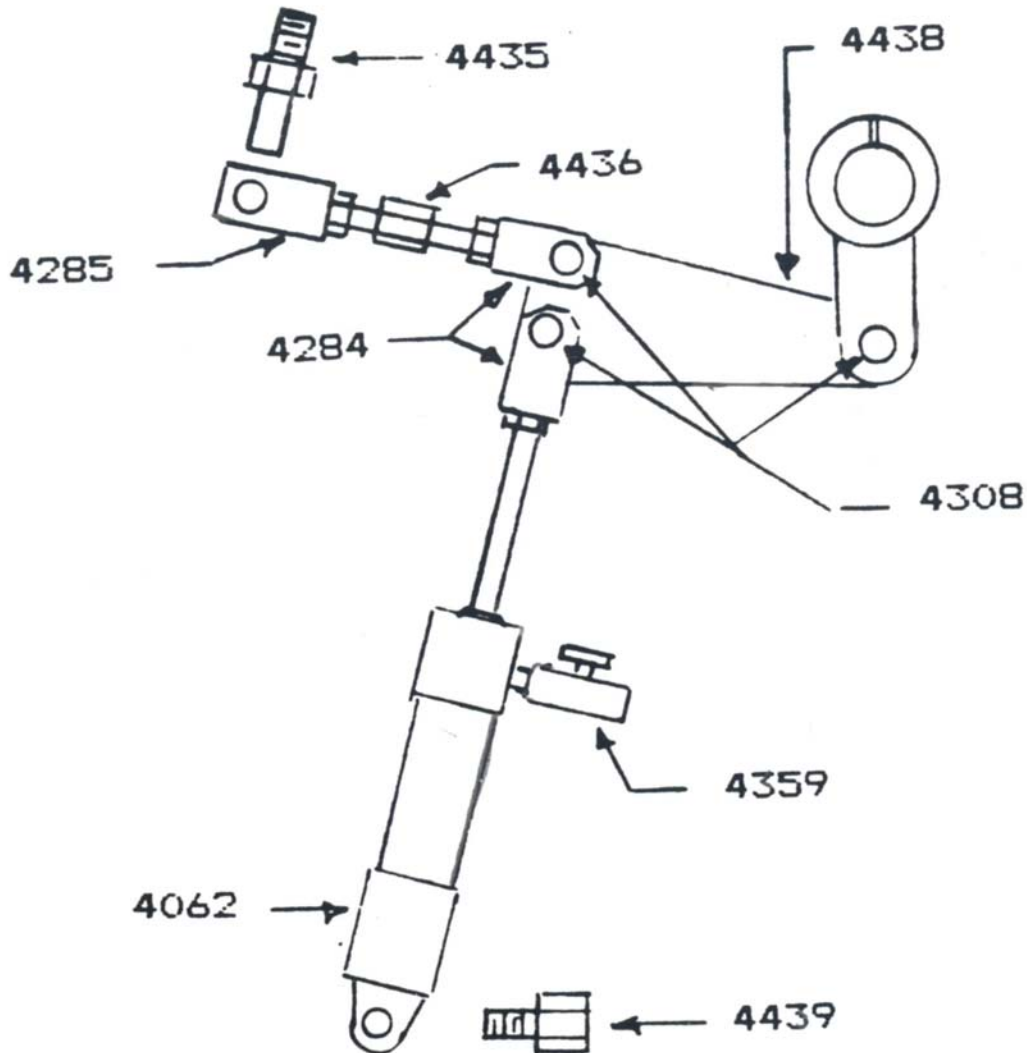
FINGER GUARD & BEARER WIPER ASSEMBLY

STOCK NO.	DESCRIPTION	GOSS PART NO.
4077	Wiper Felt	116980-0101
4126	Bracket	C-099421-0002
4127	Bracket	C-099421-0001
4299	Oil Cup (90°)	739157-0101
4300	Timing Pointer	B-098556-0001
4325	Spring Retainer	B-116986-0001
4473	Timing Pointer	B-125715-0001

www.a-americanpressparts.com

Check our website for updates!

UNIT & HALF-DECK: INKFEED SYSTEM



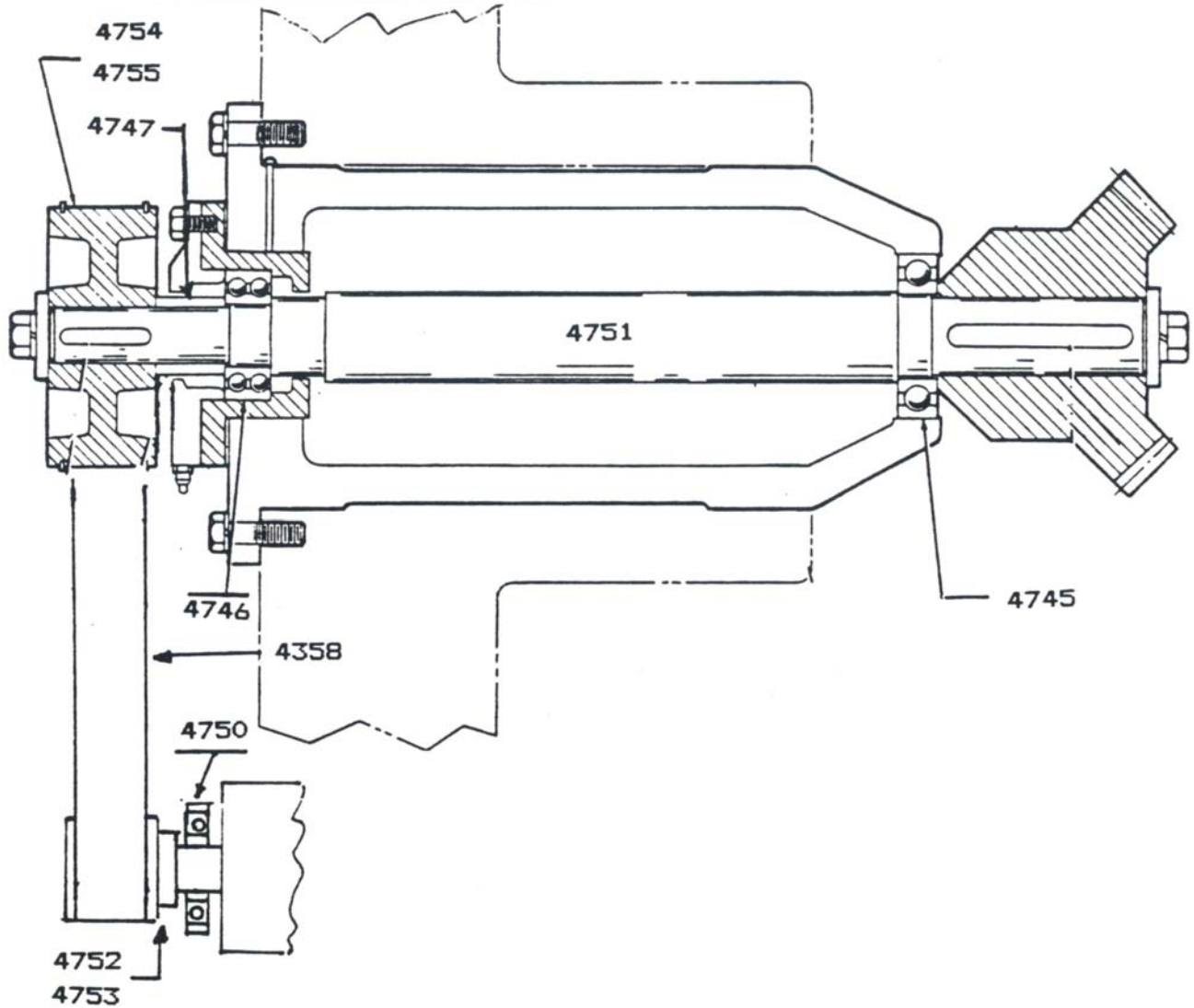
INFEEED LINKAGE • METRO

STOCK NO.	DESCRIPTION	GOSS PART NO.
4062	Air Cylinder	B-116658-0008
4284	Clevis	B-121259-0001
4285	Pivot	B-121254-0001
4308	Pin	B-121258-0001
4359	Air Control Valve	920500-0066
4435	Pivot Stud	B-121255-0001
4436	Turnbuckle	B-121257-0001
4438	Link	B-121261-0001
4439	Pivot	C-115928-0001

www.a-americanpressparts.com

Check our website for updates!

UNIT & HALF-DECK: INKFEED SYSTEM



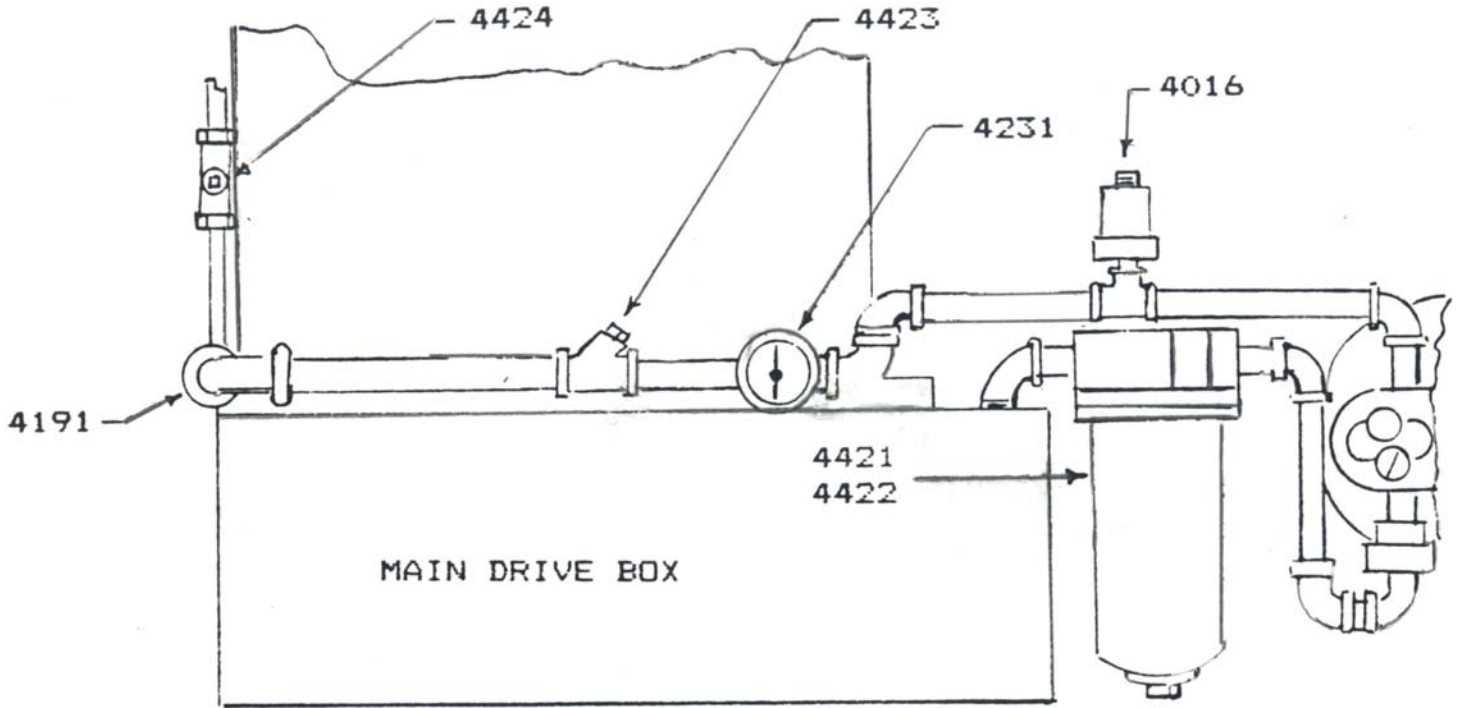
INFEED DRIVE ASSEMBLY • METRO

STOCK NO.	DESCRIPTION	GOSS PART NO.
4358	Timing Belt	723675-0358
4745	Bearing	722605-0566
4746	Bearing	C-040108-5206
4747	Spacer	C-040064-2515
4750	Infeed Roller Bearing	722607-0116
4751	Shaft	C-066245-0001
4752	Infeed Pulley (40 Grooves)	C-067543-0001
4753	Infeed Pulley (36 Grooves)	C-067543-0001
4754	Pulley (30 Grooves)	C-067504-0001
4755	Pulley (26 Grooves)	C-067505-0001

www.a-americanpressparts.com

Check our website for updates!

UNIT & HALF-DECK: LUBRICATION SYSTEM



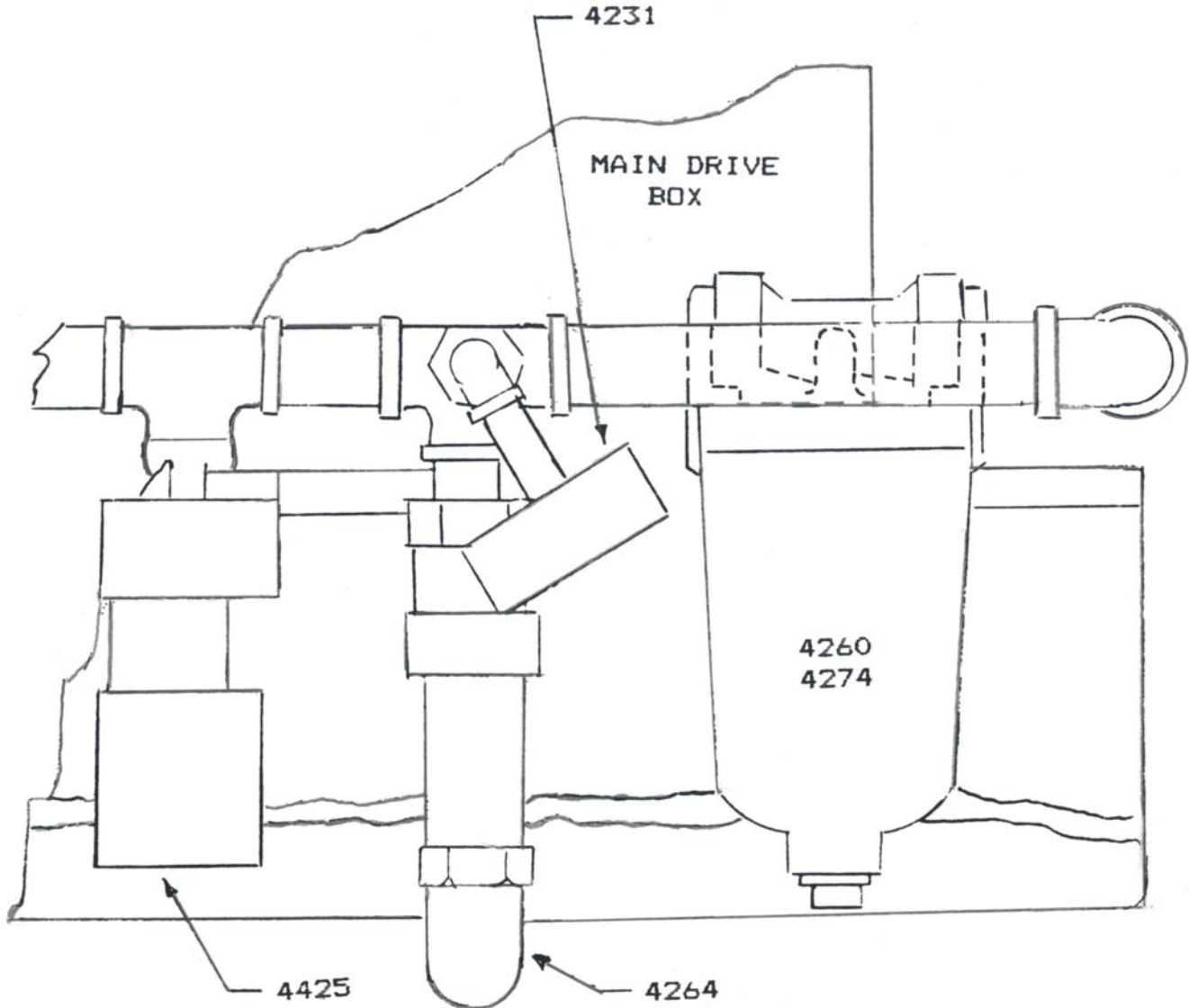
MAIN DRIVE BOX WITH ELECTRIC PUMP • METRO

STOCK NO.	DESCRIPTION	GOSS PART NO.
4016	Pressure Switch	899765-0001
4191	90° Elbow	727861-0216
4231	Pressure Gage	771529-0500
4421	Filter	762965-0008
4422	Filter Element	
4423	Check Valve	920509-0005
4424	Valve w/Shield	920525-0012

www.a-americanpressparts.com

Check our website for updates!

UNIT & HALF-DECK: LUBRICATION SYSTEM



MAIN DRIVE BOX WITH GEAR DRIVEN PUMP • METRO

STOCK NO.	DESCRIPTION	GOSS PART NO.
4231	Pressure Gage	771500-0500
4260	Filter	762948-0081
4264	Relief Valve	920567-0014
4274	Filter Element	
4425	Pressure Switch	899765-0050

www.a-americanpressparts.com

Check our website for updates!

UNIT & HALF-DECK: LUBRICATION SYSTEM



GREASE HOSE ASSEMBLY

STOCK NO.	DESCRIPTION	GOSS PART NO.
4495	Grease Hose	787552-0014
4496 ALL H	Grease Hose Assembly, 18" lg.	**SPECIFICATIONS**
4497	Grease Hose Assembly, 24" lg.	
4498	Grease Hose Assembly, 36" lg.	
4499	Grease Hose Assembly, 48" lg.	



4155



4494



4156



4157






4493

GREASE HOSE FITTINGS

STOCK NO.	DESCRIPTION	GOSS PART NO.
4155	90^ Male Elbow	
4156	45^ Male Elbow	
4157	Male Branch Tee	C-040052-3221
4493	Male Straight Connector	
4494	Swivel Fitting	C-040050-3012

UNIT & HALF-DECK: LUBRICATION SYSTEM

HI-DUTY FITTINGS

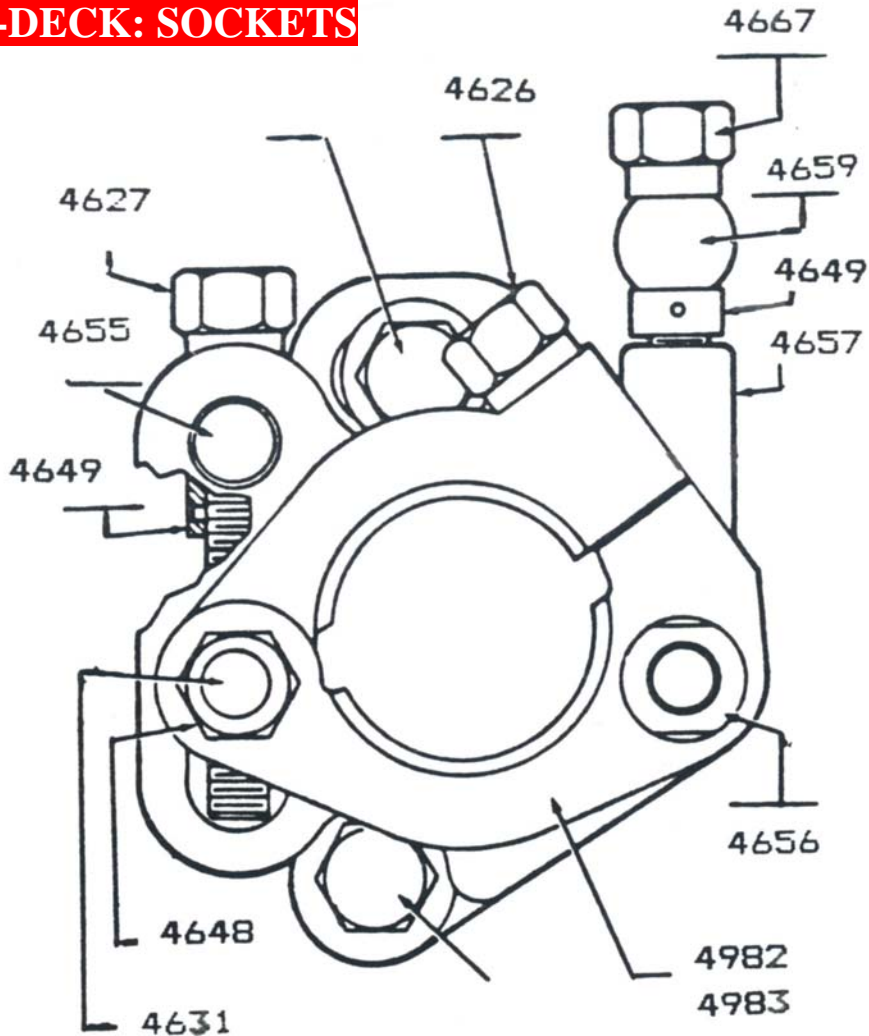
STOCK NO.	DESCRIPTION	GOSS PART NO.
9800	Nut (3/16" Tube)	
9801	Nut (1/4" Tube)	
9802	Nut (5/16" Tube)	
9803	Nut (3/8" Tube)	
9804	Nut (1/2" Tube)	
9805	Nut (5/8" Tube)	
9806	Nut (3/4" Tube)	
9807	Union (3/16" Tube)	
9808	Union (1/4" Tube)	
9809	Union (5/16" Tube)	
9810	Union (3/8" Tube)	
9811	Union (1/2" Tube)	
9812	Union (5/8" Tube)	
9813	Union (3/4" Tube)	
9814	Male Connector (3/16" Tube x 1/8" MPT)	
9815	Male Connector (1/4" Tube x 1/8" MPT)	
9816	Male Connector (5/16" Tube x 1/8" MPT)	
9817	Male Connector (3/8" Tube x 1/8" MPT)	
9818	Male Connector (3/8" Tube x 1/4" MPT)	
9819	Male Connector (1/2" Tube x 1/2" MPT)	
9820	Male Connector (5/8" Tube x 1/2" MPT)	
9821	Male Connector (3/4" Tube x 1/2" MPT)	
9822	Male Elbow (3/16" Tube x 1/8" MPT)	
9823	Male Elbow (1/4" Tube x 1/8" MPT)	
9824	Male Elbow (5/16" Tube x 1/8" MPT)	
9825	Male Elbow (3/8" Tube x 1/8" MPT)	
9826	Male Elbow (3/8" Tube x 1/4" MPT)	
9827	Male Elbow (3/8" Tube x 3/8" MPT)	
9828	Male Elbow (1/2" Tube x 1/4" MPT)	
9829	Male Elbow (1/2" Tube x 3/8" MPT)	
9830	Union Tee (3/16" Tube)	
9831	Union Tee (1/4" Tube)	
9832	Union Tee (5/16" Tube)	
9833	Union Tee (3/8" Tube)	
9834	Union Tee (1/2" Tube)	
9835	Union Tee (5/8" Tube)	
9836	Union Tee (3/4" Tube)	
9837	Male Branch Tee (3/16" Tube x 1/8" MPT)	
9838	Male Branch Tee (1/4" Tube x 1/8" MPT)	
9839	Male Branch Tee (5/16" Tube x 1/8" MPT)	
9840	Male Branch Tee (3/8" Tube x 1/8" MPT)	
9841	Male Branch Tee (3/8" Tube x 1/4" MPT)	



1-888-434-0888
TOLL FREE

UNIT & HALF-DECK: NOTES

UNIT & HALF-DECK: SOCKETS



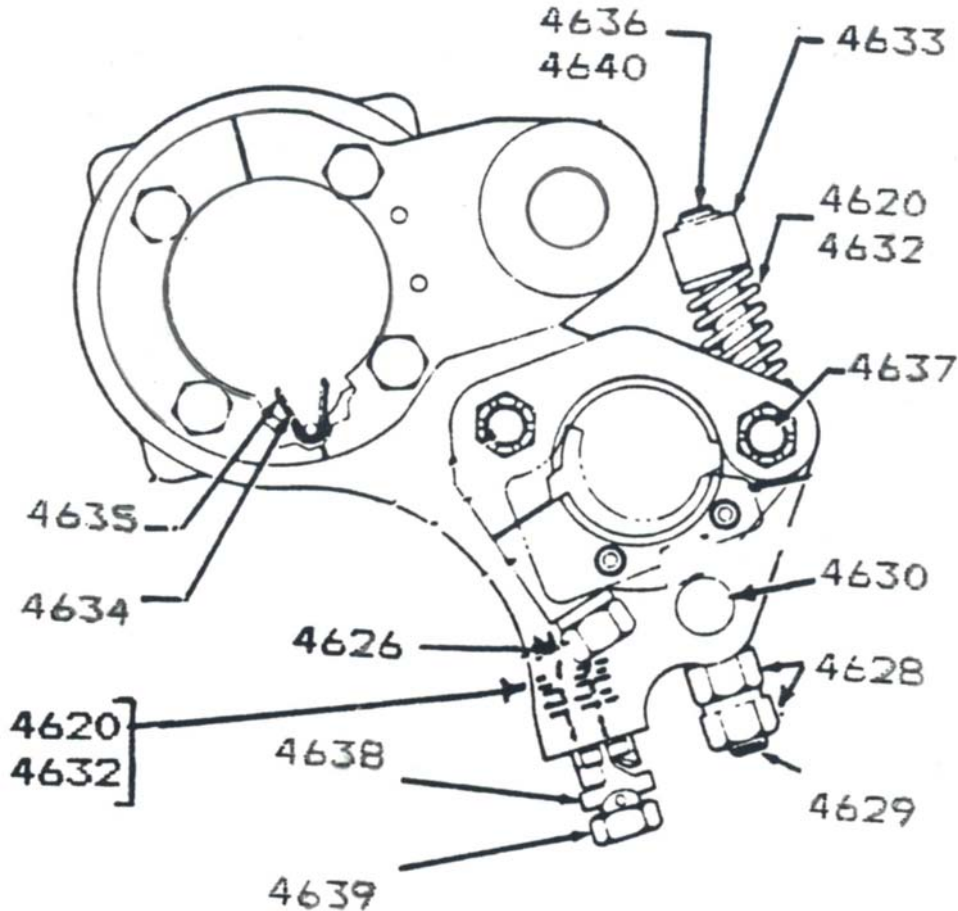
INK TRANSFER ROLLER SOCKET • METRO

STOCK NO.	DESCRIPTION	GOSS PART NO.
4626	Cap Clamp Screw	B-114068-0001
4627	Adjusting Screw	B-114058-0001
4631	Adjusting Post	B-114057-0001
4648	Nut	B-114037-0001
4649	Adjusting Screw Nut	B-114059-0001
4655	Adjusting Screw Post	B-114060-0001
4656	Socket Stud Nut	B-121797-0001
4657	Swivel Nut	B-114072-0001
4659	Socket Adjusting Pivot	B-114070-0001
4667	Adjusting Screw	B-155195-0001
4982	Socket	C-066183-0001
4983	Socket	C-066183-0002

www.a-americanpressparts.com

Check our website for updates!

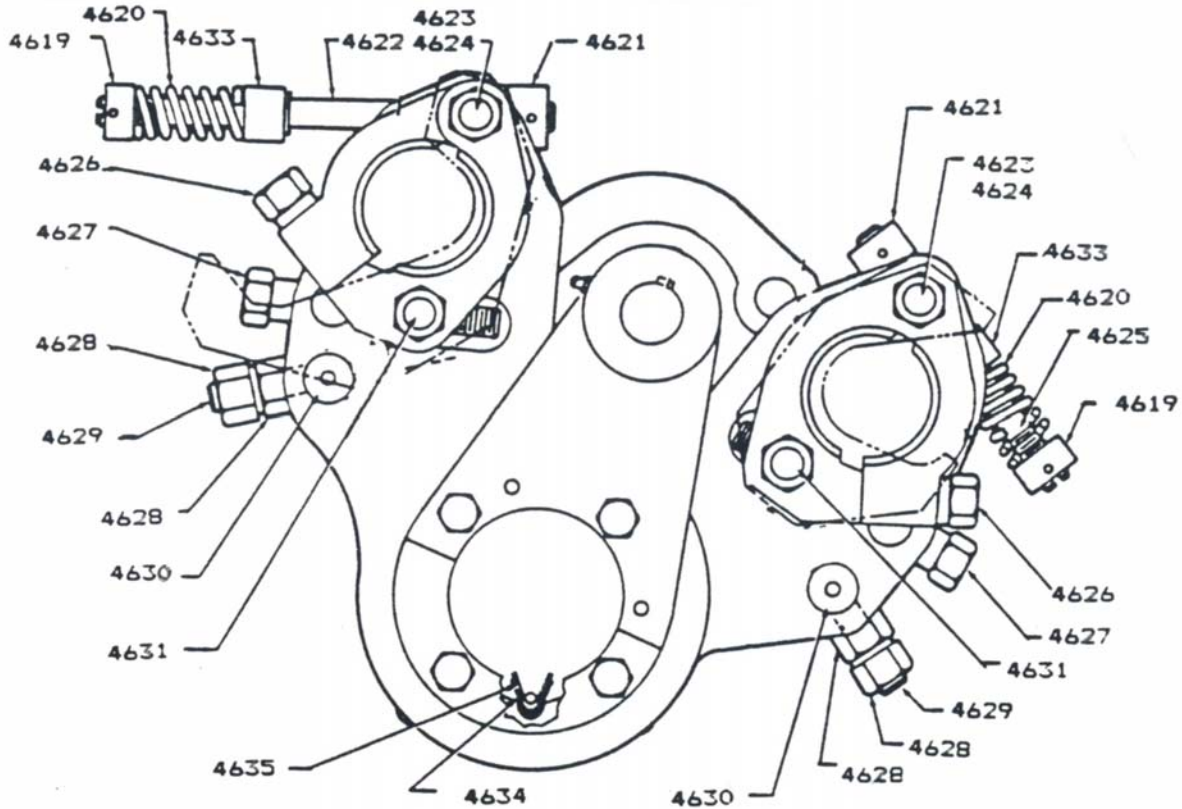
UNIT & HALF-DECK: SOCKETS



DAMPENER FORM ROLLER • METRO

STOCK NO.	DESCRIPTION	GOSS PART NO.
4620	Spring * 14-1/2" to 15" Press	897009-0300
4626	Cap Clamp Screw	B-114068-0001
4628	Adjusting Nut	B-114262-0001
4629	Stud	B-114261-0001
4632	Spring * 13-11/16" Press	897009-0448
4633	Spring Post	B-125701-0001
4634	Oil Wiper	B-103209-0001
4635	Oil Wiper Spring	B-095893-0001
4636	Spring Rod * 14-1/2" to 15" Press	B-125700-0001
4637	Socket Stud	B-124951-0001
4638	Cam Nut	B-120024-0000
4639	Adjusting Screw	B-123378-0004
4640	Spring Rod * 13-11/16" Press	B-125700-0002

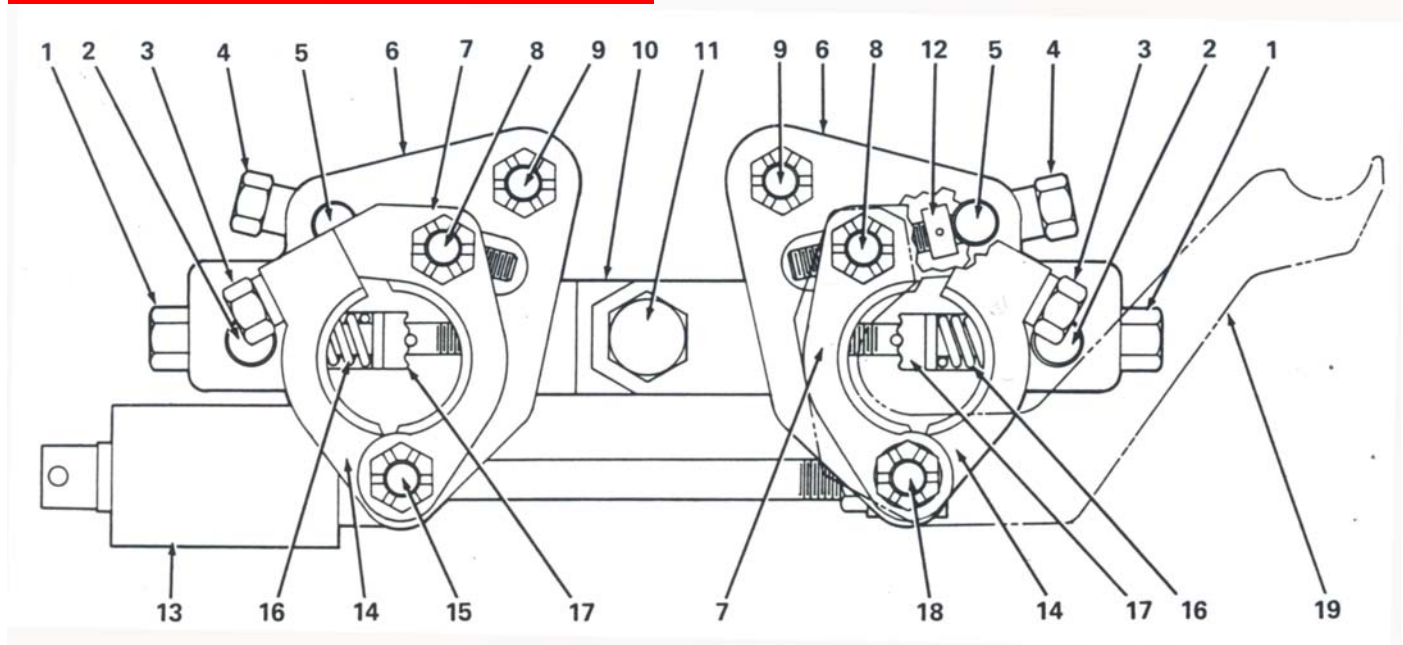
UNIT & HALF-DECK: SOCKETS



INK FORM ROLLER • METRO

STOCK NO.	DESCRIPTION	GOSS PART NO.
4619	Spring Rod Nut	B-125148-0001
4620	Spring	897009-0300
4621	Spring Rod Nut	B-126034-0001
4622	Spring Rod	B-126033-0001
4623	Socket Stud	B-114064-0002
4624	Socket Stud	B-114064-0003
4625	Spring Rod	B-125702-0001
4626	Cap Clamp Screw	B-114068-0001
4627	Adjusting Screw	B-114058-0001
4628	Locknut	B-114262-0001
4629	Stud	B-114261-0001
4630	Adjusting Screw Post	B-114061-0001
4631	Adjusting Post	B-114057-0001
4632	Spring	897009-0448
4633	Throw-off Post	B-125701-0001
4634	Oil Wiper	B-103209-0001
4635	Oil Wiper Spring	B-095893-0001

UNIT & HALF-DECK: SOCKETS

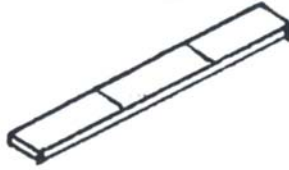


SHAFTLESS INK FORM ROLLER SOCKET • METRO HALF-DECK

ITEM #	STOCK NO.	DESCRIPTION	GOSS PART NO.
1	4952-000	Stop Screw	B-139676-0001
2	4952-001	Stop Post	B-139673-0001
3*	4626-000	Cap Screw	B-114068-0001
4	4627-000	Adj. Screw	B-114058-0001
5	4633-000	Adj. Screw Post	B-114060-0001
6	5847-000	Mtg. Plate	C-088509-0001
7*		Roller Socket Body	
8	4951-000	Adj. Post	B-114057-0002
9	5996-000	Pivot Pin	B-139675-0001
10	5606-000	Bracket Stop	C-088520-0001
10A	5607-000	Socket Bkt.	B-159685-0001
11	5606-500	Stud Stop	B-139672-0001
12	4649-000	Adj. Screw Nut	B-114059-0001
13	4950-000	Air Cylinder	739902-0017
14*		Roller Socket Cap	
15	4950-002	Cylinder Pin	B-139671-0001
16	4953-000	Comp. Spring	A-007179-0001
17	4954-000	Ratchet Block	B-139777-0001
18	4950-001	Pivot Pin	C-088508-0001
19		Track	

Items #3, #7, & #14 are included in our Parts # 4982-000 or 4983-000 Socket Body Assemblies.

UNIT & HALF-DECK: TOOLS & ACCESSORIES



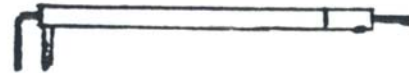
9001
9002



9007



9008



9009



9010
9052



9011



9033



9034



9037



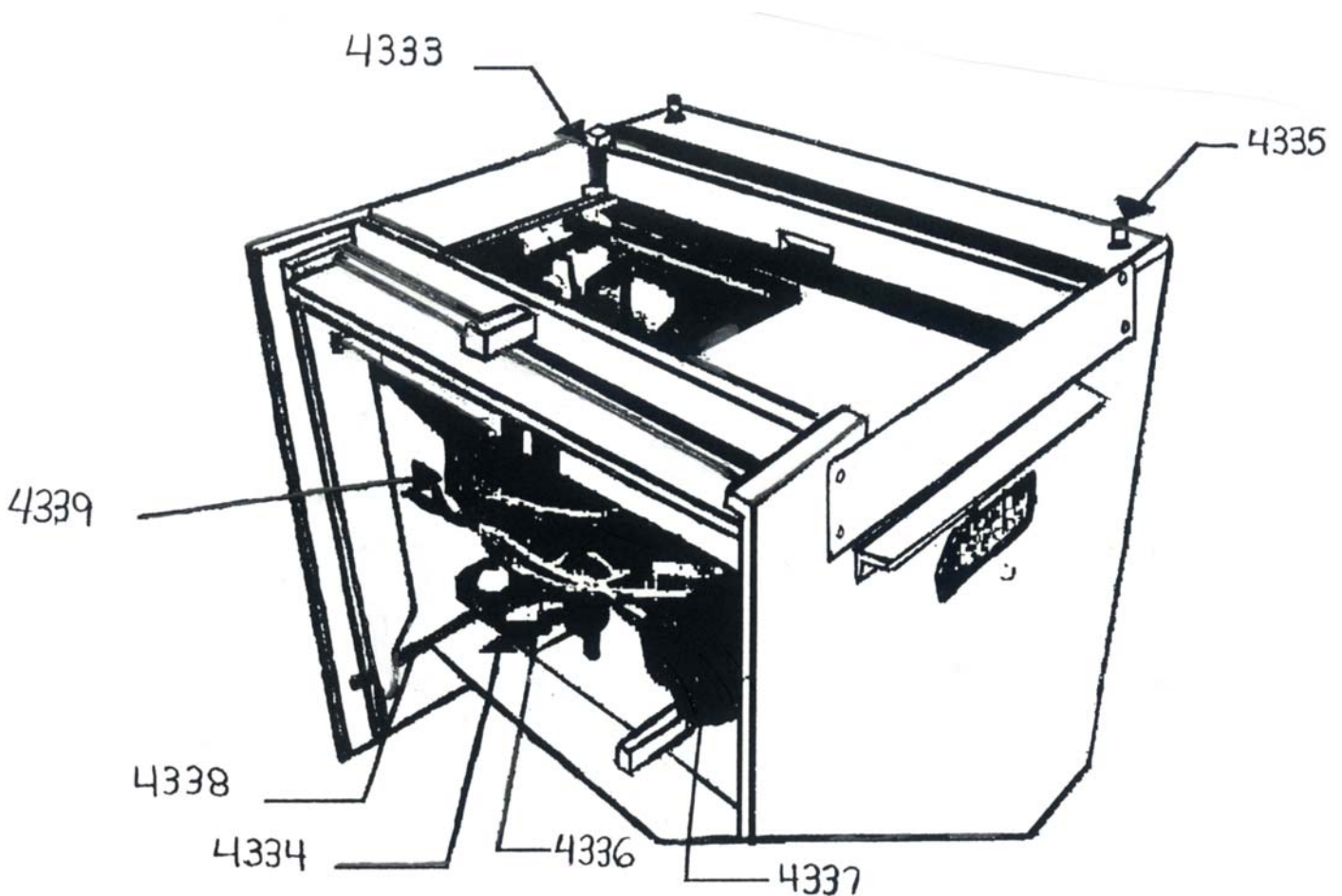
9051

TOOLS

STOCK NO.	DESCRIPTION	GOSS PART NO.
9001 *	Blanket to Blanket Gage	B-118676-0004
9002 *	Blanket to Common Gage	B-118676-0001
9007	Unit Shifter Wrench	C-069288-0001
9008	Bearer Setting Tool	
9009	Ink Pac Zero Setting Tool	
9010 +	Blanket to Plate Gap Gage	C-096514-0001
9011	Plate Lock-up Wrench (Plain)	
9033	Plate Lock-up Wrench (w/Hook)	
9034	Torque Wrench	
9037	Sqweege (For Ink Rail)	
9051	ASO Rubber Roller Lifter	
9052 ^	Blanket to Plate Gap Gage	

* GO - NO - GO
 + 14-1/2" PRESS
 ^ 13-11/16" PRESS

UNIT & HALF-DECK: TOOLS & ACCESSORIES



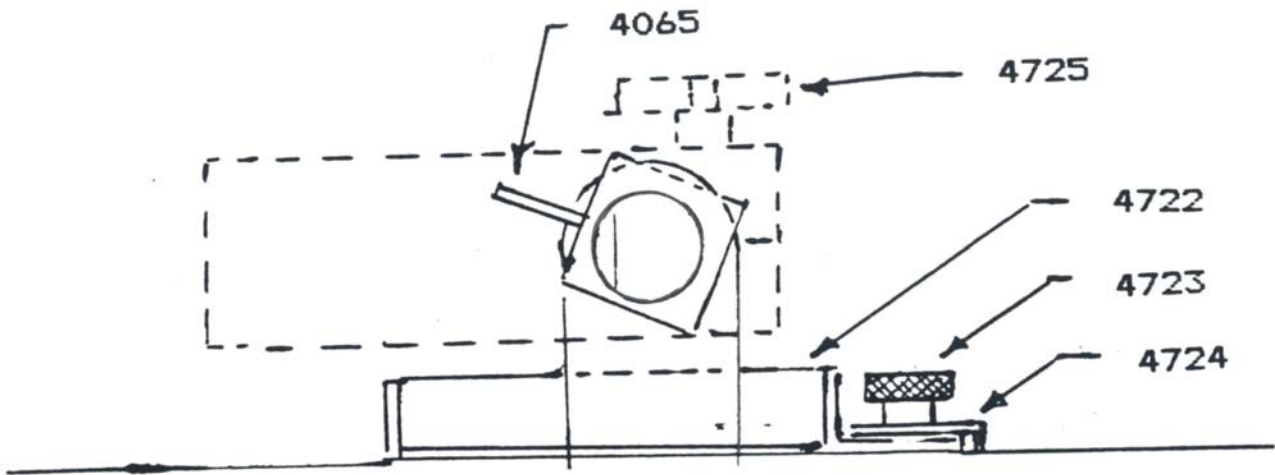
GREGG PLATE BENDER

STOCK NO.	DESCRIPTION	GOSS PART NO.
4333	Spring	
4334	Air Solenoid Manifold	
4335	Air Switch	
4336	Vacuum Pump	
4337	Air Cylinder	
4338	Spring	
4339	Cam Follower	

www.a-americanpressparts.com

Check our website for updates!

UNIT & HALF-DECK: WASH-UP DEVICES



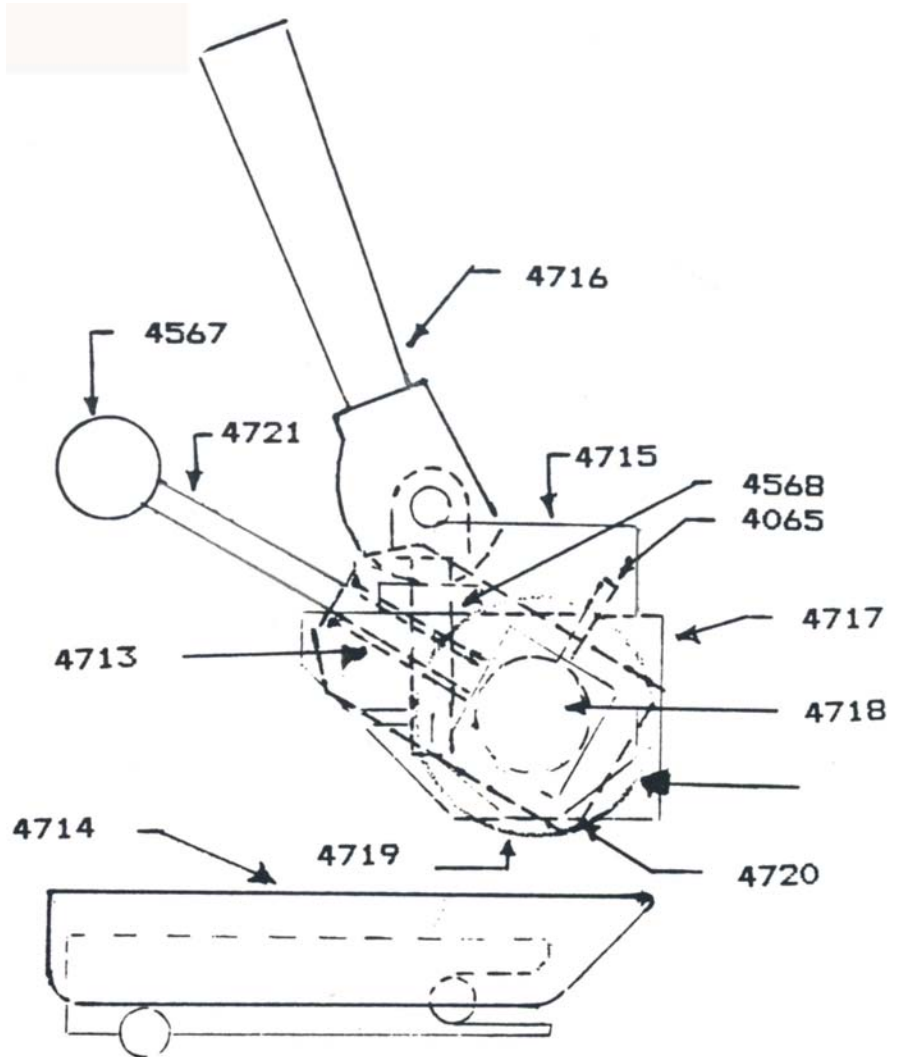
TOP OF UNDER SHOT FOUNTAIN

STOCK NO.	DESCRIPTION	GOSS PART NO.
4065	Scraper Blade	B-121232-0001
4722	Pan	C-068379-0001
4723	Fastener	760668-3109
4724	Holdown	B-120370-0001
4725	Knob	815000-0037

www.a-americanpressparts.com

Check our website for updates!

UNIT & HALF-DECK: WASH-UP DEVICES



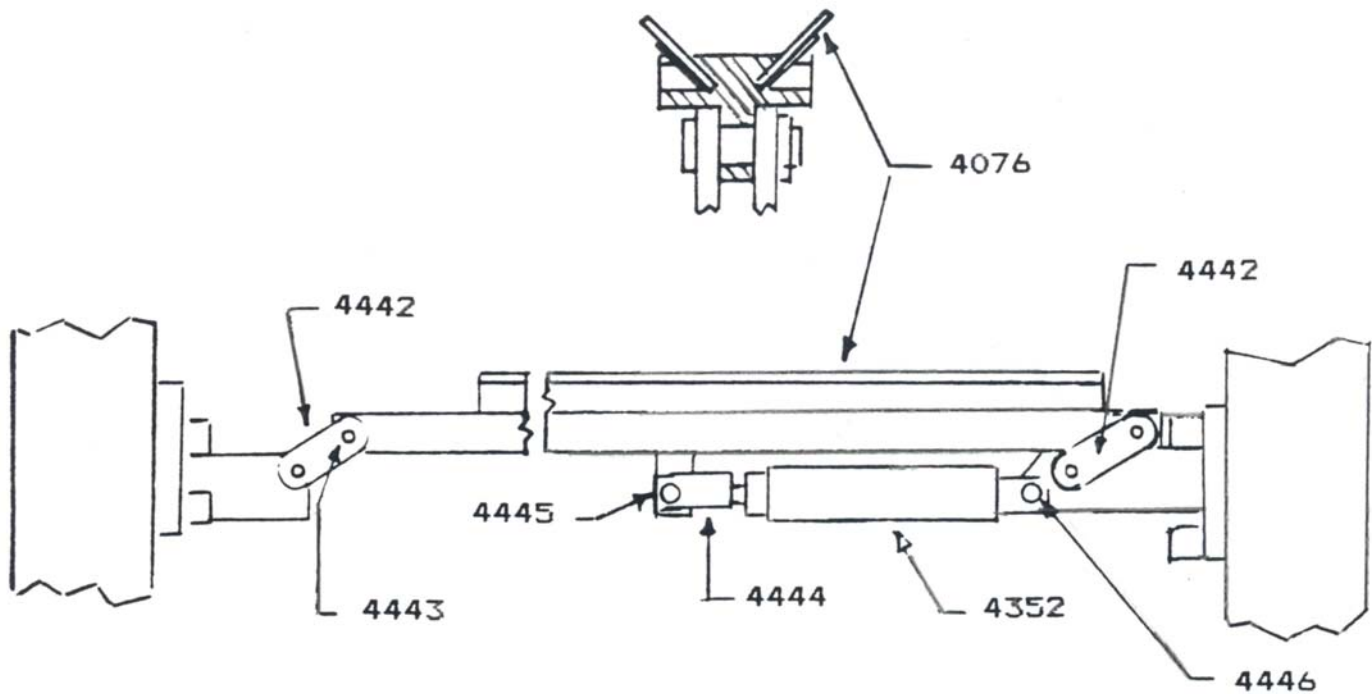
MANUAL TYPE • METRO

STOCK NO.	DESCRIPTION	GOSS PART NO.
4065	Blades	B-121232-0001
4567	Handle	815000-0042
4568	Washer	930800-0504
4713	Spring	B-112079-0002
4714	Pan	C-085011-0001
4715	Bracket - Op Side	B-131467-0001
4716	Lock Handle	B-131663-0001
4717	Bracket	B-131308-0001
4718	Bar	C-080512-0001
4719	Index Plate	B-131468-0001
4720	Bracket	B-127904-0001
4721	Shaft	B-129190-0001

www.a-americanpressparts.com

Check our website for updates!

UNIT & HALF-DECK: WASH-UP DEVICES



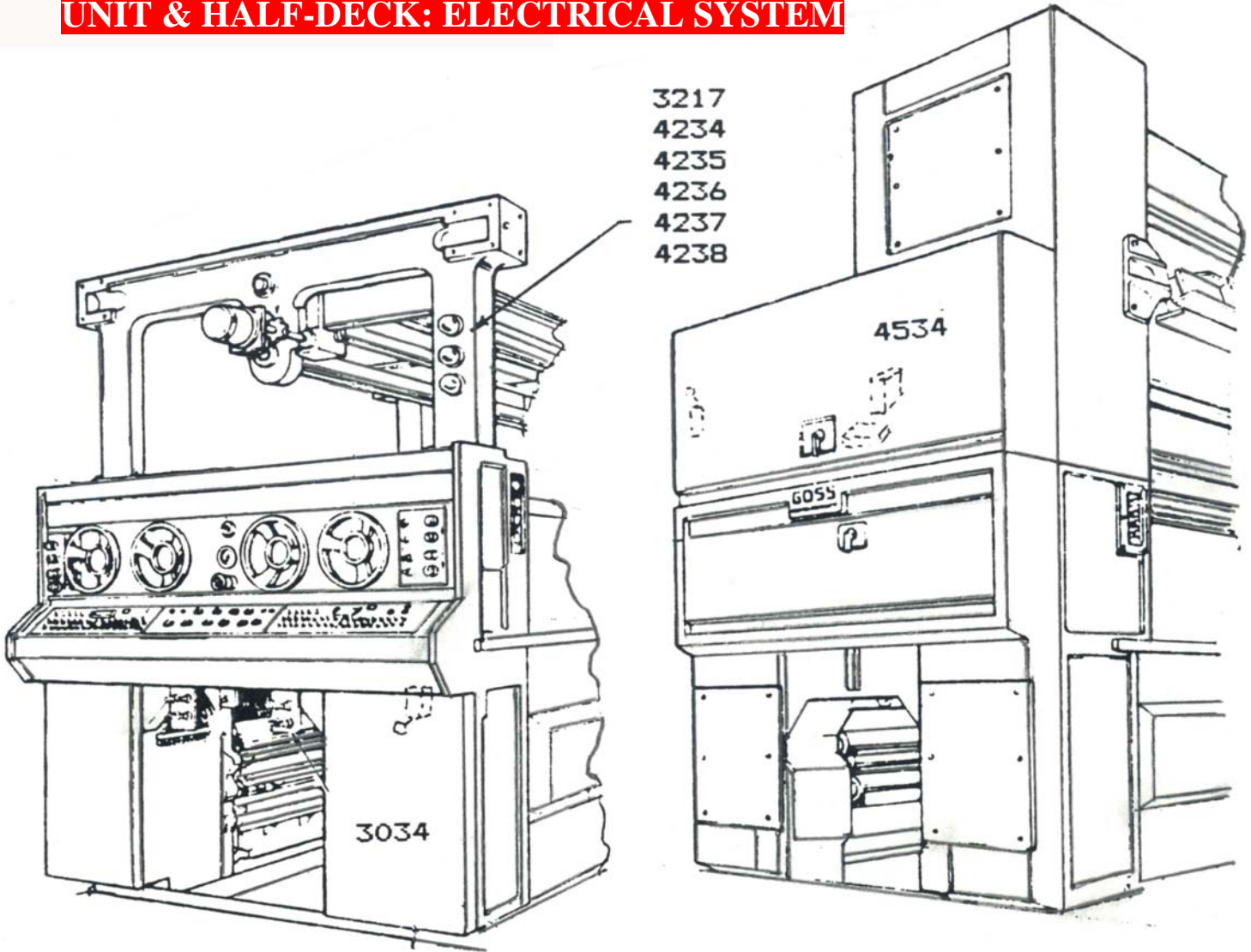
PNEUMATIC TYPE • METRO

STOCK NO.	DESCRIPTION	GOSS PART NO.
4076	Scraper Blade	B-121232-0002
4352	Air Cylinder	733908-0006
4442	Link	B-144771-0001
4443	Link Pin	B-144740-0001
4444	Clevis	B-145175-0001
4445	Clevis Pin	B-144689-0001
4446	Clevis Pin	B-144689-0002

www.a-americanpressparts.com

Check our website for updates!

UNIT & HALF-DECK: ELECTRICAL SYSTEM



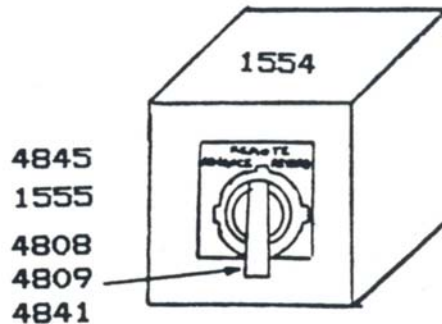
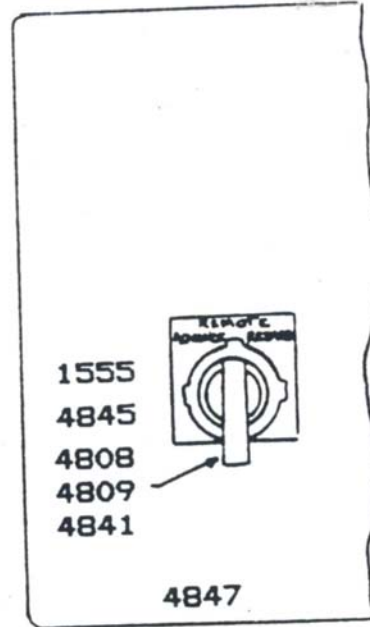
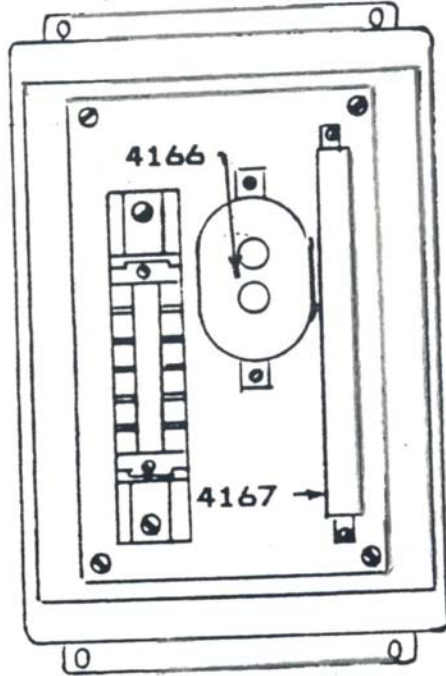
ELECTRICAL SAFETY SYSTEM • METRO

STOCK NO.	DESCRIPTION	GOSS PART NO.
3034	Limit Switch - Impression Air Cylinder	899751-8231
3217	Indicating Lamp Base	C-075224-0007
3218	Signal Light Lens (Amber)	C-075224-0009
4234	Signal Light Lens (Red)	C-075224-0003
4235	Signal Light Lens (Green)	C-075224-0004
4236	Signal Light Lens (Clear)	C-075224-0005
4237	Signal Light Lens (White)	C-075224-0006
4238	Signal Light Lens (Blue)	C-075224-0002
4534	Proximity Switch	899700-8075

www.a-americanpressparts.com

Check our website for updates!

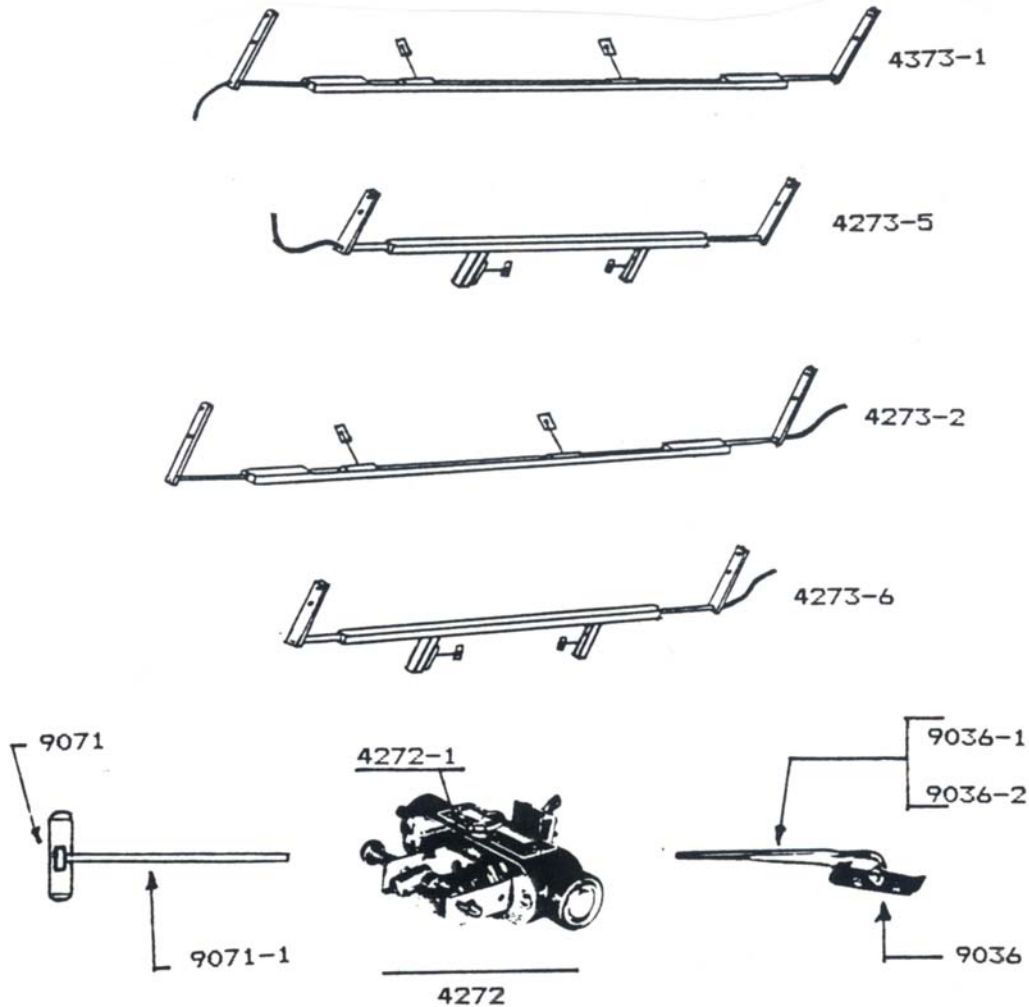
UNIT & HALF-DECK: ELECTRICAL SYSTEM



REMOTE COMPENSATOR CONTROL BOX • 1 WAY

STOCK NO.	DESCRIPTION	GOSS PART NO.
1554	Remote Control Box	
1555	Selector Switch	C-080225-0001
4166	Capacitor	731160-6125
4167	Resister	D-017812-0281
4808	Contact Block	C-080226-0005
4809	Contact Block	C-080226-0001
4841	Selector & Actuator	
4845	Actuator	
4847	Remote Comp. Control Box (1 way)	D-032869-0001

UNIT & HALF-DECK: ELECTRICAL SYSTEM



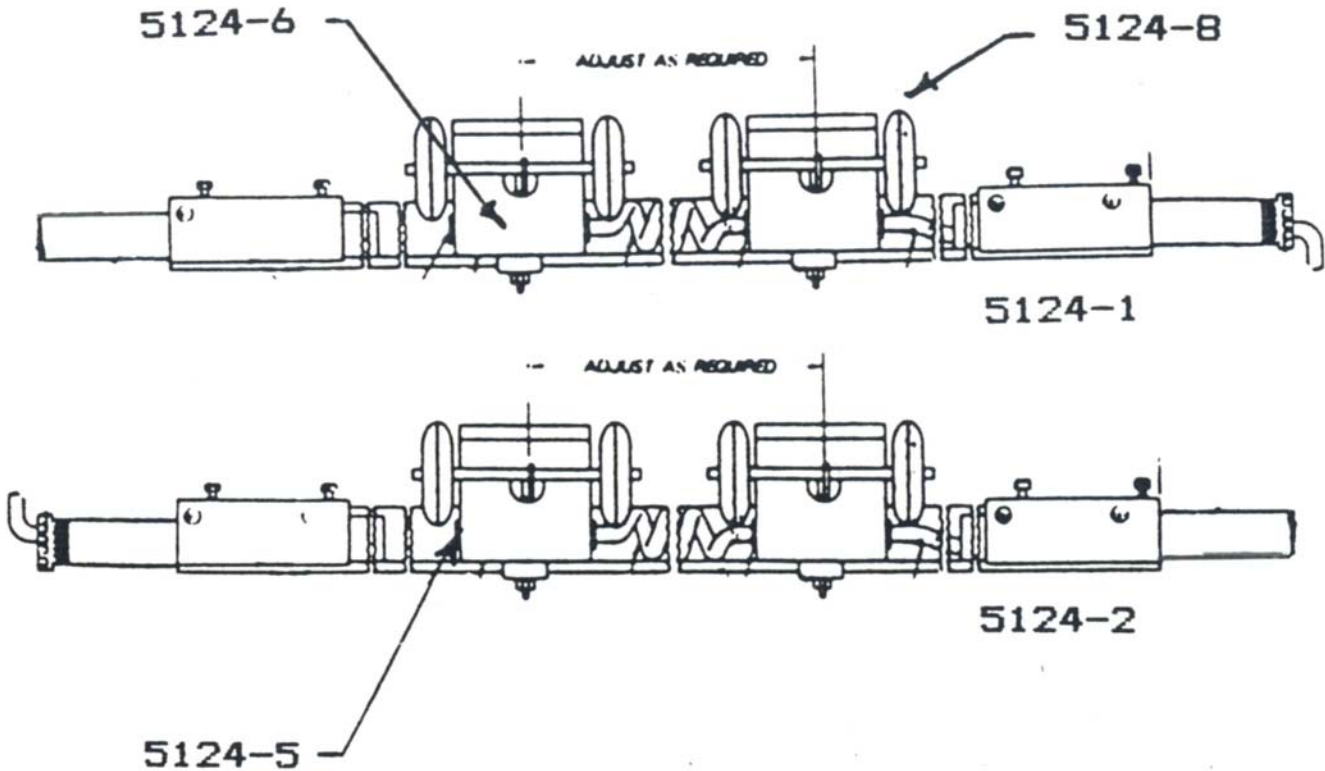
WEB BREAK DETECTORS

STOCK NO.	DESCRIPTION	GOSS PART NO.
4272	Single Detector	
4272-1	Detector Micro-Switch	
4273-1	Detector Assy - Vert. Paddle w/ Bar (LH)	
4273-2	Detector Assy - Vert. Paddle w/ Bar (RH)	
4273-5	Detector Assy - Horz. Paddle w/ Bar (LH)	
4273-6	Detector Assy - Horz. Paddle w/ Bar (RH)	
9036	Paddle (1" wide)	
9036-1	Arm (7" long)	
9036-2	Arm (6" long)	
9071	Paddle (1/2" wide)	
9071-1	Arm (9" long)	
4272-003	Spring	

www.a-americanpressparts.com

Check our website for updates!

UNIT & HALF-DECK: ELECTRICAL SYSTEM



TROLLEY ASSEMBLY

STOCK NO.	DESCRIPTION	GOSS PART NO.
4858	Trolley Relay Box Assembly	
5124-1	Trolley Assembly w/ Bar (RH)	
5124-2	Trolley Assembly w/ Bar (LH)	
5124-5	Single Trolley	
5124-6	Trolley Coil	
5124-7	Trolley Relay	
5124-8	Rubber Wheel	

www.a-americanpressparts.com

Check our website for updates!



1-888-434-0888
TOLL FREE

UNIT & HALF-DECK: NOTES