



1-888-434-0888
TOLL FREE

GOSS COMMUNITY UNIT

Table of Contents

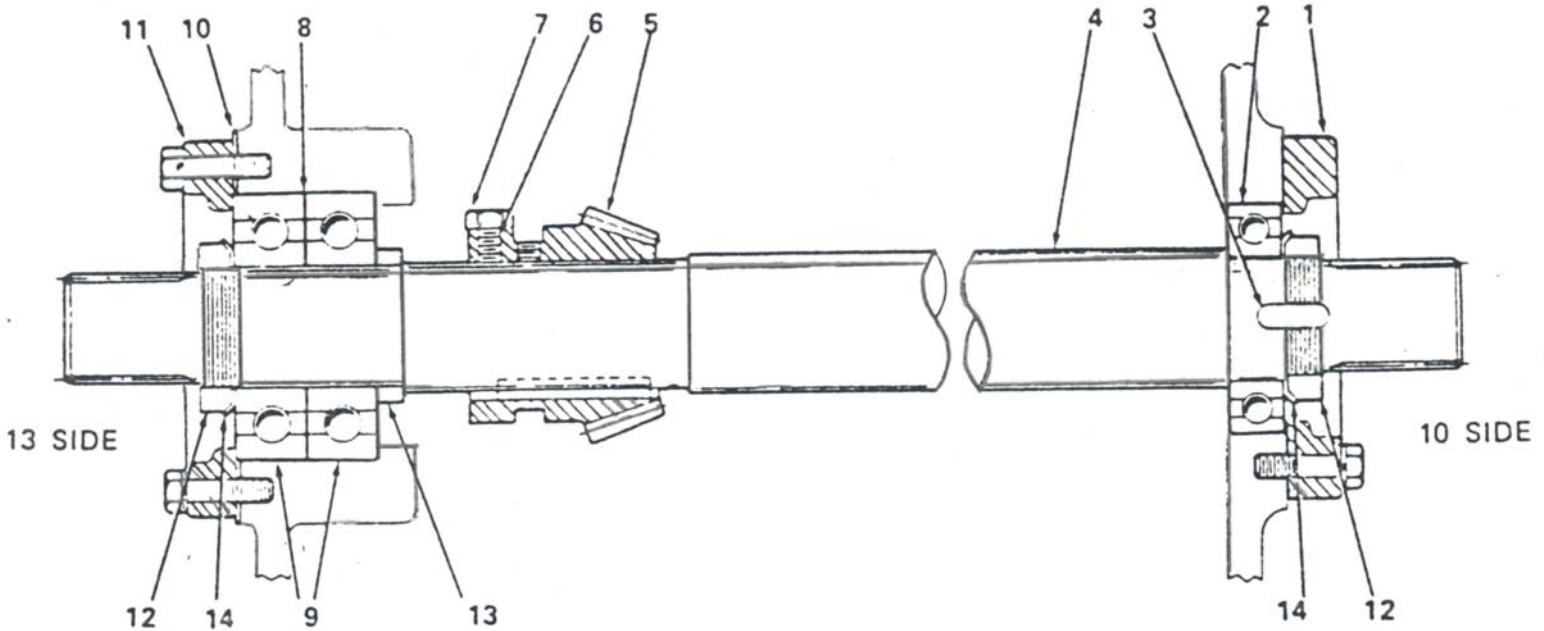
Title:	Page
Horizontal Drive Assembly	<u>3</u>
Horizontal Drive Clutch - Flexible - Unit to Unit	<u>4</u>
Balnket Cylinder Throwoff Linkage - Old Style	<u>5</u>
Balnket Cylinder Throwoff Linkage - Drive Side - New Style	<u>6</u>
Blanket Cylinder Assembly without Circumferential	<u>7</u>
Plate Cylinder Assembly without Circumferential - 10 Side	<u>8</u>
Plate Cylinder Assembly - 13 Side	<u>9</u>
Plate Cylinder Lockup Assembly - 22-100" Print Length	<u>10</u>
Plate Cylinder Lockup Assembly - 21-3/4" Print Length	<u>11</u>
Ink Fountain Assembly - Fixed Type	<u>12</u>
Ink Fountain Assembly - Swing Down Type	<u>13</u>
Ink Fountain Roller Assembly	<u>14</u>
Ink Vibrator / Ink Fountain Drive Assembly	<u>15</u>
Main and Auxiliary Ink Drums	<u>16</u>
Ink Feed Roller and Throwoff Assembly - New Style	<u>17</u>
Ink Feed Roller and Throwoff Assembly - Old Style	<u>18</u>
Ink Transfer Roller	<u>19</u>
Ink Form Rollers	<u>20</u>
Ink and Dampener Form Roller Sockets	<u>21</u>
Ink Transfer Roller Sockets	<u>22</u>
Dampener Feed Roller Socket	<u>23</u>
Back-to-Back Register Gear Rim	<u>24</u>



1-888-434-0888
TOLL FREE

Dampener Fountain Roller Assembly	<u>25</u>
Dampener Fountain Pan & Water Stop Assembly	<u>26</u>
Intermediate Dampener Drum Gear	<u>27</u>
Dampener Drum Vibrator Assembly	<u>28</u>
Dampener Feed Roller Assembly	<u>29</u>
Dampener Form Roller Assembly	<u>30</u>
Ink & Dampener form Roller Throwoff Assembly	<u>31</u>
Paper Roll Shaft Assembly	<u>32</u>
Paper Roll Sidelay, Tension Control & Brake	<u>33</u>
Lead-in Roller Assembly	<u>34</u>
Lead-in Roller & Idler Roller Assembly	<u>35</u>
Governor Roller & Lead-in Roller Assembly	<u>36</u>
Roller Bracket & Compensator Assembly	<u>37</u>
Washup Device	<u>38</u>

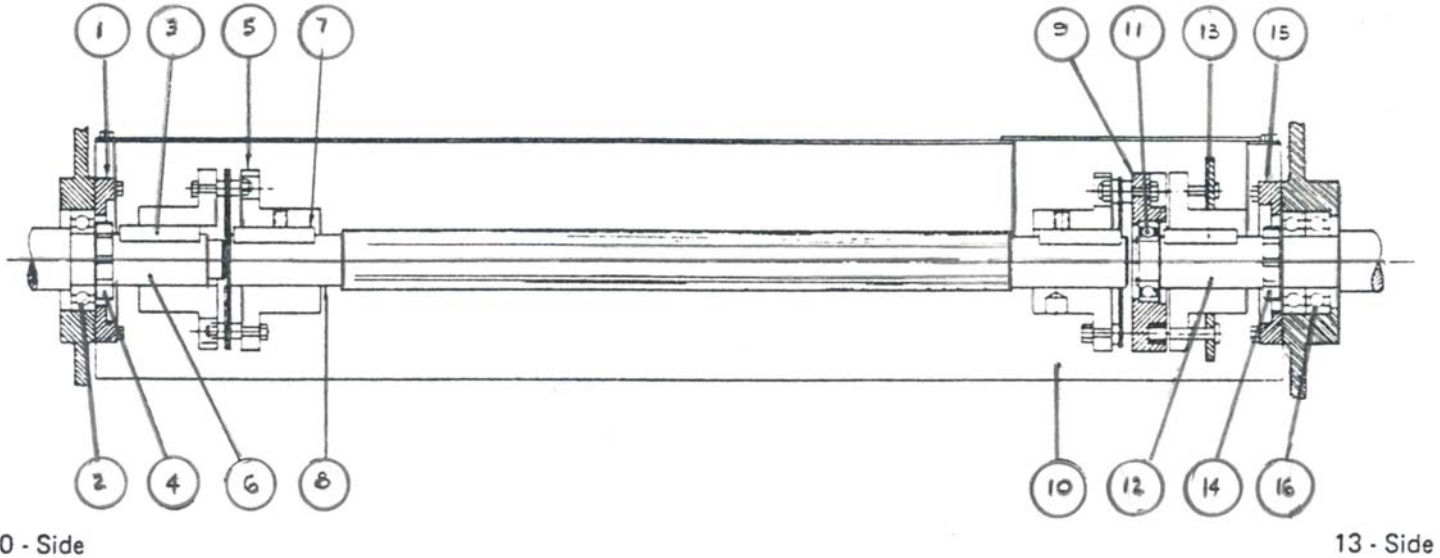
COMMUNITY UNIT



HORIZONTAL DRIVE ASSEMBLY

NO.	STOCK NO.	DESCRIPTION	GOSS PART NO.
1	40526	End Plate	C-110112
	40527	End Plate	B-120009
	40820	End Plate	B-144269
2	40107	Bearing	579-722605
3	40821	Square Key	76C-040003
4	40085	Drive Shaft (Grease)	C-060746
	40086	Drive Shaft (Oil)	C-070381
5	40055	Spiral Bevel Gear (Grease)	C-062029
	40056	Spiral Bevel Gear (Oil)	C-070178
6	40032	Spotting Set Screw	2B-105603
7	40076	Jam Nut	3716C-040149
8	40528	Shim	B-120142
9	40108	Bearing	616-722605
10	40529-5	Shim	5B-120395
	40822	Shim	5B-121464
11	40529	End Plate	B-120395-1
	40823	End Plate	B-149311
12	40217	Locknut	109C-040123
13	40530	Spacer	4003C-040065
14	40216	Lockwasher	109C-040124

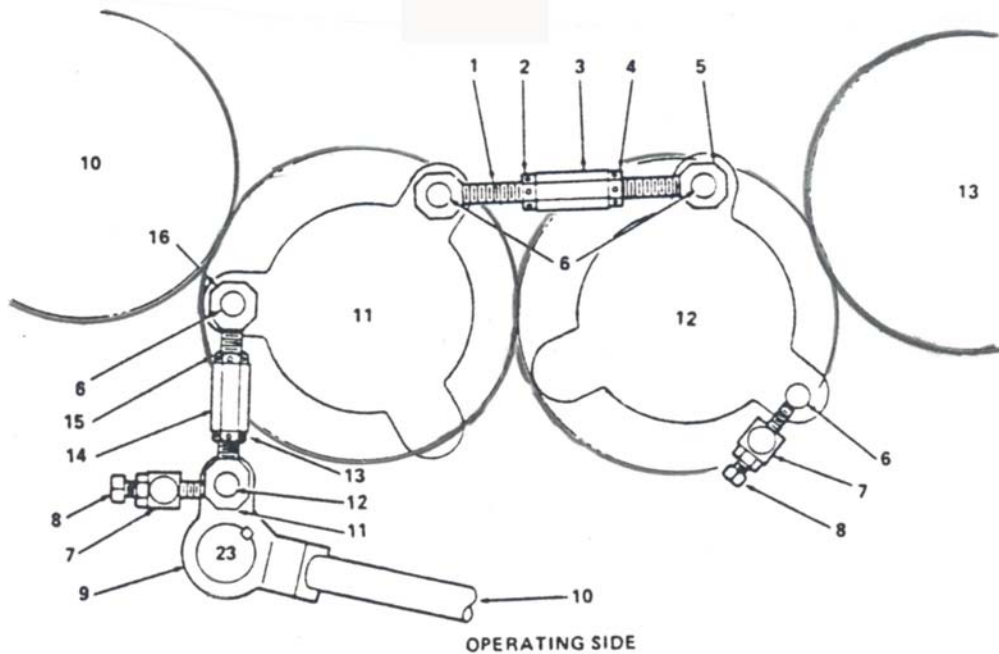
COMMUNITY UNIT



HORIZONTAL DRIVE CLUTCH - FLEXIBLE - UNIT TO UNIT

NO.	STOCK NO.	DESCRIPTION	GOSS PART NO.
1	40527	End Plate	B-120009
	40526	End Plate	C-110112
2	40147	Bearing - 10s	573-722605
3	40531	Key	222C-040003
4	40216	Lockwasher & Nut	109C-040124 C109C-040123
5	40536	Coupling	100-112663
6	40086	Unit Shaft	4913-070381
7	40532	Key	246C-040003
8	40533	Intermediate Shaft	1C-090092
9	40534	Flexible Drive Clutch	400-112663
10	40535	Cover	100-086273
11	40118	Bearing	6208C-040104
12	40086	Unit Shaft	4913-070381
13	40531	Key	222C-040003
14	40216	Lockwasher	109C-040124
	40217	Nut	109C-040123
15	40529	End Plate	B-120395
16	40108	Bearing - 13s	616-722605

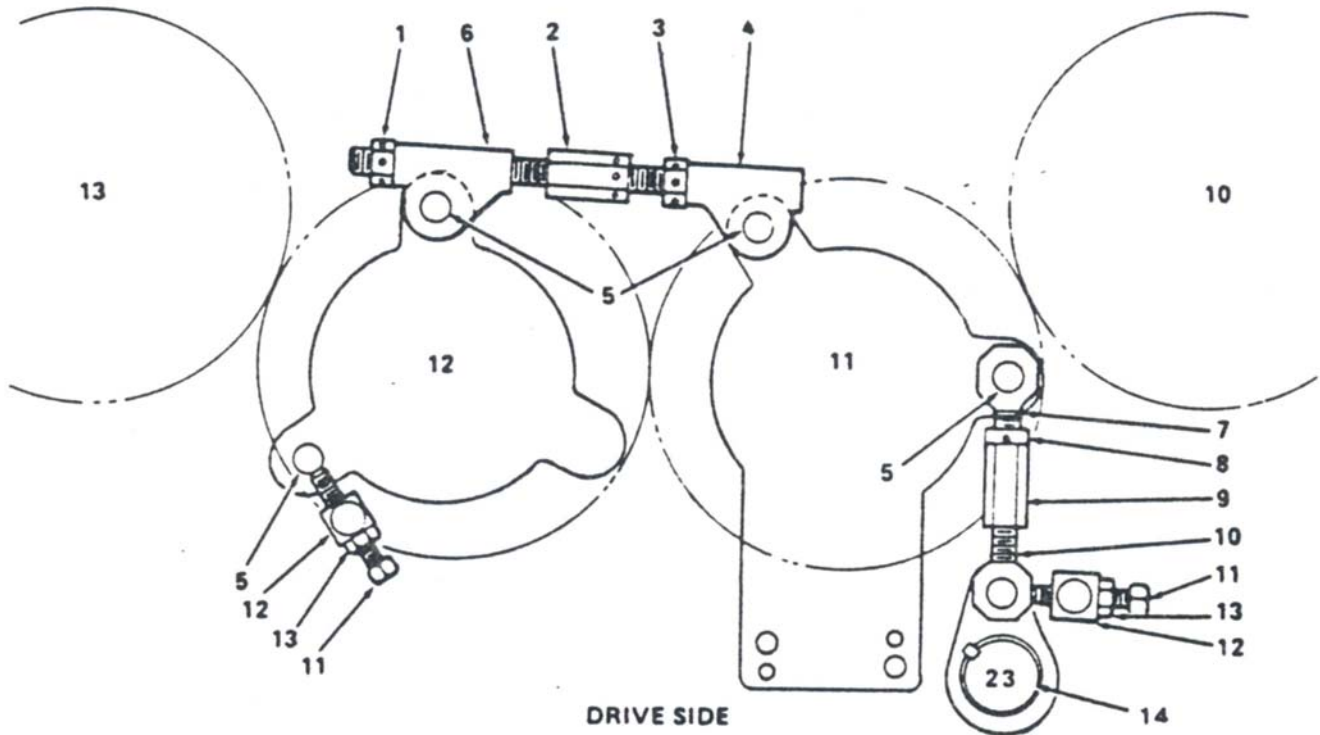
COMMUNITY UNIT



BALNKET CYLINDER THROWOFF LINKAGE - OLD STYLE

NO.	STOCK NO.	DESCRIPTION	GOSS PART NO.
1	40446-2	Swing Bolt - LH Thread	2B-108417
2	40537	Locknut - LH Thread	868-846548
	40542-2	Locknut - LH Thread	2B-143754
3	40539	Turnbuckle	B-108416
	40824	Turnbuckle	1B-1437555
4	40538	Locknut - RH Thread	867-846548
	40542-1	Locknut - RH Thread	1B-143754
5	40446-1	Swing Bolt - RH Thread	4B-108417
6	40540	Pin	B-108420
7	40057	Poppet	B-108418
8	40077	Set Screw	3716C-040145
9	40541	Throwoff Lever	B-108414
10	40542	Throwoff Handle	B-108419
11	40446-2	Swing Bolt - LH Thread	2B-108417
12	40543	Pin	B-109116
13	40542-2	Locknut - LH Thread	2B-143754
	40537	Locknut - LH Thread	868-846548
14	40539	Turnbuckle	B-108416
15	40537	Locknut - RH Thread	867-846548
	40542-1	Locknut - RH Thread	1B-143754
16	40446-3	Swing Bolt - RH Thread	3B-108417

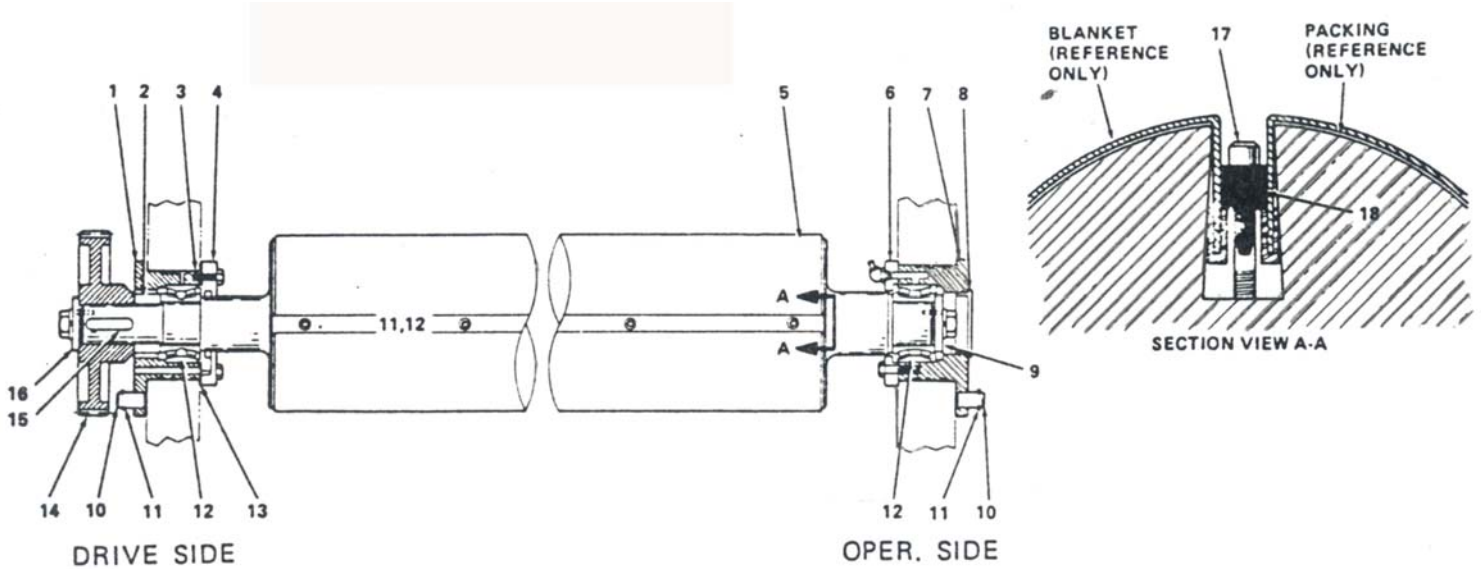
COMMUNITY UNIT



BALNKET CYLINDER THROWOFF LINKAGE - DRIVE SIDE - NEW STYLE

NO.	STOCK NO.	DESCRIPTION	GOSS PART NO.
1	40524-1	Locknut - RH Thread	1B-143754
2	40543	Adjusting Screw	B-143753
3	40542-2	Locknut - LH Thread	2B-143754
4	40544-2	Swing Nut - LH Thread	2B-143752
5	40540	Pin	B-108420
6	40544-1	Swing Nut - RH Thread	1B-143752
7	40446-3	Swing Nut - RH Thread	3B-108417
8		Locking Washer	1B-116103
9	40539	Turnbuckle	B-108416
10	40446-1	Swing Bolt - LH Thread	1B-108417
11	40077	Set Screw	3716C-40145
12	40057	Poppet	B-108418
13	40076	Jam Nut	3716C-040149
14	40541	Throwoff Lever	1B-108414

COMMUNITY UNIT



BLANKET CYLINDER ASSEMBLY WITHOUT CIRCUMFERENTIAL

NO.	STOCK NO.	DESCRIPTION	GOSS PART NO.
1	40546	Eccentric Sleeve	C-088172
2	40548-1	Spacer	B-108636
3	40083	Quad Ring Seal	143-891557
4	40549	End Plate	B-139391
5	40033	Blanket Cylinder	E-004658
6	40550	End Plate	C-094790
7	40547	Eccentric Sleeve	C-062010
8	40551	Plug	400-865500
9	40552	Washer with Pin	B-148639
10	40540	Throwoff Pin	B-108420
11	40553	Retaining Ring	62C-040164
12	40554	Bearing	A-012094
13	40555	Shim Set	1B-141874
	40556	Shim Set	5B-141875
14	40037	Gear	C-070181
15	40557	Key	174C-040003
16	40558	Washer with Pin	B-108639
17	40406	Capscrew	411-891201
18	40347	T-Bar	C-094716
	40346	T-Bar	1C-094681

COMMUNITY UNIT

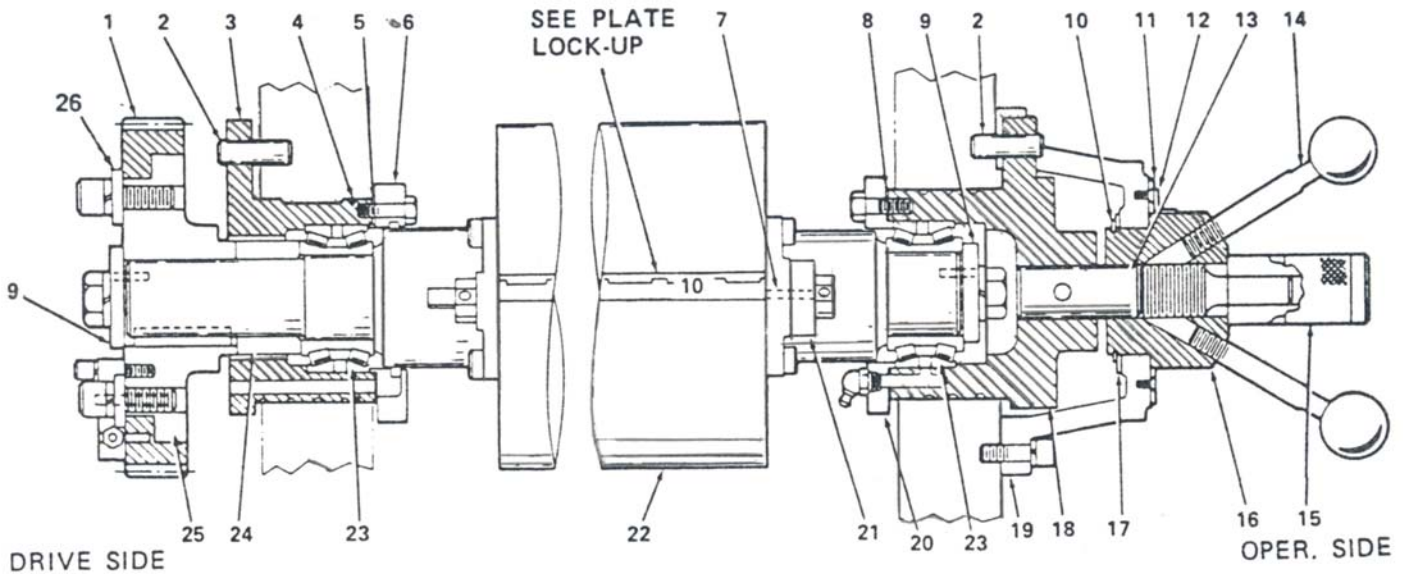


PLATE CYLINDER ASSEMBLY WITHOUT CIRCUMFERENTIAL - 10 SIDE

NO.	STOCK NO.	DESCRIPTION	GOSS PART NO.
1	40038	Gear	C-070182
2	40559	Dowel Pin	59-863313
3	40560	Eccentric Sleeve	D-032632
4	40083	Quad Ring Oil Seal	143-891557
5	40561	Gasket	1B-144552
6	40562	End Plate	C-088170
7	40563	Dowel Pin	168C-040001
8	40825	Gasket	1B-144551
9	40558	Washer with Pin	1B-108639
10	40564	Retaining Ring	1927-885470
11	40565	Register Indicator	B-141094
12	40566	Pointer	B-106851
13	40567	Adjusting Screw	B-144613
14	40568	Handle Assembly	B-114608
	40826	Handle Assembly	12B-140766
15	40569-1	Sidelay Locking Nut	B-108440
16	40570	Sidelay Handwheel Hub	C-094683
17	40571	Washer	B-144553
18	40572	Eccentric Sleeve	E-004664
19	40573	Sidelay Bracket	C-068078
20	40574	End Plate	B-116803
22	40034	Plate Cylinder (10 side)	E-004659
23	40554	Bearing	A-012094
24	40548-2	Spacer	2B-108636
25	40575	Gear Hub	C-068081
26	40582	Slip Washer	AR-003424

COMMUNITY UNIT

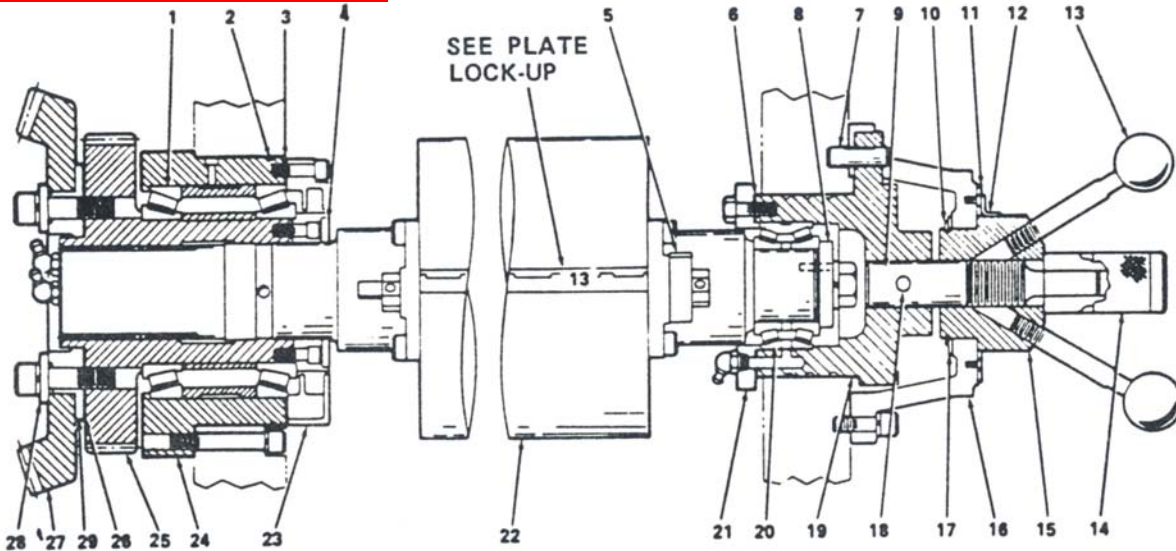


PLATE CYLINDER ASSEMBLY - 13 SIDE

NO.	STOCK NO.	DESCRIPTION	GOSS PART NO.
1	40561	Bearing	A-059921
2	40084	Quad Ring Oil Seal	1458-885454
3	40562	Gasket	1B-144557
4	40563	End Plate (Cone)	B-119956
5	40126	Auto Plate Lockup Lever	B-148070
6	40564	Gasket	1B-144558
7	40559	Dowel Pin	59-863313
8	40558	Washer with Pin	B-108639
9	40567	Sidelay Adjusting Screw	B-144613
10	40564	Retaining Ring	1927-885470
11	40565	Register Indicator Dial	B-141094
12	40566	Pointer	B-106851
13	40568	Handle	B-144608
14	40569-3	Sidelay Locknut	3B-108440
15	40570	Sidelay Handwheel Hub	C-094683
16	40573	Sidelay Bracket	C-068078
17	40571	Washer	B-144553
18	40576	Dowel Pin	237C-040001
19	40577	Sleeve	E-004663
20	40109	Bearing	800-722673
21	40578	End Plate	B-116802
22	40035	Plate Cylinder - 13 Side	E-004895
	40036	Plate Cylinder - 13 Side	E-004660
23	40579	End Plate (Cup)	C-094684
24	40580	Sleeve	C-094685
25	40039	Plate Cylinder Gear	C-070179
26	40581-4	Shim Set	4B-099304
27	40056	Spiral Bevel Gear Set	C-070178
28	40582	Washer	AR-003424
29	40583	Gear Mounting Plate	B-108384

COMMUNITY UNIT

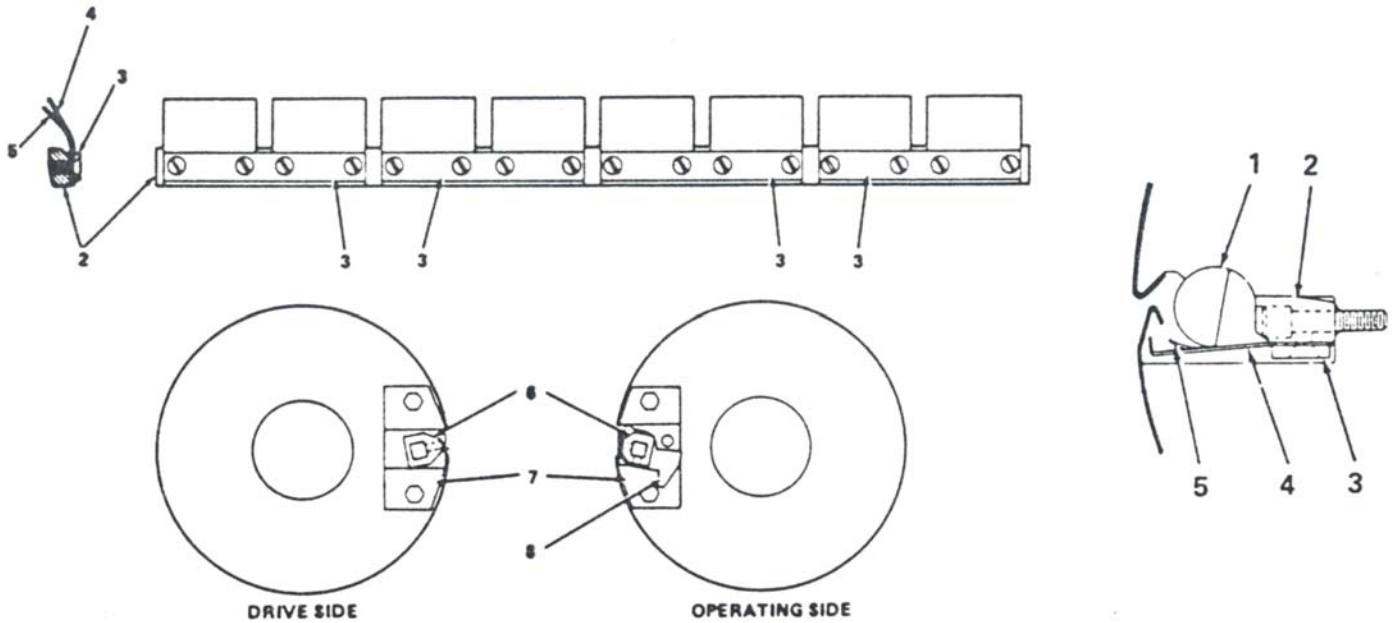


PLATE CYLINDER LOCKUP ASSEMBLY - 22-100" PRINT LENGTH

NO.	STOCK NO.	DESCRIPTION	GOSS PART NO.
1	40584	Plate Lockup Shaft	C-099787
2	40122	Spring Retaining Bar	C-100029
3	40123	Clamp Bar	B-148072
4	40092	Plate Lockup Spring	D-035044
5	40585	Anti-Rattle Spring	B-150241
6	40010	Lockup Shaft Sleeve	B-099441
7	40125	Plate Lockup Keeper	B-148071
8	10126	Automatic Plate Lockup Lever	B-148070
	40827	Automatic Plate Lockup Lever	B-149800

COMMUNITY UNIT

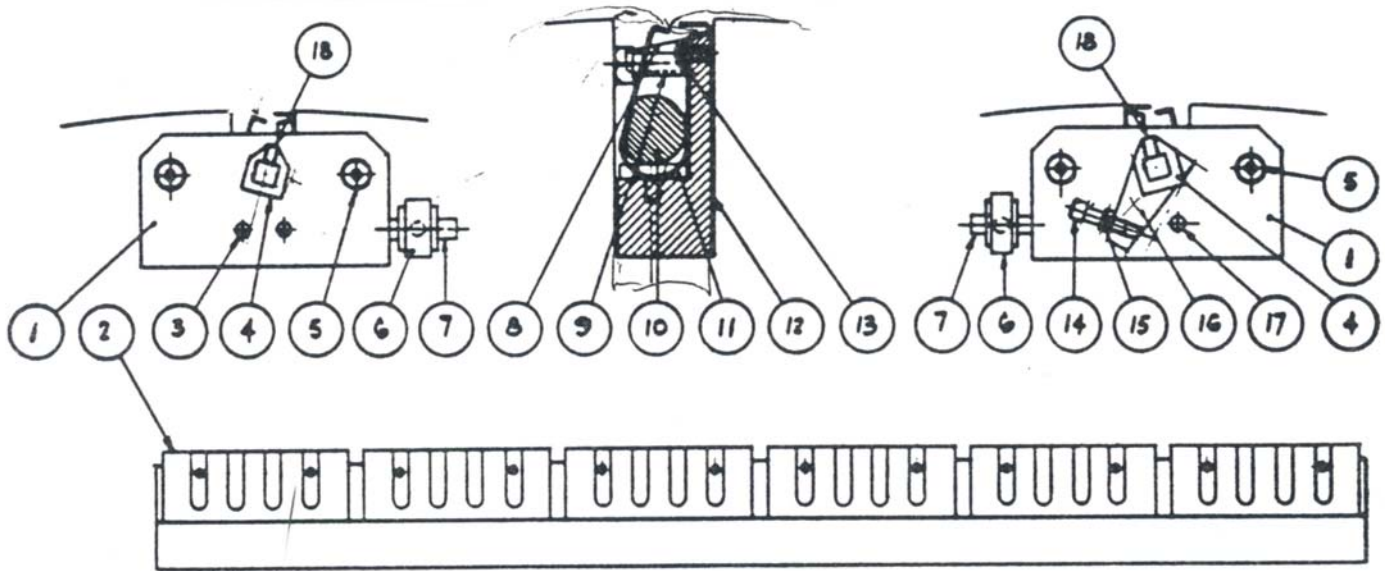
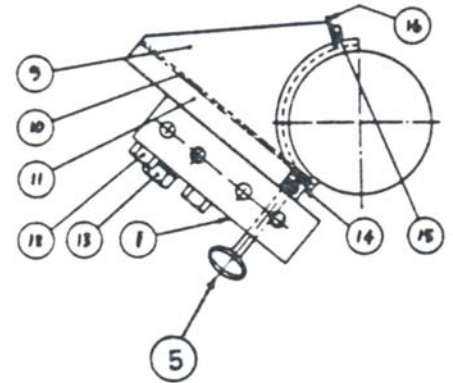
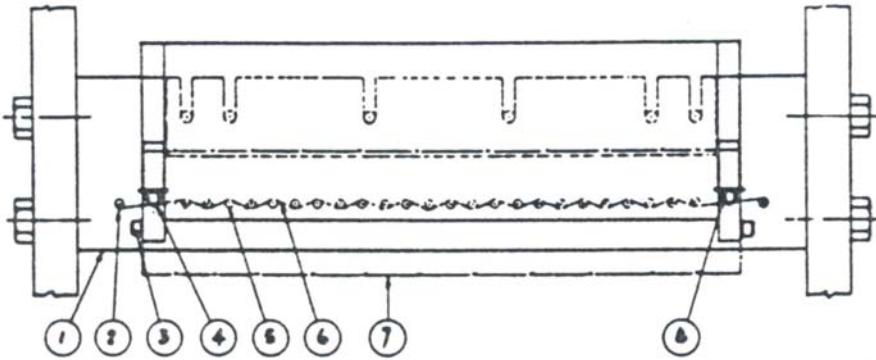


PLATE CYLINDER LOCKUP ASSEMBLY - 21-3/4" PRINT LENGTH

NO.	STOCK NO.	DESCRIPTION	GOSS PART NO.
1	40166	Side Register Block	1B-104917
2	40093	Spring	2D-025709
3	40586	Dowel Pin	146C-040001
4	40010	Sleeve	1B-099441
5	40587	Stripper Bolt	3104C-040131
6	40129	Register U-Bolt	B-119471
7	40130	Register Screw	B-094778
8	10131	Sidelay Pin	B-109612
9	40006	Jack Screw	2B-118873
10	40132	Plate Lockup Shaft	C-061973
	40133	Plate Lockup Shaft	C-091836
11	40134	Shaft Support Plate	B-108364
12	40135	Plate Lockup Yoke	C-091835
	40136	Plate Lockup Yoke	C-108321
13	40517	Spring Securing Screw	3618-891220
14	40524	Spring Tip Screw	2510C-040132
15	40588	Jam Nut	2520C-040149
16	40137	Swivel Block	B-094775
17	40563	Dowel Pin	168C-040001
18	40589	Set Screw	2502C-040142

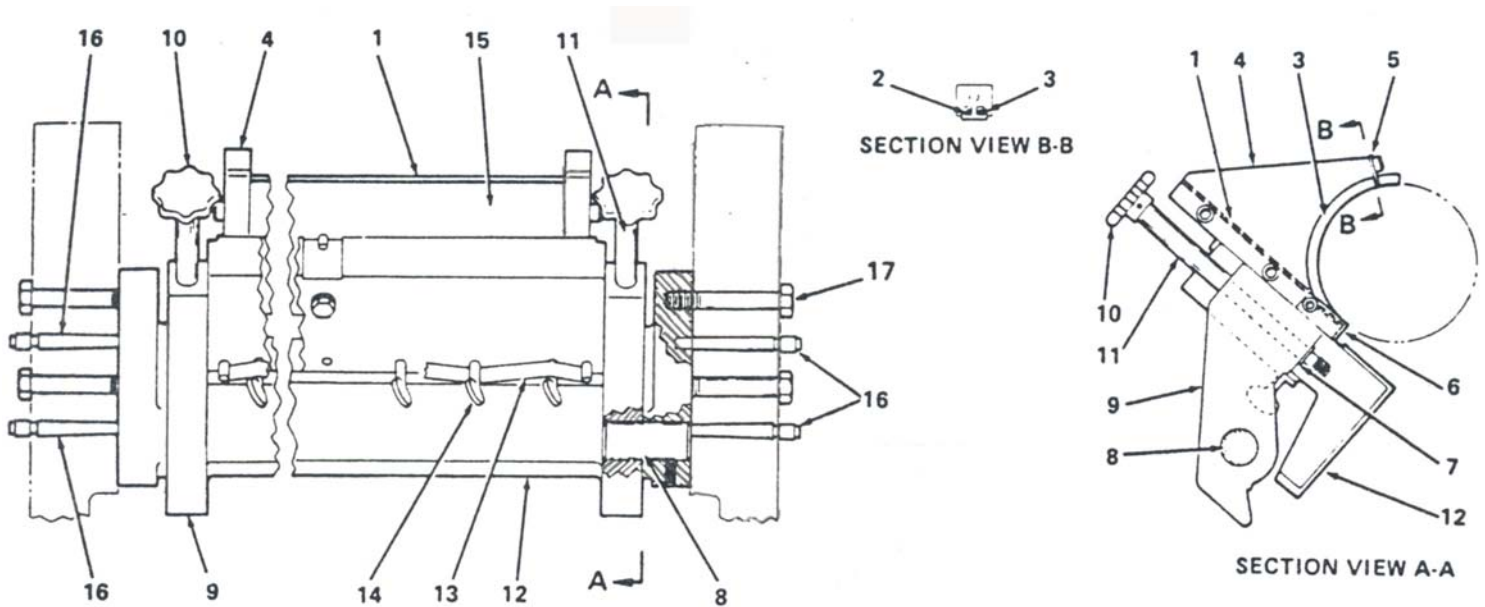
COMMUNITY UNIT



INK FOUNTAIN ASSEMBLY - FIXED TYPE

NO.	STOCK NO.	DESCRIPTION	GOSS PART NO.
1	40590	Ink Fountain Brace	C-070169
2	40591	Roll Pin	2522C-040082
3	40592	Cap Screw	1003C-040132
4	40102	Ink Fountain Seal	C-070172
5	40079	Thumb Screw	6635-891211
6	40593	Fountain Key Band	1B-115750
7	40064	Ink Fountain Roller	C-070173
8	40594	O-ring	243C-040162
9	40595	End Plate	B-119766
10	40103	Knife Blade	B-119765
11	40101	Support Bar	C-070171
12	40596	Cap Screw	3720C-040133
13	40597	Cap Screw	3716C-040133
14	40598	Seal Retainer	B-116203
	40828	Seal Retainer	B-148163
15	40592	Cap Screw	1003C-040132
16	40599	Seal Retainer	B-114138
	40829	Seal Retainer	B-116203

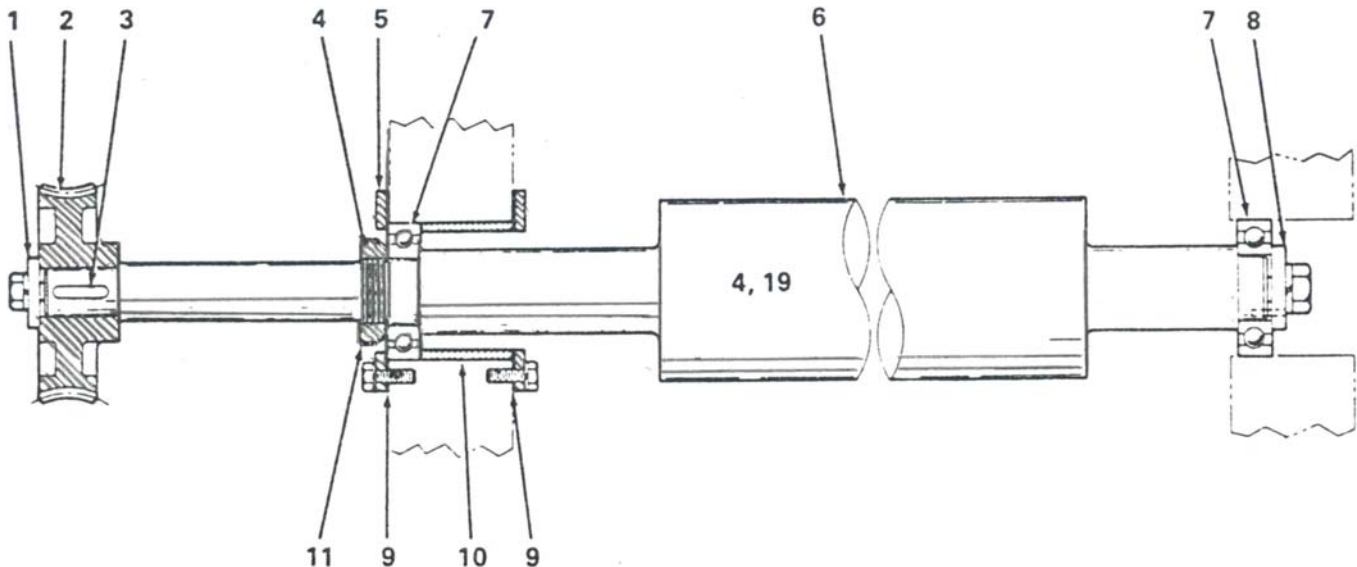
COMMUNITY UNIT



INK FOUNTAIN ASSEMBLY - SWING DOWN TYPE

NO.	STOCK NO.	DESCRIPTION	GOSS PART NO.
1	40103	Knife Blade	3B-119765
2	40594	O-Ring	243C-040162
3	40102	Fountain Seal	1C-070172
4	40830	Fountain End	1C-099499
5	40599	Upper Seal Retainer	1B-114138
6	40831	Lower Seal Retainer	1B-147734
7	40832	Retainer Ring	1935-885470
8	40833	Pivot Ring	1B-147619
9	40834	Fountain Body	1E-005973
10	40396	Hand Knob	B-083974
11	40835	Fountain Lockup Bolt	1B-147620
12	40836	Mounting Bracket	1E-005974
13	40953-1	Key Band	1B-115750
14	40079	Ink Key	6635-8912111
15	40837	Blade Support Bar	1C-100035
16	40838	Taper Pin	332C-040014

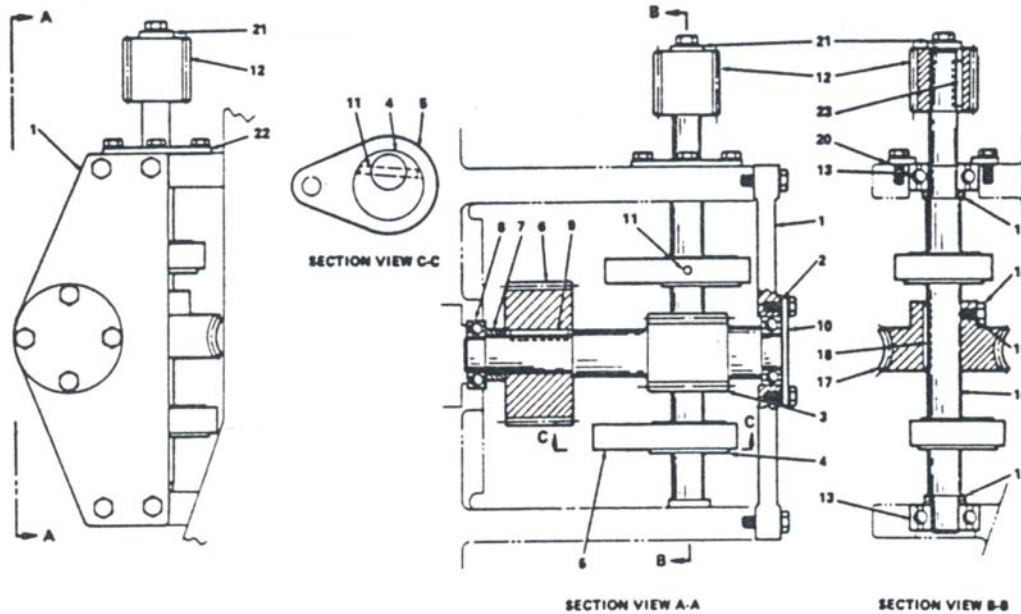
COMMUNITY UNIT



INK FOUNTAIN ROLLER ASSEMBLY

NO.	STOCK NO.	DESCRIPTION	GOSS PART NO.
1	40600	Washer	312C-040070
2	40043	Worm Gear	C-070377
	40606	Worm Gear	B-108291
	40040	Worm Gear	B-113307
3	40601	Square Key	87C-040003
4	40602	Bearing Locknut	106C-040123
5	40603	End Plate	B-108290
6	40065	Ink Fountain Roller	C-083426
	40066	Ink Fountain Roller	C-061903
7	40110	Bearing	547-722605
8	40604	Washer with Pin	414C-040070
9	40609	Shim Set	4B-108701
10	40605	Bearing Outer Race Spacer	2127C-040066
11	40608	Bearing Lockwasher	547-722605
	40839	Bearing Lockwasher	106C-040124

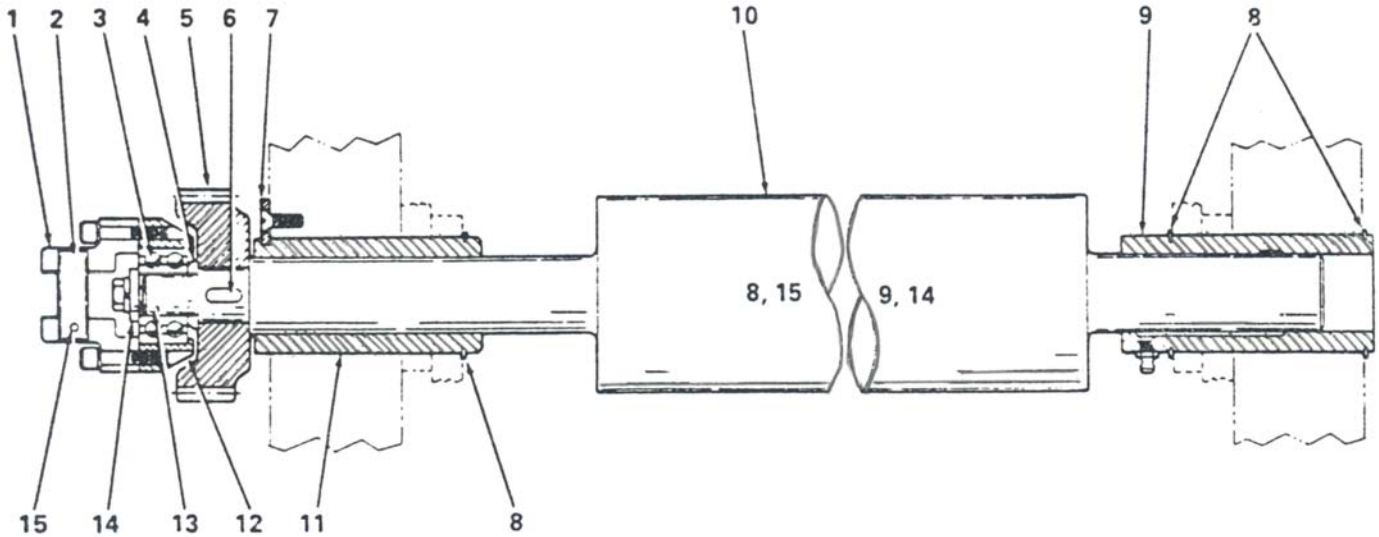
COMMUNITY UNIT



INK VIBRATOR / INK FOUNTAIN DRIVE ASSEMBLY

NO.	STOCK NO.	DESCRIPTION	GOSS PART NO.
1	40611	Inker Drive Support Plate	B-119988
2	40612	Shim	8A-003001
3	40045	Drive Worm Gear	C-070378
4	40613	Eccentric Bushing	B-108429
5	40614	Link	B-108427
6	40046	Drive Gear	C-070177
7	40615	Spacer	2505C-040064
8	40111	Bearing	1493-722673
9	40616	Key	148C-040003
10	40617	Mounting Plate	B-095332
11	40618	Roll Pin	2528C-040082
12	40043	Drive Worm	C-070377
13	40112	Bearing	1214-722673
14	40619	Jam Nut	5118C-040149
15	40620	Set Screw	416-819201
16	40087	Drive Shaft	C-070358
17	40045	Drive Worm Gear	C-070378
18	40557	Square Key	147C-040003
19	40621	Spacer	2102C-040064
20	40612	Shim	8A-003001
21	40623	Washer with Pin	310C-040070
22	40617	Mounting Plate	B-095332
23	2187	Square Key	123C-040003

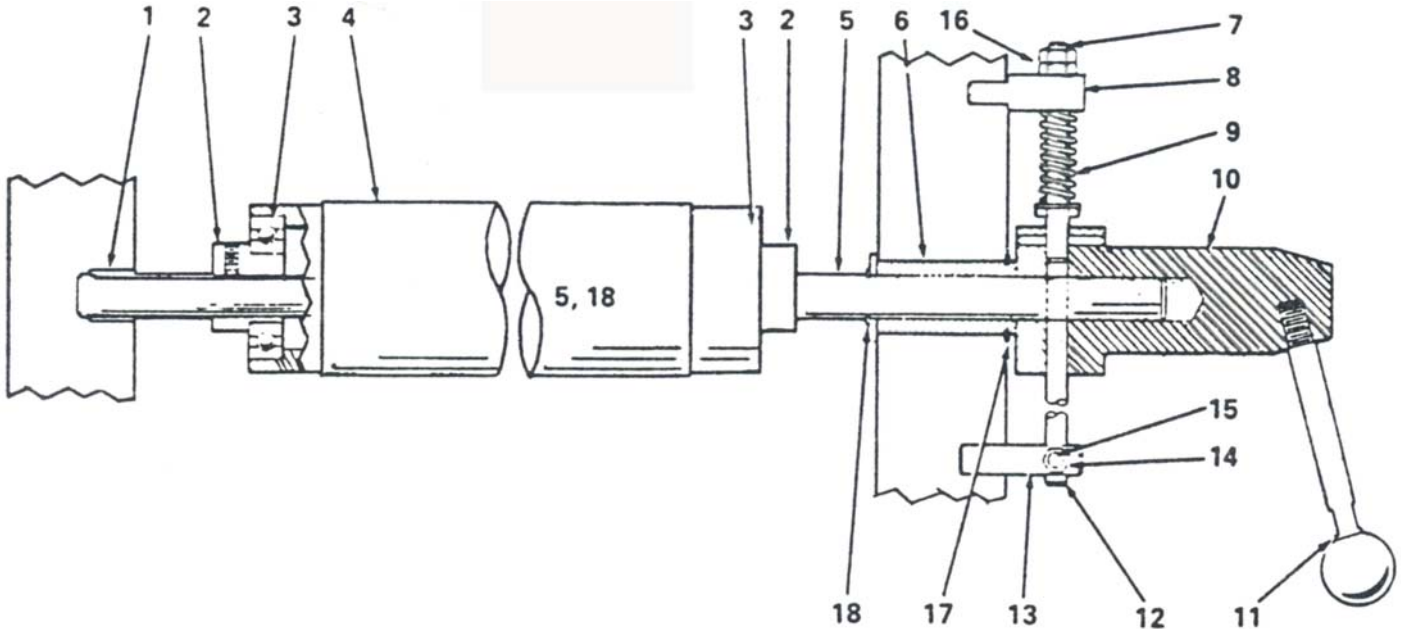
COMMUNITY UNIT



MAIN AND AUXILIARY INK DRUMS

NO.	STOCK NO.	DESCRIPTION	GOSS PART NO.
1	40621	Connector	B-113907
2	40624	Stud	2B-108387
3	40120	Bearing	5203C-040106
4	40625	Spacer	2B-113908
5	40047	Vibrator Drum Gear	1C-070168
	40048	Vibrator Drum Gear	C-065997
6	40626	Square Key	39C-040003
7	40627	Stop Plate	1B-145082
8	40798	Retaining Ring	1187-885470
9	40020	Bushing	1B-144471
	40021	Bushing	B-113045
10	40067	Ink Drum	C-094492
	40068	Ink Drum	C-065995
11	40020	Bushing	1B-144471
	40021	Bushing	B-113045
	40024	Bushing	C-070351
	40025	Bushing	C-070352
	40840	Bushing	22B-095421
12	40629	Connector Cap	2B-113906
13	40630	Dowel Pin	34C-040001
	40841	Dowel Pin	908C-040082
14	40631	Washer	1B-113433
15	40632	Roll Pin	920C-040082
	40841	Roll Pin	908C-040082

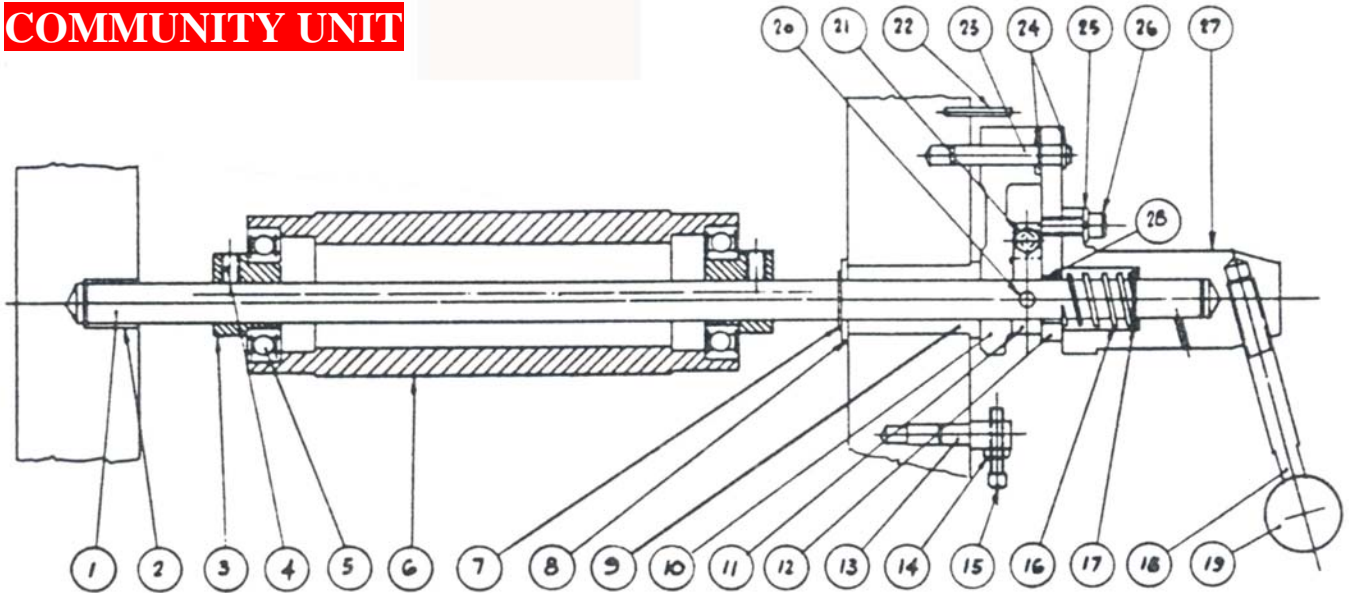
COMMUNITY UNIT



INK FEED ROLLER AND THROWOFF ASSEMBLY - NEW STYLE

NO.	STOCK NO.	DESCRIPTION	GOSS PART NO.
1	40026	Bushing	2B-729400
2	40633	Eccentric	1B-108444
3	40113	Bearing	547-722605
4	40003	Micrometric Roller (Ink Feed)	C-095891
5	40008	Shaft	1B-144599
6	40027	Bushing	1B-144600
7	40634	Spring Shaft	1B-145028
8	40058	Adjusting Stop Poppet	1B-145029
9	40094	Compression Spring	1B-145173
10	40635	Throwoff Hub	C-095444
11	40568	Throwoff Handle	1B-144608
12	40618	Stop Pin	2528C-040082
13	40636	Lever Stop Poppet	B-116800
	40842	Lever Stop Poppet	B-148127
14	40588	Jam Nut	2520C-040149
15	40637	Set Screw	2512C-040145
16	40076	Jam Nuts	3716C-040149
17	40638	Retaining Ring	125C-040164
18	40639	Retaining Ring	75C-040164

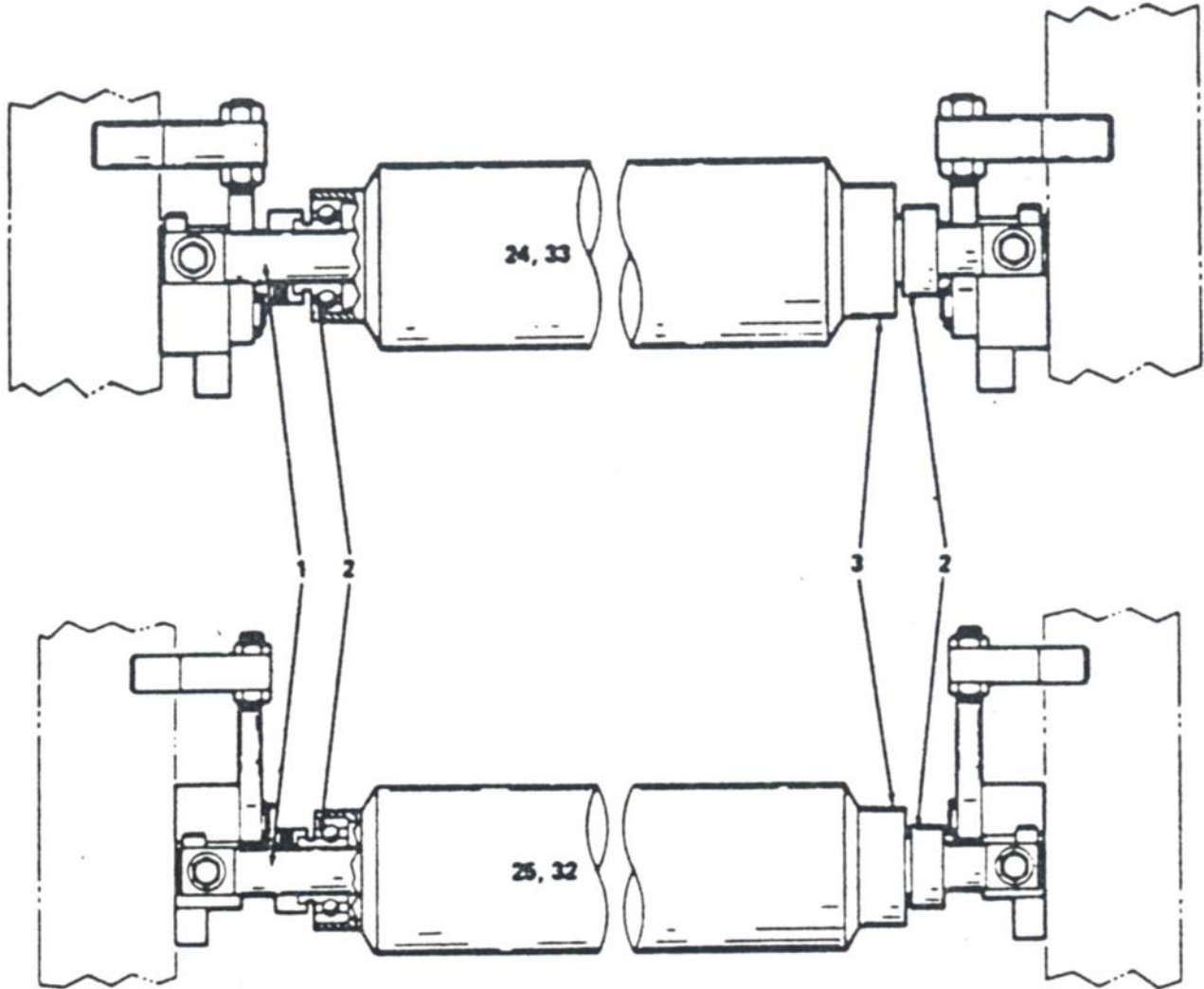
COMMUNITY UNIT



INK FEED ROLLER AND THROWOFF ASSEMBLY - OLD STYLE

NO.	STOCK NO.	DESCRIPTION	GOSS PART NO.
1	40089	Shaft	B-140767
2	40026	Bushing	28-729400
3	40633	Eccentric	B-108444
4	40640	Socket Set Screw	1524-891214
5	40114	Bearing	525-722605
6	40069	Micrometric Roller (Ink Pickup)	C-062039
7	40641	Retaining Ring	1947-885470
8	40642	Washer	2075C-040072
9	40028	Bushing	B-108519
10	40643	Lever	B-140770
11	40644	Collar	B-108556
12	40645	Lever	B-140768
13	40636	Poppet	B-116800
14	40588	Jam Nut	2520C-040149
15	40637	Square Head Screw	2512C-040145
16	40095	Spring	B-140867
17	40641	Retaining Ring	1947-885470
18	40647-3	Rod Handle	3B-140776
19	40648	Handle Ball	20-815007
20	40591	Roll Pin	2522C-040082
21	40637	Set Screw	2512C-040142
22	40588	Jam Nut	2520C-040149
23	40649	Dowel Pin	147C-040001
24	40650	Lock Pin	B-140769
25	40304	Retaining Ring	37C-040164
26	40651	Lockwasher	2031C-040073
27	40652	Cap Screw	3106C-040132
28	40653	Hub	C-089808
29	40029	Bushing	30-729400

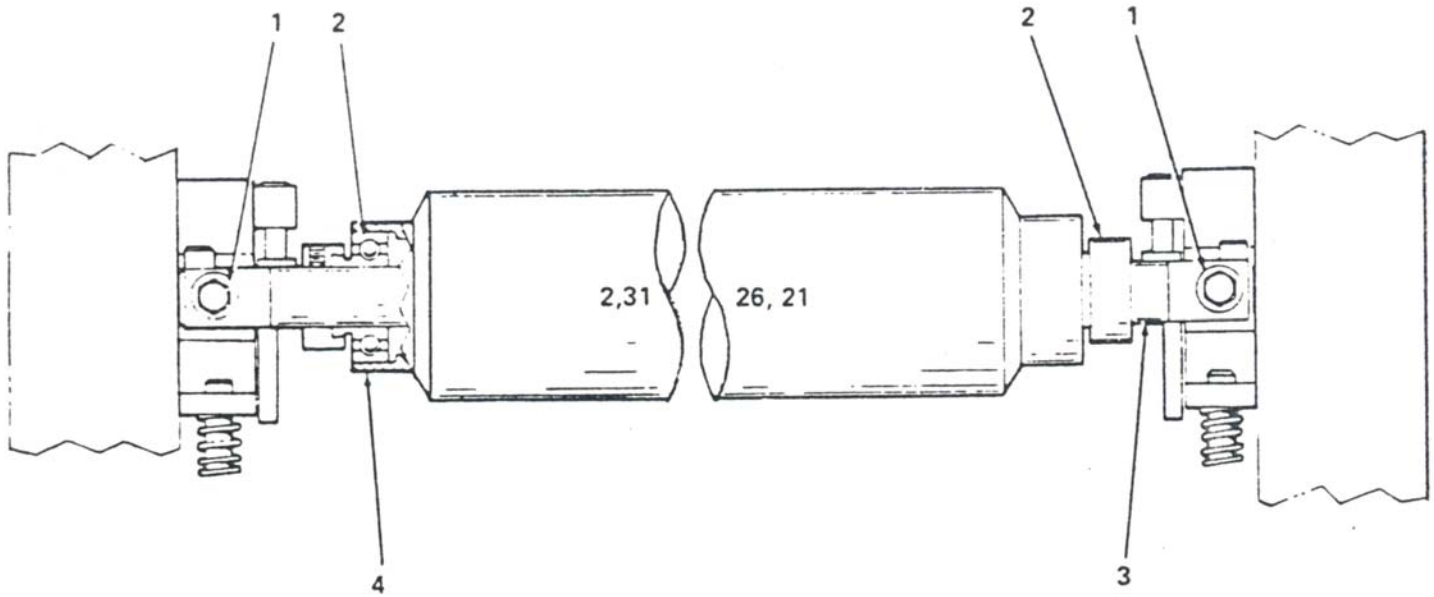
COMMUNITY UNIT



INK TRANSFER ROLLER

NO.	STOCK NO.	DESCRIPTION	GOSS PART NO.
1	40090	Shaft	B-108522
2	40115	Bearing with Collar	6-722605
3	40646	Roller Core	1B-108353

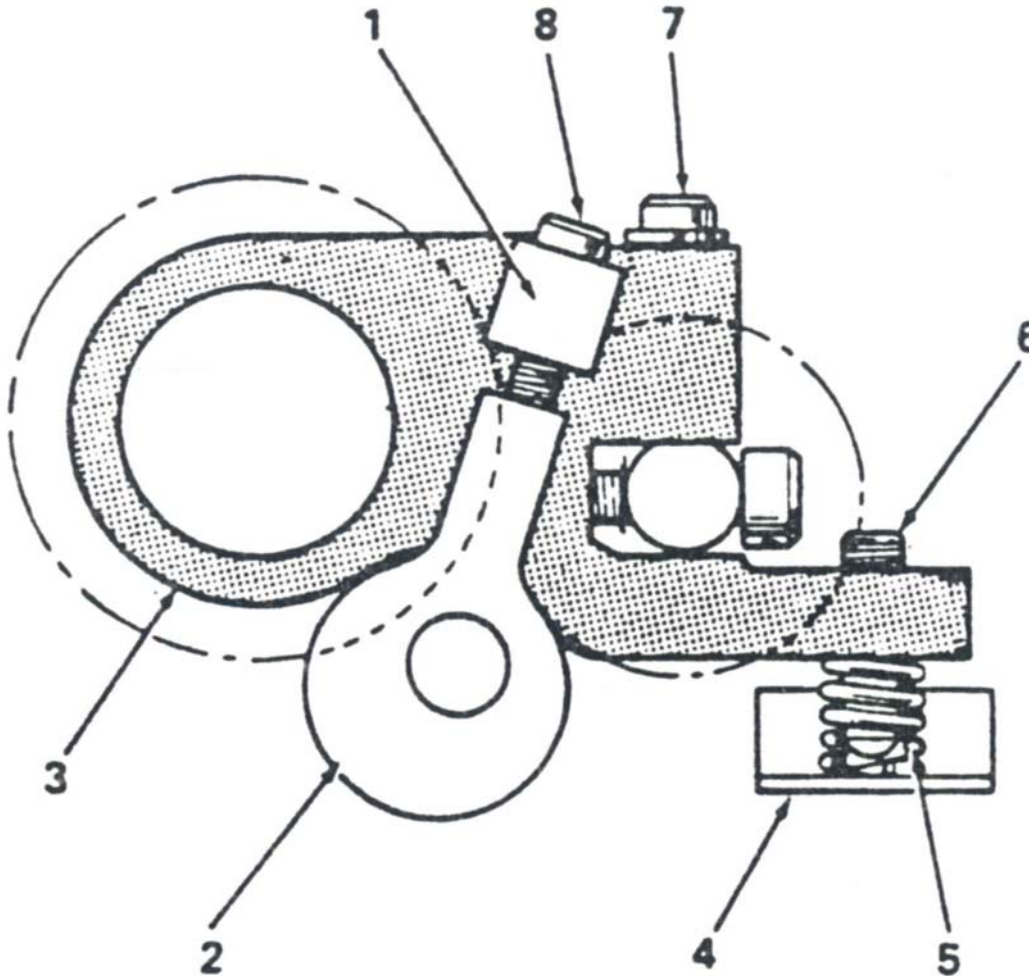
COMMUNITY UNIT



INK FORM ROLLERS

NO.	STOCK NO.	DESCRIPTION	GOSS PART NO.
1	40654	Washer	B-112891
2	40115	Bearing with Collar	6-722605
3	40090	Form Roller Shaft	1B-108522
	40655	Form Roller Shaft	B-126209
4	40646	Form Roller Core	1B-108353

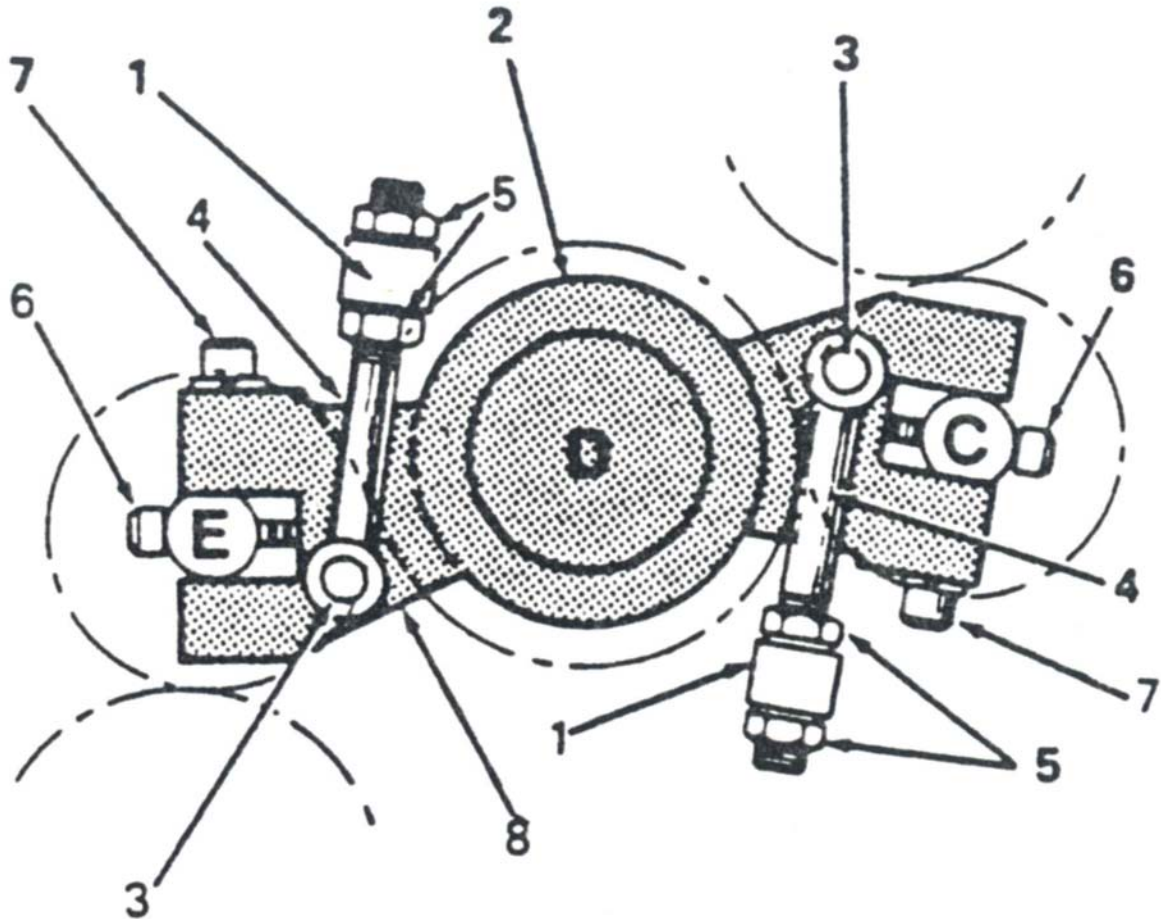
COMMUNITY UNIT



INK AND DAMPENR FORM ROLLER SOCKETS

NO.	STOCK NO.	DESCRIPTION	GOSS PART NO.
1	40060	Adjustment Poppet	B-119954
2	40138	Throwoff Link	B-119950
3	40139	Socket Body	C-070369
4	40656	Stop Plate	CB-119975
5	40096	Throwoff Spring	B-122810
	40097	Throwoff Spring	B-119952
6	40080	Stop Screw	B-120115
7	40657	Lock Screw	410-891201
8	40658	Adjusting Screw	5136-891201

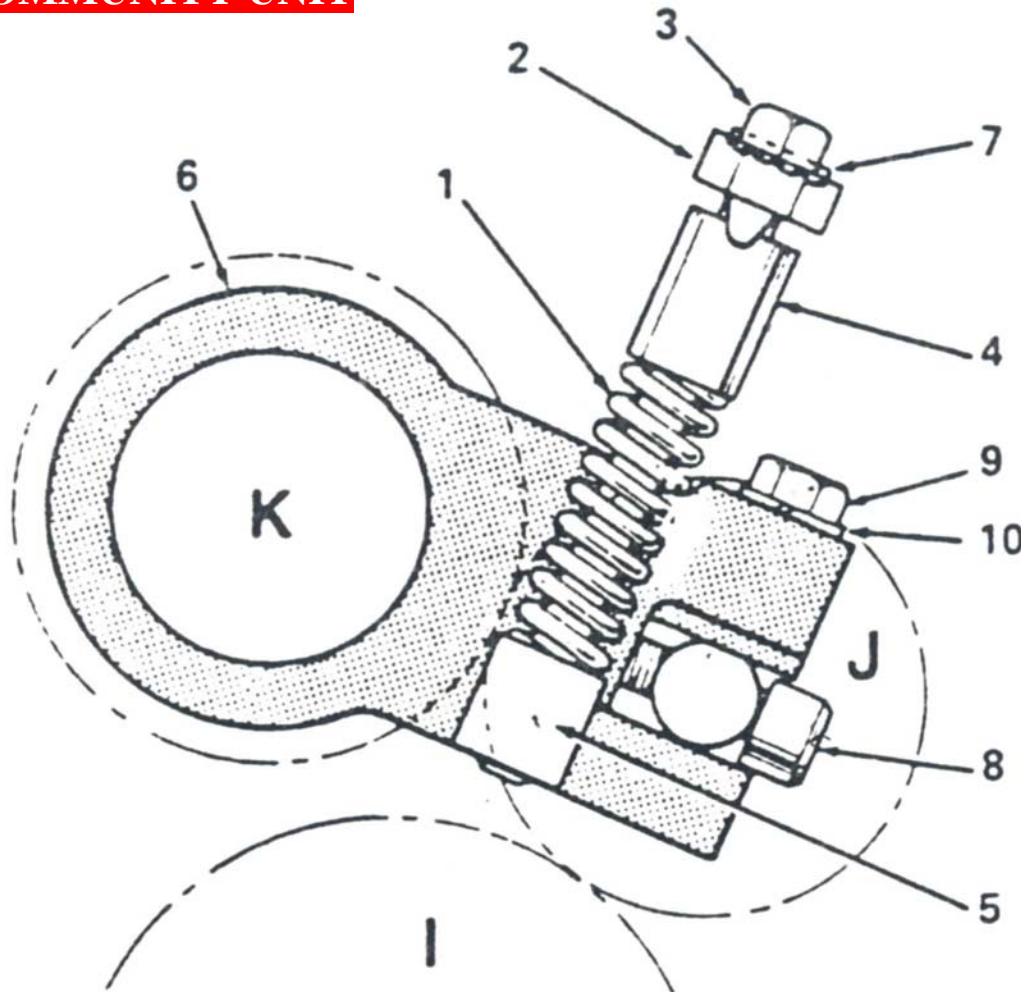
COMMUNITY UNIT



INK TRANSFER ROLLER SOCKETS

NO.	STOCK NO.	DESCRIPTION	GOSS PART NO.
1	40061	Adjustment Poppet	B-108532
2	40140	Socket Body	C-065996
3	40141	Socket Throwoff Pin	B-109087
4	40142	Eyebolt	6-759000
5	40076	Jam Nuts	3716C-040149
6	40657	Adjusting Screw	410-891201
7	40843	Lock Screw	2514C-040132
8	40140	Socket Body	C-065996

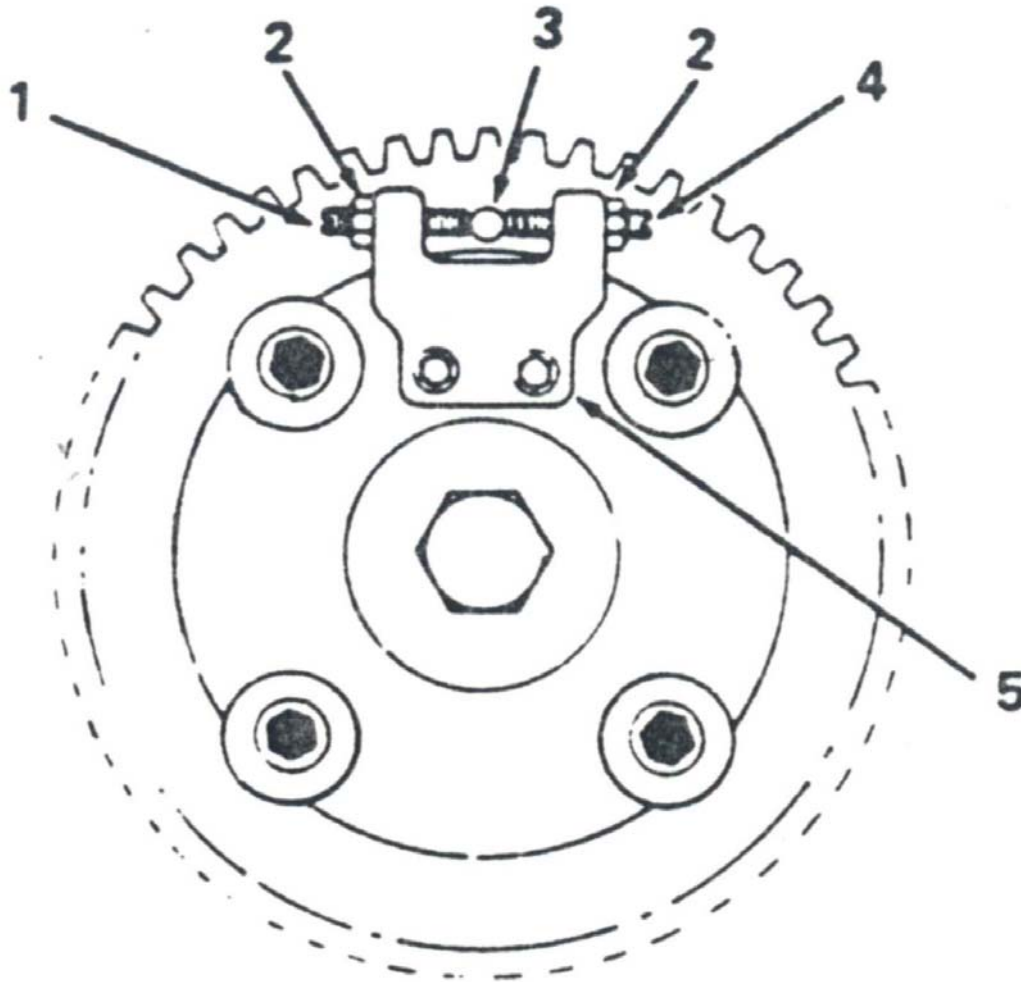
COMMUNITY UNIT



DAMPENER FEED ROLLER SOCKET

NO.	STOCK NO.	DESCRIPTION	GOSS PART NO.
1	40098	Compression Spring	B-127712
2	40146	Cam Nut	B-121823
3	40323	Adjusting Bolt	B-121825
4	40062	Spring Support Poppet	B-123285
5	40063	Roller Adjustment Poppet	B-123284
6	40144	Socket Body	C-073460
	40844	Socket Body	C-073470
7	40659	Roll Pin	912C-040082
8	40657	Adjusting Screw	410-891201
9	40657	Lock Screw	410-891201
10	40654	Washer	B-112891

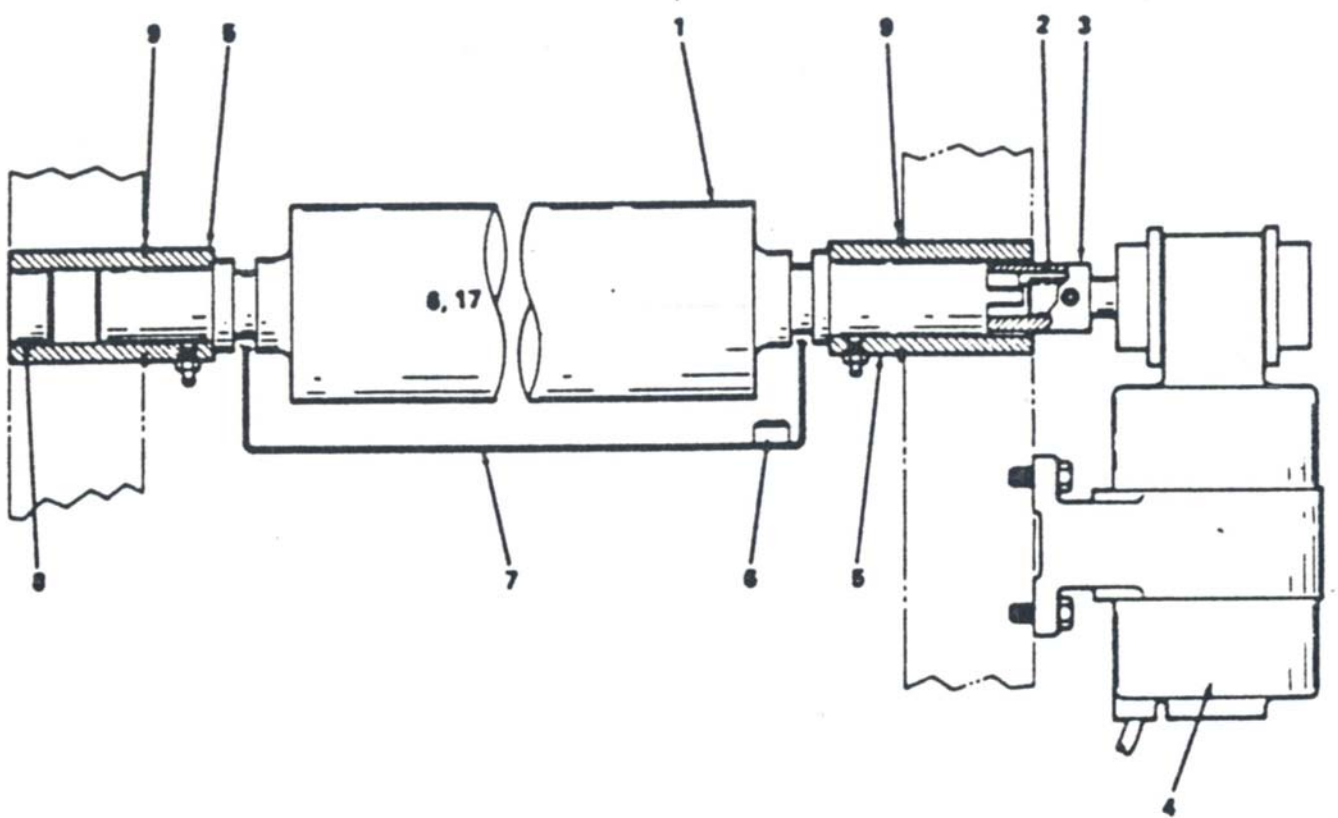
COMMUNITY UNIT



BACK-TO-BACK REGISTER GEAR RIM

NO.	STOCK NO.	DESCRIPTION	GOSS PART NO.
1		Left Hand Adjusting Screw	C-040144
2	40588	Jam Nut	2520C-040149
3	40649	Stop Pin	136C-040001
4		Right Hand Adjusting Screw	C-040144
5	40660	Adjusting Block	B-120953

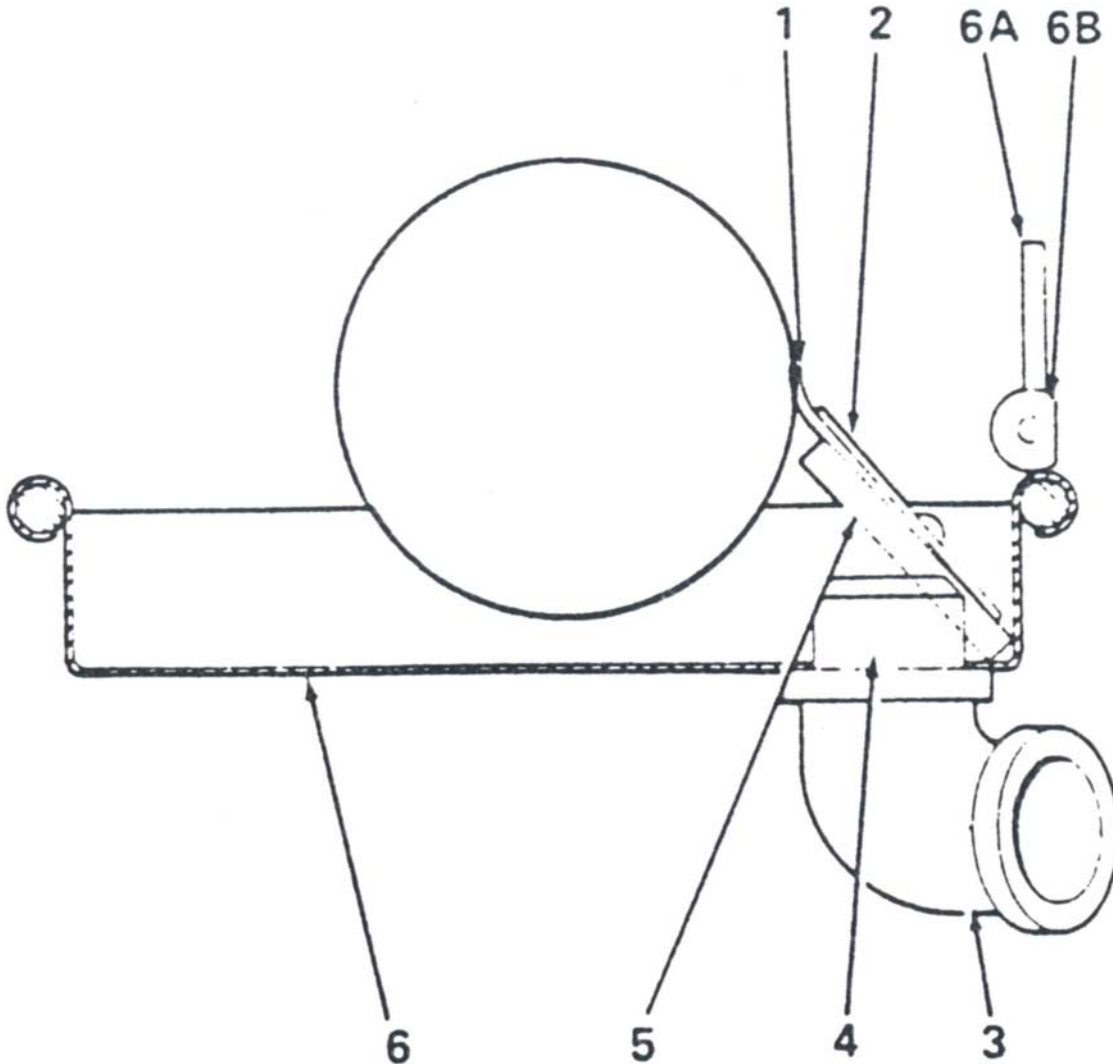
COMMUNITY UNIT



DAMPENER FOUNTAIN ROLLER ASSEMBLY

NO.	STOCK NO.	DESCRIPTION	GOSS PART NO.
1	40070	Dampener Fountain Roller	C-093547
2		Square Key	
3	40661	Connector	B-108487
4	40459	Fountain Roller Gearmotor (10s)	C-061913
	40460	Fountain Roller Gearmotor (13s)	
5	40030	Bushing	B-143805
6		Standpipe	
7	40202	Dampener Pan	C-091178
8	40662	Plug	B-104513
9	40199	Special Washer	B-095717
X	40700	Gear Shaft for Motor	

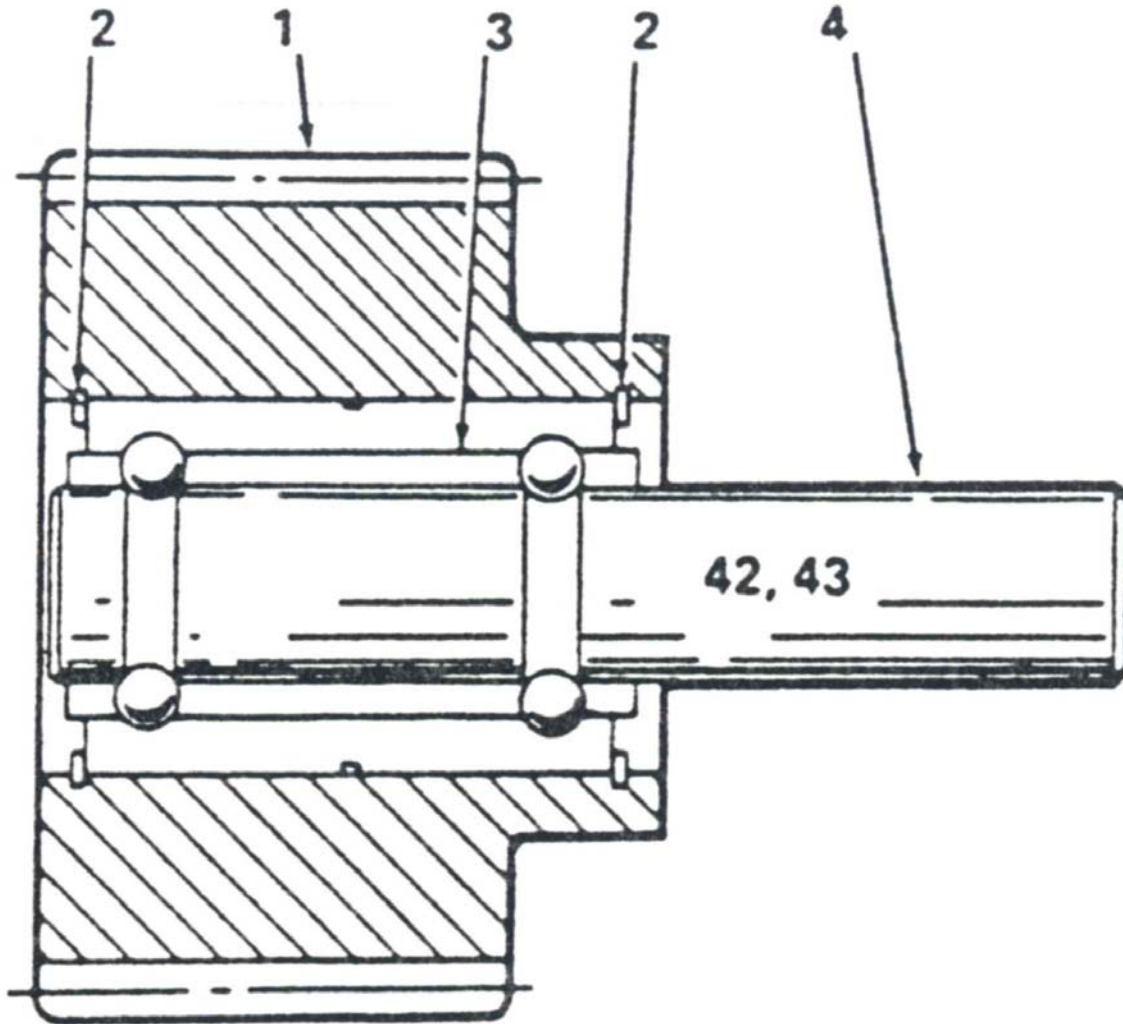
COMMUNITY UNIT



DAMPENER FOUNTAIN PAN & WATER STOP ASSEMBLY

NO.	STOCK NO.	DESCRIPTION	GOSS PART NO.
1	**	Dampener Stop Blanket	1C-001306
2	**	Dampener Stop Plate	1C-001306
3		Elbow	
4		Standpipe	
5	**	Retaining Plate	1C-001306
6	40202	Dampener	C-091178
6A	40663	Roll Pin	1824C-040082
6B	40664	Locking Pawl	B-113240

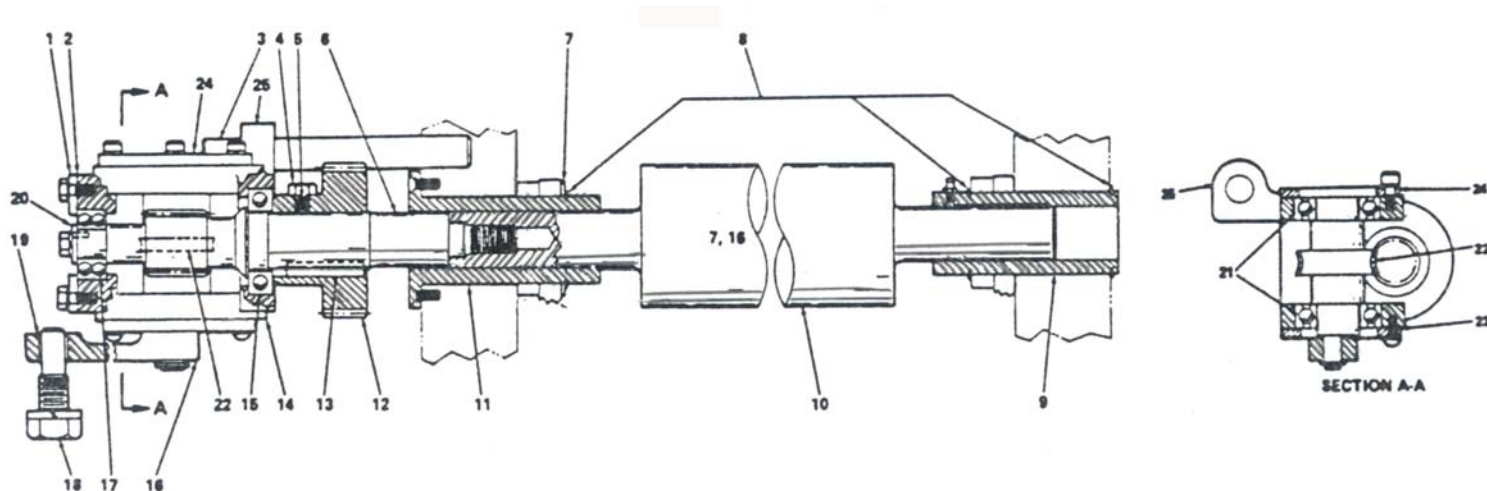
COMMUNITY UNIT



INTERMEDIATE DAMPENER DRUM GEAR

NO.	STOCK NO.	DESCRIPTION	GOSS PART NO.
1	40054	Gear	C-070170
2	40665	Retaining Ring	969-885470
3	40116	Bearing	299-722605
4	40666	Shaft & Bearing Assembly	

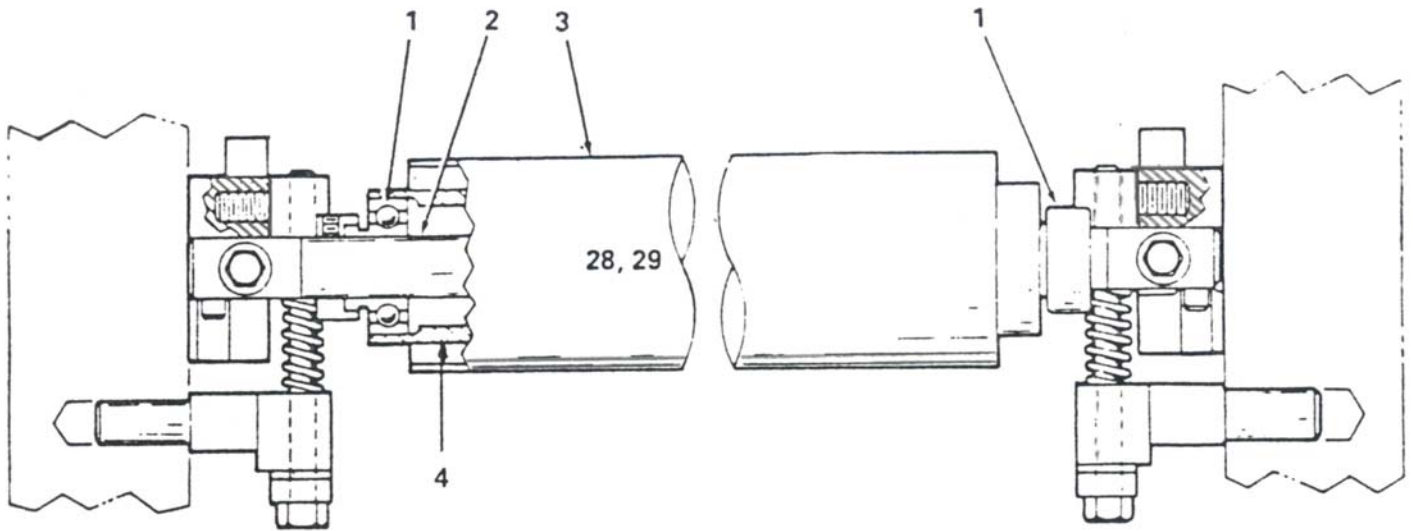
COMMUNITY UNIT



DAMPENER DRUM VIBRATOR ASSEMBLY

NO.	STOCK NO.	DESCRIPTION	GOSS PART NO.
1	40667	End Plate	B-110697
2	40668-5	Shim Set	4B-110693
3	40669	Housing Support Rod	B-119887
4	40076	Jam Nut	3716C-040149
5	40283	Spotting Set Screw	3B-105603
6	40050	Dampener Vibrator Worm	C-077112
7	40670	Washer	
8	40198	Retaining Ring	1187-885470
9	40021	Bushing	B-113045
10	40105	Dampener Vibrator Drum (RH)	1C-070310
	40106	Dampener Vibrator Drum (LH)	2C-070310
11	40025	Bushing	C-070352
12	40053	Gear	C-070188
13	40616	Key	148C-040003
14	40671	Housing	D-022141
15	40117	Bearing	98-722605
16	40672	Link	B-141206
	40845	Link	B-119886
	40846	Link	B-121828
17	40120	Bearing	5203C-040106
18	40673	Link Stud	B-119883
19	40674	Bronze Bearing	1100C-040075
20	40675	Washer with Pin	207C-040070
21	40119	Bearing	6206C-040100
22	40049	Vibrator Drive Gear	B-127371
	40847	Vibrator Drive Gear	B-110027
23	40676	Shim Set	B-119882
24	40677	End Plate	B-119885
25	40671	Housing	D-022141

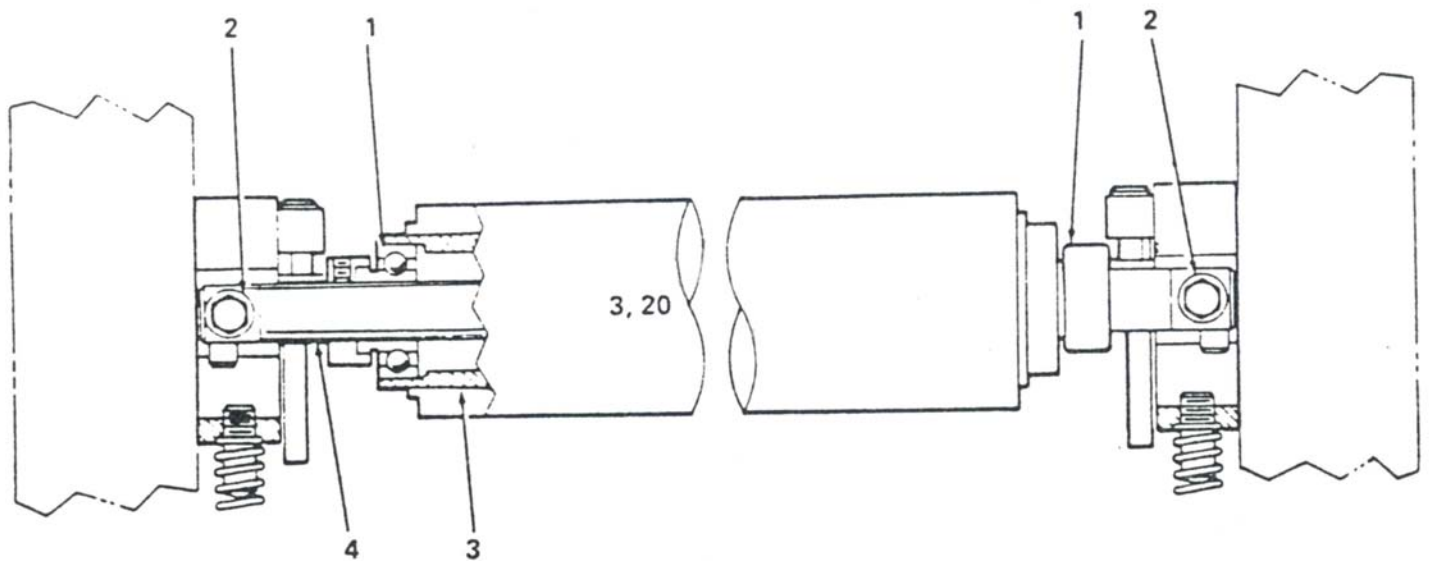
COMMUNITY UNIT



DAMPENER FEED ROLLER ASSEMBLY

NO.	STOCK NO.	DESCRIPTION	GOSS PART NO.
1	40115	Bearing with Collar	6-722605
2	40090	Roller Shaft	1B-108522
3	40678	Cotton Tubing	12-908400
4	40646	Roller Core	B-108353

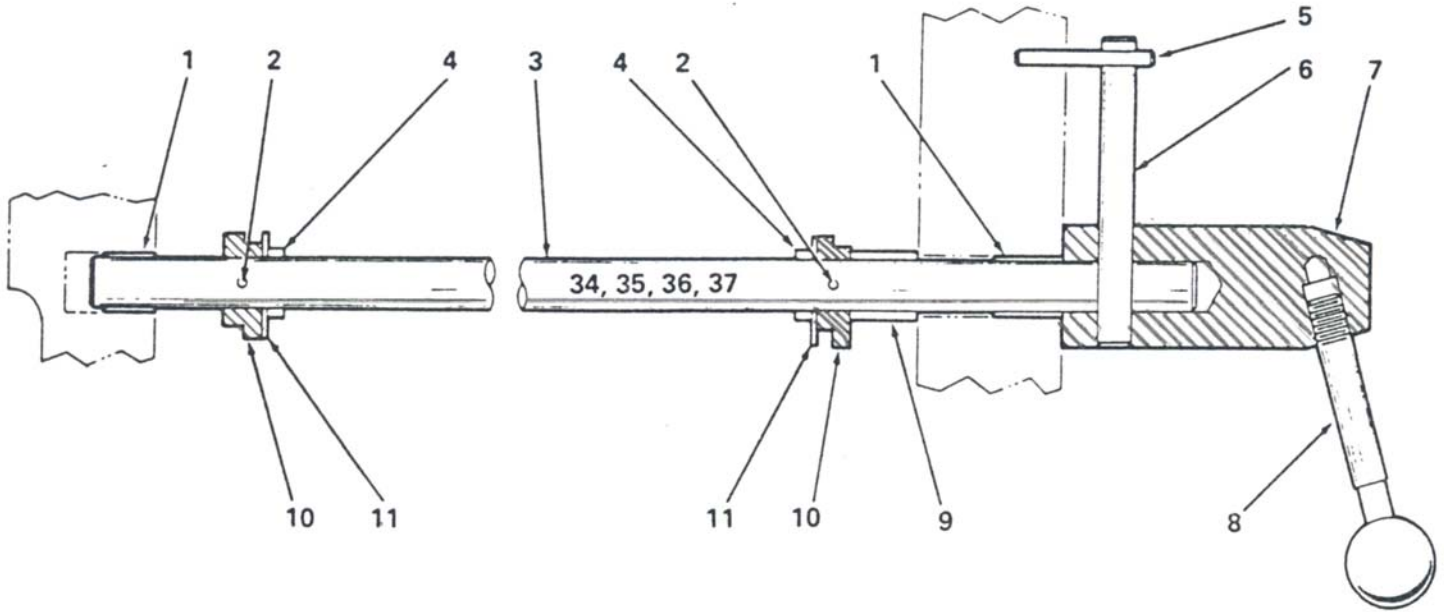
COMMUNITY UNIT



DAMPENER FORM ROLLER ASSEMBLY

NO.	STOCK NO.	DESCRIPTION	GOSS PART NO.
1	40115	Bearing with Collar	6-722605
2	40654	Washer	B-112891
3	40646	Roller Core	B-108353
4	40090	Roller Shaft	B-108522

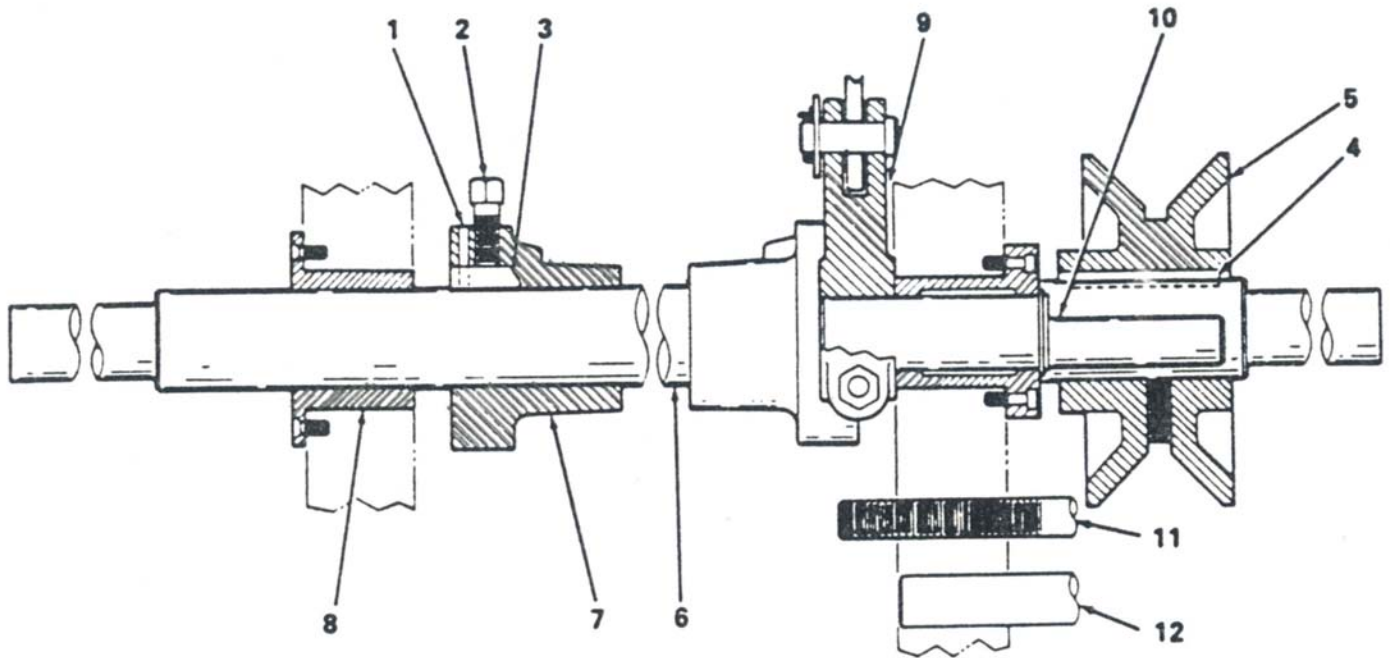
COMMUNITY UNIT



INK & DAMPENR FORM ROLLER THROWOFF ASSEMBLY

NO.	STOCK NO.	DESCRIPTION	GOSS PART NO.
1	20107	Bushing	29-729400
2	40679	Roll Pin	1820C-040082
3	40091	Roller Shaft	B-119953
4	40680	Collar	750C-040081
5	40681	Dowel Pin	215C-040001
6	40682	Pin	B-145026
7	40683	Throwoff Lever	C-094996
	40684	Throwoff Lever	D-030030
	40848	Throwoff Lever (Ink)	C-120066
	40849	Throwoff Lever (Damp)	B-120065
8	40568	Throwoff Handle	B-114608
9	40685	Spacer	1610C-040064
	40850	Spacer	1606C-040064
10	40686	Eccentric	B-119951
11	40642	Washer	2075C-040072

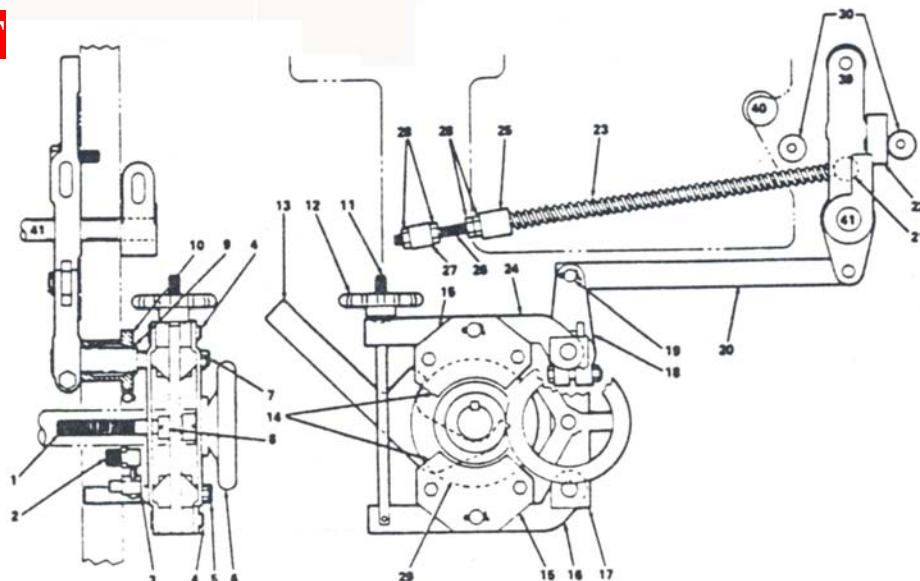
COMMUNITY UNIT



PAPER ROLL SHAFT ASSEMBLY

NO.	STOCK NO.	DESCRIPTION	GOSS PART NO.
1	30082	Dowel Pin	124C-040001
2	30093	Square Head Set Screw	5012C-040145
3	30084	Paper roll Chuck Key	B-108562
4	30085	Square Key	247CC-040003
5	30028	Tension Pulley	C-554484
6	30012	Paper Roll Shaft	B-108482
7	30029	Core Chuck	C-062061
	30030	Core Chuck	C-062062
8	30021	Paper Roll Journal Bearing	2B-108352
	30022	Paper Roll Journal Bearing	C-144533
9	30086	Eccentric Brake Lever	B-108468
10	30013	Eccentric Shaft	B-108465
	30014	Eccentric Shaft	B-144365
11	30031	Sidelay	B-108466
12	30032	Sidelay Bar Stud	3B-097322

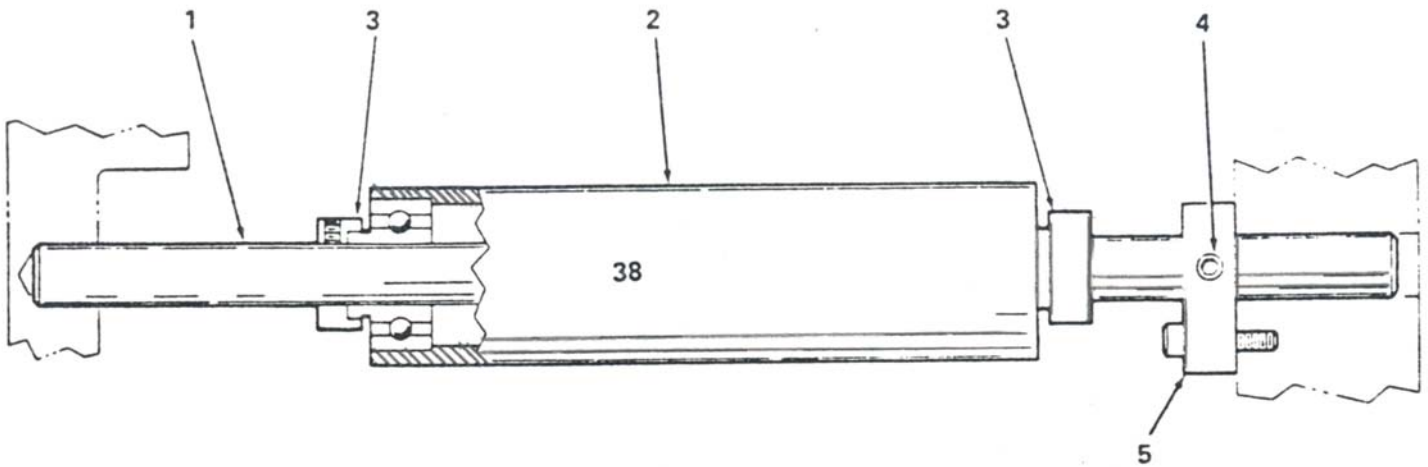
COMMUNITY UNIT



PAPER ROLL SIDELAY, TENSION CONTROL & BRAKE

NO.	STOCK NO.	DESCRIPTION	GOSS PART NO.
1	30031	Sidelay Screw	B-108466
2	30040	Roll Loading Pin	B-140764
3	40057	Lever Stop Poppet	B-108418
4	30041	Clevis Pin	22-863300
5	30033	Sidelay Bar Stud	3-897322
6	30087	Sidelay Handwheel	2C-094736
7	30014	Eccentric Shaft	B-144365
8	30088	Collar	B-099738
9	30089	Retaining Ring	150C-040164
10	30023	Eccentric Shaft Bushing	C-055021
11	30042	Brake Tension Screw	2B-119892
12	30043	Brake Shoe Handwheel	B-106700
13	30090	Roll Loading Lever	C-090149
14	30049	Brake Block (Green Gripper)	B-131708
	30051	Brake Block (Green Gripper)	B-145239
15	30019	Brake Shoe	C-095185
16	30091	Brake Shoe Lever	C-094283
17	30092	Sidelay Bar	C-144371
18	30093	Eccentric Brake Lever	C-094291
19	40172	Clevis Pin	6216-863308
20	30038	Brake Link	2B-108469
21	30081	Steel Ball	B-097542
22	30094	Spacer Block	
23	40099	Compression Spring	B-140856
24	30095	Brake Shoe Lever	C-094282
25	30036	Knureled Nut	B-109657
26	30034	Tension Control Rod	B-108892
27	30037	Swivel Stud	3B-097543
28		Jam & Stop Nuts	6211C-040149
29	30028	Tension Pulley	C-054484
30	30010	Bumper	B-108467

COMMUNITY UNIT



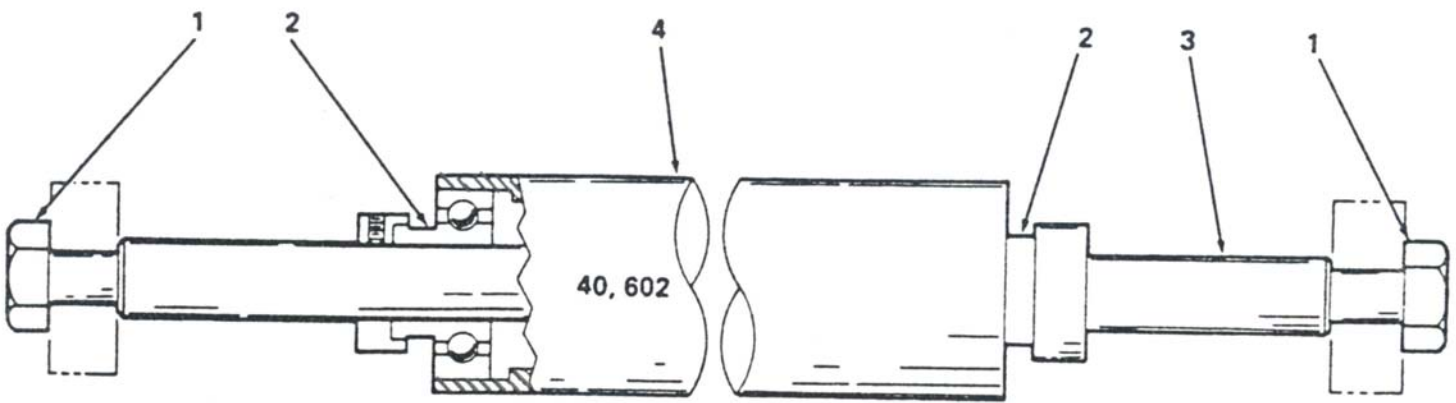
LEAD-IN ROLLER ASSEMBLY

NO.	STOCK NO.	DESCRIPTION	GOSS PART NO.
1	30015	Roller Shaft	444C-065375
	30016	Roller Shaft	B-108643
2	40646	Lead-In Roller	B-108353
	30025	Lead-In Roller	B-108425
3	40855	Bearing with Collar	8-722605
4	30096	Socket Set Screw	3103C-040142
5	30097	Collar	B-141745

www.a-americanpressparts.com

Check our website for updates!

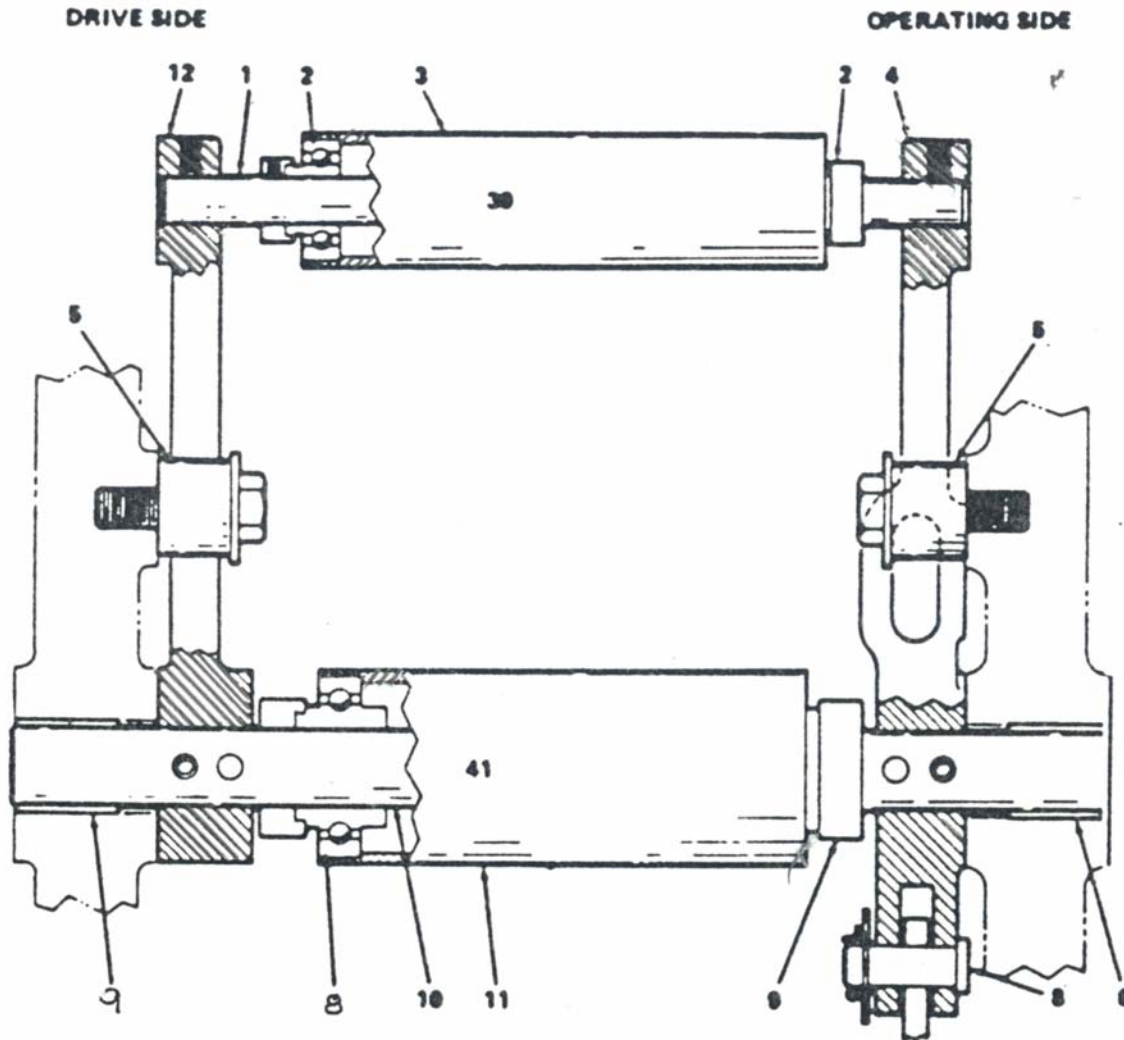
COMMUNITY UNIT



LEAD-IN ROLLER & IDLER ROLLER ASSEMBLY

NO.	STOCK NO.	DESCRIPTION	GOSS PART NO.
1	40081	Body Fit Cap Screw	12AR-008906
2	40115	Bearing with Collar	6-722605
3	30017	Shaft	1B-108642
4	40646	Roller	B-108353

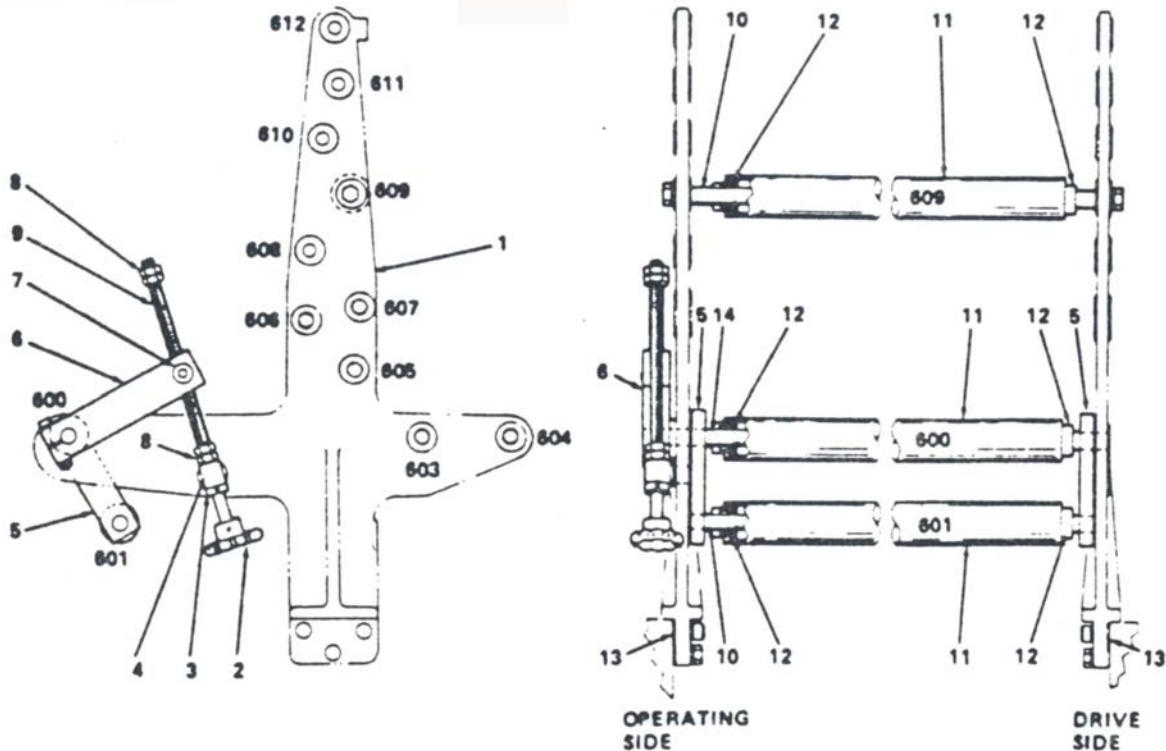
COMMUNITY UNIT



GOVERNOR ROLLER & LEAD-IN ROLLER ASSEMBLY

NO.	STOCK NO.	DESCRIPTION	GOSS PART NO.
1	30016	Govenor Roller Shaft	1B-108643
2	40015	Bearing with Collar	6-722605
3	30025	Govenor Roller	1B-108425
4	30098	Spring Roller Lever - Op. Side	1C-089812
5	30010	Bumper	B-108467
6	30024	Bushing	36-729400
7	40172	Clevis Pin	6216-863308
8	30100	Bearing with Collar	10-722605
9	30101	Lead-In Roller Shaft	B-140771
10	30026	Lead-In Roller	3C-053429
11	30099	Spring Roller Lever - Dr. Side	1C-090065

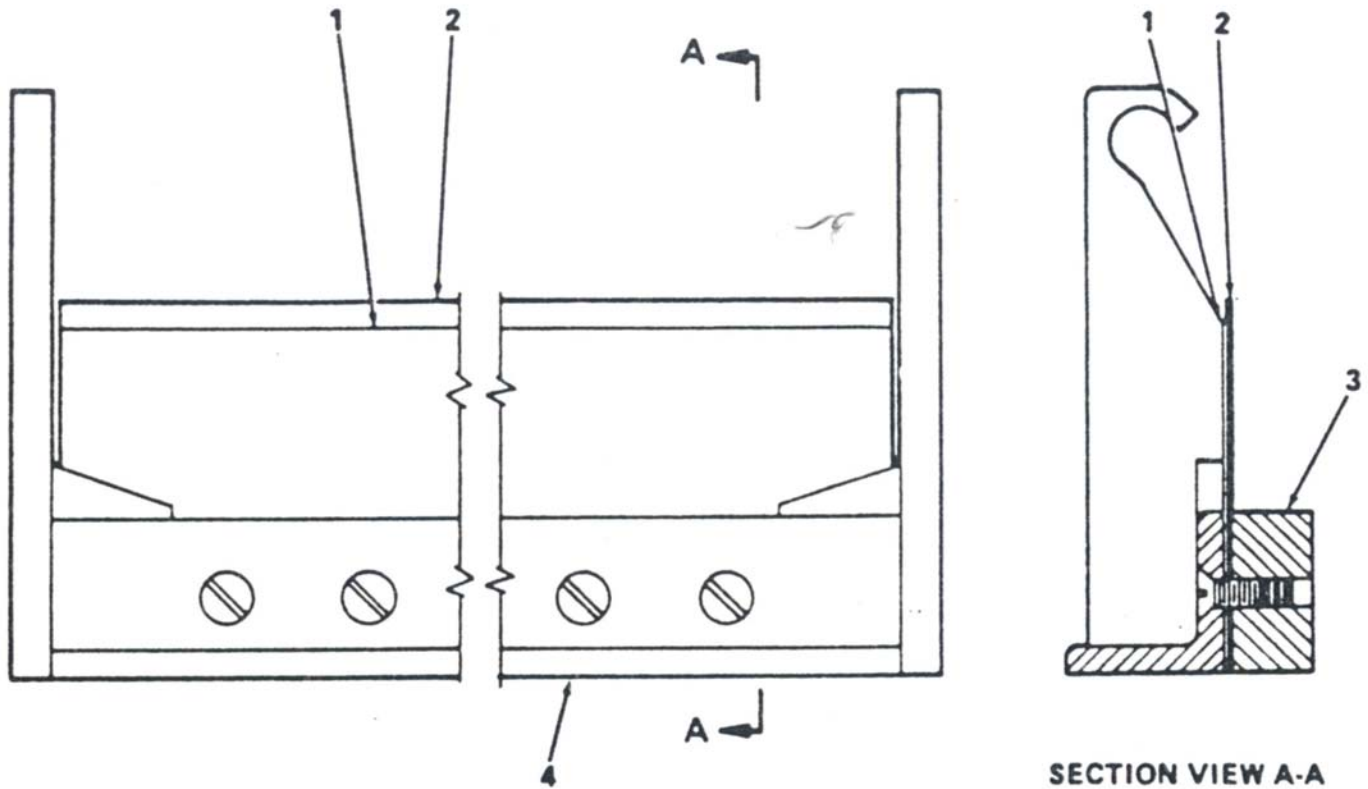
COMMUNITY UNIT



ROLLER BRACKET & COMPENSATOR ASSEMBLY

NO.	STOCK NO.	DESCRIPTION	GOSS PART NO.
1	40687	Frame	E-005064
2	40688	Handknob	B-108746
3	40689	Collar	B-144279
4	40690	Stud	B-144276
	40851	Stud	B-108745
5	40691	Inside Lever	B-144747
	40852	Inside Lever	B-108747
6	40692	Outside Lever	B-108748
7	40693	Swivel Pin	B-108744
	40853	Swivel Pin	B-144281
8	40854	Jam Nuts	3118C-040149
9	40694	Adjusting Rod	B-108743
	40690	Adjusting Rod	B-144276
10	30017	Shaft	B-108642
11	30025	Roller	B-108425
12	40695	Bearing with Collar	
13	40696	Shim	B-145153
14	30016	Shaft	3B-108643

COMMUNITY UNIT



WASHUP DEVICE

NO.	STOCK NO.	DESCRIPTION	GOSS PART NO.
1	40016	Scraper Spring	B-095811
2	40015	Scraper Blade	B-095812
3	40352	Support Bar	C-053128
4	40353	Bracket	C-059956
	40351	Complete Assembly	