



GOSS 2:1 FOLDER

SEE THE LIGHT

For PRESSROOM SAVINGS



888-434-0888
Toll Free

**Stocking Manufacturer of
Quality Replacement Parts**

(815) 965-0884 Fax (815)965-1049



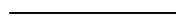
Welcome to the Quality and Service of A-American Press Parts Division. This Catalog is offered to our customers as an easy reference which will assist you in ordering your replacement parts. For your convenience it has been assembled in an ADOBE ACROBAT .PDF format. This is not a complete listing of all parts that are available, as many parts have varying detail numbers based on the type of equipment you have, the age of your equipment and the Model Revision of your equipment. If you do not find precisely what you are looking for please contact us and make use of our service department's combined 70 years of experience with Goss Equipment.

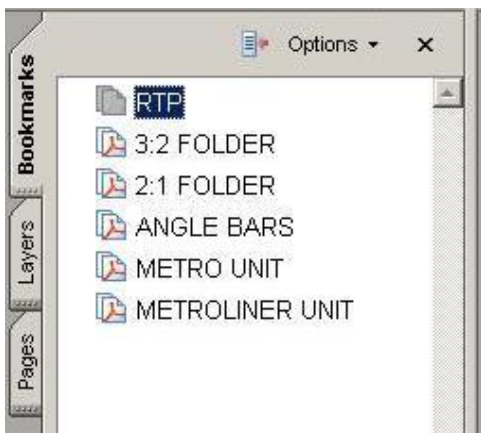
We are committed to offering our customers replacement parts of the highest quality and all parts are manufactured to meet or exceed O.E.M. specifications. If for any reason you are not completely satisfied with any product purchased you may return it for replacement, refund or credit.

MISSION STATEMENT

**To offer the Newspaper industry
excellent service and delivery
of the highest quality replacement components
for printing presses and their related equipment.**

Bookmarks!

For your convenience we have added **bookmarks** to make it easier to navigate through these catalogs. If you look to the left side of the Adobe Acrobat Reader Window you will see this button:  Click this button to open the bookmarks window.

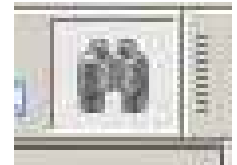


With this window open you may now click to go to any catalog you wish at any time. On each catalogs Table of Contents you will find page numbers that you can click on to be taken to any given page.

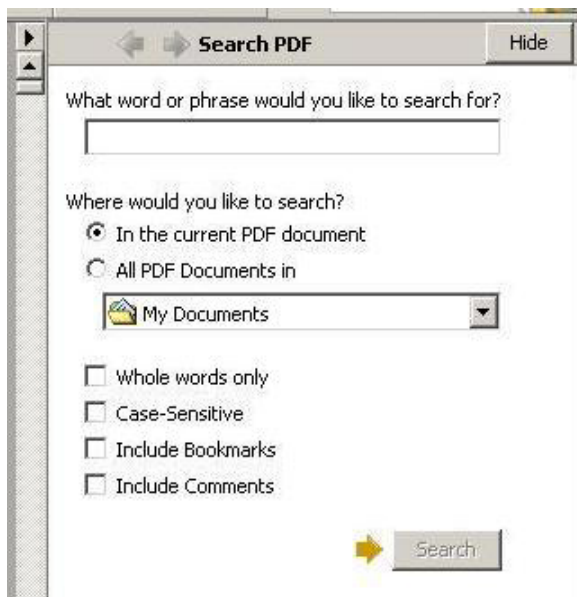
New Feature!

SEARCHABILITY

Using the Adobe Acrobat Reader we have added the ability to do searches within the parts catalog. You may search based upon the part description, the O.E.M part #, or the A-American part #. If you look to the top menu bars of the Adobe Acrobat Reader Window you will see this button:



Click this button to open the search window.



With this window open you may now search all the catalogs simultaneously. You will see every instance that your search query appears within the catalogs.

**** See our Search Tips on the next page****

Search Tips!

Once you have the search window open you can now begin searching based on part description, O.E.M. part #, or A-American part #.

Part Description

Be as general as you possibly can. If you do not find what you are looking for try other general terms. For example if you do not find Knife Box Cushions, try using Cushions or try using Cheekwoods.

O.E.M. Part #

Goss has used letters and dashes at the beginning of many part numbers to signify the size drawing that a part comes from. You may find it easier to just search using the six digit portion of the part number. Additionally Goss has used many detail numbers (-xxxx the last four digits) to signify various differences between parts and models and revisions. Again, you may find it easier to just search using the six digit portion of the part number.

A-American Part #

A-American has included detail numbers also (-xxx the last three digits) to signify various differences between parts, models revisions, upgrades and improvements. You may find it easier to search using just the four digit part number. For example 1523-000 or 1523-00T you may find it easier to search using the 1523.



1-888-434-0888
TOLL FREE

FOLDER 2:1

Table of Contents

Title:	Page
CROSS ASSOCIATION SYSTEM	
Cross Association • 2:1 Folder	<u>3</u>
Cross Association Gearing • 2:1	<u>4</u>
CUTTING CYLINDER	
Cutting Cylinder Assembly • 2:1	<u>5</u>
Pin Shaft Assembly • 2:1	<u>6</u>
Knife Bar Assembly • 2:1	<u>7</u>
Cheekwoods • 2:1	<u>8</u>
Folding Cutting Knives	<u>9</u>
Counter	<u>10</u>
DELIVERY SYSTEM	
Delivery Assembly	<u>11</u>
Buckets • 2:1 Folder	<u>12</u>
FOLDING CYLINDER	
Folding Cylinder & Bands • 2:1 Folder	<u>13</u>
Folding Pin Assembly • 2:1	<u>14</u>
Folding Pins	<u>15</u>
Folding Pin Holders	<u>16</u>
Pin Post	<u>17</u>
Cam Followers	<u>18</u>
Folding Cylinder Blade Assembly • 2:1	<u>19</u>
Folding Cylinder Blades	<u>20</u>
NIPPING SYSTEM	
Pneumatic Nipping System • 2:1	<u>21</u>
Electrical Nipping System • 2:1 & 3:2	<u>22</u>
Nipping Rings	<u>23</u>
Nip Drive Gears & Shafts	<u>24</u>
PNEUMATIC SYSTEM	
Pneumatic Folder Clutch	<u>25</u>
ROLLER TOP OF FORMER	
RTF Assembly	<u>26</u>



1-888-434-0888
TOLL FREE

SLITTER SYSTEM

Slitter Shaft & Drive • New Style / With Pneumatic Trolley	27
Manual Skip Slitter	28
Pneumatic Skip Slitter Assembly • 2:1	29
Folder Slitters	30

TROLLY SYSTEM

RTF Manual Trolley	31
Pneumatic Trolley Assembly	32
Trolleys	33

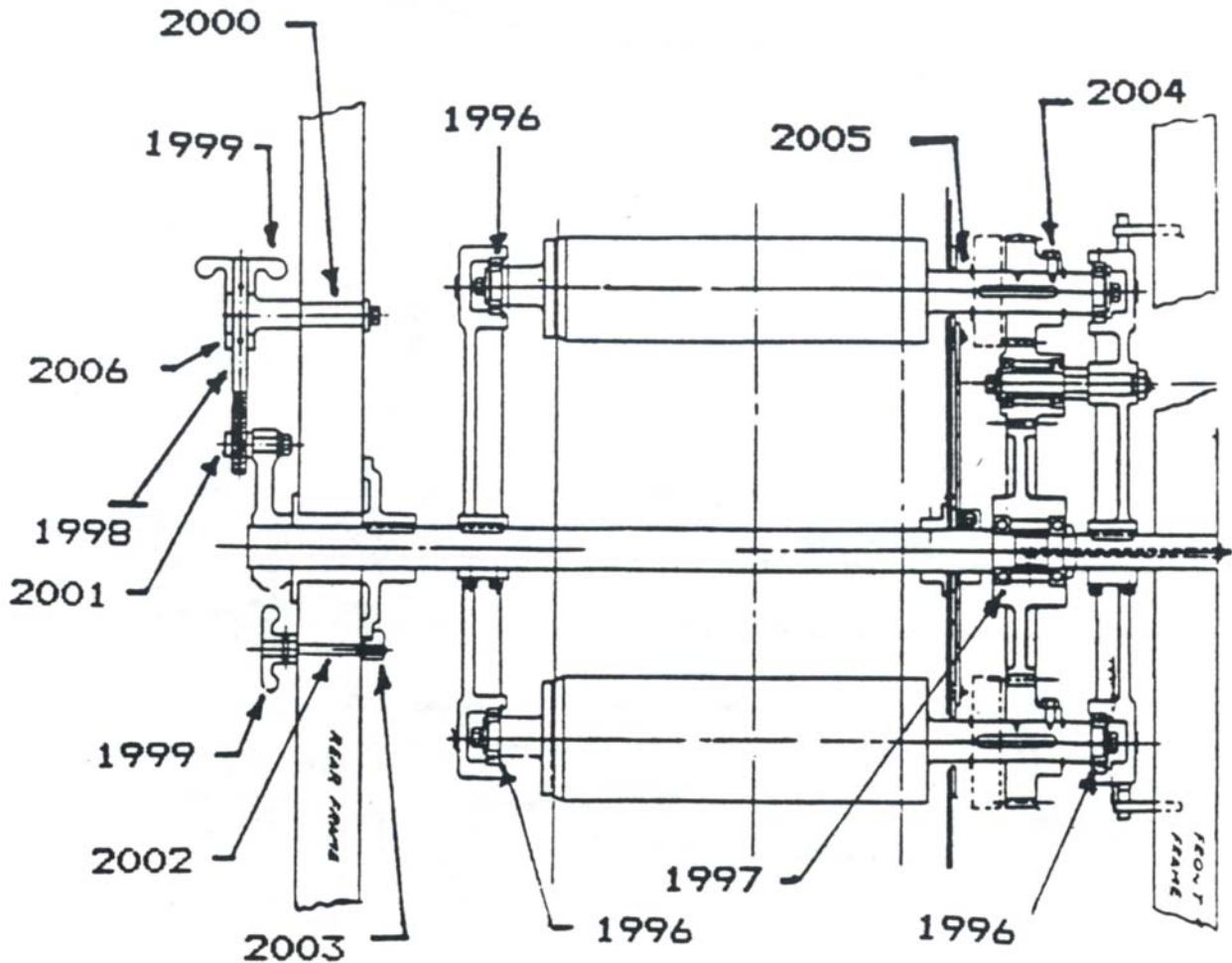
ELECTRICAL SYSTEM

Tachometer & Generator	34
Miscellaneous Electrical	35
Folder Console • Upright Type (New Style)	36

TOOLS

Folder Tools	39
--------------	--------------------

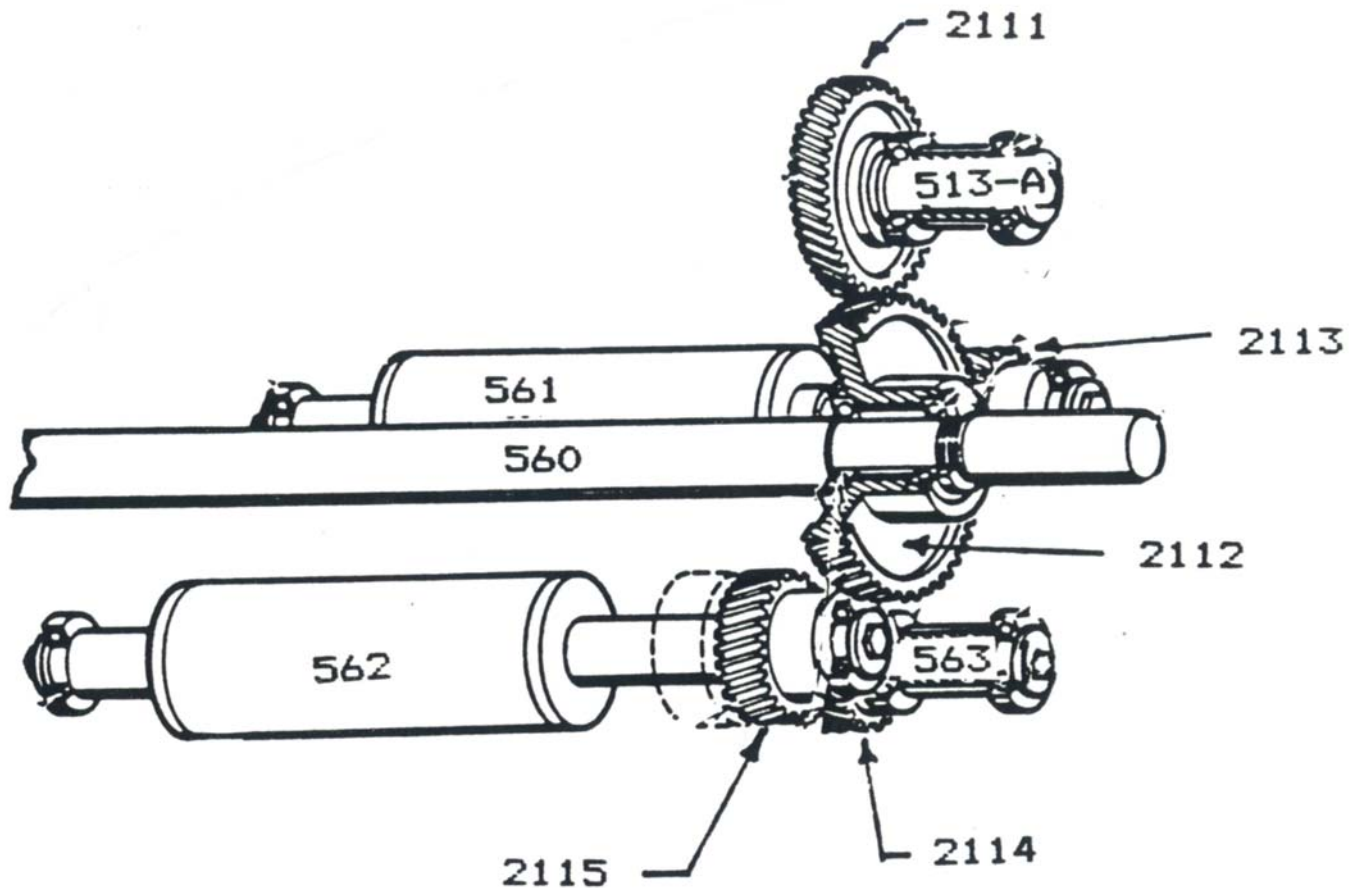
FOLDER: COMPENSATORS & CROSS ASSOCIATION SYSTEM



CROSS ASSOCIATION • 2:1 FOLDER

STOCK NO.	DESCRIPTION	GOSS PART NO.
1996	BEARING	C-040104-6207
1997	BEARING	C-040102-6209
1998	ADJUSTING SHAFT	B-107321-003
1999	HANDWHEEL	B-033155-0000
2000	POPPET	B-033167-0000
2001	POPPET	AR-003426-0001
2002	LOCK SHAFT	AR-002845-0001
2003	LOCK	AR-002844-0001
2004	LOCK SCREW	AR-001447-0001
2005	RETAINING RING	885470-1949
2006	COLLAR	AR-003485-0001

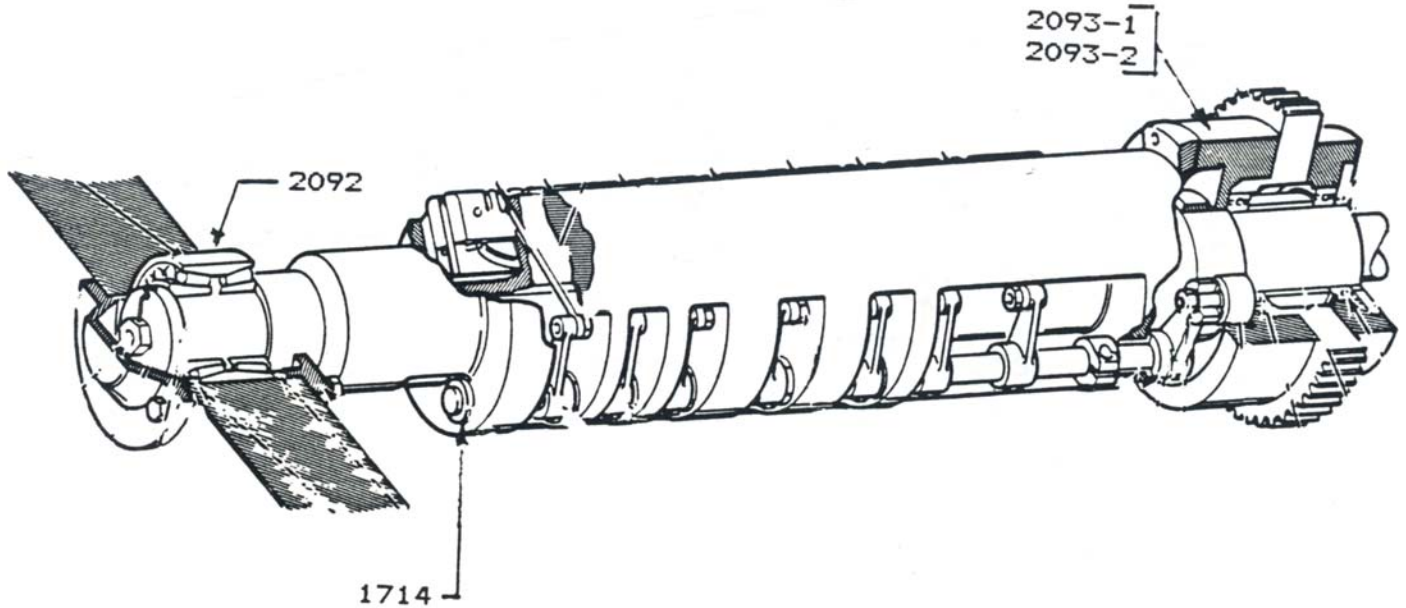
FOLDER: CROSS ASSOCIATION SYSTEM



CROSS ASSOCIATION GEARING • 2:1

STOCK NO.	DESCRIPTION	GOSS PART NO.
2111	Gear -- CTR 513-A	C-075074-0001
2112	Gear -- CTR 560	C-075073-0000
2113	Gear -- CTR 561	B-100309-0001
2114	Gear -- CTR 563	C-072596-0001
2115	Gear -- CTR 562	C-063005-0001

FOLDER: CUTTING CYLINDER



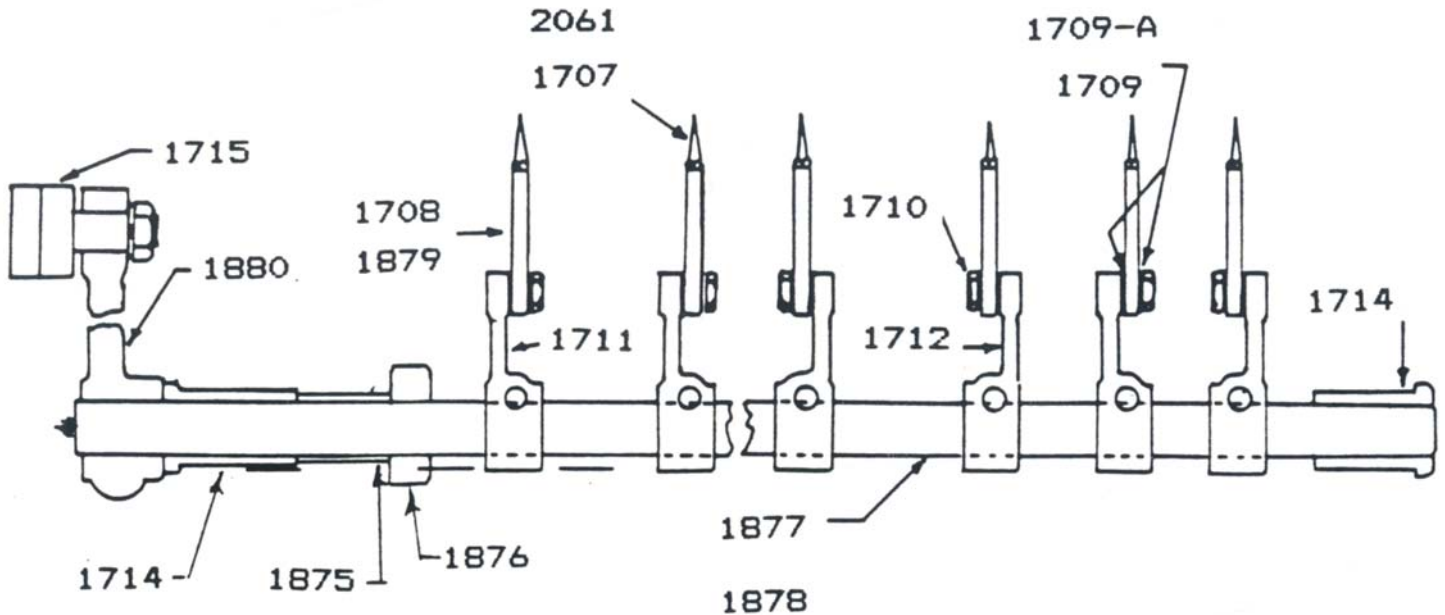
CUTTING CYLINDER ASSEMBLY • 2:1 FOLDER

STOCK NO.	DESCRIPTION	GOSS PART NO.
1714	Bushing	B-104378-0000
2092	Bearing	
2093-1	Collect Cam - 14-1/2" Press	D-16109-9-1456
2093-2	Collect Cam - 15" Press	D-16109-9-1457

www.a-americanpressparts.com

Check our website for updates!

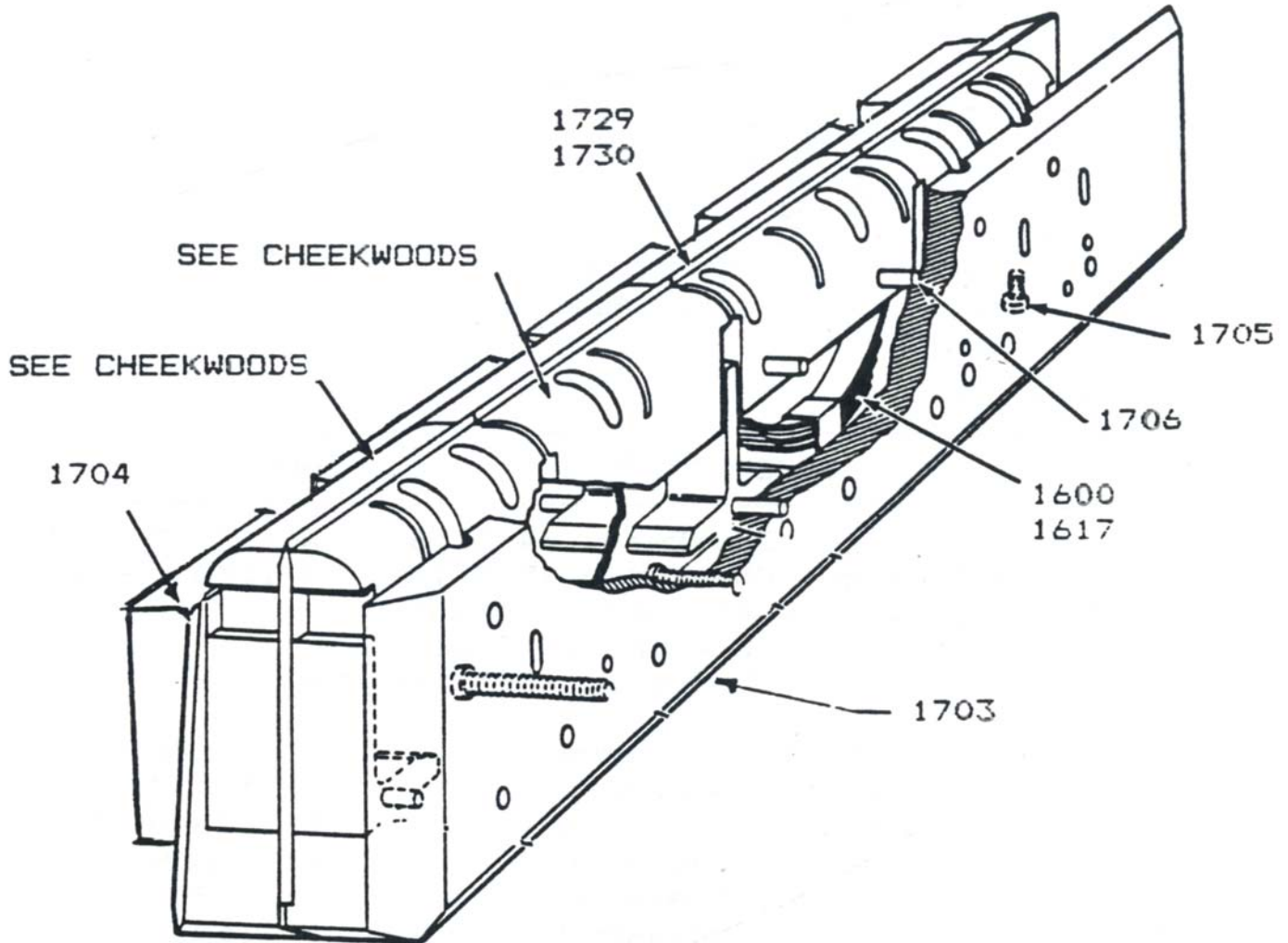
FOLDER: CUTTING CYLINDER



PIN SHAFT ASSEMBLY • 2:1

STOCK NO.	DESCRIPTION	GOSS PART NO.
1707	Collect Pin (Standard)	A-009563-0002
1708	Collect Pin Holder	B-047169-0005
1709	Pin Holder Shim	A-011732-0001
1709-A	Pin Holder Shim	A-011732-0002
1710	Pin Holder Screw	B-107243-0001
1711	Pin Lever - RH (17-5553)	B-033022-0000
1712	Pin Lever - LH (17-5552)	B-033022-0000
1714	Bushing	B-104379-0000
1715	Pin Cam Follower	B-121705-0002
1834-1	Collect Pin Holder	B-017169-0008
1834-2	Collect Pin Holder	B-047169-0013
1875	Spacer	B-104124-0001
1876	Collar	B-117625-0000
1877	Pin Shaft - 14-1/2" Press	C-021662-0002
1878	Pin Shaft - 15" Press	C-021662-0001
1879	Collect Pin Holder	B-047169-0006
1880	Pin Cam Lever (17-6490)	B-043243-0000
2061	Collect Pin (Long)	A-011943-0001

FOLDER: CUTTING CYLINDER



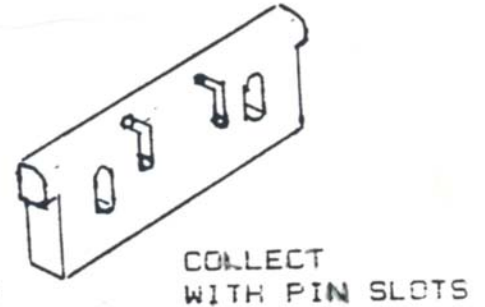
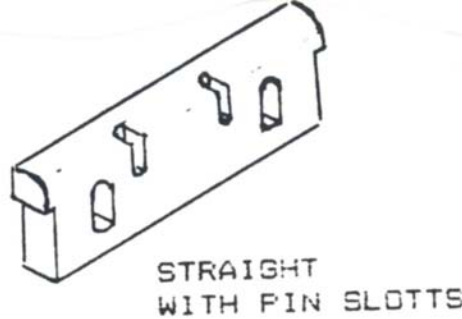
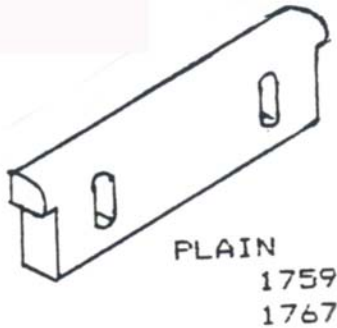
KNIFE BAR ASSEMBLY • 2:1

STOCK NO.	DESCRIPTION	GOSS PART NO.
1703	Knife Bar Assembly - 60" Web	ER-015101-0000
1704	Knife Bar Wedge	C-028823-0001
1705	Knife Adjusting Screw	AR-002213-0001
1706	Cushion Guide Pin	A-0009807-0001
1747	Knife - 4-1/4"	B-104625-0001
1748	Knife - 5-1/4"	B-104653-0001
1600	Spring (9 Leaf)	B-097242-0001
1617	Spring (17 Leaf)	C-082630-0001

www.a-americanpressparts.com

Check our website for updates!

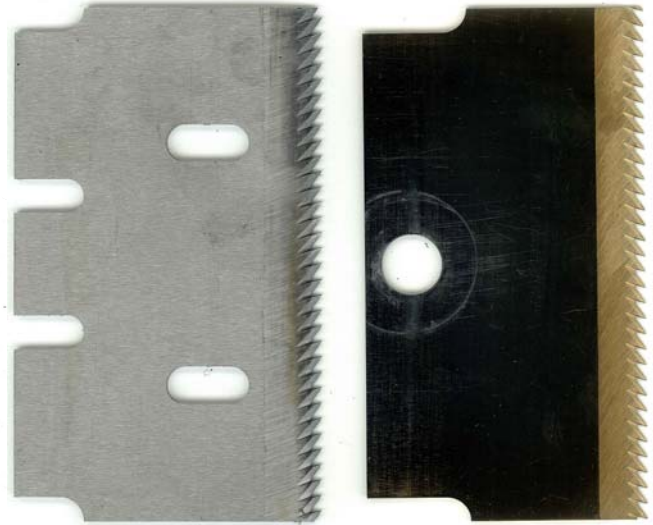
FOLDER: CUTTING CYLINDER



CHEEKWOODS • 2:1

STOCK NO.	DESCRIPTION	GOSS PART NO.
1759	Plain Straight Cheekwood (4-3/16)	B-113808-0001
1767	Plain Straight Cheekwood (5/3/16)	B-1138089-0001
1792	Plain Collect Cheekwood (4-3/16)	
1738	Plain Collect Cheekwood (5-3/16)	
1654	Plain Straight Cheekwood (4-3/16)(Plastic)	
1773	Collect Slotted Cheekwood	B-113846-0001
1774	Collect Slotted Cheekwood	B-113847-0001
1775	Collect Slotted Cheekwood	B-113848-0001
1776	Collect Slotted Cheekwood	B-113849-0001
1778	Collect Slotted Cheekwood	B-113849-0005
1782	Collect Slotted Cheekwood	B-116062-0001
1780	Collect Slotted Cheekwood	B-116062-0009
1760	Straight Slotted Cheekwood	B-113842-0001
1761	Straight Slotted Cheekwood	B-113843-0001
1762	Straight Slotted Cheekwood	B-113844-0001
1763	Straight Slotted Cheekwood	B-113845-0001
1765	Straight Slotted Cheekwood	B-113855-0005
1768	Straight Slotted Cheekwood	B-116035-0009
1771	Straight Slotted Cheekwood	B-116035-0013
1764-1	Collect Cheekwood - Set (55" Web)	
1764-2	Collect Cheekwood - Set (56" Web)	
1764-3	Collect Cheekwood - Set (57" Web)	
1764-4	Collect Cheekwood - Set (58" Web)	
1764-5	Collect Cheekwood - Set (60" Web)	
1777-1	Straight Cheekwood - Set (55" Web)	
1777-2	Straight Cheekwood - Set (56" Web)	
1777-3	Straight Cheekwood - Set (57" Web)	
1777-4	Straight Cheekwood - Set (58" Web)	
1777-5	Straight Cheekwood - Set (60" Web)	

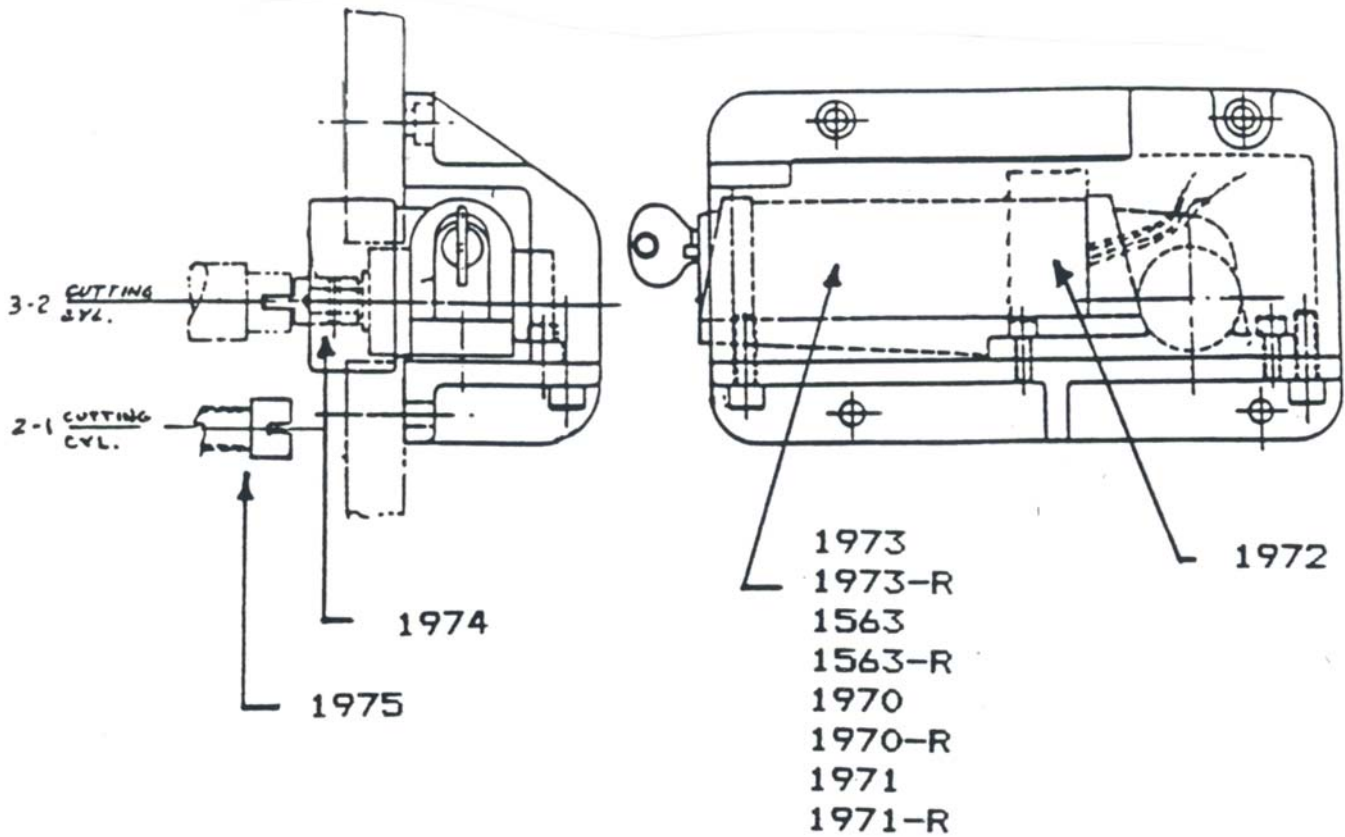
FOLDER: CUTTING CYLINDER



FOLDER CUTTING KNIVES

STOCK NO.	DESCRIPTION	GOSS PART NO.
1795	Knife - Chromed Hardened Steel	B-097597-0001
1742	Knife - Chromed Hardened Steel	B-0104419-0001
1742-1PC	1-Pc Knife - Chromed Hardened Steel	
1745	Knife - Chromed Hardened Steel	B-104650-0001
1745-1PC	1-Pc Knife - Chromed Hardened Steel	
1745-1PS	1-Pc Knife - Chromed Hardened Steel (Straight Tooth)	
1746	Knife - Chromed Hardened Steel	B-104651-0001
1747	Knife - Chromed Hardened Steel	B-104652-0001
1748	Knife - Chromed Hardened Steel	B-104653-0001
1749	Knife - Chromed Hardened Steel	B-108955-0001
1750	Knife - Chromed Hardened Steel	B-128396-0001
1750-1PC	1-Pc Knife - Chromed Hardened Steel	
1750-1PT	1-Pc Knife - Chromed Hardened Steel (Tin Coated)	
1750-STR	1-Pc Knife - Chromed Hardened Steel (Straight Tooth)	
1751	Knife - Chromed Hardened Steel	B-128627-0001
1751-00T	Knife - Chromed Hardened Steel (Tin Coated)	
1751-1PC	1-Pc Knife - Chromed Hardened Steel	
1751-1PT	1-Pc Knife - Chromed Hardened Steel (Tin Coated)	
1751-1PF	1-Pc Knife - Chromed Hardened Steel (Fine Toothed)	
1796	Knife - Chromed Hardened Steel	B-135235-0001
2066	Knife for 160 Page Folder	C-115105-0001
2066-00T	Knife for 160 Page Folder (Tin Coated)	

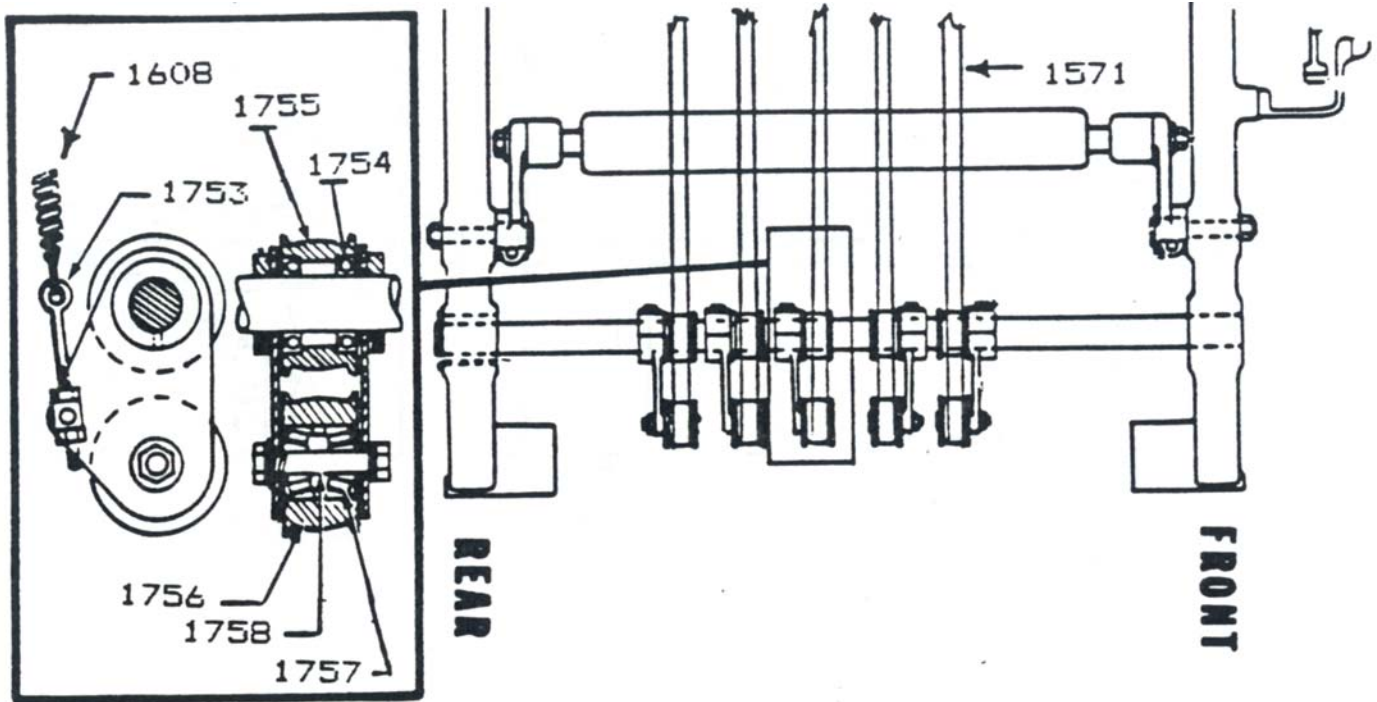
FOLDER: CUTTING CYLINDER



COUNTER • 2:1 & 3:2 FOLDER

STOCK NO.	DESCRIPTION	GOSS PART NO.
1973	3:2 Counter - w/o Relay	D-035410-0001
1973-R	Rebuilt 3:2 Counter - w/o Relay	
1563	3:2 Counter - w/ Relay	
1563-R	Rebuilt 3:2 Counter - w/ Relay	
1970	2:1 Counter - w/o Relay	
1970-R	Rebuilt 2:1 Counter - w/o Relay	
1971	2:1 Counter - w/ Relay	
1971-R	Rebuilt 2:1 Counter - w/ Relay	
1972	Relay	B-124809-0001
1974	Sleeve	
1975	Bolt	

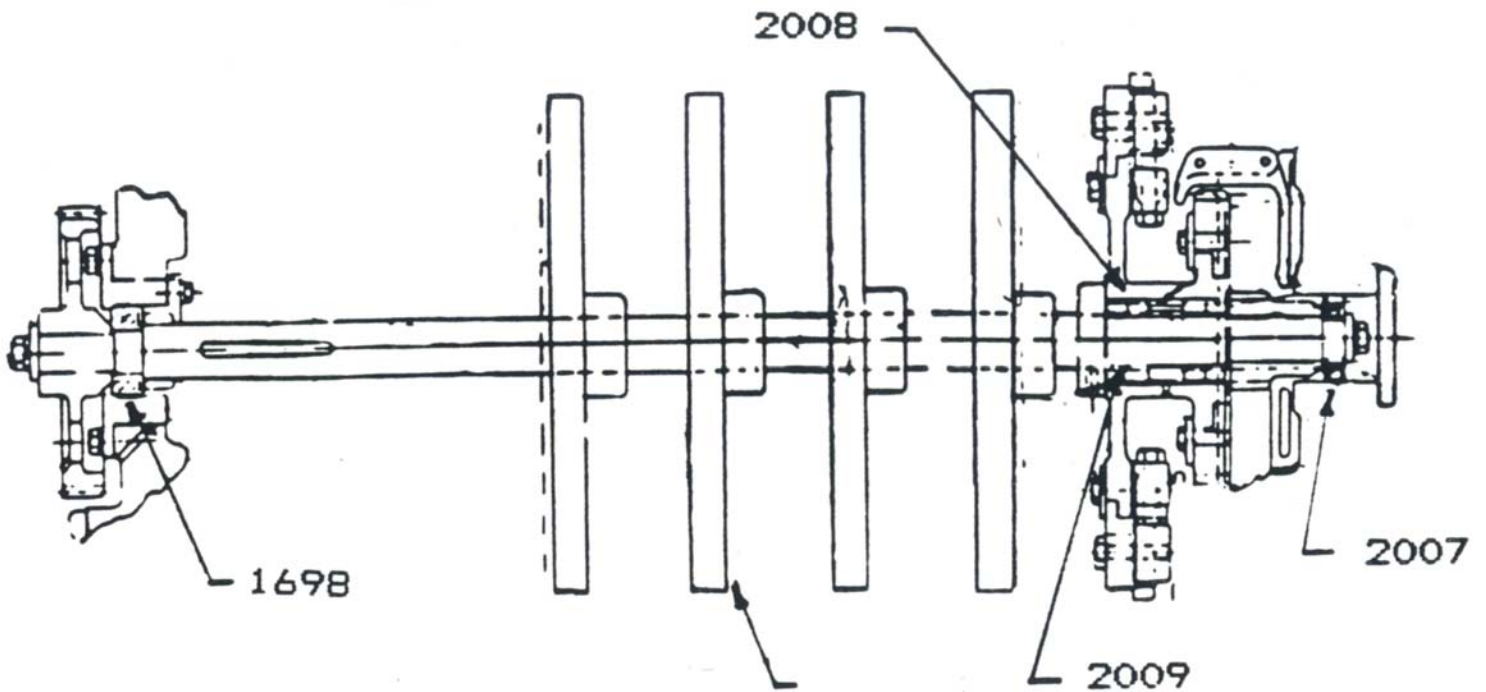
FOLDER: DELIVERY SYSTEM



DELIVERY FLY ASSEMBLY

STOCK NO.	DESCRIPTION	GOSS PART NO.
1571	Delivery Belt - 1-1/4" W	723725-0050
1608	Delivery Belt Spring	B-105304-0001
1753	Spring Eye Bolt	B-112850-0001
1754	Pully Bearing	722605-0249
1755	Pully	B-113705-0001
1756	Pully	B-113706-0001
1757	Pully Bearing	B-113766-0001
1758	Shaft	B-113707-0001
1784	Delivery Belt - 1-1/4" W	723700-0016

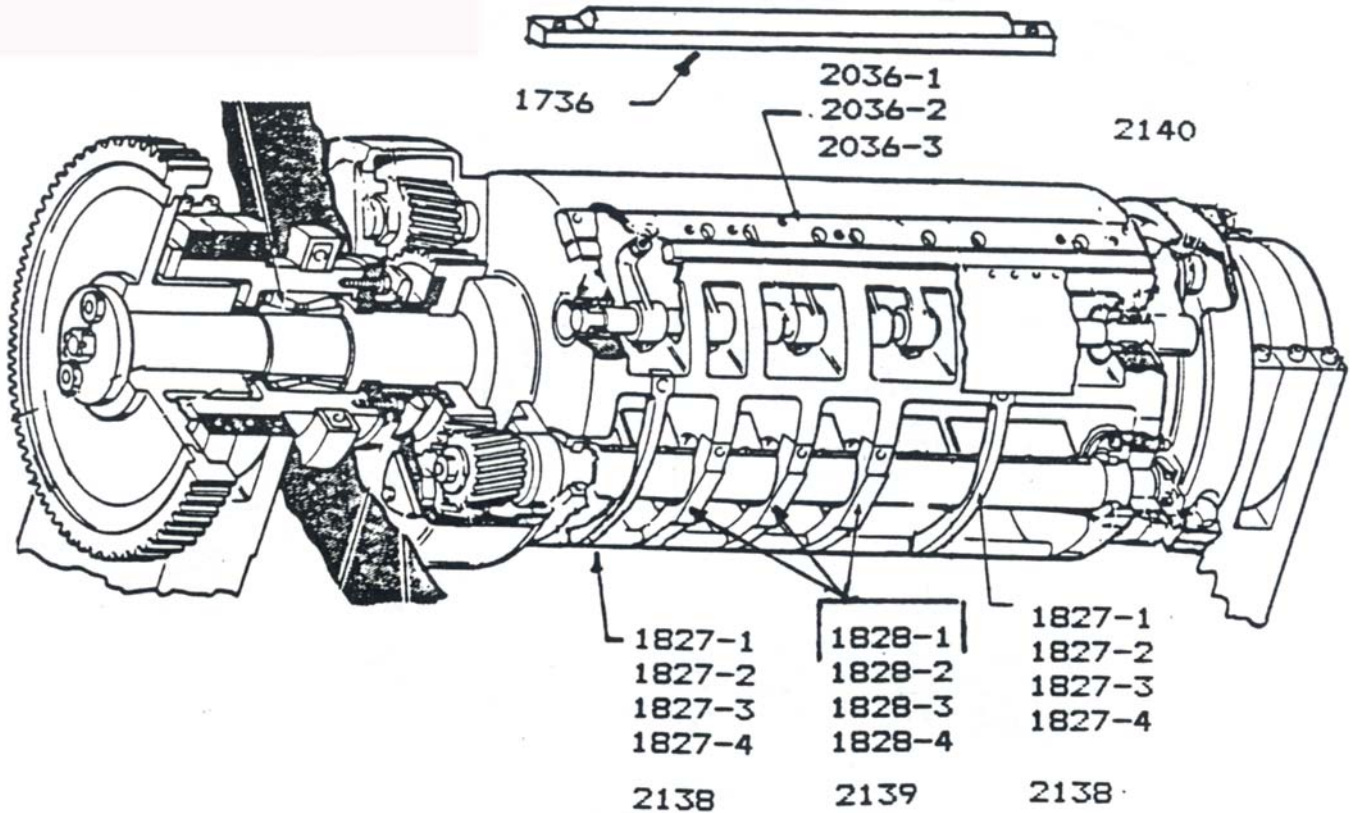
FOLDER: FOLDING CYLINDER



BUCKETS • 2:1 FOLDER

STOCK NO.	DESCRIPTION	GOSS PART NO.
1698	Bearing	C-040108-5208
2007	Bearing	C-040102-6208
2008	Bearing	722657-0236
2009	Bearing	722657-0281

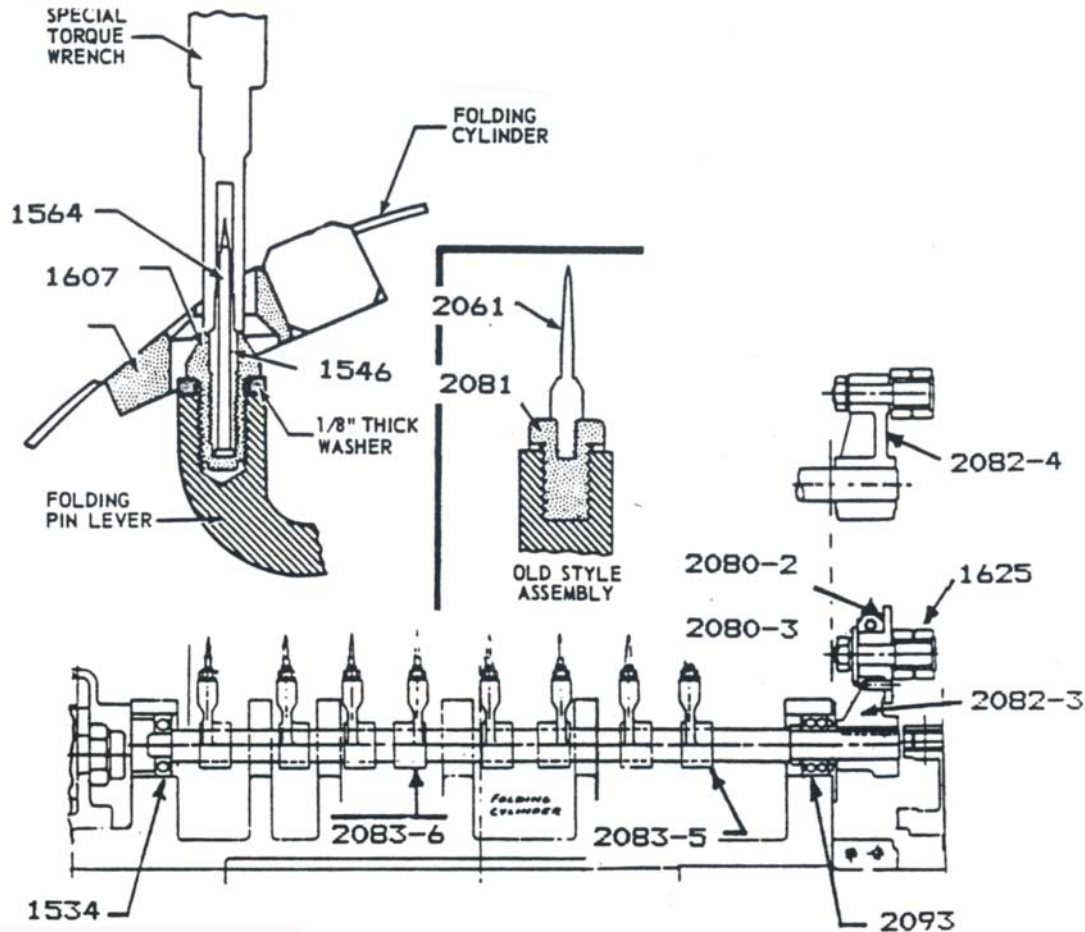
FOLDER: FOLDING CYLINDER



FOLDING CYLINDER & BANS • 2:1 FOLDER

STOCK NO.	DESCRIPTION	GOSS PART NO.
1736	Crout Bar	B-066029-0001
2036-1	Gib Plate - 60" Web	
2036-2	Gib Plate - 58" Web	
2036-3	Gib Plate - 56" Web	
1827-1	Bridge - 570 Cylinder, 15" Press	C-045372-0000
1827-2	Bridge - 570 Cylinder, 14-1/2" Press	C-045366-0000
1827-3	Bridge - 571 Cylinder, 15" Press	C-045374-0000
1827-4	Bridge - 571 Cylinder, 14-1/2" Press	C-045367-0000
1828-1	Bridge - 570 Cylinder, 15" Press	C-045370-0000
1828-2	Bridge - 570 Cylinder, 14-1/2" Press	C-045365-0000
1828-3	Bridge - 571 Cylinder, 15" Press	C-045373-0000
1828-4	Bridge - 571 Cylinder, 14-1/2" Press	C-045364-0000
2138	Bridge	C-084997-0001
2139	Bridge	C-084995-0001
2140	Bands	B-137414-0001

FOLDER: FOLDING CYLINDER



FOLDING PIN ASSEMBLY • 2:1

STOCK NO.	DESCRIPTION	GOSS PART NO.
1534	Bearing	C-040102-6304
1546	Pin Holder	B-111843-0002
1564	Folding Pin	B-011844-0001
1601	Pin Adapter	B-103589-0000
1625	Cam Follower	B-148421-0001
2061	Folding Pin	A-011943-0001
2080-2	Bushing - Eccentric	B42560-12-1649
2080-3	Washer - Eccentric	AR-007173-0001
2081	Adapter	AR-002177-0001
2082-2	Cam Follower Lever - Adjustable	B42966-17-6433
2082-4	Cam Follower Lever - Solid	B42967-17-6449
2083-5	Pin Lever (RH)	C-082422-0001
2083-6	Pin Lever (LH)	C-082422-0002
2093	Bearing	C-040108-5205

FOLDER: FOLDING CYLINDER



FOLDING PINS • 2:1, 3:2 & REGENT

STOCK NO.	DESCRIPTION	GOSS PART NO.
1564	Folding Pin	B-111844-0001
1707	Collect Pin	A-009563-0002
2061	Folding Pin / Collect Pin	A-011943-0001

FOLDER: PIN HOLDER OR ADAPTER



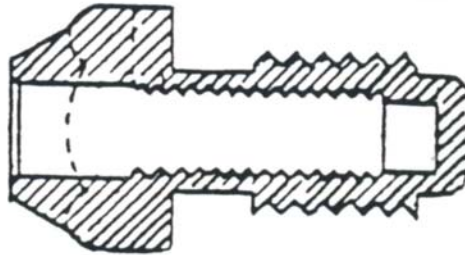
2:1 & 3:2 FOLDERS

STOCK NO.	DESCRIPTION	GOSS PART NO.
1546	Pin Holder	B-111843-0002



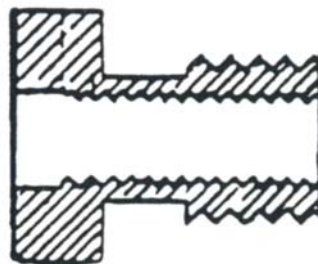
GREENSTREAK 160 PAGE FOLDER

STOCK NO.	DESCRIPTION	GOSS PART NO.
1823	Pin Holder	B-111843-0000



2:1 FOLDER

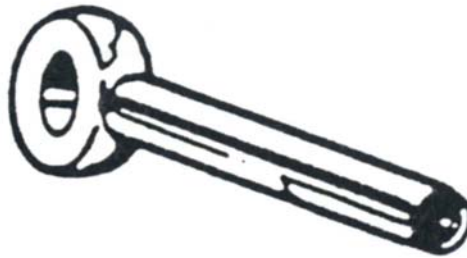
STOCK NO.	DESCRIPTION	GOSS PART NO.
1601	Pin Adapter	B-103589-0001



REGENT - OLD STYLE 2:1 FOLDER

STOCK NO.	DESCRIPTION	GOSS PART NO.
2061	Pin Adapter	AR-002177-0001

FOLDER: PIN POST



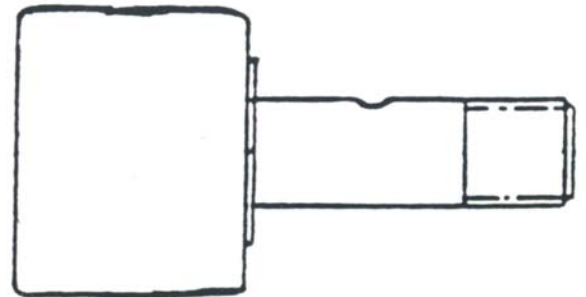
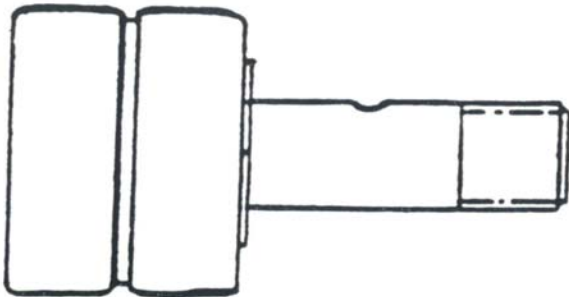
PIN POST

STOCK NO.	DESCRIPTION	GOSS PART NO.
1636	Pin Post	C-066506-0001
1637	Pin Post	C-066505-0001
1708	Pin Post	B-047169-0005
1834-1	Pin Post	B-047169-0008
1834-2	Pin Post	B-047169-0013
1834-3	Pin Post	B-047169-0004
1834-4	Pin Post	B-047169-0014
1834-5	Pin Post	B-047169-0016
1879	Pin Post	B-047169-0006



1-888-434-0888
TOLL FREE

FOLDER: CAM FOLLOWERS



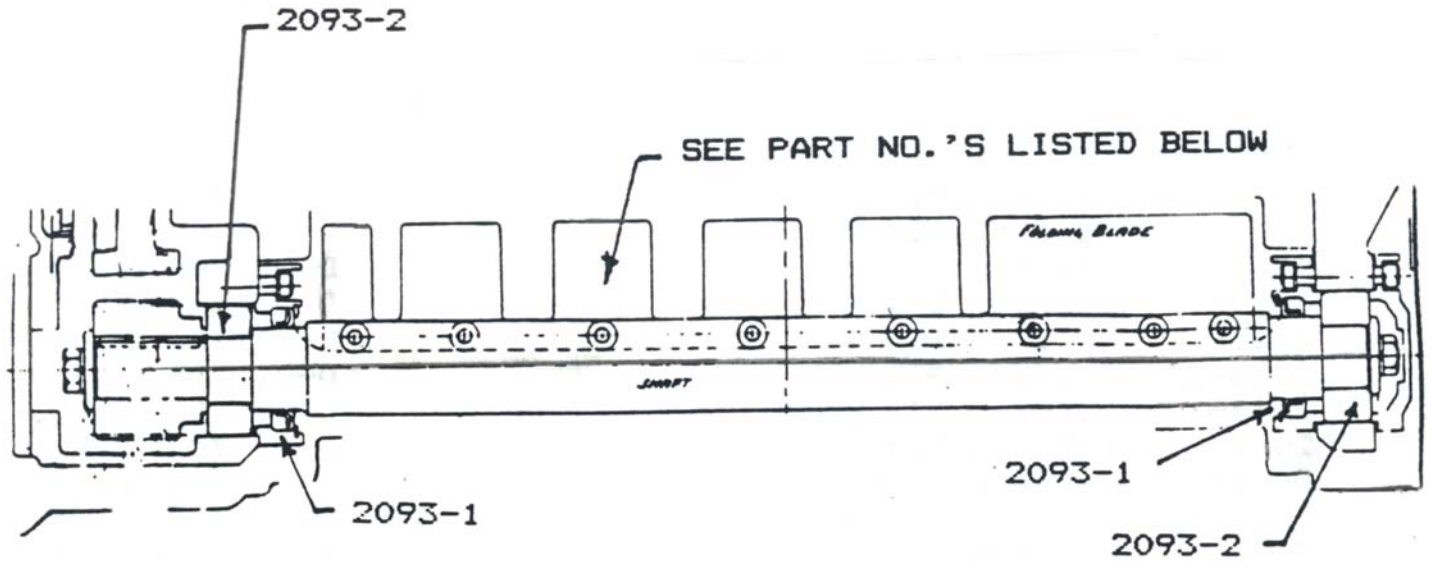
CAM FOLLOWERS • 2:1, 3:2 & REGENT

STOCK NO.	DESCRIPTION	GOSS PART NO.
1625	Cam Roller & Stud (nova chromed)	B-148421-0001
1625-1	Cam Roller & Stud	B-148421-0002
1715	Cam Roller & Stud	B-121705-0002

www.a-americanpressparts.com

Check our website for updates!

FOLDER: FOLDING CYLINDER



FOLDING CYLINDER BLADE ASSEMBLY • 2:1

STOCK NO.	DESCRIPTION	GOSS PART NO.
1810	Folding Blade	C-045368-0013
1811	Folding Blade	C-045368-0015
1812	Folding Blade	C-045368-0005
2093-1	Oil Seal	
2093-2	Bearing	C-040108-5207
2096-1	Folding Blade	C-034980-0000
2096-2	Folding Blade	C-034981-0000
2096-3	Folding Blade	C-038826-0000
2096-4	Folding Blade	C-039834-0000
2096-5	Folding Blade	C-045376-0000

FOLDER: FOLDING CYLINDER



PROFILE FOLDING BLADE • 3:2

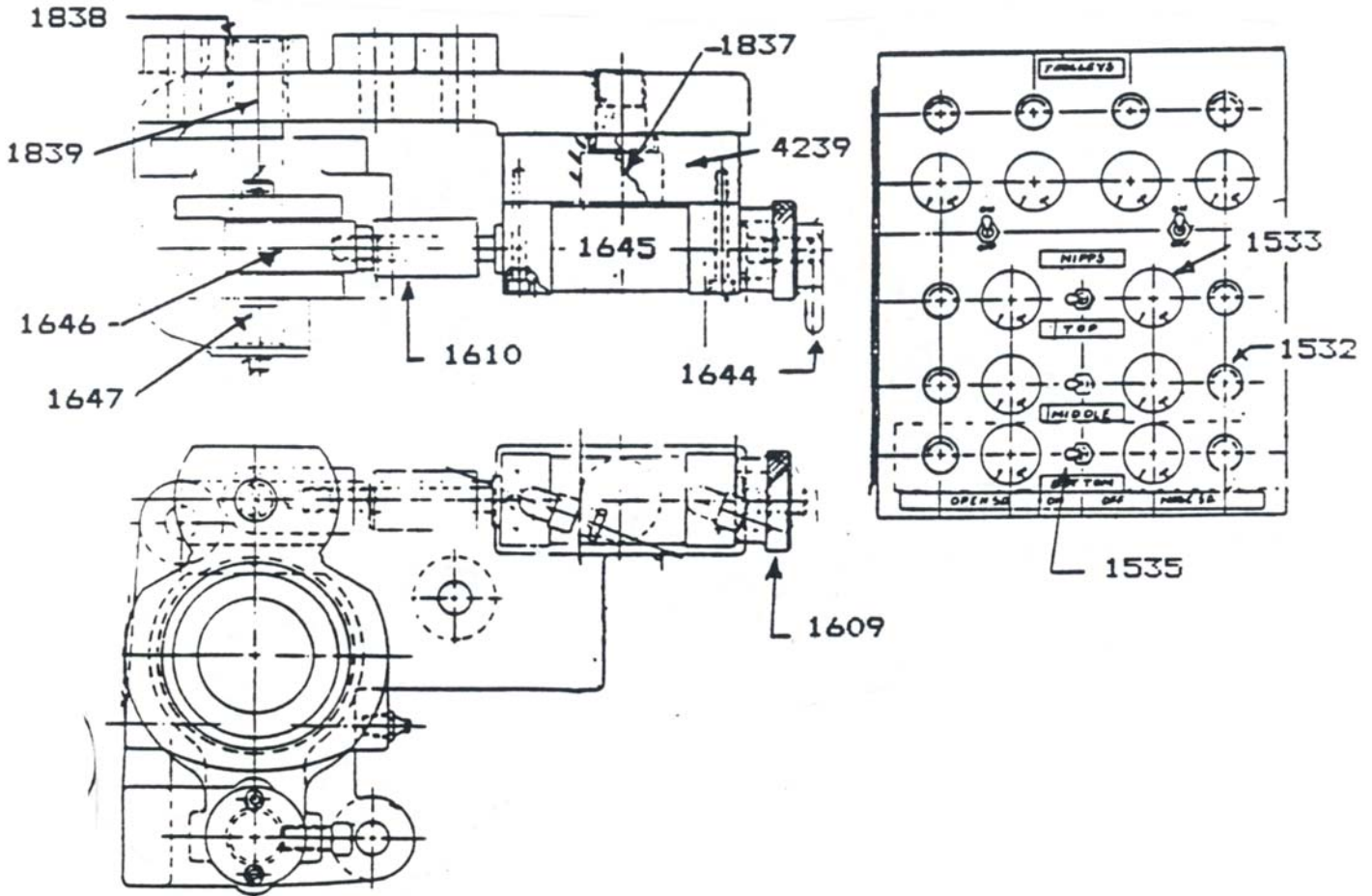
STOCK NO.	DESCRIPTION	GOSS PART NO.
1820-1	Folding Blade	D-021705-0005
1820-2	Folding Blade	D-021705-0007
1820-3	Folding Blade	D-021705-0008
1821	Folding Blade	D-035694-0001
2033-1	Folding Blade	D-021705-0001
2033-2	Folding Blade	D-021704-0003
2033-3	Folding Blade	D-021704-0005
2033-4	Folding Blade	D-021704-0007
2033-5	Folding Blade	D-021704-0009
2033-6	Folding Blade	D-021704-0013
2033-7	Folding Blade	D-021704-0022
2033-8	Folding Blade	D-021704-0100
2033-9	Folding Blade	D-021704-



FOLDING BLADE • FLAT TYPE • 2:1 & 3:2

STOCK NO.	DESCRIPTION	GOSS PART NO.
1810	Folding Blade	C-045369-0013
1811	Folding Blade	C-045369-0015
1812	Folding Blade	C-045369-0005
1812-1	Folding Blade	C-045369-0003
2025-1	Folding Blade	C-053457-0022
2025-2	Folding Blade	C-063113-0001
2096-1	Folding Blade	C-034980-0000
2096-2	Folding Blade	C-034981-0000
2096-3	Folding Blade	C-038826-0000
2096-4	Folding Blade	C-039384-0000
2096-5	Folding Blade	C-045376-0000
2096-6	Folding Blade	C-054631-0002
2096-7	Folding Blade	C-060898-0001
2096-8	Folding Blade	C-021554-0007
2096-9	Folding Blade	D-037764-0001

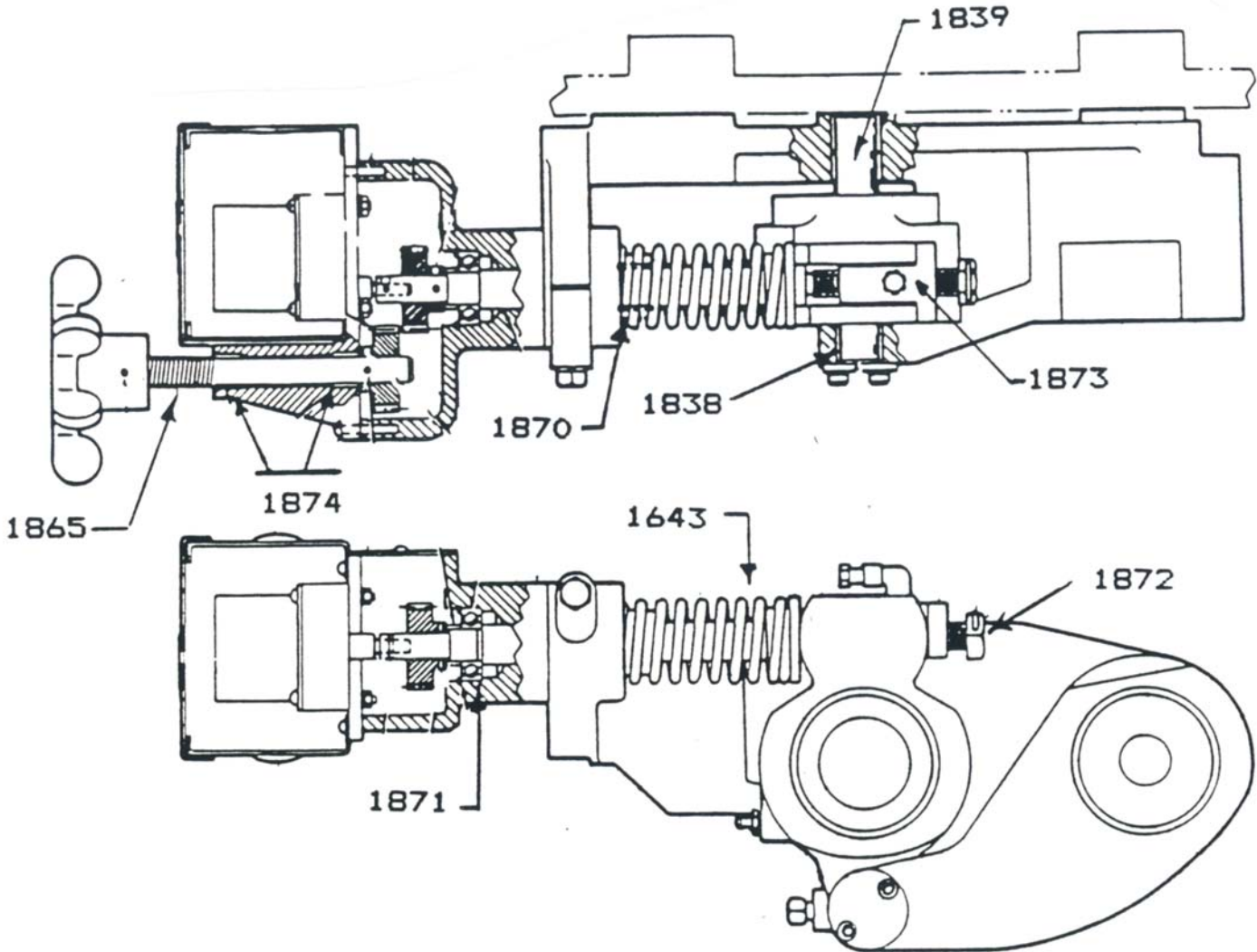
FOLDER: NIPPING SYSTEM



PNEUMATIC NIPPING SYSTEM • 2:1

STOCK NO.	DESCRIPTION	GOSS PART NO.
1532	Regulator	882704-0046
1533	Pressure Gage (0-100 lbs.)	B-147222-0001
1535	Switch	920512-0050
1609	Knurled Nut	B-139696-0001
1610	Sleeve	B-148141-0001
1644	Lever Type Lock	B-139697-0001
1645	Air Cylinder	C-100863-0001
1646	Clevis	B-139698-0001
1647	Clevis Pin	863308-5016
1837	Cam Follower	766509-1035
1838	Bearing	729457-0177
1839	Nip Roller Bracket Stud	A-010465-0001
4239	Mounting Block	B-139695-0001

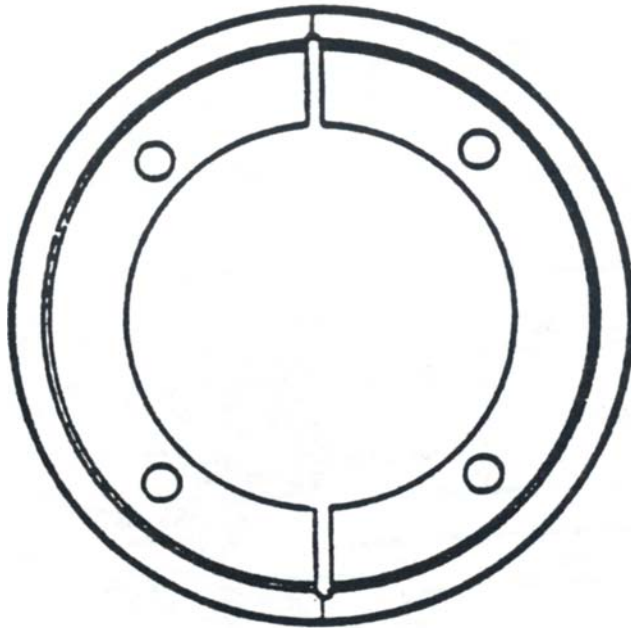
FOLDER: NIPPING SYSTEM



ELECTRICAL NIPPING SYSTEM • 2:1 & 3:2

STOCK NO.	DESCRIPTION	GOSS PART NO.
1643	Springs	A-005083-0001
1838	Bushings	729457-0177
1839	Nip Roller Bracket Stud	A-010465-0001
1865	Spring	897009-4901
1870	Bearing	729457-0176
1871	Bearing	C-040104-6202
1872	Adjusting Shaft	B-149384-0001
1873	Adjusting Nut	B-149372-0001
1874	Sint. Bronze Bearing	C-040075-1104

FOLDER: NIPPING SYSTEM



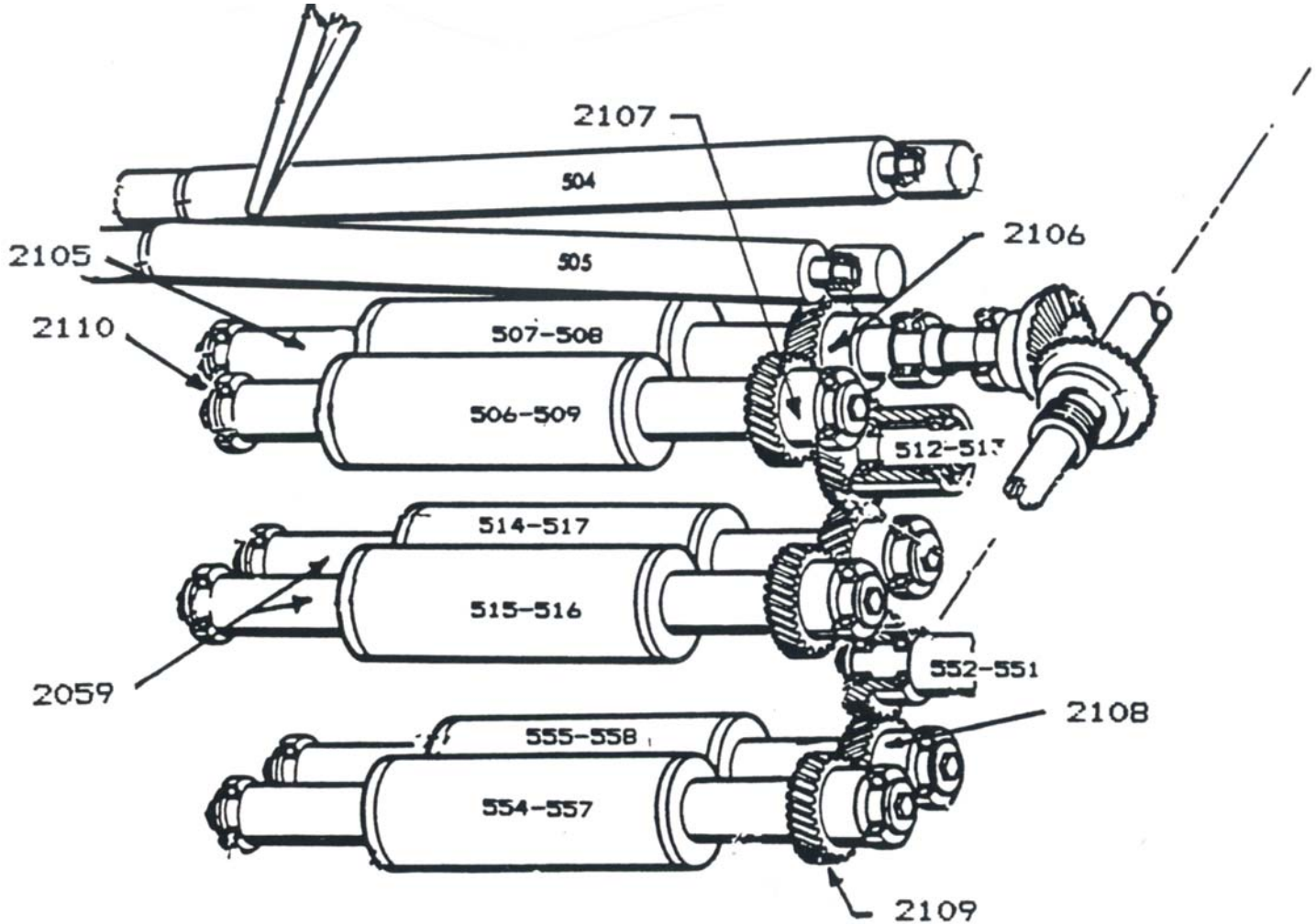
NIPPING RINGS • 2:1 & 3:2

STOCK NO.	DESCRIPTION	GOSS PART NO.
2055-001	Nip ring - 4.430 OD	C-101116-0001
2055-002	Nip ring - 4.458 OD	C-101116-0002
2069	Nip ring - 5.523 OD	C-085212-0004
2574-001	Nip ring - 4.478 OD	C-113639-0001
2575-001	Nip ring - 6.128 OD	C-113638-0001
2347	Nip ring - 4.552 OD	C-122178-0001
2347-002	Nip ring - 4.539 OD	C-122178-0002
2347-003	Nip ring - 4.578 OD	C-122178-0003
2348	Nip ring - 6.2078 OD	D-048395-0001
2348-002	Nip ring - 6.118 OD	D-048395-0002
1788	Nip ring - 4.440 OD	C-085210-0001
1538	Nip ring - 4.451 OD	C-085210-0004
1789	Nip ring	C-085210-0005
1542	Nip ring - 5.562 OD	C-085210-0006
1557	Nip ring - 4.478 OD	C-085210-0007
1540	Nip ring - 4.505 OD	C-085210-0010
1653	Nip ring - 6.157 OD	C-085211-0005
1558	Nip ring - 6.120 OD	C-085211-0007

**** ALL SIZE NIP RINGS AVAILABLE ****

***** ALL AVAILABLE CHROMED *****

FOLDER: NIPPING SYSTEM



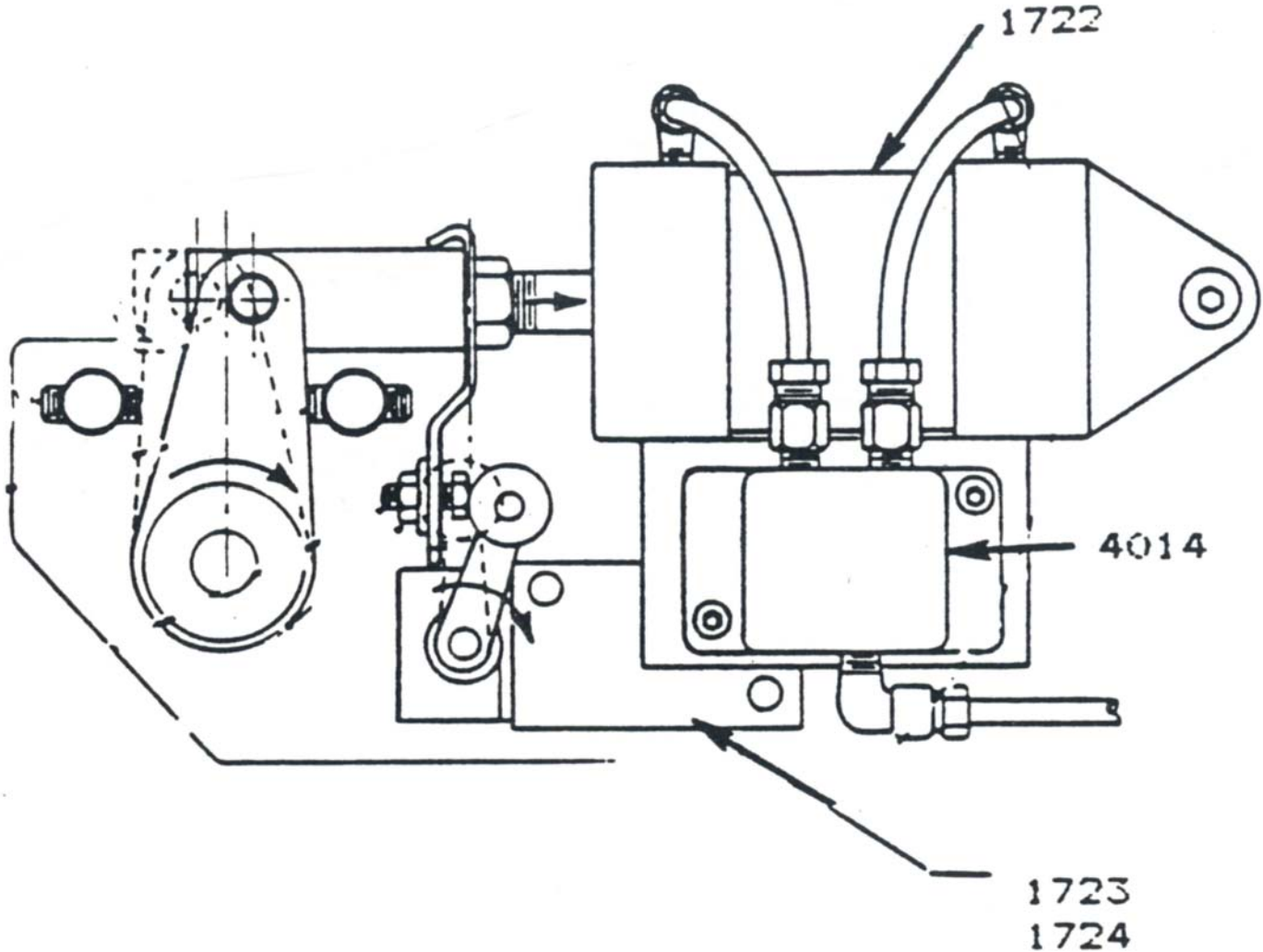
NIP DRIVE GEARS & SHAFT • 2:1

STOCK NO.	DESCRIPTION	GOSS PART NO.
2059	Nip Shaft - CTR 514 To 517 incl.	C-034311-0001
2105	Nip Shaft - CTR 507-508	C-034310-0001
2106	Nip Gear - CTR 507-508, 515-516	B-061634-0001
2107	Nip Gear - CTR 506-509, 514-517	B-061635-0001
2108	Nip Gear - CTR 555-558	B-102874-0001
2109	Nip Gear - CTR 554-557	B-061635-0000
2110	Bearing	C-040102-6207

www.a-americanpressparts.com

Check our website for updates!

FOLDER: PNEUMATIC SYSTEM



PNEUMATIC FOLDER CLUTCH

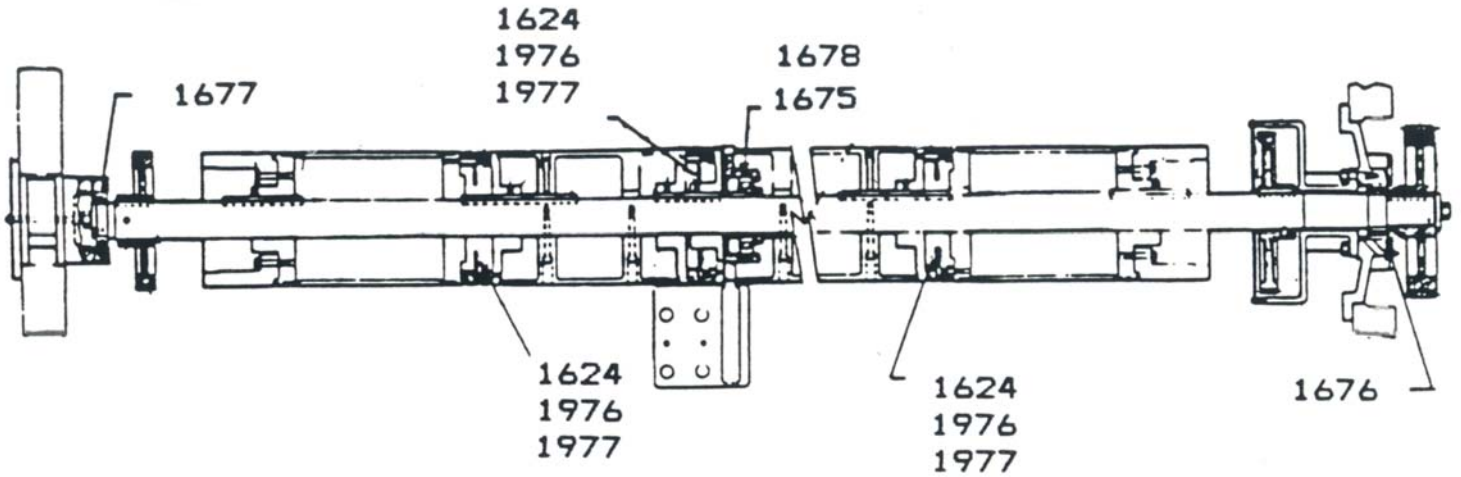
STOCK NO.	DESCRIPTION	GOSS PART NO.
1722	Air Cylinder	B-116658-0006
1723 *	Limit Switch	899751-8235
1724 +	Limit Switch	899751-8354
4014	Solenoid	B-117295-0001

* PRE PRESS NO. 3177
 + POST PRESS NO. 3177

www.a-americanpressparts.com

Check our website for updates!

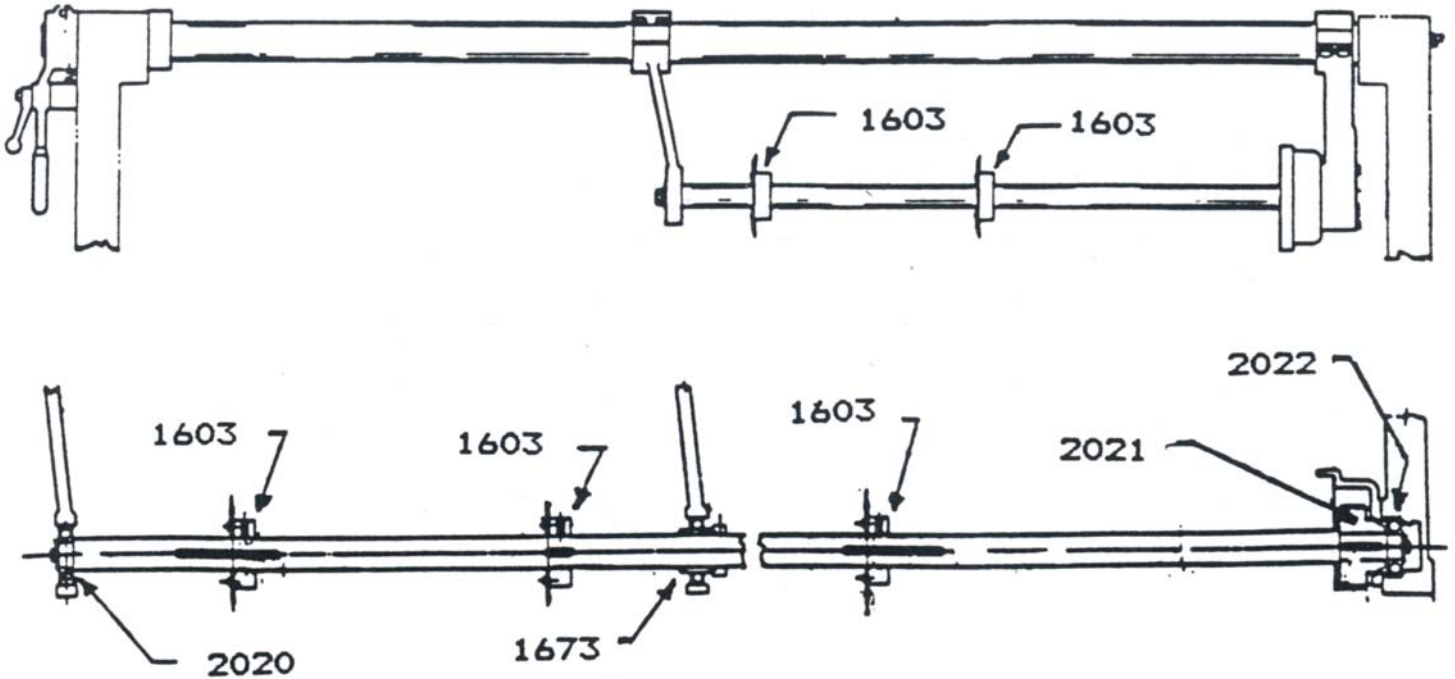
FOLDER: ROLLER TOP OF FORMER



ROLLER TOP OF FORMER (RTF) 2:1 & 3:2 FOLDER

STOCK NO.	DESCRIPTION	GOSS PART NO.
1513	Slitter Scraper	A-008158-0001
1565	Tab Slitter Bracket	B-142471-0001
1624	Slitter Anvil	B-138454-0001
1674	Center Slitter Bracket	B-108282-0001
1675	Bearing	C-040120-0215
1676	Bearing	C-040108-5211
1677	Bearing	C-040102-6211
1678	Adapter	C-040122-1524
1976	Slitter Anvil	B-108331-0001
1977	Slitter Anvil	C-094665-0001

FOLDER: SLITTER SYSTEM



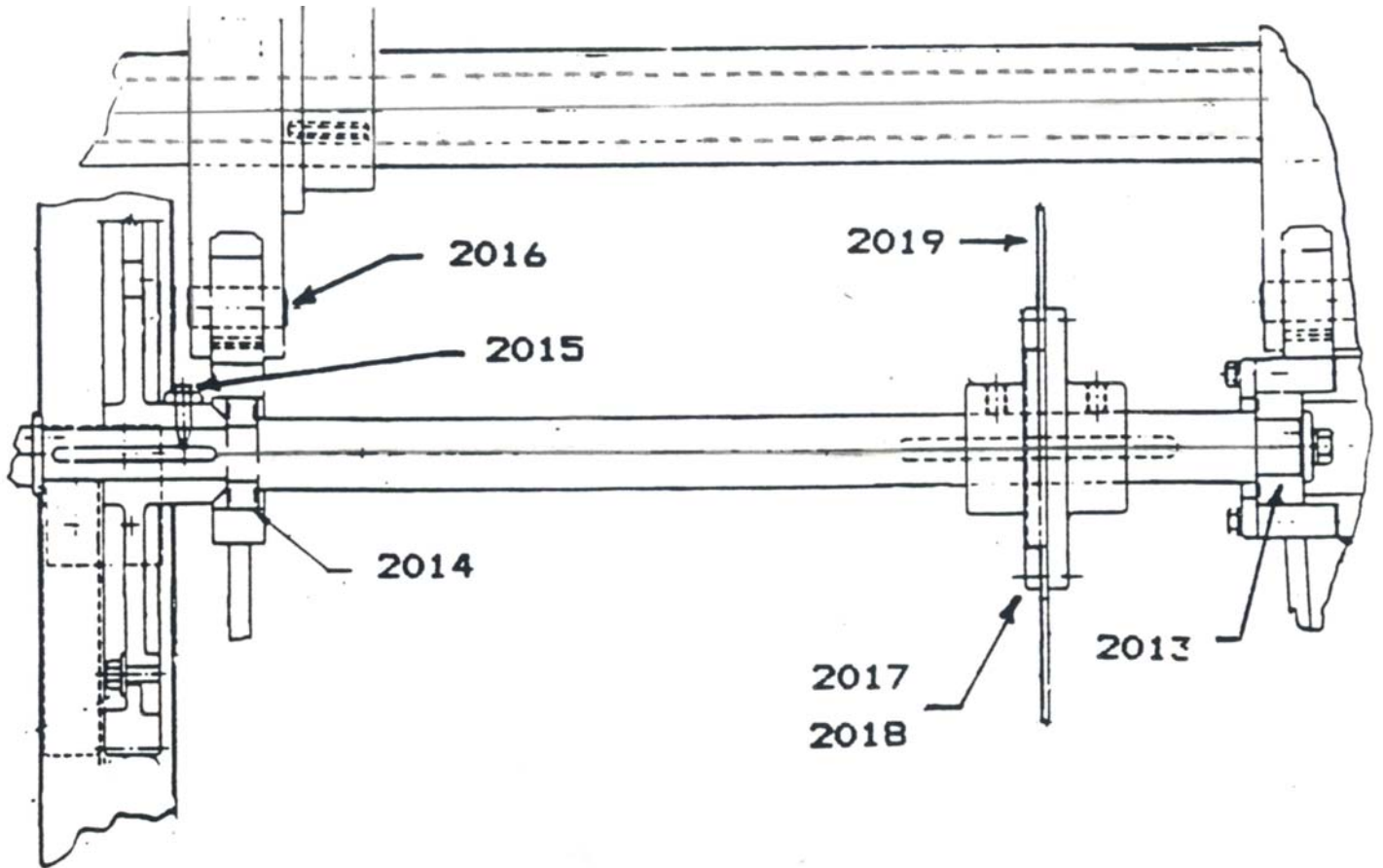
SLITTER SHAFT & DRIVE • NEW STYLE/ WITH PNEU TROLLEY

STOCK NO.	DESCRIPTION	GOSS PART NO.
1603	Slitter Hub	B-139222-0001
1673	Bearing	722605-0019
2020	Bearing	C-040105-6306
2021	Gear	C-064749-0001
2022	Bearing	C-040103-6306

www.a-americanpressparts.com

Check our website for updates!

FOLDER: : SLITTER SYSTEM



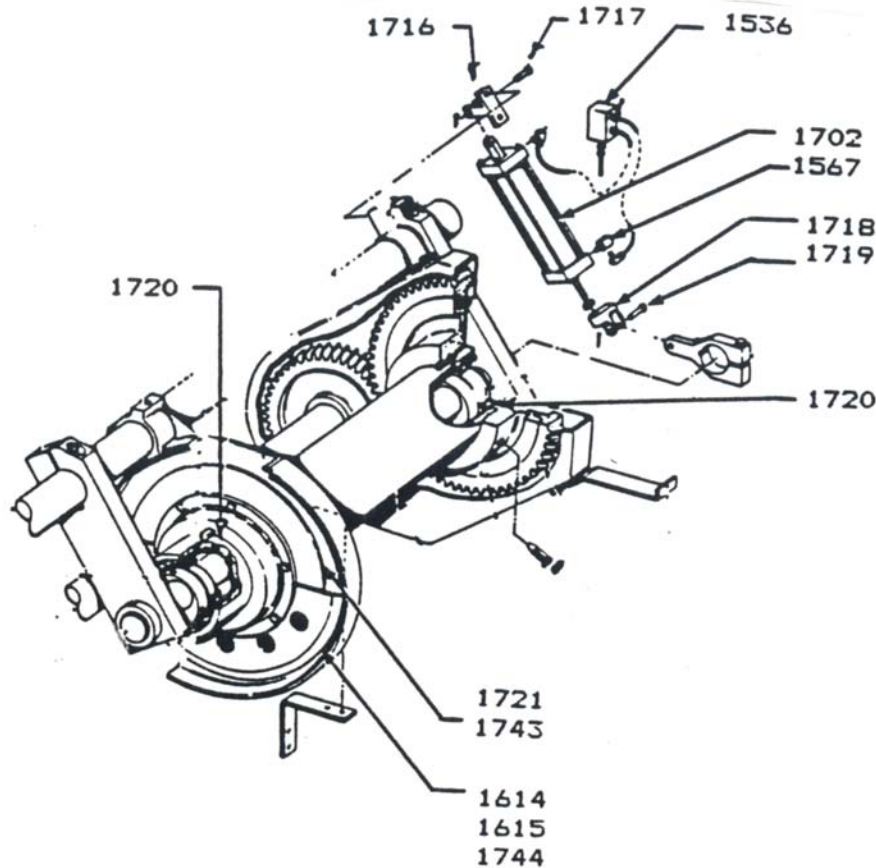
MANUAL SKIP SLITTER

STOCK NO.	DESCRIPTION	GOSS PART NO.
2013	Bearing	722605-0167
2014	Bearing	722605-0565
2015	Lock Screw	AR-001267-0001
2016	Pin	A-011051-0001
2017	Split Plate	B-130781-0001
2018	Plate (One Piece)	B-113072-0001
2019	Filler	B-113110-0001

www.a-americanpressparts.com

Check our website for updates!

FOLDER: PNEUMATIC SYSTEM



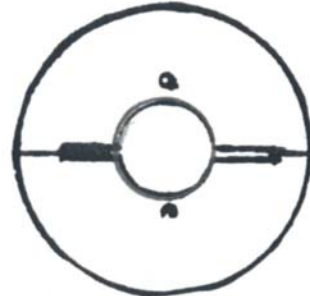
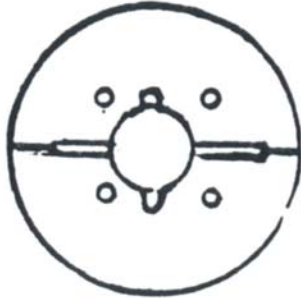
PNEUMATIC SKIP SLITTER ASSEMBLY • 2:1

STOCK NO.	DESCRIPTION	GOSS PART NO.
1536	Air Switch	899700-8114
1567	Flow Control Switch	920520-0030
1614 *	Skip Slitter	C-088221-0001
1615 *	Skip Slitter	B-138030-0001
1702	Air Cylinder	739902-0131
1716	Clevis Bracket	B-139779-0001
1717	Clevis Pin	863308-2512
1718	Clevis	B-139778-0001
1719	Clevis Pin	863308-5014
1720	Bearing	722605-0617
1721 *	Filler Segment	B-138031-0001
1743 +	Filler Segment	B-139431-0001
1744 +	Skip Slitter	C-088697-0001

* 13-11/16" to 14-1/2" PRESS

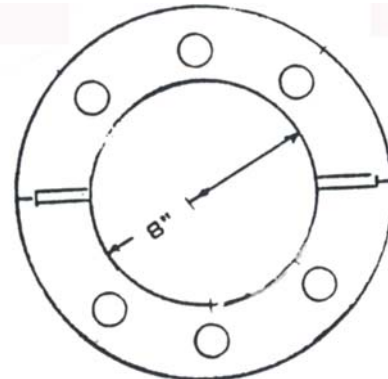
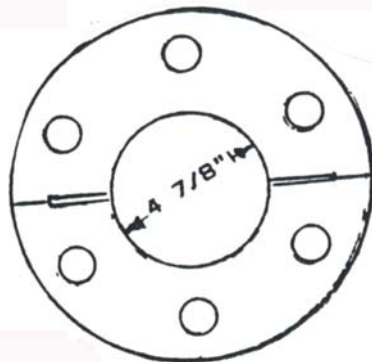
+ 15" PRESS

FOLDER: SLITTER SYSTEM



ROLLER TOP OF FORMER SLITTERS

STOCK NO.	DESCRIPTION	GOSS PART NO.
1528	Split Slitter - 5.725 Dia.	B-112217-0001
1514	Split Slitter - 5.750 Dia.	B-139223-0001
1523	Split Slitter - 5.875 Dia.	B-146967-0001
1662	Split Slitter - 5.843 Dia.	B-112217-0003
1681	Split Slitter - 5.750 Dia.	B-128909-0001

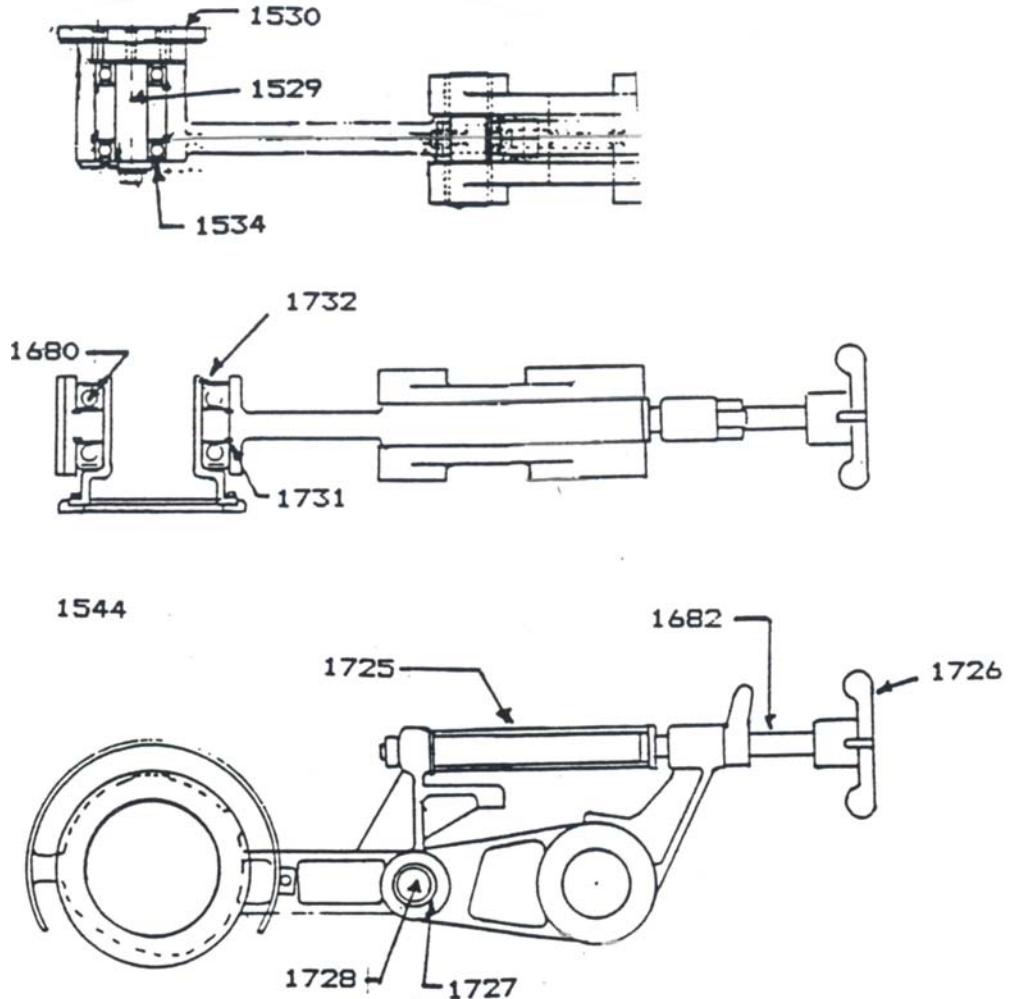


SKIP SLITTERS

STOCK NO.	DESCRIPTION	GOSS PART NO.
20004	Skip Slitter - 15" Dia.	B-080273-0001
1526	Skip Slitter - 15" Dia.	B-113071-0001
1614	Skip Slitter - 15" Dia.	C-088221-0001
1615	Skip Slitter - 15" Dia.	B-138030-0001
1602	Skip Slitter - 15-1/2" Dia. x 6-1/4"	B-078925-0001
	Skip Slitter - 15-1/2" Dia.	B-088697-0001
1526	Skip Slitter - 15-1/2" Dia. x 4-7/8"	B-117321-0001
1550	Skip Slitter - 15-1/2" Dia. x 8"	C-088222-0001
1770	Skip Slitter - 15-1/2" Dia. x 8"	C-088697-0001
1794	Skip Slitter - 15-1/2" Dia. x 4.875	B-118349-0001
1543	Skip Slitter - 16" Dia.	

**** ALL SLITTERS CAN BE MFG, TO CUSTOMER'S SPECIFICATIONS ****

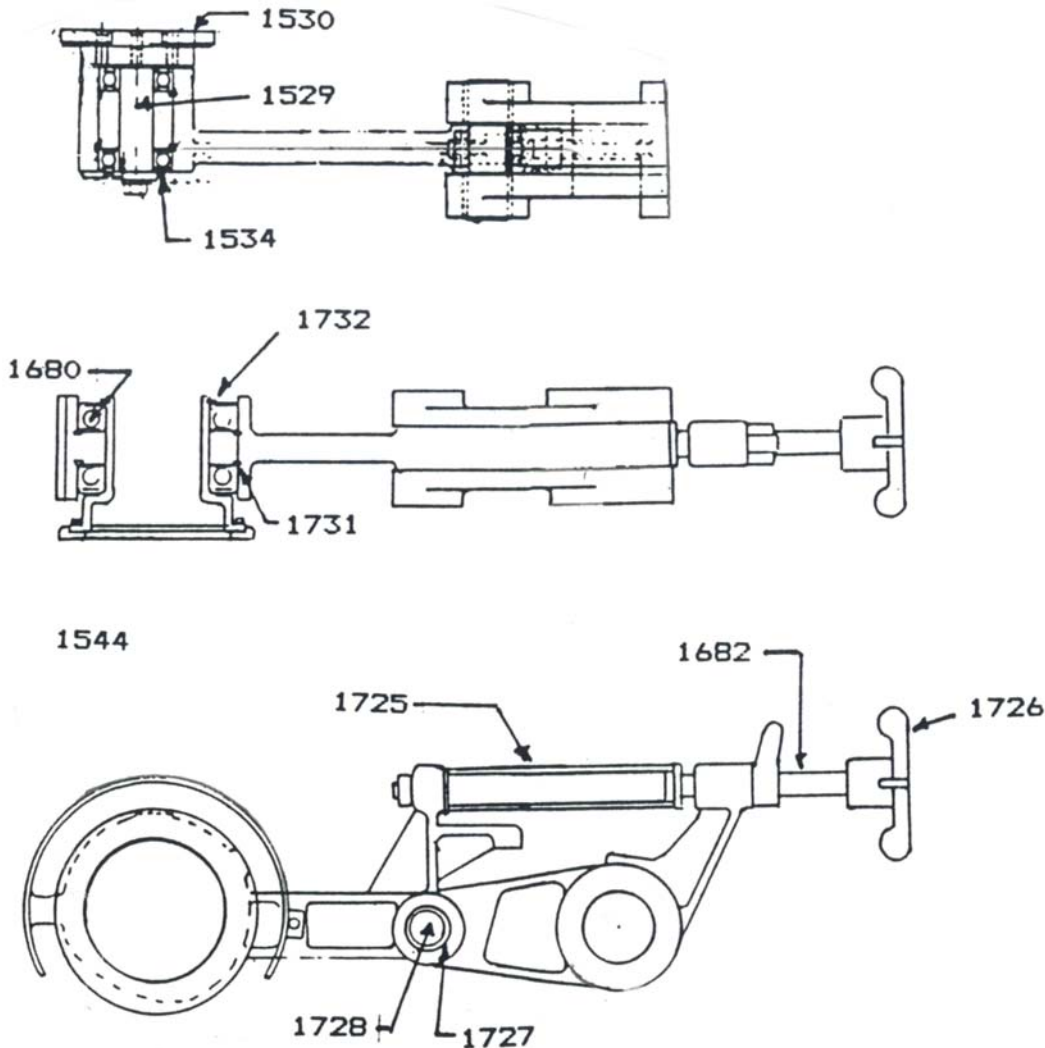
FOLDER: TROLLEY SYSTEM



RTF MANUAL TROLLEY • 2:1 & 3:2

STOCK NO.	DESCRIPTION	GOSS PART NO.
1529	Spindle	B-069354-0001
1530	Solid Brass Trolley	B-069353-0001
1534	Bearing	C-040104-6204
1544	Split Brass Trolley	B-115904-0001
1680	Bearing	722605-0235
1682	Adjusting Screw	B-079758-0001
1725	Spring	B-032246-0001
1726	Handwheel	B33195-0018-89
1727	Bushing	729405-6061
1728	Pin	B-097531-0001
1731	Spirolox Inner Ring	885470-0104
1732	Spirolox Outer Ring	885470-0152

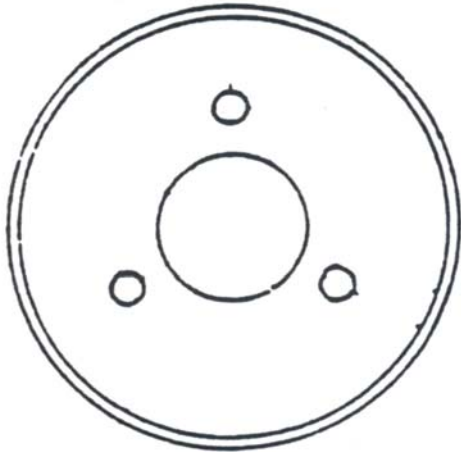
FOLDER: PNEUMATIC SYSTEM



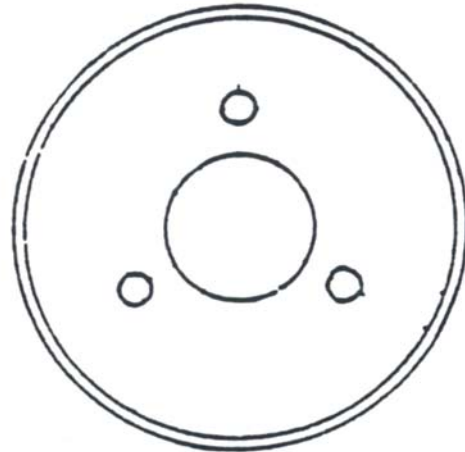
PNEUMATIC TROLLEY ASSEMBLY • 2:1 & 3:2

STOCK NO.	DESCRIPTION	GOSS PART NO.
1529	Trolley Spindle	B-069354-0001
1530	Trolley	B-069353-0001
1531	Oilite Bearing	C-040075-1606
1532	Regulator	882704-0046
1533	Gage	B-147222-0001
1534	Bearing	C-040104-6204
1536	Switch	089900-8114
1537	Back Pressure Gage	771529-0311
1567	Control Valve	920520-0030
1700	Back Pressure Regulator	882704-0047
1701	Air Cylinder	739902-0014

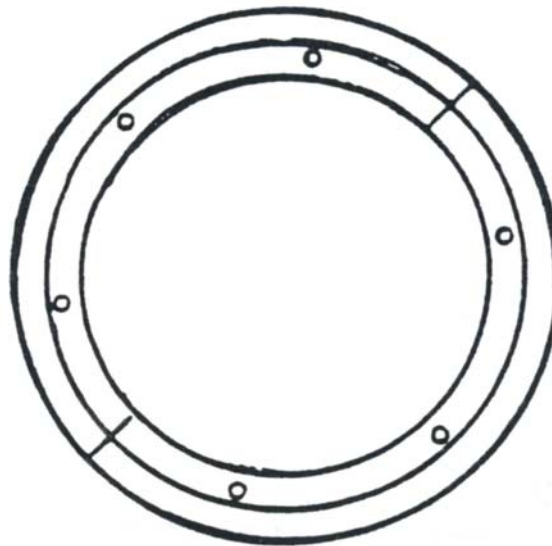
FOLDER: TROLLEY SYSTEM



1530 - 1652



1858 - 1919



1544



TROLLIES • 2:1, 3:2 & REGENT

STOCK NO.	DESCRIPTION	GOSS PART NO.
1530	Solid Bronze Trolley - 2:1 & 3:2	B-069353-0001
1544	Split Bronze Trolley - 2:1 & 3:2	B-115904-0001
1652	Solid Bronze Trolley - Regent	B-155199-0001
1858	Plastic Trolley - Regent	B-148492-0001
1919	Plastic Trolley - 2:1 & 3:2	



1-888-434-0888
TOLL FREE

FOLDER: ELECTRICAL SYSTEM

TACHOMETER & GENERATOR • 2:1 & 3:2

STOCK NO.	DESCRIPTION	GOSS PART NO.
1613-1	Tach Generator	722800-8014
1613-2	Tach Generator	722800-8015
1613-000	Tachometer	C-072790-0001
1613-004	Tachometer	C-086219-0000
1613-5	Tachometer	C-091424-0000
1613-6	Tachometer - Rebuilt	C-072790-0001
1613-7	Tach Generator Gear	B-079065-0001
1613-8	Glass Cover	
2063	Speed Control Indicator - 0-75 pph for 160 Page Green Streak Folder	

www.a-americanpressparts.com

Check our website for updates!



1-888-434-0888
TOLL FREE

FOLDER: ELECTRICAL SYSTEM

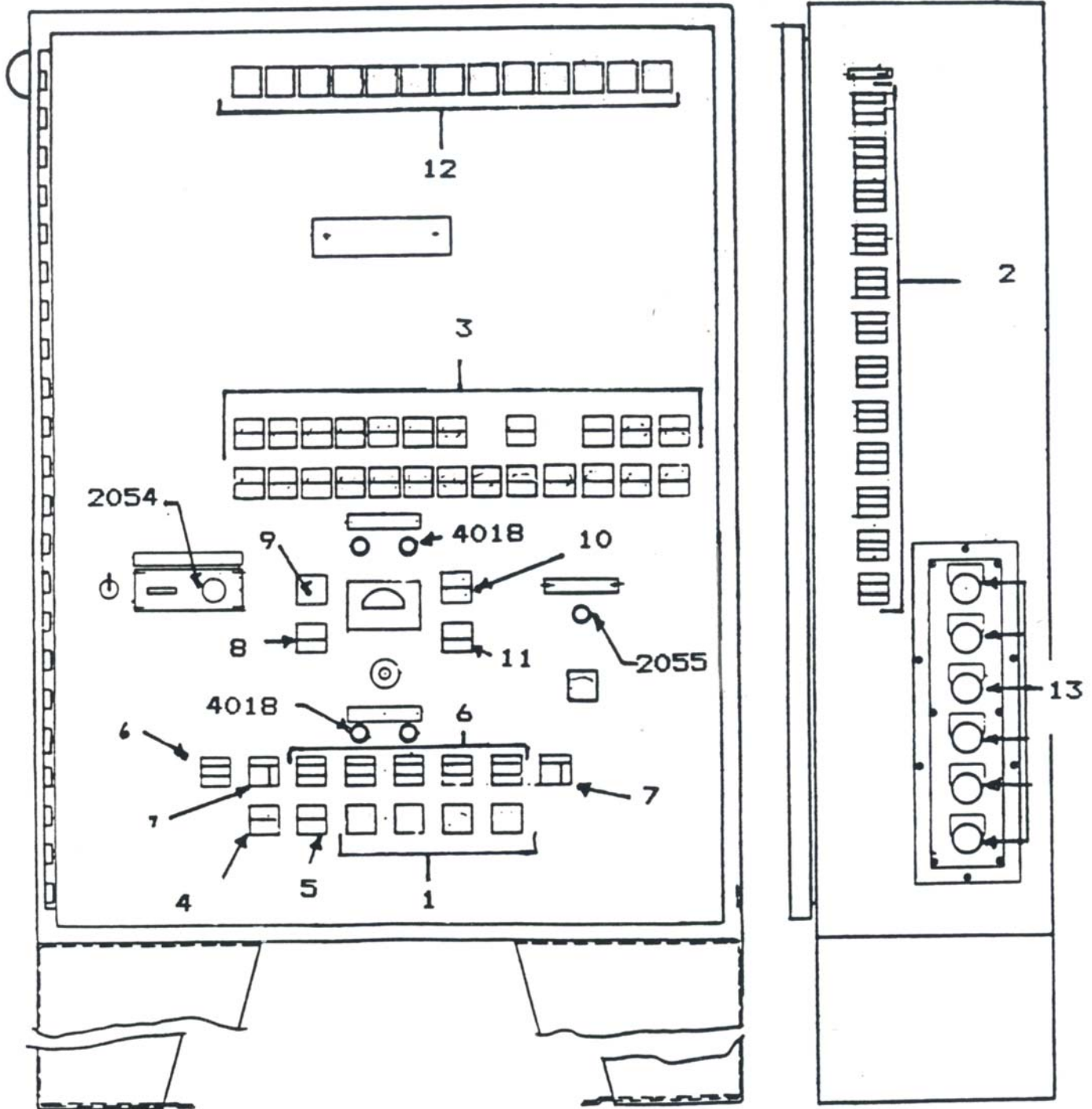
2:1 & 3:2 FOLDER

STOCK NO.	DESCRIPTION	GOSS PART NO.
1565	Pin Motor	C-092252-0002
1596	Lapp Motor	C-092252-0003
1597	Signal Lite Assy - Red-Green	
1598	Signal Lite Assy - Red-Green-White	
1632	Lubricator - 1qt. (4 drip feed)	C-098646-0014
1633	Lubricator - 1qt. (5 drip feed)	C-098646-0015
1634	Coil - 110v for above Lubricators	734700-8002
1648	Balloon Former Detector	ER-21382-0004
1655	Cross Association Detector	ER-21382-0003
1679	4 Button Station - Safe-Ready-Inch-Stop	D-023293-0007
1817	Limit Switch for Delivery Pan - 2:1	
1818	Limit Switch -Horiz. Drive - 3:2	899751-8234
1818-1	Ring Seal for Limit Switch	
1819	Limit Switch for Delivery Pan - 3:2	885477-0015
2096	6 Button Station - Safe-Ready-Inch Faster-Slower-Stop	
2097	Reel Margin Station - Special Order	

www.a-americanpressparts.com

Check our website for updates!

FOLDER: ELECTRICAL SYSTEM



FOLDER CONSOLE • UPRIGHT TYPE (NEW STYLE)



1-888-434-0888
TOLL FREE

FOLDER: ELECTRICAL SYSTEM

FOLDER CONSOLE • UPRIGHT TYPE (NEW STYLE)

	STOCK NO.	DESCRIPTION	GOSS PART NO.
(1)	2044-1	Contact Block (1NO)	ER-021989-0005
	2044-2	Contact Block (1NC)	ER-021989-0032
	2048-1	Single Button Operator	ER-021989-0031
	2051-1	Button - Yellow	C-079690-0003
	2051-2	Button - Black	C-079690-0002
	2051-3	Button - Gray	C-079690-0001
	2051-4	Button - Red	ER-021989-0041
(2)	2044-1	Contact Block (1NO)	ER-021989-0005
	2045-8	Button - Black (Left)	C-079693-0014
	2045-9	Button - Black (Right)	C-079693-0015
	2046-1	Lamp Bulb	
	2047-5	Amber Lens (Paste)	C-079696-0001
	2048-6	2 Button Operator w/ Ind. Light	ER-021989-0046
(3)	1607	2 button Operator	ER-021989-0036
	2044-1	Contact Block	ER-021989-0005
	2045-1	Button - Blue (Advance)	C-079684-0001
	2045-2	Button - Orange (Retard)	C-079684-0002
(4)	2046-2	Bulb	
	2047-2	Lens - Red	ER-021989-0025
	2047-4	Lens - Green	ER-021989-0038
	2053-1	Light - Dual Indicating	ER-021989-0034
(5)	2044-4	Contact Block (1 NO, 1 NC)	ER-021989-0029
	2048-5	2 Button Operator	ER-021989-0033
	2052-1	Button - Green	C-079684-0003
	2052-2	Button - Black	C-079684-0004
(6)	2048-2	2 Button Operator w/ Ind. Light	ER-021989-0035
	2046-1	Bulb	
	2047-1	Lens - Red	
	2044-1	Contact Block (1 NO)	ER-021989-0005
	2044-2	Contact Block (1 NC)	ER-021989-0032
	2049-1	On Button - Orange	C-079693-0012
	2049-2	On Button - White	C-079693-0008
	2049-3	On Button - Black	ER-021989-0040
	2049-4	On Button - Blue	C-079693-0005
	2049-5	On Button - Gray	C-079693-0003
	2049-6	On Button - Brown	C-079693-0001
	2049-7	On Button - Yellow	C-079691-0001
	2049-8	On Button - Black	C-079691-0006
	2050-1	Off Button - Orange	C-079693-0013
	2050-2	Off Button - White	C-079693-0009
	2050-3	Off Button - Black	C-079693-0007
	2050-4	Off Button - Blue	C-079693-0006
	2050-5	Off Button - Gray	C-079693-0004
	2050-6	Off Button - Brown	C-079693-0002



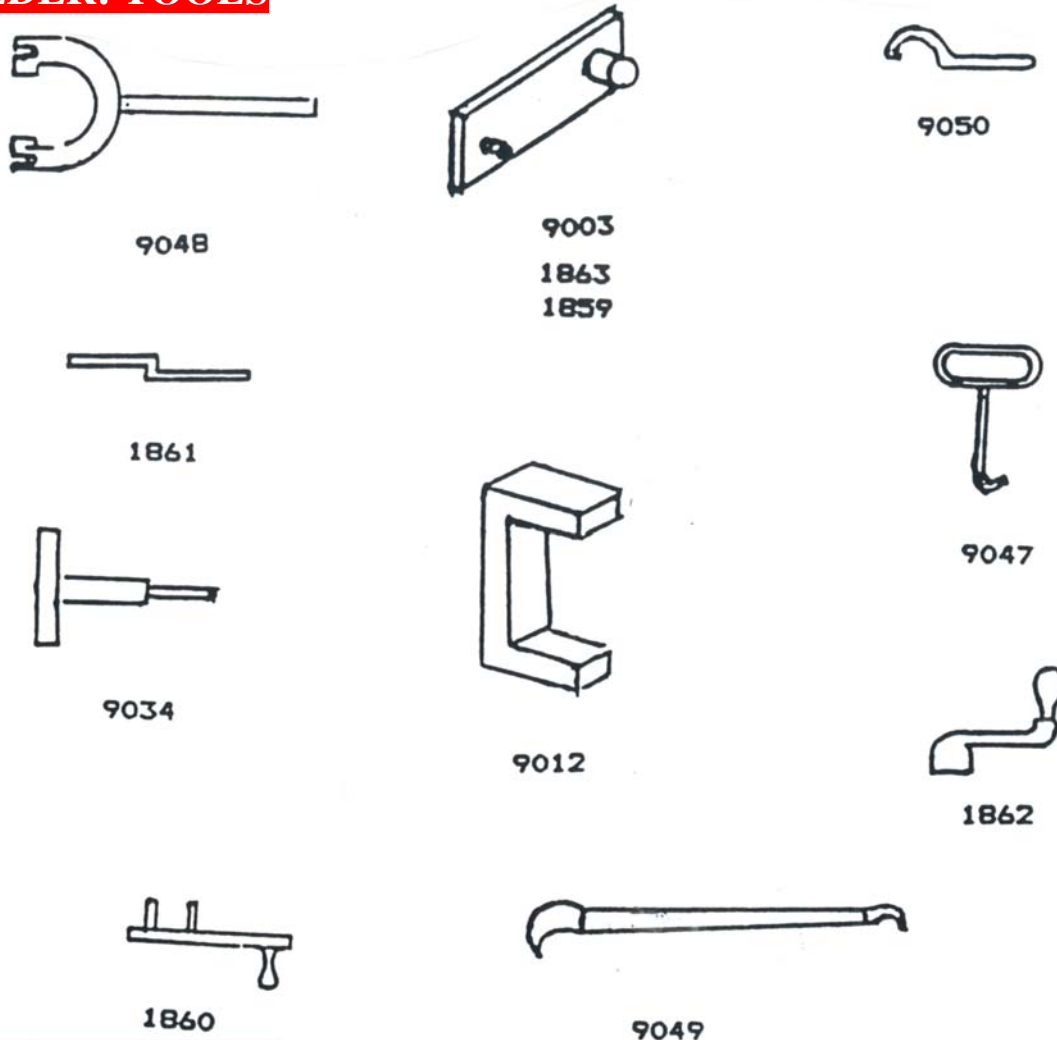
1-888-434-0888
TOLL FREE

FOLDER: ELECTRICAL SYSTEM

FOLDER CONSOLE • UPRIGHT TYPE (NEW STYLE)

	STOCK NO.	DESCRIPTION	GOSS PART NO.
(7)	2048-3	1 Button Operator w/ Release Bar & Light	
	2047-2	Lens - Red	
	2049-7	On Button - Yellow	
	2044-1	Contact Block (NO)	ER-021989-0005
	2049-8	On Button - Black	
	2046-1	Bulb	
(8)	2048-5	2 Button Operator w/ Mech. Interlock	ER-021989-0033
	2045-6	Manual Button - Black	C-079684-0023
	2045-7	Auto Button - Black	C-079684-0024
	2044-3	Contact Block (2 NC)	ER-021989-0075
(9)	2053-2	Single Indicating Light	ER-021989-0044
	2047-6	Lens - Red (Auto)	C-090710-0008
(10)	2044-2	Contact Block (1 NC)	ER-021989-0032
	2048-4	1 Button Operator w/ Ind. Light	ER-021989-0001
	2047-3	Lens - Blue	ER-021989-0039
	2045-5	Reset Button - Black	ER-021989-0043
	2046-1	Bulb	
(11)	2048-4	1 Button Operator w/ Ind. Light	ER-021989-0001
	2047-2	Lens - Red	ER-021989-0025
	2045-3	Flood Button - Black	C-079864-0033
	2044-1	Contact Block (1 NO)	ER-021989-0005
(12)	2053-2	Single Indicating Light	ER-021989-0034
	2046-2	Bulb	
	2054	Remote Counter	C-076151-0003
	2055	GE Variac	906100-8079
	4018	Fuse Holder	B-121598-0001
(13)	3609	Pushbutton Operator - Green (Safe)	D-014727-0050
	3208	Pushbutton Operator - Black	D-014727-0001
	3210	Pushbutton Operator - Gray	D-014727-0047
	2060	Pushbutton Operator - Yellow	D-014727-0003
	3211	Pushbutton Operator - Red	D-014727-0005
	3214	Contact Block (1 NO, 1NC)	D-014727-0014
	3213	Contact Block (1 NO)	D-014727-0049
	3215	Contact Block (2 NO)	D-014727-0016

FOLDER: TOOLS



TOOLS • 2:1, 3:2 & REGENT

STOCK NO.	DESCRIPTION	GOSS PART NO.
1859	Bucket or Fly Gage - Regent	C-115308-0001
1860	Folding Roller Wrench - Regent	C-115583-0001
1861	Anvil Setting Height Gage - Regent	
1862	Band Adjusting Wrench - 3:2	
1863	Bucket or Fly Gage - 3:2	
9003	Bucket or Fly Gage - 2:1	
9012	Knife Height Gage	B-035304-0001
9034	50 lb. Torque Wrench - Folding Pin	
9047	Hook for Lifting Knife Assy.	B-101730-0001
9048	Clutch Shifter Bar	C-039368-0001
9049	Key Bar	
9050	Slitter Hub Locknut Wrench	