



**GOSS METRO & METRO-LINER,
RTP, ANGLE BARS,
3:2 FOLDER & 2:1 FOLDER**

SEE THE LIGHT

For PRESSROOM SAVINGS



888-434-0888
Toll Free

**Stocking Manufacturer of
Quality Replacement Parts**

(815) 965-0884 Fax (815)965-1049



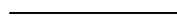
Welcome to the Quality and Service of A-American Press Parts Division. This Catalog is offered to our customers as an easy reference which will assist you in ordering your replacement parts. For your convenience it has been assembled in an ADOBE ACROBAT .PDF format with the following sections: Reel Room (RTP), Angle Bars, Metro Unit, Metro-Liner Unit, 3:2 Folder and 2:1 Folder. This is not a complete listing of all parts that are available, as many parts have varying detail numbers based on the type of equipment you have, the age of your equipment and the Model Revision of your equipment. If you do not find precisely what you are looking for please contact us and make use of our service department's combined 70 years of experience with Goss Equipment.

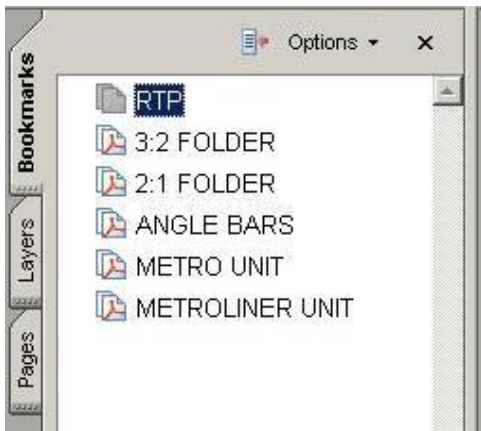
We are committed to offering our customers replacement parts of the highest quality and all parts are manufactured to meet or exceed O.E.M. specifications. If for any reason you are not completely satisfied with any product purchased you may return it for replacement, refund or credit.

MISSION STATEMENT

**To offer the Newspaper industry
excellent service and delivery
of the highest quality replacement components
for printing presses and their related equipment.**

Bookmarks!

For your convenience we have added **bookmarks** to make it easier to navigate through these catalogs. If you look to the left side of the Adobe Acrobat Reader Window you will see this button:  Click this button to open the bookmarks window.

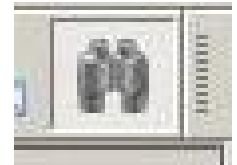


With this window open you may now click to go to any catalog you wish at any time. On each catalogs Table of Contents you will find page numbers that you can click on to be taken to any given page.

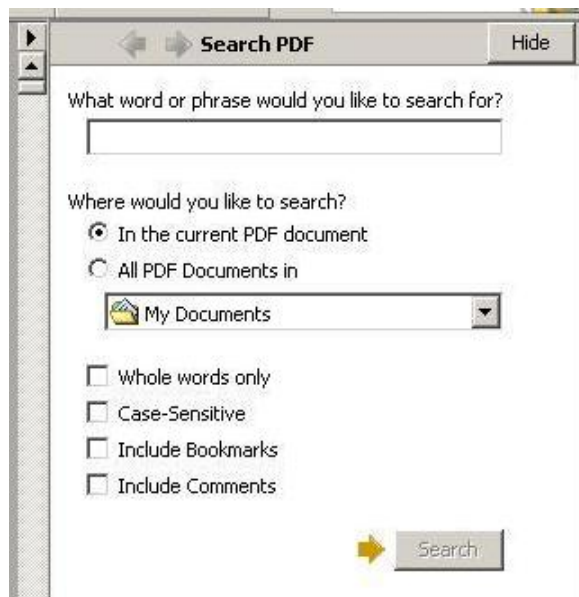
New Feature!

SEARCHABILITY

Using the Adobe Acrobat Reader we have added the ability to do searches within the parts catalog. You may search based upon the part description, the O.E.M part #, or the A-American part #. If you look to the top menu bars of the Adobe Acrobat Reader Window you will see this button:



Click this button to open the search window.



With this window open you may now search all the catalogs simultaneously. You will see every instance that your search query appears within the catalogs.

**** See our Search Tips on the next page****

Search Tips!

Once you have the search window open you can now begin searching based on part description, O.E.M. part #, or A-American part #.

Part Description

Be as general as you possibly can. If you do not find what you are looking for try other general terms. For example if you do not find Knife Box Cushions, try using Cushions or try using Cheekwoods.

O.E.M. Part #

Goss has used letters and dashes at the beginning of many part numbers to signify the size drawing that a part comes from. You may find it easier to just search using the six digit portion of the part number. Additionally Goss has used many detail numbers (-xxxx the last four digits) to signify various differences between parts and models and revisions. Again, you may find it easier to just search using the six digit portion of the part number.

A-American Part #

A-American has included detail numbers also (-xxx the last three digits) to signify various differences between parts, models revisions, upgrades and improvements. You may find it easier to search using just the four digit part number. For example 1523-000 or 1523-00T you may find it easier to search using the 1523.



**DOUBLE WIDE
MASTER CATALOG**

RTP

3:2 FOLDER

2:1 FOLDER

ANGLE BARS

METRO UNIT

METRO-LINER UNIT

**CLICK ON CATALOG NAME TO BE TAKEN TO THAT
CATALOG DIRECTLY**



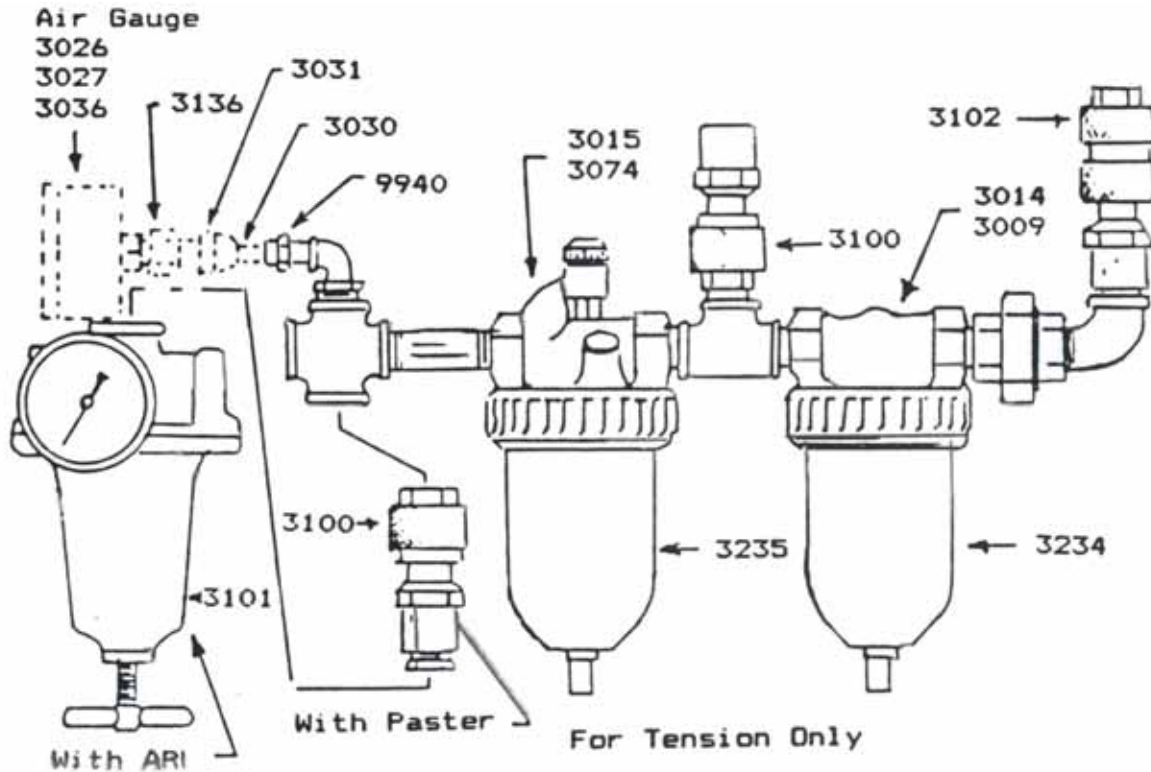
1-888-434-0888
TOLL FREE

REEL ROOM

Table of Contents

Title:	Page
AIR SYSTEM	
Air Line Filters and Lubrication Assembly	<u>2</u>
REEL SYSTEM	
Reel Spindle Spider • Standard Type	<u>3</u>
Reel Spindle Spider • Sunoco Type	<u>5</u>
Chuck Spindle Assembly	<u>6</u>
Spider Arm and Slip Ring Assembly	<u>7</u>
Hydraulic Margin Assembly	<u>8</u>
Margin Push Buttons	<u>9</u>
Cocking Roller Assembly	<u>10</u>
TENSION SYSTEM	
Cono-flow Tension Control Assembly	<u>12</u>
Simplified Tension Panel	<u>13</u>
Standard Tension Panel	<u>15</u>
Volume Booster & Inner Valve Assembly	<u>17</u>
Tension Pit and Belt Assembly	<u>19</u>
Tension Belts & Cables	<u>20</u>
PASTER SYSTEM	
Paster Brush Arm Assembly	<u>22</u>
Paster Arm Lift Cylinder Assembly	<u>23</u>
Paster Brushes	<u>24</u>
Paster Knives	<u>25</u>
Paster and Pre-Drive Air Assembly	<u>26</u>
Paster Pre-Drive Assembly	<u>27</u>
Paster Photo Cells	<u>28</u>
Wall Mounted Paster Panel	<u>29</u>
Y Mounted Paster Panel • External Components	<u>30</u>
Y Mounted Paster Panel • Internal Components	<u>31</u>
WEB LEAD-IN SYSTEM	
Web Lead-in Chain Assembly • Ball Bearing Type	<u>33</u>
Web Lead-in Chain Assembly • Non Bearing Type	<u>35</u>
TOOLS	
Reel Room Tools and Accessories	<u>38</u>
Water Spray Nozzles	<u>39</u>

REEL ROOM: AIR SYSTEM



AIR LINE FILTERS AND LUBRICATION ASSEMBLY

STOCK NO.	DESCRIPTION	GOSS PART NO.
3009	Air Filter Assy. w/ Plastic Bowl	762901-0044
3014	Air Filter Assy. w/ Steel Bowl	762901-0033
3015	Air Lubricator w/ Steel Bowl	
3026	Air Gauge (0-100 lbs.)	771500-0049
3027	Air Gauge (0-160 lbs.)	771500-0053
3030	Tubing	093820-0048
3031	Fitting	846575-3010
3036	Air Gauge (0-60 lbs.)	771500-0047
3074	Air Lubricator w/ Plastic Bowl	882700-0006
3100	Air Valve	920500-0020
3101	Air Regulator w/ gage	882700-1026
3102C	Air Valve	920500-0021
3136	Fitting	737800-1005
3234	Filter Bowl Kit for #3009	
3235	Lubricator Bowl Kit for #3074	
9940	Quick Disconnect Fitting	763675-0001

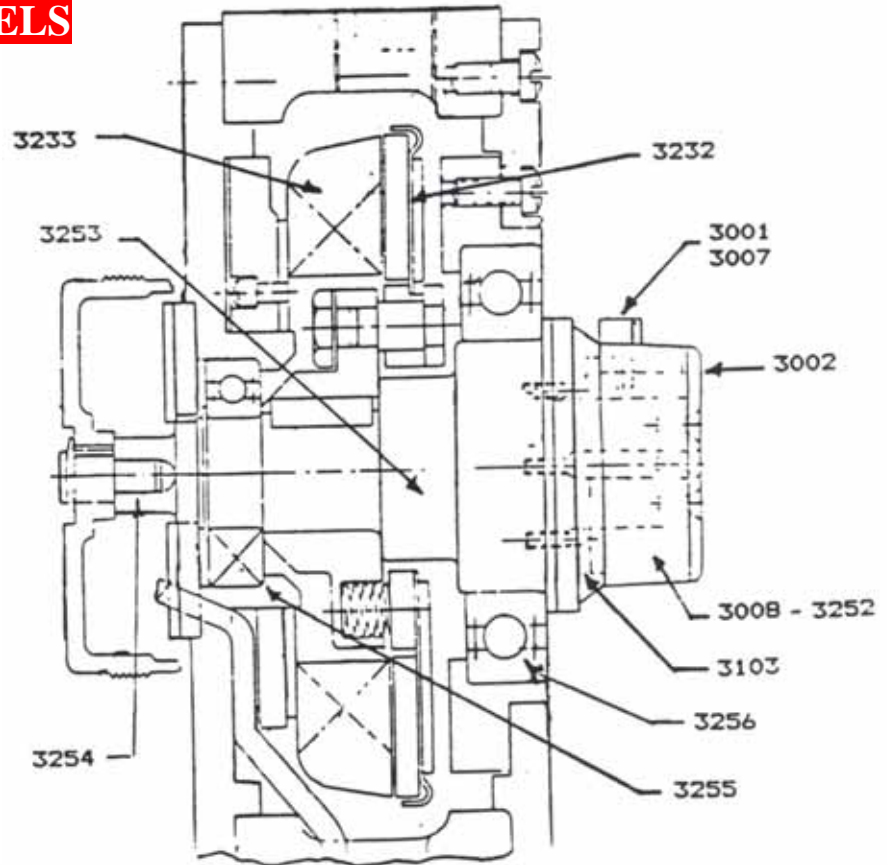
+ FOR ARL ONLY

*FOR TEST PURPOSES ONLY

www.a-americanpressparts.com

Check our website for updates!

REEL ROOM: REELS



REEL SPINDLE SPIDER • STANDARD TYPE

STOCK NO.	DESCRIPTION	GOSS PART NO.
3001 *	Chuck Key – Countersunk	
3002	Retainer	B-128926-0001
3007	Chuck Key – Counterbored	B-133556-0001
3008	Chuck	C-082373-0001
3103	Spacer	B-133534-0001
3232-000	Brake – Clutch / Warner	C-042492-0002
3232-00A	Brake – Clutch / Dyna Torque	C-066740-0002
3233-000	Brake – Armature / Warner	C-042492-0001
3233-00A	Brake – Armature / Dyna Torque	C-066740-0001
3244	Commutator	C-064096
3245	Commutator Brushes	B-111169-0001
3252	One Piece Chuck	
3253	Spindle	D-025344-0001
3254	Key	B-111374-0001
3255	Bearing	722605-0113
3256	Bearing	722605-0112

* SPECIAL LONG – LIFE – USES FLAT HD ALLEN SCREW

www.a-americanpressparts.com

Check our website for updates!



1-888-434-0888
TOLL FREE

REEL ROOM: NOTES

REEL ROOM: REELS



3003



3004



3005



3006

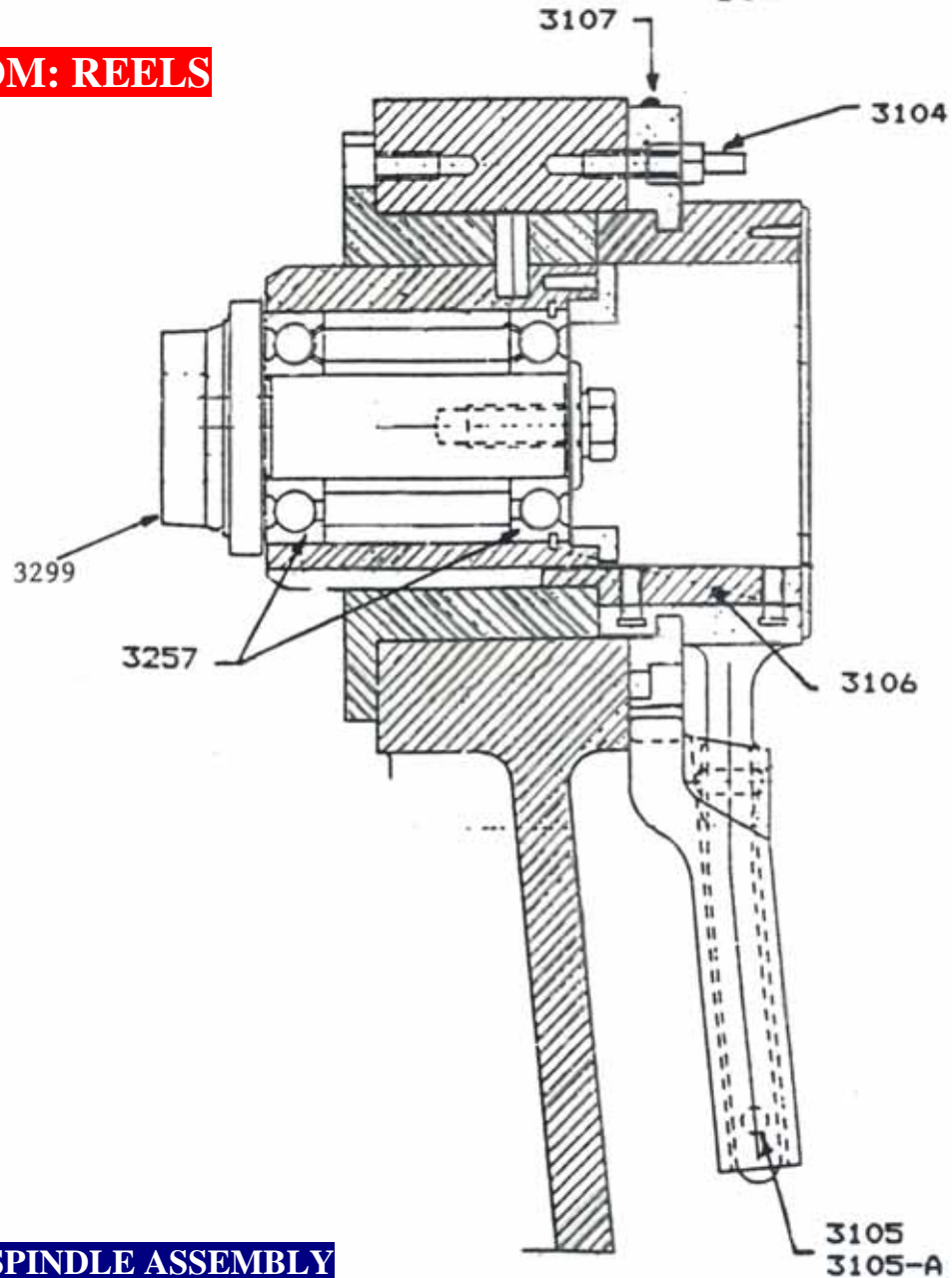
REEL SPINDLE SPIDER • SUNOCO TYPE

STOCK NO.	DESCRIPTION	GOSS PART NO.
3003	Sunoco Chuck Stop	B-133546-0002
3004	Sunoco Chuck Retainer	B-128925-0001
3005	Sunoco Chuck (3 Pc.)	C-082343-0003
3006	Sunoco Chuck Spring	897009-2929

www.a-americanpressparts.com

Check our website for updates!

REEL ROOM: REELS



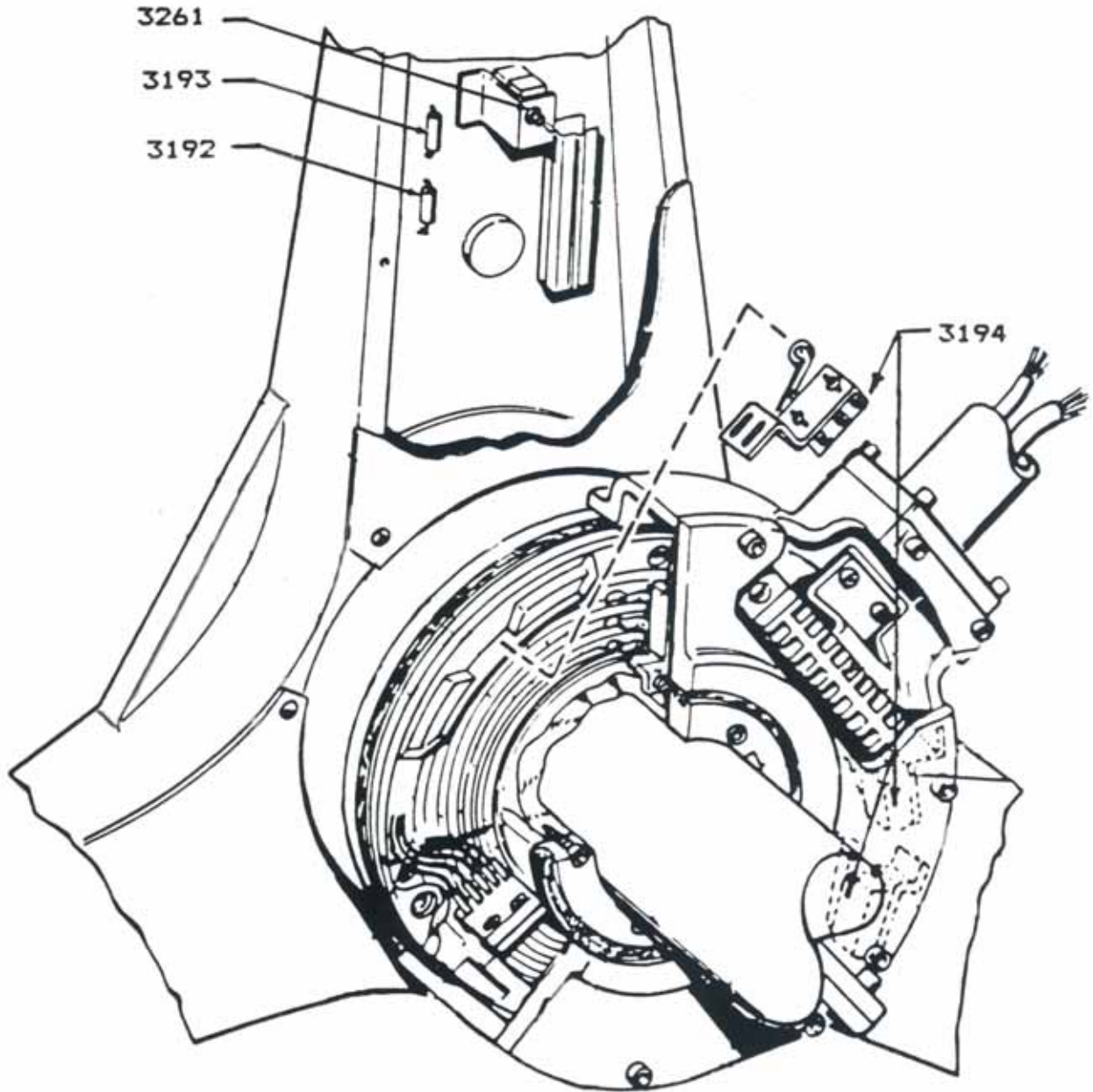
CHUCKING SPINDLE ASSEMBLY

STOCK NO.	DESCRIPTION	GOSS PART NO.
3104	Stop Screw	A-011774-0001
3105	Latch Spring (New Style)	A-011776-0001
3105-A	Latch Spring (Old Style)	
3106	Chuck Cam Key	A-011073-0001
3107	Oiler	739157-0038
3257	Bearing (Matched Set Required)	722605-0154
3299	Spindle	C-427000-1

www.a-americanpressparts.com

Check our website for updates!

REEL ROOM: REELS



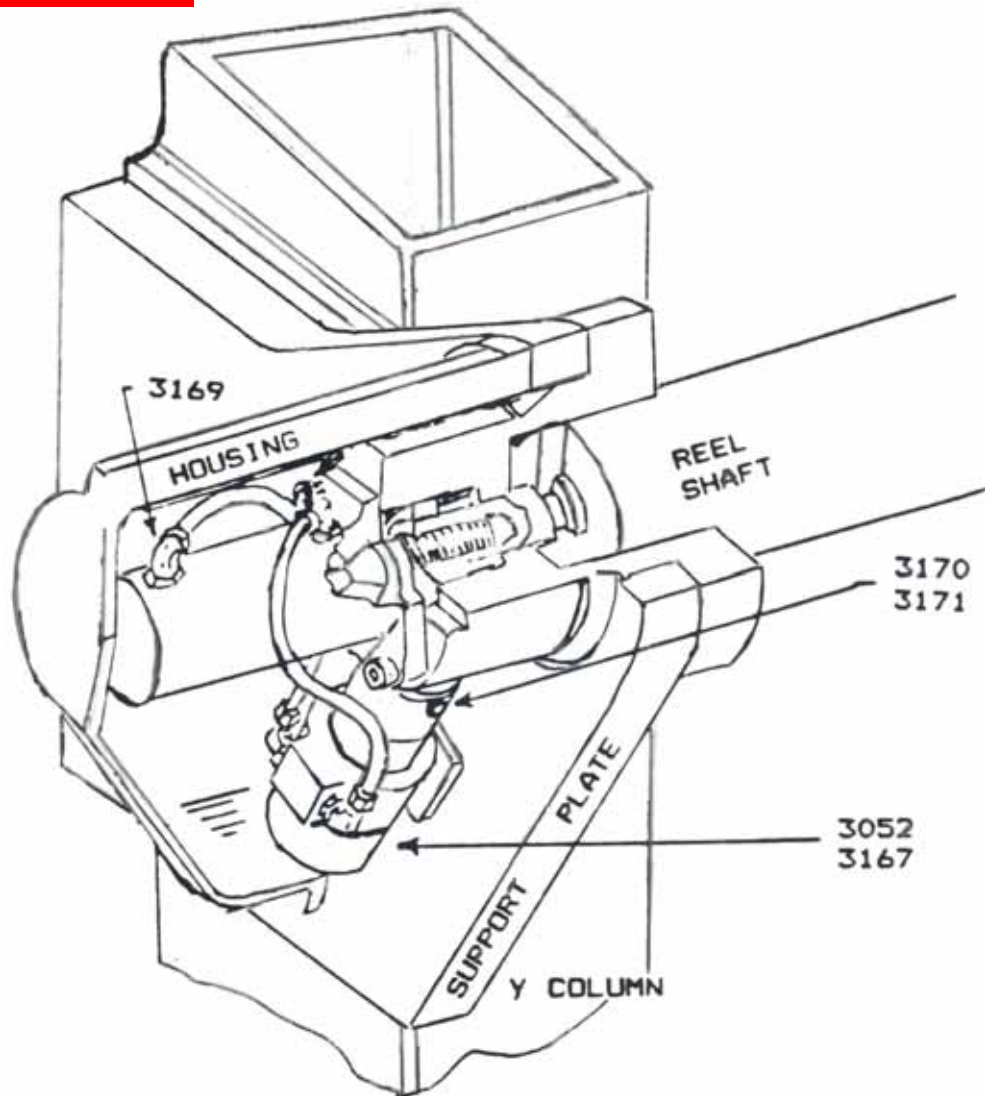
SPIDER ARM & SLIP RING ASSEMBLY

STOCK NO.	DESCRIPTION	GOSS PART NO.
3192	Resister	C-058632-0013
3193	Diode	B-131907-0014
3194	Limit Switch	899751-8126
3261	Toggle Switch	B-102337-0006

www.a-americanpressparts.com

Check our website for updates!

REEL ROOM: REELS



HYDRAULIC MARGIN ASSEMBLY

STOCK NO.	DESCRIPTION	GOSS PART NO.
3052 *	Hydraulic Pump & Motor	
3167 +	Hydraulic Pump & Motor	D-025313-0001
3168	Hydraulic Oil	
3169	Hydraulic Fitting	753075-0002
3170	Brushes for 3052	
3171	Brushes for 3167	

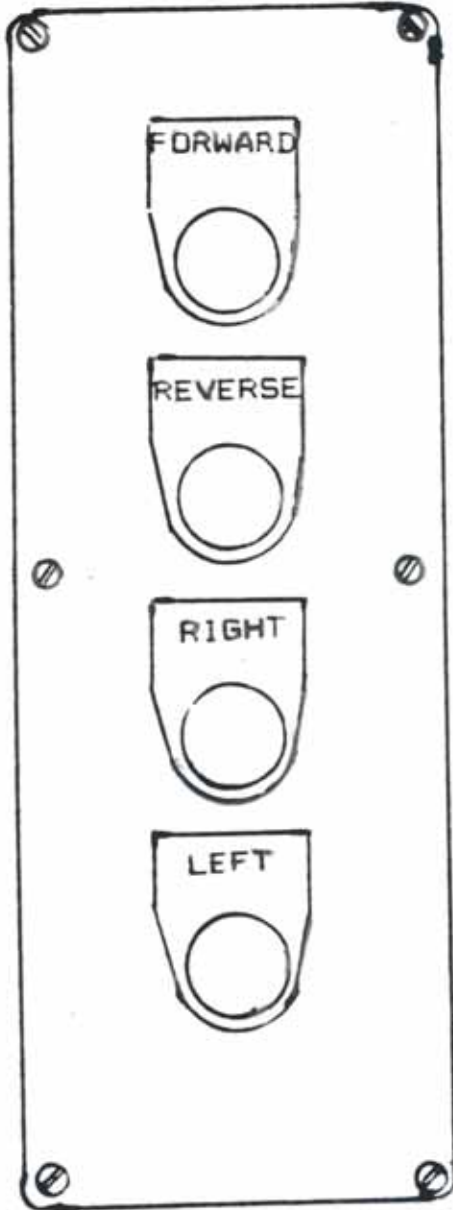
*** WITH ROBBINS & MEYERS MOTOR**

+ WITH BOSTON MOTOR

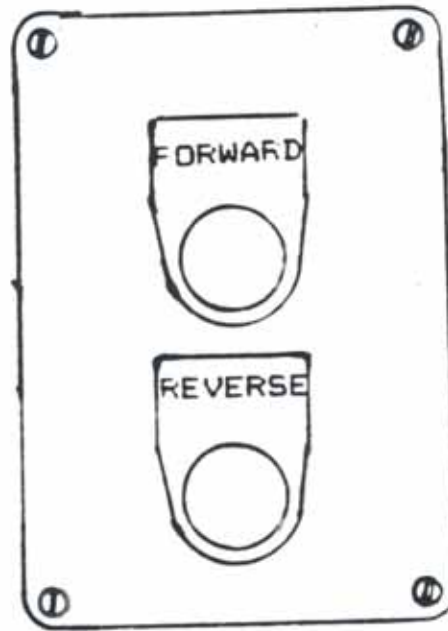
www.a-americanpressparts.com

Check our website for updates!

REEL ROOM: REELS



3208
3223



3208
3223

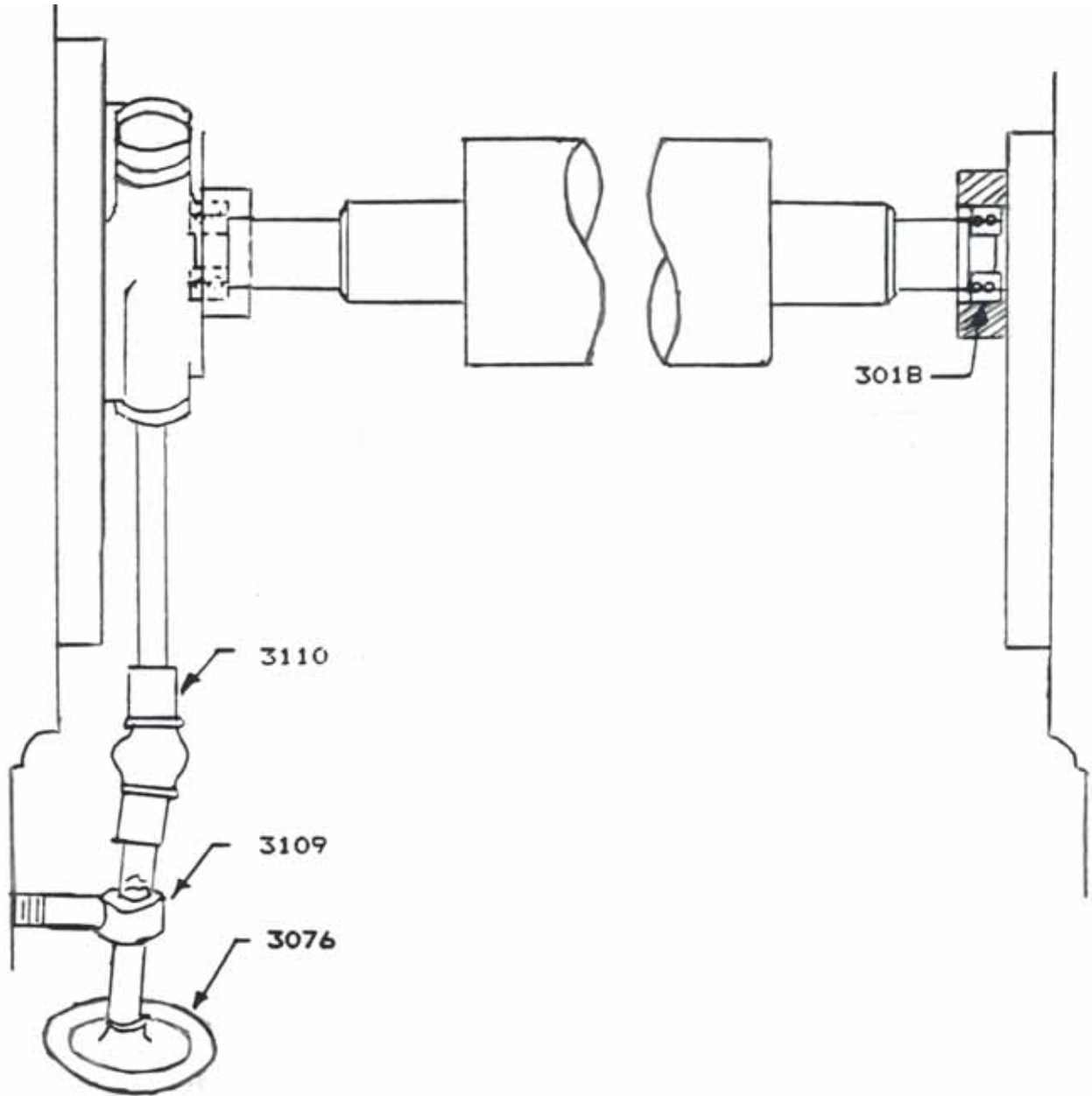
3046

3224
3225

MARGIN PUSH BUTTONS

STOCK NO.	DESCRIPTION	GOSS PART NO.
3046	Push Button Assembly	C-056043-0001
3208	Push Button Operator (Black)	D-014727-0001
3223	Contact (NO)	D-022582-0046
3224	Four Button Box	
3225	Four Button Assembly	

REEL ROOM: REELS



COCKING ROLLER ASSEMBLY

STOCK NO.	DESCRIPTION	GOSS PART NO.
3076	Handwheel	782500-0041
3109	Mounting Bearing	886100-0023
3110	Universal Joint	B-082909-0001
3018	Roller Bearing	C-040112-1204

www.a-americanpressparts.com

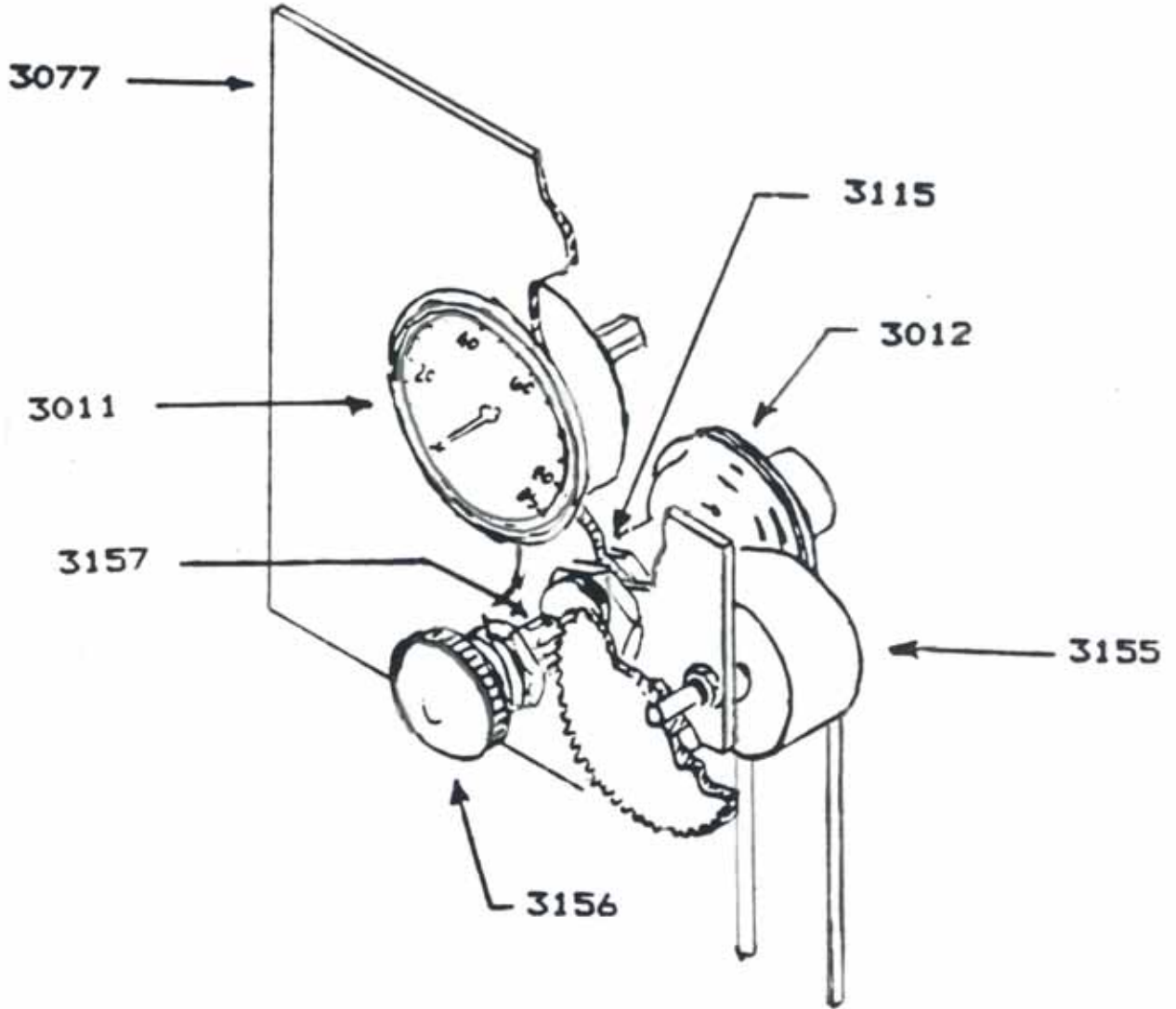
Check our website for updates!



1-888-434-0888
TOLL FREE

REEL ROOM: NOTES

REEL ROOM: TENSION



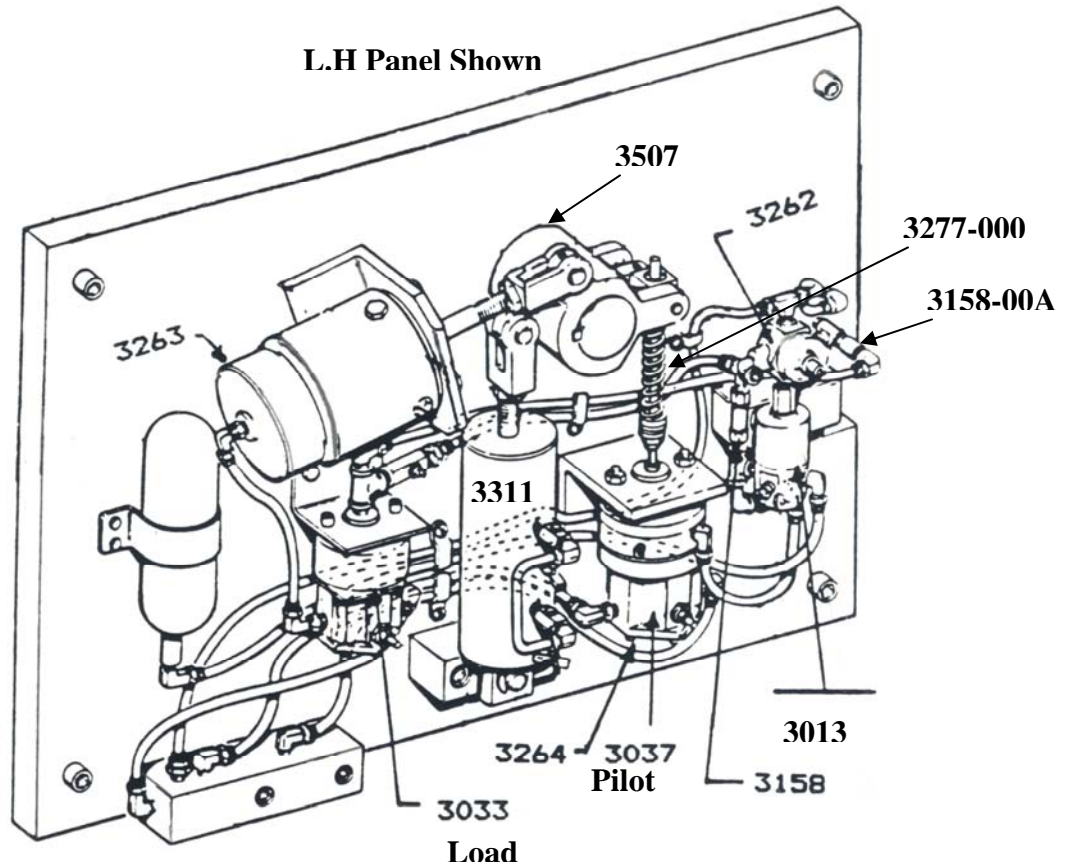
CONO-FLOW TENSION ASSEMBLY

STOCK NO.	DESCRIPTION	GOSS PART NO.
3011	Gage	771500-0067
3012	Air Regulator	882700-0202
3012	Air Regulator – Letterpress	882700-0200
3077	Cono-Flow Assy. – Complete Panel	
3115	Threaded Shaft for Valve #3012	
3155	Rheostat	C-069247-0001
3156	Knob	
3157	Gear	722000-0201

REEL ROOM: TENSION

Ask
 about our
 Static Tension
 Rebuild
 Exchanges
 Full One Year
 Warranty
 Half the
 Price!

L.H Panel Shown



SIMPLIFIED TENSION PANEL

STOCK NO.	DESCRIPTION	GOSS PART NO.
3507	Lever Hub	C-104475
3013	Stop Tension Valve	D-029593-0001
3033	LH Load Controller	C-072846-0001
3268 not shown	RH Load Controller	C-072846-0002
3037	LH Pilot Controller	ER-020338-0002
3269 not shown	RH Pilot Controller	ER-020338-0001
3158	Metering Valve	920500-0401
3158A	Metering Valve	
3262	Bias Regulator	B-125422-0001
3263	Bendix Diaphragm	743300-0025
3264	Pilot Controller Diaphragm	743361-0008
3311	Dash Pot Cylinder	
3277	Pilot Spring Assembly	
3281	Spring 4-1/2" Long	B-129702-0001
3280-001	5" Spring – Pilot Cont. Rod Assy.	B-105752-0001

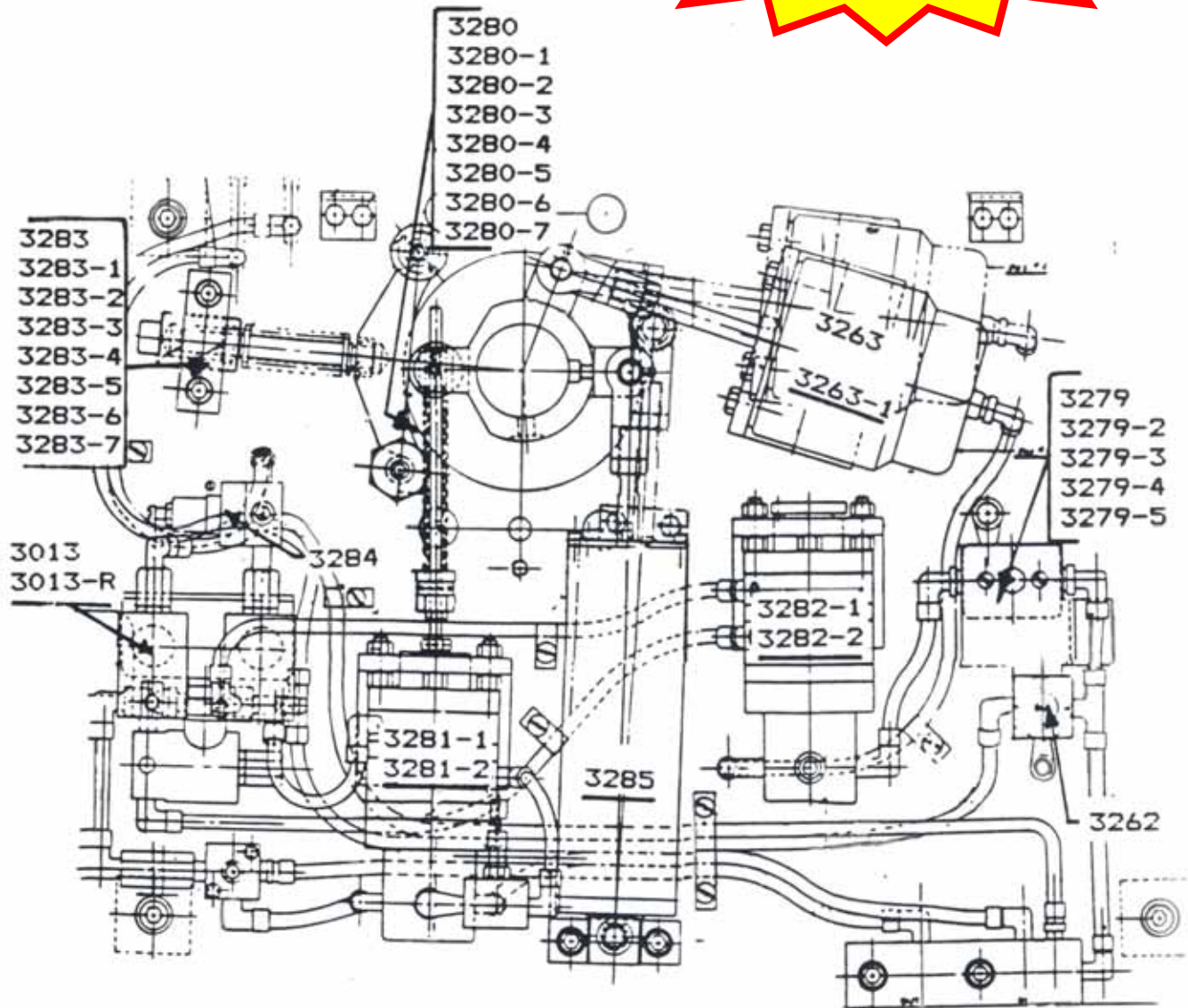


1-888-434-0888
TOLL FREE

REEL ROOM: NOTES

REEL ROOM: TENSION

**Ask about our
 Static Tension
 Rebuild Exchanges
 Full One Year Warranty
 Half the Price!**



STANDARD TENSION PANEL



1-888-434-0888
TOLL FREE

REEL ROOM: TENSION

STANDARD TENSION PANEL

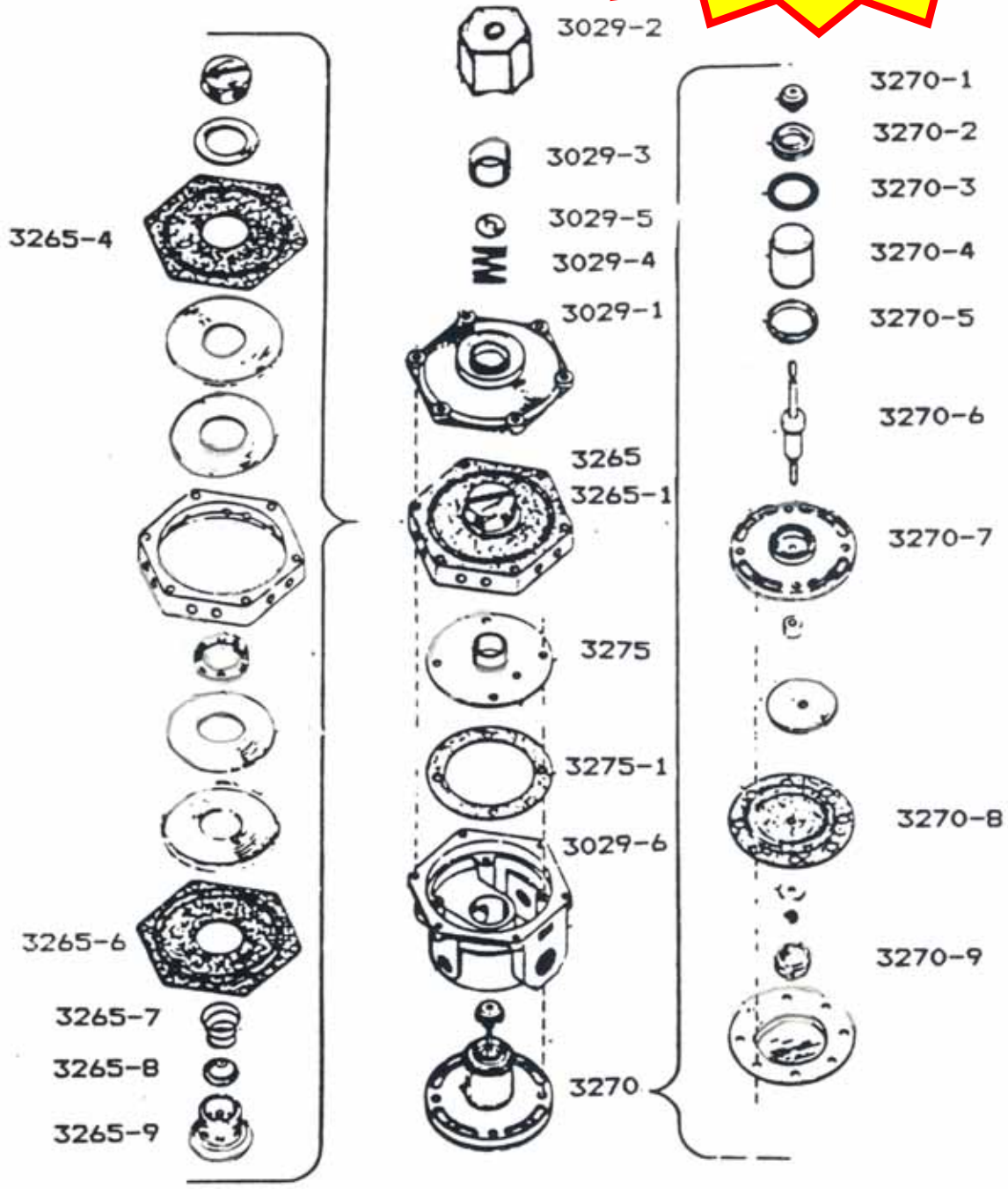
STOCK NO.	DESCRIPTION	GOSS PART NO.
3013	Solenoid (Stop-Run-Jog)	D-029593-0000
3013-R	Repair Kit for 3013 Solenoid	
3262	Regulator	B-125422-0001
3263	Bendix Loading Cylinder Assy.	C-042496-0000
3263-1	Bendix Diaphragm	743300-0025
3279	Regulator	882700-0317
3279-2	Diaphragm Assembly	
3279-3	Inner Valve Assembly	
3279-4	O-ring	
3279-5	Seat Ring	
3280	Control Rod Assembly	C-049420-0000
3280-1	Spring	B-105752-0001
3280-2	Adapter	B-090823-0001
3280-3	Bearing	
3280-4	Adapter	B-090822-0001
3280-5	Shaft	B-092932-0001
3280-6	Bearing Adapter	B-090623-0001
3280-7	Bushing Assembly	
3281-1	Pilot Controller (RH)	ER-17235-0001
3281-2	Pilot Controller (LH)	ER-17235-0002
3281-3	Diaphragm	1B90824/EB1114
3281-4	Diaphragm	1B-93541
3281-5	Diaphragm	1B90826
3281-6	Diaphragm	1B90285
3282-1	Load Controller (RH)	ER-17236-0001
3282-2	Load Controller (LH)	ER-17236-0002
3283	Cam	C-049264-0001
3283-1	Adjusting Screw	B-090732-0001
3283-2	Adjusting Screw Bracket	B-090733-0001
3283-3	Guide Rod	B-090730-0001
3283-4	Bushing	729400-0027
3283-5	Stop Washer	B-090731-0001
3283-6	Spring	B-090725-0001
3283-7	Washer	B-090727-0001
3284	Regulator	
3285	Dash Pot Cylinder Assembly	D-017718-0000

www.a-americanpressparts.com

Check our website for updates!

REEL ROOM: TENSION

**Ask about our
 Static Tension
 Rebuild Exchanges
 Full One Year Warranty
 Half the Price!**



VOLUME BOOSTER & INNER VALVE ASSEMBLY

www.a-americanpressparts.com

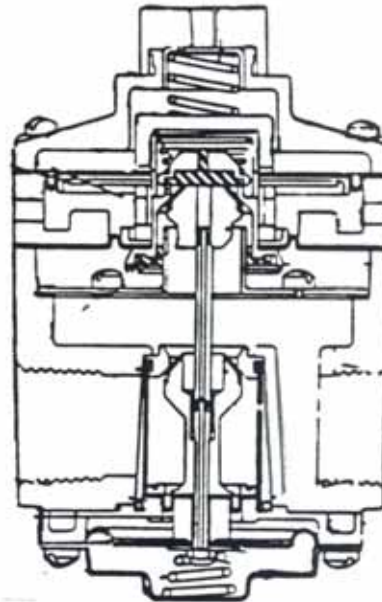
Check our website for updates!



1-888-434-0888
TOLL FREE

REEL ROOM: TENSION

**Ask about our
Static Tension
Rebuild Exchanges
Full One Year Warranty
Half the Price!**



3029

VOLUME BOOSTER & INNER VALVE ASSEMBLY

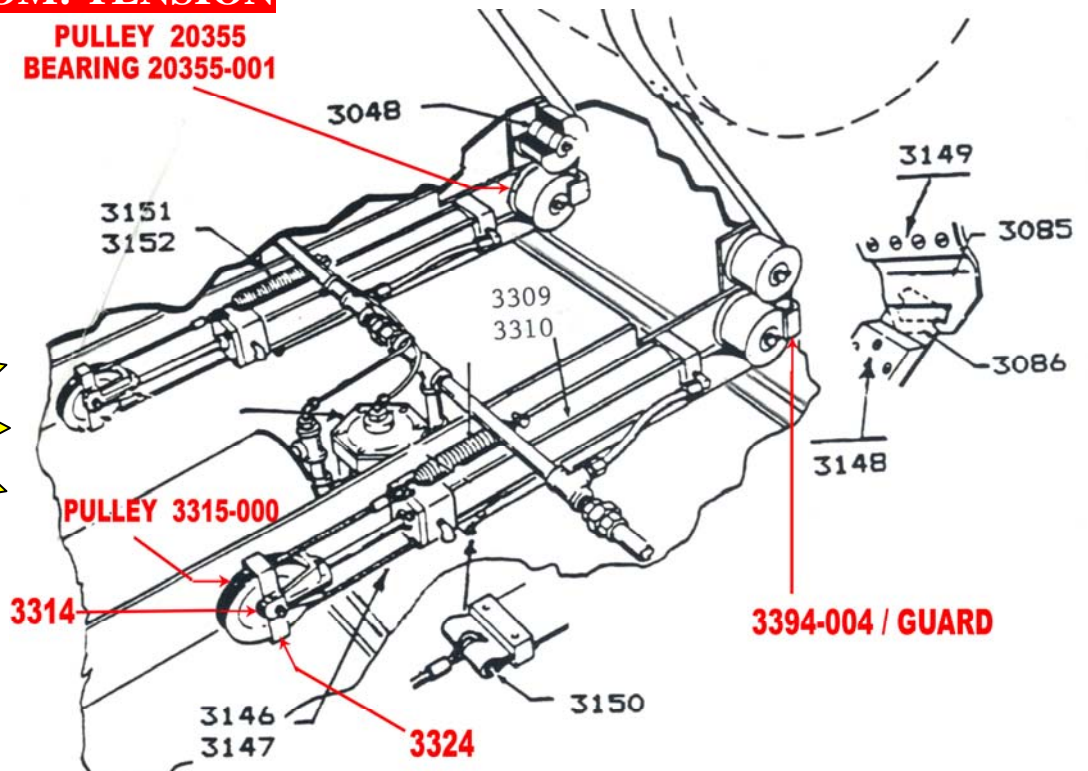
STOCK NO.	DESCRIPTION	GOSS PART NO.
3029	Air Volume Booster	D-019288-0001
3029-1	Bonnet	725800-0004
3029-2	Cap	
3029-3	Shim Guide	893700-0003
3029-4	Spring	B-102243-0001
3029-5	Shim Set	893700-0002
3029-6	Booster Body	725300-0001
3065	Control Diaphragm Assy. w/ Ratio Ring	
3065-1	Control Diaphragm Assy. w/o Ratio Ring	
3265-4	Upper Control Diaphragm	743309-0005
3265-6	Lower Control Diaphragm	743309-0007
3265-7	Poppet Spring	
3265-8	Relief Poppet	891700-0001
3265-9	Relief Seat Assembly	
3270	Inner Valve Assembly	920500-0105
3270-1	Relief Pintle	863500-0001
3270-2	Seat Ring	
3270-3	O-ring	
3270-4	Filter Screen	
3270-5	Gasket	
3270-6	Connecting Tube Assembly	897900-0003
3270-7	Balance Tube Assembly	743361-0007
3270-8	Pilot Diaphragm	743361-0005
3270-9	Spring	
3275	Seal Plate Assembly	864000-0001
3275-1	Plate Gasket Seal	

www.a-americanpressparts.com

Check our website for updates!

REEL ROOM: TENSION

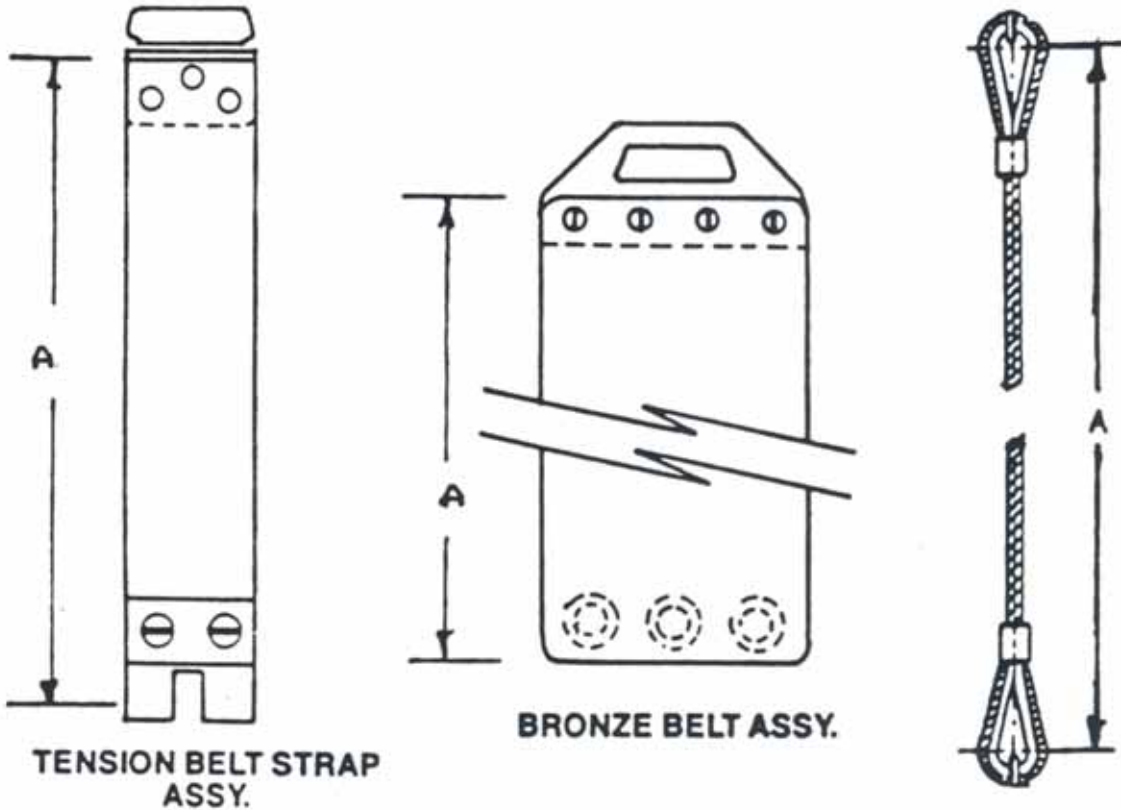
***Ask
 About
 Our Air
 Cylinder
 Repair
 Kits**



TENSION PIT AND BELT ASSEMBLY

STOCK NO.	DESCRIPTION	GOSS PART NO.
3029	Air Volume Booster	D-019288-0001
3048	Pully Shaft	B-079470-0001
3085	Bronze Tension Belt Latch	B-082259-0001
3086	Tension Belt Strap Latch	B-082258-0001
3146	Tension Belt Cable	B-077646-0003
3147	Tension Belt Cable	B-077646-0002
3148	Rivet & Washer for Strap	885700-0031
3149	River & Washer for Bronze Belt	
3150	Strap Pin	B-082388-0001
3151	Tension Spring 1-1/32 x 9-1/8	B-092385-0001
3152	Tension Spring .975 x 4-5/8	B-135956-0001
3309	Air Cylinder 12 1/2" Stroke 3/4" Rod*	C-060855-0001
3310	Air Cylinder 13 1/2" Stroke 5/8" Rod*	C-102096-0001
3314	Cable Pulley Pin	A-009837-0001
3324	Reel Cable Keeper	
3394-004	Guard	
20355	Pulley	
20355-001	Bearing	

REEL ROOM: TENSION



TENSION BELTS & CABLES

STOCK NO.	DESCRIPTION	GOSS PART NO.
3144 +	Bronze Tension Belt Assy. 95-1/2"	B-085601-0001
3032 *	Bronze Tension Belt Assy. 101-1/2"	B-085601-0002
3043	Plastic Tension Belt Assy.	
3069 +	Tension Belt Strap Assy. 42"	B-103937-0001
3145 ^	Tension Belt Strap Assy.	B-103937-0007
3144-A +	Bronze Tension Belt (Only)	B-085601-0001
3032-A *	Bronze Tension Belt (Only)	B-085601-0002
3069-A	Tension Strap (Only) 42"	B-103937-0001
3145-A	Tension Strap (Only)	B-103937-0007
3146	Tension Belt Cable	B-077646-0003
3147	Tension Belt Cable	B-077646-0002

+FOR 40" REELS

*FOR 42" TO 45" REELS

^FOR 45" REELS

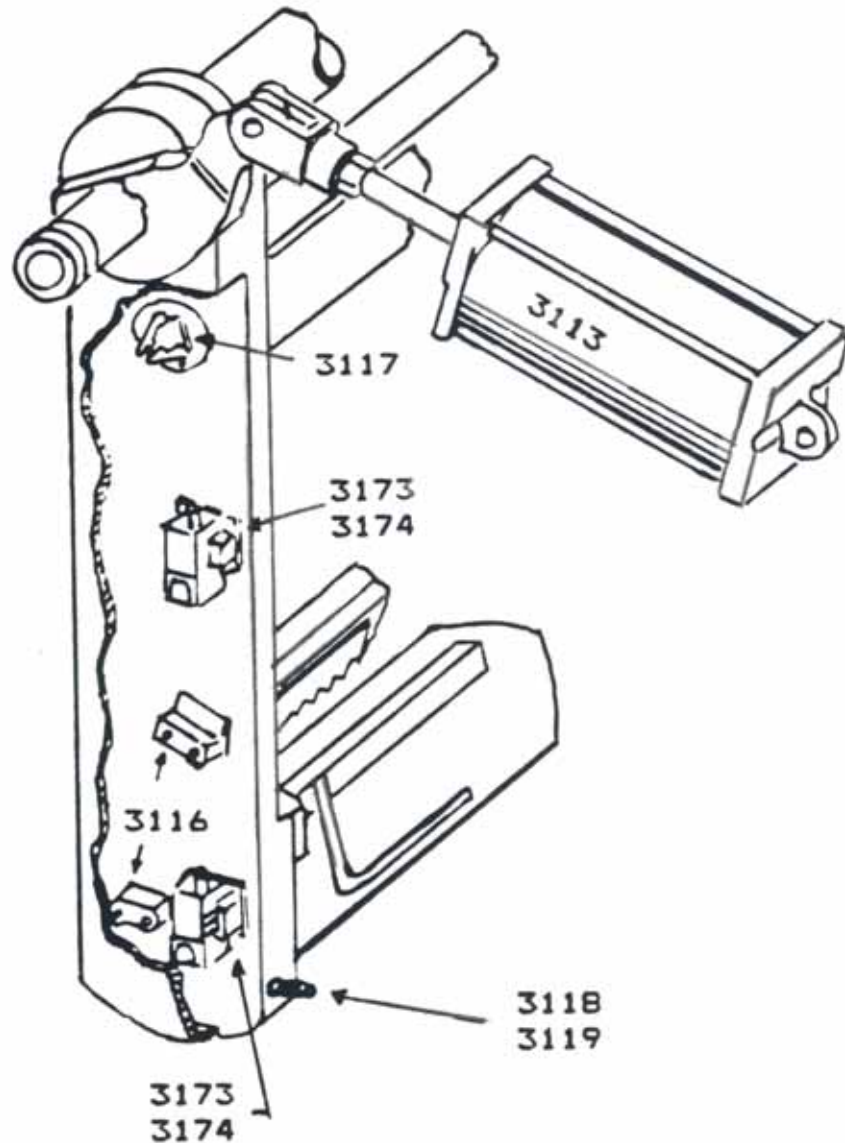
**ALL BELTS & CALBES CAN BE MADE TO CUSTOMER'S SPECIFICATIONS
 DO TO VARIABLE REEL SIZES, PLEASE SPECIFY "DIM A" WHENEVER POSSIBLE**



1-888-434-0888
TOLL FREE

REEL ROOM: NOTES

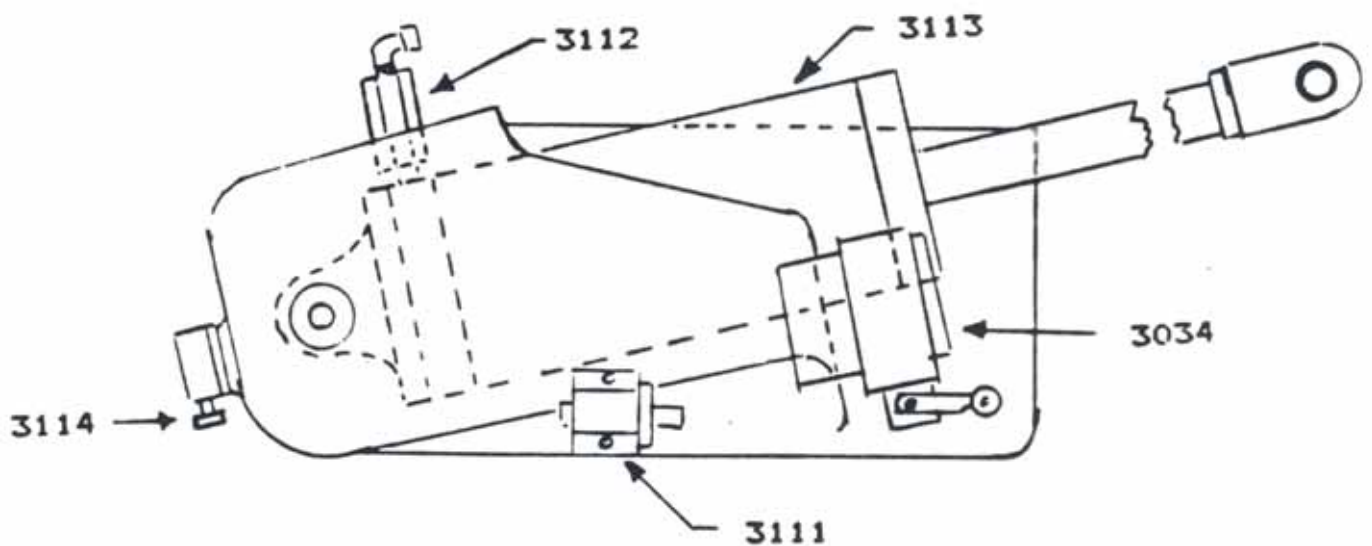
REEL ROOM: PASTER



PASTER BRUSH ASSEMBLY

STOCK NO.	DESCRIPTION	GOSS PART NO.
3113	Air Cylinder	C-052276-0001
3116	Micro-Switch	899751-8118
3117	Mercury Switch	899751-8110
3118	Spring	AR-002214-0001
3119	Stud	B-123079-0001
3173	Solenoid (LH)	B-082162-0001
3174	Solenoid (RH)	B-083503-0001

REEL ROOM: PASTER



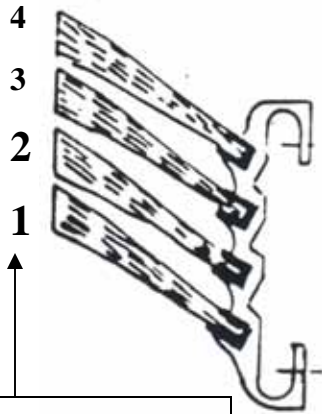
PASTER ARM LIFT CYLINDER ASSEMBLY

STOCK NO.	DESCRIPTION	GOSS PART NO.
3034	Limit Switch	899751-8231
3111	Air Cylinder	739902-0071
3112	Air Control Valve	920500-0066
3113	Air Cylinder	C-052276-0001
3114	Button Valve	920500-0009

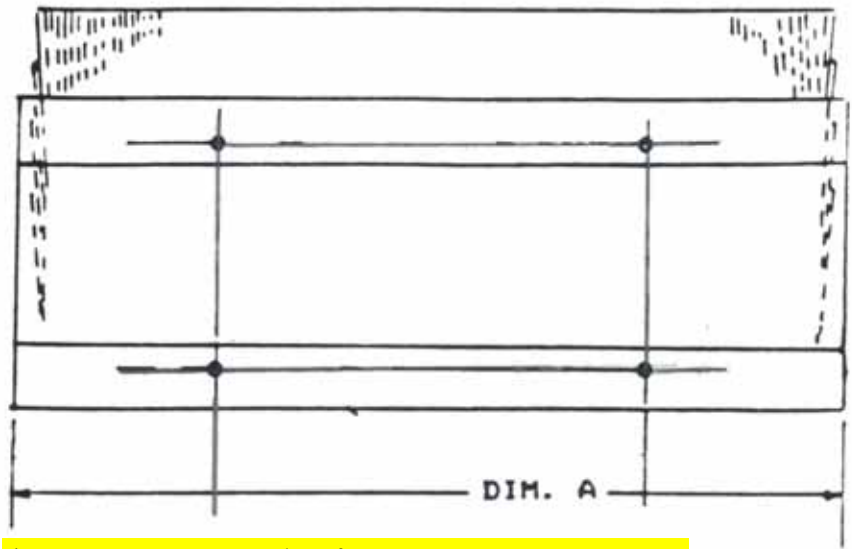
www.a-americanpressparts.com

Check our website for updates!

REEL ROOM: PASTER



4	.012	Nylon
3	.022	Nylon
2	.012	Nylon
1		Horse Hair



Ask about our 1-Piece Paster Brushes
(50", 54", 58", 60", 62-3/4")

PASTER BRUSH

STOCK NO.	DESCRIPTION	DIM. A	GOSS PART NO.
3123	Paster Brush Assy.	14-3/8	E-011012-0001
3122	Paster Brush Assy.	8-3/16	E-011012-0002
3126	Paster Brush Assy.	11-5/8	E-011012-0003
3124	Paster Brush Assy.	11-5/8	E-011012-0004
3177	Paster Brush Assy.	10-1/4	E-011012-0005
3178	Paster Brush Assy.	11-1/4	E-011012-0006
3179	Paster Brush Assy.	11-1/4	E-011012-0007
3180	Paster Brush Assy.	13	E-011012-0008
3181	Paster Brush Assy.	12-5/16	E-011012-0009
3182	Paster Brush Assy.	12-5/16	E-011012-0010
3183	Paster Brush Assy.	10-9/16	E-011012-0011
3184	Paster Brush Assy.	10-9/16	E-011012-0012
3185	Paster Brush Assy.	9-5/16	E-011012-0013
3186	Paster Brush Assy.	9-5/16	E-011012-0014
3127	Paster Brush Assy.	12-3/8	E-011012-0015
3125	Paster Brush Assy.	12-3/8	E-011012-0016
3187	Paster Brush Assy.	9-3/16	E-011012-0017
3188	Paster Brush Assy.	7-7/16	E-011012-0018
3189	Paster Brush Assy.	12-5/8	E-011012-0019
3190	Paster Brush Assy.	14-5/8	E-011012-0020
3191	Paster Brush Assy.	9-5/8	E-011012-0021

**** PASTER BRUSHES AVAILABLE DRILLED OR UNDRILLED ****

www.a-americanpressparts.com

Check our website for updates!



1-888-434-0888
TOLL FREE

REEL ROOM: PASTER

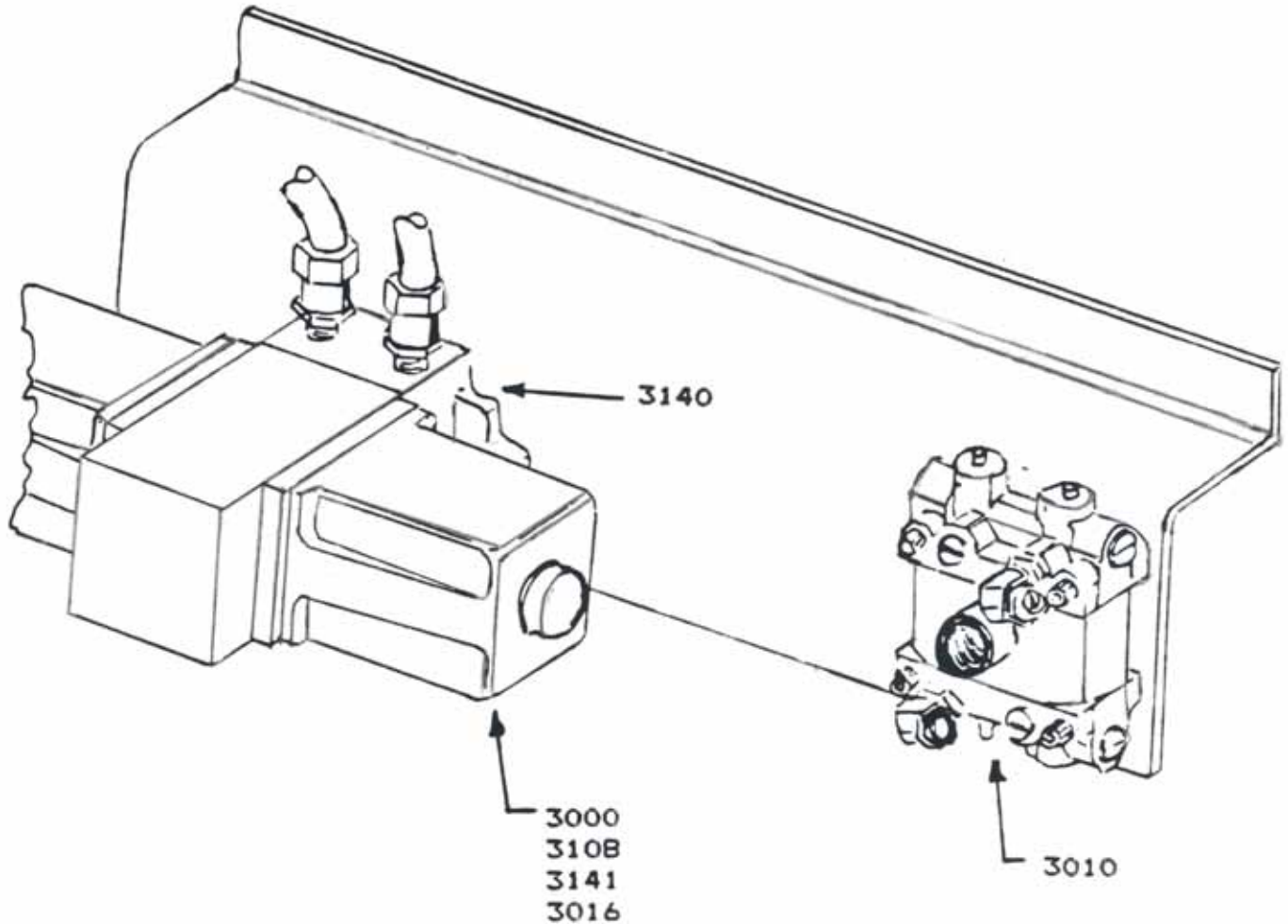
PASTER KNIVES

STOCK NO.	DESCRIPTION	GOSS PART NO.
3304-000	Paster Knife	B-104828-0001
3121-000	Paster Knife	B-104829-0001
3068-000	Paster Knife	B-104830-0001
3068-001	Paster Knife	B-104832-0001
3067-000	Paster Knife	B-104831-0001
3065-000	Paster Knife	B-135782-0001
3066-000	Paster Knife	B-135783-0001
3120-000	Paster Knife	B-140845-0001
3049-000	Paster Knife	B-148635-0001
3093-000	Paster Knife	B-149282-0001
3065-001	Paster Knife	

www.a-americanpressparts.com

Check our website for updates!

REEL ROOM: PASTER



PASTER AND PRE-DRIVE ASSEMBLY

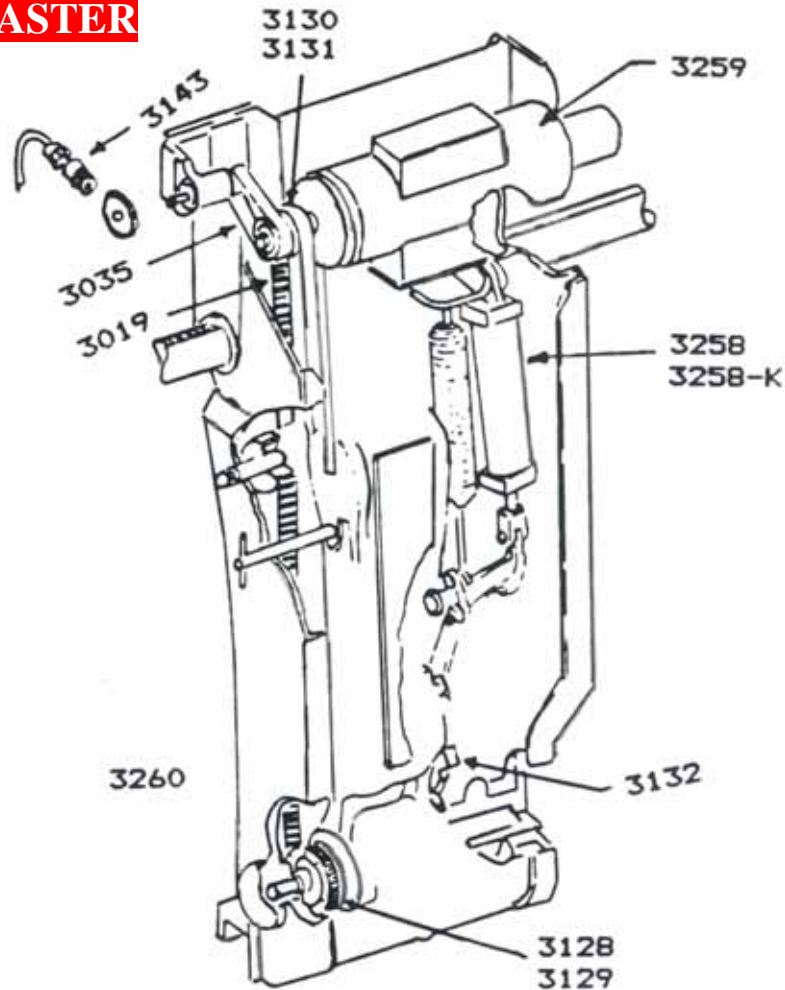
STOCK NO.	DESCRIPTION	GOSS PART NO.
3000 *	Brush Solenoid with mounting	C-061146-0001
3010	Pre-Drive Solenoid	
3016	Coil for Brush Solenoid	
3108 +	Brush Solenoid with mounting	D-036628-0001
3140	Mounting for Brush Solenoid	
3141 *	Brush Solenoid w/o mounting	

***UP TO & INCLUDING PRESS NO. 3220**
+FOR ALL OTHERS AFTER PRESS NO. 3220

www.a-americanpressparts.com

Check our website for updates!

REEL ROOM: PASTER



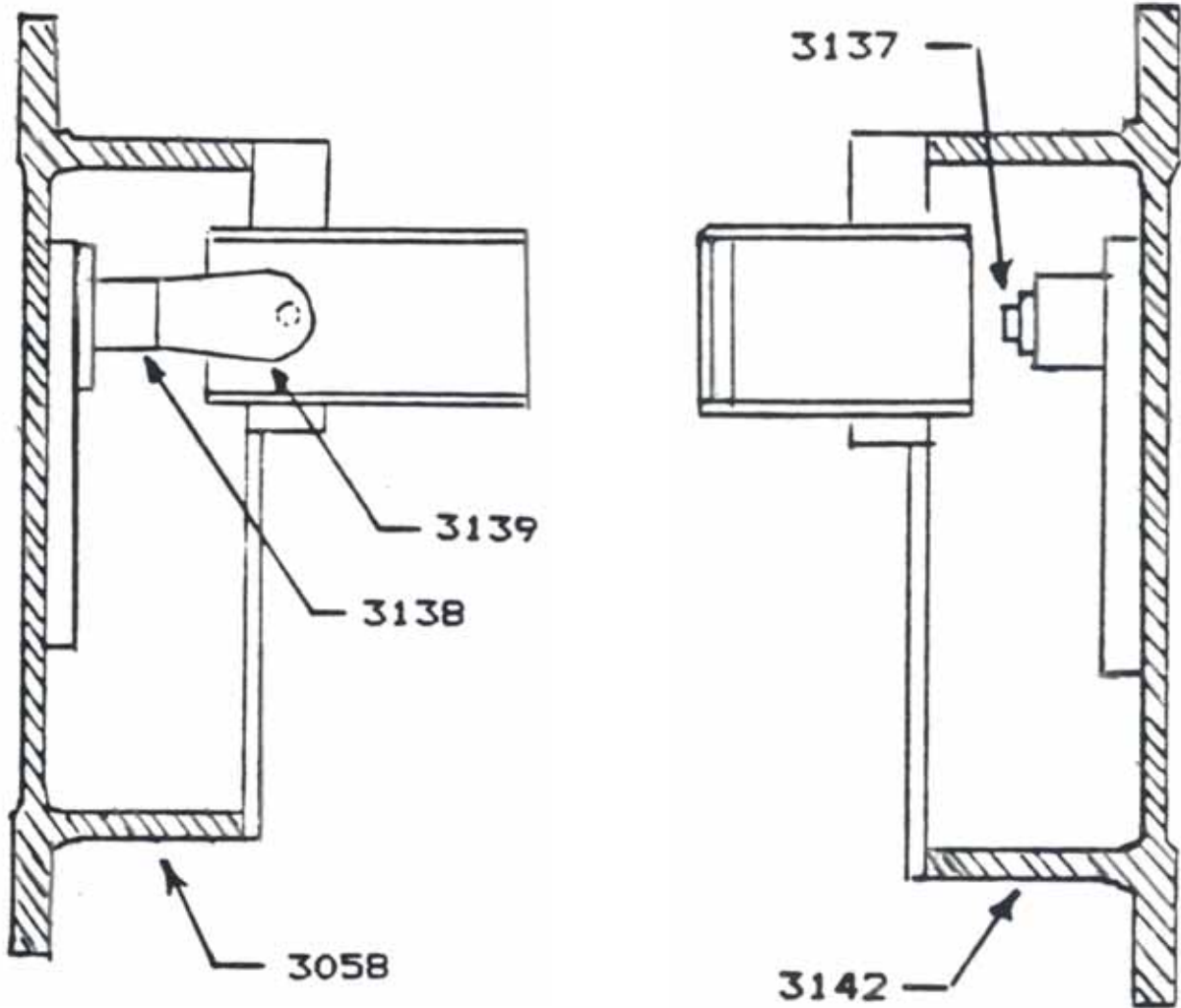
PASTER PRE-DRIVE ASSEMBLY

STOCK NO.	DESCRIPTION	GOSS PART NO.
3019	Timing Belt	723675-0391
3035	Belt	723621-0001
3128	Pulley Bushing	729404-7112
3129	Pulley	868079-4160
3130	Pulley	868000-0050
3131	Pulley Bushing	729404-5003
3132	Limit Switch	899751-8141
3143	Magnetic Pick-up	B-110366-0001
3258	Air Cylinder	739902-0010
3258-K	Air Cylinder	813067-0001
3259	Motor Brush	728317-8075
3260	Convex Lens	823800-0015

www.a-americanpressparts.com

Check our website for updates!

REEL ROOM: PASTER



PASTER PHOTO CELLS

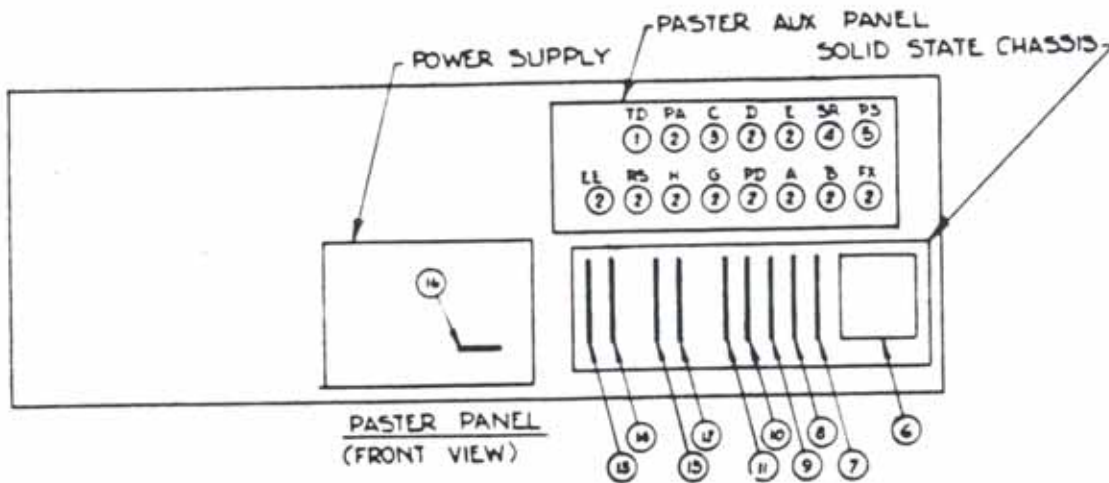
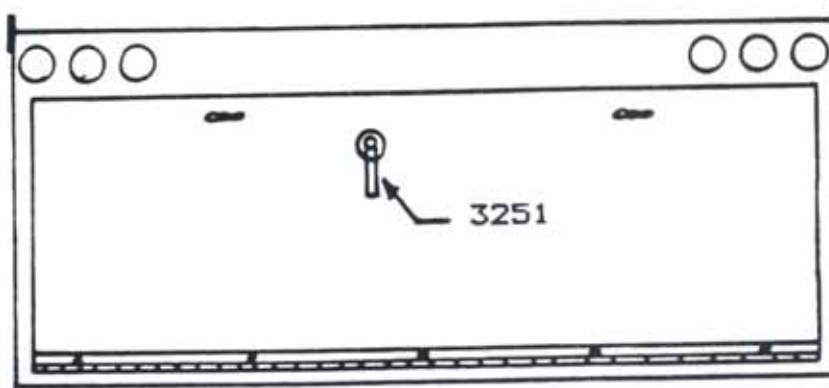
STOCK NO.	DESCRIPTION	GOSS PART NO.
3058 *	Transmitter Assembly	D-022113-0001
3137	Photo-Cell	862400-0010
3138	Receptacle	881600-8705
3139	Lamp	C-058134-0029
3142 *	Receiver Assembly	D-022113-0002

* SPECIAL ORDER ITEM

www.a-americanpressparts.com

Check our website for updates!

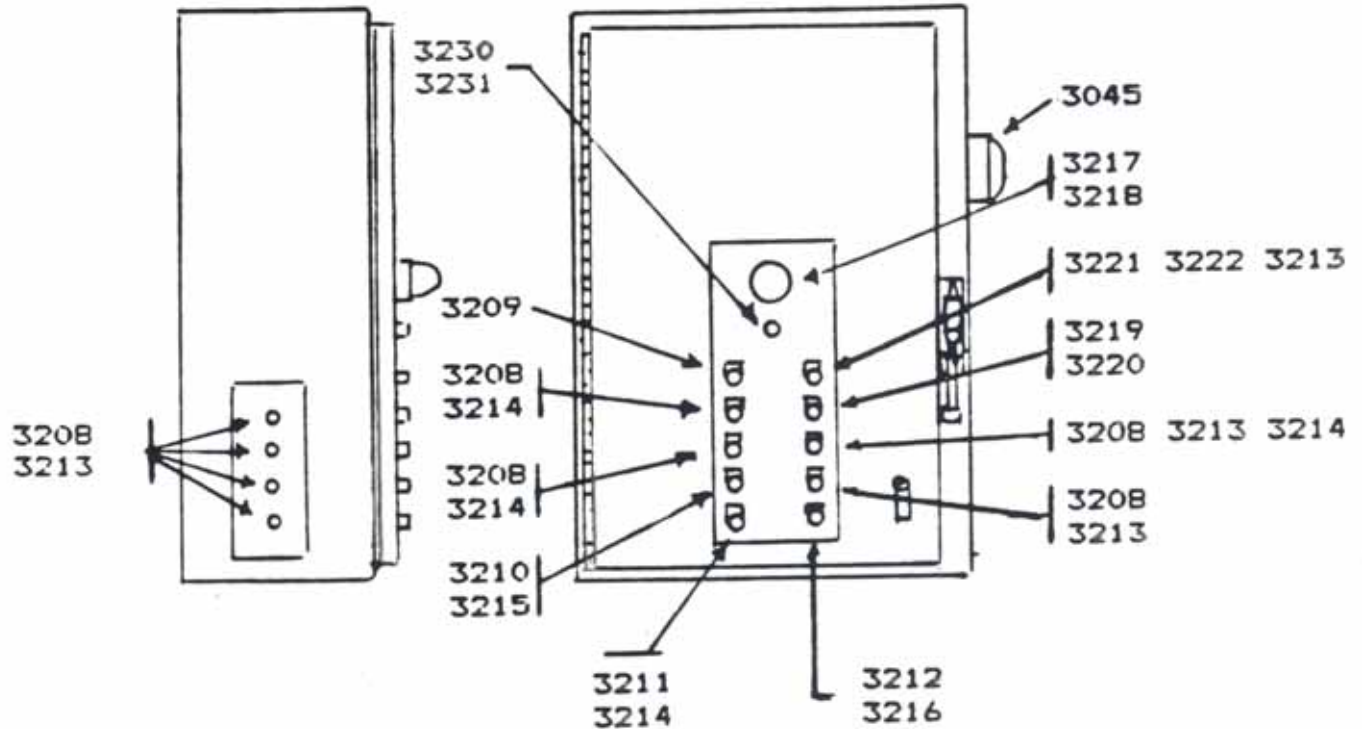
REEL ROOM: PASTER



WALL MOUNTED PASTER PANEL

SLOT	STOCK NO.	DESCRIPTION	GOSS PART NO.
1	3195	Relay – Time Delay	C-060911-0002
2	3042	Relay – (KA 4166) or (KA 4876)	C-090746-0002
3	3196	Relay – (KA 4165) or (KA 4875)	C-090746-0001
4	3197	Relay – (KA 4167) or (KA 4877)	C-090746-0003
5	3198	Relay – (Sigma)	
7	3055	#3 Counter Control Board	D-019508-0001
8	3203	#4 & #5 Counter Board	D-019502-0001
10	3204	#6 Coincidence Board	D-019504-0001
11	3056	#7 Output Board	D-019505-0001
12	3023	#9 Driver Board	D-021929-0001
13	3022	#10 Pre-Drive Board	D-021928-0001
14	3020	#12 Surface Sensing Board	D-021927-0001
15	3021	#13 Roll Position Board	D-021926-0001
	3251	Circuit Breaker Handle	

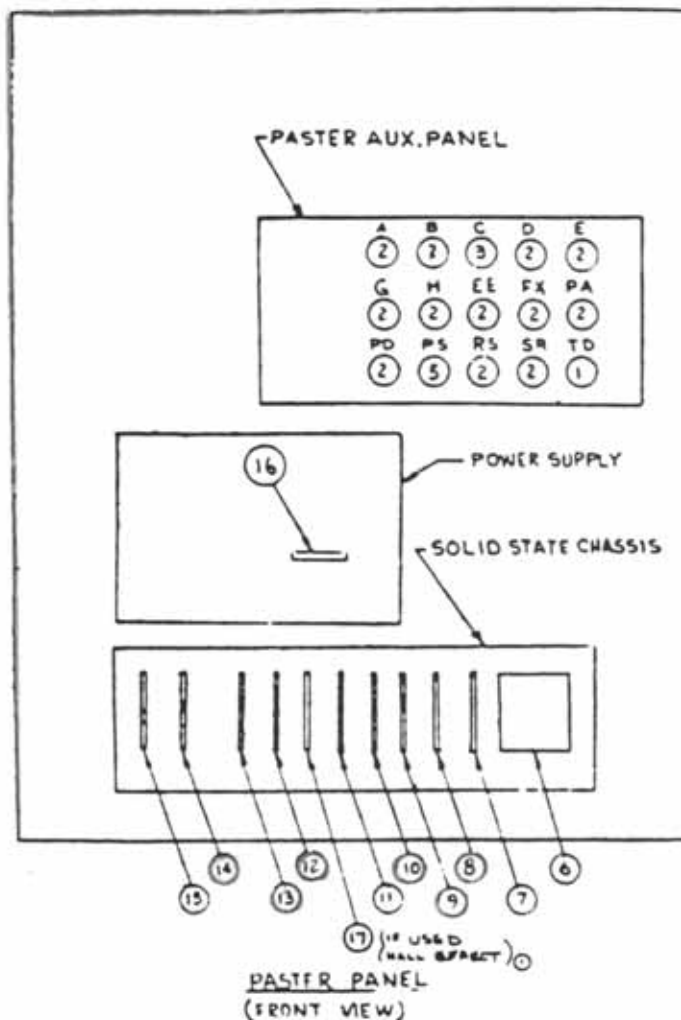
REEL ROOM: PASTER



Y MOUNTED PASTER PANEL • EXTERNAL COMPONENTS

STOCK NO.	DESCRIPTION	GOSS PART NO.
3045	Bell	B-129564-0001
3208	Push Button (Black)	D-014727-0001
3209	Push Button (Green)	D-014727-0050
3210	Push Button (Gray)	D-014727-0047
3211	Push Button (Extended)(Red)	D-014727-0005
3212	Push Button (Mushroomed)(Red)	D-014727-0008
3213	Contact Block(1NO)	D-014727-0049
3214	Contact Block(1NO-1NC)	D-014727-0014
3215	Contact Block(2NO)	D-014727-0016
3216	Contact Block(2NC)	D-014727-0018
3217	Indicating Lamp	C-075224-0007
3218	Indicating Lamp Lens (Amber)	
3219	Indicating Lamp	D-014727-0041
3220	Indicating Lamp Lens (Amber)	D-014727-0031
3221	Illuminator Selector Switch	D-022582-0053
3222	Lens for #3221	D-022582-0051
3230	Indicator Lamp (Surface Sensing)	D-022582-0052
3231	Lens for #3230	D-022582-0050

REEL ROOM: PASTER



Y MOUNTED PASTER PANEL • INTERNAL COMPONENTS

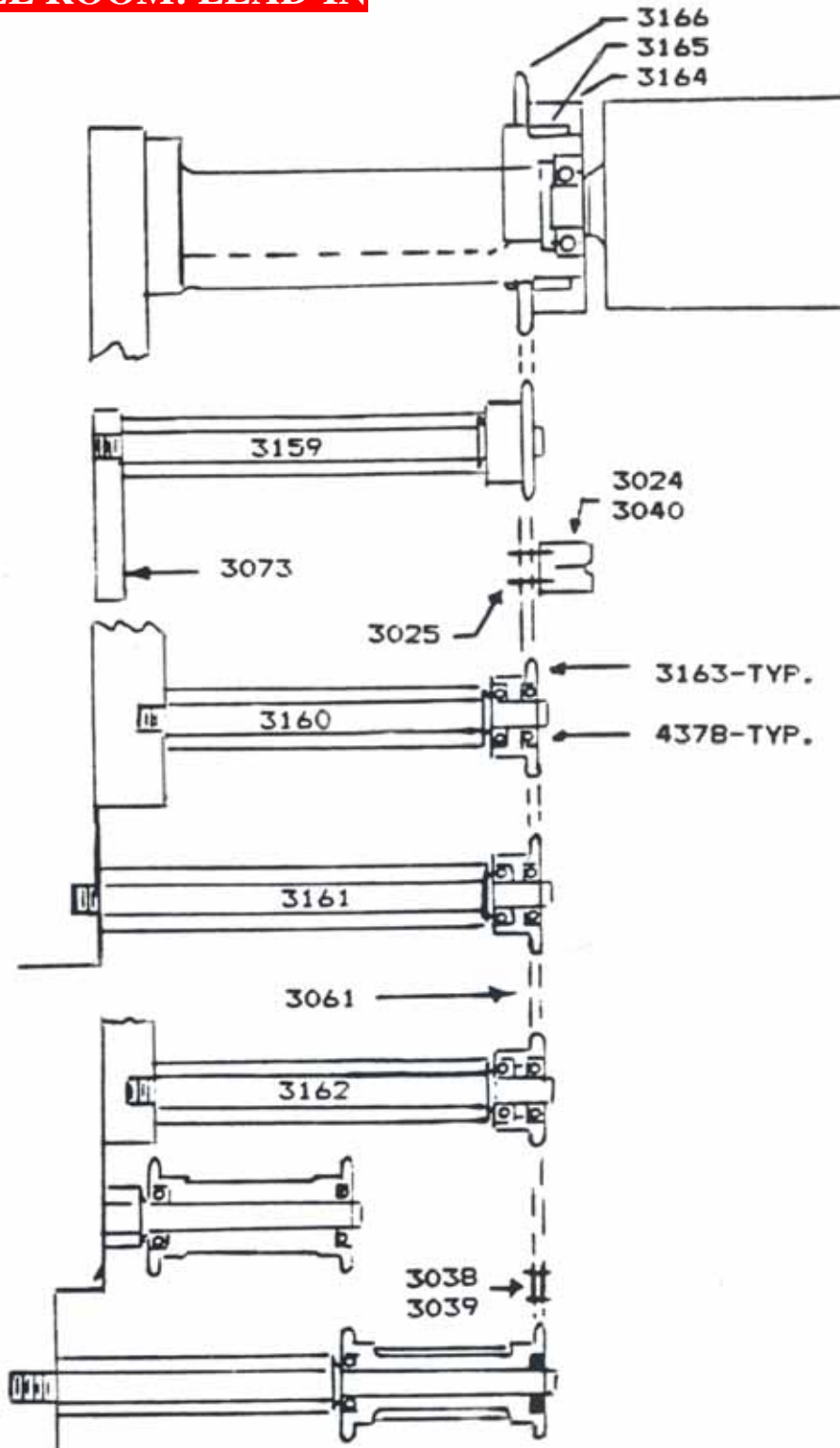
SLOT	STOCK NO.	DESCRIPTION	GOSS PART NO.
1	3195	Relay – Time Delay	C-060911-0002
2	3042	Relay – (KA 4166) or (KA 4876)	C-090746-0002
3	3196	Relay – (KA 4165) or (KA 4875)	C-090746-0001
4	3197	Relay – (KA 4167) or (KA 4877)	C-090746-0003
5	3198	Relay – (Sigma)	
7	3055	#3 Counter Control Board	D-019508-0001
8	3203	#4 & #5 Counter Board	D-019502-0001
10	3204	#6 Coincidence Board	D-019504-0001
11	3056	#7 Output Board	D-019505-0001
12	3023	#9 Driver Board	D-021929-0001
13	3022	#10 Pre-Drive Board	D-021928-0001
14	3020	#12 Surface Sensing Board	D-021927-0001
15	3021	#13 Roll Position Board	D-021926-0001



1-888-434-0888
TOLL FREE

REEL ROOM: NOTES

REEL ROOM: LEAD-IN



WEB LEAD-IN CHAIN ASSEMBLY • BALL BEARING TYPE

www.a-americanpressparts.com

Check our website for updates!



1-888-434-0888
TOLL FREE

REEL ROOM: LEAD-IN

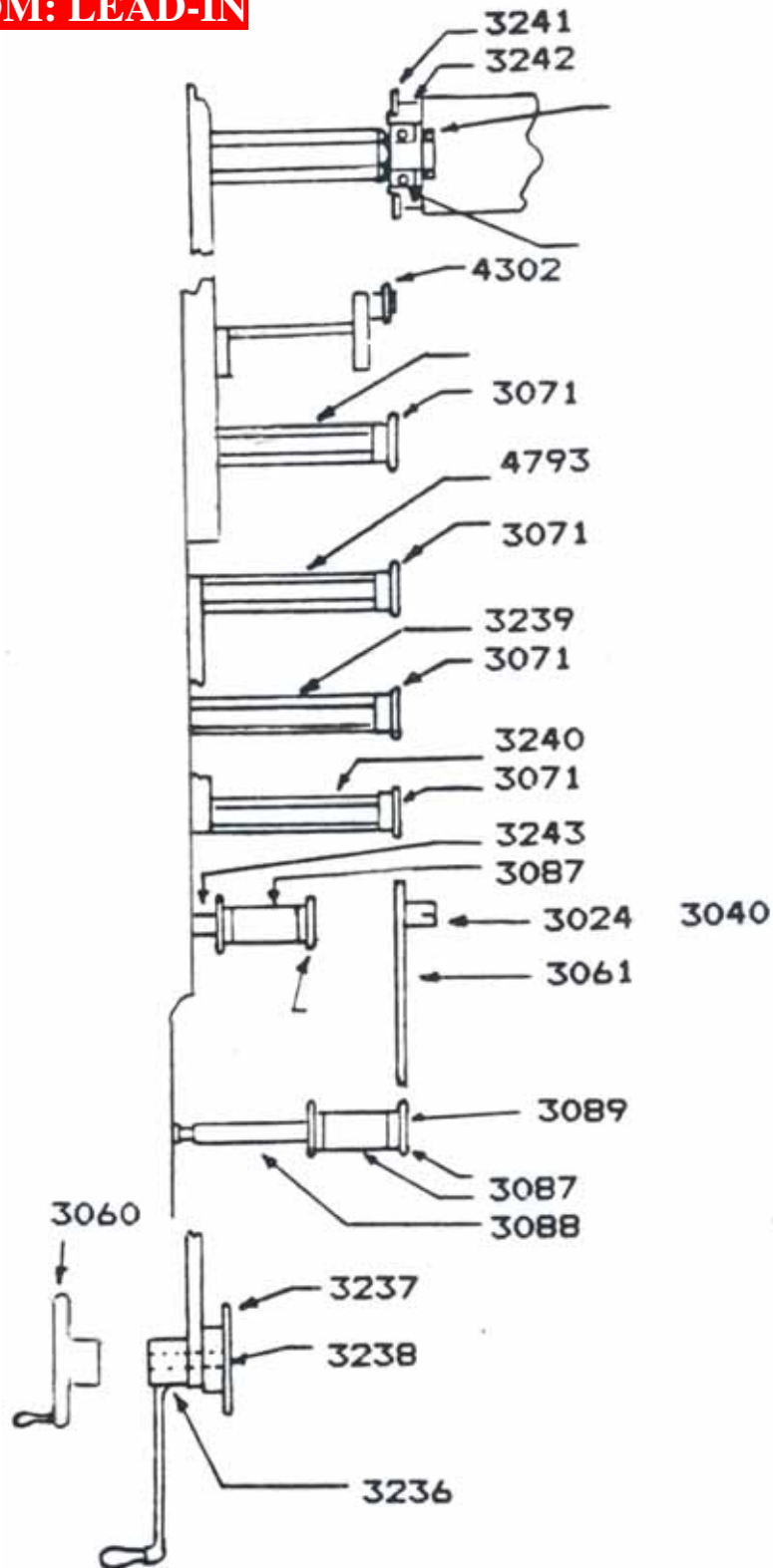
WEB LEAD-IN CHAIN ASSEMBLY • BALL BEARING TYPE

STOCK NO.	DESCRIPTION	GOSS PART NO.
3024	Lead-In Paper Clip (1-1/4" Lg.)	B-082814-0001
3025	Link for Paper Clip (Special)	A-011524-0001
3038	Half Link #41	
3039	Full Link #41	
3040	Lead-In Paper Clip (1")	B-082814-0002
3061	Chain #41	
3073	Bracket	B-106466-0001
3159	Stud	C-102715-0011
3160	Stud	C-102715-0009
3161	Stud	C-102715-0012
3162	Stud	C-102715-0010
3163	Sprocket	B-149735-0001
3164	Hub	C-040093-0001
3165	Needle Bearing	722683-0508
3166	Sprocket	C-040092-0001
4378	Bearing	722605-1066

www.a-americanpressparts.com

Check our website for updates!

REEL ROOM: LEAD-IN



WEB LEAD-IN CHAIN ASSEMBLY • NON BEARING TYPE

www.a-americanpressparts.com

Check our website for updates!



1-888-434-0888
TOLL FREE

REEL ROOM: LEAD-IN

WEB LEAD-IN CHAIN ASSEMBLY • NON BEARING TYPE

STOCK NO.	DESCRIPTION	GOSS PART NO.
3024	Lead-In Paper Clip (1-1/4" Lg.)	B-082814-0001
3025	Link for Paper Clip (Special)	A-011524-0001
3040	Lead-In Paper Clip (1")	B-082814-0002
3060	Handwheel	B-087443-0001
3061	Chain #41	
3070	Stud	C-060429-0042
3071	Sprocket w/ 12 Teeth	B-080749-0001
3072	Stud	C-060429-0038
3087	Double Sprocket	B-079381-0030
3088	Stud for #3087 Sprocket	B-079789-0032
3089	Retaining Ring for #3088 Stud	
3236	Crank	D-148338-0001
3237	Sprocket	B-087444-0001
3238	Shaft	C-040001-0262
3239	Stud	C-060429-0056
3240	Stud	C-050429-0049
3241	Sprocket	B-138633-0001
3242	Hub Support	C-089305-0003
3243	Stud	B-079789-0033
4302	Sprocket w/ 9 Teeth	B-080749-0002
4460	Retainer	C-040164-0050
4793	Stud	C-060429-0052
4794	Stud	C-060429-0018
4795	Stud	C-098754-0030

www.a-americanpressparts.com

Check our website for updates!



1-888-434-0888
TOLL FREE

REEL ROOM: NOTES

REEL ROOM: TOOLS



3026
 3027
 3036



3028



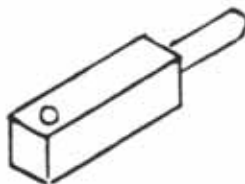
3030



3031



3136



9005



9006



9013

TOOLS & ACCESORIES

STOCK NO.	DESCRIPTION	GOSS PART NO.
3026	Air Gage (0-100 lbs.)	771500-0049
3027	Air Gage (0-160 lbs.)	771500-0053
3028	Glue Pot w. Brush (1qt.)	B-066800-0001
3030	Test Gage Tubing	093820-0048
3031	Test Gage Fitting	846575-3010
3036	Air Gage (0-60 lbs.)	771500-0047
3136	Test Gage Fitting	737800-1005
9005	Floating Gage Fitting	B-096740-0001
9006	Reel Arm Wrench	
9013	Booster Repair Template	

REEL ROOM: TOOLS

WATER SPRAY NOZZLES



SPRAY NOZZLES

STOCK NO.	DESCRIPTION	GOSS PART NO.
9081-000	Water Spray Nozzle – 3/8"	
9081-005	Water Spray Nozzle – 3/8" w/ 5' Hose	
9081-006	Water Spray Nozzle – 3/8" w/ 6' Hose & Hook	
9081-00A	Water Spray Nozzle – 1/4"	
9081-100	Water Spray Nozzle – 3/8" w/ Hook	
9081-620	20' Spray Hose	
9701-000	Glue Applicator Valve	

EXCLUSIVE DISTRIBUTER

Call TODAY!

1-888-434-0888



1-888-434-0888
TOLL FREE

REEL ROOM: NOTES



1-888-434-0888
TOLL FREE

FOLDER 3:2

Table of Contents

Title:	Page
CROSS ASSOCIATION SYSTEM	
Cross Association • 3:2	<u>3</u>
Cross Association Gearing • 3:2	<u>4</u>
CUTTING CYLINDER	
Cutting Cylinder Assembly • 3:2	<u>5</u>
Knife Assembly • Imperial 3:2 • Coil Spring	<u>6</u>
Knife Assembly • 3:2 • Leaf Spring (Old Style)	<u>7</u>
Knife Assembly	<u>9</u>
Cheekwoods	<u>10</u>
Cheekwoods • Leaf Spring (Old Style)	<u>11</u>
Cutting Knives	<u>12</u>
Counter	<u>13</u>
DELIVERY SYSTEM	
Delivery Fly Assembly	<u>14</u>
FOLDING CYLINDER	
Two Piece Pin Post	<u>15</u>
Folder Cylinder Assembly	<u>16</u>
Pin Shaft Assembly	<u>17</u>
Folding Pins	<u>18</u>
Folding Pin Holders	<u>19</u>
Pin Post	<u>20</u>
Cam Followers	<u>21</u>
Folding Blade Shaft Assembly • Silencing & Non-Silencing	<u>22</u>
Folding Cylinder Blades	<u>23</u>
Manual Pin & Lapp System	<u>24</u>
Motorized Pin & Lapp System	<u>25</u>
Spider Wrench Assembly	<u>26</u>
LUBRICATION SYSTEM	
Cam Lubrication System	<u>27</u>
Main Drive Box	<u>28</u>
NIPPING SYSTEM	
Nipping Roller Assy. • Manual Nips	<u>30</u>
Electrical Nipping System	<u>31</u>
Nipping Rings	<u>32</u>
Nip Drive Gears & Shafts	<u>33</u>



1-888-434-0888
TOLL FREE

PNEUMATIC SYSTEM

Pneumatic Folder Clutch	<u>34</u>
Pneumatic Safety System	<u>35</u>

ROLLER TOP OF FORMER

RTF Assembly	<u>36</u>
--------------	-----------

SLITTER SYSTEM

Slitter Shaft & Drive • With Pneumatic Trolley	<u>37</u>
Manual Skip Slitter	<u>38</u>
Pneumatic Skip Slitter	<u>39</u>
Folder Slitters	<u>40</u>

TROLLEY SYSTEM

RTF Manual Trolley	<u>41</u>
Pneumatic Trolley Assembly	<u>42</u>
Trolleys	<u>43</u>

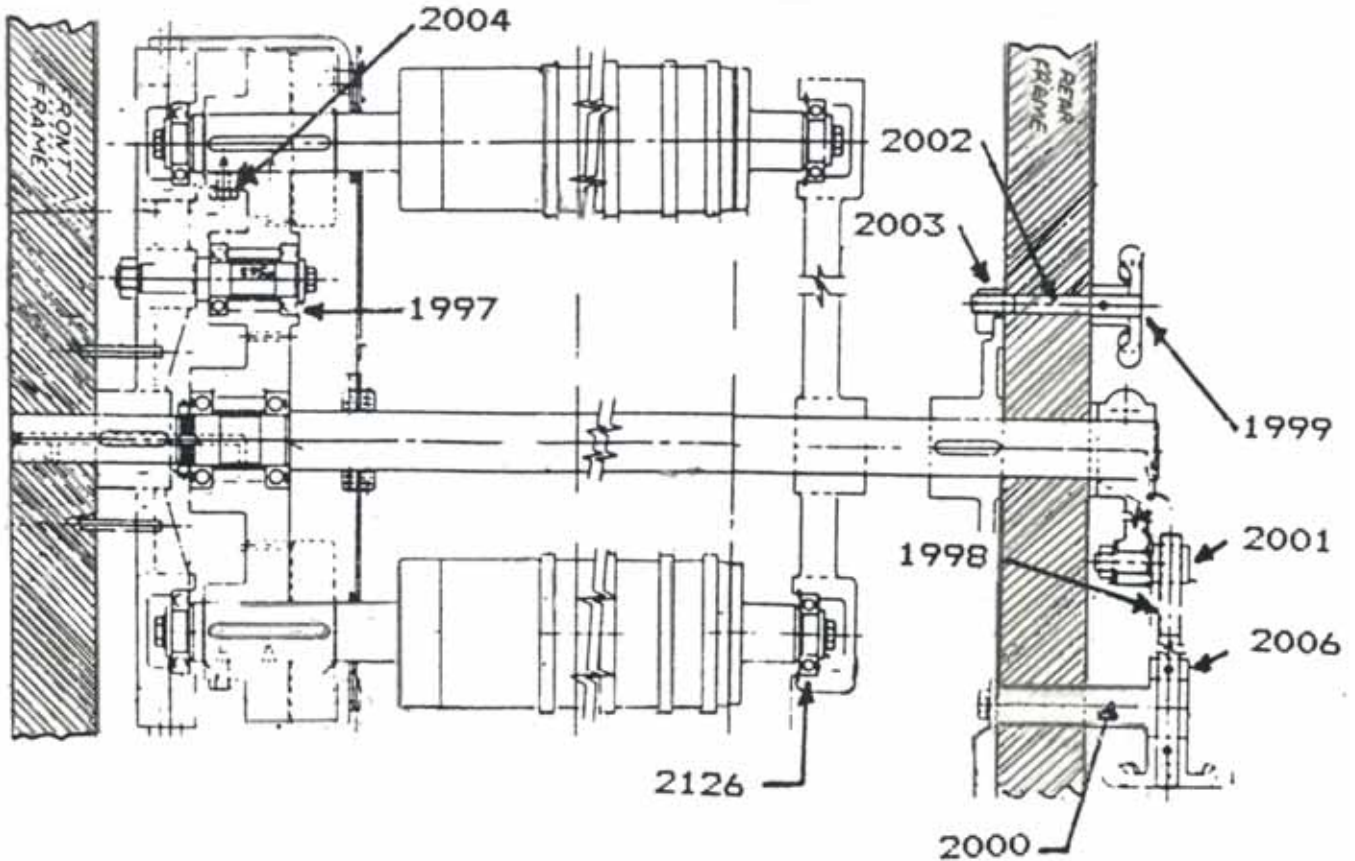
ELECTRICAL SYSTEM

Tachometer & Generator	<u>44</u>
Miscellaneous Electrical	<u>45</u>
Tetco Recorder Gearing Assembly	<u>46</u>
Folder Console • Upright Type (New Style)	<u>48</u>

TOOLS

Folder Tools	<u>50</u>
--------------	-----------

FOLDER: CROSS ASSOCIATION SYSTEM



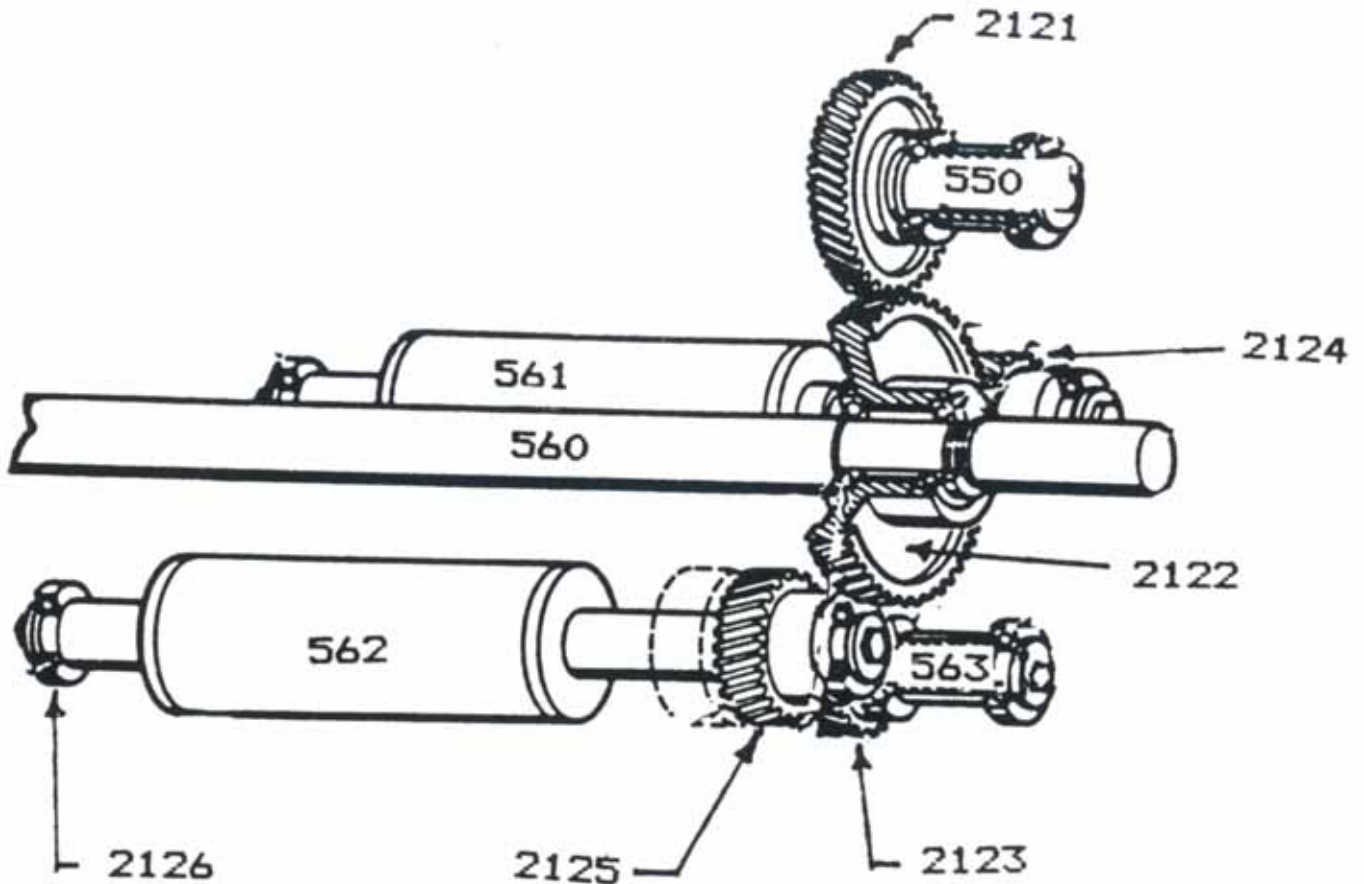
CROSS ASSOCIATION • 3:2

STOCK NO.	DESCRIPTION	GOSS PART NO.
1997	Bearing	C-040102-6209
1998	Adjusting Shaft	B-107321-003
1999	Handwheel	B-033155-0000
2000	Poppet	B-033167-0000
2001	Poppet	AR-003426-0001
2002	Lock Shaft	AR-002845-0001
2003	Lock	AR-002844-0001
2004	Lock Screw	AR-001447-0001
2006	Collar	AR-003485-0001
2126	Bearing	722605-0565

www.a-americanpressparts.com

Check our website for updates!

FOLDER: CROSS ASSOCIATION SYSTEM



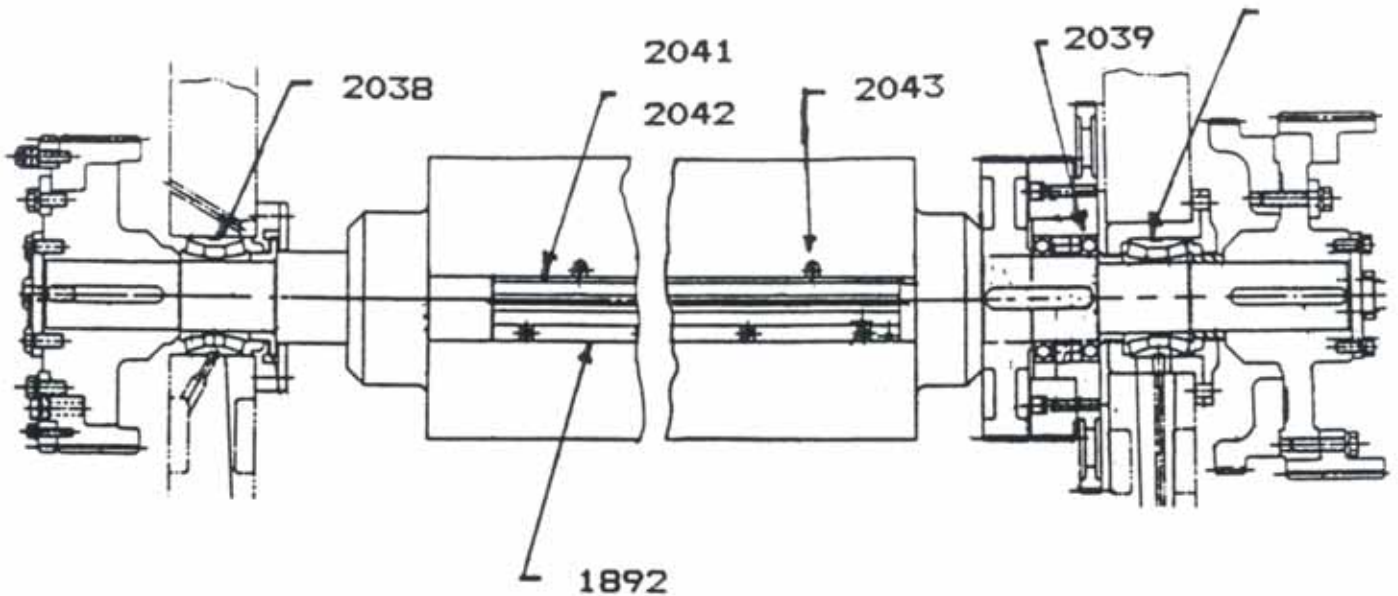
CROSS ASSOCIATION GEARING • 3:2

STOCK NO.	DESCRIPTION	GOSS PART NO.
2121	Gear - CTR 550	C-074951-0001
2122	Gear - CTR 560	C-079954-0001
2123	Gear - CTR 563	C-072596-0001
2124	Gear - CTR 561	B-100309-0000
2125	Gear - CTR 562	B-103385-0000
2126	Bearing	722605-0565

www.a-americanpressparts.com

Check our website for updates!

FOLDER: CUTTING CYLINDER



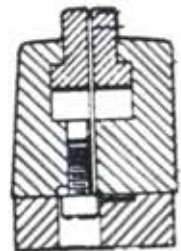
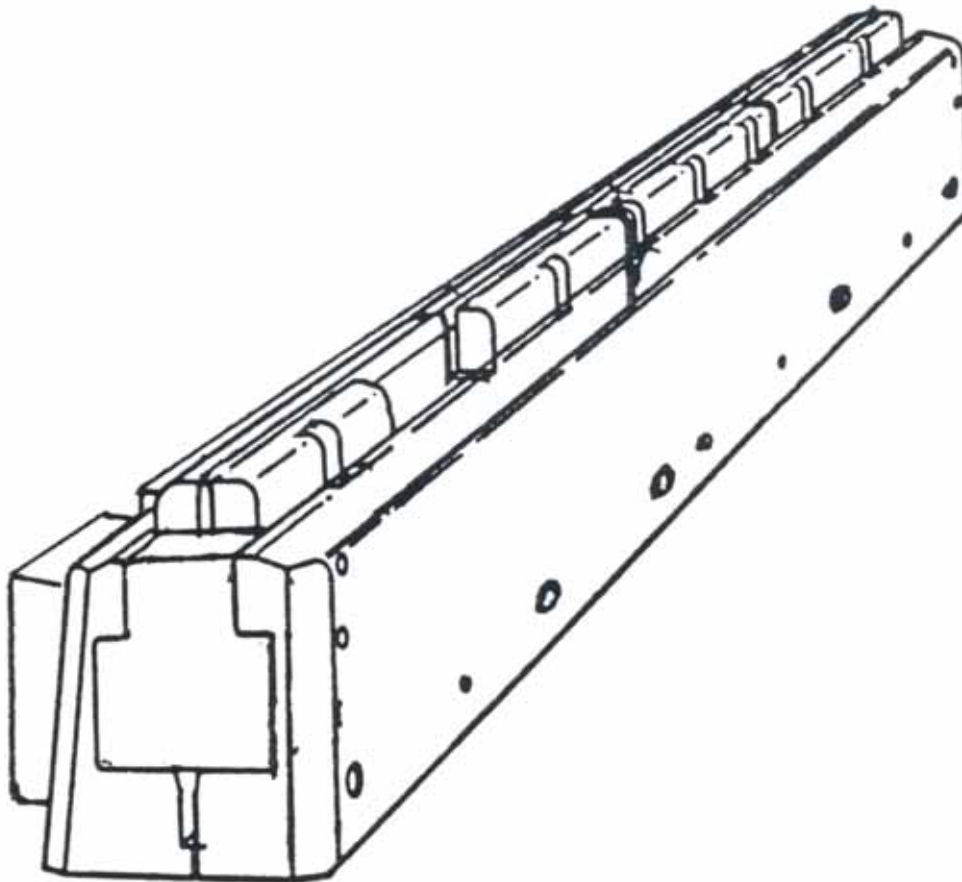
CUTTING CYLINDER ASSEMBLY • 3:2 FOLDER

STOCK NO.	DESCRIPTION	GOSS PART NO.
1892	Wedge Bar	C-083846-0001
2038	Bearing	722673-1152
2039	Bearing	722605-0237
2041	Offset Strip	C-083847-0001
2042	Offset Strip	C-049149-0002
2043	Square Washer	B-093415-0001

www.a-americanpressparts.com

Check our website for updates!

FOLDER: CUTTING CYLINDER



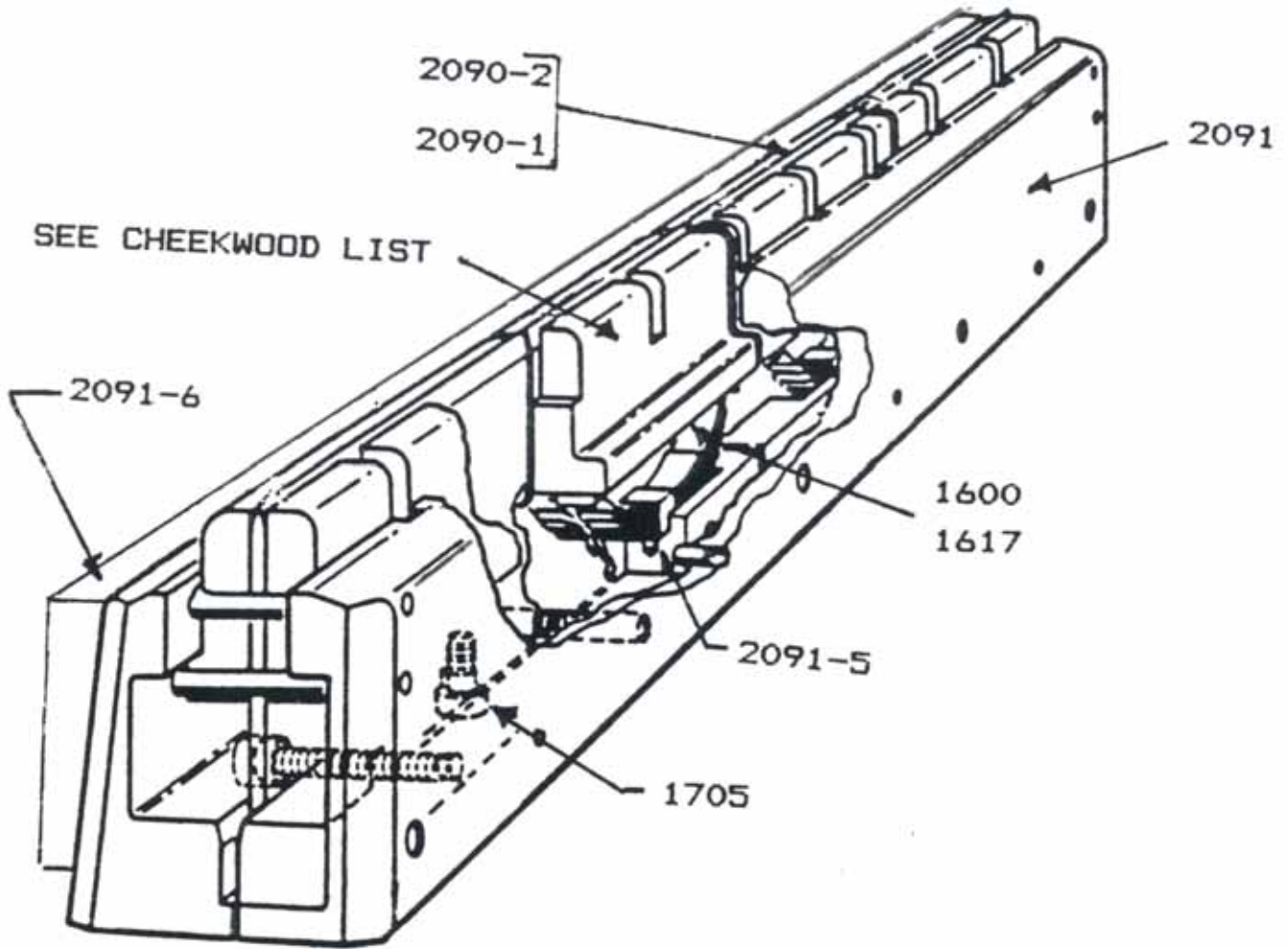
KNIFE ASSEMBLY • IMPERIAL 3:2

STOCK NO.	DESCRIPTION	GOSS PART NO.
1656	Knife Box Assembly - 60" Web	
1657	Lower Wear Strip	B-128356-0001
1661	Upper Wear Strip	B-128357-0001
1891	End Plate	B-142424-0001
1705	Knife Adjusting Screw	AR-002213-0001
1750	Knife - 4-1/4"	B-128396-0001
1796	Knife - 5-1/4"	B-135235-0001
1881	Spring	B-122102-0001
1892	Wedge	C-083846-0001

www.a-americanpressparts.com

Check our website for updates!

FOLDER: CUTTING CYLINDER



KNIFE ASSEMBLY • 3:2 (OLD STYLE – LEAF SPRING)

STOCK NO.	DESCRIPTION	GOSS PART NO.
1600	Spring - 9 Leaf	B-097242-0001
1617	Spring - 17 Leaf	C-082630-0001
1705	Adjusting Screw	AR-002213-0001
2090-1	Knife - 4-1/4"	B-092343-0001
2090-2	Knife - 5-1/4"	B-098821-0001
2091	Knife Assembly - 60" Web	
2091-5	Knife Holder	B-090416-0001
2091-6	Wedge Bar	C-049148-0001

www.a-americanpressparts.com

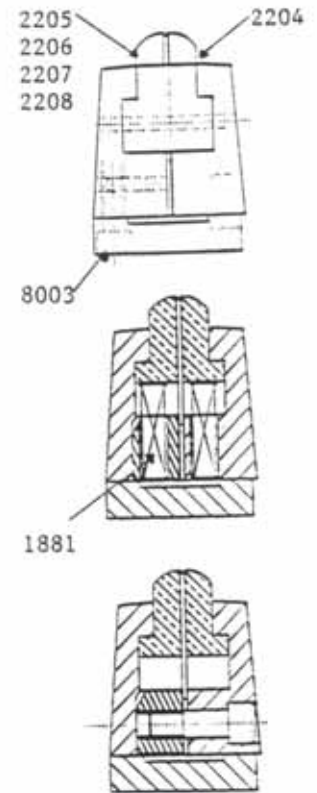
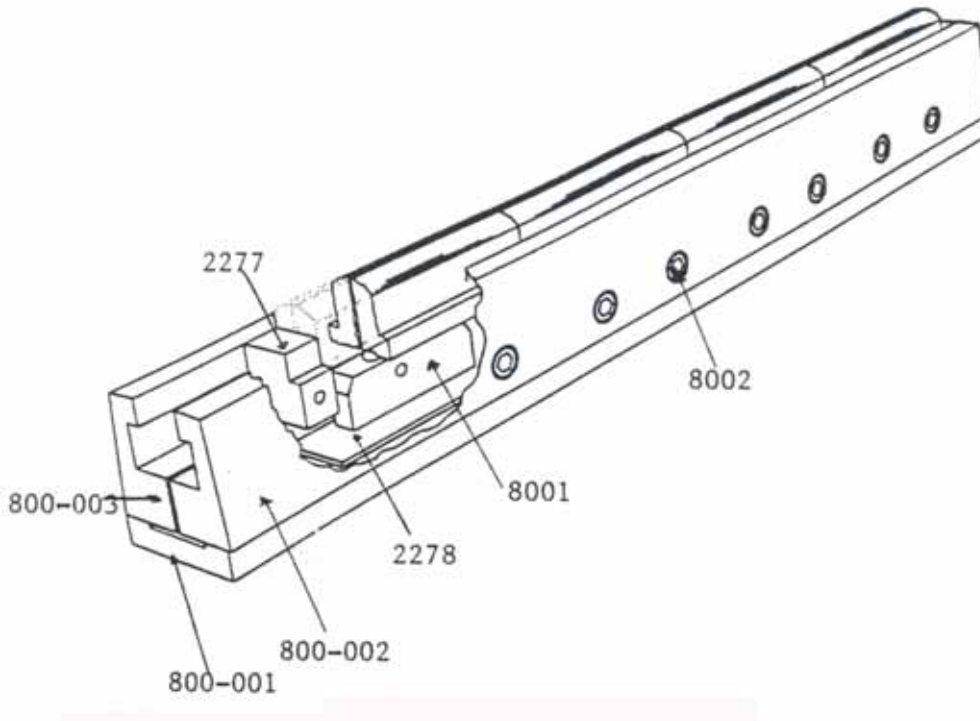
Check our website for updates!



1-888-434-0888
TOLL FREE

FOLDER: NOTES

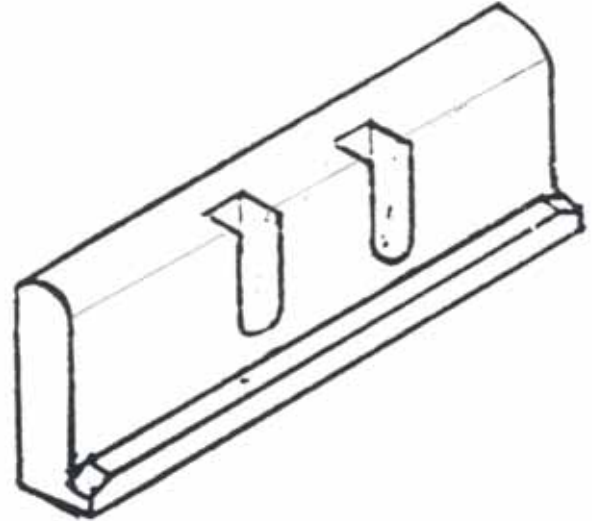
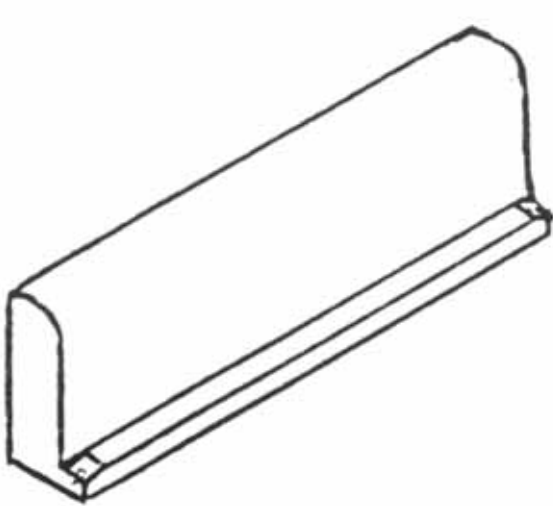
FOLDER: KNIFE BOX ASSEMBLY



KNIFE BOX ASSEMBLY IMPERIAL • 3:2 (160 PAGES)

STOCK NO.	DESCRIPTION	GOSS PART NO.
8000-000	Knife Box Assembly	E-010518-0001
8000-001	Knife Box Base (1)	E-010956-0001
8000-002	Wedge Side (1)	E-010954-0030
8000-003	Straight Side (1)	E-010954-0013
2278-000	Lower Wear Strip (1)	C-111725-0001
2243-000	Upper Wear Strip (1)	B-153822-0001
2243-004	Upper Wear Strip (1)	B-153822-0004
2277-000	End Plate (2)	B-153819-0001
8001-000	Knife Holder Assy (4)	C-111726-0001
8002-000	SHCS (13)	
8003-000	SHCS (6)	
1705-001	Knife Adjusting Screws (8)	
1881-000	Spring (32)	B-122102-0001
2204-000	Plain Side Cushion (4)	C-111548-0001
2205-000	Pin Side Cushion (1)	C-111719-0001
2206-000	Pin Side Cushion (1)	C-111720-0001
2207-000	Pin Side Cushion (1)	C-111721-0000
2208-	Pin Side Cushion (1)	Varies with W/W

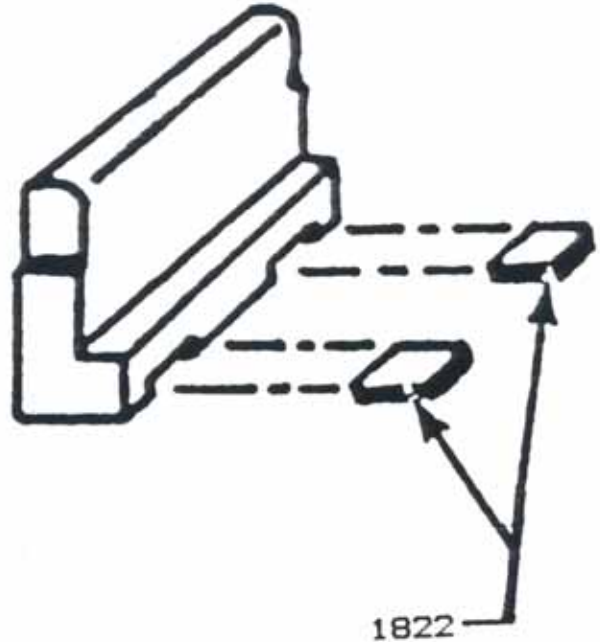
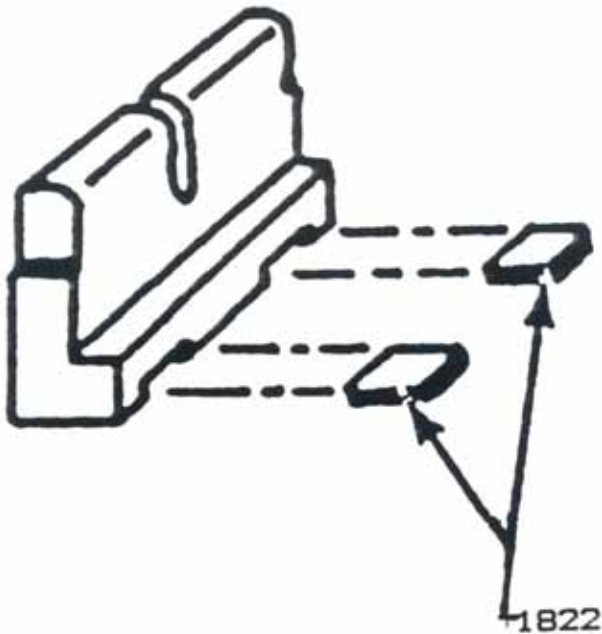
FOLDER: CUTTING CYLINDER



CHEEKWOODS • IMPERIAL 3:2

STOCK NO.	DESCRIPTION	GOSS PART NO.
1545	Plain Cheekwood (4-1/4)	B-128375-0001
1626	Plain Cheekwood (5-1/4)	B-135236-0001
1641	Slotted Cheekwood	B-128371-0001
1620	Slotted Cheekwood	B-128372-0001
1642	Slotted Cheekwood	B-128373-0001
1885	Slotted Cheekwood	B-135237-0001
1883	Slotted Cheekwood	B-135238-0000
1886	Slotted Cheekwood	B-135239-0000
1887	Slotted Cheekwood	B-135240-0000
1888	Slotted Cheekwood	B-135241-0000
1889	Slotted Cheekwood	B-135242-0000
1890	Slotted Cheekwood	B-135243-0000
1621	Slotted Cheekwood	B-146786-0001
1622	Slotted Cheekwood	B-146786-0003
1882	Slotted Cheekwood	B-146786-0004
1599	Slotted Cheekwood	B-146786-0005
1884	Slotted Cheekwood	B-146786-0006

FOLDER: CUTTING CYLINDER



CHEEKWOODS • (OLD STYLE – LEAF SPRING) 3:2

STOCK NO.	DESCRIPTION	GOSS PART NO.
1737-1	Plain Cheekwood - 4-1/4" lg.	B-111257-0003
1737-2	Plain Cheekwood - 5-1/4" lg.	B-111264-0003
1737-3	Slotted Cheekwood - 4-1/4" lg.	B-113790-0001
1737-4	Slotted Cheekwood - 4-1/4" lg.	B-113791-0001
1737-5	Slotted Cheekwood - 4-1/4" lg.	B-113792-0001
1737-6	Slotted Cheekwood - 4-1/4" lg.	B-113793-0001
1737-7	Slotted Cheekwood - 5-1/4" lg.	B-115948-0001
1737-8	Slotted Cheekwood - 5-1/4" lg.	B-115947-0001
1822	Plastic Insert	

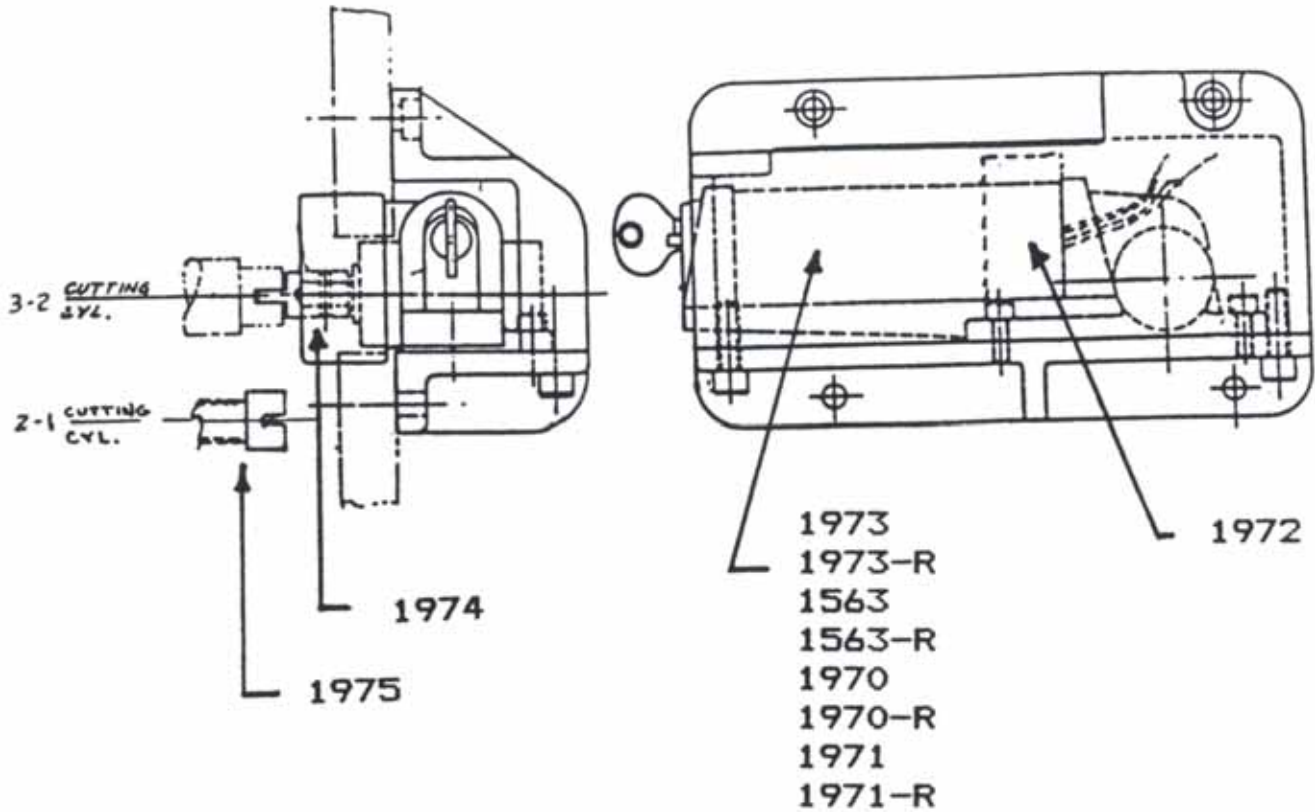
FOLDER: CUTTING CYLINDER



FOLDER CUTTING KNIVES

STOCK NO.	DESCRIPTION	GOSS PART NO.
1795	Knife - Chromed Hardened Steel	B-097597-0001
1742	Knife - Chromed Hardened Steel	B-0104419-0001
1742-1PC	1-Pc Knife - Chromed Hardened Steel	
1745	Knife - Chromed Hardened Steel	B-104650-0001
1745-1PC	1-Pc Knife - Chromed Hardened Steel	
1745-1PS	1-Pc Knife - Chromed Hardened Steel (Straight Tooth)	
1746	Knife - Chromed Hardened Steel	B-104651-0001
1747	Knife - Chromed Hardened Steel	B-104652-0001
1748	Knife - Chromed Hardened Steel	B-104653-0001
1749	Knife - Chromed Hardened Steel	B-108955-0001
1750	Knife - Chromed Hardened Steel	B-128396-0001
1750-1PC	1-Pc Knife - Chromed Hardened Steel	
1750-1PT	1-Pc Knife - Chromed Hardened Steel (Tin Coated)	
1750-STR	1-Pc Knife - Chromed Hardened Steel (Straight Tooth)	
1751	Knife - Chromed Hardened Steel	B-128627-0001
1751-00T	Knife - Chromed Hardened Steel (Tin Coated)	
1751-1PC	1-Pc Knife - Chromed Hardened Steel	
1751-1PT	1-Pc Knife - Chromed Hardened Steel (Tin Coated)	
1751-1PF	1-Pc Knife - Chromed Hardened Steel (Fine Toothed)	
1796	Knife - Chromed Hardened Steel	B-135235-0001
2066	Knife for 160 Page Folder	C-115105-0001
2066-00T	Knife for 160 Page Folder (Tin Coated)	

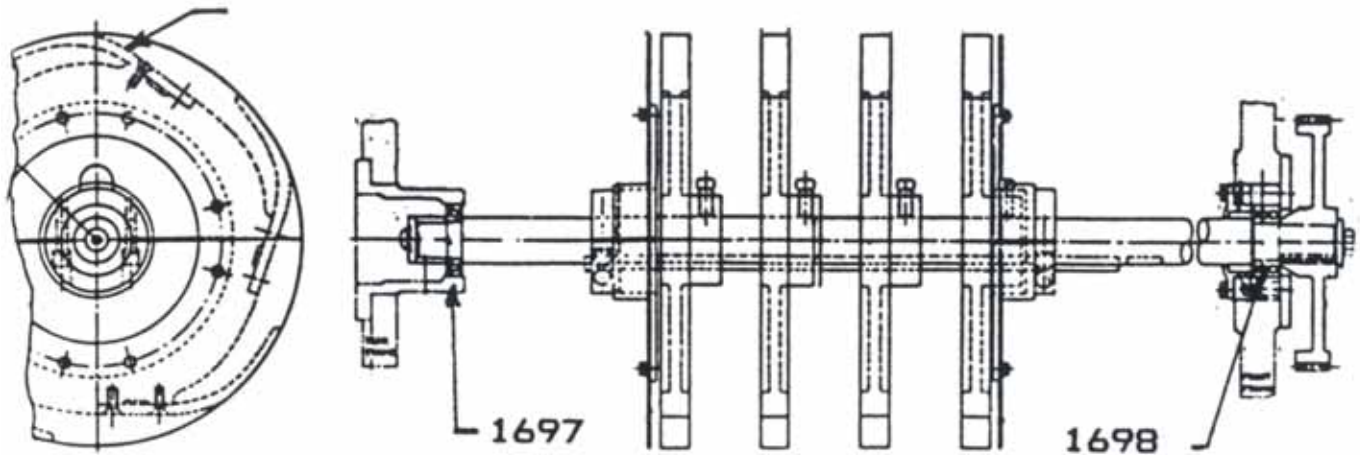
FOLDER: CUTTING CYLINDER



COUNTER • 2:1 & 3:2 FOLDER

STOCK NO.	DESCRIPTION	GOSS PART NO.
1973	3:2 Counter - w/o Relay	D-035410-0001
1973-R	Rebuilt 3:2 Counter - w/o Relay	
1563	3:2 Counter - w/ Relay	
1563-R	Rebuilt 3:2 Counter - w/ Relay	
1970	2:1 Counter - w/o Relay	
1970-R	Rebuilt 2:1 Counter - w/o Relay	
1971	2:1 Counter - w/ Relay	
1971-R	Rebuilt 2:1 Counter - w/ Relay	
1972	Relay	B-124809-0001
1974	Sleeve	
1975	Bolt	

FOLDER: DELIVERY SYSTEM



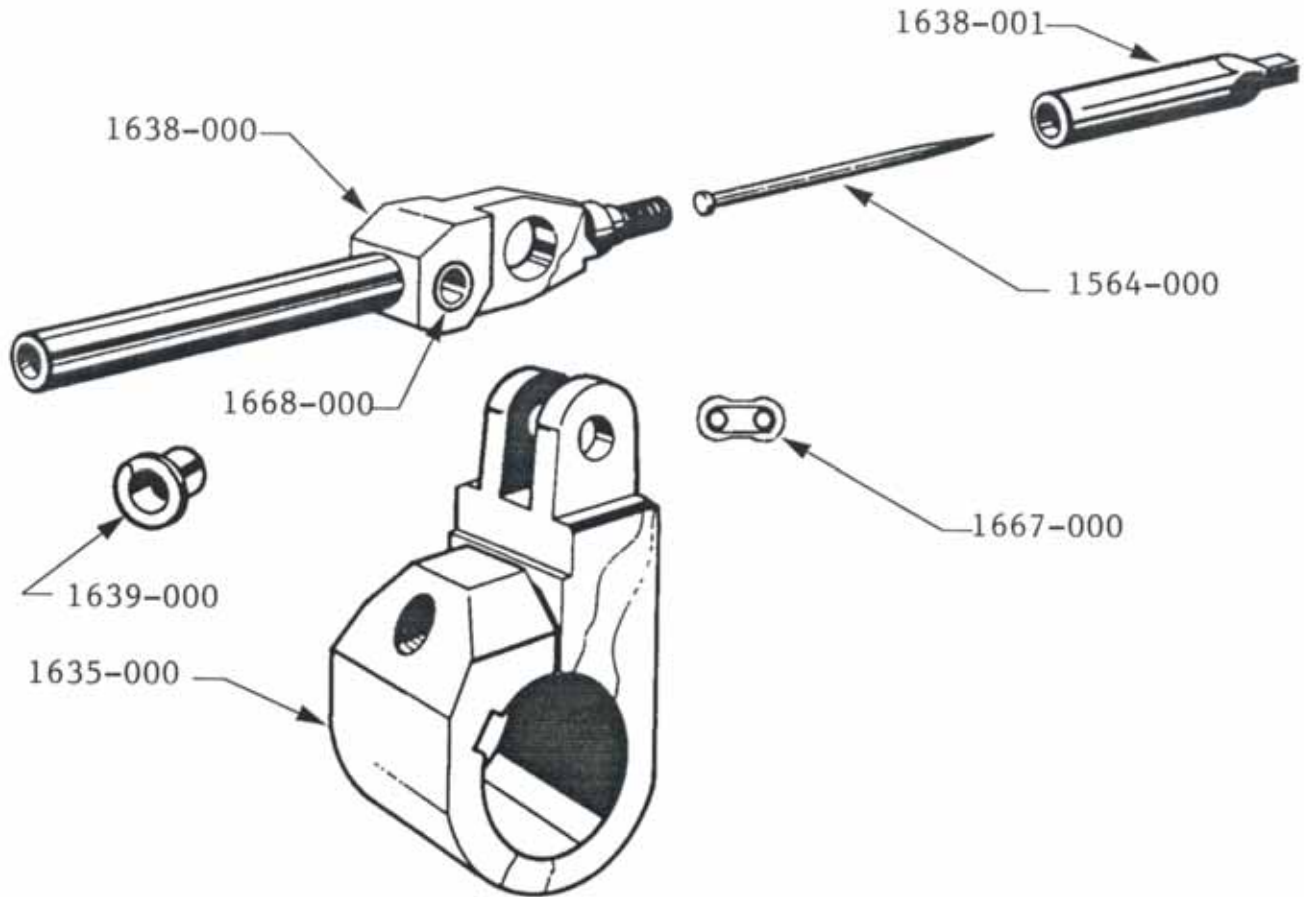
DELIVERY FLY ASSEMBLY • 3:2 FOLDER

STOCK NO.	DESCRIPTION	GOSS PART NO.
1697	Bearing	722605-0567
1698	Bearing	C-040108-5208

www.a-americanpressparts.com

Check our website for updates!

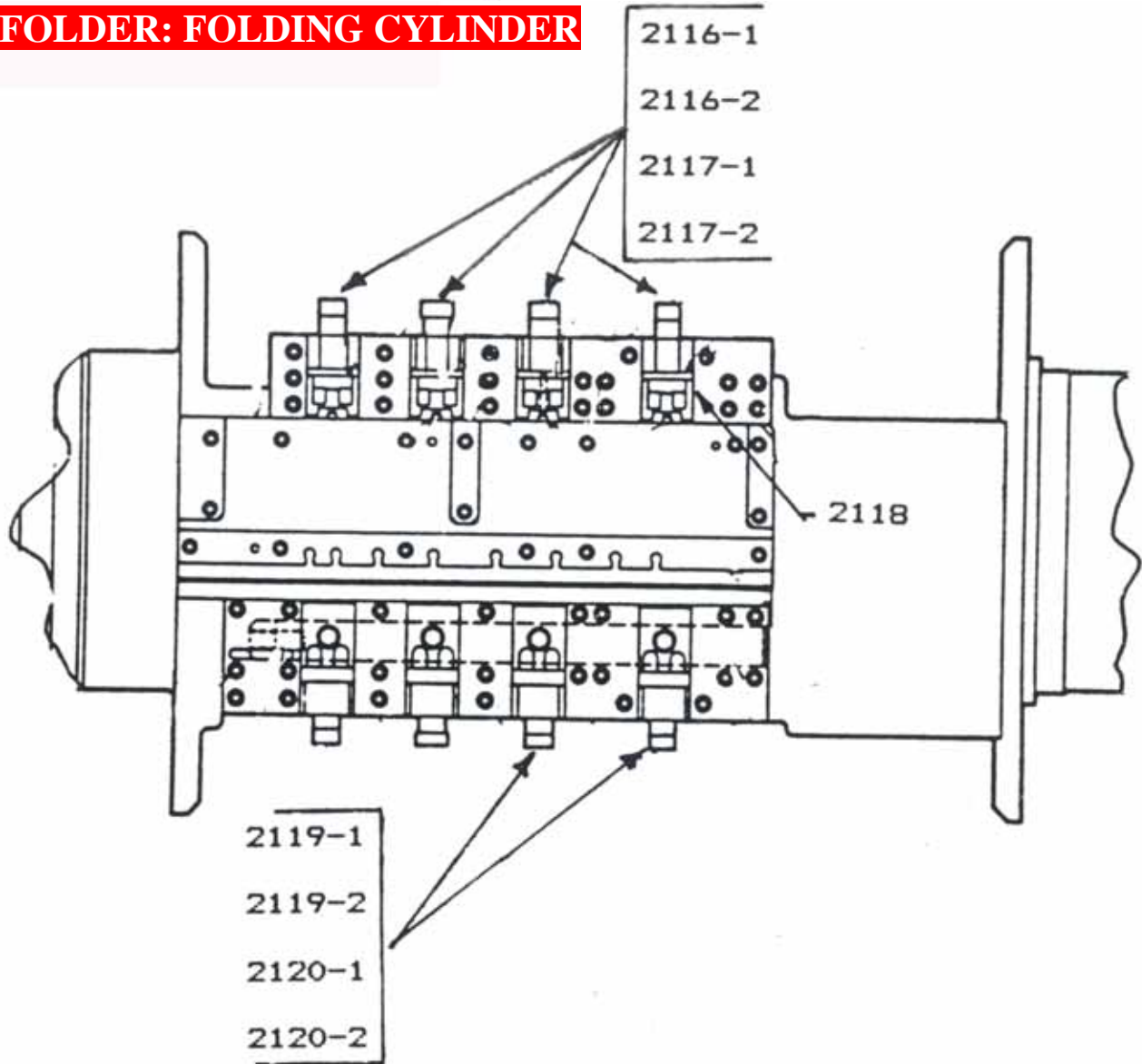
FOLDER: FOLDING CYLINDER



TWO PIECE PIN POST

STOCK NO.	DESCRIPTION	GOSS PART NO.
1638-000	Two Piece Pin Post	
1638-001	Pin Post Tip	
1564-000	Folding Pin	
1635-000	Pin Lever	
1639-000	Pin Post Bushing	
1667-000	Chain Link	
1668-000	Chain Bushing	
9034-000	Torque Wrench	

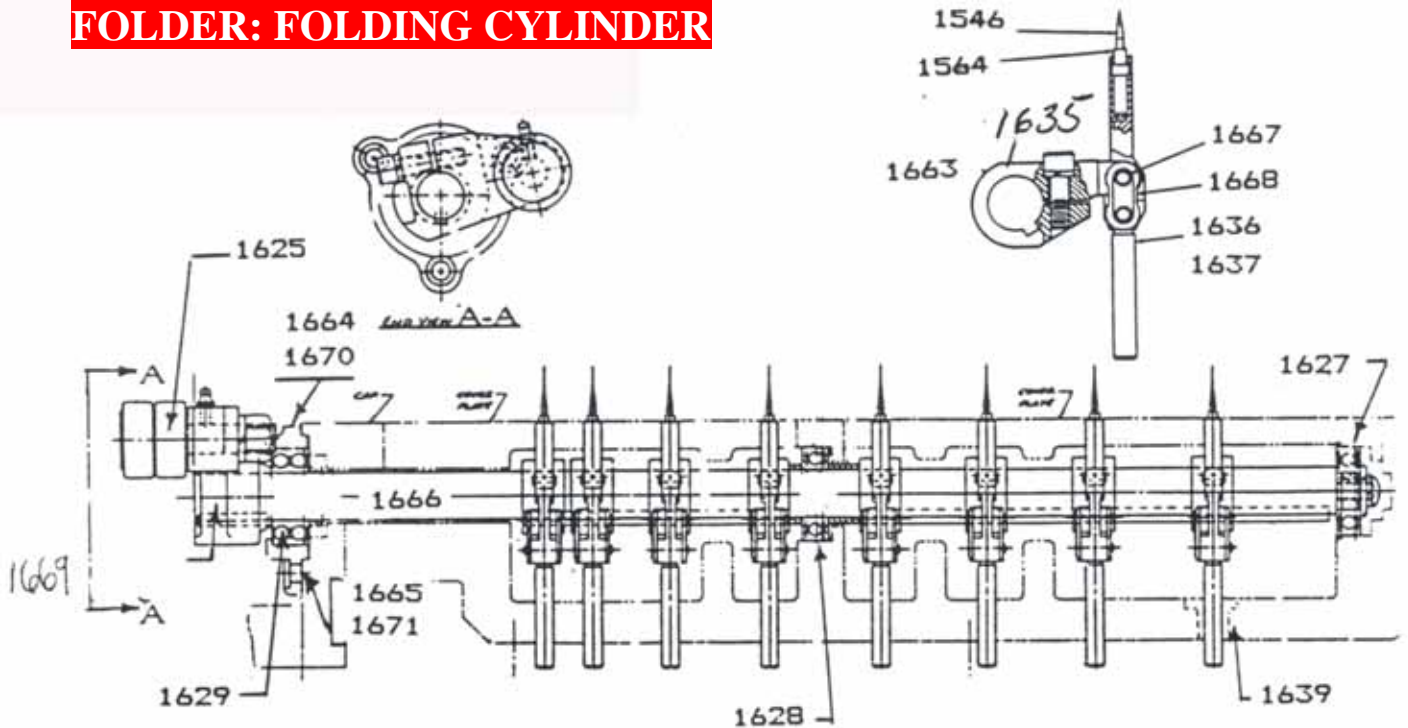
FOLDER: FOLDING CYLINDER



FOLDING CYLINDER ASSEMBLY • 3:2

STOCK NO.	DESCRIPTION	GOSS PART NO.
2116-1	Bands - 13-11/16	C-068361-0001
2116-2	Bands - 13-11/16	C-068362-0001
2117-1	Bands - 14-1/2	C-053441-0001
2117-2	Bands - 14-1/2	C-053442-0001
2118	Stop Spring - Rubber	B-127343-0001
2119-1	Spring - 13-11/16	B-120689-0003
2119-2	Spring - 14-1/2	B-120689-0001
2120-1	Spring - 13-11/16	B-120690-0003
2120-2	Spring - 14-1/2	B-120690-0001

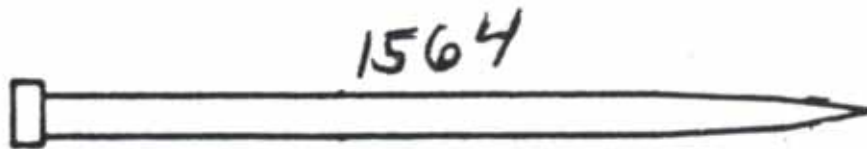
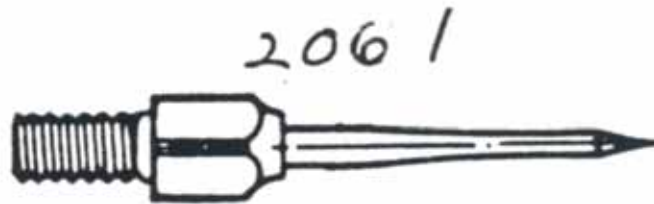
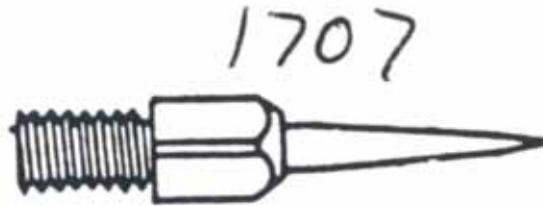
FOLDER: FOLDING CYLINDER



PIN SHAFT ASSEMBLY • IMPERIAL 3:2

STOCK NO.	DESCRIPTION	GOSS PART NO.
1546	Pin Holder	B-111843-0002
1564	Folding Pin	B-111843-0002
1627	Bearing	722605-0104
1628	Bearing	722605-0143
1629	Bearing	722605-0275
1667	Chain Link	825709-0012
1668	Chain Bushing	729400-0065
1625	Cam Roller & Stud	B-148421-0001
1635	Folding Pin Lever	C-048925-0001
1636	Pin Holding Post - 13-11/16 Press	C-066506-0001
1637	Pin Holding Post - 14-1/2 to 15 Press	C-066505-0001
1639	Bushing	B-117512-0001
1663	Pin Shaft Lever - 13-11/16 Press	C-068589-000
1664	Bearing Cup - 13-11/16 Press	B-117297-0000
1665	Shim - 13-11/16 Press	B-117296-0004
1666	Shaft - 13-11/16 Press	C-048923-0001
1669	Pin Shaft Lever - 14-1/2 Press	C-053944-0000
1670	Bearing Cup - 14-1/2 Press	B-090105-0000
1671	Shim - 14-1/2 Press	B-090106-0000

FOLDER: FOLDING CYLINDER



FOLDING PINS • 2:1, 3:2 & REGENT

STOCK NO.	DESCRIPTION	GOSS PART NO.
1564	Folding Pin	B-111844-0001
1707	Collect Pin	A-009563-0002
2061	Folding Pin / Collect Pin	A-011943-0001

FOLDER: PIN HOLDER OR ADAPTER



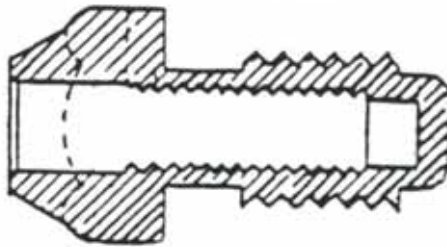
2:1 & 3:2 FOLDERS

STOCK NO.	DESCRIPTION	GOSS PART NO.
1546	Pin Holder	B-111843-0002



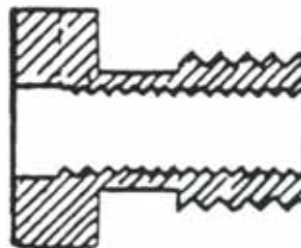
GREENSTREAK 160 PAGE FOLDER

STOCK NO.	DESCRIPTION	GOSS PART NO.
1823	Pin Holder	B-111843-0000



2:1 FOLDER

STOCK NO.	DESCRIPTION	GOSS PART NO.
1601	Pin Adapter	B-103589-0001



REGENT - OLD STYLE 2:1 FOLDER

STOCK NO.	DESCRIPTION	GOSS PART NO.
2061	Pin Adapter	AR-002177-0001

FOLDER: PIN POST



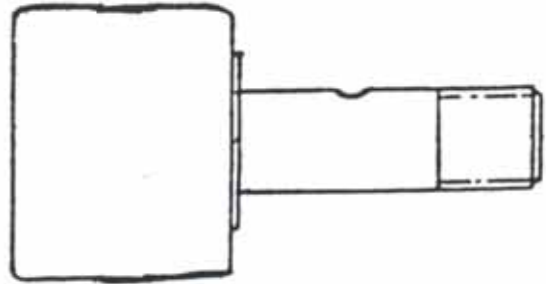
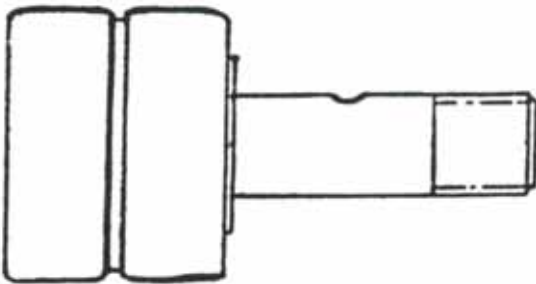
PIN POST

STOCK NO.	DESCRIPTION	GOSS PART NO.
1636	Pin Post	C-066506-0001
1637	Pin Post	C-066505-0001
1708	Pin Post	B-047169-0005
1834-1	Pin Post	B-047169-0008
1834-2	Pin Post	B-047169-0013
1834-3	Pin Post	B-047169-0004
1834-4	Pin Post	B-047169-0014
1834-5	Pin Post	B-047169-0016
1879	Pin Post	B-047169-0006



1-888-434-0888
TOLL FREE

FOLDER: CAM FOLLOWERS



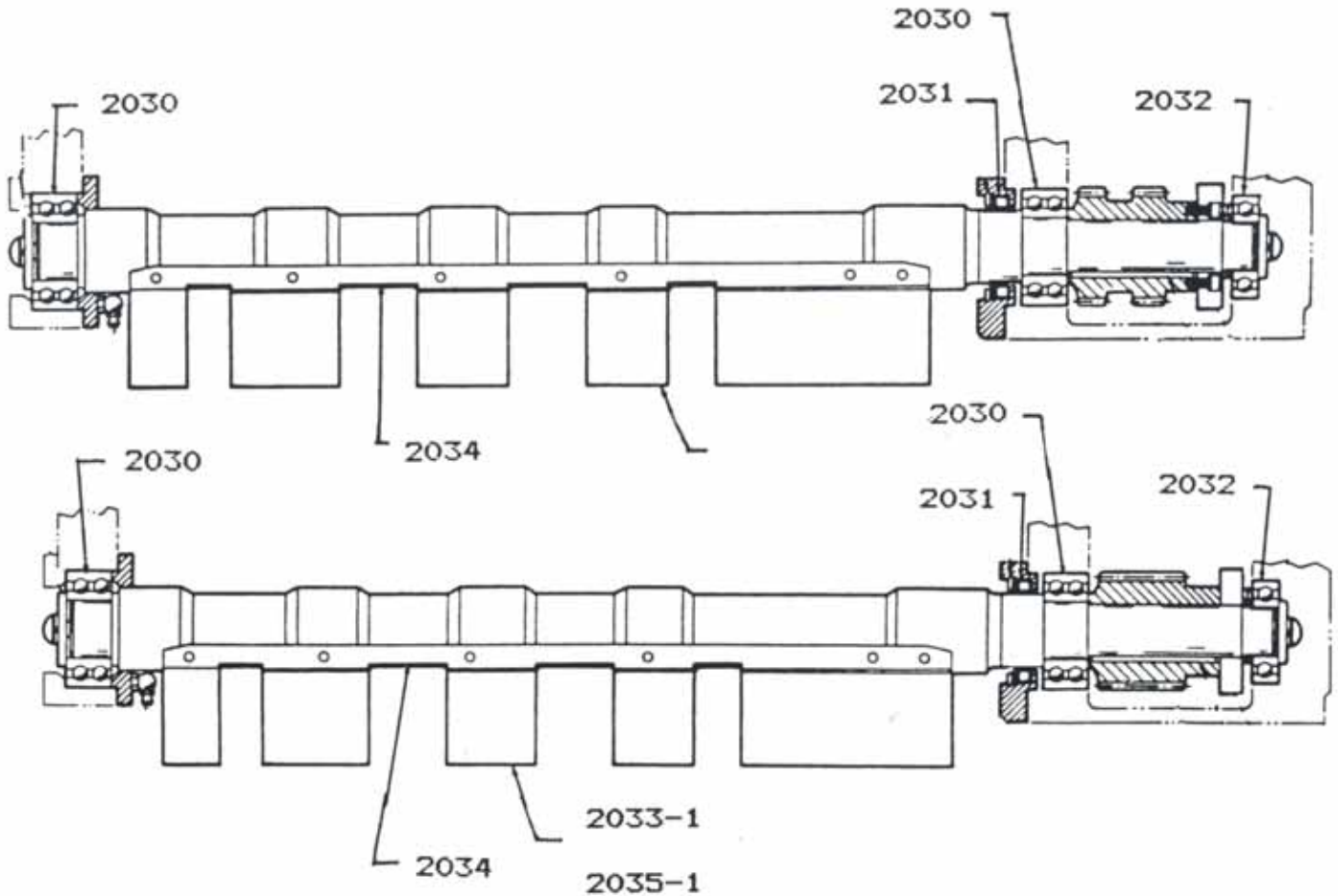
CAM FOLLOWERS • 2:1, 3:2 & REGENT

STOCK NO.	DESCRIPTION	GOSS PART NO.
1625	Cam Roller & Stud (nova chromed)	B-148421-0001
1625-1	Cam Roller & Stud	B-148421-0002
1715	Cam Roller & Stud	B-121705-0002

www.a-americanpressparts.com

Check our website for updates!

FOLDER: FOLDING CYLINDER



FOLDING BLADE SHAFT ASSEMBLY – SILENCING & NON-SILENCING • 3:2

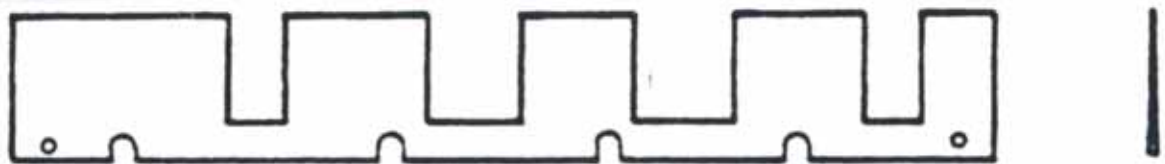
STOCK NO.	DESCRIPTION	GOSS PART NO.
2030	Bearing	C-040103-5207
2031	Seal	891500-1005
2032	Bearing	C-040100-6206
2033-1	Folding Blade (Tear Drop)	D-021554-0000
2034	Clamping Strip	B-117942-0000
2035	Folding Blade (Flat)	

FOLDER: FOLDING CYLINDER



PROFILE FOLDING BLADE • 3:2

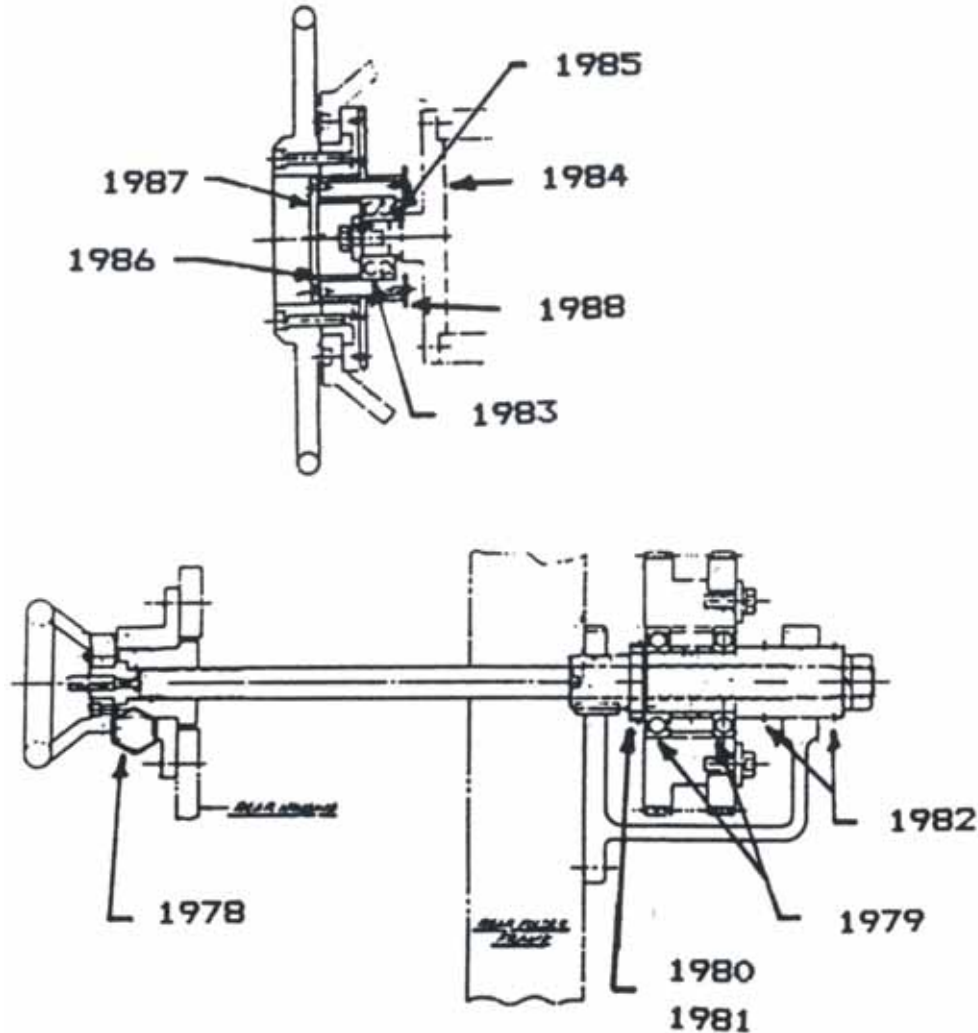
STOCK NO.	DESCRIPTION	GOSS PART NO.
1820-1	Folding Blade	D-021705-0005
1820-2	Folding Blade	D-021705-0007
1820-3	Folding Blade	D-021705-0008
1821	Folding Blade	D-035694-0001
2033-1	Folding Blade	D-021705-0001
2033-2	Folding Blade	D-021704-0003
2033-3	Folding Blade	D-021704-0005
2033-4	Folding Blade	D-021704-0007
2033-5	Folding Blade	D-021704-0009
2033-6	Folding Blade	D-021704-0013
2033-7	Folding Blade	D-021704-0022
2033-8	Folding Blade	D-021704-0100
2033-9	Folding Blade	D-021704-



FOLDING BLADE • FLAT TYPE • 2:1 & 3:2

STOCK NO.	DESCRIPTION	GOSS PART NO.
1810	Folding Blade	C-045369-0013
1811	Folding Blade	C-045369-0015
1812	Folding Blade	C-045369-0005
1812-1	Folding Blade	C-045369-0003
2025-1	Folding Blade	C-053457-0022
2025-2	Folding Blade	C-063113-0001
2096-1	Folding Blade	C-034980-0000
2096-2	Folding Blade	C-034981-0000
2096-3	Folding Blade	C-038826-0000
2096-4	Folding Blade	C-039384-0000
2096-5	Folding Blade	C-045376-0000
2096-6	Folding Blade	C-054631-0002
2096-7	Folding Blade	C-060898-0001
2096-8	Folding Blade	C-021554-0007
2096-9	Folding Blade	D-037764-0001

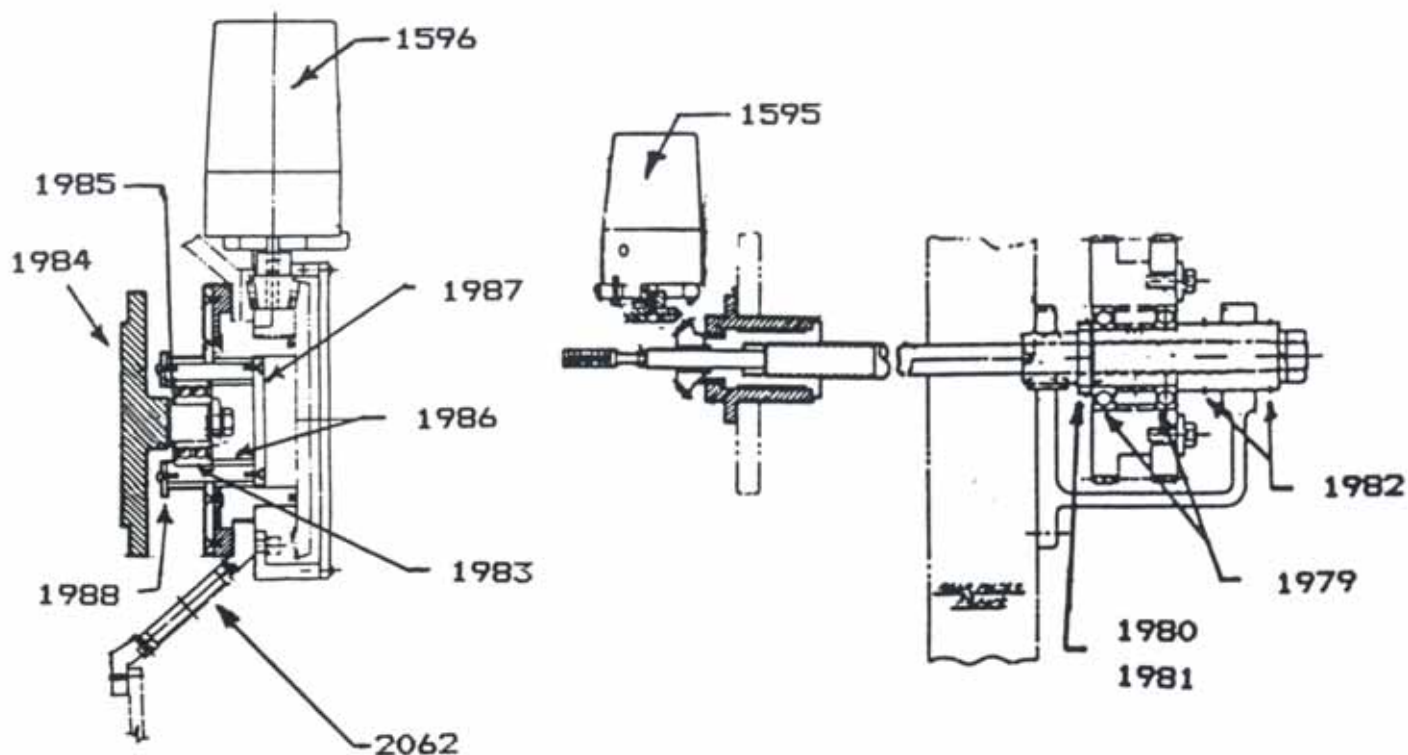
FOLDER: FOLDING CYLINDER



MANUAL PIN & LAPP SYSTEM • 3:2 FOLDER

STOCK NO.	DESCRIPTION	GOSS PART NO.
1978	Locking Screw	B-128111-0001
1979	Bearing	C-040104-6211
1980	Lock Nut	C-040123-0110
1981	Lock Washer	C-040124-0110
1982	Retaining Ring	885470-2027
1983	Bearing	722605-0286
1984	Spindle	C-080515-0000
1985	Spacer	C-040065-2502
1986	Spacer	C-040066-2433
1987	Plate	B-131314-0001
1988	Plate Stop	B-131313-0001

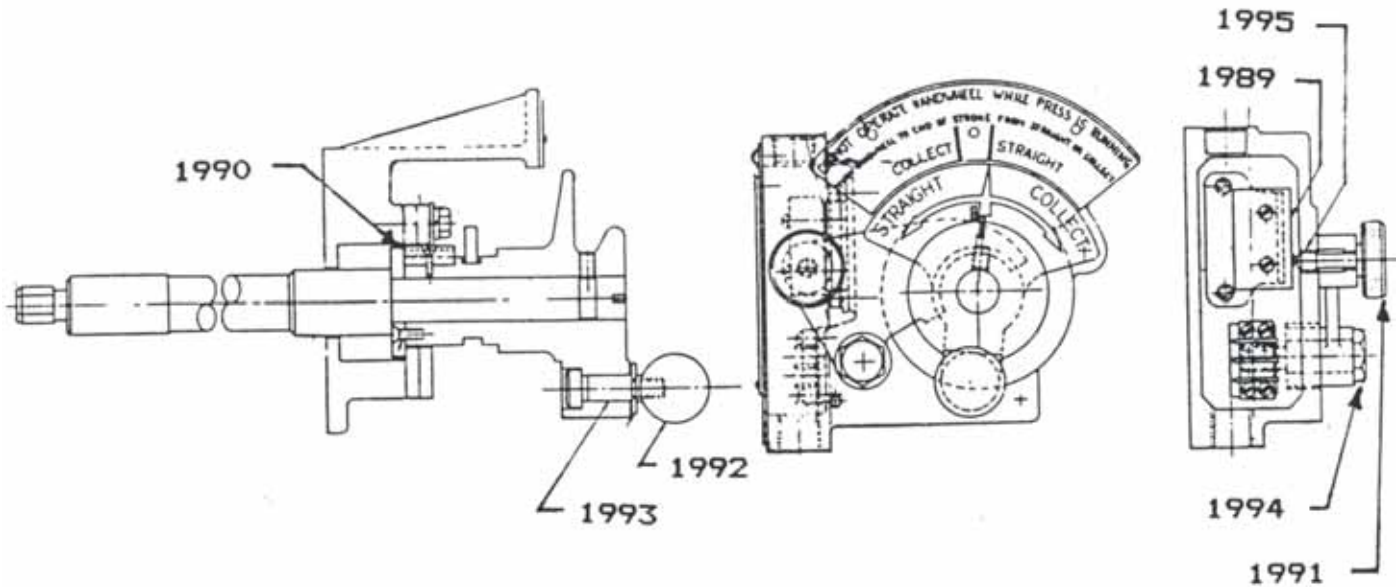
FOLDER: FOLDING CYLINDER



MOTORIZED PIN & LAPP SYSTEM • 3:2 FOLDER

STOCK NO.	DESCRIPTION	GOSS PART NO.
1595	Pin Motor	C-092252-0002
1596	Lap Motor	C-092252-0003
1979	Bearing	C-040104-6211
1980	Lock-nut	C-040123-0110
1981	Lock-washer	C-040124-0110
1982	Retaining Ring	885470-2027
1983	Bearing	722605-0286
1984	Spindle	C-080515-0000
1985	Spacer	C-040065-2502
1986	Spacer	C-040066-2433
1987	Plate	B-131314-0001
1988	Stop Plate	B-131313-0001
2062	Window	933200-0004

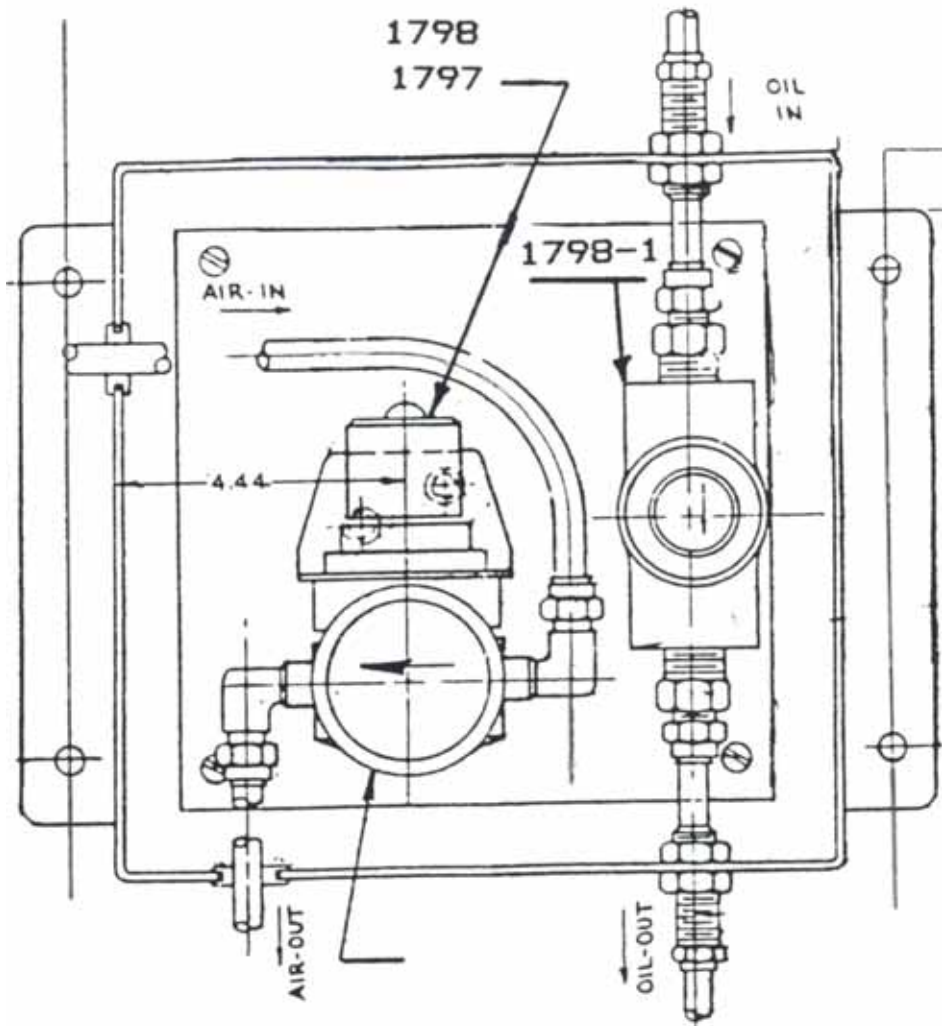
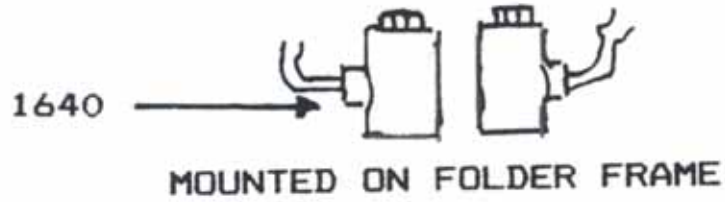
FOLDER: FOLDING CYLINDER



SPIDER WRENCH ASSEMBLY • 3:2 FOLDER

STOCK NO.	DESCRIPTION	GOSS PART NO.
1989	Switch	899751-8172
1990	Key	B-148419-0001
1991	Lockup Latch Screw	B-093080-0001
1992	Handle Ball	781500-0031
1993	Stripper Bolt	C-040131-5010
1994	Latch Pivot Stud	B-093081-0001
1995	Threaded Insert	794041-0080

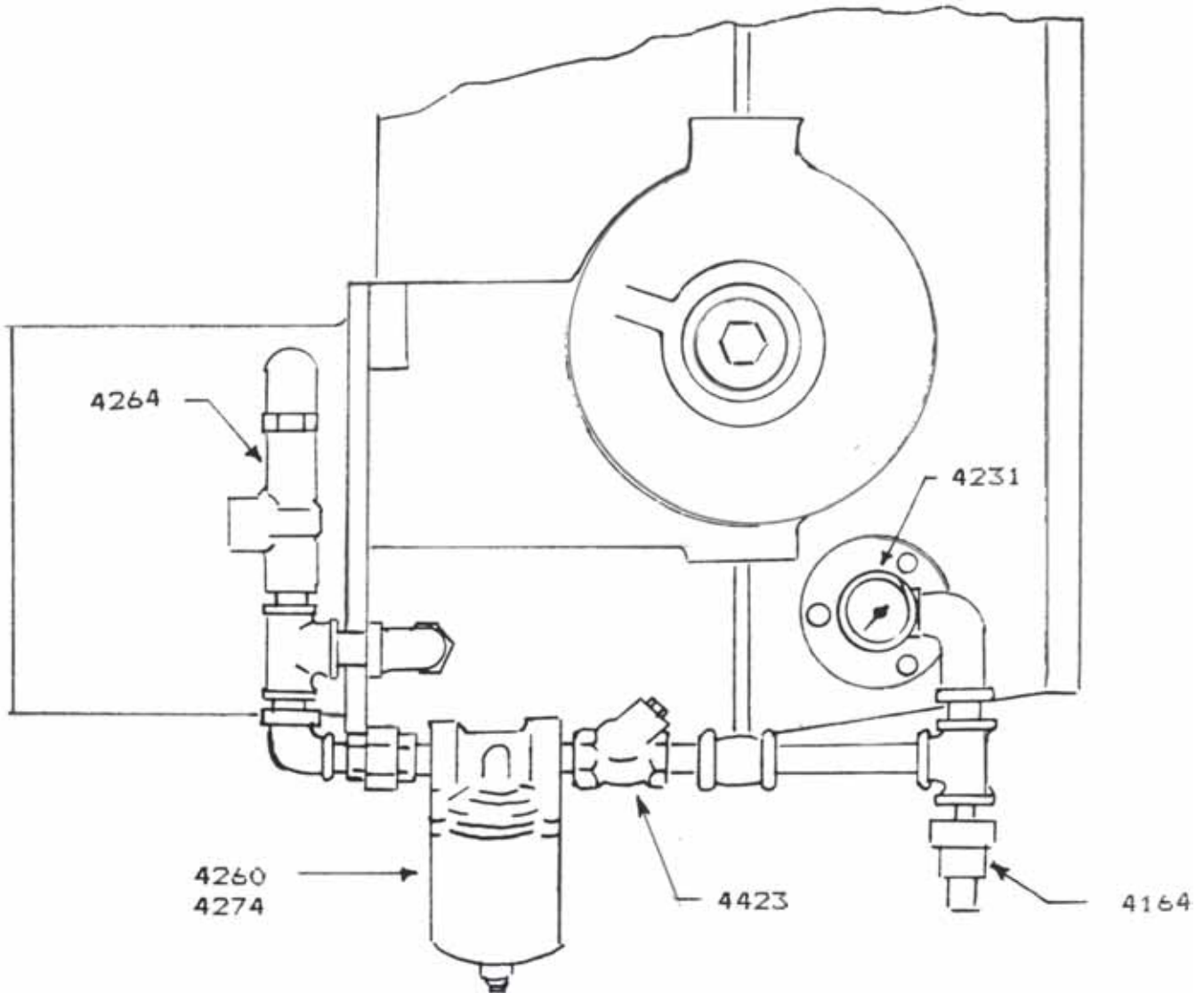
FOLDER: LUBRICATION SYSTEM



CAM LUBRICATION SYSTEM • 3:2

STOCK NO.	DESCRIPTION	GOSS PART NO.
1640	Solenoid	920571-0023
1797	Regulator	882704-0021
1798	Filter	762948-0200
1798-1	Filter Cartridge for # 1798	

FOLDER: LUBRICATION SYSTEM



MAIN DRIVE BOX • METRO-LINER

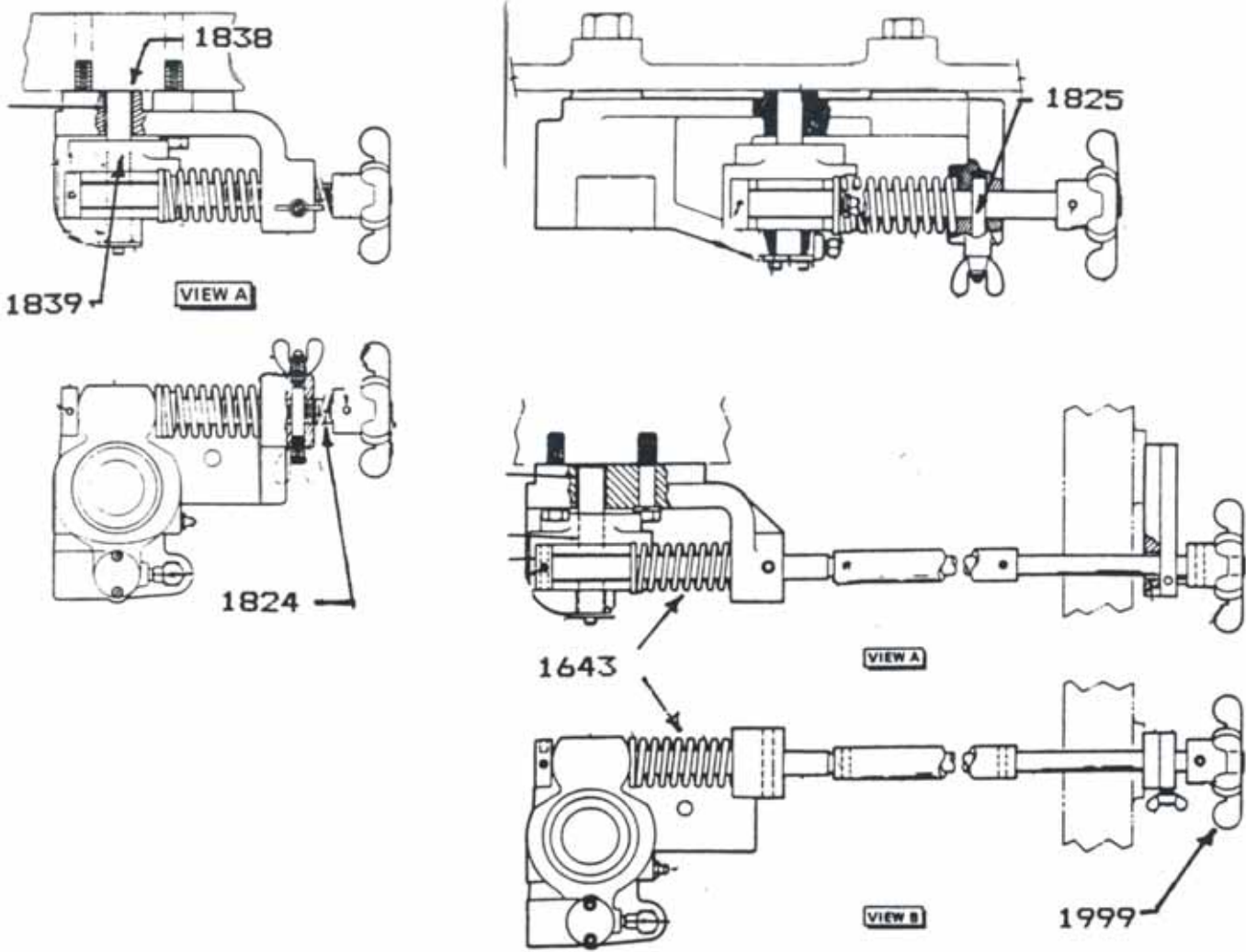
STOCK NO.	DESCRIPTION	GOSS PART NO.
4231	Pressure Gage	774500-0500
4260	Filter	762948-0081
4264	Relief Valve	920567-0014
4274	Filter Element	
4164	Pressure Switch (0-6 lbs.)	
4423	Checkvalve	920509-0005



1-888-434-0888
TOLL FREE

FOLDER: NOTES

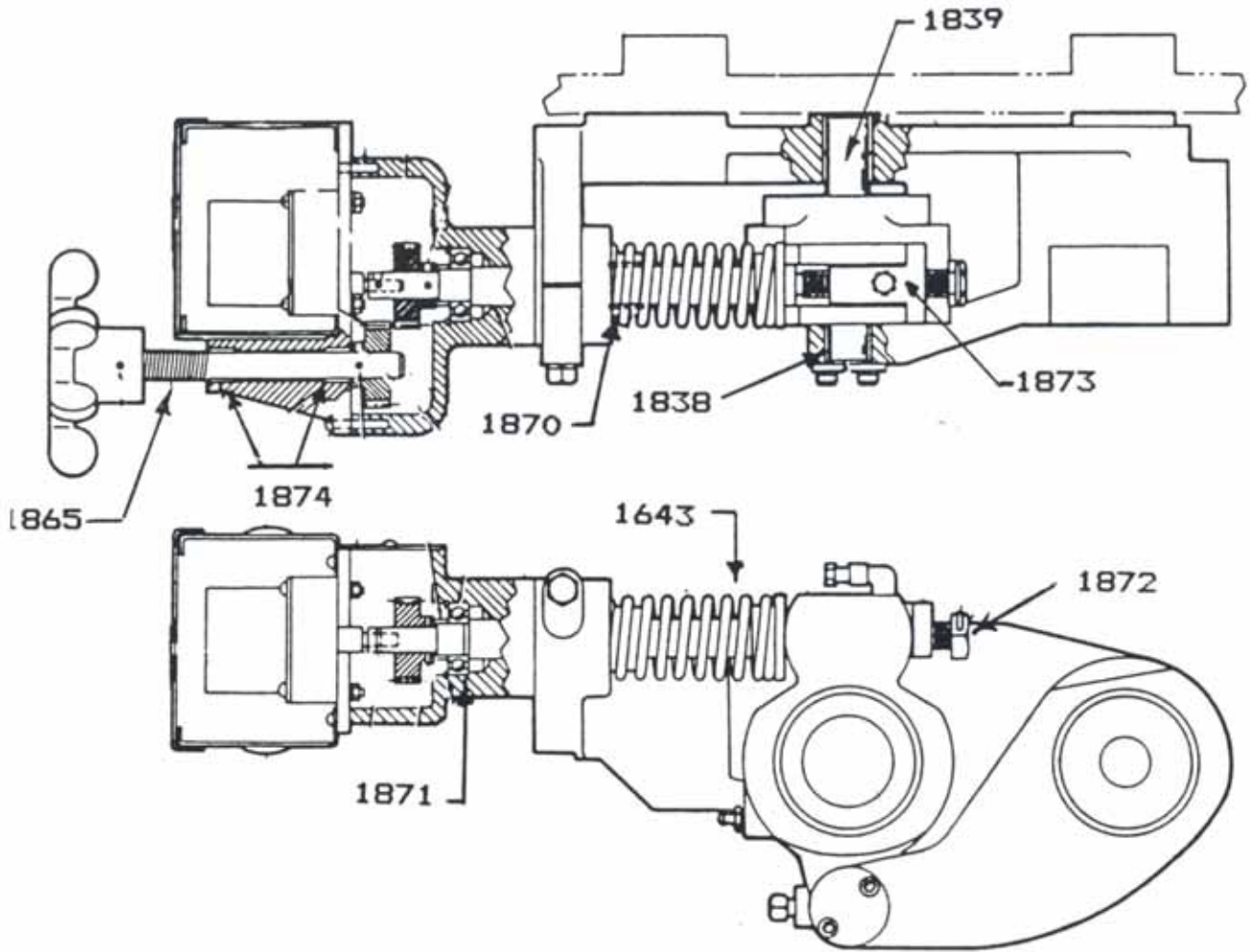
FOLDER: NIPPING SYSTEM



FOLDER NIPPING ROLLER ASSEMBLY • MANUAL NIPS • 2:1 & 3:2

STOCK NO.	DESCRIPTION	GOSS PART NO.
1643	Spring	A-005083-0001
1824	Adjusting Rod Lever	A-005084-0002
1825	Lockup Stud	A-007776-0001
1838	Bearing	729457-0177
1839	Stud	A-010465-0001
1999	Handwheel	B-033155-0000
2199	Collar for Spring	

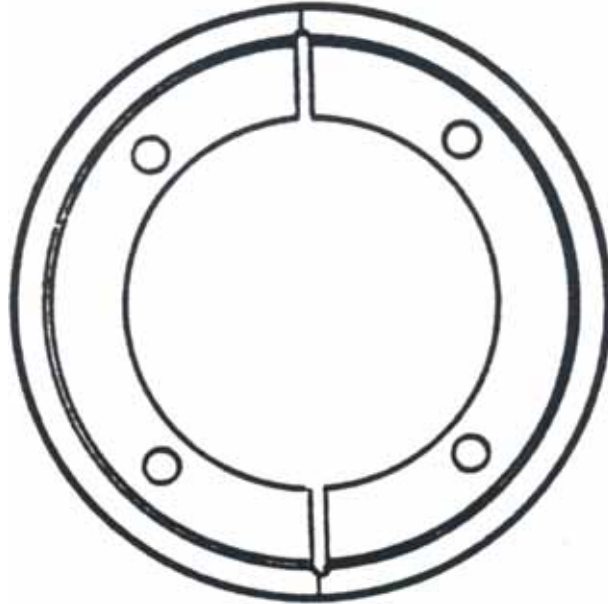
FOLDER: NIPPING SYSTEM



ELECTRICAL NIPPING SYSTEM • 2:1 & 3:2

STOCK NO.	DESCRIPTION	GOSS PART NO.
1643	Springs	A-005083-0001
1838	Bushings	729457-0177
1839	Nip Roller Bracket Stud	A-010465-0001
1865	Spring	897009-4901
1870	Bearing	729457-0176
1871	Bearing	C-040104-6202
1872	Adjusting Shaft	B-149384-0001
1873	Adjusting Nut	B-149372-0001
1874	Sint. Bronze Bearing	C-040075-1104

FOLDER: NIPPING SYSTEM



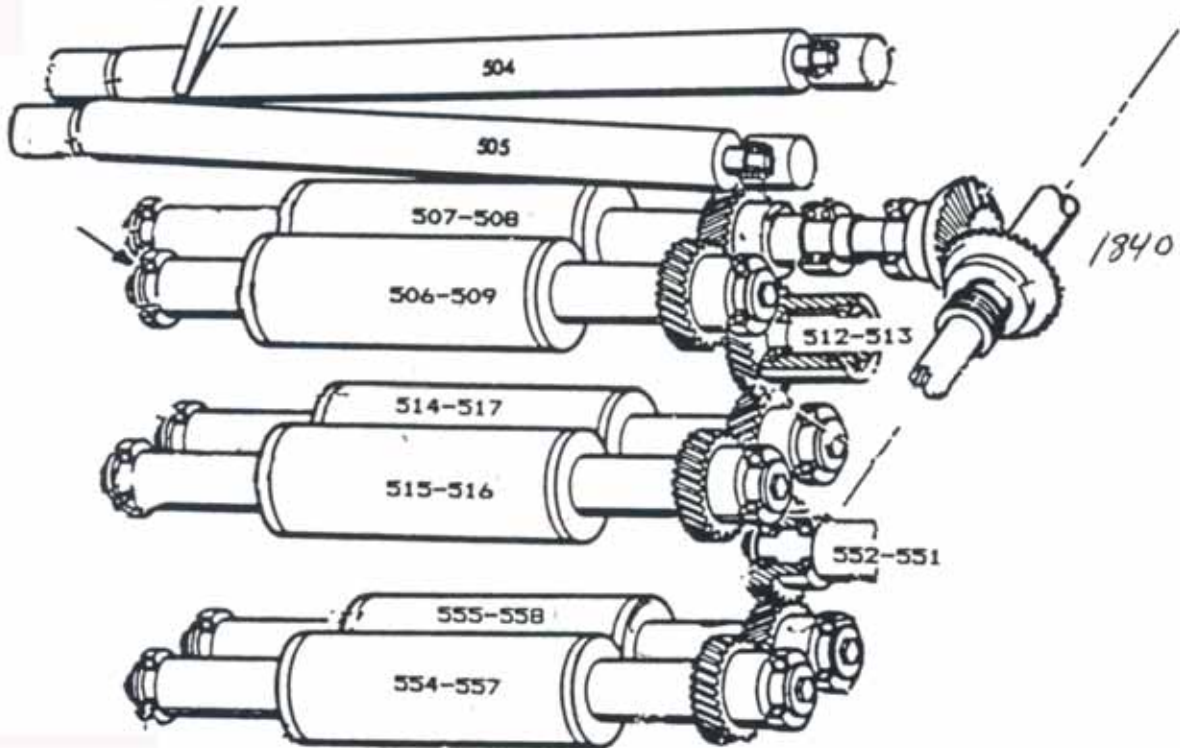
NIPPING RINGS • 2:1 & 3:2

STOCK NO.	DESCRIPTION	GOSS PART NO.
2056	Nip ring - 4.430 OD	C-010116-0001
2057	Nip ring - 4.458 OD	C-010116-0002
2069	Nip ring - 4.9764	C-085212-0004
2574-001	Nip ring - 4.478 OD	C-113639-0001
2575-001	Nip ring - 6.128 OD	C-113638-0001
2347	Nip ring - 4.552 OD	C-122178-0001
2347-002	Nip ring - 4.539 OD	C-122178-0002
2347-003	Nip ring - 4.578 OD	C-122178-0003
2348	Nip ring - 6.2078 OD	D-048395-0001
2348-002	Nip ring - 6.118 OD	D-048395-0002
1788	Nip ring - 4.440 OD	C-085210-0001
1538	Nip ring - 4.451 OD	C-085210-0004
1789	Nip ring	C-085210-0005
1542	Nip ring - 5.562 OD	C-085210-0006
1557	Nip ring - 4.478 OD	C-085210-0007
1540	Nip ring - 4.505 OD	C-085210-0010
1653	Nip ring - 6.157 OD	C-085211-0005
1558	Nip ring - 6.120 OD	C-085211-0007

**** ALL SIZE NIP RINGS AVAILABLE ****

***** ALL AVAILABLE CHROMED *****

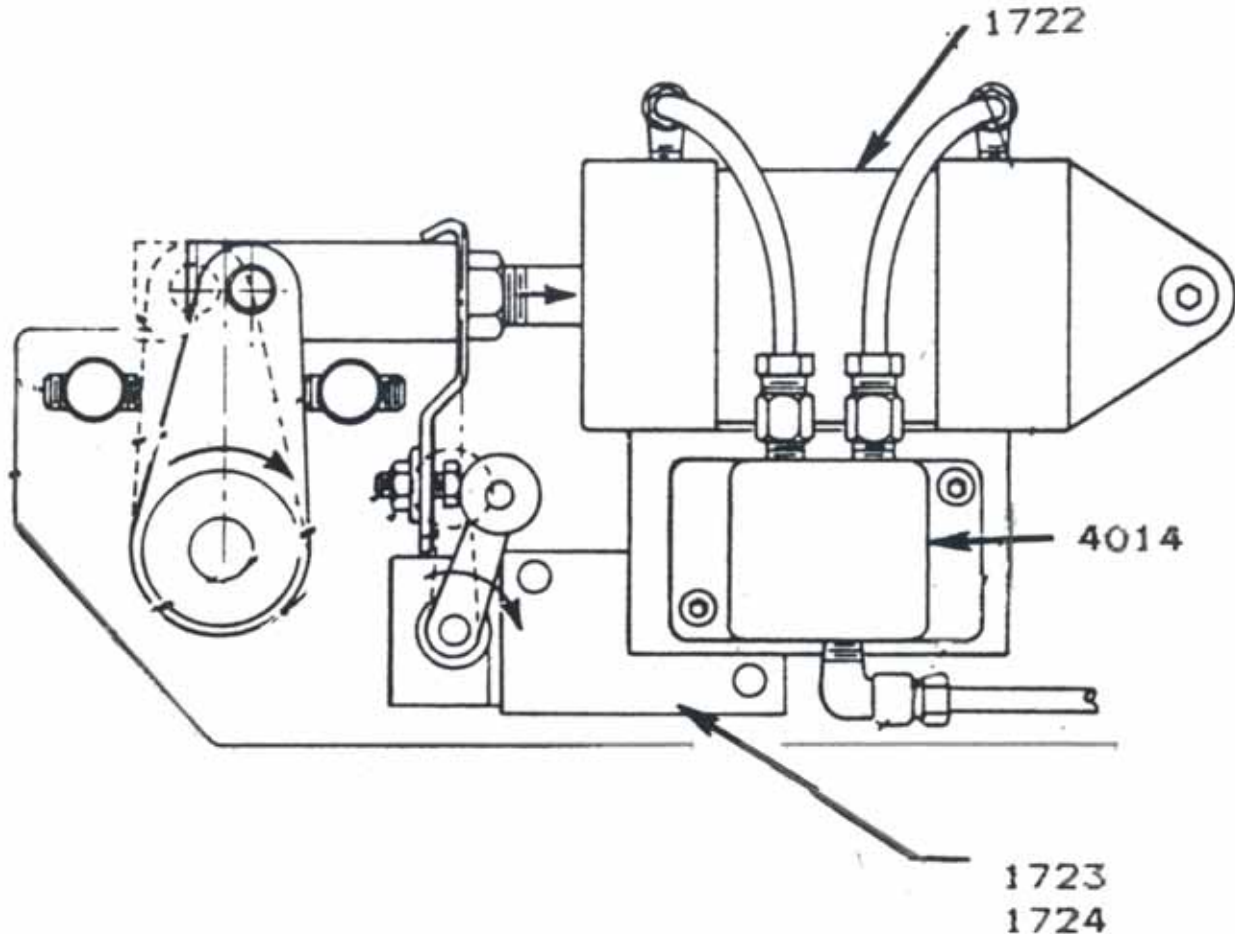
FOLDER: NIPPING SYSTEM



NIP DRIVE GEARS & SHAFT • 3:2

STOCK NO.	DESCRIPTION	GOSS PART NO.
2059	Nip Shaft - CTR 506-509-514-517 554-555-557-558	C-034311-0001
2127	Nip Shaft - CTR 515-516	C-079037-0001
2128	Nip Shaft - CTR 507-508	C-087609-0001
2106	Nip Gear - CTR 507-509 515-517-557	B-061634-0001
2107	Nip Gear - CTR 506-508 514-516-554	B-061635-0001
2129	Nip Gear - CTR 512	C-099359-0001
2130	Nip Gear - CTR 513	C-099358-0001
2131	Nip Gear - CTR 552	C-099397-0001
2132	Nip Gear - CTR 551	C-099398-0001
2133	Nip Gear - CTR 558	C-096942-0001
2134	Nip Gear - CTR 555	C-063007-0001
2126	Bearing - CTR 506-9-14-15-16-17 555-558	722605-0565
4453	Bearing - CTR 552-551-512-513	722605-0292
1840	Nip Drive Gear Set	D-029299-0003

FOLDER: PNEUMATIC SYSTEM



PNEUMATIC FOLDER CLUTCH

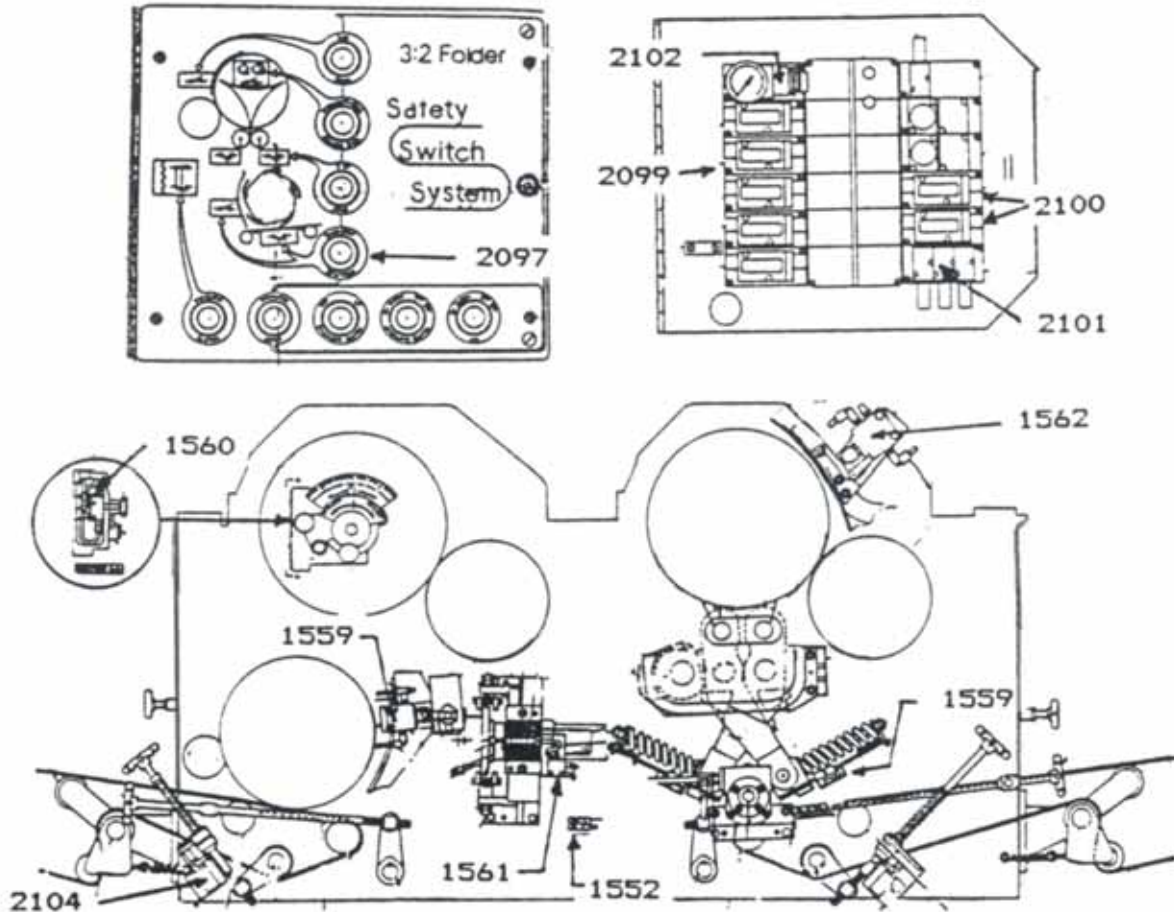
STOCK NO.	DESCRIPTION	GOSS PART NO.
1722	Air Cylinder	B-116658-0006
1723 *	Limit Switch	899751-8235
1724 +	Limit Switch	899751-8354
4014	Solenoid	B-117295-0001

* PRE PRESS NO. 3177
 + POST PRESS NO. 3177

www.a-americanpressparts.com

Check our website for updates!

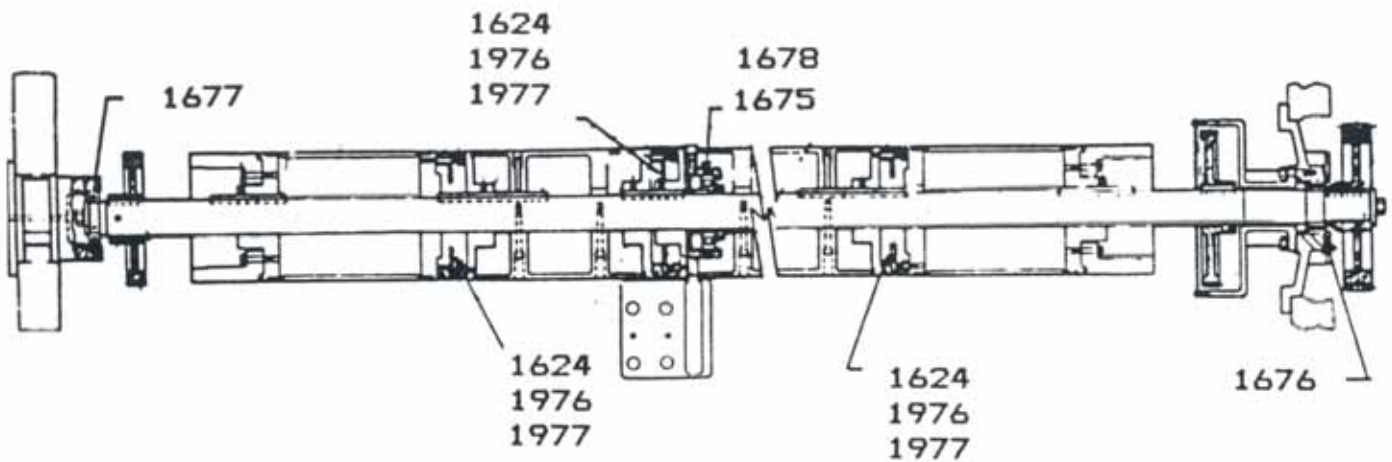
FOLDER: PNEUMATIC SYSTEM



PNEUMATIC SAFETY SYSTEM • 3:2 FOLDER • METRO-LINER

STOCK NO.	DESCRIPTION	GOSS PART NO.
1552	Relay Valve	920512-0071
1559	Backstop Valve (Safety Switch)	920512-0061
1559	Folding Roller Valve (Safety Switch)	920512-0061
1560	Changeover Valve	920512-0065
1561	Overload Valve	920512-0081
1562	Cam Door Valve	920512-0080
2097	Indicator	792000-0203
2098	Pressure Switch	899765-0000
2099	Relay Valve	920502-0076
2100	Relay Valve	920502-0075
2101	Air Shuttle Valve	920502-0068
2102	Regulator	882705-0005
2103	Air Filter	762901-0201
2104	Choke Release Valve	920512-0066

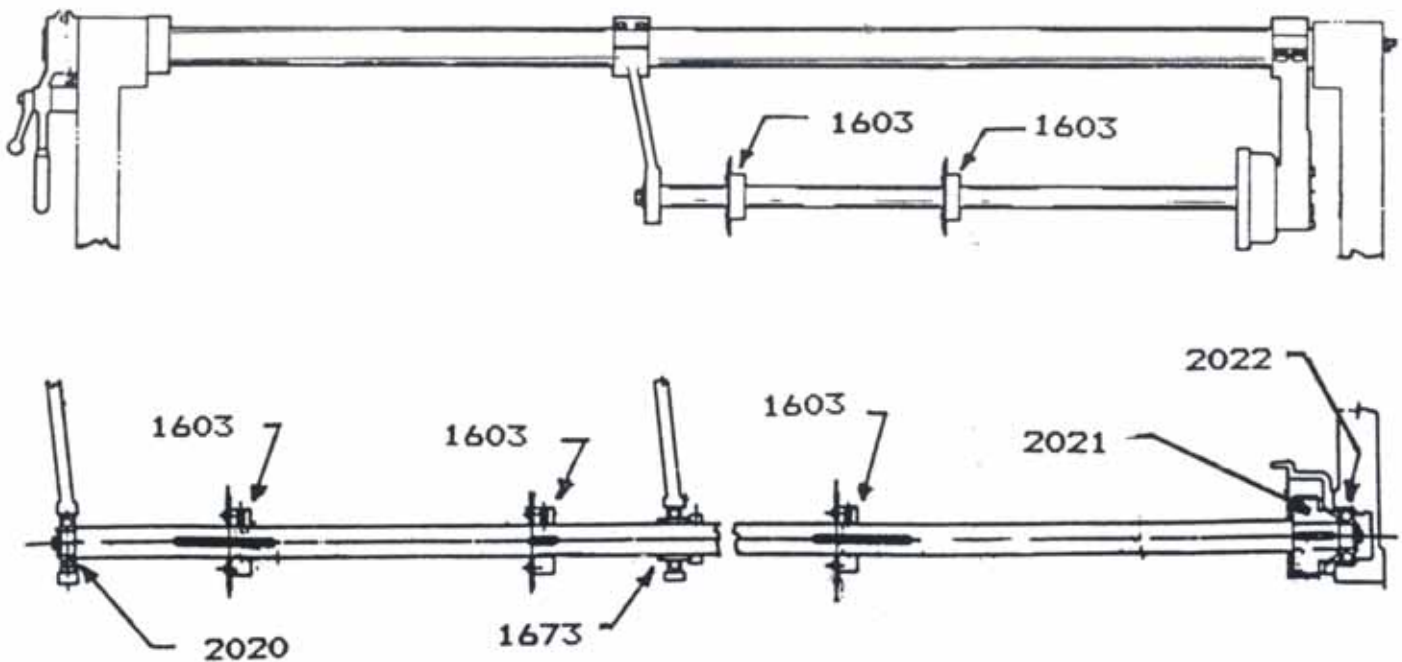
FOLDER: ROLLER TOP OF FORMER



ROLLER TOP OF FORMER (RTF) 2:1 & 3:2 FOLDER

STOCK NO.	DESCRIPTION	GOSS PART NO.
1513	Slitter Scraper	A-008158-0001
1565	Tab Slitter Bracket	B-142471-0001
1624	Slitter Anvil	B-138454-0001
1674	Center Slitter Bracket	B-108282-0001
1675	Bearing	C-040120-0215
1676	Bearing	C-040108-5211
1677	Bearing	C-040102-6211
1678	Adapter	C-040122-1524
1976	Slitter Anvil	B-108331-0001
1977	Slitter Anvil	C-094665-0001

FOLDER: SLITTER SYSTEM

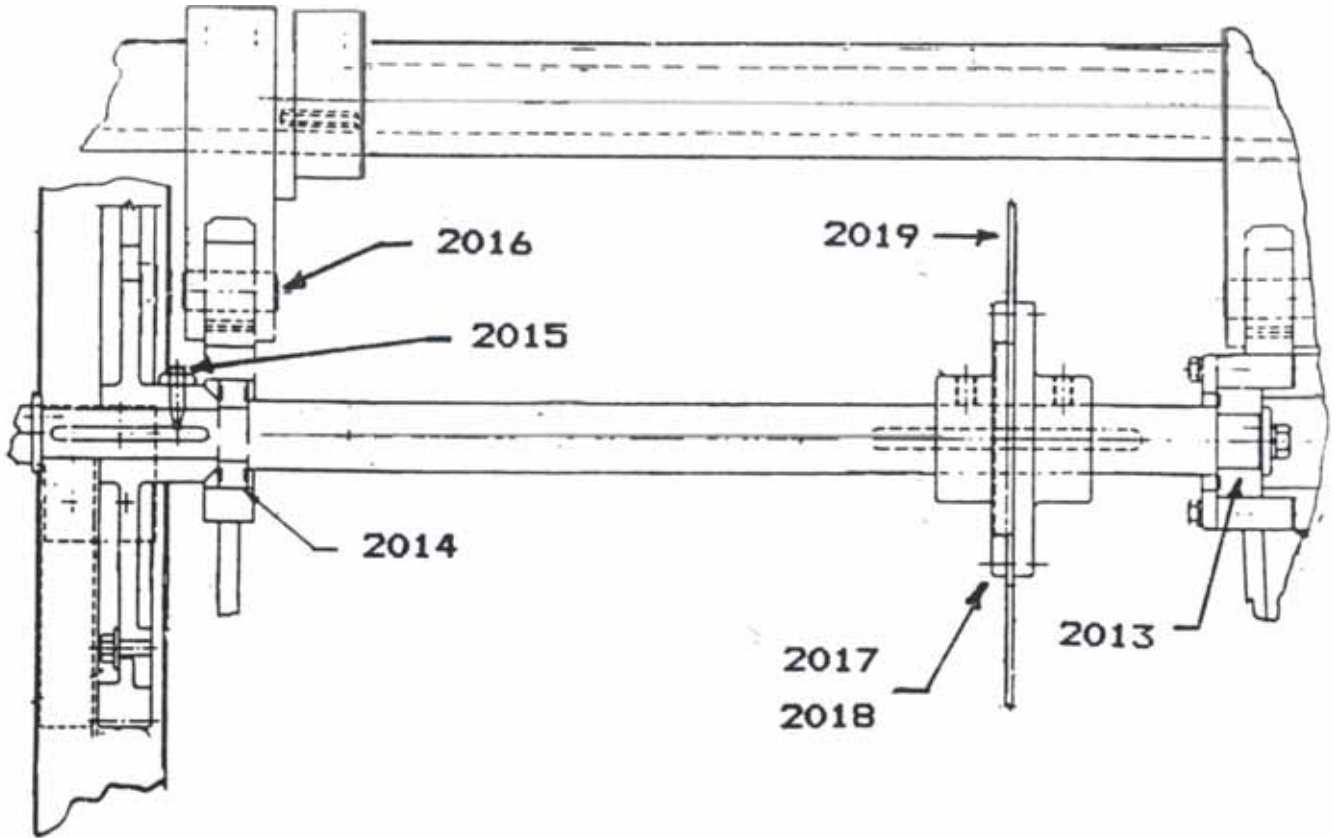


SLITTER SHAFT & DRIVE • NEW STYLE/ WITH PNEU TROLLEY

STOCK NO.	DESCRIPTION	GOSS PART NO.
1603	Slitter Hub	B-139222-0001
1673	Bearing	722605-0019
2020	Bearing	C-040105-6306
2021	Gear	C-064749-0001
2022	Bearing	C-040103-6306

www.a-americanpressparts.com
 Check our website for updates!

FOLDER: : SLITTER SYSTEM



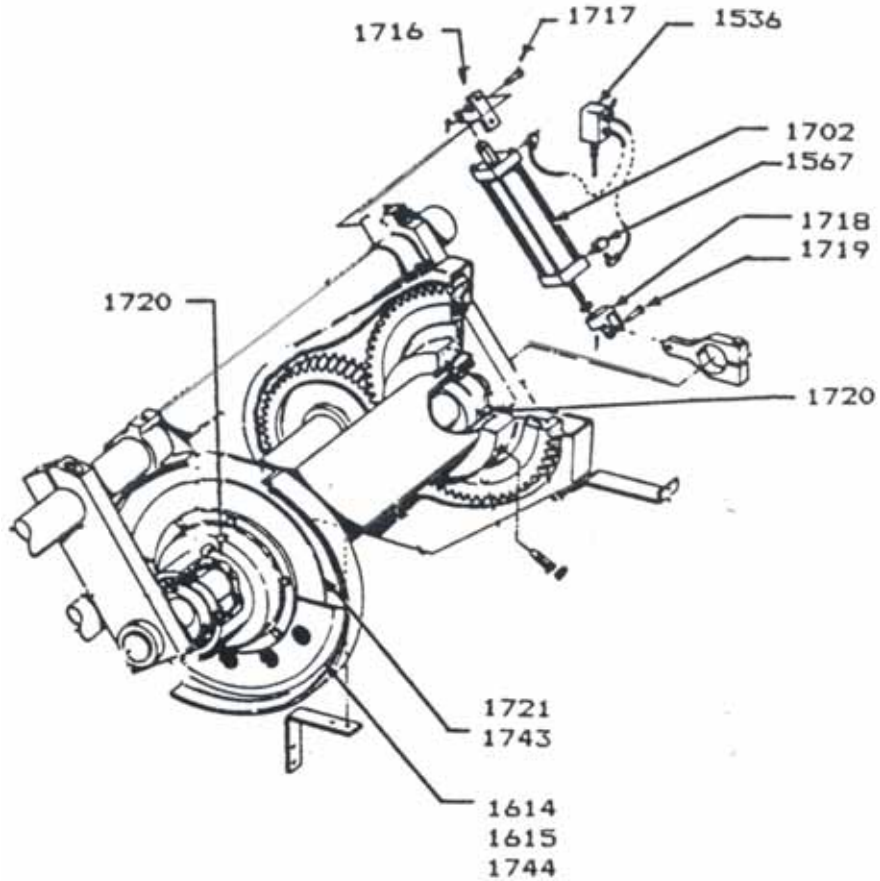
MANUAL SKIP SLITTER

STOCK NO.	DESCRIPTION	GOSS PART NO.
2013	Bearing	722605-0167
2014	Bearing	722605-0565
2015	Lock Screw	AR-001267-0001
2016	Pin	A-011051-0001
2017	Split Plate	B-130781-0001
2018	Plate (One Piece)	B-113072-0001
2019	Filler	B-113110-0001

www.a-americanpressparts.com

Check our website for updates!

FOLDER: PNEUMATIC SYSTEM



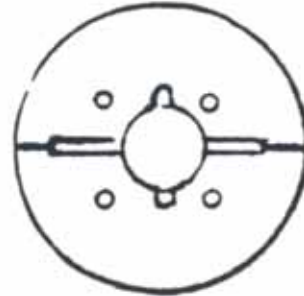
PNEUMATIC SKIP SLITTER ASSEMBLY • 2:1

STOCK NO.	DESCRIPTION	GOSS PART NO.
1536	Air Switch	899700-8114
1567	Flow Control Switch	920520-0030
1614 *	Skip Slitter	C-088221-0001
1615 *	Skip Slitter	B-138030-0001
1702	Air Cylinder	739902-0131
1716	Clevis Bracket	B-139779-0001
1717	Clevis Pin	863308-2512
1718	Clevis	B-139778-0001
1719	Clevis Pin	863308-5014
1720	Bearing	722605-0617
1721 *	Filler Segment	B-138031-0001
1743 +	Filler Segment	B-139431-0001
1744 +	Skip Slitter	C-088697-0001

* 13-11/16" to 14-1/2" PRESS

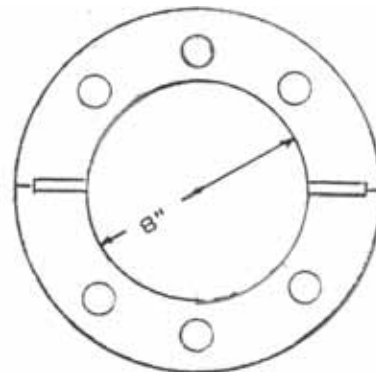
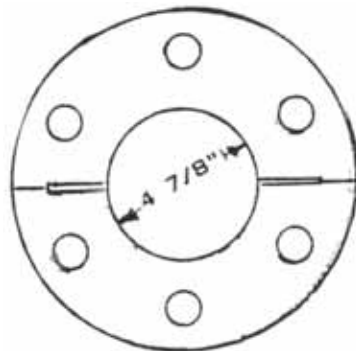
+ 15" PRESS

FOLDER: SLITTER SYSTEM



ROLLER TOP OF FORMER SLITTERS

STOCK NO.	DESCRIPTION	GOSS PART NO.
1528	Split Slitter - 5.718 Dia.	B-112217-0001
1514	Split Slitter - 5.750 Dia.	B-139223-0001
1523	Split Slitter - 5.843 Dia.	B-146967-0001
1523-00T	Split Slitter - 5.843 Dia. (Tin Coated)	
1662	Split Slitter - 5.840 Dia.	B-112217-0003
1681	Split Slitter - 5.750 Dia.	B-128909-0001

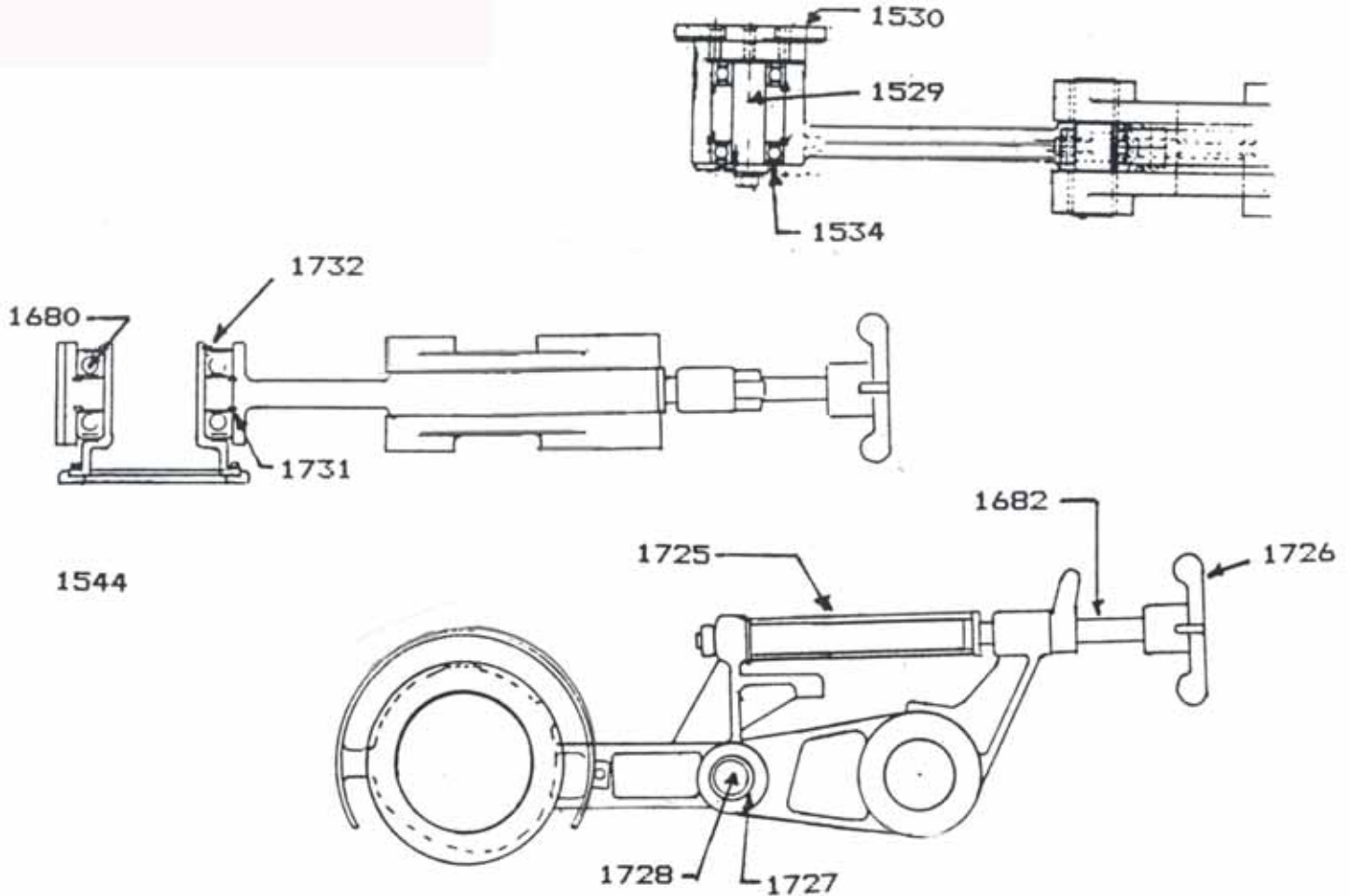


SKIP SLITTERS

STOCK NO.	DESCRIPTION	GOSS PART NO.
20004	Skip Slitter - 15" Dia.	B-080273-0001
1526	Skip Slitter - 15" Dia.	B-113071-0001
1614	Skip Slitter - 15" Dia.	C-088221-0001
1615	Skip Slitter - 15" Dia.	B-138030-0001
1602	Skip Slitter - 15-1/2" Dia. x 6-1/4"	B-078925-0001
	Skip Slitter - 15-1/2" Dia.	B-088697-0001
	Skip Slitter - 15-1/2" Dia. x 4-7/8"	B-117321-0001
1550	Skip Slitter - 15-1/2" Dia. x 8"	C-088222-0001
1770	Skip Slitter - 15-1/2" Dia. x 8"	C-088697-0001
1794	Skip Slitter - 15-1/2" Dia. x 4.875	B-118349-0001
1543	Skip Slitter - 16" Dia.	

**** ALL SLITTERS CAN BE MFG, TO CUSTOMER'S SPECIFICATIONS ****

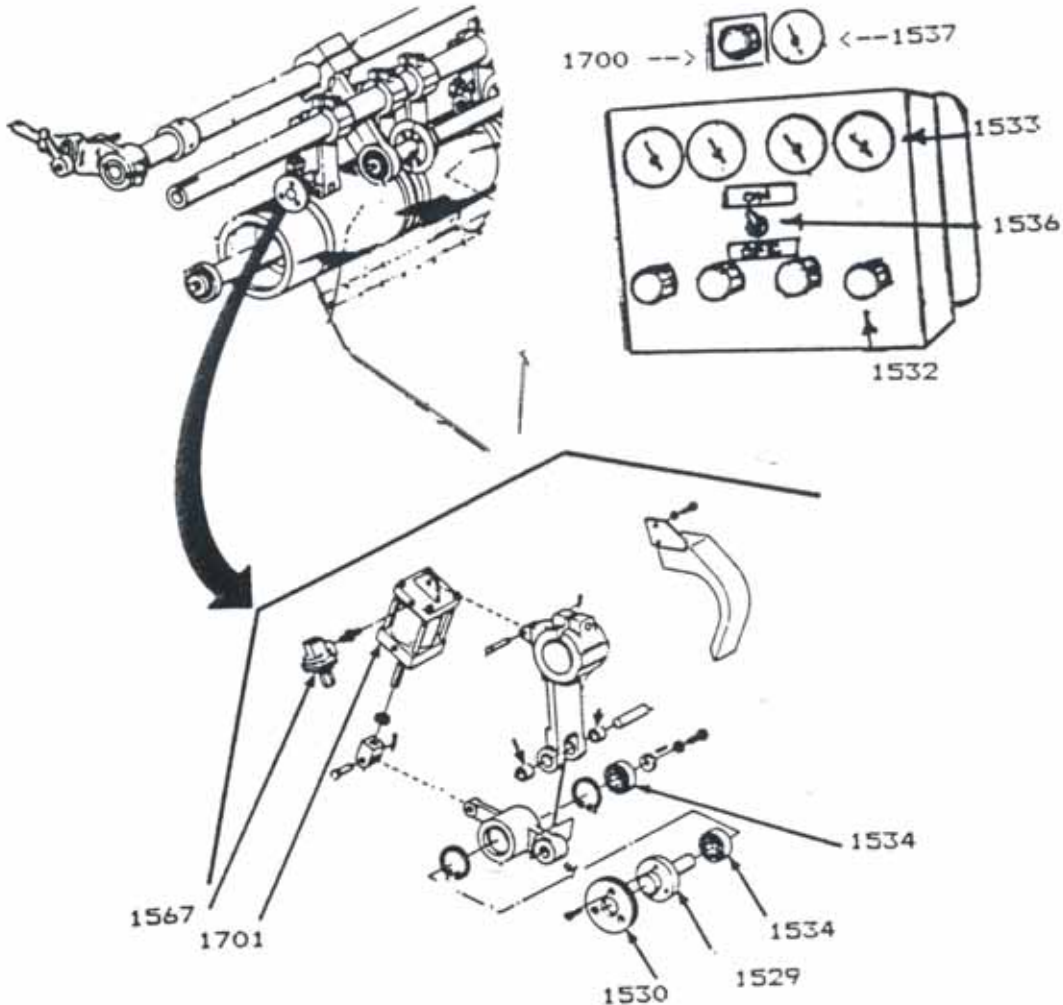
FOLDER: TROLLEY SYSTEM



RTF MANUAL TROLLEY • 2:1 & 3:2

STOCK NO.	DESCRIPTION	GOSS PART NO.
1529	Spindle	B-069354-0001
1530	Solid Brass Trolley	B-069353-0001
1534	Bearing	C-040104-6204
1544	Split Brass Trolley	B-115904-0001
1680	Bearing	722605-0235
1682	Adjusting Screw	B-079758-0001
1725	Spring	B-032246-0001
1726	Handwheel	B33195-0018-89
1727	Bushing	729405-6061
1728	Pin	B-097531-0001
1731	Spirolox Inner Ring	885470-0104
1732	Spirolox Outer Ring	885470-0152

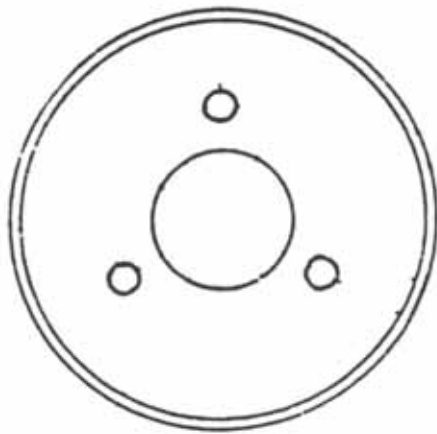
FOLDER: PNEUMATIC SYSTEM



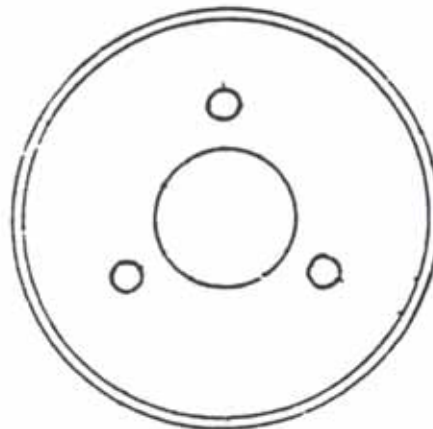
PNEUMATIC TROLLY ASSEMBLY • 2:1 & 3:2

STOCK NO.	DESCRIPTION	GOSS PART NO.
1529	Trolley Spindle	B-069354-0001
1530	Trolley	B-069353-0001
1531	Oilite Bearing	C-040075-1606
1532	Regulator	882704-0046
1533	Gage	B-147222-0001
1534	Bearing	C-040104-6204
1536	Switch	089900-8114
1537	Back Pressure Gage	771529-0311
1567	Control Valve	920520-0030
1700	Back Pressure Regulator	882704-0047
1701	Air Cylinder	739902-0014

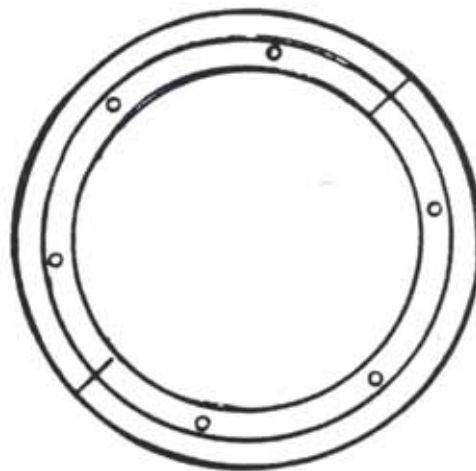
FOLDER: TROLLEY SYSTEM



1530 - 1652



1858 - 1919



1544



TROLLIES • 2:1, 3:2 & REGENT

STOCK NO.	DESCRIPTION	GOSS PART NO.
1530	Solid Bronze Trolley - 2:1 & 3:2	B-069353-0001
1544	Split Bronze Trolley - 2:1 & 3:2	B-115904-0001
1652	Solid Bronze Trolley - Regent	B-155199-0001
1858	Plastic Trolley - Regent	B-148492-0001
1919	Plastic Trolley - 2:1 & 3:2	



1-888-434-0888
TOLL FREE

FOLDER: ELECTRICAL SYSTEM

TACHOMETER & GENERATOR • 2:1 & 3:2

STOCK NO.	DESCRIPTION	GOSS PART NO.
1613-1	Tach Generator	722800-8014
1613-2	Tach Generator	722800-8015
1613-000	Tachometer	C-072790-0001
1613-004	Tachometer	C-086219-0000
1613-5	Tachometer	C-091424-0000
1613-6	Tachometer - Rebuilt	C-072790-0001
1613-7	Tach Generator Gear	B-079065-0001
1613-8	Glass Cover	
2063	Speed Control Indicator - 0-75 pph for 160 Page Green Streak Folder	

www.a-americanpressparts.com

Check our website for updates!



1-888-434-0888
TOLL FREE

FOLDER: ELECTRICAL SYSTEM

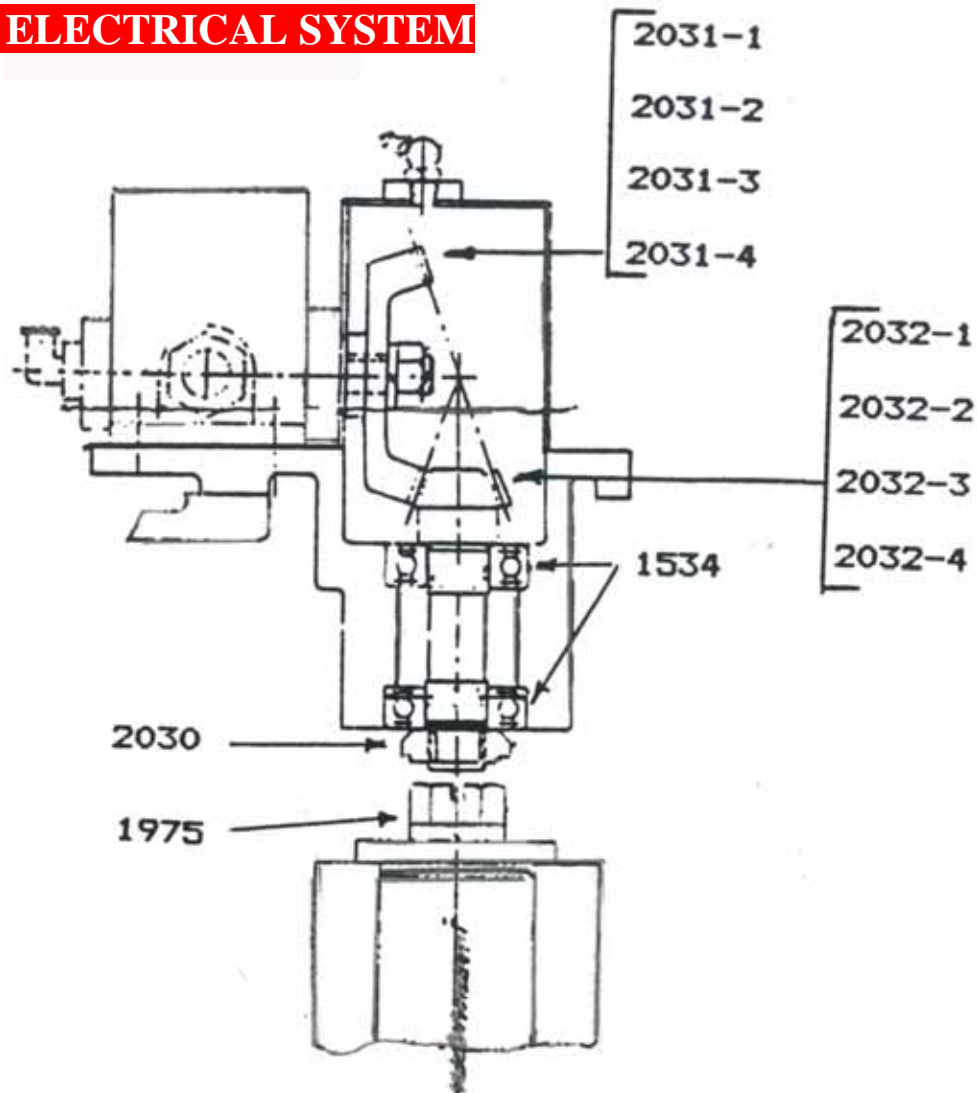
2:1 & 3:2 FOLDER

STOCK NO.	DESCRIPTION	GOSS PART NO.
1565	Pin Motor	C-092252-0002
1596	Lapp Motor	C-092252-0003
1597	Signal Lite Assy - Red-Green	
1598	Signal Lite Assy - Red-Green-White	
1632	Lubricator - 1qt. (4 drip feed)	C-098646-0014
1633	Lubricator - 1qt. (5 drip feed)	C-098646-0015
1634	Coil - 110v for above Lubricators	734700-8002
1648	Balloon Former Detector	ER-21382-0004
1655	Cross Association Detector	ER-21382-0003
1679	4 Button Station - Safe-Ready-Inch-Stop	D-023293-0007
1817	Limit Switch for Delivery Pan - 2:1	
1818	Limit Switch -Horiz. Drive - 3:2	899751-8234
1818-1	Ring Seal for Limit Switch	
1819	Limit Switch for Delivery Pan - 3:2	885477-0015
2096	6 Button Station - Safe-Ready-Inch Faster-Slower-Stop	
2097	Reel Margin Station - Special Order	

www.a-americanpressparts.com

Check our website for updates!

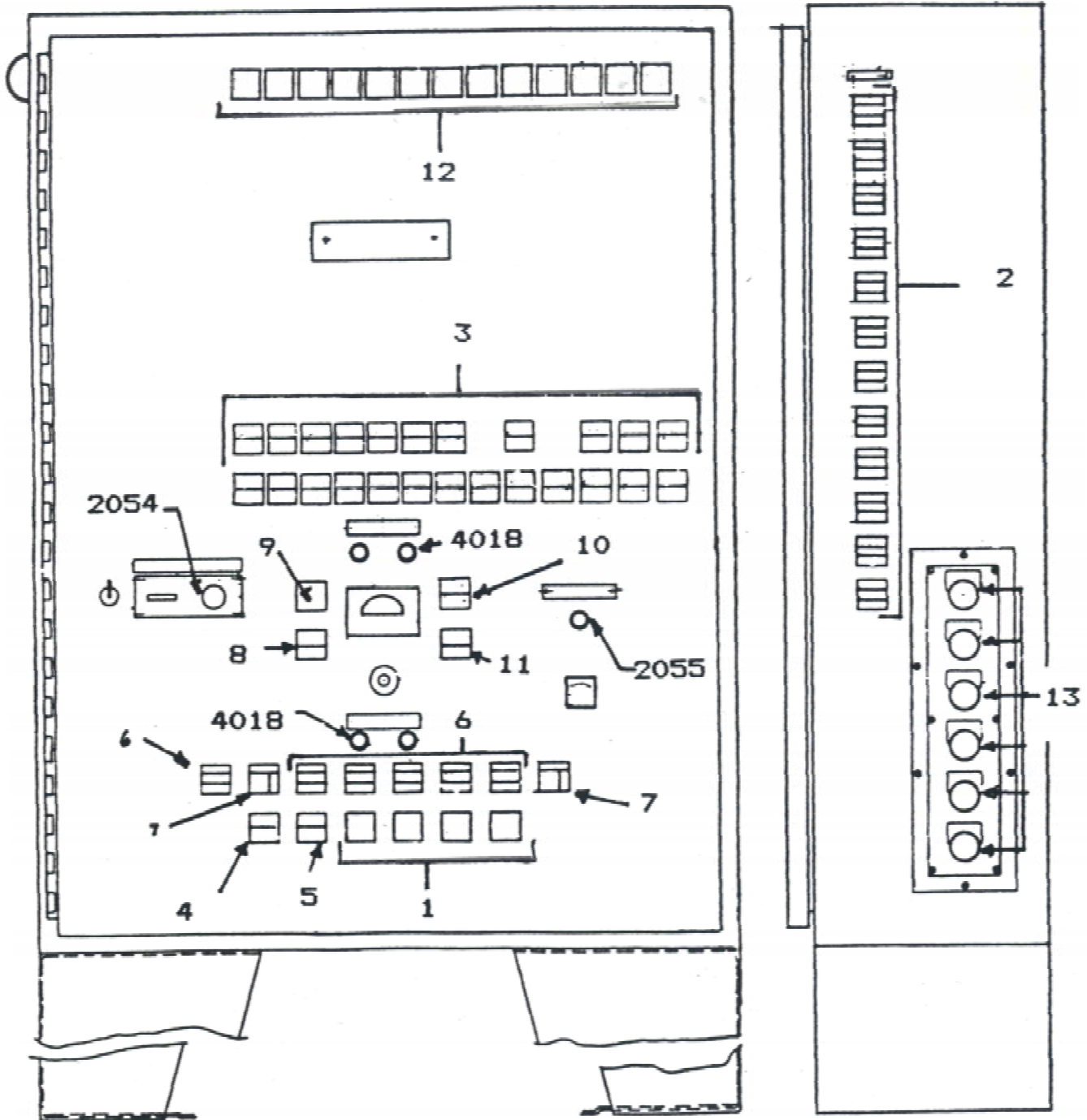
FOLDER: ELECTRICAL SYSTEM



TETCO RECORDING GEARING ASSEMBLY • 3:2 FOLDER

STOCK NO.	DESCRIPTION	GOSS PART NO.
1534	Bearing	C-040104-6204
1975	Screw	A-007681-0001
2030	Locknut	826300-0030
2031-1	Bevel Gear	C-048293-11-2062
2031-2	Bevel Gear	C-058626-11-2093
2031-3	Bevel Gear	C-060244-11-2096
2031-4	Bevel Gear	C-113124-11-2256
2032-1	Beveled Pinion	C-043293-0001
2032-2	Beveled Pinion	C-058626-0001
2032-3	Beveled Pinion	C-060244-0001
2032-4	Beveled Pinion	C-113124-0001

FOLDER: ELECTRICAL SYSTEM



FOLDER CONSOLE • UPRIGHT TYPE (NEW STYLE)



1-888-434-0888
TOLL FREE

FOLDER: ELECTRICAL SYSTEM

FOLDER CONSOLE • UPRIGHT TYPE (NEW STYLE)

	STOCK NO.	DESCRIPTION	GOSS PART NO.
(1)	2044-1	Contact Block (1NO)	ER-021989-0005
	2044-2	Contact Block (1NC)	ER-021989-0032
	2048-1	Single Button Operator	ER-021989-0031
	2051-1	Button - Yellow	C-079690-0003
	2051-2	Button - Black	C-079690-0002
	2051-3	Button - Gray	C-079690-0001
	2051-4	Button - Red	ER-021989-0041
(2)	2044-1	Contact Block (1NO)	ER-021989-0005
	2045-8	Button - Black (Left)	C-079693-0014
	2045-9	Button - Black (Right)	C-079693-0015
	2046-1	Lamp Bulb	
	2047-5	Amber Lens (Paste)	C-079696-0001
	2048-6	2 Button Operator w/ Ind. Light	ER-021989-0046
(3)	1607	2 button Operator	ER-021989-0036
	2044-1	Contact Block	ER-021989-0005
	2045-1	Button - Blue (Advance)	C-079684-0001
	2045-2	Button - Orange (Retard)	C-079684-0002
(4)	2046-2	Bulb	
	2047-2	Lens - Red	ER-021989-0025
	2047-4	Lens - Green	ER-021989-0038
	2053-1	Light - Dual Indicating	ER-021989-0034
(5)	2044-4	Contact Block (1 NO, 1 NC)	ER-021989-0029
	2048-5	2 Button Operator	ER-021989-0033
	2052-1	Button - Green	C-079684-0003
	2052-2	Button - Black	C-079684-0004
(6)	2048-2	2 Button Operator w/ Ind. Light	ER-021989-0035
	2046-1	Bulb	
	2047-1	Lens - Red	
	2044-1	Contact Block (1 NO)	ER-021989-0005
	2044-2	Contact Block (1 NC)	ER-021989-0032
	2049-1	On Button - Orange	C-079693-0012
	2049-2	On Button - White	C-079693-0008
	2049-3	On Button - Black	ER-021989-0040
	2049-4	On Button - Blue	C-079693-0005
	2049-5	On Button - Gray	C-079693-0003
	2049-6	On Button - Brown	C-079693-0001
	2049-7	On Button - Yellow	C-079691-0001
	2049-8	On Button - Black	C-079691-0006
	2050-1	Off Button - Orange	C-079693-0013
	2050-2	Off Button - White	C-079693-0009
	2050-3	Off Button - Black	C-079693-0007
	2050-4	Off Button - Blue	C-079693-0006
	2050-5	Off Button - Gray	C-079693-0004
	2050-6	Off Button - Brown	C-079693-0002



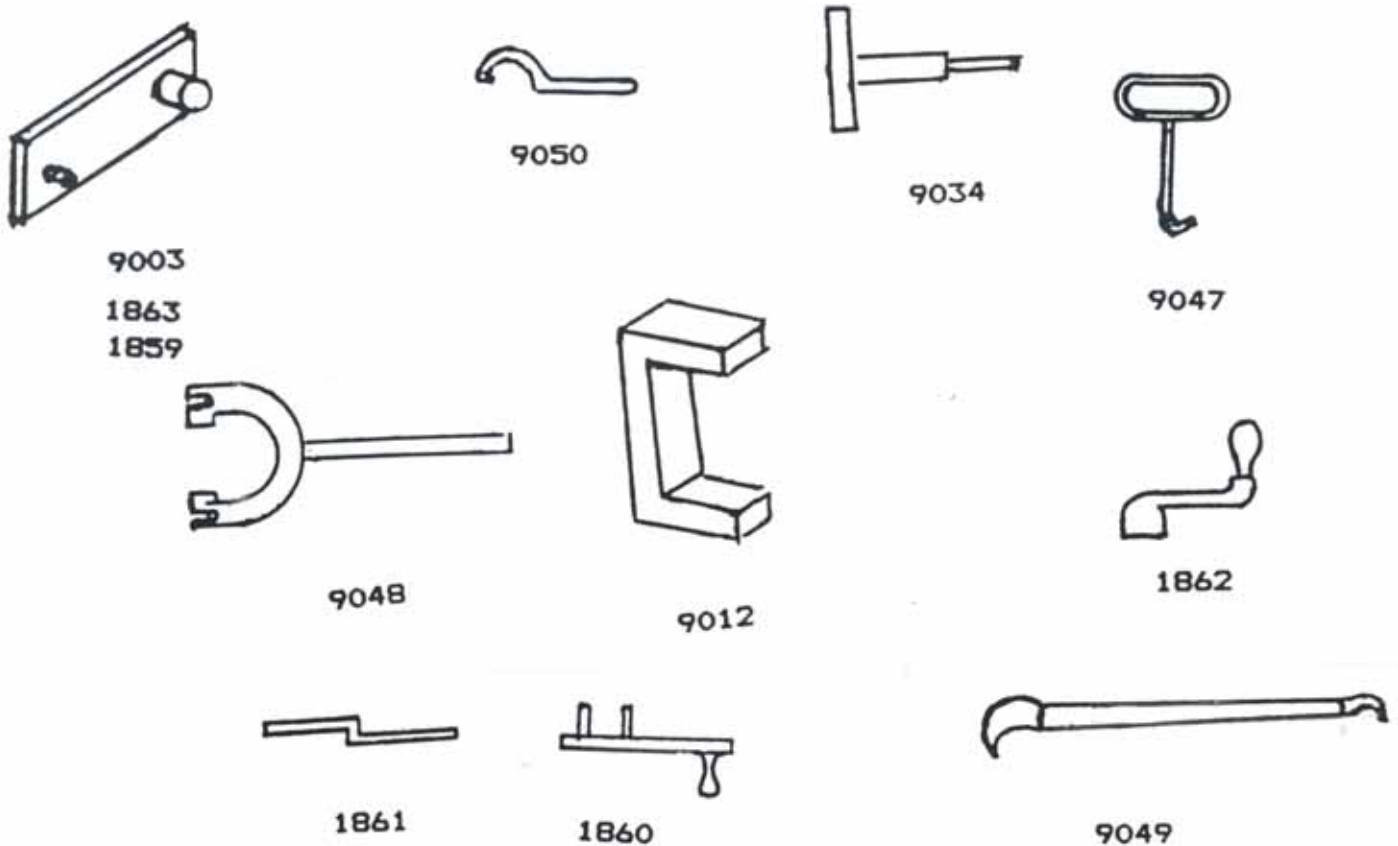
1-888-434-0888
TOLL FREE

FOLDER: ELECTRICAL SYSTEM

FOLDER CONSOLE • UPRIGHT TYPE (NEW STYLE)

	STOCK NO.	DESCRIPTION	GOSS PART NO.
(7)	2048-3	1 Button Operator w/ Release Bar & Light	
	2047-2	Lens - Red	
	2049-7	On Button - Yellow	
	2044-1	Contact Block (NO)	ER-021989-0005
	2049-8	On Button - Black	
	2046-1	Bulb	
(8)	2048-5	2 Button Operator w/ Mech. Interlock	ER-021989-0033
	2045-6	Manual Button - Black	C-079684-0023
	2045-7	Auto Button - Black	C-079684-0024
	2044-3	Contact Block (2 NC)	ER-021989-0075
(9)	2053-2	Single Indicating Light	ER-021989-0044
	2047-6	Lens - Red (Auto)	C-090710-0008
(10)	2044-2	Contact Block (1 NC)	ER-021989-0032
	2048-4	1 Button Operator w/ Ind. Light	ER-021989-0001
	2047-3	Lens - Blue	ER-021989-0039
	2045-5	Reset Button - Black	ER-021989-0043
	2046-1	Bulb	
(11)	2048-4	1 Button Operator w/ Ind. Light	ER-021989-0001
	2047-2	Lens - Red	ER-021989-0025
	2045-3	Flood Button - Black	C-079864-0033
	2044-1	Contact Block (1 NO)	ER-021989-0005
(12)	2053-2	Single Indicating Light	ER-021989-0034
	2046-2	Bulb	
	2054	Remote Counter	C-076151-0003
	2055	GE Variac	906100-8079
	4018	Fuse Holder	B-121598-0001
(13)	3609	Pushbutton Operator - Green (Safe)	D-014727-0050
	3208	Pushbutton Operator - Black	D-014727-0001
	3210	Pushbutton Operator - Gray	D-014727-0047
	2060	Pushbutton Operator - Yellow	D-014727-0003
	3211	Pushbutton Operator - Red	D-014727-0005
	3214	Contact Block (1 NO, 1NC)	D-014727-0014
	3213	Contact Block (1 NO)	D-014727-0049
	3215	Contact Block (2 NO)	D-014727-0016

FOLDER: TOOLS



TOOLS • 2:1, 3:2 & REGENT

STOCK NO.	DESCRIPTION	GOSS PART NO.
1859	Bucket or Fly Gage - Regent	C-115308-0001
1860	Folding Roller Wrench - Regent	C-115583-0001
1861	Anvil Setting Height Gage - Regent	
1862	Band Adjusting Wrench - 3:2	
1863	Bucket or Fly Gage - 3:2	
9003	Bucket or Fly Gage - 2:1	
9012	Knife Height Gage	B-035304-0001
9034	50 lb. Torque Wrench - Folding Pin	
9047	Hook for Lifting Knife Assy.	B-101730-0001
9048	Clutch Shifter Bar	C-039368-0001
9049	Key Bar	
9050	Slitter Hub Locknut Wrench	



1-888-434-0888
TOLL FREE

FOLDER 2:1

Table of Contents

Title:	Page
CROSS ASSOCIATION SYSTEM	
Cross Association • 2:1 Folder	<u>3</u>
Cross Association Gearing • 2:1	<u>4</u>
CUTTING CYLINDER	
Cutting Cylinder Assembly • 2:1	<u>5</u>
Pin Shaft Assembly • 2:1	<u>6</u>
Knife Bar Assembly • 2:1	<u>7</u>
Cheekwoods • 2:1	<u>8</u>
Folding Cutting Knives	<u>9</u>
Counter	<u>10</u>
DELIVERY SYSTEM	
Delivery Assembly	<u>11</u>
Buckets • 2:1 Folder	<u>12</u>
FOLDING CYLINDER	
Folding Cylinder & Bands • 2:1 Folder	<u>13</u>
Folding Pin Assembly • 2:1	<u>14</u>
Folding Pins	<u>15</u>
Folding Pin Holders	<u>16</u>
Pin Post	<u>17</u>
Cam Followers	<u>18</u>
Folding Cylinder Blade Assembly • 2:1	<u>19</u>
Folding Cylinder Blades	<u>20</u>
NIPPING SYSTEM	
Pneumatic Nipping System • 2:1	<u>21</u>
Electrical Nipping System • 2:1 & 3:2	<u>22</u>
Nipping Rings	<u>23</u>
Nip Drive Gears & Shafts	<u>24</u>
PNEUMATIC SYSTEM	
Pneumatic Folder Clutch	<u>25</u>
ROLLER TOP OF FORMER	
RTF Assembly	<u>26</u>



1-888-434-0888
TOLL FREE

SLITTER SYSTEM

Slitter Shaft & Drive • New Style / With Pneumatic Trolley	27
Manual Skip Slitter	28
Pneumatic Skip Slitter Assembly • 2:1	29
Folder Slitters	30

TROLLEY SYSTEM

RTF Manual Trolley	31
Pneumatic Trolley Assembly	32
Trolleys	33

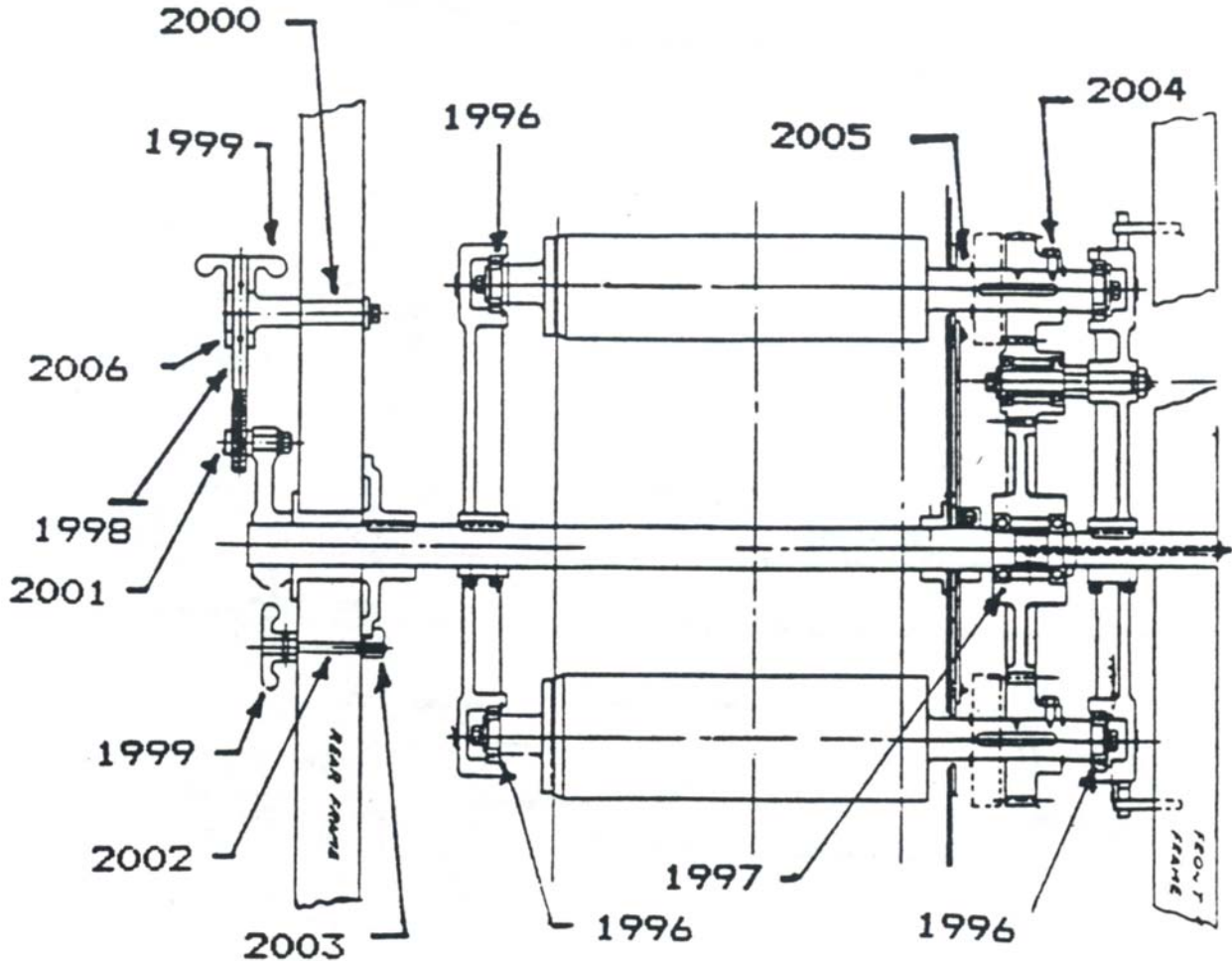
ELECTRICAL SYSTEM

Tachometer & Generator	34
Miscellaneous Electrical	35
Folder Console • Upright Type (New Style)	36

TOOLS

Folder Tools	39
--------------	--------------------

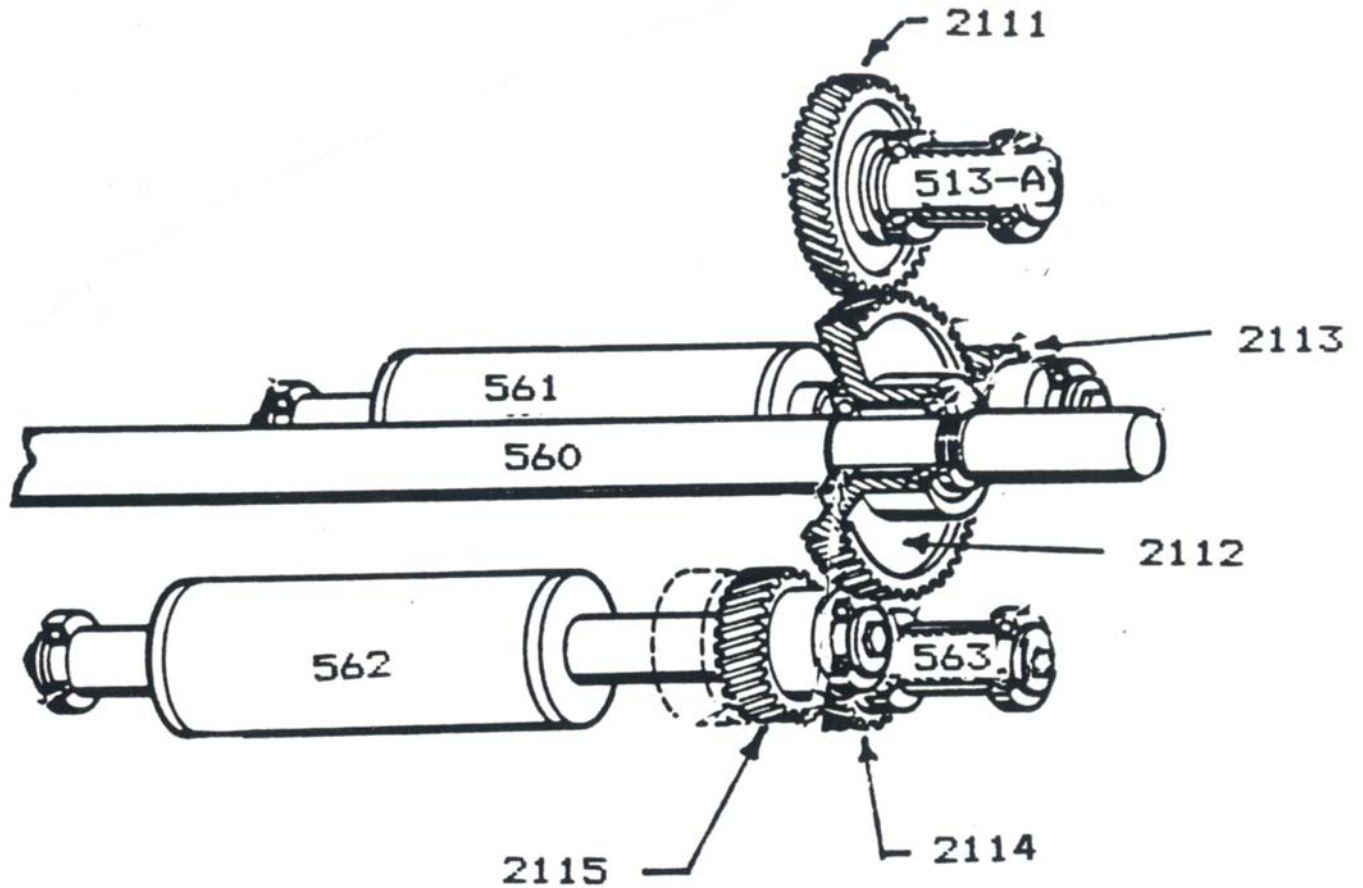
FOLDER: COMPENSATORS & CROSS ASSOCIATION SYSTEM



CROSS ASSOCIATION • 2:1 FOLDER

STOCK NO.	DESCRIPTION	GOSS PART NO.
1996	BEARING	C-040104-6207
1997	BEARING	C-040102-6209
1998	ADJUSTING SHAFT	B-107321-003
1999	HANDWHEEL	B-033155-0000
2000	POPPET	B-033167-0000
2001	POPPET	AR-003426-0001
2002	LOCK SHAFT	AR-002845-0001
2003	LOCK	AR-002844-0001
2004	LOCK SCREW	AR-001447-0001
2005	RETAINING RING	885470-1949
2006	COLLAR	AR-003485-0001

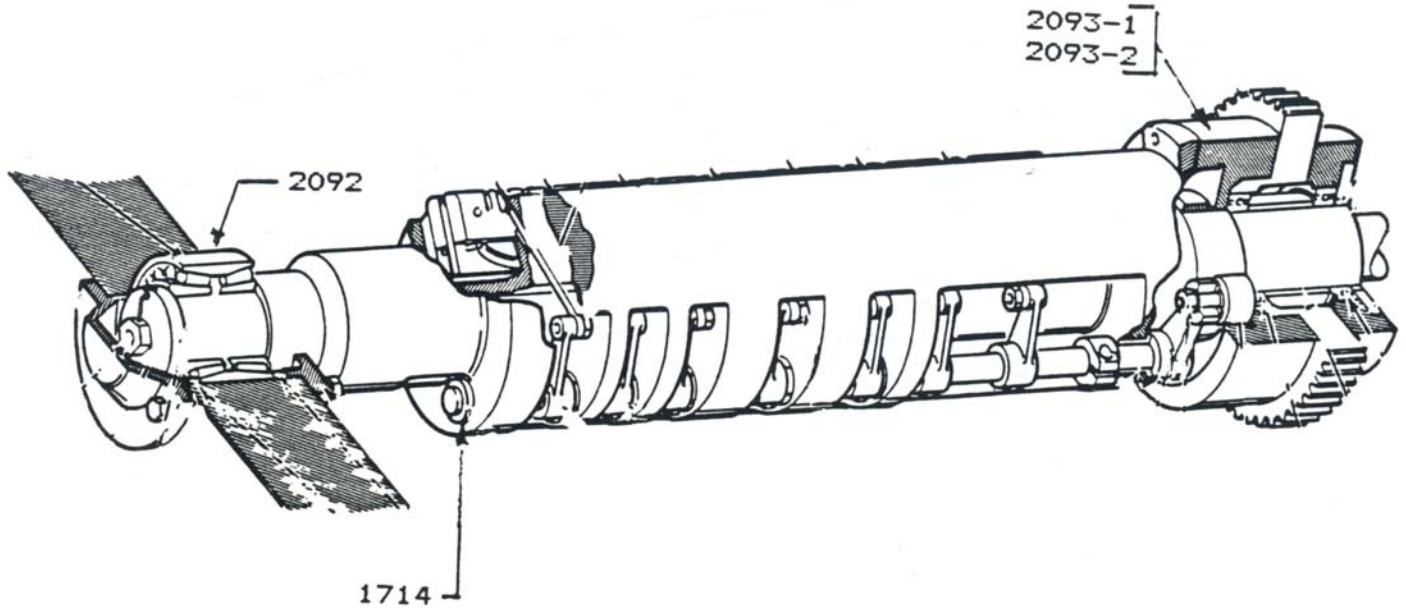
FOLDER: CROSS ASSOCIATION SYSTEM



CROSS ASSOCIATION GEARING • 2:1

STOCK NO.	DESCRIPTION	GOSS PART NO.
2111	Gear -- CTR 513-A	C-075074-0001
2112	Gear -- CTR 560	C-075073-0000
2113	Gear -- CTR 561	B-100309-0001
2114	Gear -- CTR 563	C-072596-0001
2115	Gear -- CTR 562	C-063005-0001

FOLDER: CUTTING CYLINDER



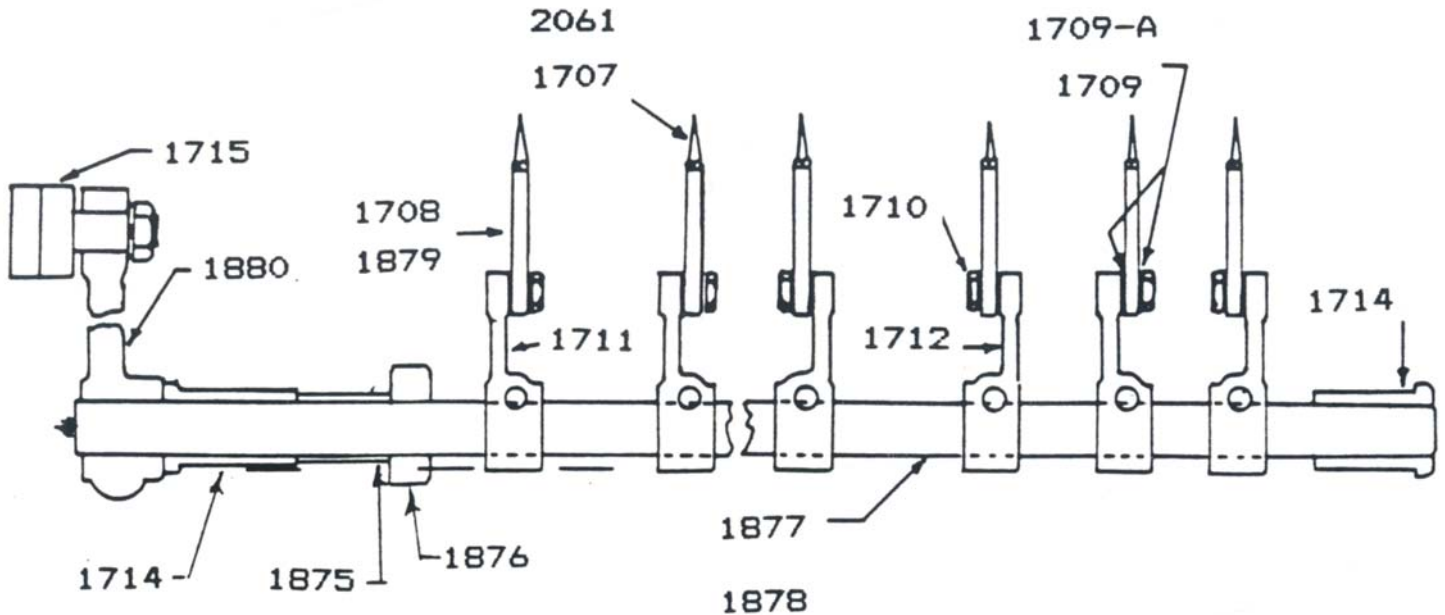
CUTTING CYLINDER ASSEMBLY • 2:1 FOLDER

STOCK NO.	DESCRIPTION	GOSS PART NO.
1714	Bushing	B-104378-0000
2092	Bearing	
2093-1	Collect Cam - 14-1/2" Press	D-16109-9-1456
2093-2	Collect Cam - 15" Press	D-16109-9-1457

www.a-americanpressparts.com

Check our website for updates!

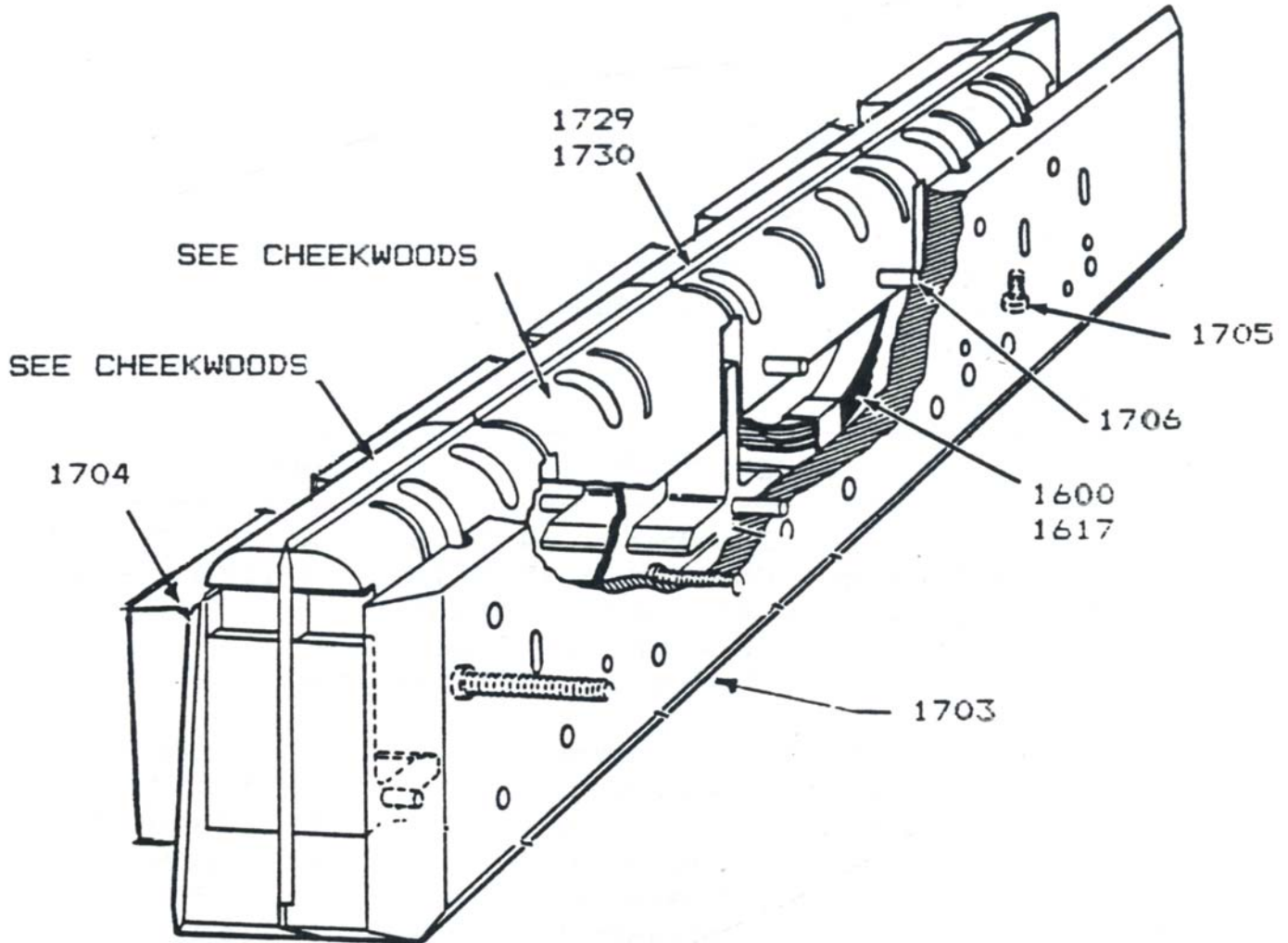
FOLDER: CUTTING CYLINDER



PIN SHAFT ASSEMBLY • 2:1

STOCK NO.	DESCRIPTION	GOSS PART NO.
1707	Collect Pin (Standard)	A-009563-0002
1708	Collect Pin Holder	B-047169-0005
1709	Pin Holder Shim	A-011732-0001
1709-A	Pin Holder Shim	A-011732-0002
1710	Pin Holder Screw	B-107243-0001
1711	Pin Lever - RH (17-5553)	B-033022-0000
1712	Pin Lever - LH (17-5552)	B-033022-0000
1714	Bushing	B-104379-0000
1715	Pin Cam Follower	B-121705-0002
1834-1	Collect Pin Holder	B-017169-0008
1834-2	Collect Pin Holder	B-047169-0013
1875	Spacer	B-104124-0001
1876	Collar	B-117625-0000
1877	Pin Shaft - 14-1/2" Press	C-021662-0002
1878	Pin Shaft - 15" Press	C-021662-0001
1879	Collect Pin Holder	B-047169-0006
1880	Pin Cam Lever (17-6490)	B-043243-0000
2061	Collect Pin (Long)	A-011943-0001

FOLDER: CUTTING CYLINDER



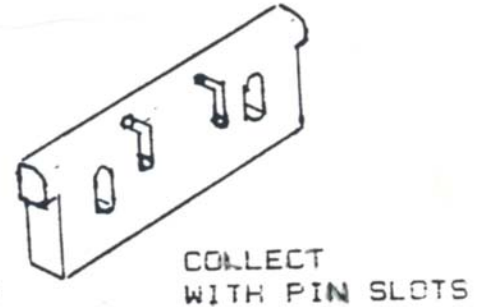
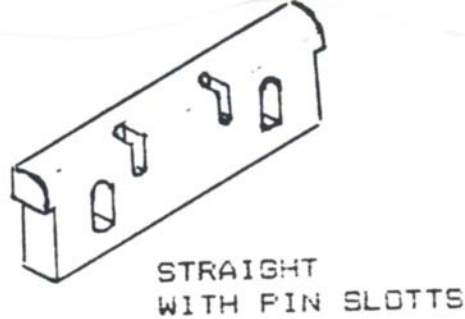
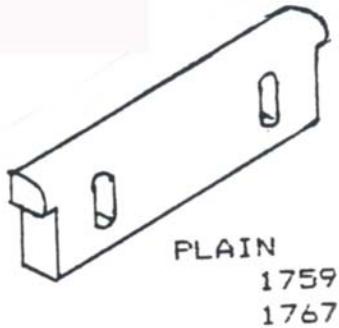
KNIFE BAR ASSEMBLY • 2:1

STOCK NO.	DESCRIPTION	GOSS PART NO.
1703	Knife Bar Assembly - 60" Web	ER-015101-0000
1704	Knife Bar Wedge	C-028823-0001
1705	Knife Adjusting Screw	AR-002213-0001
1706	Cushion Guide Pin	A-0009807-0001
1747	Knife - 4-1/4"	B-104625-0001
1748	Knife - 5-1/4"	B-104653-0001
1600	Spring (9 Leaf)	B-097242-0001
1617	Spring (17 Leaf)	C-082630-0001

www.a-americanpressparts.com

Check our website for updates!

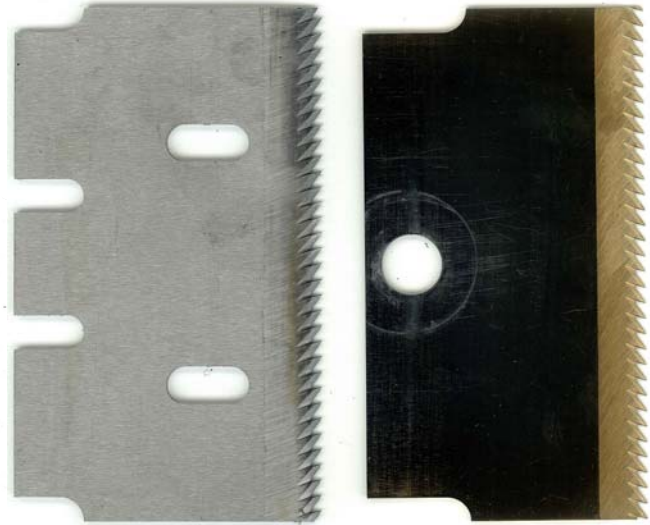
FOLDER: CUTTING CYLINDER



CHEEKWOODS • 2:1

STOCK NO.	DESCRIPTION	GOSS PART NO.
1759	Plain Straight Cheekwood (4-3/16)	B-113808-0001
1767	Plain Straight Cheekwood (5/3/16)	B-1138089-0001
1792	Plain Collect Cheekwood (4-3/16)	
1738	Plain Collect Cheekwood (5-3/16)	
1654	Plain Straight Cheekwood (4-3/16)(Plastic)	
1773	Collect Slotted Cheekwood	B-113846-0001
1774	Collect Slotted Cheekwood	B-113847-0001
1775	Collect Slotted Cheekwood	B-113848-0001
1776	Collect Slotted Cheekwood	B-113849-0001
1778	Collect Slotted Cheekwood	B-113849-0005
1782	Collect Slotted Cheekwood	B-116062-0001
1780	Collect Slotted Cheekwood	B-116062-0009
1760	Straight Slotted Cheekwood	B-113842-0001
1761	Straight Slotted Cheekwood	B-113843-0001
1762	Straight Slotted Cheekwood	B-113844-0001
1763	Straight Slotted Cheekwood	B-113845-0001
1765	Straight Slotted Cheekwood	B-113855-0005
1768	Straight Slotted Cheekwood	B-116035-0009
1771	Straight Slotted Cheekwood	B-116035-0013
1764-1	Collect Cheekwood - Set (55" Web)	
1764-2	Collect Cheekwood - Set (56" Web)	
1764-3	Collect Cheekwood - Set (57" Web)	
1764-4	Collect Cheekwood - Set (58" Web)	
1764-5	Collect Cheekwood - Set (60" Web)	
1777-1	Straight Cheekwood - Set (55" Web)	
1777-2	Straight Cheekwood - Set (56" Web)	
1777-3	Straight Cheekwood - Set (57" Web)	
1777-4	Straight Cheekwood - Set (58" Web)	
1777-5	Straight Cheekwood - Set (60" Web)	

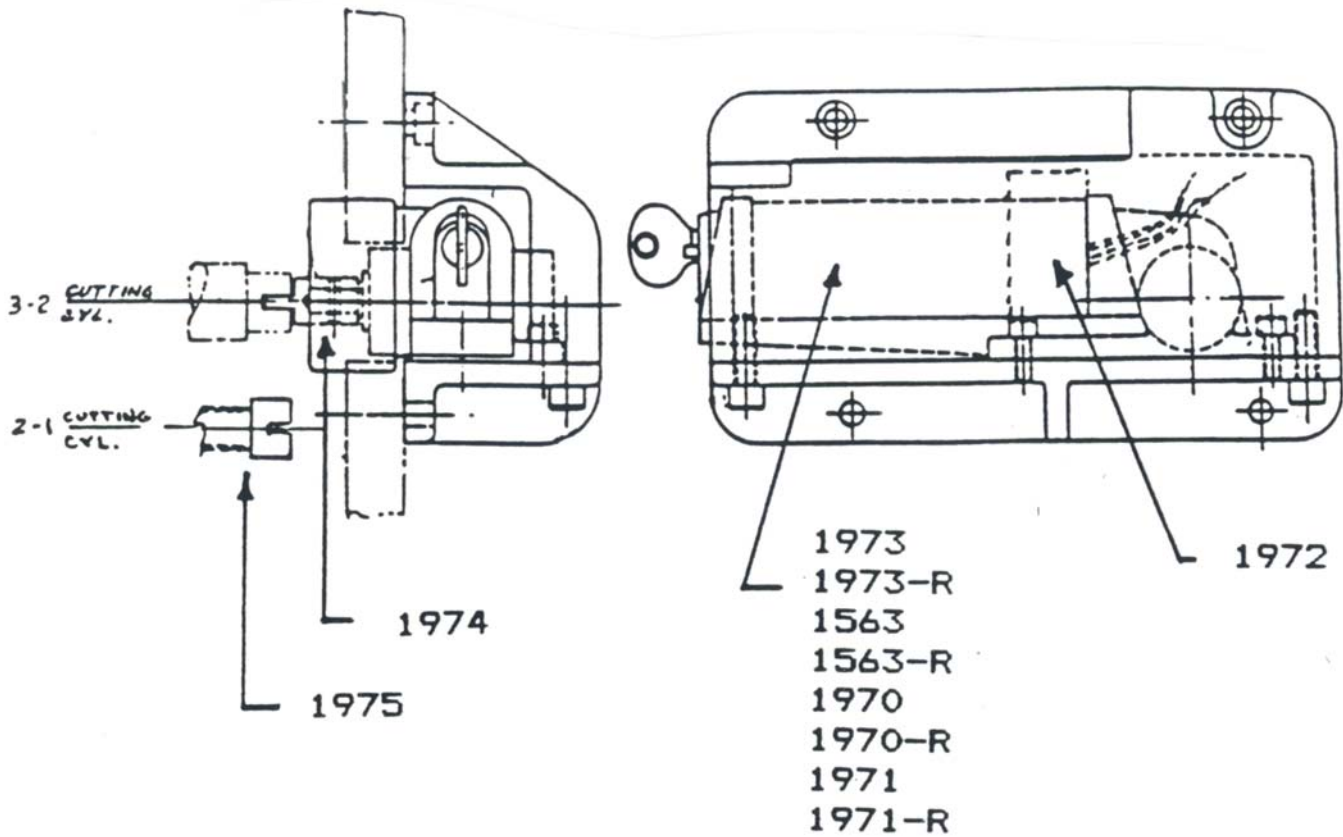
FOLDER: CUTTING CYLINDER



FOLDER CUTTING KNIVES

STOCK NO.	DESCRIPTION	GOSS PART NO.
1795	Knife - Chromed Hardened Steel	B-097597-0001
1742	Knife - Chromed Hardened Steel	B-0104419-0001
1742-1PC	1-Pc Knife - Chromed Hardened Steel	
1745	Knife - Chromed Hardened Steel	B-104650-0001
1745-1PC	1-Pc Knife - Chromed Hardened Steel	
1745-1PS	1-Pc Knife - Chromed Hardened Steel (Straight Tooth)	
1746	Knife - Chromed Hardened Steel	B-104651-0001
1747	Knife - Chromed Hardened Steel	B-104652-0001
1748	Knife - Chromed Hardened Steel	B-104653-0001
1749	Knife - Chromed Hardened Steel	B-108955-0001
1750	Knife - Chromed Hardened Steel	B-128396-0001
1750-1PC	1-Pc Knife - Chromed Hardened Steel	
1750-1PT	1-Pc Knife - Chromed Hardened Steel (Tin Coated)	
1750-STR	1-Pc Knife - Chromed Hardened Steel (Straight Tooth)	
1751	Knife - Chromed Hardened Steel	B-128627-0001
1751-00T	Knife - Chromed Hardened Steel (Tin Coated)	
1751-1PC	1-Pc Knife - Chromed Hardened Steel	
1751-1PT	1-Pc Knife - Chromed Hardened Steel (Tin Coated)	
1751-1PF	1-Pc Knife - Chromed Hardened Steel (Fine Toothed)	
1796	Knife - Chromed Hardened Steel	B-135235-0001
2066	Knife for 160 Page Folder	C-115105-0001
2066-00T	Knife for 160 Page Folder (Tin Coated)	

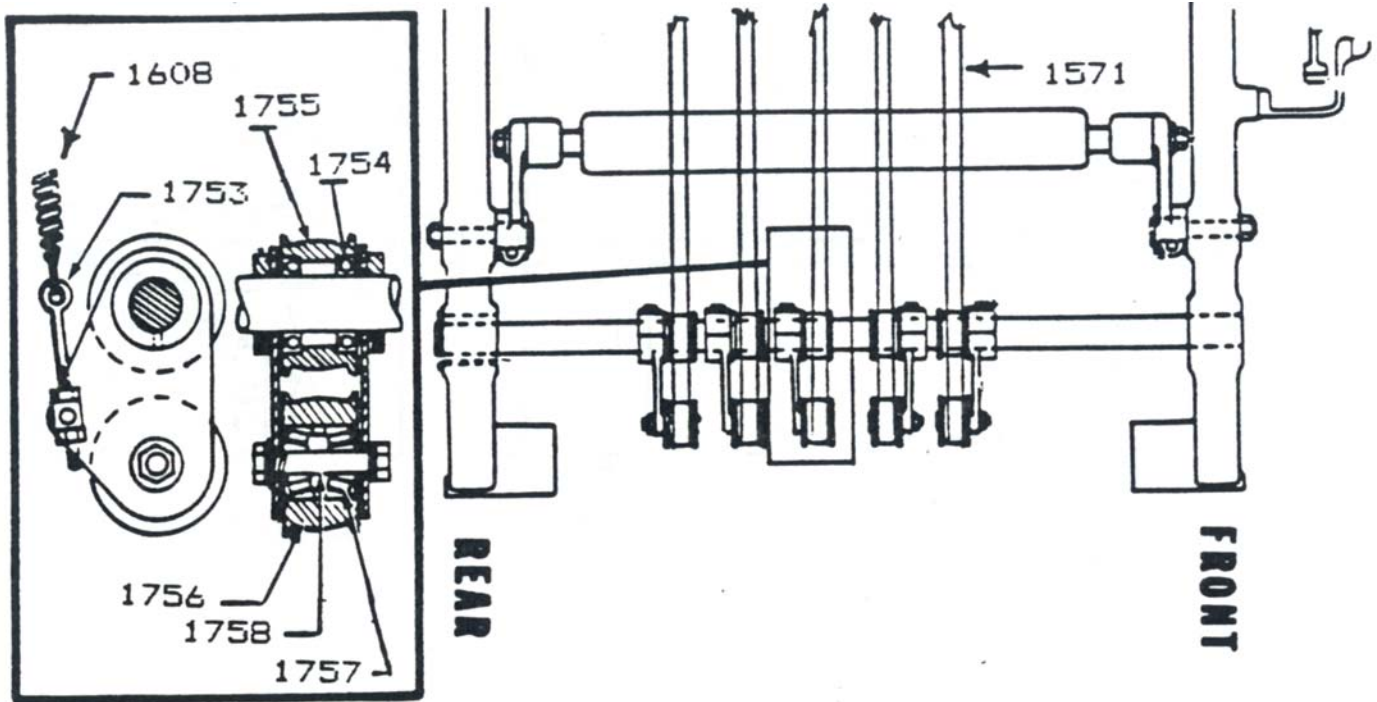
FOLDER: CUTTING CYLINDER



COUNTER • 2:1 & 3:2 FOLDER

STOCK NO.	DESCRIPTION	GOSS PART NO.
1973	3:2 Counter - w/o Relay	D-035410-0001
1973-R	Rebuilt 3:2 Counter - w/o Relay	
1563	3:2 Counter - w/ Relay	
1563-R	Rebuilt 3:2 Counter - w/ Relay	
1970	2:1 Counter - w/o Relay	
1970-R	Rebuilt 2:1 Counter - w/o Relay	
1971	2:1 Counter - w/ Relay	
1971-R	Rebuilt 2:1 Counter - w/ Relay	
1972	Relay	B-124809-0001
1974	Sleeve	
1975	Bolt	

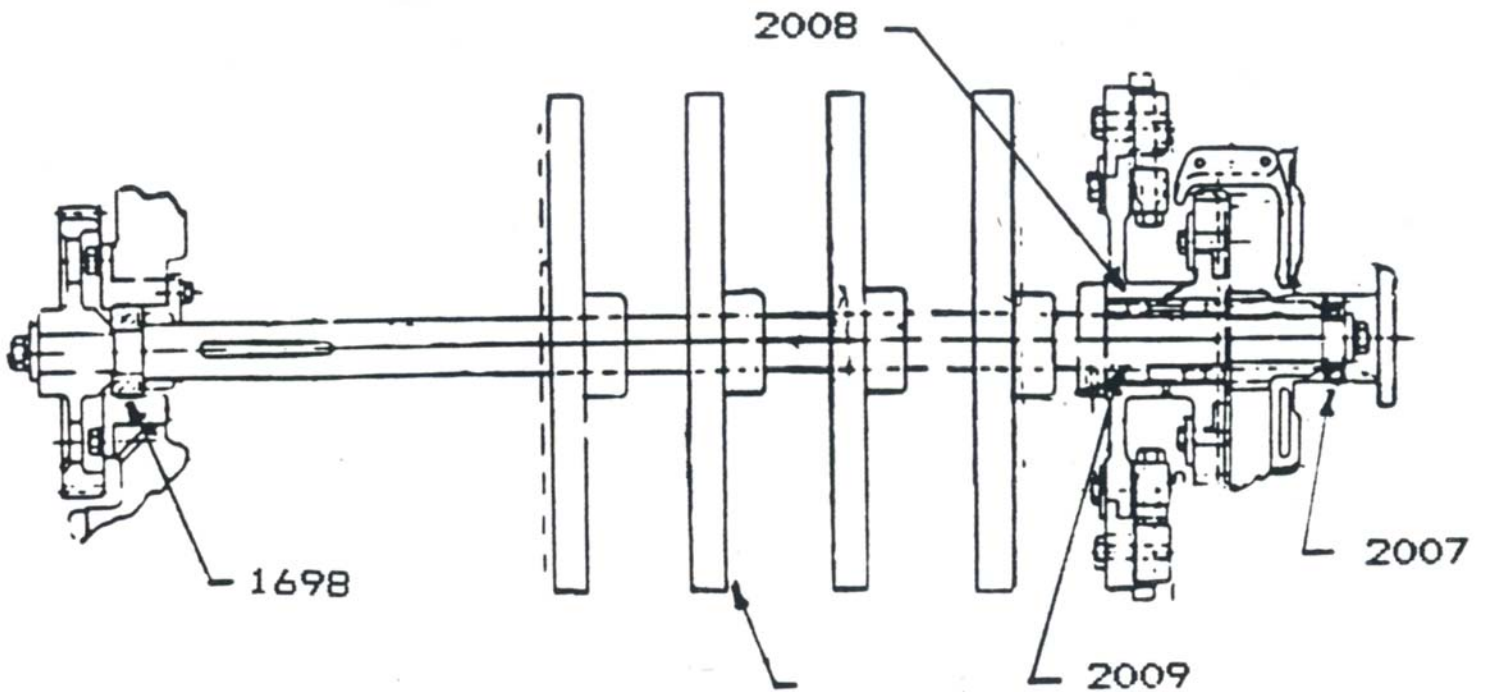
FOLDER: DELIVERY SYSTEM



DELIVERY FLY ASSEMBLY

STOCK NO.	DESCRIPTION	GOSS PART NO.
1571	Delivery Belt - 1-1/4" W	723725-0050
1608	Delivery Belt Spring	B-105304-0001
1753	Spring Eye Bolt	B-112850-0001
1754	Pully Bearing	722605-0249
1755	Pully	B-113705-0001
1756	Pully	B-113706-0001
1757	Pully Bearing	B-113766-0001
1758	Shaft	B-113707-0001
1784	Delivery Belt - 1-1/4" W	723700-0016

FOLDER: FOLDING CYLINDER



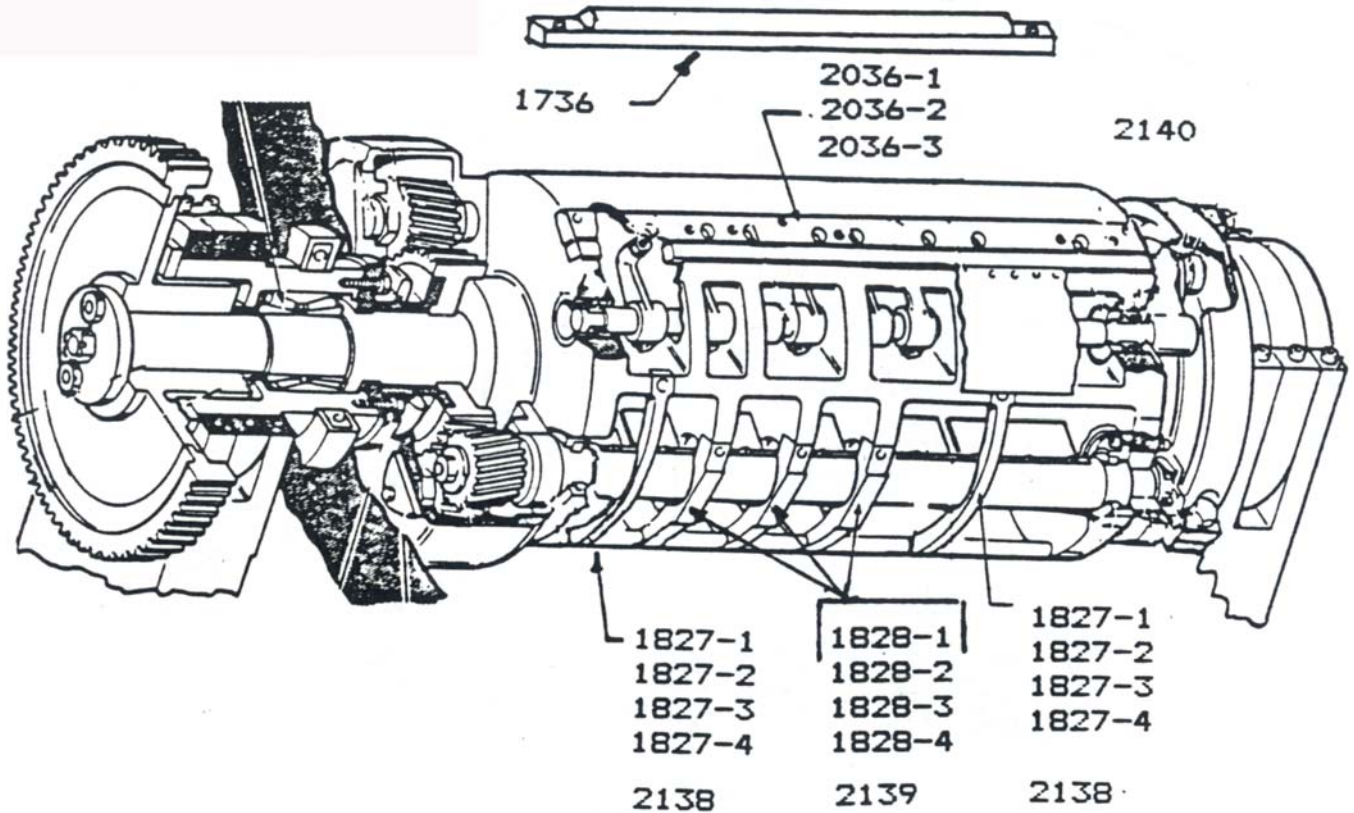
BUCKETS • 2:1 FOLDER

STOCK NO.	DESCRIPTION	GOSS PART NO.
1698	Bearing	C-040108-5208
2007	Bearing	C-040102-6208
2008	Bearing	722657-0236
2009	Bearing	722657-0281

www.a-americanpressparts.com

Check our website for updates!

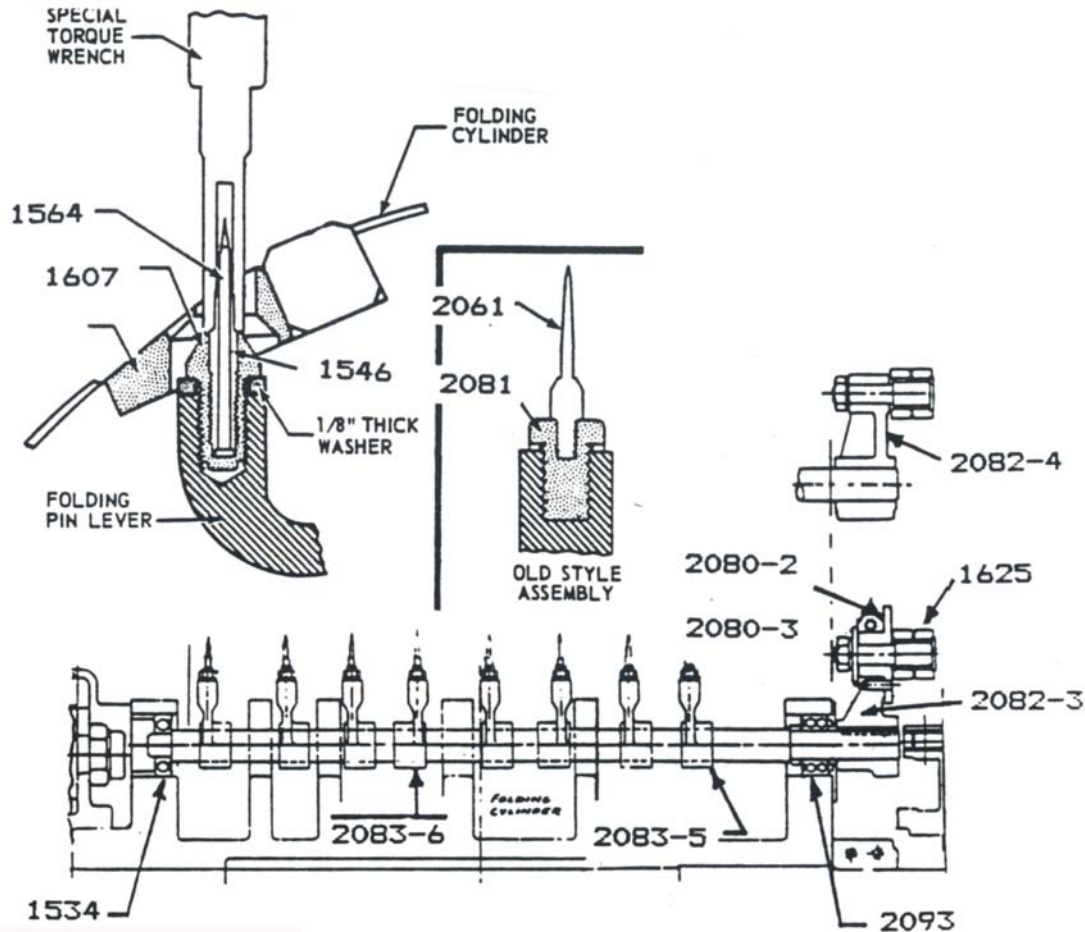
FOLDER: FOLDING CYLINDER



FOLDING CYLINDER & BANS • 2:1 FOLDER

STOCK NO.	DESCRIPTION	GOSS PART NO.
1736	Crout Bar	B-066029-0001
2036-1	Gib Plate - 60" Web	
2036-2	Gib Plate - 58" Web	
2036-3	Gib Plate - 56" Web	
1827-1	Bridge - 570 Cylinder, 15" Press	C-045372-0000
1827-2	Bridge - 570 Cylinder, 14-1/2" Press	C-045366-0000
1827-3	Bridge - 571 Cylinder, 15" Press	C-045374-0000
1827-4	Bridge - 571 Cylinder, 14-1/2" Press	C-045367-0000
1828-1	Bridge - 570 Cylinder, 15" Press	C-045370-0000
1828-2	Bridge - 570 Cylinder, 14-1/2" Press	C-045365-0000
1828-3	Bridge - 571 Cylinder, 15" Press	C-045373-0000
1828-4	Bridge - 571 Cylinder, 14-1/2" Press	C-045364-0000
2138	Bridge	C-084997-0001
2139	Bridge	C-084995-0001
2140	Bands	B-137414-0001

FOLDER: FOLDING CYLINDER



FOLDING PIN ASSEMBLY • 2:1

STOCK NO.	DESCRIPTION	GOSS PART NO.
1534	Bearing	C-040102-6304
1546	Pin Holder	B-111843-0002
1564	Folding Pin	B-011844-0001
1601	Pin Adapter	B-103589-0000
1625	Cam Follower	B-148421-0001
2061	Folding Pin	A-011943-0001
2080-2	Bushing - Eccentric	B42560-12-1649
2080-3	Washer - Eccentric	AR-007173-0001
2081	Adapter	AR-002177-0001
2082-2	Cam Follower Lever - Adjustable	B42966-17-6433
2082-4	Cam Follower Lever - Solid	B42967-17-6449
2083-5	Pin Lever (RH)	C-082422-0001
2083-6	Pin Lever (LH)	C-082422-0002
2093	Bearing	C-040108-5205

FOLDER: FOLDING CYLINDER



FOLDING PINS • 2:1, 3:2 & REGENT

STOCK NO.	DESCRIPTION	GOSS PART NO.
1564	Folding Pin	B-111844-0001
1707	Collect Pin	A-009563-0002
2061	Folding Pin / Collect Pin	A-011943-0001

FOLDER: PIN HOLDER OR ADAPTER

2:1 & 3:2 FOLDERS

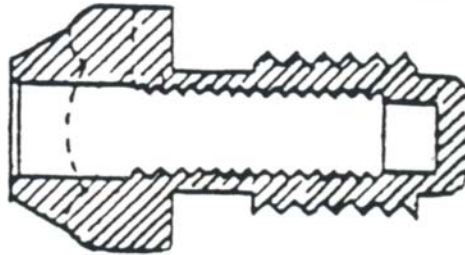


STOCK NO.	DESCRIPTION	GOSS PART NO.
1546	Pin Holder	B-111843-0002



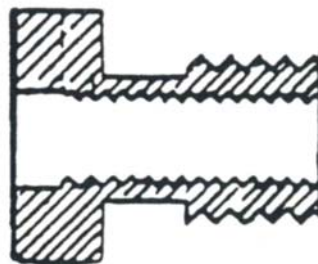
GREENSTREAK 160 PAGE FOLDER

STOCK NO.	DESCRIPTION	GOSS PART NO.
1823	Pin Holder	B-111843-0000



2:1 FOLDER

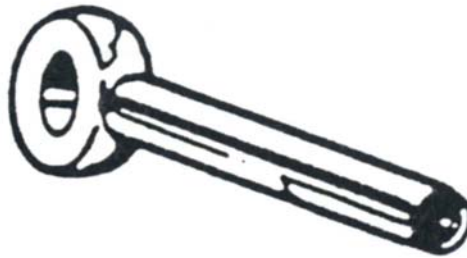
STOCK NO.	DESCRIPTION	GOSS PART NO.
1601	Pin Adapter	B-103589-0001



REGENT - OLD STYLE 2:1 FOLDER

STOCK NO.	DESCRIPTION	GOSS PART NO.
2061	Pin Adapter	AR-002177-0001

FOLDER: PIN POST



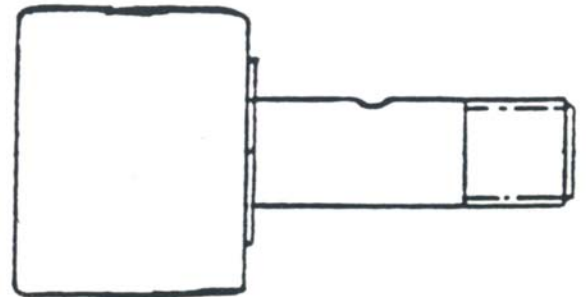
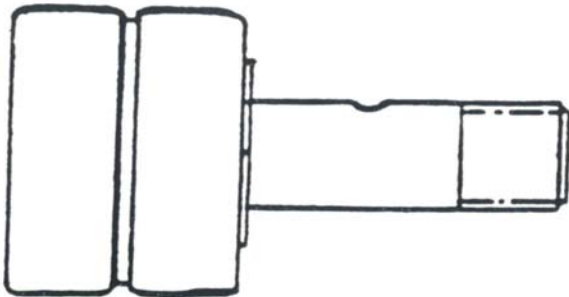
PIN POST

STOCK NO.	DESCRIPTION	GOSS PART NO.
1636	Pin Post	C-066506-0001
1637	Pin Post	C-066505-0001
1708	Pin Post	B-047169-0005
1834-1	Pin Post	B-047169-0008
1834-2	Pin Post	B-047169-0013
1834-3	Pin Post	B-047169-0004
1834-4	Pin Post	B-047169-0014
1834-5	Pin Post	B-047169-0016
1879	Pin Post	B-047169-0006



1-888-434-0888
TOLL FREE

FOLDER: CAM FOLLOWERS



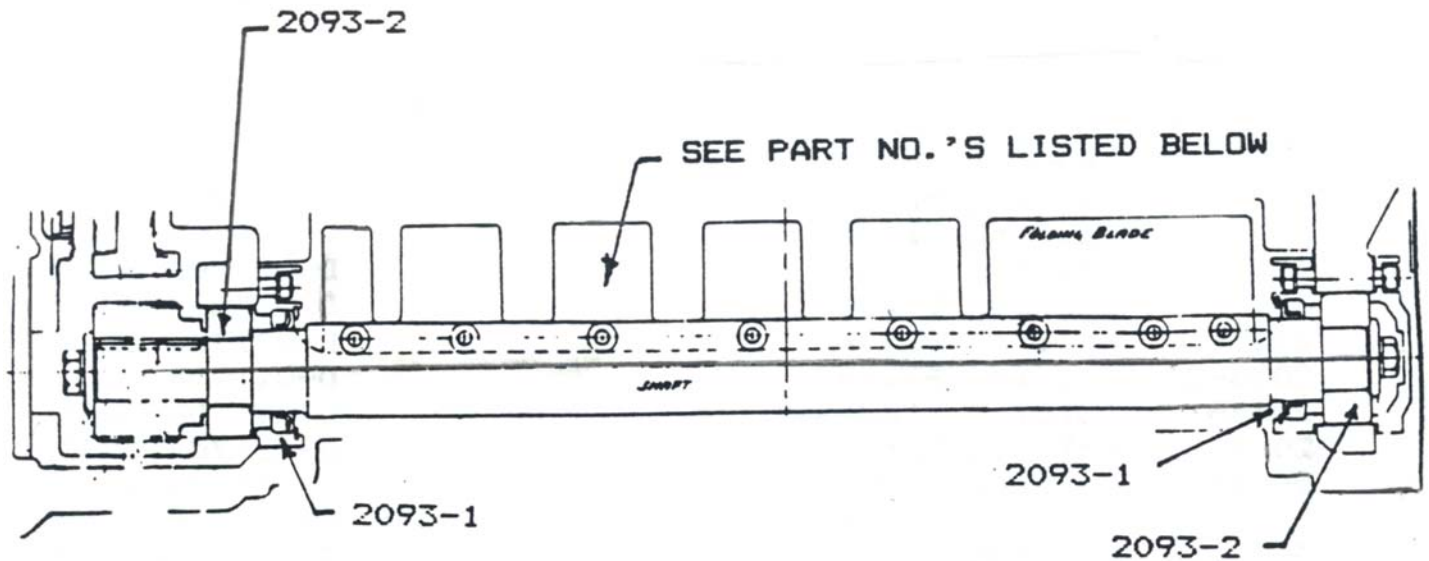
CAM FOLLOWERS • 2:1, 3:2 & REGENT

STOCK NO.	DESCRIPTION	GOSS PART NO.
1625	Cam Roller & Stud (nova chromed)	B-148421-0001
1625-1	Cam Roller & Stud	B-148421-0002
1715	Cam Roller & Stud	B-121705-0002

www.a-americanpressparts.com

Check our website for updates!

FOLDER: FOLDING CYLINDER



FOLDING CYLINDER BLADE ASSEMBLY • 2:1

STOCK NO.	DESCRIPTION	GOSS PART NO.
1810	Folding Blade	C-045368-0013
1811	Folding Blade	C-045368-0015
1812	Folding Blade	C-045368-0005
2093-1	Oil Seal	
2093-2	Bearing	C-040108-5207
2096-1	Folding Blade	C-034980-0000
2096-2	Folding Blade	C-034981-0000
2096-3	Folding Blade	C-038826-0000
2096-4	Folding Blade	C-039834-0000
2096-5	Folding Blade	C-045376-0000

FOLDER: FOLDING CYLINDER



PROFILE FOLDING BLADE • 3:2

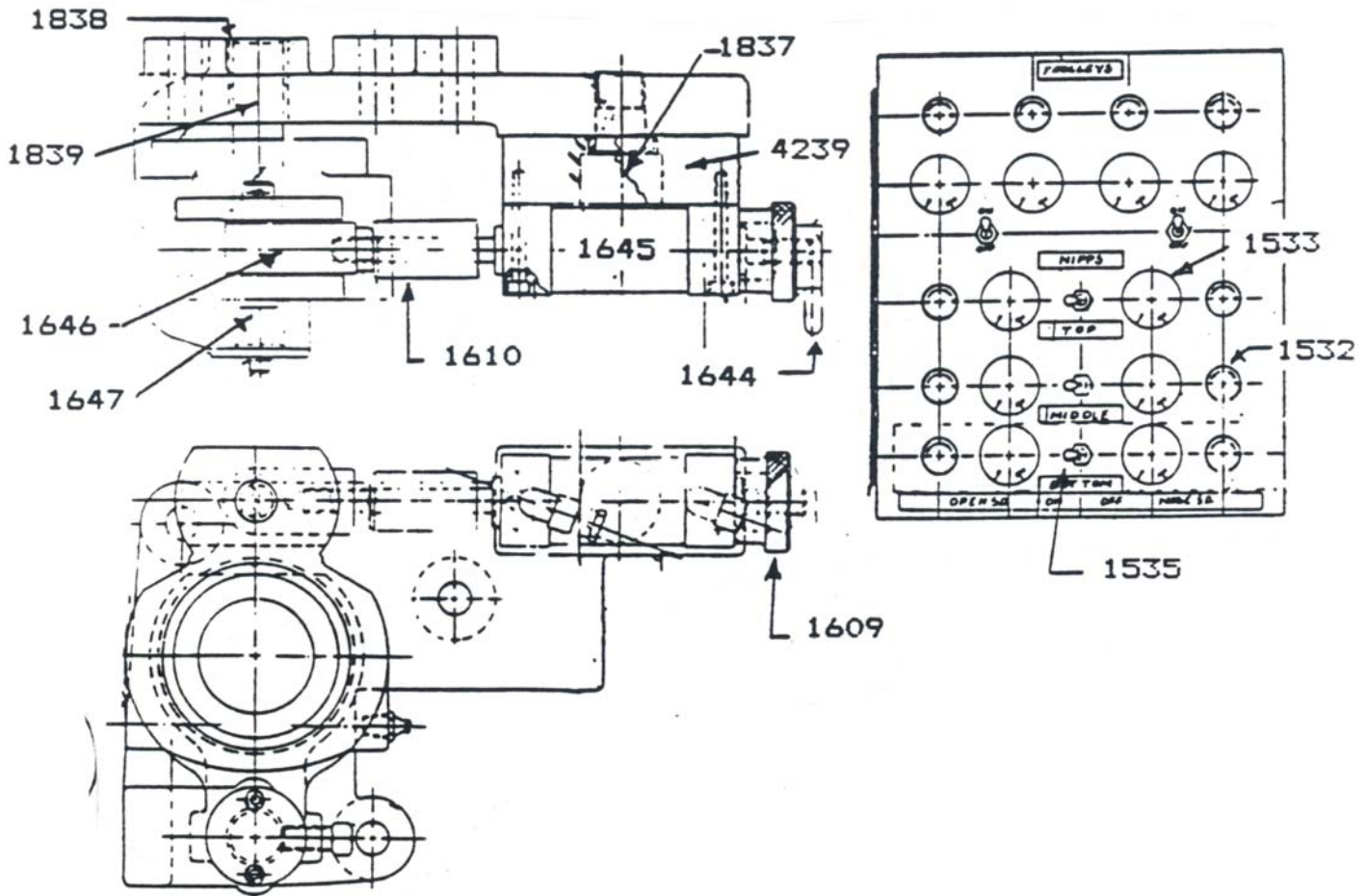
STOCK NO.	DESCRIPTION	GOSS PART NO.
1820-1	Folding Blade	D-021705-0005
1820-2	Folding Blade	D-021705-0007
1820-3	Folding Blade	D-021705-0008
1821	Folding Blade	D-035694-0001
2033-1	Folding Blade	D-021705-0001
2033-2	Folding Blade	D-021704-0003
2033-3	Folding Blade	D-021704-0005
2033-4	Folding Blade	D-021704-0007
2033-5	Folding Blade	D-021704-0009
2033-6	Folding Blade	D-021704-0013
2033-7	Folding Blade	D-021704-0022
2033-8	Folding Blade	D-021704-0100
2033-9	Folding Blade	D-021704-



FOLDING BLADE • FLAT TYPE • 2:1 & 3:2

STOCK NO.	DESCRIPTION	GOSS PART NO.
1810	Folding Blade	C-045369-0013
1811	Folding Blade	C-045369-0015
1812	Folding Blade	C-045369-0005
1812-1	Folding Blade	C-045369-0003
2025-1	Folding Blade	C-053457-0022
2025-2	Folding Blade	C-063113-0001
2096-1	Folding Blade	C-034980-0000
2096-2	Folding Blade	C-034981-0000
2096-3	Folding Blade	C-038826-0000
2096-4	Folding Blade	C-039384-0000
2096-5	Folding Blade	C-045376-0000
2096-6	Folding Blade	C-054631-0002
2096-7	Folding Blade	C-060898-0001
2096-8	Folding Blade	C-021554-0007
2096-9	Folding Blade	D-037764-0001

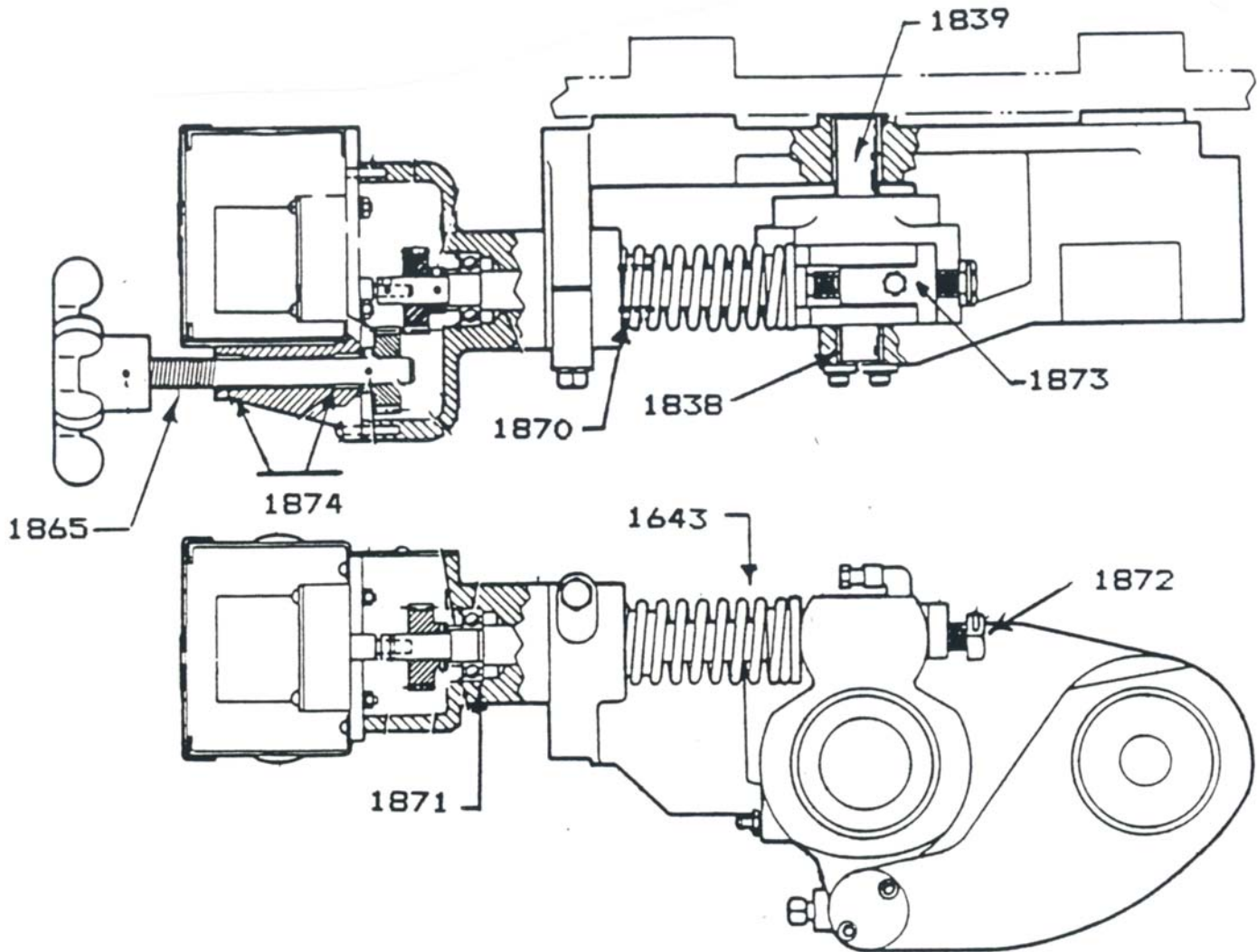
FOLDER: NIPPING SYSTEM



PNEUMATIC NIPPING SYSTEM • 2:1

STOCK NO.	DESCRIPTION	GOSS PART NO.
1532	Regulator	882704-0046
1533	Pressure Gage (0-100 lbs.)	B-147222-0001
1535	Switch	920512-0050
1609	Knurled Nut	B-139696-0001
1610	Sleeve	B-148141-0001
1644	Lever Type Lock	B-139697-0001
1645	Air Cylinder	C-100863-0001
1646	Clevis	B-139698-0001
1647	Clevis Pin	863308-5016
1837	Cam Follower	766509-1035
1838	Bearing	729457-0177
1839	Nip Roller Bracket Stud	A-010465-0001
4239	Mounting Block	B-139695-0001

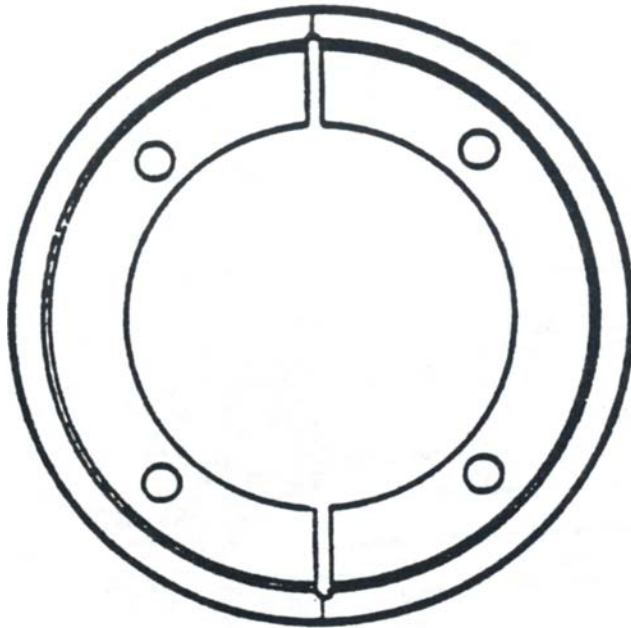
FOLDER: NIPPING SYSTEM



ELECTRICAL NIPPING SYSTEM • 2:1 & 3:2

STOCK NO.	DESCRIPTION	GOSS PART NO.
1643	Springs	A-005083-0001
1838	Bushings	729457-0177
1839	Nip Roller Bracket Stud	A-010465-0001
1865	Spring	897009-4901
1870	Bearing	729457-0176
1871	Bearing	C-040104-6202
1872	Adjusting Shaft	B-149384-0001
1873	Adjusting Nut	B-149372-0001
1874	Sint. Bronze Bearing	C-040075-1104

FOLDER: NIPPING SYSTEM



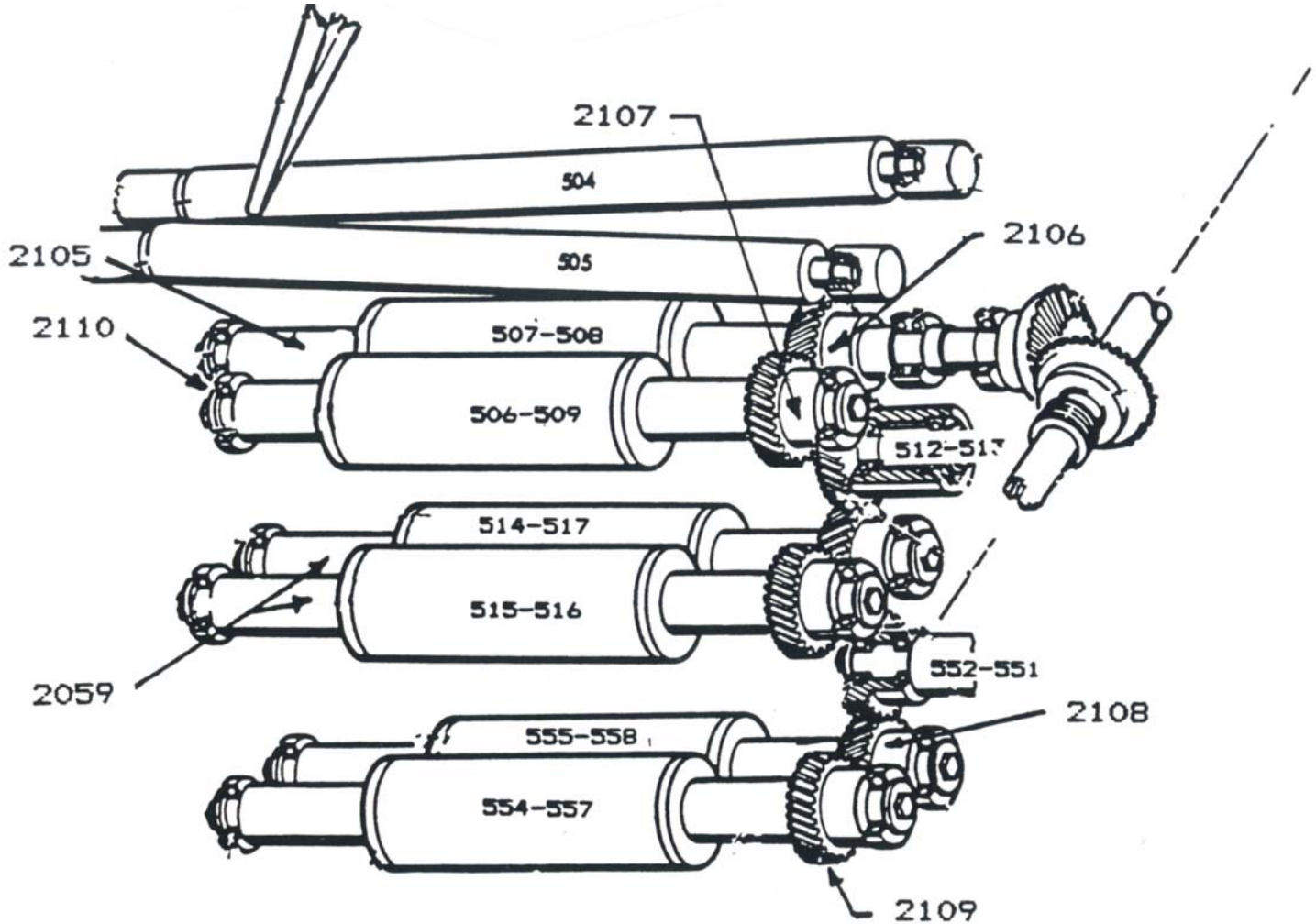
NIPPING RINGS • 2:1 & 3:2

STOCK NO.	DESCRIPTION	GOSS PART NO.
2055-001	Nip ring - 4.430 OD	C-101116-0001
2055-002	Nip ring - 4.458 OD	C-101116-0002
2069	Nip ring - 5.523 OD	C-085212-0004
2574-001	Nip ring - 4.478 OD	C-113639-0001
2575-001	Nip ring - 6.128 OD	C-113638-0001
2347	Nip ring - 4.552 OD	C-122178-0001
2347-002	Nip ring - 4.539 OD	C-122178-0002
2347-003	Nip ring - 4.578 OD	C-122178-0003
2348	Nip ring - 6.2078 OD	D-048395-0001
2348-002	Nip ring - 6.118 OD	D-048395-0002
1788	Nip ring - 4.440 OD	C-085210-0001
1538	Nip ring - 4.451 OD	C-085210-0004
1789	Nip ring	C-085210-0005
1542	Nip ring - 5.562 OD	C-085210-0006
1557	Nip ring - 4.478 OD	C-085210-0007
1540	Nip ring - 4.505 OD	C-085210-0010
1653	Nip ring - 6.157 OD	C-085211-0005
1558	Nip ring - 6.120 OD	C-085211-0007

**** ALL SIZE NIP RINGS AVAILABLE ****

***** ALL AVAILABLE CHROMED *****

FOLDER: NIPPING SYSTEM



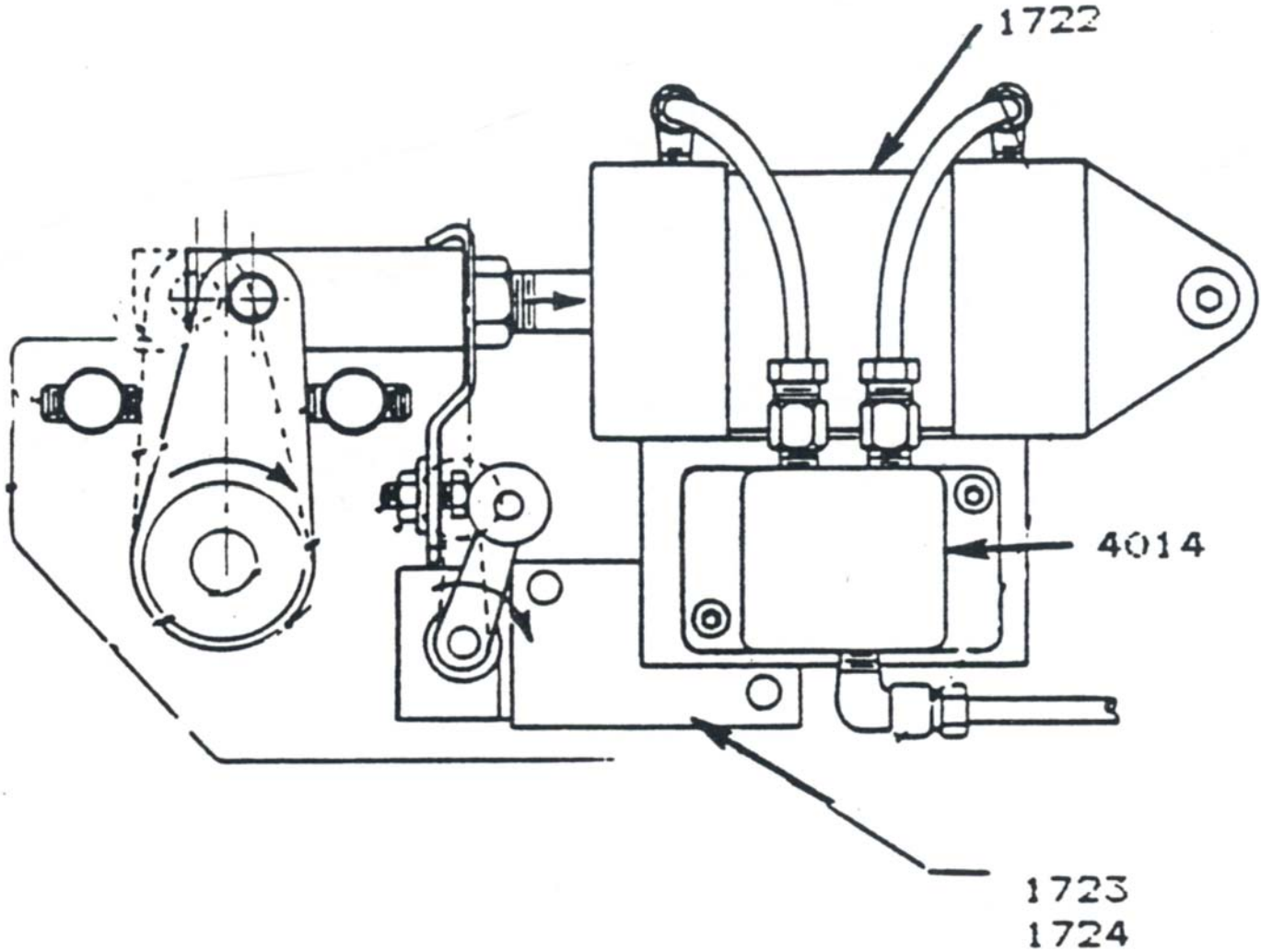
NIP DRIVE GEARS & SHAFT • 2:1

STOCK NO.	DESCRIPTION	GOSS PART NO.
2059	Nip Shaft - CTR 514 To 517 incl.	C-034311-0001
2105	Nip Shaft - CTR 507-508	C-034310-0001
2106	Nip Gear - CTR 507-508, 515-516	B-061634-0001
2107	Nip Gear - CTR 506-509, 514-517	B-061635-0001
2108	Nip Gear - CTR 555-558	B-102874-0001
2109	Nip Gear - CTR 554-557	B-061635-0000
2110	Bearing	C-040102-6207

www.a-americanpressparts.com

Check our website for updates!

FOLDER: PNEUMATIC SYSTEM



PNEUMATIC FOLDER CLUTCH

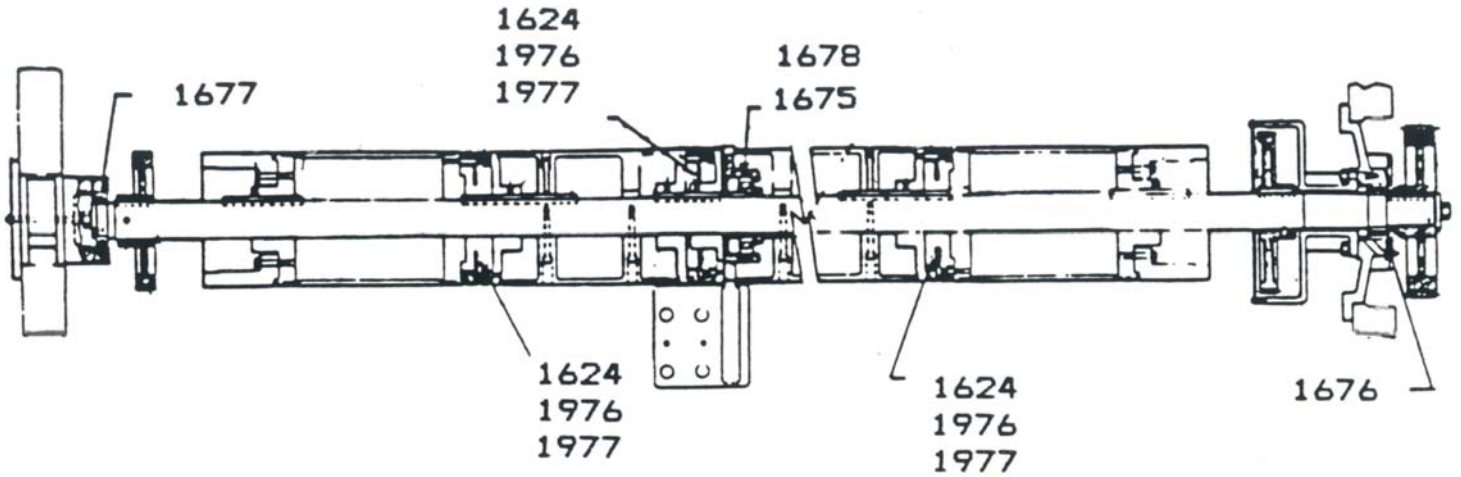
STOCK NO.	DESCRIPTION	GOSS PART NO.
1722	Air Cylinder	B-116658-0006
1723 *	Limit Switch	899751-8235
1724 +	Limit Switch	899751-8354
4014	Solenoid	B-117295-0001

* PRE PRESS NO. 3177
 + POST PRESS NO. 3177

www.a-americanpressparts.com

Check our website for updates!

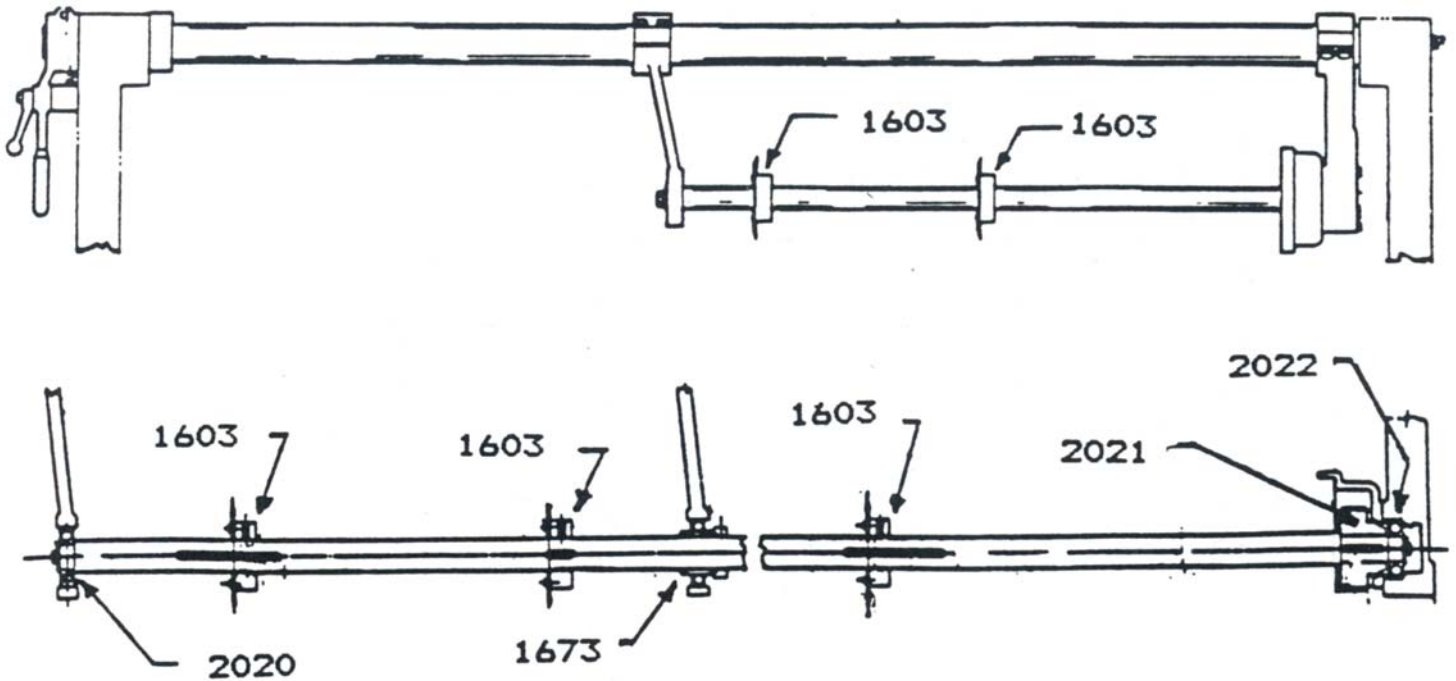
FOLDER: ROLLER TOP OF FORMER



ROLLER TOP OF FORMER (RTF) 2:1 & 3:2 FOLDER

STOCK NO.	DESCRIPTION	GOSS PART NO.
1513	Slitter Scraper	A-008158-0001
1565	Tab Slitter Bracket	B-142471-0001
1624	Slitter Anvil	B-138454-0001
1674	Center Slitter Bracket	B-108282-0001
1675	Bearing	C-040120-0215
1676	Bearing	C-040108-5211
1677	Bearing	C-040102-6211
1678	Adapter	C-040122-1524
1976	Slitter Anvil	B-108331-0001
1977	Slitter Anvil	C-094665-0001

FOLDER: SLITTER SYSTEM

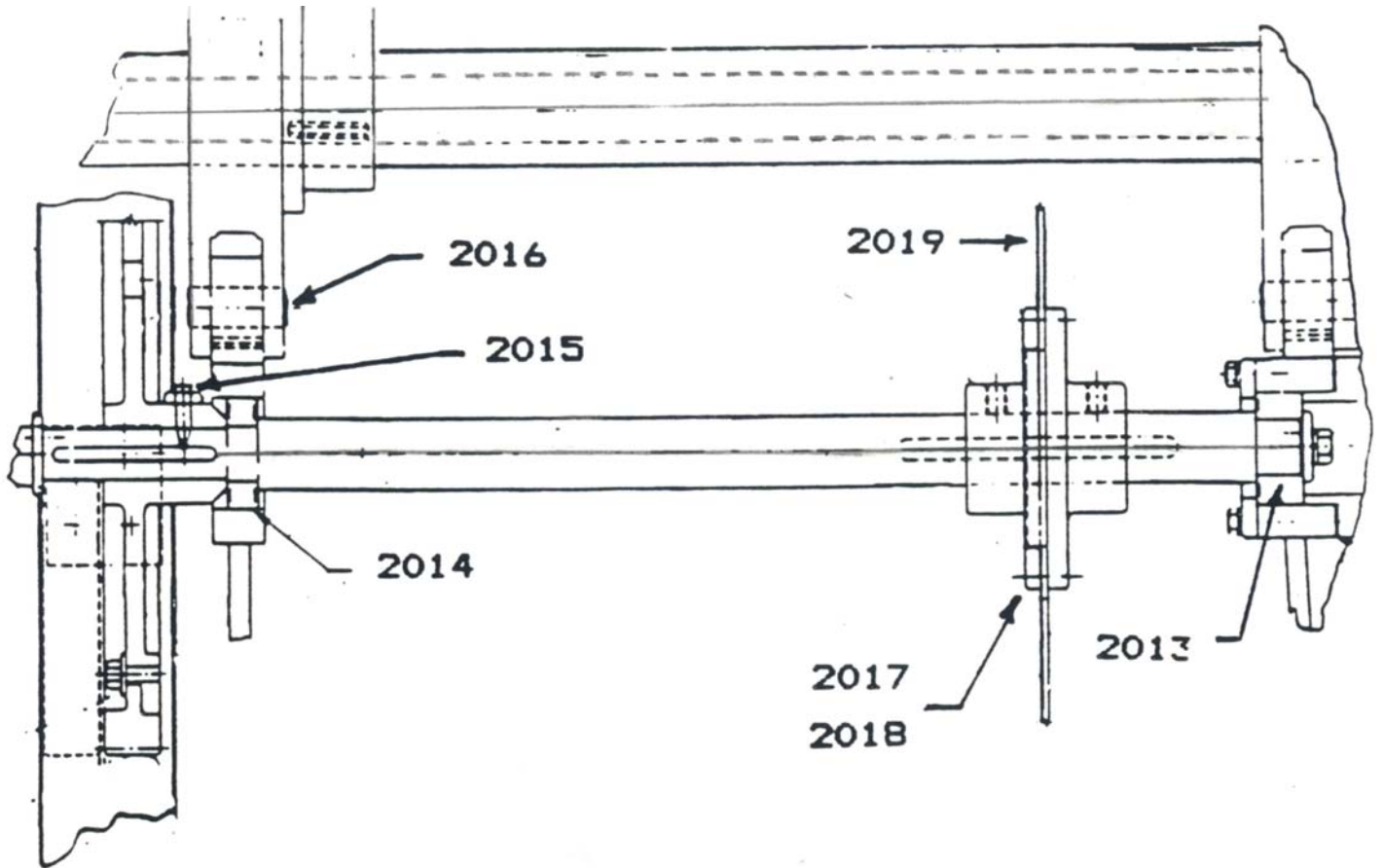


SLITTER SHAFT & DRIVE • NEW STYLE/ WITH PNEU TROLLEY

STOCK NO.	DESCRIPTION	GOSS PART NO.
1603	Slitter Hub	B-139222-0001
1673	Bearing	722605-0019
2020	Bearing	C-040105-6306
2021	Gear	C-064749-0001
2022	Bearing	C-040103-6306

www.a-americanpressparts.com
 Check our website for updates!

FOLDER: : SLITTER SYSTEM



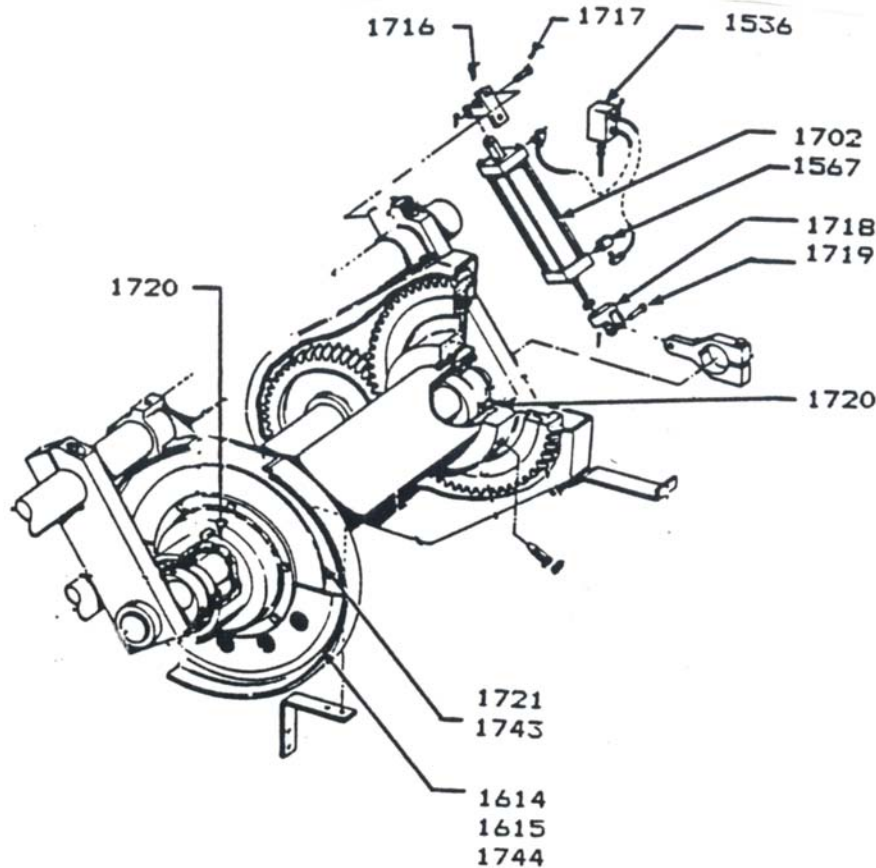
MANUAL SKIP SLITTER

STOCK NO.	DESCRIPTION	GOSS PART NO.
2013	Bearing	722605-0167
2014	Bearing	722605-0565
2015	Lock Screw	AR-001267-0001
2016	Pin	A-011051-0001
2017	Split Plate	B-130781-0001
2018	Plate (One Piece)	B-113072-0001
2019	Filler	B-113110-0001

www.a-americanpressparts.com

Check our website for updates!

FOLDER: PNEUMATIC SYSTEM



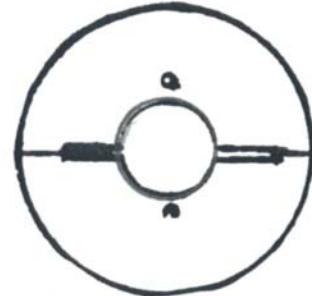
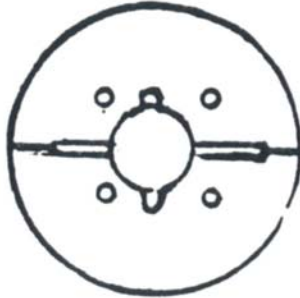
PNEUMATIC SKIP SLITTER ASSEMBLY • 2:1

STOCK NO.	DESCRIPTION	GOSS PART NO.
1536	Air Switch	899700-8114
1567	Flow Control Switch	920520-0030
1614 *	Skip Slitter	C-088221-0001
1615 *	Skip Slitter	B-138030-0001
1702	Air Cylinder	739902-0131
1716	Clevis Bracket	B-139779-0001
1717	Clevis Pin	863308-2512
1718	Clevis	B-139778-0001
1719	Clevis Pin	863308-5014
1720	Bearing	722605-0617
1721 *	Filler Segment	B-138031-0001
1743 +	Filler Segment	B-139431-0001
1744 +	Skip Slitter	C-088697-0001

* 13-11/16" to 14-1/2" PRESS

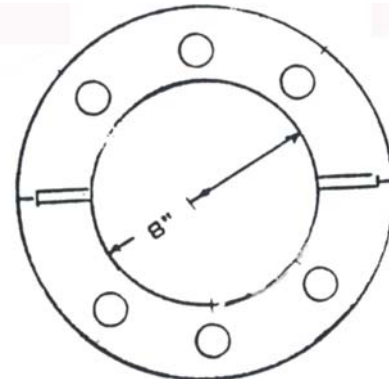
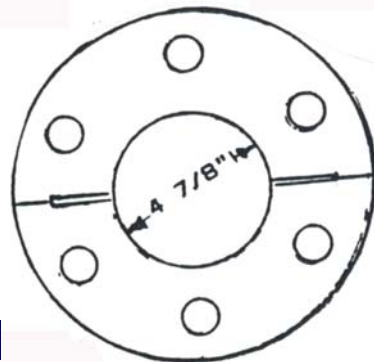
+ 15" PRESS

FOLDER: SLITTER SYSTEM



ROLLER TOP OF FORMER SLITTERS

STOCK NO.	DESCRIPTION	GOSS PART NO.
1528	Split Slitter - 5.725 Dia.	B-112217-0001
1514	Split Slitter - 5.750 Dia.	B-139223-0001
1523	Split Slitter - 5.875 Dia.	B-146967-0001
1662	Split Slitter - 5.843 Dia.	B-112217-0003
1681	Split Slitter - 5.750 Dia.	B-128909-0001

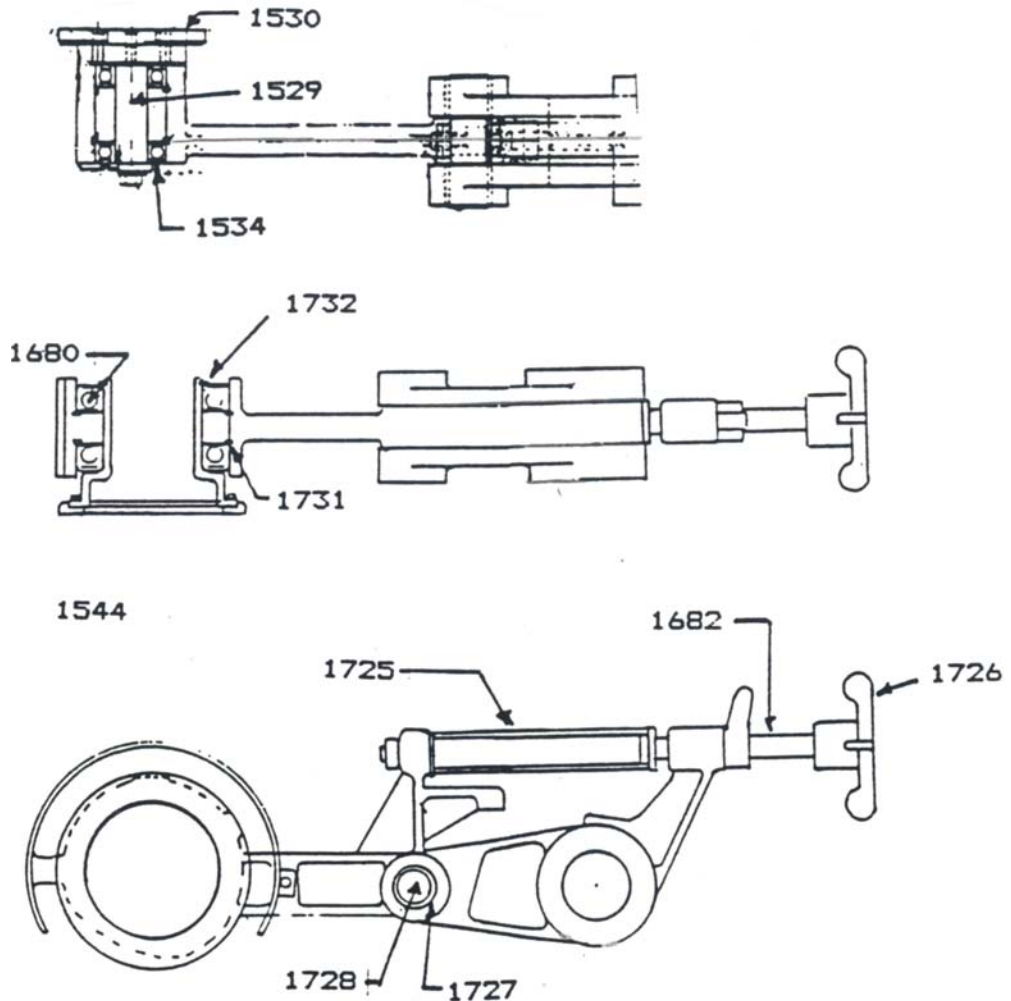


SKIP SLITTERS

STOCK NO.	DESCRIPTION	GOSS PART NO.
20004	Skip Slitter - 15" Dia.	B-080273-0001
1526	Skip Slitter - 15" Dia.	B-113071-0001
1614	Skip Slitter - 15" Dia.	C-088221-0001
1615	Skip Slitter - 15" Dia.	B-138030-0001
1602	Skip Slitter - 15-1/2" Dia. x 6-1/4"	B-078925-0001
	Skip Slitter - 15-1/2" Dia.	B-088697-0001
1526	Skip Slitter - 15-1/2" Dia. x 4-7/8"	B-117321-0001
1550	Skip Slitter - 15-1/2" Dia. x 8"	C-088222-0001
1770	Skip Slitter - 15-1/2" Dia. x 8"	C-088697-0001
1794	Skip Slitter - 15-1/2" Dia. x 4.875	B-118349-0001
1543	Skip Slitter - 16" Dia.	

**** ALL SLITTERS CAN BE MFG, TO CUSTOMER'S SPECIFICATIONS ****

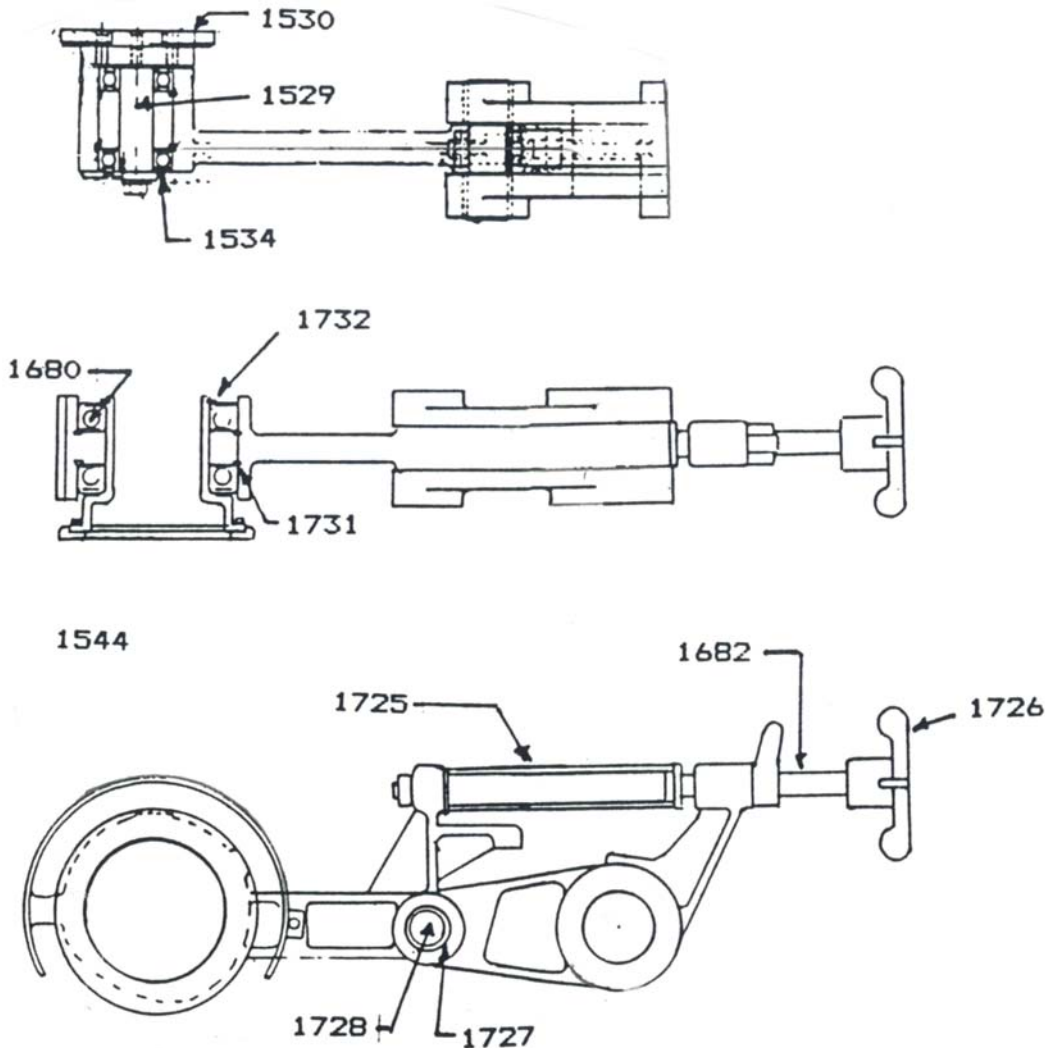
FOLDER: TROLLEY SYSTEM



RTF MANUAL TROLLEY • 2:1 & 3:2

STOCK NO.	DESCRIPTION	GOSS PART NO.
1529	Spindle	B-069354-0001
1530	Solid Brass Trolley	B-069353-0001
1534	Bearing	C-040104-6204
1544	Split Brass Trolley	B-115904-0001
1680	Bearing	722605-0235
1682	Adjusting Screw	B-079758-0001
1725	Spring	B-032246-0001
1726	Handwheel	B33195-0018-89
1727	Bushing	729405-6061
1728	Pin	B-097531-0001
1731	Spirolox Inner Ring	885470-0104
1732	Spirolox Outer Ring	885470-0152

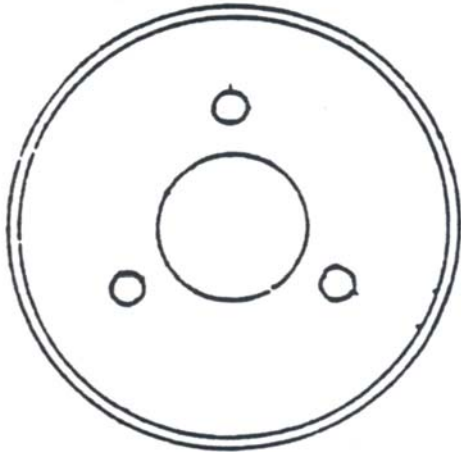
FOLDER: PNEUMATIC SYSTEM



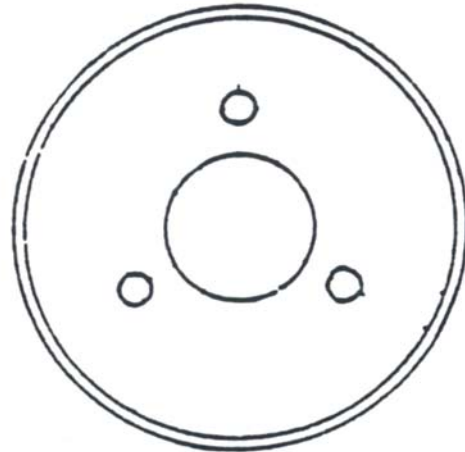
PNEUMATIC TROLLEY ASSEMBLY • 2:1 & 3:2

STOCK NO.	DESCRIPTION	GOSS PART NO.
1529	Trolley Spindle	B-069354-0001
1530	Trolley	B-069353-0001
1531	Oilite Bearing	C-040075-1606
1532	Regulator	882704-0046
1533	Gage	B-147222-0001
1534	Bearing	C-040104-6204
1536	Switch	089900-8114
1537	Back Pressure Gage	771529-0311
1567	Control Valve	920520-0030
1700	Back Pressure Regulator	882704-0047
1701	Air Cylinder	739902-0014

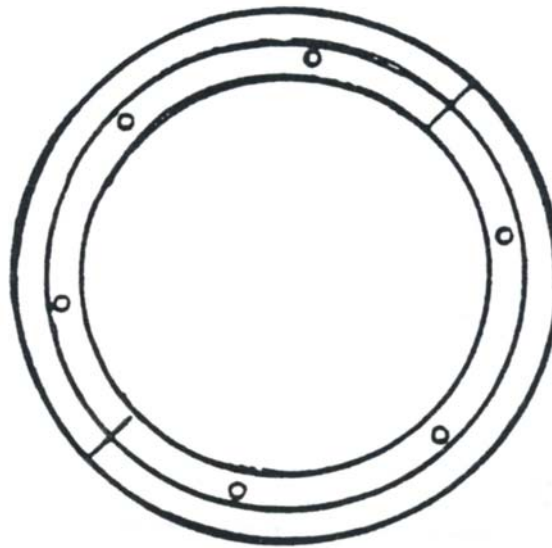
FOLDER: TROLLEY SYSTEM



1530 - 1652



1858 - 1919



1544

TROLLIES • 2:1, 3:2 & REGENT

STOCK NO.	DESCRIPTION	GOSS PART NO.
1530	Solid Bronze Trolley - 2:1 & 3:2	B-069353-0001
1544	Split Bronze Trolley - 2:1 & 3:2	B-115904-0001
1652	Solid Bronze Trolley - Regent	B-155199-0001
1858	Plastic Trolley - Regent	B-148492-0001
1919	Plastic Trolley - 2:1 & 3:2	



1-888-434-0888
TOLL FREE

FOLDER: ELECTRICAL SYSTEM

TACHOMETER & GENERATOR • 2:1 & 3:2

STOCK NO.	DESCRIPTION	GOSS PART NO.
1613-1	Tach Generator	722800-8014
1613-2	Tach Generator	722800-8015
1613-000	Tachometer	C-072790-0001
1613-004	Tachometer	C-086219-0000
1613-5	Tachometer	C-091424-0000
1613-6	Tachometer - Rebuilt	C-072790-0001
1613-7	Tach Generator Gear	B-079065-0001
1613-8	Glass Cover	
2063	Speed Control Indicator - 0-75 pph for 160 Page Green Streak Folder	

www.a-americanpressparts.com

Check our website for updates!



1-888-434-0888
TOLL FREE

FOLDER: ELECTRICAL SYSTEM

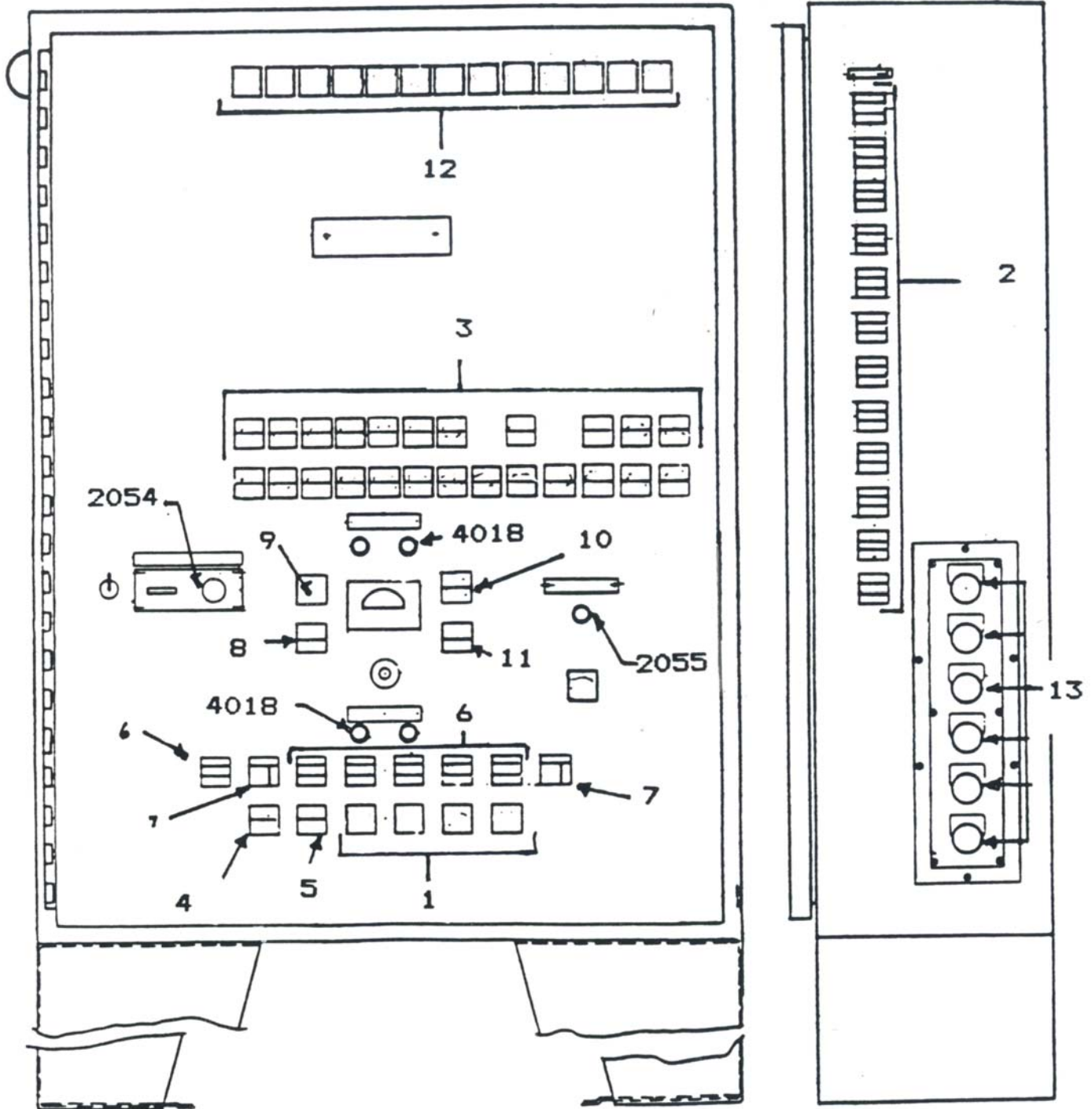
2:1 & 3:2 FOLDER

STOCK NO.	DESCRIPTION	GOSS PART NO.
1565	Pin Motor	C-092252-0002
1596	Lapp Motor	C-092252-0003
1597	Signal Lite Assy - Red-Green	
1598	Signal Lite Assy - Red-Green-White	
1632	Lubricator - 1qt. (4 drip feed)	C-098646-0014
1633	Lubricator - 1qt. (5 drip feed)	C-098646-0015
1634	Coil - 110v for above Lubricators	734700-8002
1648	Balloon Former Detector	ER-21382-0004
1655	Cross Association Detector	ER-21382-0003
1679	4 Button Station - Safe-Ready-Inch-Stop	D-023293-0007
1817	Limit Switch for Delivery Pan - 2:1	
1818	Limit Switch -Horiz. Drive - 3:2	899751-8234
1818-1	Ring Seal for Limit Switch	
1819	Limit Switch for Delivery Pan - 3:2	885477-0015
2096	6 Button Station - Safe-Ready-Inch Faster-Slower-Stop	
2097	Reel Margin Station - Special Order	

www.a-americanpressparts.com

Check our website for updates!

FOLDER: ELECTRICAL SYSTEM



FOLDER CONSOLE • UPRIGHT TYPE (NEW STYLE)



1-888-434-0888
TOLL FREE

FOLDER: ELECTRICAL SYSTEM

FOLDER CONSOLE • UPRIGHT TYPE (NEW STYLE)

	STOCK NO.	DESCRIPTION	GOSS PART NO.
(1)	2044-1	Contact Block (1NO)	ER-021989-0005
	2044-2	Contact Block (1NC)	ER-021989-0032
	2048-1	Single Button Operator	ER-021989-0031
	2051-1	Button - Yellow	C-079690-0003
	2051-2	Button - Black	C-079690-0002
	2051-3	Button - Gray	C-079690-0001
	2051-4	Button - Red	ER-021989-0041
(2)	2044-1	Contact Block (1NO)	ER-021989-0005
	2045-8	Button - Black (Left)	C-079693-0014
	2045-9	Button - Black (Right)	C-079693-0015
	2046-1	Lamp Bulb	
	2047-5	Amber Lens (Paste)	C-079696-0001
	2048-6	2 Button Operator w/ Ind. Light	ER-021989-0046
(3)	1607	2 button Operator	ER-021989-0036
	2044-1	Contact Block	ER-021989-0005
	2045-1	Button - Blue (Advance)	C-079684-0001
	2045-2	Button - Orange (Retard)	C-079684-0002
(4)	2046-2	Bulb	
	2047-2	Lens - Red	ER-021989-0025
	2047-4	Lens - Green	ER-021989-0038
	2053-1	Light - Dual Indicating	ER-021989-0034
(5)	2044-4	Contact Block (1 NO, 1 NC)	ER-021989-0029
	2048-5	2 Button Operator	ER-021989-0033
	2052-1	Button - Green	C-079684-0003
	2052-2	Button - Black	C-079684-0004
(6)	2048-2	2 Button Operator w/ Ind. Light	ER-021989-0035
	2046-1	Bulb	
	2047-1	Lens - Red	
	2044-1	Contact Block (1 NO)	ER-021989-0005
	2044-2	Contact Block (1 NC)	ER-021989-0032
	2049-1	On Button - Orange	C-079693-0012
	2049-2	On Button - White	C-079693-0008
	2049-3	On Button - Black	ER-021989-0040
	2049-4	On Button - Blue	C-079693-0005
	2049-5	On Button - Gray	C-079693-0003
	2049-6	On Button - Brown	C-079693-0001
	2049-7	On Button - Yellow	C-079691-0001
	2049-8	On Button - Black	C-079691-0006
	2050-1	Off Button - Orange	C-079693-0013
	2050-2	Off Button - White	C-079693-0009
	2050-3	Off Button - Black	C-079693-0007
	2050-4	Off Button - Blue	C-079693-0006
	2050-5	Off Button - Gray	C-079693-0004
	2050-6	Off Button - Brown	C-079693-0002



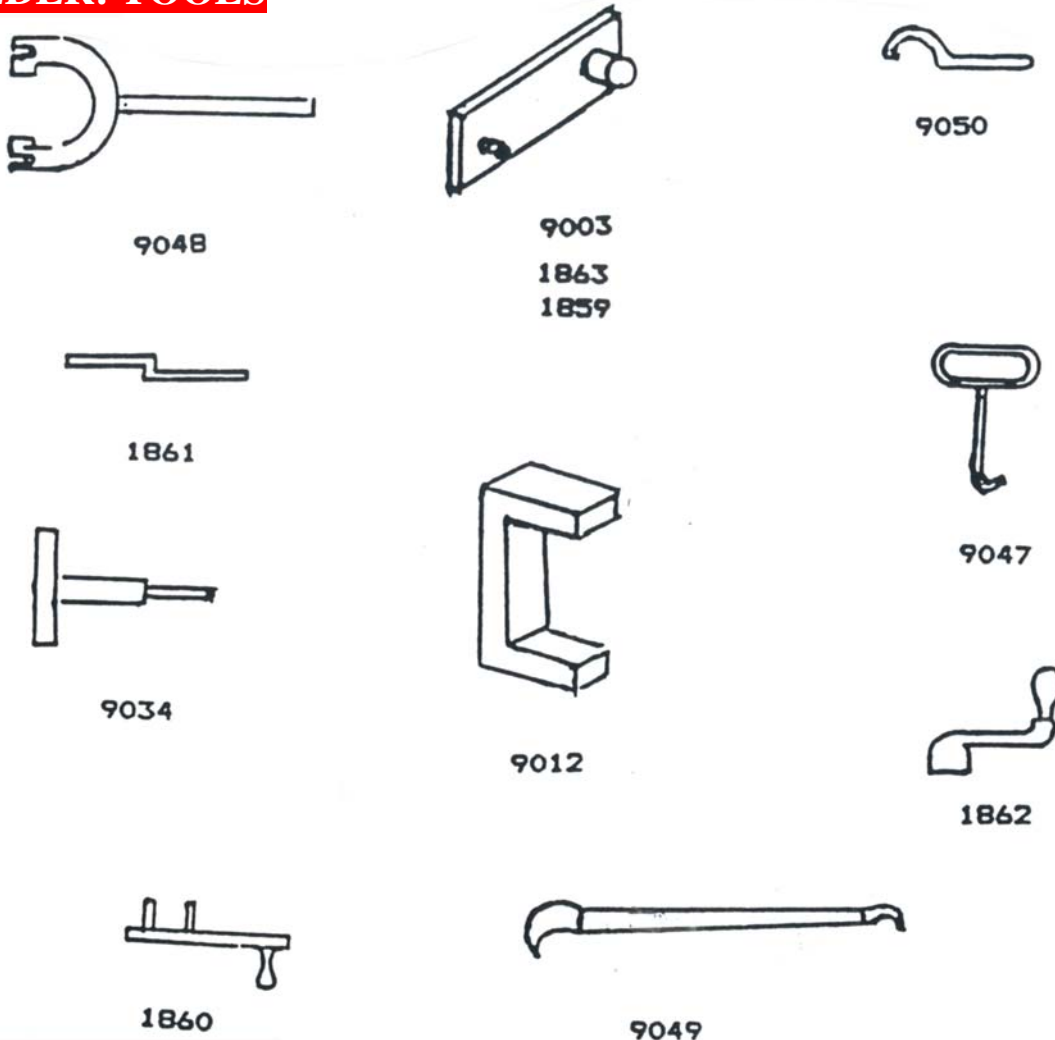
1-888-434-0888
TOLL FREE

FOLDER: ELECTRICAL SYSTEM

FOLDER CONSOLE • UPRIGHT TYPE (NEW STYLE)

	STOCK NO.	DESCRIPTION	GOSS PART NO.
(7)	2048-3	1 Button Operator w/ Release Bar & Light	
	2047-2	Lens - Red	
	2049-7	On Button - Yellow	
	2044-1	Contact Block (NO)	ER-021989-0005
	2049-8	On Button - Black	
(8)	2046-1	Bulb	
	2048-5	2 Button Operator w/ Mech. Interlock	ER-021989-0033
	2045-6	Manual Button - Black	C-079684-0023
	2045-7	Auto Button - Black	C-079684-0024
	2044-3	Contact Block (2 NC)	ER-021989-0075
(9)	2053-2	Single Indicating Light	ER-021989-0044
	2047-6	Lens - Red (Auto)	C-090710-0008
(10)	2044-2	Contact Block (1 NC)	ER-021989-0032
	2048-4	1 Button Operator w/ Ind. Light	ER-021989-0001
	2047-3	Lens - Blue	ER-021989-0039
	2045-5	Reset Button - Black	ER-021989-0043
(11)	2046-1	Bulb	
	2048-4	1 Button Operator w/ Ind. Light	ER-021989-0001
	2047-2	Lens - Red	ER-021989-0025
	2045-3	Flood Button - Black	C-079864-0033
(12)	2044-1	Contact Block (1 NO)	ER-021989-0005
	2053-2	Single Indicating Light	ER-021989-0034
	2046-2	Bulb	
	2054	Remote Counter	C-076151-0003
	2055	GE Variac	906100-8079
(13)	4018	Fuse Holder	B-121598-0001
	3609	Pushbutton Operator - Green (Safe)	D-014727-0050
	3208	Pushbutton Operator - Black	D-014727-0001
	3210	Pushbutton Operator - Gray	D-014727-0047
	2060	Pushbutton Operator - Yellow	D-014727-0003
	3211	Pushbutton Operator - Red	D-014727-0005
	3214	Contact Block (1 NO, 1NC)	D-014727-0014
	3213	Contact Block (1 NO)	D-014727-0049
	3215	Contact Block (2 NO)	D-014727-0016

FOLDER: TOOLS



TOOLS • 2:1, 3:2 & REGENT

STOCK NO.	DESCRIPTION	GOSS PART NO.
1859	Bucket or Fly Gage - Regent	C-115308-0001
1860	Folding Roller Wrench - Regent	C-115583-0001
1861	Anvil Setting Height Gage - Regent	
1862	Band Adjusting Wrench - 3:2	
1863	Bucket or Fly Gage - 3:2	
9003	Bucket or Fly Gage - 2:1	
9012	Knife Height Gage	B-035304-0001
9034	50 lb. Torque Wrench - Folding Pin	
9047	Hook for Lifting Knife Assy.	B-101730-0001
9048	Clutch Shifter Bar	C-039368-0001
9049	Key Bar	
9050	Slitter Hub Locknut Wrench	



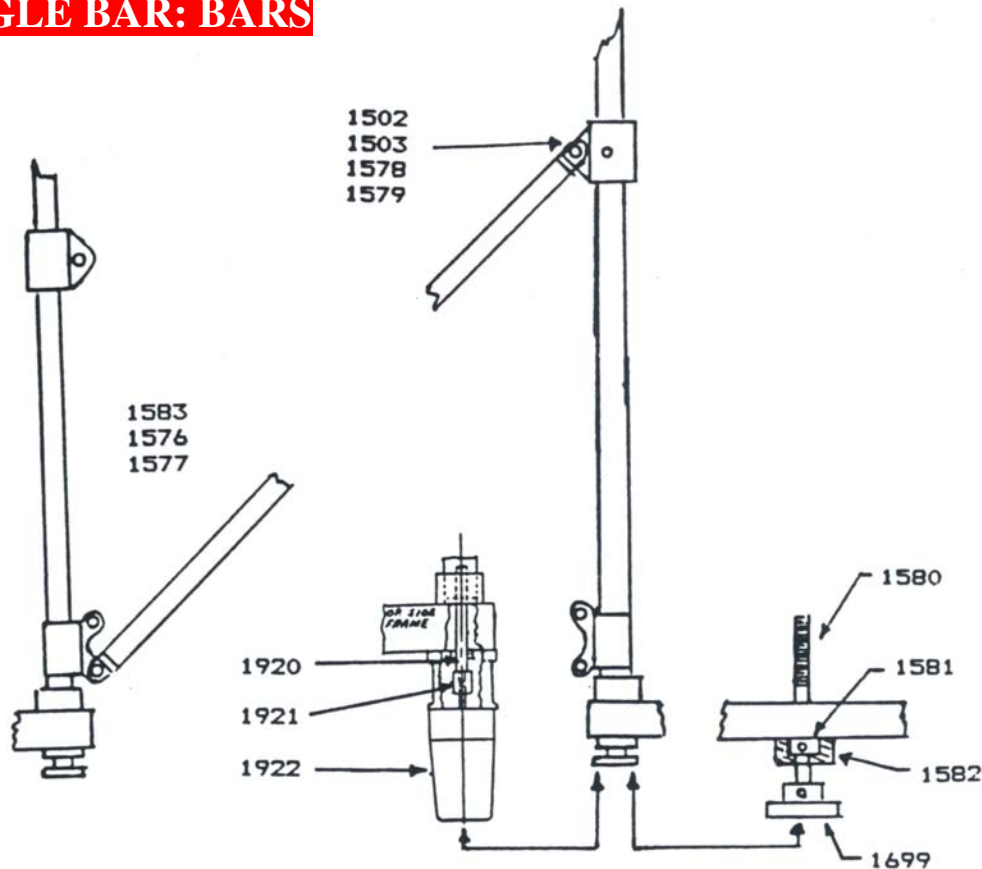
1-888-434-0888
TOLL FREE

ANGLE BARS

Table of Contents

Title:	Page
BARS AND COMPENSATORS	
Manual & Motorized Adjusting Shaft • Walk-In Type	<u>2</u>
Angle Bar Mounting Bracket Assembly	<u>3</u>
Compensators • Manual & Motorized	<u>4</u>
Notes Page	<u>5</u>
DRIVES	
Versa Bars • Metro & Metroliner	<u>6</u>
Drive Assembly • Cosmo & Regent	<u>7</u>
SLITTER SYSTEM	
Koegel Slitter Assembly	<u>8</u>
Stationary Slitter Roller • Walk-in Type	<u>9</u>
Stationary Slitter Roller • Cosmo & Regent	<u>10</u>
Slitter Roller • Manual Sidelay	<u>11</u>
Slitter Roller • Motorized Sidelay	<u>12</u>
Friction Slitter Assembly • Roller Front of Bars	<u>13</u>
Motorized Slitter Assembly	<u>14</u>
Slitter • Walk-in Type Angle Bars	<u>15</u>
Slitter Knife or Anvil	<u>16</u>
Slitter Scrapers	<u>17</u>
PNEUMATIC SYSTEM	
Friction & Motorized Slitter Assembly	<u>18</u>
ELECTRICAL SYSTEM	
Compensator • Operator Side	<u>19</u>
Compensator • Remote Control Box	<u>20</u>

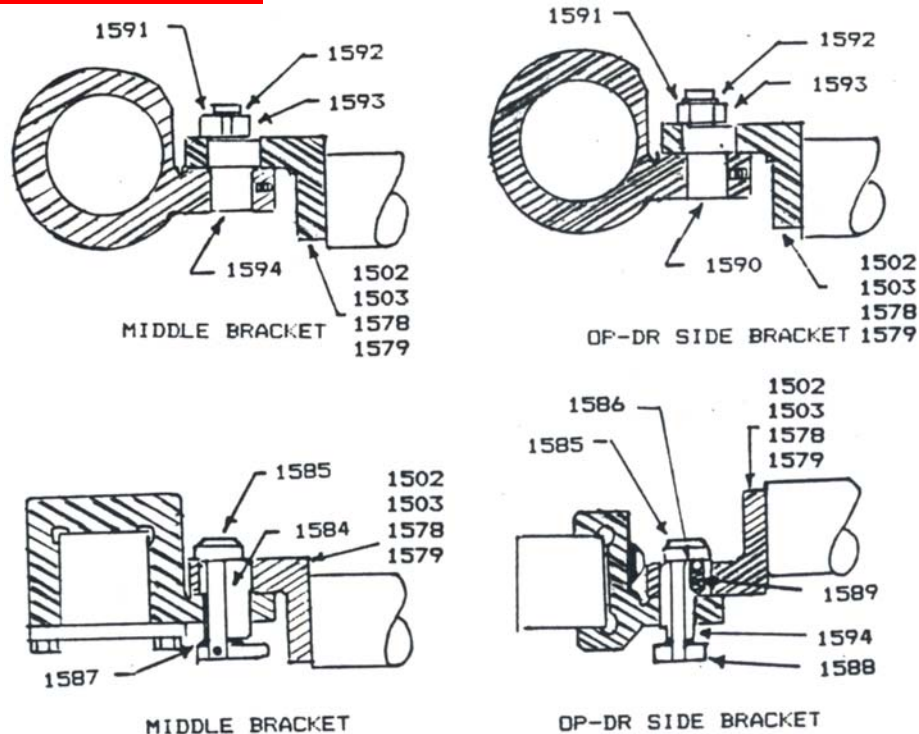
ANGLE BAR: BARS



MANUAL & MOTORIZED ADJUSTING SHAFT • WALK-IN TYPE

STOCK NO.	DESCRIPTION	GOSS PART NO.
1502	2 Hole Bracket – CI	B-128127-0001
1503	3 Hole Bracket – Steel	
1576	Solid Bar with Brackets	C-077795-0002
1577	Air Bar with Brackets	
1578	2 Hole Bracket - CI	
1579	3 Hole Bracket - Steel	
1580	Adjusting Screw	B-123335-0001
1581	Collar	B-092886-0001
11582	Collar	B-123326-0001
1583	Solid Bar – Plain	C-077795-0001
1699	Handwheel	815000-0027
1920	Shaft	B-142596-0001
1921	Coupling	C-092291-0001
1922	Motor	C-092252-0001

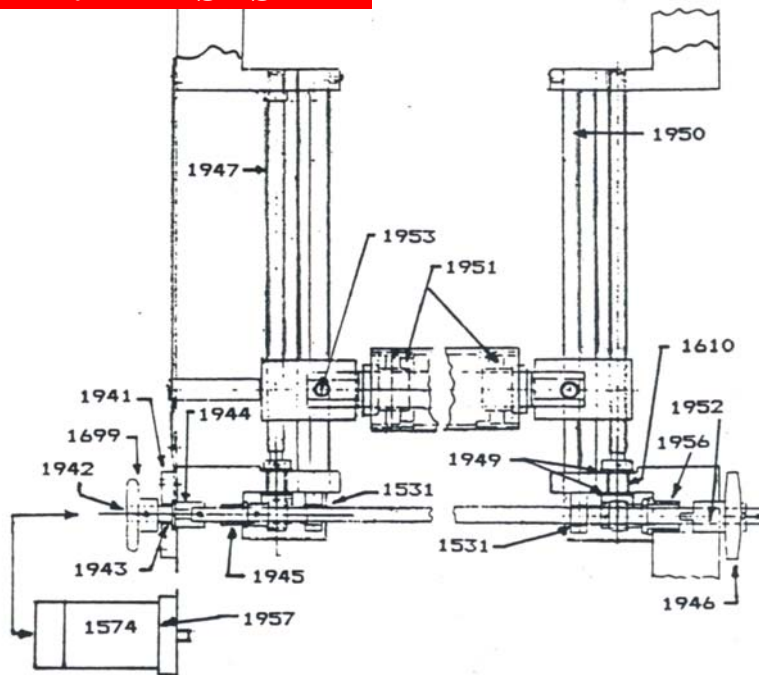
ANGLE BAR: BARS



ANGLE BAR MOUNTING BRACKET ASSEMBLY

STOCK NO.	DESCRIPTION	GOSS PART NO.
1502	2 Hole Bracket – CI	B-128127-0001
1503	3 Hole Bracket – Steel	
1578	2 Hole Bracket - CI	
1579	3 Hole Bracket - Steel	
1584	Eccentric	B-128130-0001
1585	Clamp	B-128131-0001
1586	Ball	720871-0001
1587	Spring	897005-0020
1588	Collar	B-128132-0001
1589	Spring	897009-2950
1590	Eccentric	B-137706-0001
1591	Snap Ring	C-040164-0050
1592	Wave Washer	897090-0050
1593	Collar	B-137705-0001
1594	Eccentric	B-137707-0001
5918	Mounting Bar Bracket	C-086143-0001
5919	Sliding Bracket	C-086144-0001

ANGLE BAR: BAR SYSTEM



COMPENSATORS • MANUAL & MOTORIZED

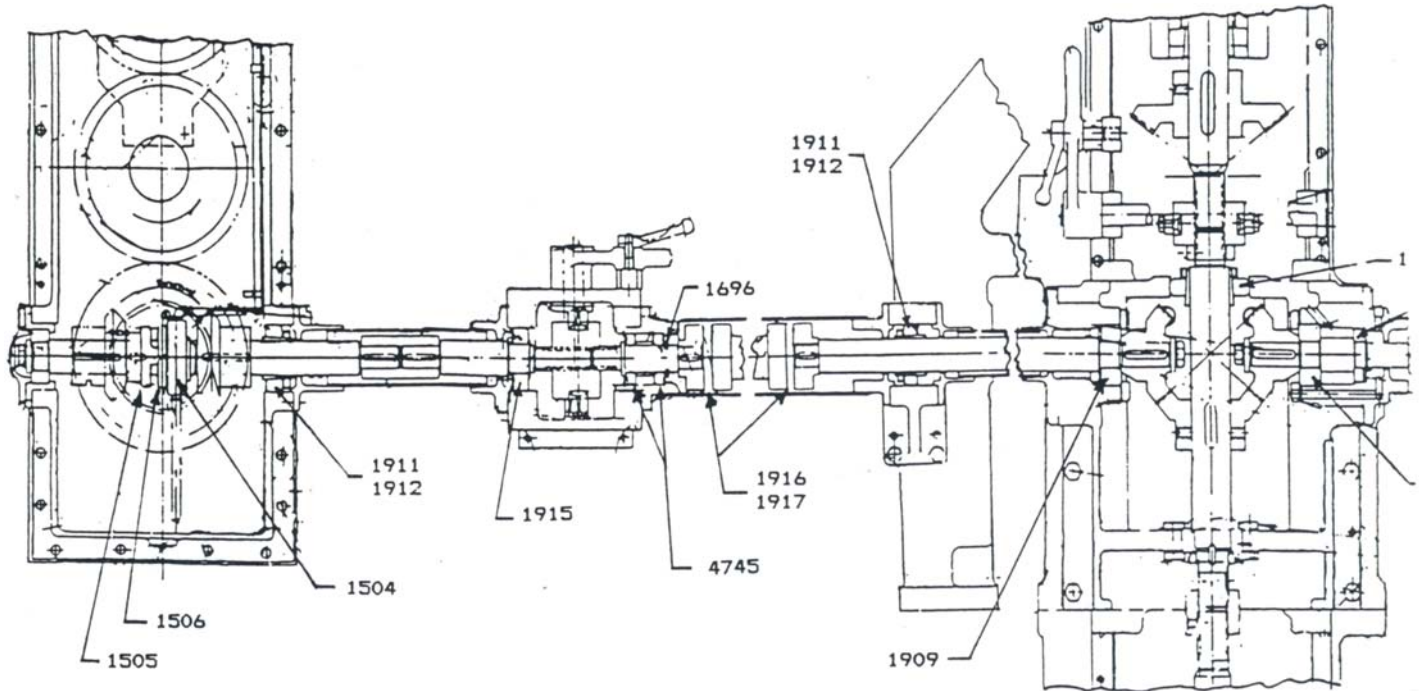
STOCK NO.	DESCRIPTION	GOSS PART NO.
1531	Bushing	C-040075-1606
1574	Motor	C-093738-0001
1699	Handwheel – Op. Side	815000-0027
1941	Mounting Plate for Handwheel	B-143584-0001
1942	Stud	B-143583-0001
1943	Bushing	C-040075-1604
1944	Coupling	B-142872-0001
1945	Bushing	729405-1706
1946	Handwheel	B-128768-0000
1947	Adjusting Screw	B-123327-0001
1948	Bushing	C-040075-1610
1949	Washer	930889-0124
1950	Guide Rod	C-078301-0215
1951	Bearing	722605-0026
1952	Spring	B-123334-0001
1953	Bolt	891200-0012
1956	Bushing	729405-1710
1957	Motor Mounting Plate	B-142871-0001



1-888-434-0888
TOLL FREE

ANGLE BAR: NOTES

ANGLE BAR: DRIVE



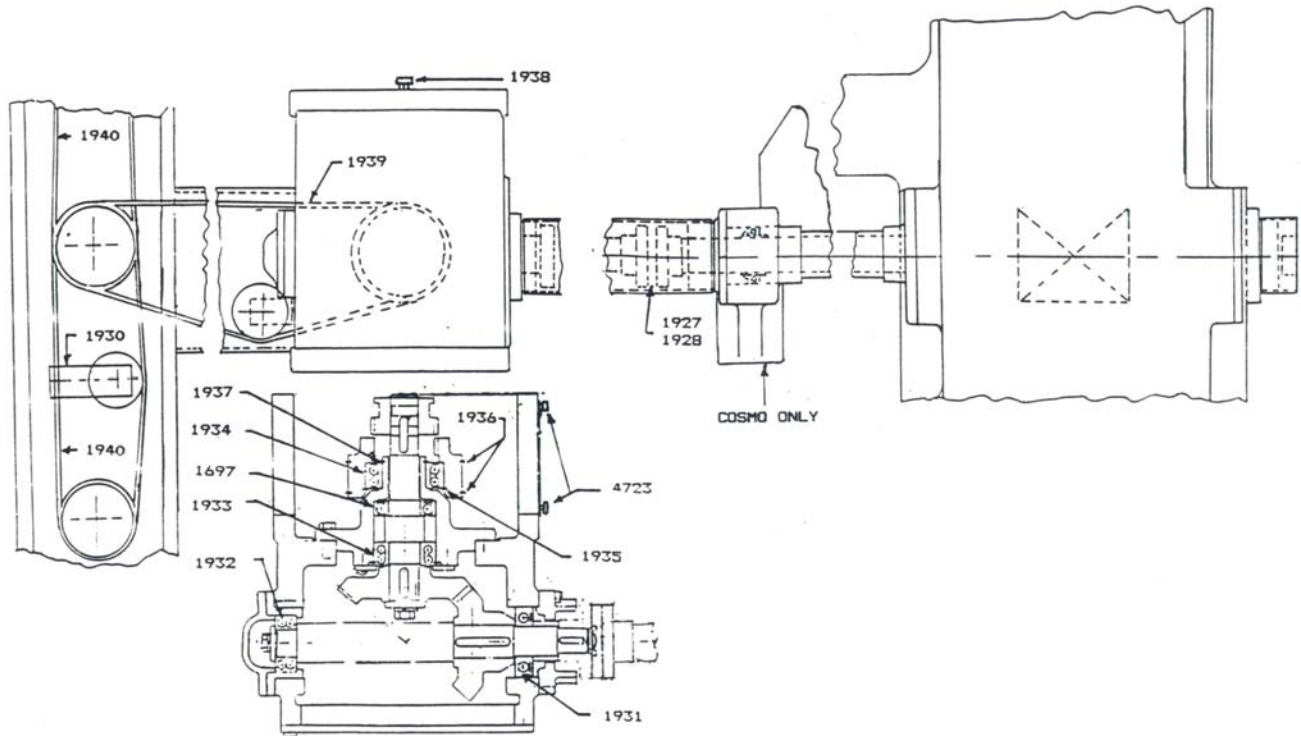
VERSA BARS • METRO & METRO-LINER

STOCK NO.	DESCRIPTION	GOSS PART NO.
1504	Oil Pump	B-129410-0001
1505	Drive Gear	C-077907-0001
1506	Oil Pump Gear	C-077907-0002
1696	Retainer Ring	885470-1156
1909	Bearing	C-040109-5308
1910	Bearing	C-040102-6208
1911	Bearing	C-040114-1211
1912	Adapter	C-040122-1120
1913	Bearing	722605-0525
1914	Bearing	C-040107-5308
1915	Bearing	C-040103-6309
1916	Shim Set for Coupling	
4710	Bearing	C-040106-5209
4745	Bearing	722605-0566

www.a-americanpressparts.com

Check our website for updates!

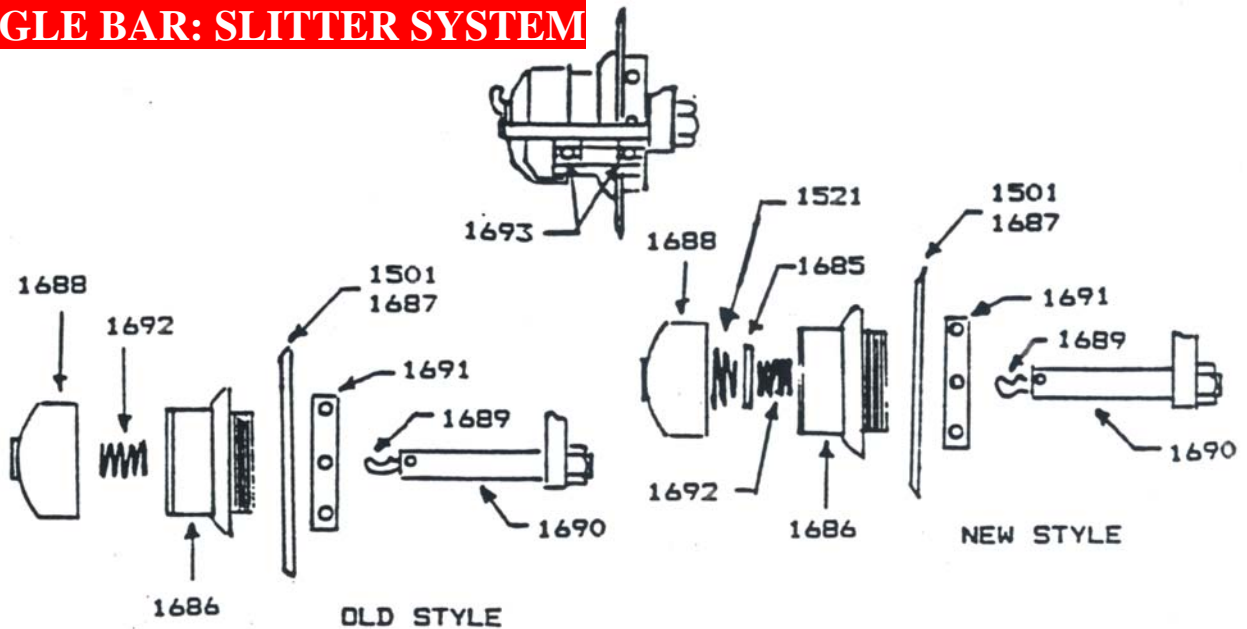
ANGLE BAR: DRIVE



DRIVE ASSEMBLY • COSMO & REGENT

STOCK NO.	DESCRIPTION	GOSS PART NO.
1697	Bearing	722605-0567
1927	Nut & Bolt Assy. – Coupling	
1928	Shim Set – Coupling	
1930	Take-up Lever	B-143444-0001
1931	Bearing	722605-2411
1932	Bearing	C-040106-5207
1933	Bearing	722605-0253
1934	Bearing	722605-2706
1935	Retainer Ring	885470-0568
1936	Retainer Ring	885470-0183
1937	Retainer Ring	885470-1215
1938	Air Vent	922500-0003
1939	Timing Belt	723675-0506
1940	Timing Belt	723675-0327
4723	Fastener	760668-3109

ANGLE BAR: SLITTER SYSTEM



KOEGEL SLITTER ASSEMBLY

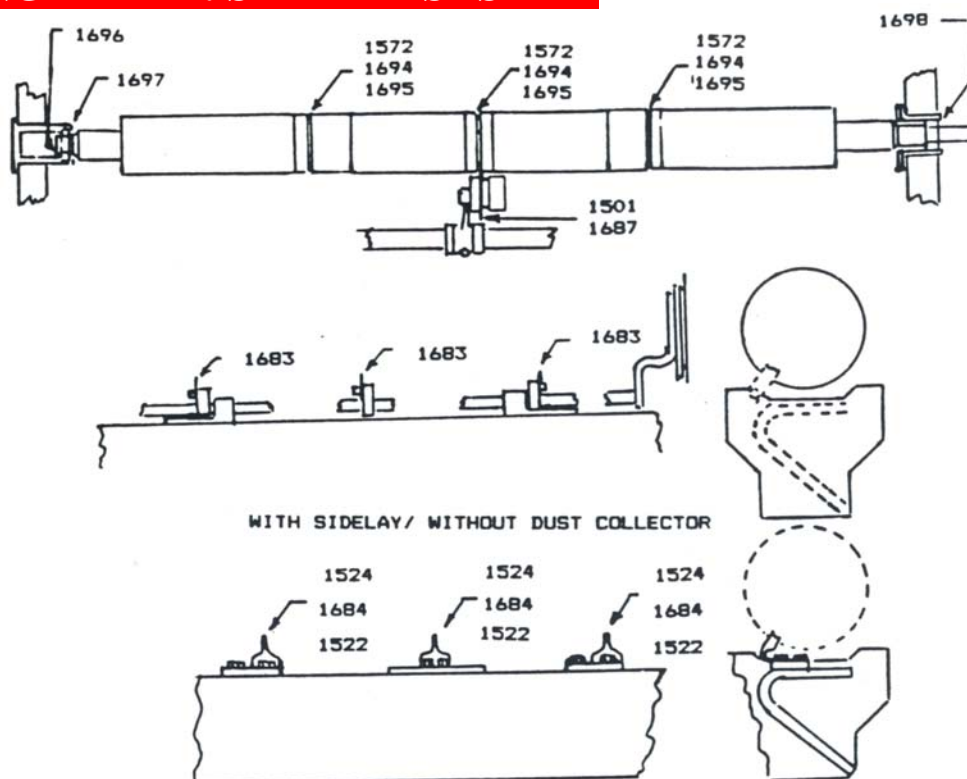
STOCK NO.	DESCRIPTION	GOSS PART NO.
1500	Slitter Assy. N/S	895200-0001
1501	Slitter – 5” OD	814008-0050
1501-00T	Slitter – 5” OD (Tin Coated)	
1521	Conical Spring	
1685	Pre-Load Spring Nut	
1686	Bearing Hub	
1686	Plate	
1686-003	Screws (4 Per)	
1687	Slitter – 6” OD	814008-0060
1688	Guard Shell	
1689	Retainer Lever	
1690	Slitter Shaft	
1691	Locking Collar	
1692	Pre-Load Spring	
1693	Bearing	
1693-1	Bearing Bushing	
1955	Slitter Guard	
1696	Retaining Ring	

**** SPECIFY OLD OR NEW STYLE**

www.a-americanpressparts.com

Check our website for updates!

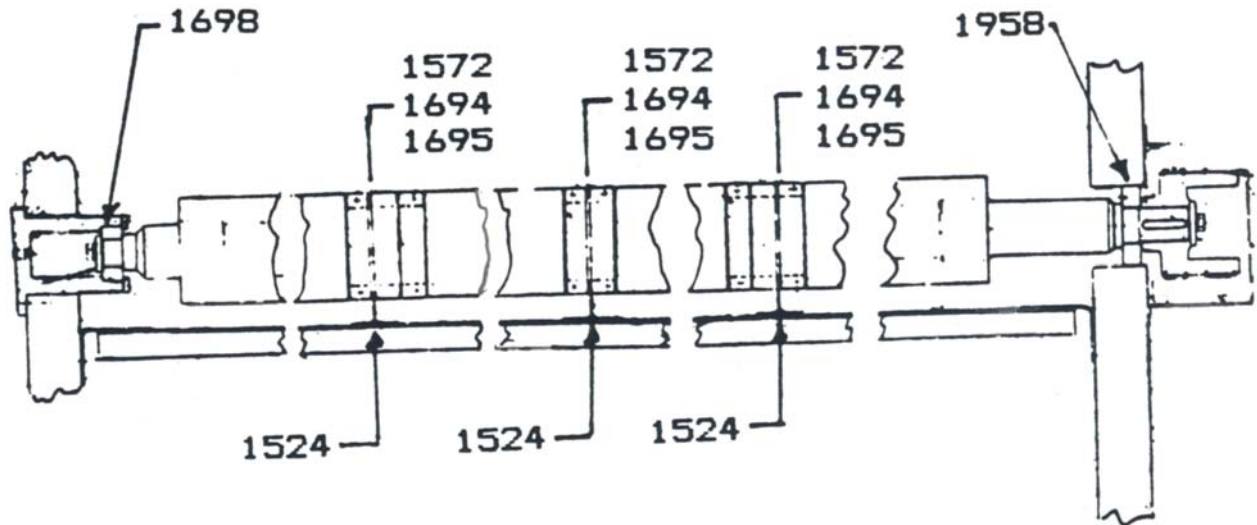
ANGLE BAR: SLITTER SYSTEM



STATIONARY SLITTER ROLLER & SLITTER SCRAPER • WALK-IN TYPE

STOCK NO.	DESCRIPTION	GOSS PART NO.
1501 ^	Slitter	814008-0050
1501-00T	Slitter (Tin Coated)	
1522	Slitter Scraper	AR-06845-0001
1524	Slitter Scraper	B-140448-0001
1572	Slitter Anvil	B-124827-0001
1683	Slitter Scraper	B-132421-0001
1684	Slitter Scraper	B-132419-0001
1687 ~	Slitter	814008-0060
1694 *	Slitter Anvil	B-123179-0001
1695 +	Slitter Anvil	B-133954-0001
1696	Retainer Ring	885470-1156
1697	Bearing	722605-0567
1698	Bearing	C-040108-5208
2624	Slitter Lever	27828-1
*14-1/2" TO 15" Press	^13-11/16" to 14-1/2" Press	
+13-11/16" Press	~15" Press	

ANGLE BAR: SLITTER SYSTEM



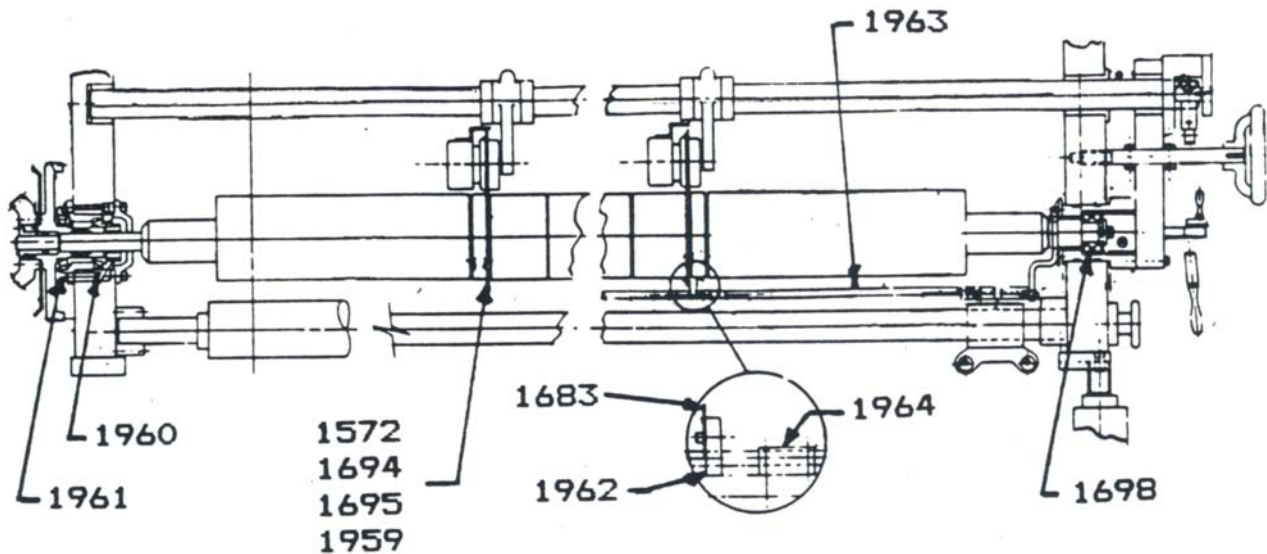
STATIONARY SLITTER ROLLER • COSMO & REGENT

STOCK NO.	DESCRIPTION	GOSS PART NO.
1524	Slitter Scraper	B-140448-0001
1572	Slitter Anvil	B-124827-0001
1694	Slitter Anvil	B-123179-0001
1695	Slitter Anvil	B-133954-0001
1698	Bearing	C-040108-5208
1958	Bearing	722605-0291

www.a-americanpressparts.com

Check our website for updates!

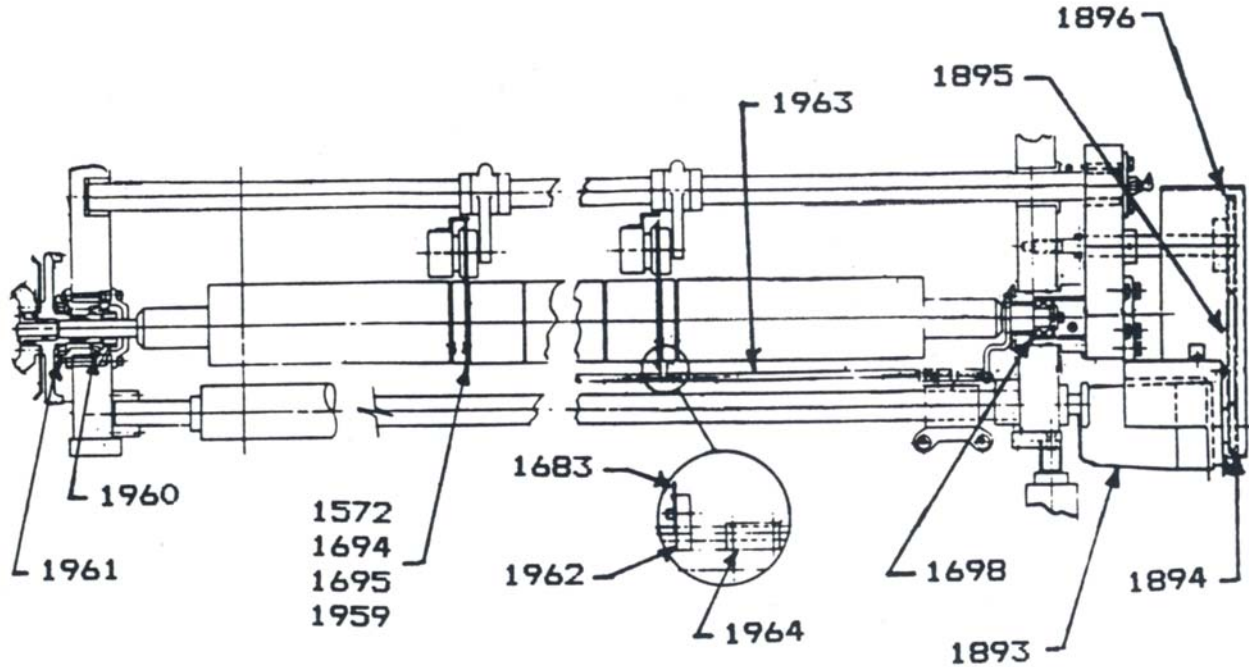
ANGLE BAR: SLITTER SYSTEM



SLITTER ROLLER • MANUAL SIDELAY

STOCK NO.	DESCRIPTION	GOSS PART NO.
1572	Slitter Anvil	B-124827-0001
1683	Slitter Scraper	B-132424-0001
1694	Slitter Anvil	B-123179-0001
1695	Slitter Anvil	B-133954-0001
1698	Bearing	C-040108-5208
1959	Slitter Anvil	
1960	Bearing	722673-1054
1961	Bearing	722673-1654
1962	Scraper Mounting Block	B-132424-0001
1963	Slitter Mounting Rod	B-142678-0001
1964	Rod Support Block	B-142679-0001

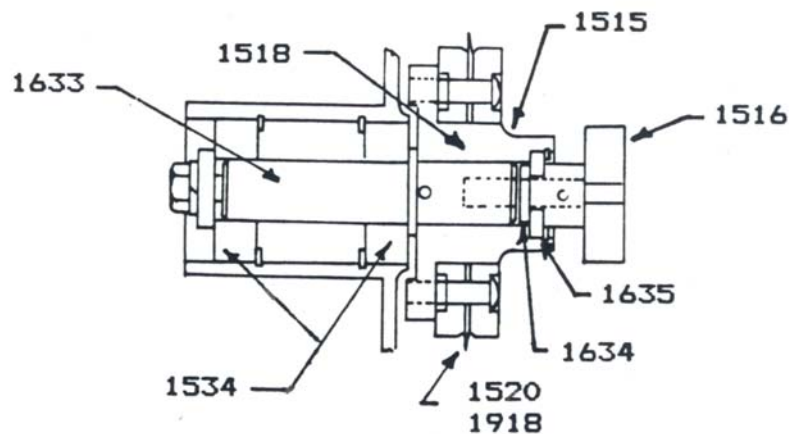
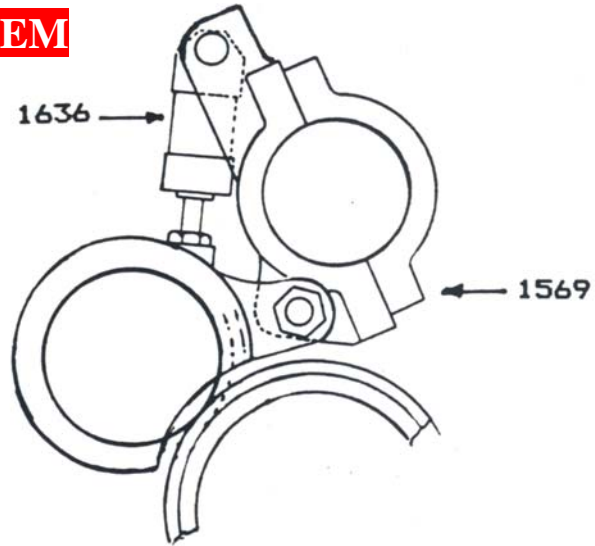
ANGLE BAR: SLITTER SYSTEM



SLITTER ROLLER • MOTORIZED SIDELAY

STOCK NO.	DESCRIPTION	GOSS PART NO.
1572	Slitter Anvil	B-124827-0001
1683	Slitter Scraper	B-132424-0001
1694	Slitter Anvil	B-123179-0001
1695	Slitter Anvil	B-133954-0001
1698	Bearing	C-040108-5208
1893	Motor	C-092252-0006
1894	Motor Sprocket	B-142703-0001
1895	Drive Chain	732404-1060
1896	Sprocket	C-040144-2504
1959	Slitter Anvil	
1960	Bearing	722673-1054
1961	Bearing	722673-1654
1962	Scraper Mounting Block	B-132424-0001
1963	Slitter Mounting Rod	B-142678-0001
1964	Rod Support Block	B-142679-0001

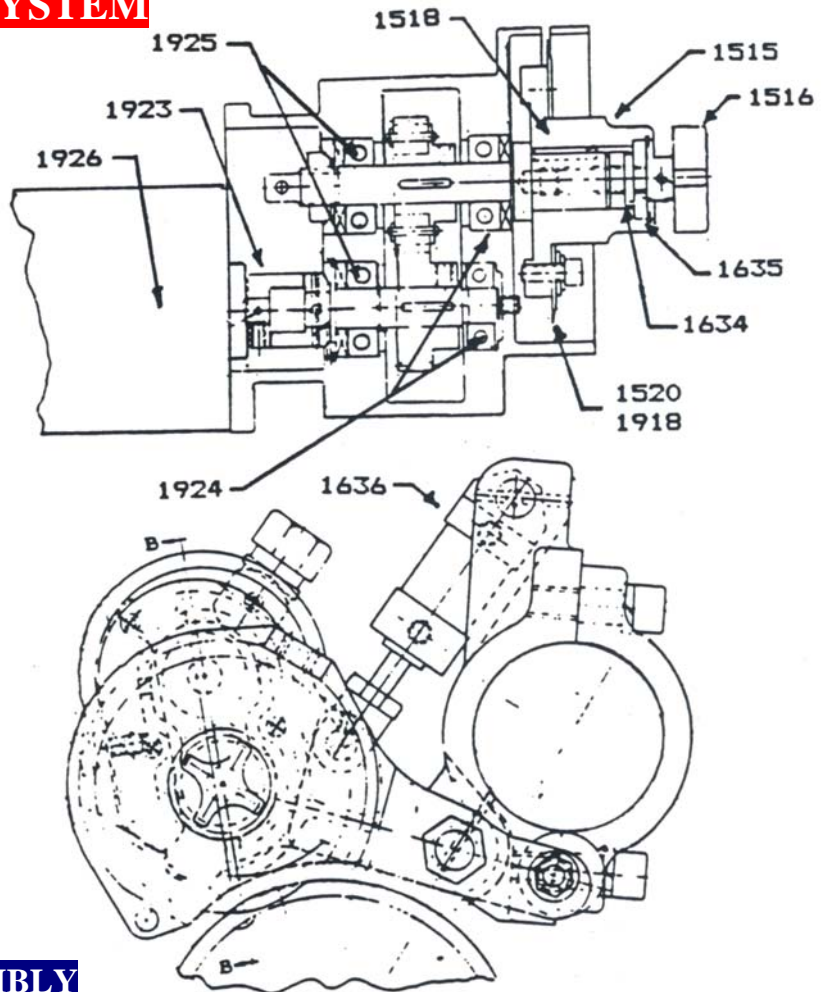
ANGLE BAR: SLITTER SYSTEM



FRICITION SLITTER ASSEMBLY • ROLLER FRONT OF BARS

STOCK NO.	DESCRIPTION	GOSS PART NO.
1515	Hub Assembly	
1516	Knob	B-150234-0001
1518	Hub	C-102256-0001
1520	Slitter – 4.125 OD	B-149437-0001
1520-00T	Slitter – 4.125 OD (Tin Coated)	
1520-DBT	Slitter – 4.125 OD (Double Beveled, Tin Coated)	
1534	Bearing	C-040104-6204
1569	Complete Assembly	E-007010-0000
1633	Shaft	B-149511-0001
1634	Knob Shaft	B-149513-0001
1635	Washer	B-149512-0001
1636	Air Cylinder	739902-0132
1918	Slitter – 4.375 OD	B-149438-0001

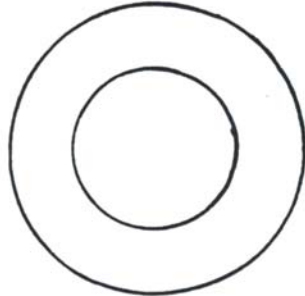
ANGLE BAR: SLITTER SYSTEM



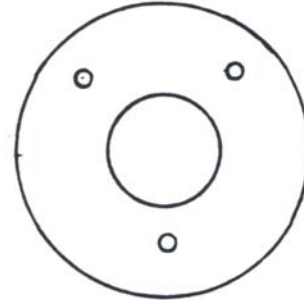
MOTORIZED SLITTER ASSEMBLY

STOCK NO.	DESCRIPTION	GOSS PART NO.
1515	Hub Assembly	
1516	Knob	B-150234-0001
1518	Hub	C-102256-0001
1520	Slitter – 4.125 OD	B-149437-0001
1520-00T	Slitter – 4.125 OD (Tin Coated)	
1520-DBT	Slitter – 4.125 OD (Double Beveled, Tin Coated)	
1634	Knob Shaft	B-149513-0001
1635	Washer	B-149512-0001
1636	Air Cylinder	739902-0132
1918	Slitter – 4.375 OD	B-149438-0001
1923	Coupling	737832-0008
1924	Bearing	C-040104-6201
1925	Bearing	C-040104-6202
1926	Motor	C-105158-0001

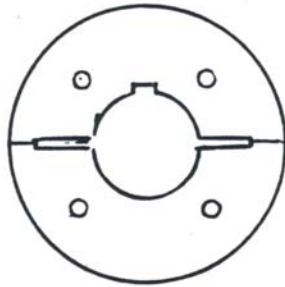
ANGLE BAR: SLITTER SYSTEM



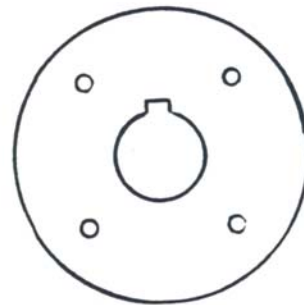
1501 - 1687



1520 - 1918



1541



1547

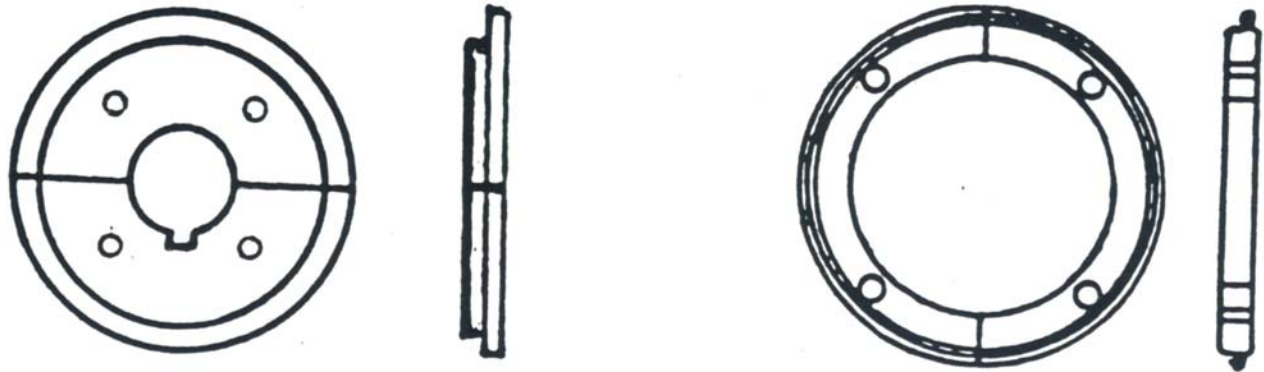
SLITTER • WALK-IN TYPER

STOCK NO.	DESCRIPTION	GOSS PART NO.
1501 *	Slitter – 5” OD	814008-0050
1501-00T	Slitter – 5” OD (Tin Coated)	
1520	Friction & Motor Driven Slitter	B-149437-0001
1520-00T	Slitter – 4.125 OD (Tin Coated)	
1520-DBT	Slitter – 4.125 OD (Double Beveled, Tin Coated)	
1541	Gear Driven Slitter	B-051916-0001
1547	Gear Driven Slitter	B-051916-0001
1566	Gear Driven Slitter	B-028139-0001
1687 +	Slitter – 6” OD	814008-0060
1918	Friction & Motor Driven Slitter	B-149438-0001

* 13-11/16” TO 14-1/2” Press

+ 15” Press

ANGLE BAR: SLITTER SYSTEM



SLITTER KNIFE OR ANVIL

STOCK NO.	DESCRIPTION	GOSS PART NO.
1694	Slitter Anvil	B-123179-0001
1695	Slitter Anvil	B-133954-0001
1572	Slitter Anvil	B-124827-0001
1959 *	Slitter Anvil	
1965	Slitter Anvil	B-124827-0002
1966	Slitter Anvil Spacer	B-070217-0001
1967	Slitter Anvil Spacer	B-124831-0001

* Slitter Roller – Regent Folder & H/O Angle Bar

ANGLE BAR: SLITTER SYSTEM



1522



1524



1684



1548



1513

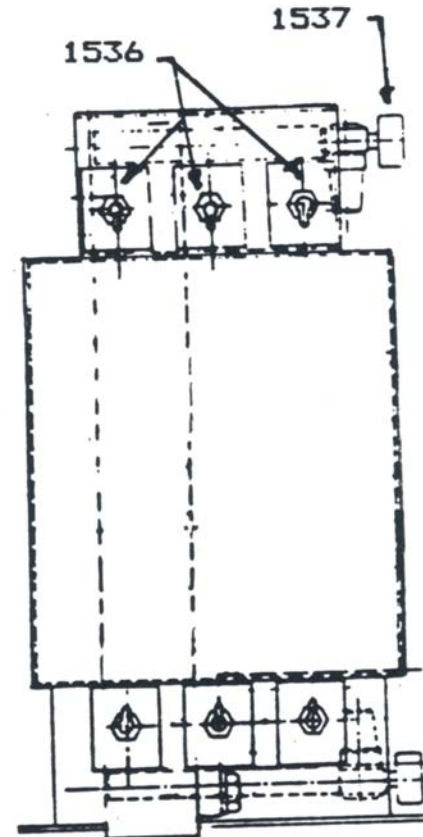
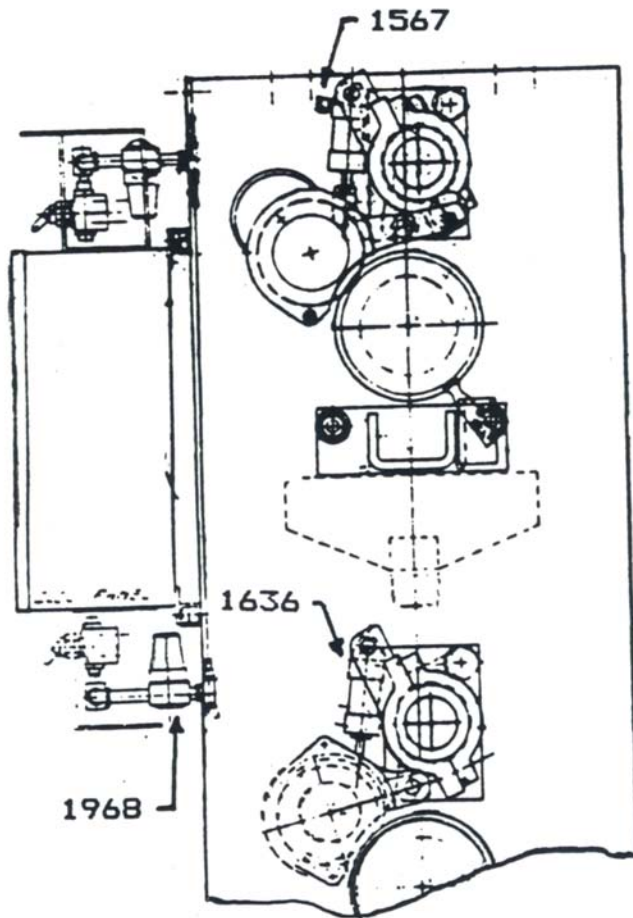


1683

SLITTER SCRAPERS

STOCK NO.	DESCRIPTION	GOSS PART NO.
1513	Slitter Scraper	A-008158-0001
1522	Slitter Scraper	AR-06845-0001
1524	Slitter Scraper	B-140448-0001
1548	Slitter Scraper	B-143626-0001
1683	Slitter Scraper	B-132421-0001
1684	Slitter Scraper	B-132419-0001
1969	Slitter Scraper	

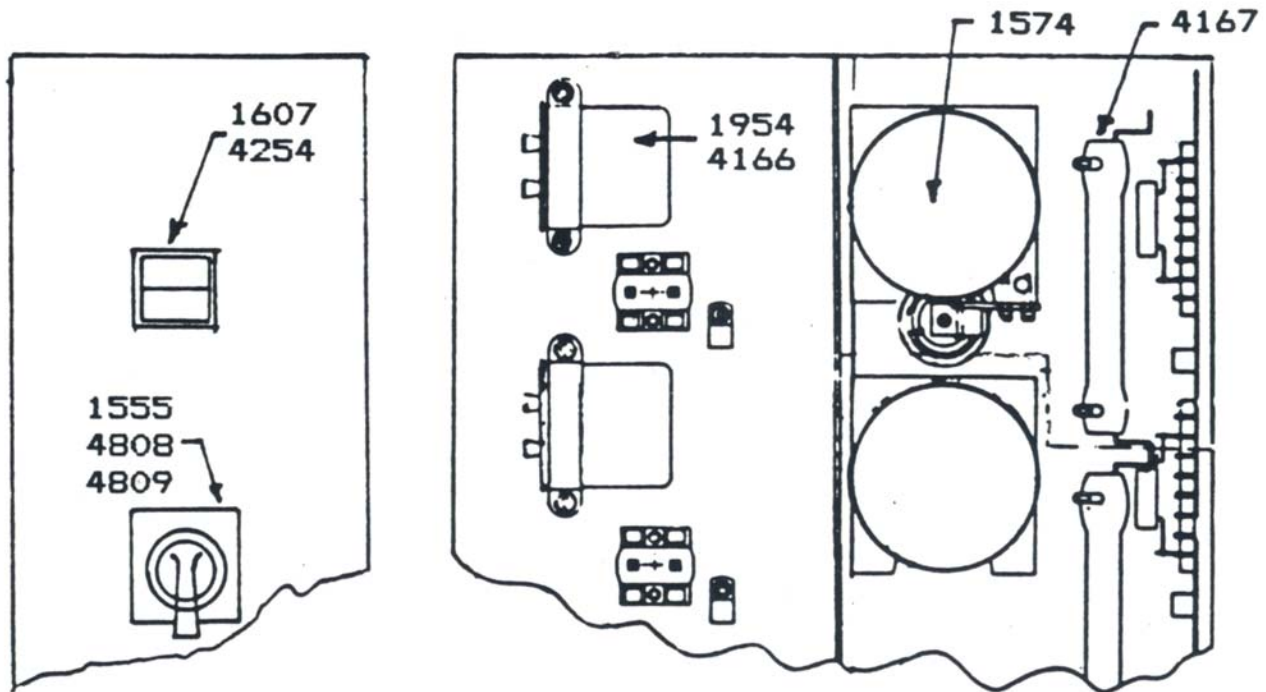
ANGLE BAR: PNEUMATIC SYSTEM



FRICITION & MOTORIZED SLITTER ASSEMBLY

STOCK NO.	DESCRIPTION	GOSS PART NO.
1536	Air Switch	771529-0311
1537	Air Pressure Gage	899700-8114
1567	Flow Control Valve	920520-0030
1636	Air Cylinder	739902-0132
1968	Air Regulator	882700-2024

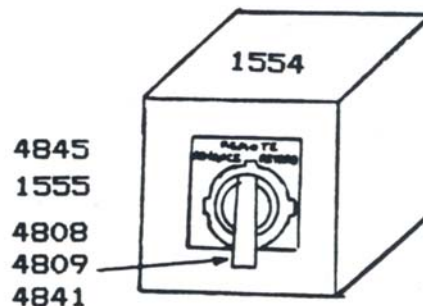
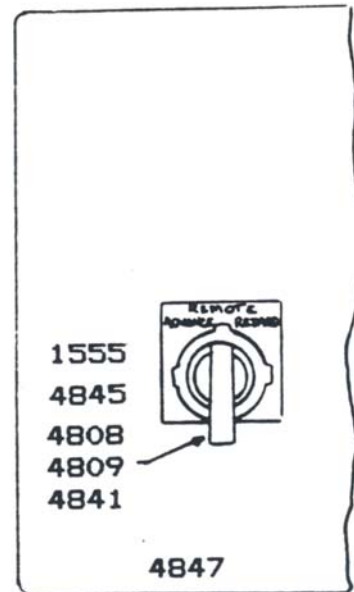
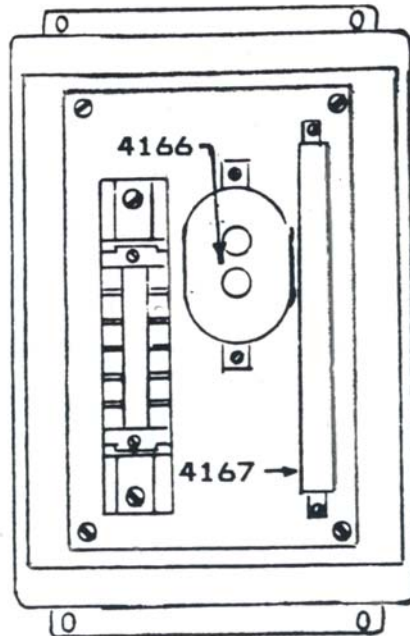
ANGLE BAR: ELECTRICAL SYSTEM



COMPENSATOR • OPERATOR SIDE

STOCK NO.	DESCRIPTION	GOSS PART NO.
1555	Switch – Operator	C-080225-0002
1574	Motor	C-093738-0001
1607	Push Button	ER-021989-0036
1954	Capacitor	731160-6170
4166	Capacitor	731160-6125
4167	Resistor	D-017812-0281
4254	Contact Block	ER-021989-0029
4808	Contact Block	C-080226-0005
4809	Contact Block	C-080226-0001

ANGLE BAR: ELECTRICAL SYSTEM



REMOTE COMPENSATOR CONTROL BOX • 1 WAY

STOCK NO.	DESCRIPTION	GOSS PART NO.
1554	Remote Control Box	
1555	Selector Switch	C-080225-0001
4166	Capacitor	731160-6125
4167	Resistor	D-017812-0281
4808	Contact Block	C-080226-0005
4809	Contact Block	C-080226-0001
4841	Selector & Actuator	
4845	Actuator	
4847	Remote Comp. Control Box (1 way)	D-032869-0001



1-888-434-0888
TOLL FREE

GOSS METRO UNIT

Table of Contents

Title:	Page
AIR SYSTEM	
Main Air Line & Unit Air Line • Metro & Metro-Liner	4
Pneumatic Switches & Indicators - Op. Side • Metro	5
Ink Tank Compartment • Under Shot Fountain • Metro	6
10 & 13 Side Legs - Operator Side • Metro	7
Anti-Setoff Pneumatic System	8
Cannister Air Hose Assembly	9
Cannister Air Hose Fittings	9
Poly-Flow Fittings	10
Legris Fittings	11
Hi-Duty Fittings	12
Notes	13
CYLINDERS	
Blanket Cylinder Assembly #11 - 12 & # 1700 - 1800 Cylinder W/O Silencing	14
Blanket Cylinder Lock-up	15
Blanket Cylinder Linkage • Black & Process	16
Common Impression Cylinders • Metro	17
Common Cylinder Assembly	18
Plate Cylinder Assy W/ Circumferential & Sidelay 10 - 13, & 1701 - 1801	19
Plate Cylinder Lockup Assembly • Metro	20
Plate Lock-up Assembly • Metro & Metro-Liner	21
Manual Circum - Register & Sidelay - Metro	22
Vibrated Ink Drum	23
Water Drum Vibrator	24
Notes	25
DAMPENER SYSTEMS	
Arch Dampener Drive & Brush Assembly	26
Arch Dampener Flicker Shaft Assembly	27
Arch Dampener Flicker Assembly	28
Pus-Pull Cables & Parts	29
Arch Dampener Water System	30
Brush Dampener	31
Notes	32
Anti-Setoff Brush Dampener	33
Anti-Setoff Brush Dampener	34
Ink Train Dampener Water System	35
Ink Train Dampener Flicker Blade Assembly	36

www.a-americanpressparts.com

Check our website for updates!



1-888-434-0888
TOLL FREE

Spiral Brush Water System	37
Water Stop Assembly	38
Baldwin Auto-Mix 221 & Baldwin Circulator 640	39

DRIVE SYSTEM

Main Drive Motors • General Electric	40
Main Drive Box • Metro	41
Main Drive Clutch • Metro	42
Vertical Drive • Reverse & Non-Reverse	43
Vertical & Horizontal Drive • 13 Side Deck	44
Vertical & Horizontal Drive • 10	45
Vertical Drive Shaft Shifter • Metro & Metro-Liner	46
Ink Vibrator • Metro	47

INK SYSTEM

Main Ink Line Filters & Pneumatic System	48
Main Ink Line Piping • Metro & Metro-Liner	49
Main Ink Line & Cannister Ink Line Fittings	50
Pac To Rail Ink Hose Fittings	51
Pac & Ink Rail Hose Fittings	52
Ink Cannister • Old Style	53
Ink Cannister Assembly • New Style	54
Cannister To Pac Ink Hose Assembly	55
Ink Pac Drive • Mark V, Metro & Metro-Liner	56
Colortrol Drive • Manual & Motorized Metro	57
Ink Pac Drive & Purge System	58
Half-Deck Ink Injector Drive • Metro	59
Ink Pac Drive Box • Old Style	60
Ink Pac Drive Box • New Style	61
Manual Ink Rail • Metro	62
Double Stroke Ink Injector Page Pac Assembly	63
Double Stroke Ink Injector Page Pac Assembly	64
Single Stroke Ink Injector Page Pac Assembly	65
Single Stroke Ink Injector Page Pac Assembly	66
Under Shot Fountain & Pick-up Roller Assembly	67

GUARDS

Drive Side	68
Plate Cylinder Guard Assembly	69
Finger Guard & Bearer Wiper Assembly	70

INFEED SYSTEM

Infeed Linkage • Metro	71
Infeed Drive Assembly • Metro	72

www.a-americanpressparts.com

Check our website for updates!



1-888-434-0888
TOLL FREE

LUBRICATION SYSTEM

Main Drive Box With Electric Pump • Metro	73
Main Drive Box with Gear Driven Pump • Metro	74
Grease Hose Assembly & Fittings	75
Hi-Duty Fittings	76
Notes	77

SOCKETS

Ink Transfer Roller Socket • Metro	78
Dampener Form Roller • Metro	79
Ink Form Roller • Metro	80
Shaftless Ink Form Roller Socket • Metro Half-Deck	81

TOOLS & ACCESSORIES

Tools	82
Gregg Plate Bender	83

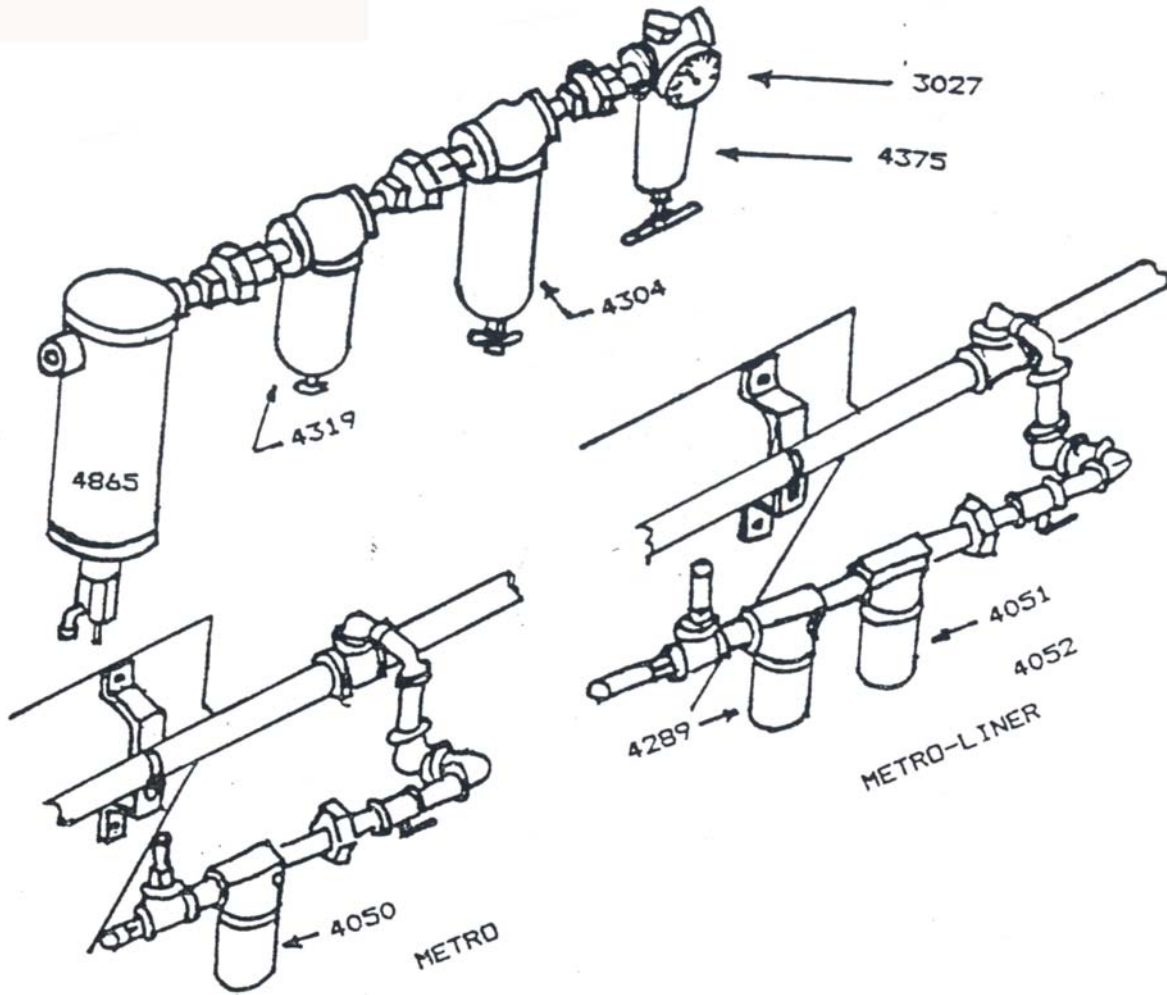
WASH-UP DEVICES

Top of Under Shot Fountain	84
Manual Type • Metro	85
Pneumatic Type • Metro	86

ELECTRICAL SYSTEM

Electrical Safety System • Metro	87
Remote Compensator Control Box • 1 Way	88
Web Break Detectors	89
Trolley Assembly	90
Notes	91

UNIT & HALF-DECK: AIR SYSTEM

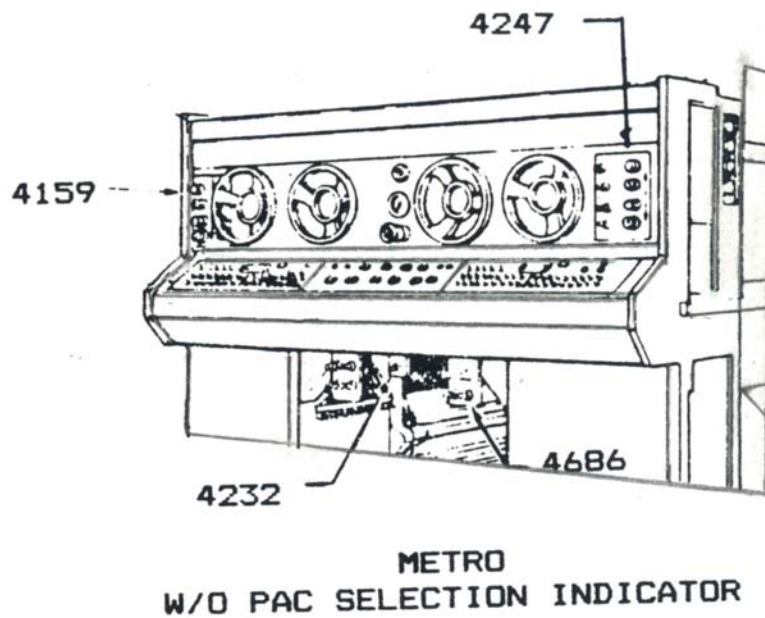
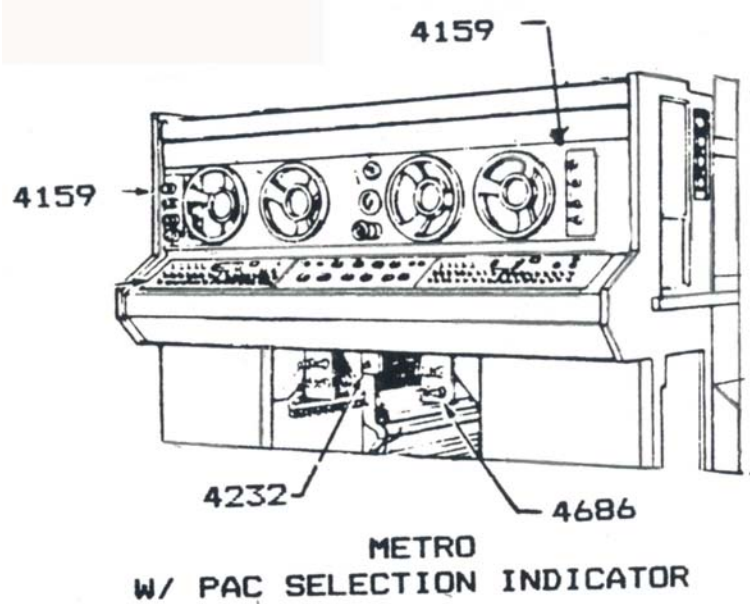


MAIN AIR LINE & UNIT AIR LINE • METRO & METRO-LINER

STOCK NO.	DESCRIPTION	GOSS PART NO.
3027	Air Gage (0-160 lbs.)	771500-0053
4050	Air Lubricator	827900-0036
4051	Air Filter	762901-0101
4052	Filter Element	
4289	Air Lubricator	827900-0036
4304	Air Filter	
4319 *	Coalescing Air Filter	E-005337-0010
4375	Air Regulator	
7865	Air Regulator	

* LATE MODEL PRESSES ONLY

UNIT & HALF-DECK: AIR SYSTEM



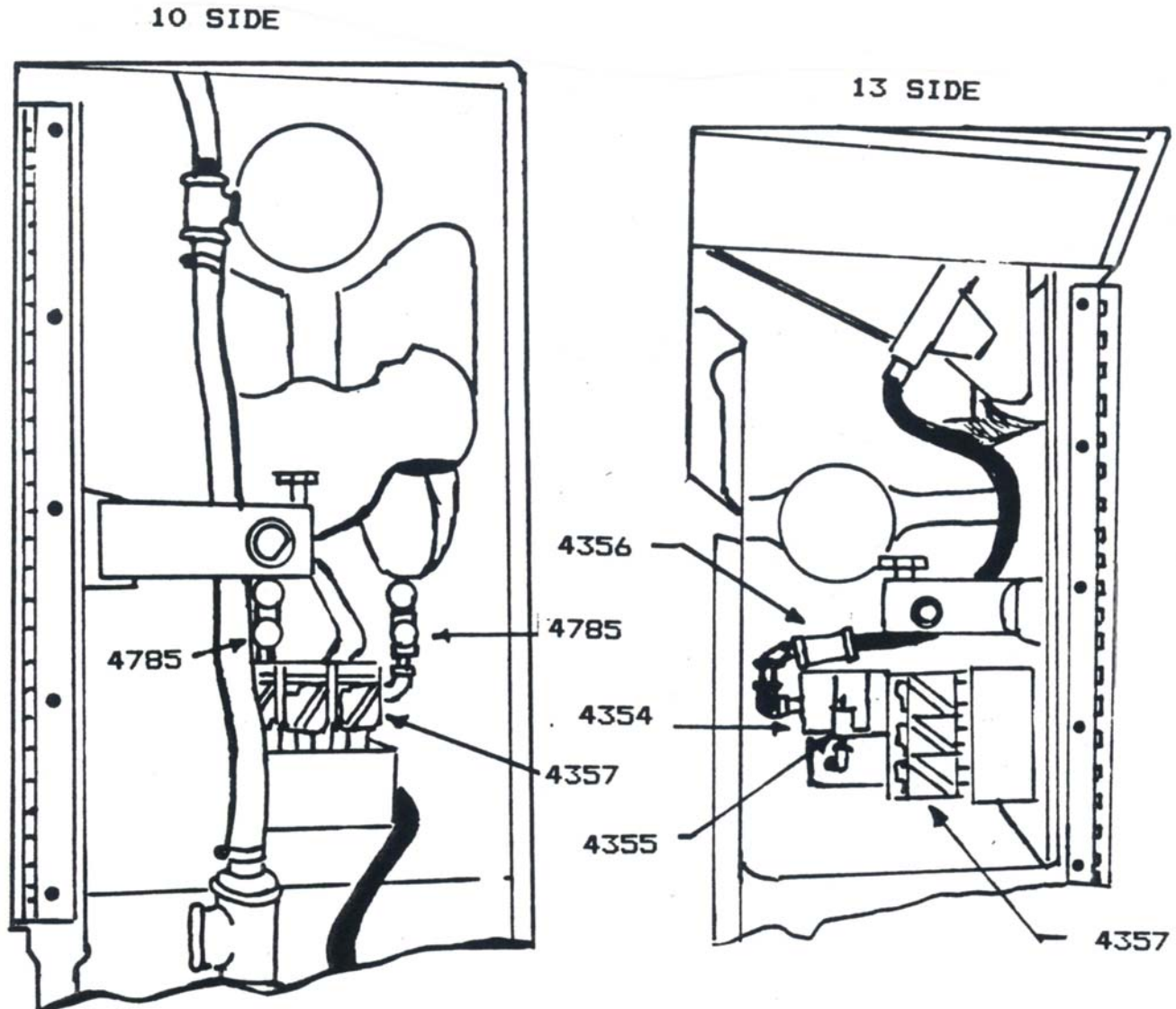
PNEUMATIC SWITCHES & INDICATORS - OP. SIDE • METRO

STOCK NO.	DESCRIPTION	GOSS PART NO.
4159	Pac Selection Air Switch	920512-0006
4232	Wash-Up Air Switch	920512-0008
4686	ITD Flicker Blade Switch	
4687	Finger Guard Indicator	792000-0202

www.a-americanpressparts.com

Check our website for updates!

UNIT & HALF-DECK: AIR SYSTEM



INK TANK COMPARTMENT • UNDER SHOT FOUNTAIN • METRO

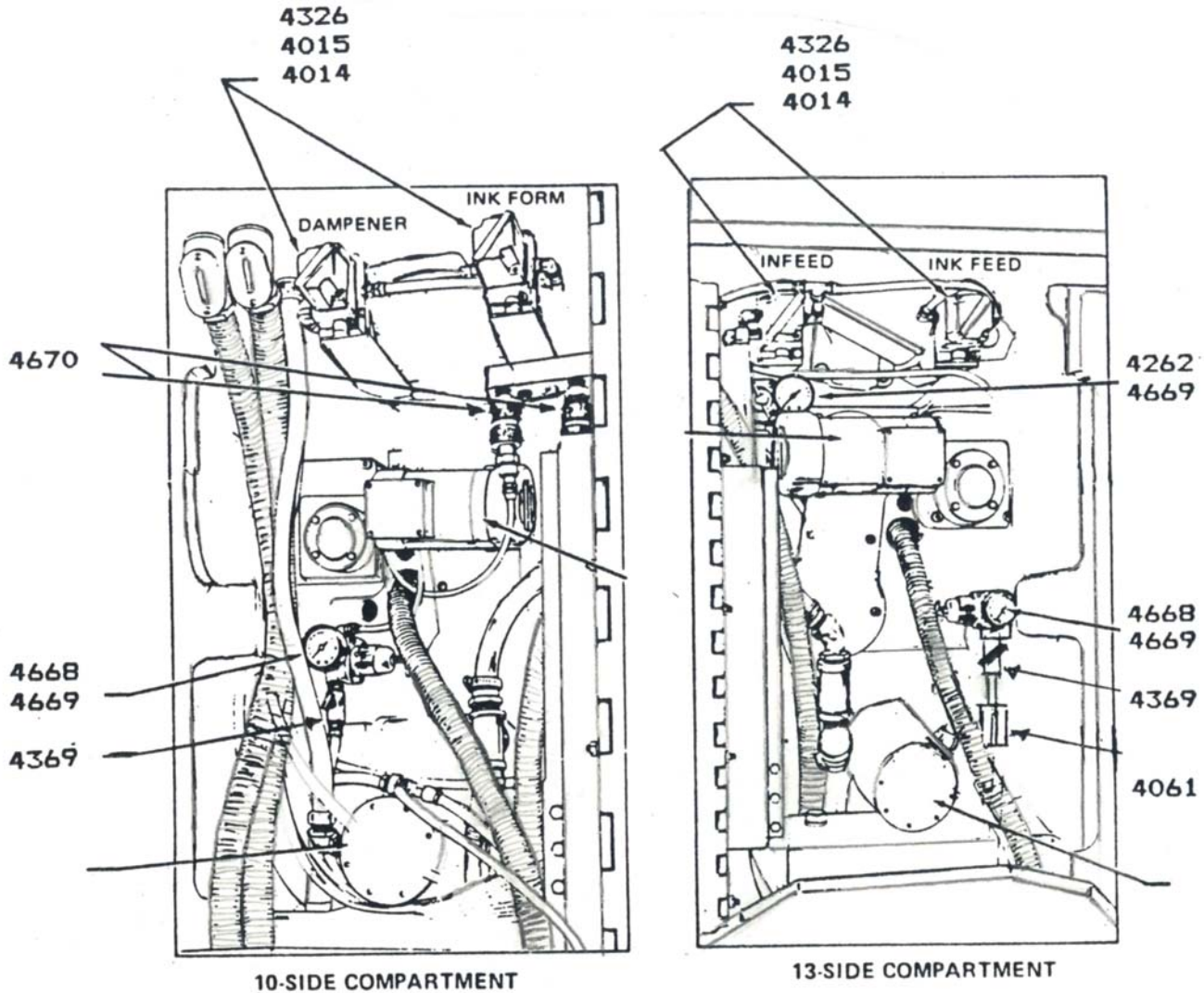
STOCK NO.	DESCRIPTION	GOSS PART NO.
4785 ^	Throw-off Valve	
4785 *	Throw-off Valve	
4354	Valve - Old Style Impression	920502-0048
4355	Air Muffler	837500-0012
4356	Regulator for Impression	920500-0096
4357	Solenoid Valve - Rear Outlet	B-117295-0002

* DAMPENER FORMS (10-13) ^ INK FORMS (10-13)

www.a-americanpressparts.com

Check our website for updates!

UNIT & HALF-DECK: AIR SYSTEM



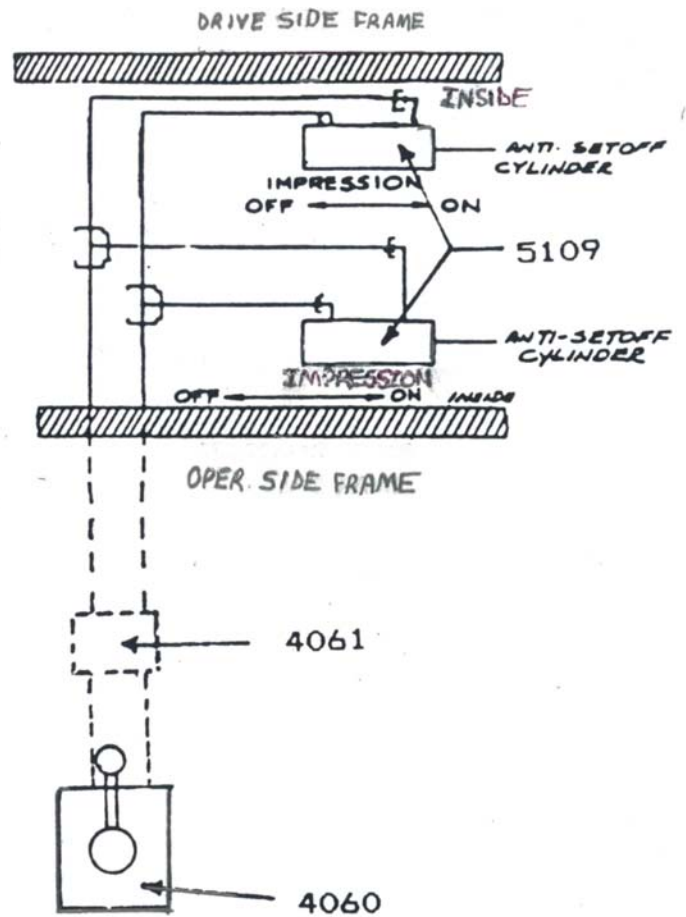
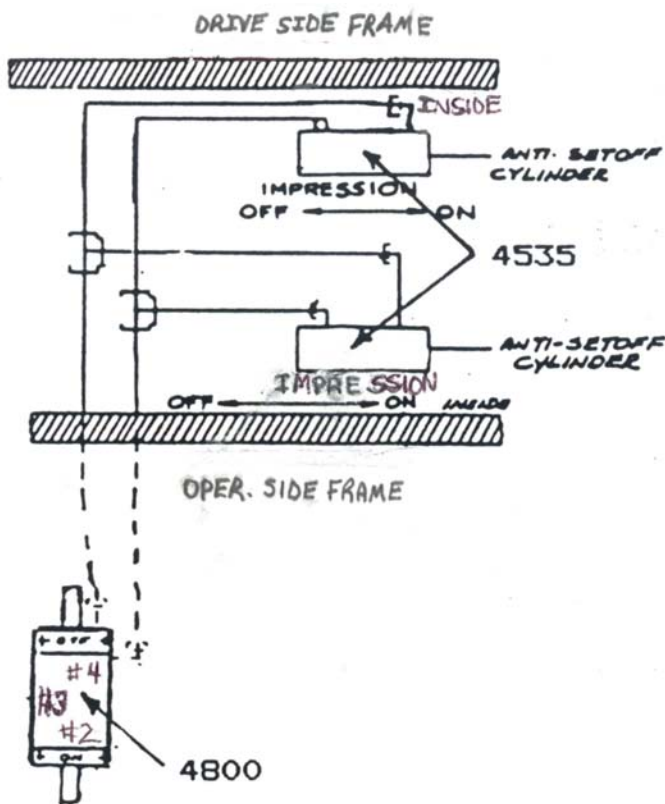
10 & 13 SIDE LEGS - OPERATOR SIDE • METRO

STOCK NO.	DESCRIPTION	GOSS PART NO.
4014	Solenoid with Side Ports	B-117925-0001
4015	Solenoid Repair Kit	
4061	Shuttle Valve	920502-0060
4262	Regulator - Ink Tank Pressure	882704-0010
4326	Solenoid Repair Kit	
4359	Flow Control Valve - Ink Feed	920500-0066
4668	Regulator - Ink Feed Clutch	882704-0011
4669	Gage	771529-0313
4670	Ink Form Shut-off Valve	920502-0035

www.a-americanpressparts.com

Check our website for updates!

UNIT & HALF-DECK: AIR SYSTEM



ANTI-SETOFF PNEUMATIC SYSTEM

STOCK NO.	DESCRIPTION	GOSS PART NO.
4060	Air Switch (Old Style)	920512-0055
4061	Air Shuttle (Old Style)	920502-0060
4535	Air Cylinder (Hi-Lo Cylinder)	116658-0011
4800	Air Switch (New Style)	920502-0074
5109	Air Cylinder (Stationary Cylinder)	116658-0012

www.a-americanpressparts.com

Check our website for updates!

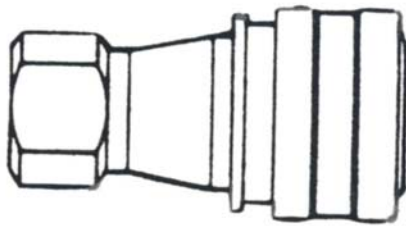
UNIT & HALF-DECK: AIR SYSTEM



CANNISTER AIR HOSE ASSEMBLY

STOCK NO.	DESCRIPTION	GOSS PART NO.
4055	Cannister Air Hose Assy. - 24" lg.	
4056	Cannister Air Hose Assy. - 36" lg.	
4057	Cannister Air Hose Assy. - 48" lg.	
4058	Cannister Air Hose Assy. - 60" lg.	

**** AIR HOSES CAN BE MADE TO CUSTOMER'S SPECIFICATIONS ****



4053



4054

CANNISTER AIR HOSE FITTINGS

STOCK NO.	DESCRIPTION	GOSS PART NO.
4053	Valved Coupling	
4054	Air Feed Valved Nipple	










UNIT & HALF-DECK: AIR SYSTEM

POLY-FLOW FITTINGS

STOCK NO.	DESCRIPTION	GOSS PART NO.
9900	Nut (3/16")	
9901	Nut (1/4")	
9902	Nut (5/16")	
9903	Nut (3/8")	
9904	Nut (1/2")	
9905	Sleeve (3/16")	
9906	Sleeve (1/4")	
9907	Sleeve (5/16")	
9908	Sleeve (3/8")	
9909	Sleeve (1/2")	
9910	Tube Connector (3/16")	
9911	Tube Connector (1/4")	
9912	Tube Connector (5/16")	
9913	Tube Connector (3/8")	
9914	Tube Connector (1/2")	
9915	Male Connector (3/16" x 1/8" MPT)	
9916	Male Connector (1/4" x 1/8" MPT)	
9917	Male Connector (1/4" x 1/4" MPT)	
9918	Male Connector (5/16" x 1/8" MPT)	
9919	Male Connector (3/8" x 1/8" MPT)	
9920	Male Connector (3/8" x 1/4" MPT)	
9921	Male Connector (1/2" x 3/8" MPT)	
9922	Male Elbow (3/16" x 1/8" MPT)	
9923	Male Elbow (1/4" x 1/8" MPT)	
9924	Male Elbow (5/16" x 1/8" MPT)	
9925	Male Elbow (3/8" x 1/8" MPT)	
9926	Male Elbow (3/8" x 1/4" MPT)	
9927	Male Elbow (1/2" x 3/8" MPT)	
9928	Tube Connector Tee (3/16")	
9929	Tube Connector Tee (1/4")	
9930	Tube Connector Tee (5/16")	
9931	Tube Connector Tee (3/8")	
9932	Tube Connector Tee (1/2")	
9933	Male Branch Tee (3/16" x 1/8" MPT)	
9934	Male Branch Tee (1/4" x 1/8" MPT)	
9935	Male Branch Tee (5/16" x 1/8" MPT)	
9936	Male Branch Tee (3/8" x 1/8" MPT)	
9937	Male Branch Tee (3/8" x 1/8" MPT)	
9940	Quick Disconnect (5/16" Tube x 1/8" MPT)	

UNIT & HALF-DECK: AIR SYSTEM

LEGRIS FITTINGS

STOCK NO.	DESCRIPTION	GOSS PART NO.
9700	Union (1/4" Tube) 	
9701	Union Tee (1/4" Tube) 	
9702	Union Elbow (1/4" Tube) 	
9703	Double Male Union (1/4" Tube) 	
9704	Male Connector (1/4" Tube x 1/8" MPT)	
9705	Male Connector (1/4" Tube x 1/4" MPT)	
9706	Bulkhead Union (1/4" Tube) 	
9707	Male Elbow (1/4" Tube x 1/8" MPT)	
9708	Male Elbow (1/4" Tube x 1/4" MPT)	
9709	Male Run Tee (1/4" Tube x 1/8" MPT)	
9710	Male Run Tee (1/4" Tube x 1/4" MPT)	
9711	Male Branch Tee (1/4" Tube x 1/8" MPT)	
9712	Male Branch Tee (1/4" Tube x 1/4" MPT)	

**** ALL SIZES AVAILABLE ****

UNIT & HALF-DECK: AIR SYSTEM

HI-DUTY FITTINGS

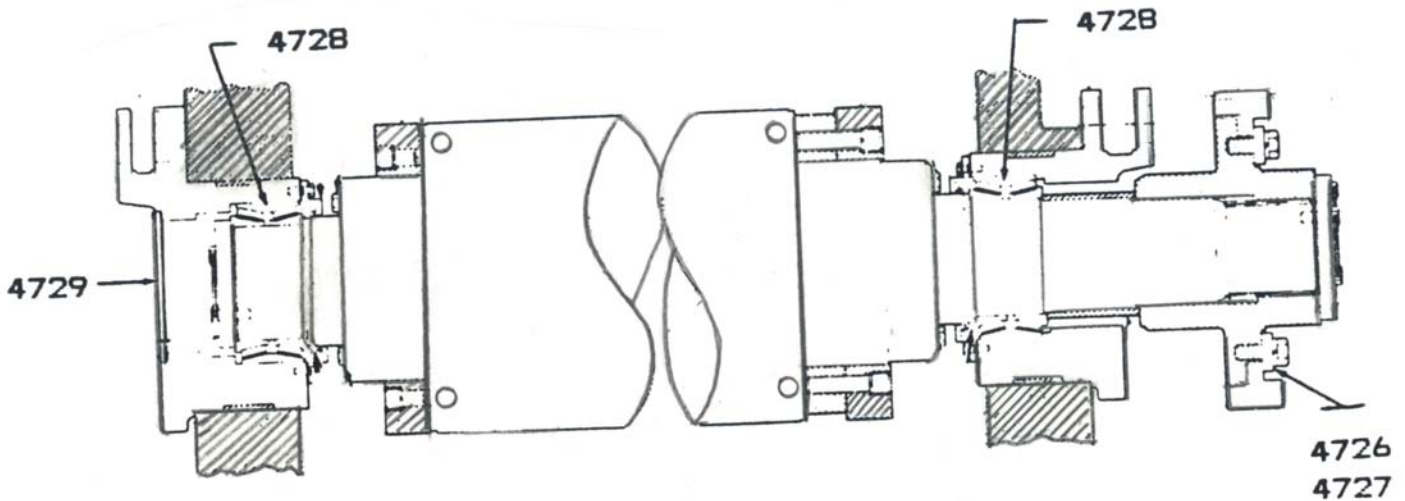
STOCK NO.	DESCRIPTION	GOSS PART NO.
9800	Nut (3/16" Tube)	
9801	Nut (1/4" Tube)	
9802	Nut (5/16" Tube)	
9803	Nut (3/8" Tube)	
9804	Nut (1/2" Tube)	
9805	Nut (5/8" Tube)	
9806	Nut (3/4" Tube)	
9807	Union (3/16" Tube)	
9808	Union (1/4" Tube)	
9809	Union (5/16" Tube)	
9810	Union (3/8" Tube)	
9811	Union (1/2" Tube)	
9812	Union (5/8" Tube)	
9813	Union (3/4" Tube)	
9814	Male Connector (3/16" Tube x 1/8" MPT)	
9815	Male Connector (1/4" Tube x 1/8" MPT)	
9816	Male Connector (5/16" Tube x 1/8" MPT)	
9817	Male Connector (3/8" Tube x 1/8" MPT)	
9818	Male Connector (3/8" Tube x 1/4" MPT)	
9819	Male Connector (1/2" Tube x 1/2" MPT)	
9820	Male Connector (5/8" Tube x 1/2" MPT)	
9821	Male Connector (3/4" Tube x 1/2" MPT)	
9822	Male Elbow (3/16" Tube x 1/8" MPT)	
9823	Male Elbow (1/4" Tube x 1/8" MPT)	
9824	Male Elbow (5/16" Tube x 1/8" MPT)	
9825	Male Elbow (3/8" Tube x 1/8" MPT)	
9826	Male Elbow (3/8" Tube x 1/4" MPT)	
9827	Male Elbow (3/8" Tube x 3/8" MPT)	
9828	Male Elbow (1/2" Tube x 1/4" MPT)	
9829	Male Elbow (1/2" Tube x 3/8" MPT)	
9830	Union Tee (3/16" Tube)	
9831	Union Tee (1/4" Tube)	
9832	Union Tee (5/16" Tube)	
9833	Union Tee (3/8" Tube)	
9834	Union Tee (1/2" Tube)	
9835	Union Tee (5/8" Tube)	
9836	Union Tee (3/4" Tube)	
9837	Male Branch Tee (3/16" Tube x 1/8" MPT)	
9838	Male Branch Tee (1/4" Tube x 1/8" MPT)	
9839	Male Branch Tee (5/16" Tube x 1/8" MPT)	
9840	Male Branch Tee (3/8" Tube x 1/8" MPT)	
9841	Male Branch Tee (3/8" Tube x 1/4" MPT)	



1-888-434-0888
TOLL FREE

UNIT & HALF-DECK: NOTES

UNIT & HALF-DECK: CYLINDERS



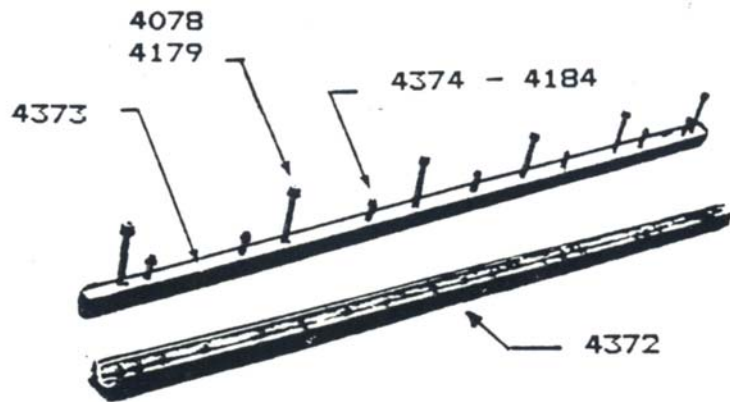
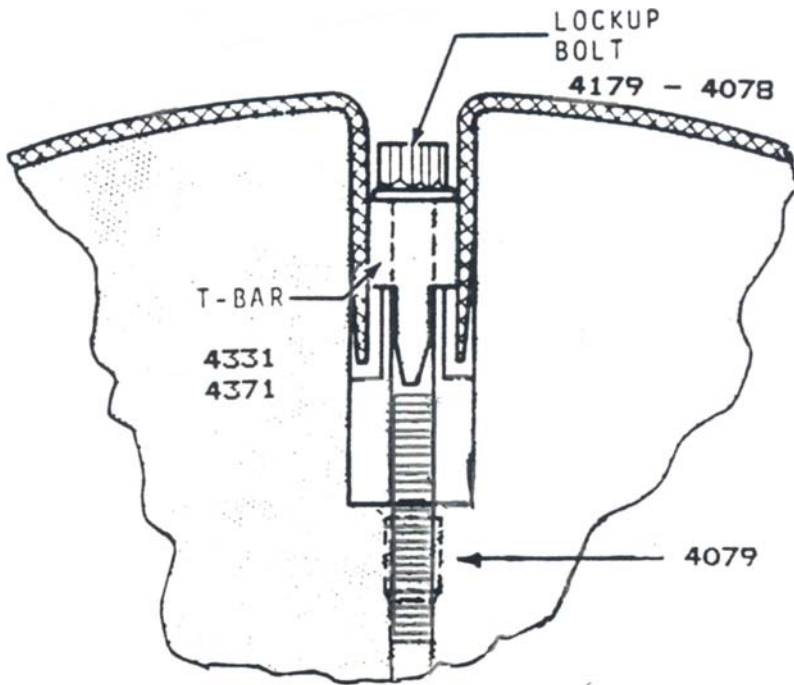
BANKET CYLINDER ASSEMBLY #11 - 12 & # 1700 - 1800 CYLINDER W/O SILENCING

STOCK NO.	DESCRIPTION	GOSS PART NO.
4726	Brass Washer	
4727	Steel Washer	AR-001504-0001
4728	Bearing	722673-1553
4729	Plastic End Cover	

www.a-americanpressparts.com

Check our website for updates!

UNIT & HALF-DECK: CYLINDERS



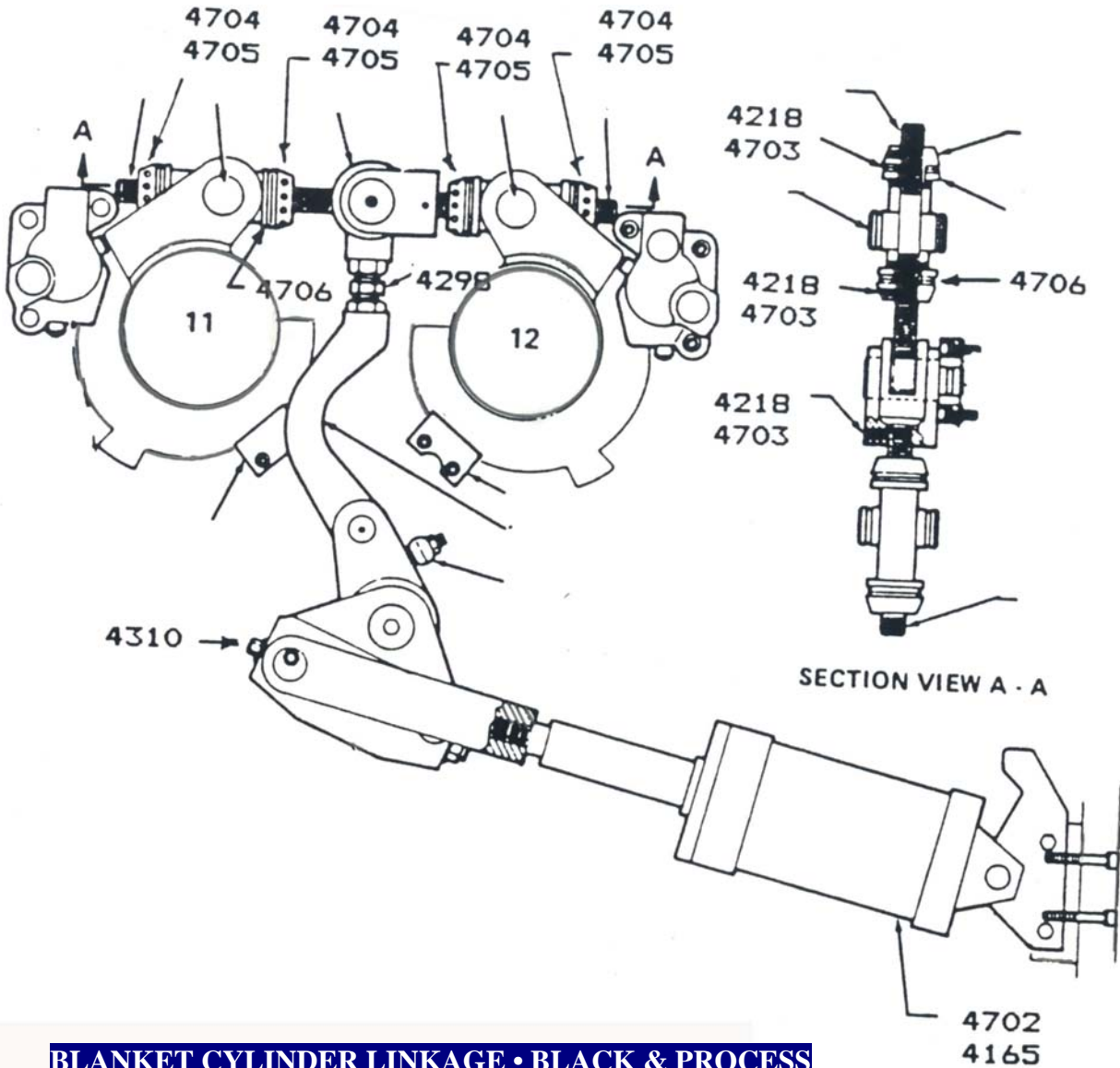
BLANKET CYLINDER LOCK-UP

STOCK NO.	DESCRIPTION	GOSS PART NO.
4078	Blanket Bolt for #4371	
4079	Heli-Coil	794041-2010
4179	Blanket Hod-Down Screw	B-127100-0001
4184	Short Screw - 12 pt. Hd Nylock	
4331	T-Bar - Standard	C-088603-0001
4371	T-Bar - Narrow Gap	
4372	Bar	D-020505-0001
4373	Wedge	D-020504-0001
4374	Short Screw - Hex Hd, Nylock	B-127588-0001

www.a-americanpressparts.com

Check our website for updates!

UNIT & HALF-DECK: CYLINDERS



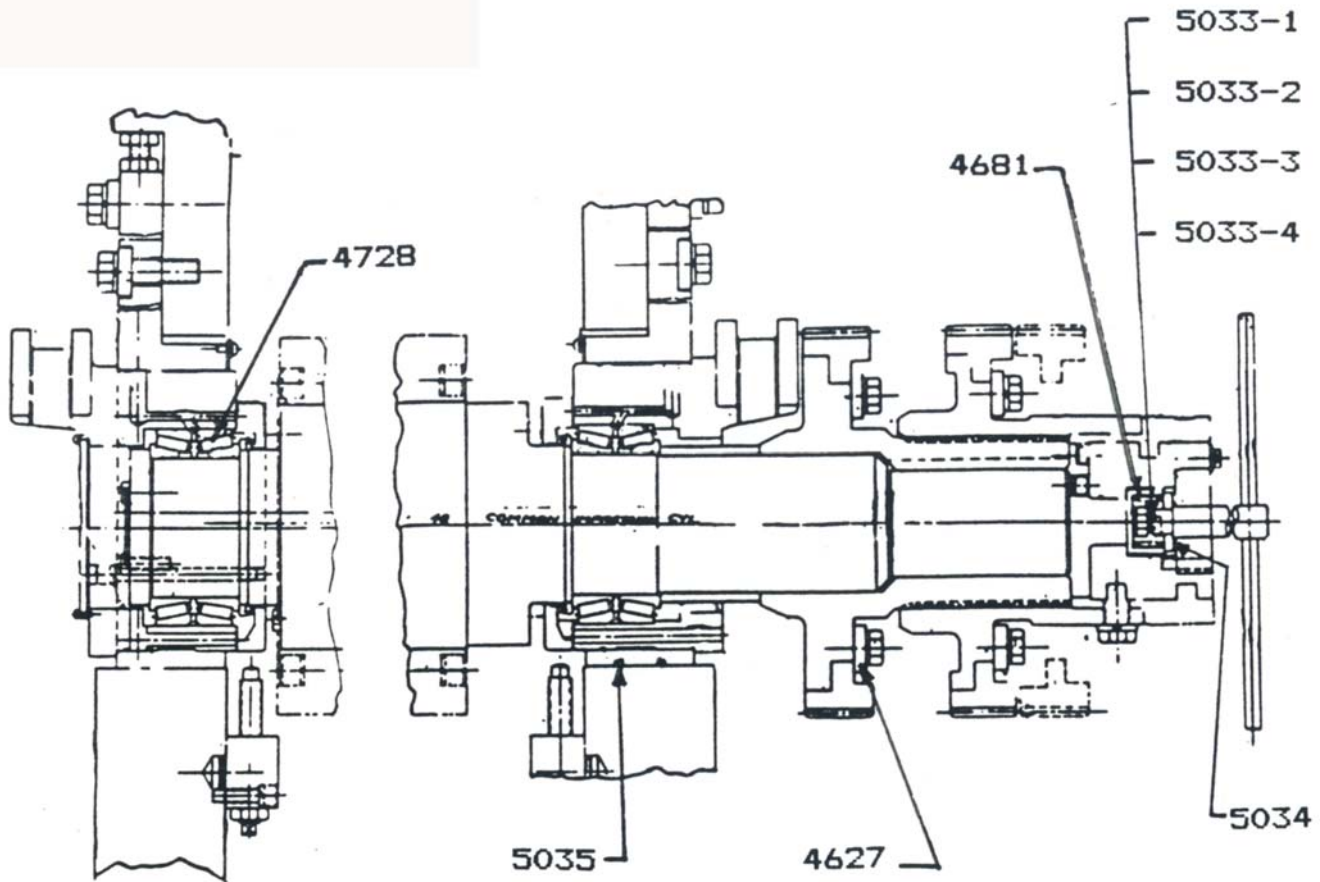
BLANKET CYLINDER LINKAGE • BLACK & PROCESS

STOCK NO.	DESCRIPTION	GOSS PART NO.
4165	Air Cylinder	739902-0016
4218	Set Screw	891214-1921
4298	Turnbuckle	B-128494-0001
4310	Change-over Screw	B-116290-0001
4702	Air Cylinder	739902-0016
4703	Nylon Plug	865500-0335
4704	Nut - 13-11/16" Press	B-145913-0001
4705	Nut -014-1/32 to 15" Press	B-139715-0001
4706	Spring Disc	897015-2700

www.a-americanpressparts.com

Check our website for updates!

UNIT & HALF-DECK: CYLINDERS



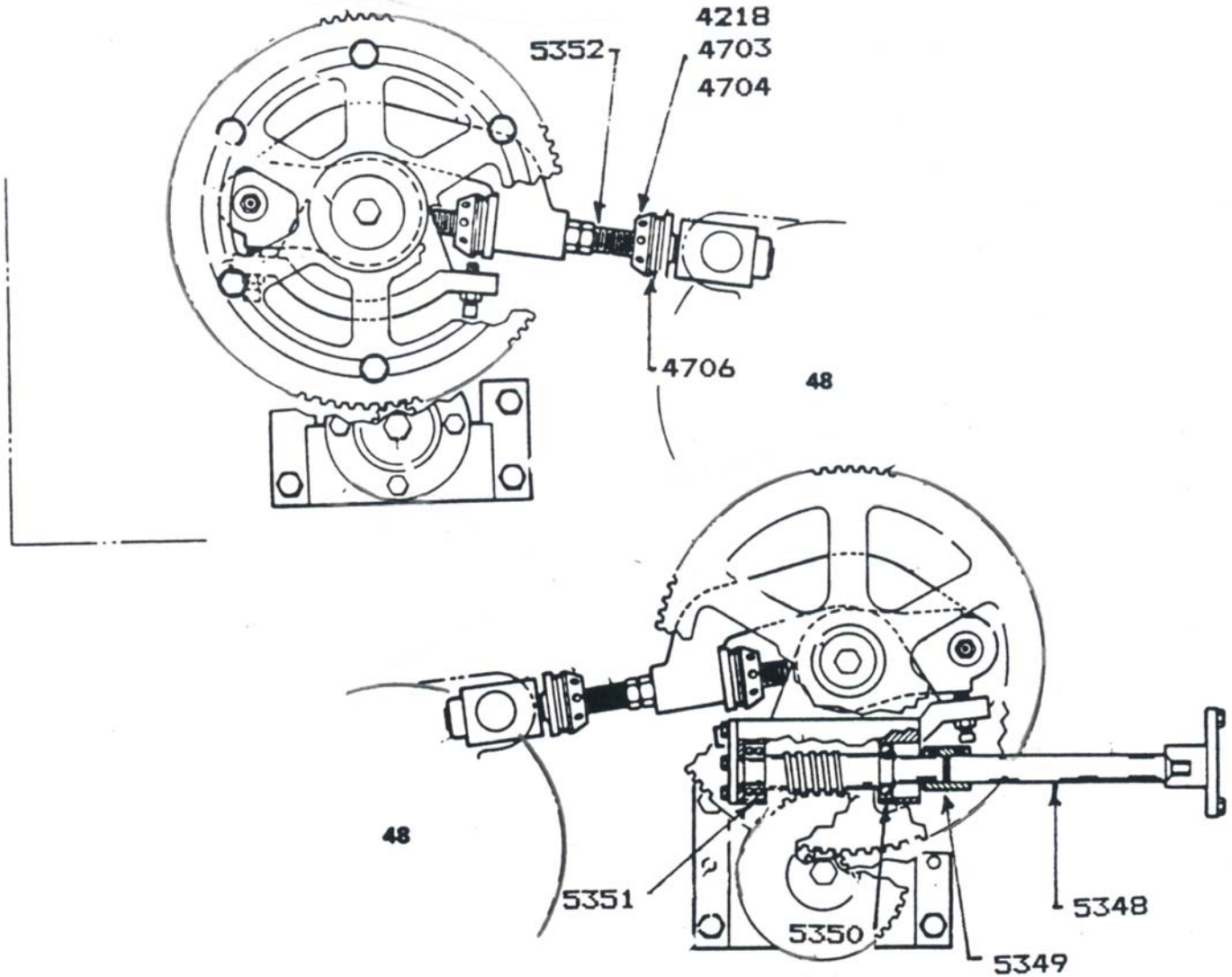
COMMON IMPRESSION CYLINDERS • METRO

STOCK NO.	DESCRIPTION	GOSS PART NO.
4627	Washer	AR-1504-0001
4681	Spring	B-116196-0001
4728	Bearing	722673-1153
5033-1	Sliding Gear Plate	C-090794-0001
5033-2	Sliding Gear Sleeve	D-020533-0000
5033-3	Sliding Gear Hub	C-067493-0001
5033-4	Locking Sleeve	C-067495-0000
5034	Locking Plate	B-116200-0001
5035	O-ring	C-040162-0275

www.a-americanpressparts.com

Check our website for updates!

UNIT & HALF-DECK: CYLINDERS



COMMON CYLINDER ASSEMBLY

STOCK NO.	DESCRIPTION	GOSS PART NO.
4218	Nylock Set Screw	891214-1921
4703	Nylock Plug	865500-0335
4704	Nut - 14-1/2" to 15" Press	B-139715-0001
4706	Spring Disc	897015-2700
5348	Shaft	C-088643-0001
5349	Coupling	B-139862-0001
5350	Bearing	C-040104-6206
5351	Bearing	722605-2789
5352	Throwoff Shaft	B-139712-0004

UNIT & HALF-DECK: CYLINDERS

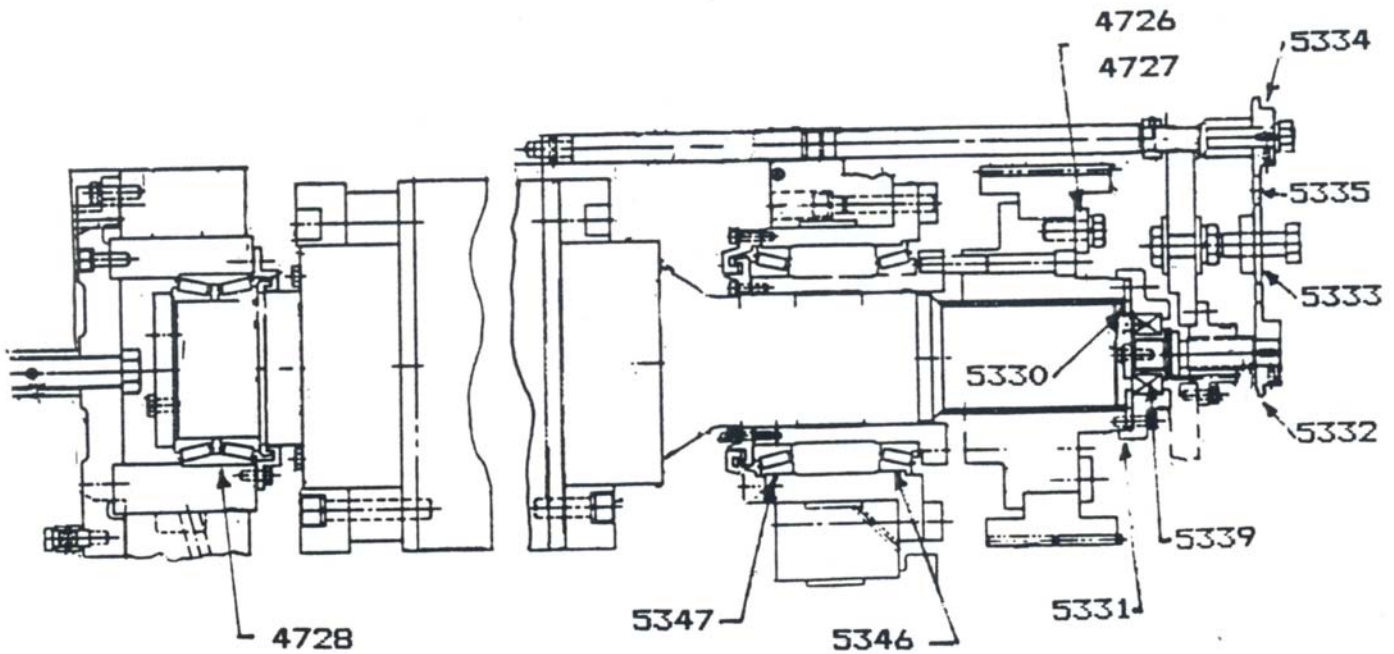


PLATE CYLINDER ASSY W/ CIRCUMFERENTIAL & SIDELAY 10 - 13, & 1701 - 1801

STOCK NO.	DESCRIPTION	GOSS PART NO.
4726	Brass Washer	
4727	Steel Washer	AR-001504-0001
4728	Bearing	722673-1553
5330	Spacer	B-114123-0001
5331	Cap	B-118401-0000
5332	Sprocket	B-116054-0001
5333	Sprocket	B-116052-0001
5334	Sprocket	B-116051-0001
5335	Chain	732404-1055
5339	Bearing	C-040106-5208
5346	Bearing	722673-1515
5347	Bearing	722673-1517

www.a-americanpressparts.com

Check our website for updates!

UNIT & HALF-DECK: CYLINDERS

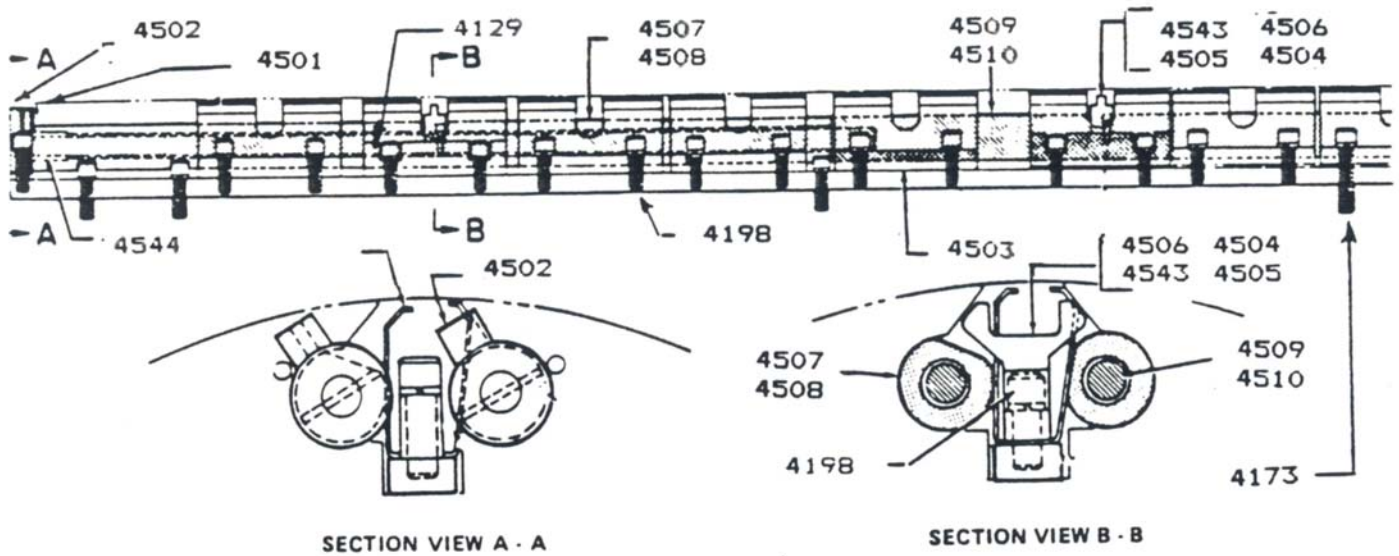


PLATE CYLINDER LOCKUP ASSEMBLY • METRO

STOCK NO.	DESCRIPTION	GOSS PART NO.
4129	Clamp Block	B-134908-0001
4173	SS Allen Screw (5/16 x 1-1/2)	891201-7008
4198	SS Allen Screw (5/16 x 1)	891201-0216
4501	Inner Lockup Lug	B-136135-0001
4502	Outer Lockup Lug	B-136134-0001
4504	Register Bracket	C-134909-0001
4505	Register Bracket	C-134909-0002
4506	Register Bracket	C-134909-0003
4507	Outer Shaft (58" - 60" Web)	B-134735-0011
4508	Outer Shaft (60" - 62" Web)	B-134735-0012
4509	Shaft Assembly (58" - 60" Web)	B-134752-0001 & 11
4510	Shaft Assembly (60" - 62" Web)	B-134752-0002 & 12
4543	Register Bracket Screw	891201-0032
4544	Bushing	729457-0029
4189	Set Screw for Inner Lug	

UNIT & HALF-DECK: CYLINDERS

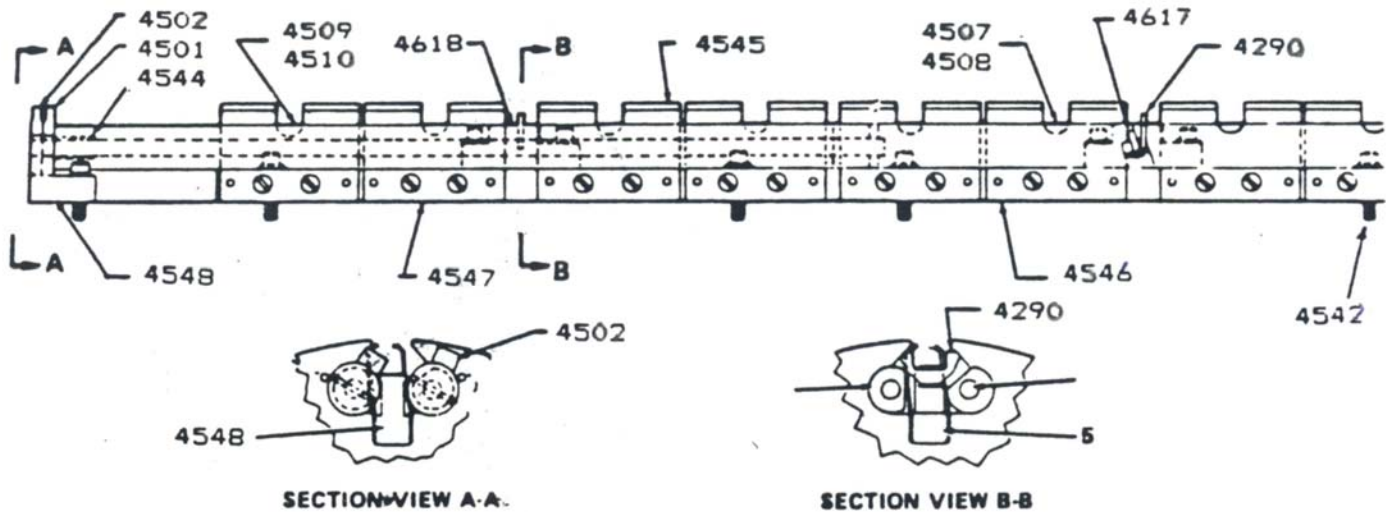


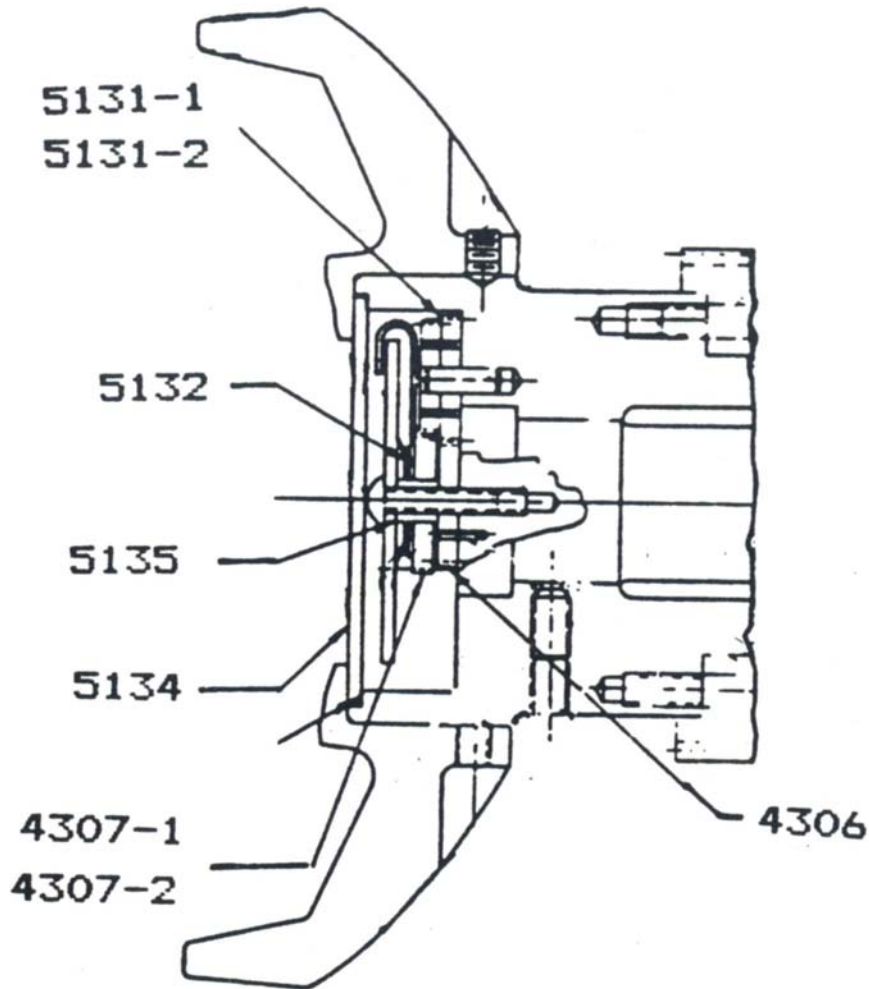
PLATE LOCK-UP ASSEMBLY • METRO & METRO-LINER

STOCK NO.	DESCRIPTION	GOSS PART NO.
4290	Register Pin	B-138569-0002
4501	Lug (Inner)	B-136135-0001
4502	Lug (Outer)	B-136134-0001
4507	Outer Shaft (58" - 60" Web)	B-134735-0011
4508	Outer Shaft (60" - 62" Web)	B-134735-0012
4509	Inner Shaft Assembly (58" - 60" Web)	B-134752-0001 & 11
4510	Inner Shaft Assembly (60" - 62" Web)	B-134752-0002 & 12
4542	Screw for Support Bar	891201-6491
4544	Bushing	729457-0029
4546	Lock-up Spring Holder	C-098347-0001
4547	Lock-up Spring Holder	C-098348-0004
4548	Lock-up Stop	B-147081-0001
4617	Register Bracket Screw	B-138617-0004
4618	Register Bracket Support	B-147342-0001

www.a-americanpressparts.com

Check our website for updates!

UNIT & HALF-DECK: CYLINDERS



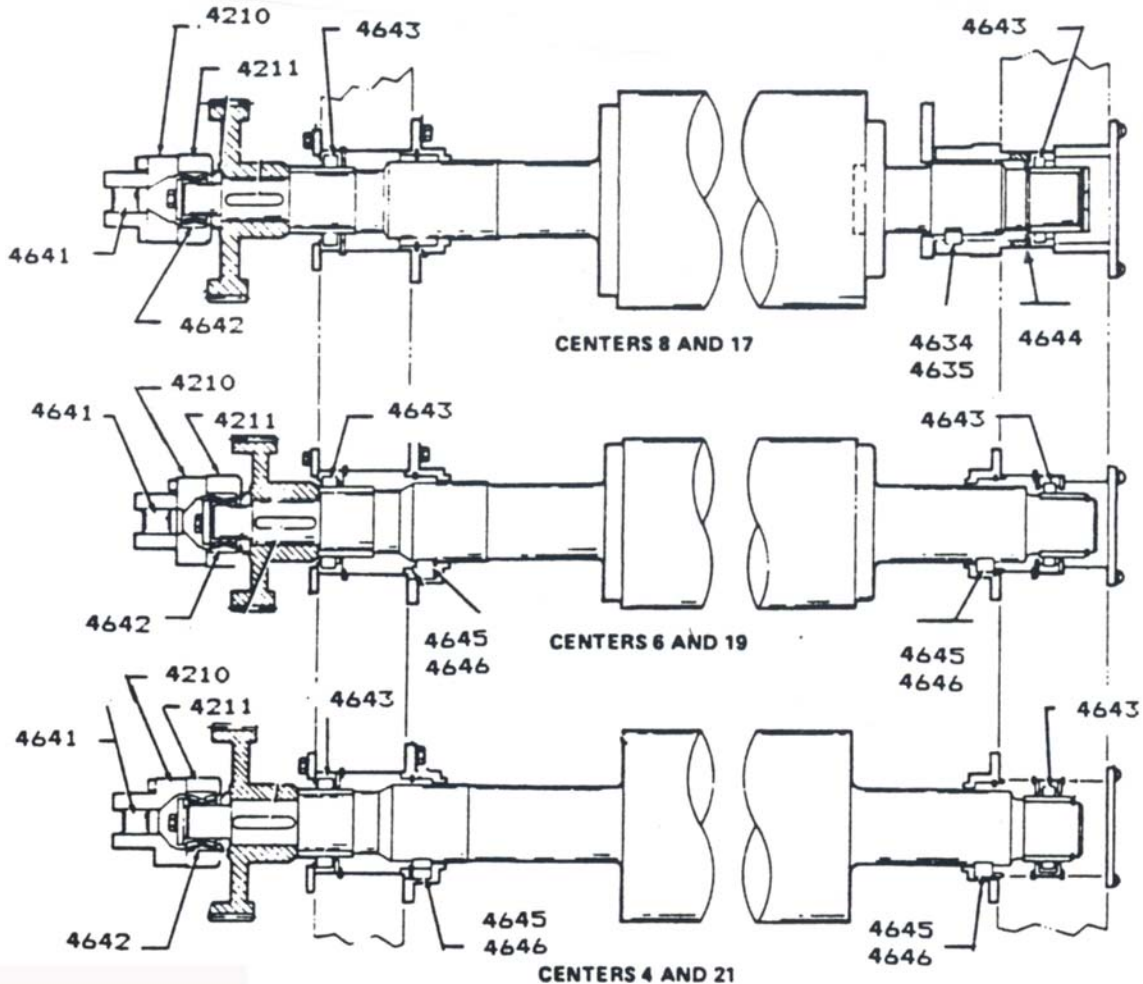
MANUAL CIRCUM - REGISTER & SIDELAY - METRO

STOCK NO.	DESCRIPTION	GOSS PART NO.
4306	Gear (36 teeth)	B-115963-0001
4307-1	Gear & Pointer (37 teeth)	B-012197-0000
4307-2	Gear & Pointer (40 teeth)	B-115878-0001
5131-1	Gear - Circum. Assy	B-115681-0001
5131-2	Gear - Sidelay Assy.	B-125196-0001
5132	Spring	897000-0275
5133	Oilite Bushing	729457-1058
5134	Window	B-115879-0001
5135	Spacer	B-115849-0001

www.a-americanpressparts.com

Check our website for updates!

UNIT & HALF-DECK: CYLINDERS

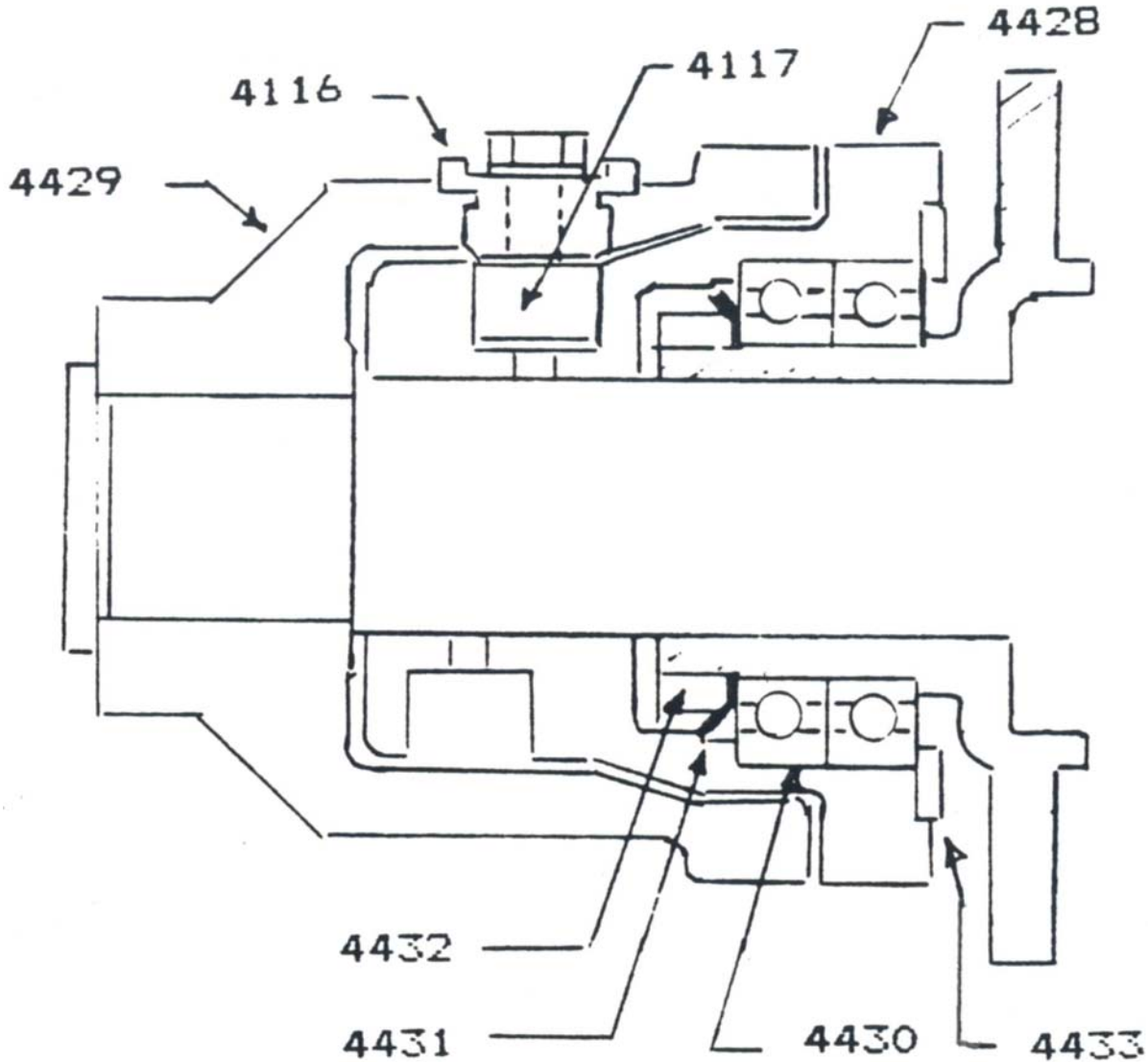


VIBRATED INK DRUM

STOCK NO.	DESCRIPTION	GOSS PART NO.
4210	Vibrator Link Bracket	C-080006-0001
4211	Bearing Retainer	B-114079-0001
4634 *	Oil Wiper	B-103209-0001
4635 *	Oil Wiper Spring	B-095893-0001
4641	Pin	
4642	Bearing	B-116354-0001
4643	Bearing	722673-0191
4644	Wave Washer	930881-0100
4645 +	Oil Wiper	B-130953-0001
4646 +	Oil Wiper Spring	B-130954-0001

* CENTERS 8 & 17
 + CENTERS 6 & 19, 4 & 21

UNIT & HALF-DECK: CYLINDERS



WATER DRUM VIBRATOR

STOCK NO.	DESCRIPTION	GOSS PART NO.
4116	Adapter	B-123928-0001
4117	Cam Follower	766509-1014
4428	Cam	D-023658-0001
4429	Cam Gear	C-073925-0001
4430	Bearing	722605-0226
4431	Lock Washer	C-040124-0113
4432	Lock Nut	C-040123-0113
4433	End Plate	B-123962-0001

www.a-americanpressparts.com

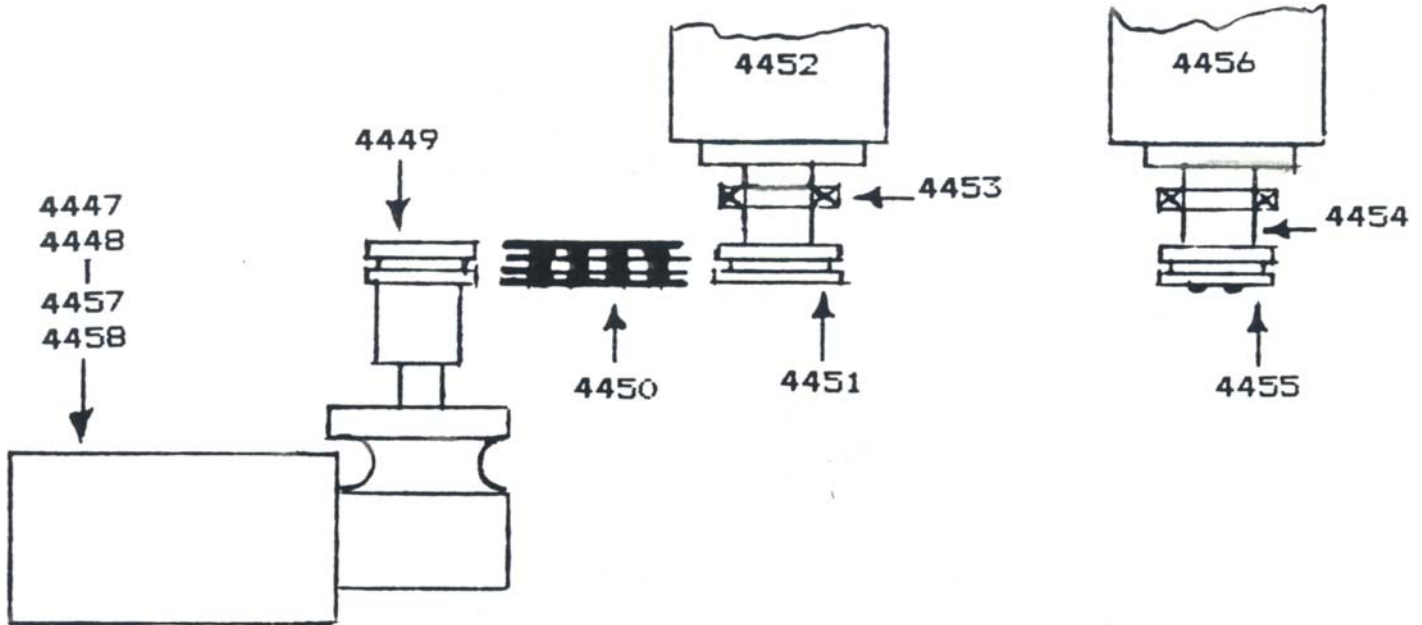
Check our website for updates!



1-888-434-0888
TOLL FREE

UNIT & HALF-DECK: NOTES

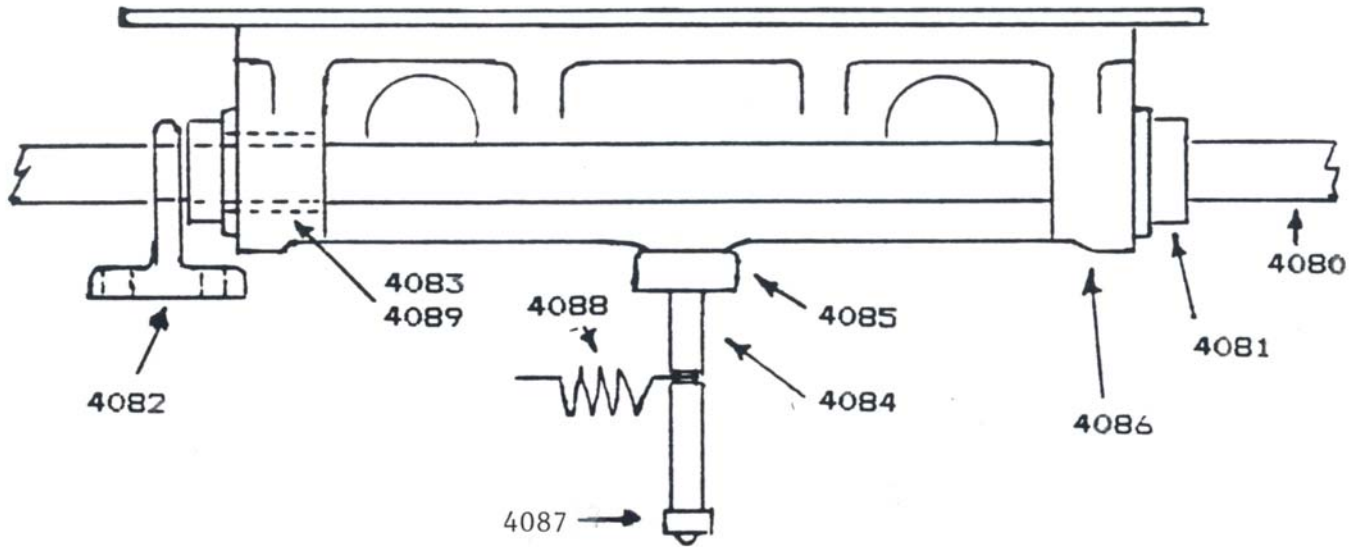
UNIT & HALF-DECK: DAMPENER SYSTEMS



ARCH DAMPENER DRIVE & BRUSH ASSEMBLY

STOCK NO.	DESCRIPTION	GOSS PART NO.
4447	Brush Motor 10 Side (New)	D-024563-0001
4448	Brush Motor 13 Side (New)	D-024563-0002
4449	Motor Sprocket	B-124318-0001
4450	Drive Chain	732403-2041
4451	Brush Sprocket	B-124319-0001
4452	Brush	C-074189-0001
4453	Brush Bearing	722605-0292
4454	Spacer	B-146851-0001
4455	Brush Sprocket	B-146530-0001
4456	Brush	C-997957-0001
4457	Brush Motor 10 Side (Rebuilt)	
4458	Brush Motor 13 Side (Rebuilt)	

UNIT & HALF-DECK: DAMPENER SYSTEMS

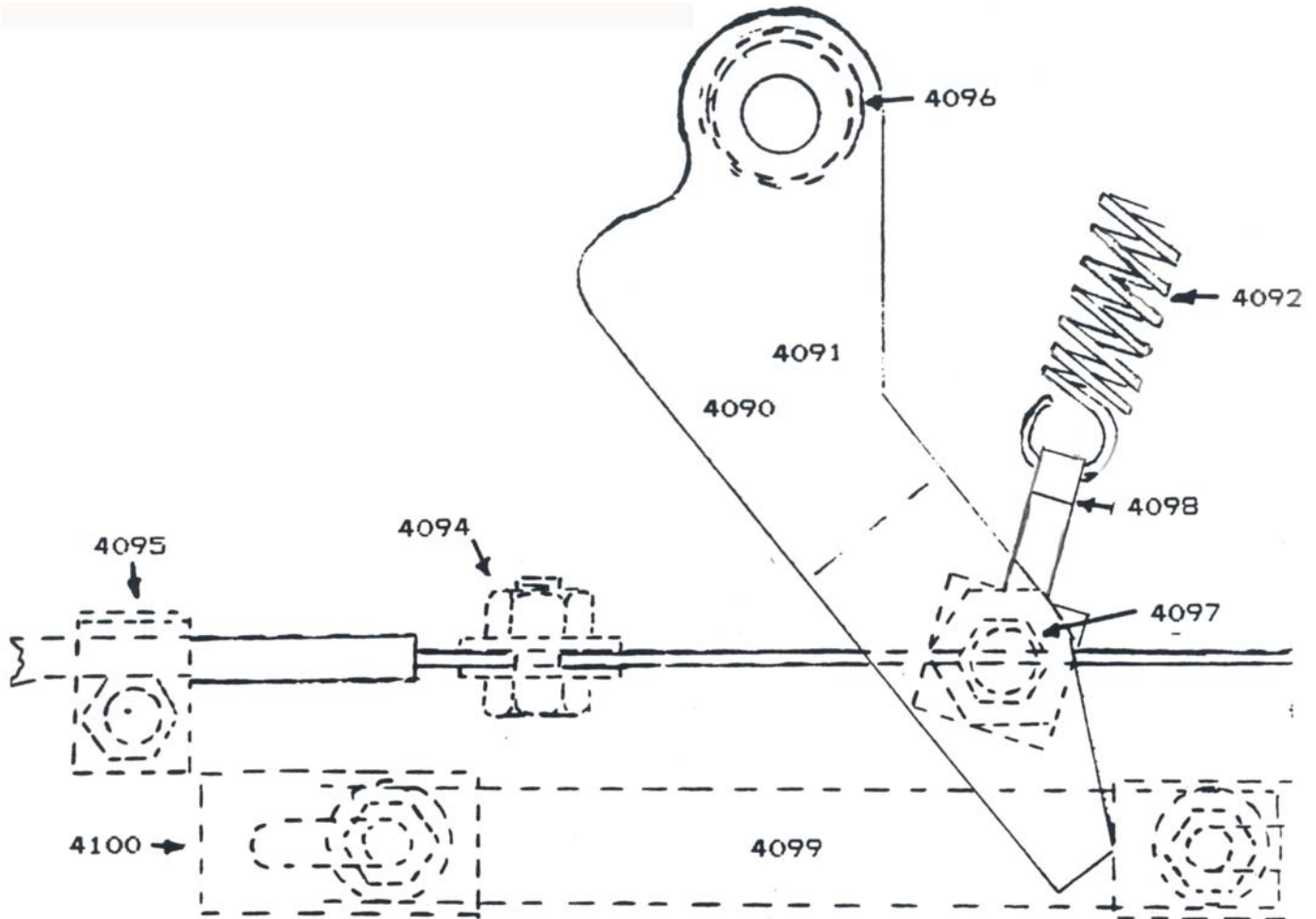


ARCH DAMPENER FLICKER SHAFT ASSEMBLY

STOCK NO.	DESCRIPTION	GOSS PART NO.
4080	Main Flicker Shaft	B-124317-0001
4081	Flicker Collar	C-040082-1000
4082	Flicker Bracket	B-124320-0001
4083 *	Flicker Bushing - 3/8" W	B-124316-0114
4084	Flicker Shaft	B-124389-0001
4085	Flicker Shaft Cover	B-124312-0001
4086	Flicker	C-074291-0001
4087	Flicker Shaft Bearing	722600-0071
4088	Flicker Shaft Spring	089017-7516
4089 +	Flicker Bushing - 5/8" W	B-124316-0001

* POST PRESS NO. 3076
 + PRE PRESS NO. 3076

UNIT & HALF-DECK: DAMPENER SYSTEMS



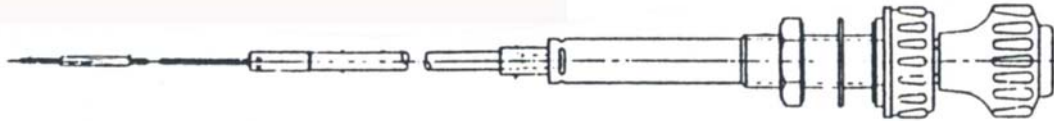
ARCH DAMPENER FLICKER ASSEMBLY

STOCK NO.	DESCRIPTION	GOSS PART NO.
4090	Cam - 10 Side	C-074333-0002
4091	Cam - 13 Side	C-074333-0001
4092	Cam Spring	897017-5022
4094	Travel Limit Screw	B-124807-0001
4095	Wire Clamp	C-040058-0512
4096	Cam Collar	
4097	Cam Bolt	B-124353-0001
4098	Cam Spring Holder	B-124348-0001
4099	Cam Stop Guide	B-124407-0002
4100	Cam Stop	B-131908-0001

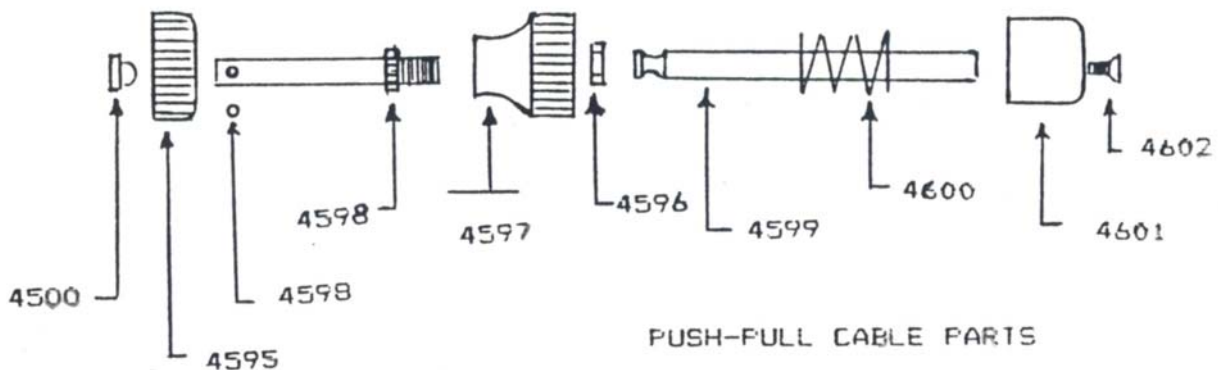
www.a-americanpressparts.com

Check our website for updates!

UNIT & HALF-DECK: DAMPENER SYSTEMS



PUSH-PULL CABLE (COMPLETE)

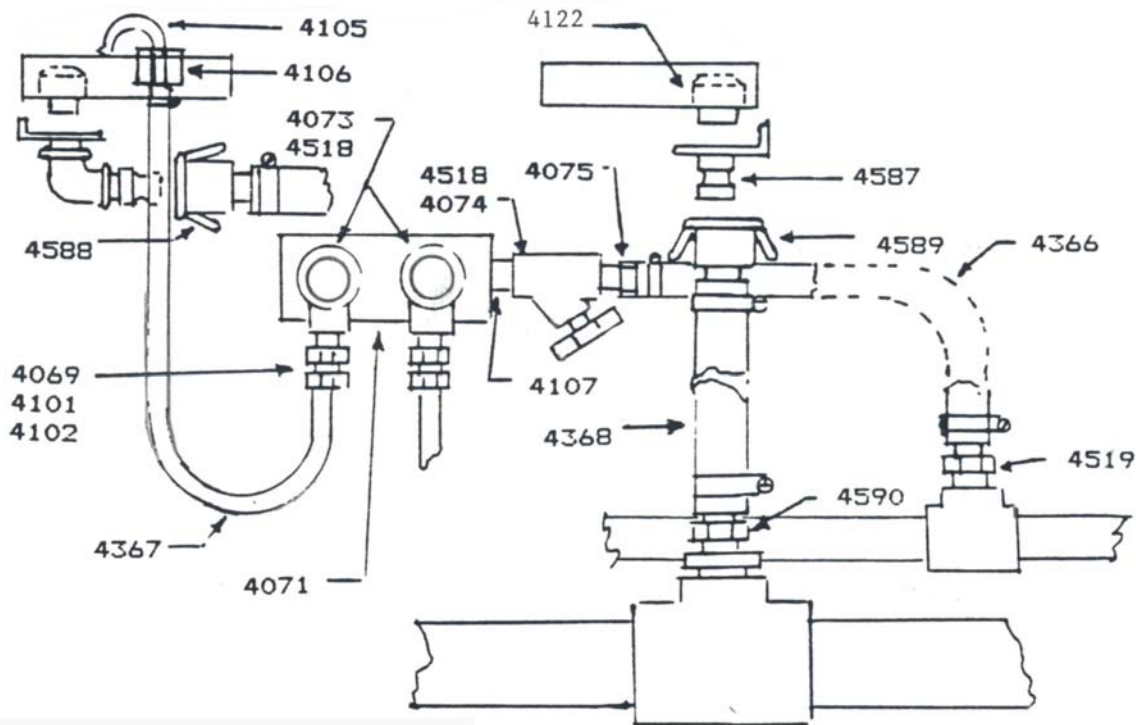


PUSH-PULL CABLE PARTS

PUSH-PULL CABLES & PARTS

STOCK NO.	DESCRIPTION	GOSS PART NO.
4500	Rubber Tension Nut	B-044117-0001
4595	Lock Hub	
4596	Nut for Knob	A-050904-0055
4597	Vernier Control Knob	B-043517-0001
4598	Ball	A-044073-0001
4599	Shaft	
4600	Spring	A-043513-0001
4601	Vernier Release Knob	A-043516-0001
4602	Flat Head Screw	A-050118-0797
4570	Push-Pull Cable (37") ASO	C-074737-0012
4571	Push-Pull Cable (51") ASO	C-074737-0013
4572	Push-Pull Cable (67") ASO	C-074737-0014
4573	Push-Pull Cable (80") ASO	C-074737-0015
4574	Push-Pull Cable (92") HD	C-074767-0001
4575	Push-Pull Cable (76") HD	C-074767-0002
4576	Push-Pull Cable (60") HD	C-074767-0003
4577	Push-Pull Cable (44") HD	C-074767-0004
4578	Push-Pull Cable (36") UNIT	C-074767-0005
4579	Push-Pull Cable (50") UNIT	C-074767-0006
4580	Push-Pull Cable (66") UNIT	C-074767-0007
4581	Push-Pull Cable (82") UNIT	C-074767-0008

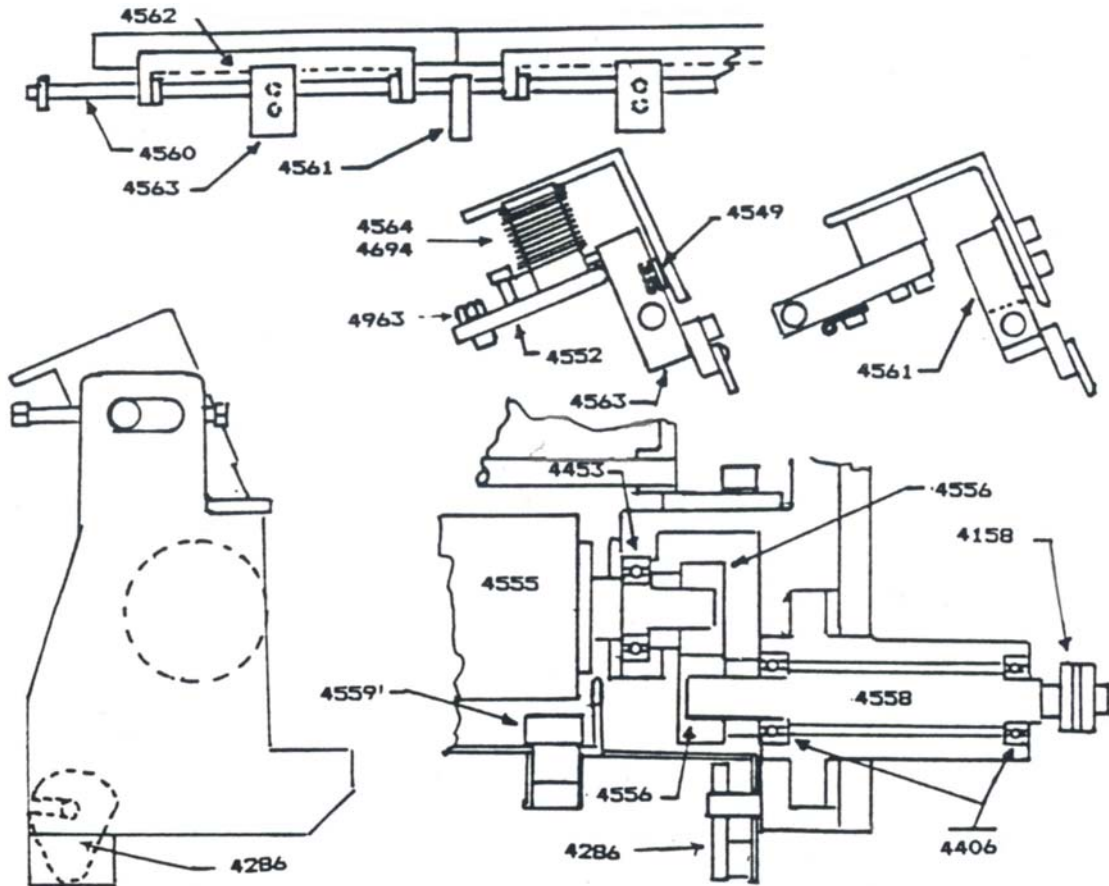
UNIT & HALF-DECK: DAMPENER SYSTEMS



ARCH DAMPENER WATER SYSTEM

STOCK NO.	DESCRIPTION	GOSS PART NO.
4069	Nylon Fitting	736175-3115
4071	Manifold	B-126487-0001
4073	Plastic Valve	920503-0504
4074	Plastic Angle Valve	920526-0504
4075	Nylon Hose Coupling	737840-0315
4101	Insert (For # 4069)	794000-0035
4102	Nut & Sleeve (For # 4069)	
4105	Fill Tube	B-128202-0001
4106	Fill Tube Spring Clip	B-128203-0001
4107	PVC Nipple	843058-6310
4122	Standpipe	B-117259-0003
4366	Water Feed Tubing	908400-0094
4367	Water Feed Tubing (1/2" OD)	908400-0095
4368	Drain Tubing	908400-0102
4518	PVC Reducer Bushing	729467-0010
4519	Nylon Hose Coupling	737840-0316
4588	Coupling	737840-2002
4589	Coupling	737840-2003
4590	Nylon Hose Coupling	843035-4880
4660	Coupling	737840-2001

UNIT & HALF-DECK: DAMPENER SYSTEMS



BRUSH DAMPENER

STOCK NO.	DESCRIPTION	GOSS PART NO.
4158	Coupling	737832-0102
4286	Water Pan Latch	930800-0475
4406	Jack Shaft Bearing	722605-0289
4453	Brush Bearing	722605-0292
4549	Spring	B-114531-0001
4552	Cam	B-124183-0001
4555	Brush	C-074189-0001
4556	Brush Gear	B-124192-0001
4558	Jack Shaft	C-074192-0001
4559	Standpipe	B-124181-0001
4560	Flicker Shaft	B-124186-0001
4561	Flicker Shaft Bracket	B-124188-0001
4562	Deflector Bracket	C-074194-0001
4563	Deflector Block	B-124187-0001
4564	Spring (10 side deck)	B-124306-0001
4694	Spring (13 side deck)	B-124306-0002

www.a-americanpressparts.com

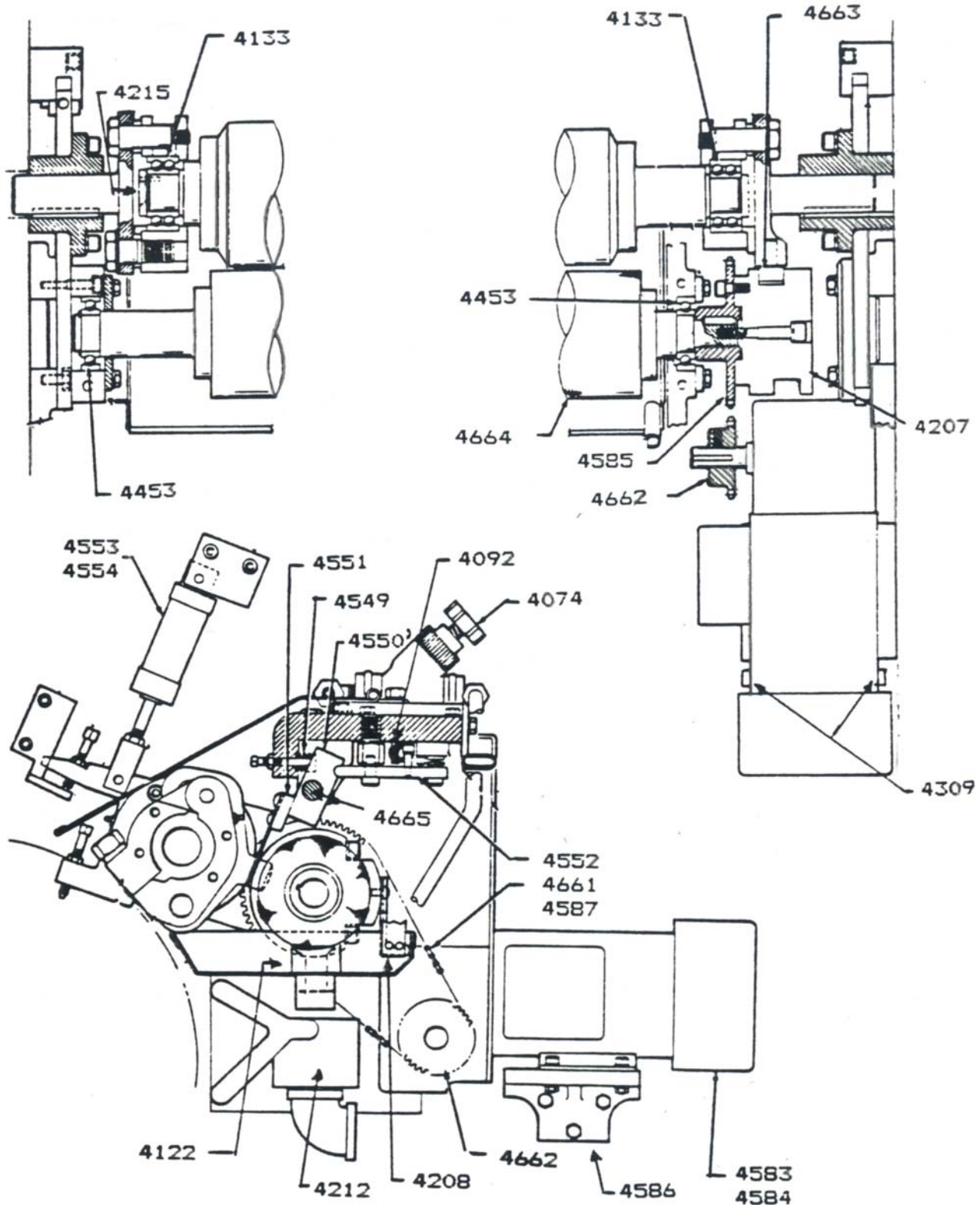
Check our website for updates!



1-888-434-0888
TOLL FREE

UNIT & HALF-DECK: NOTES

UNIT & HALF-DECK: DAMPENER SYSTEMS



ANTI-SETOFF BRUSH DAMPENER



1-888-434-0888
TOLL FREE

UNIT & HALF-DECK: DAMPENER SYSTEMS

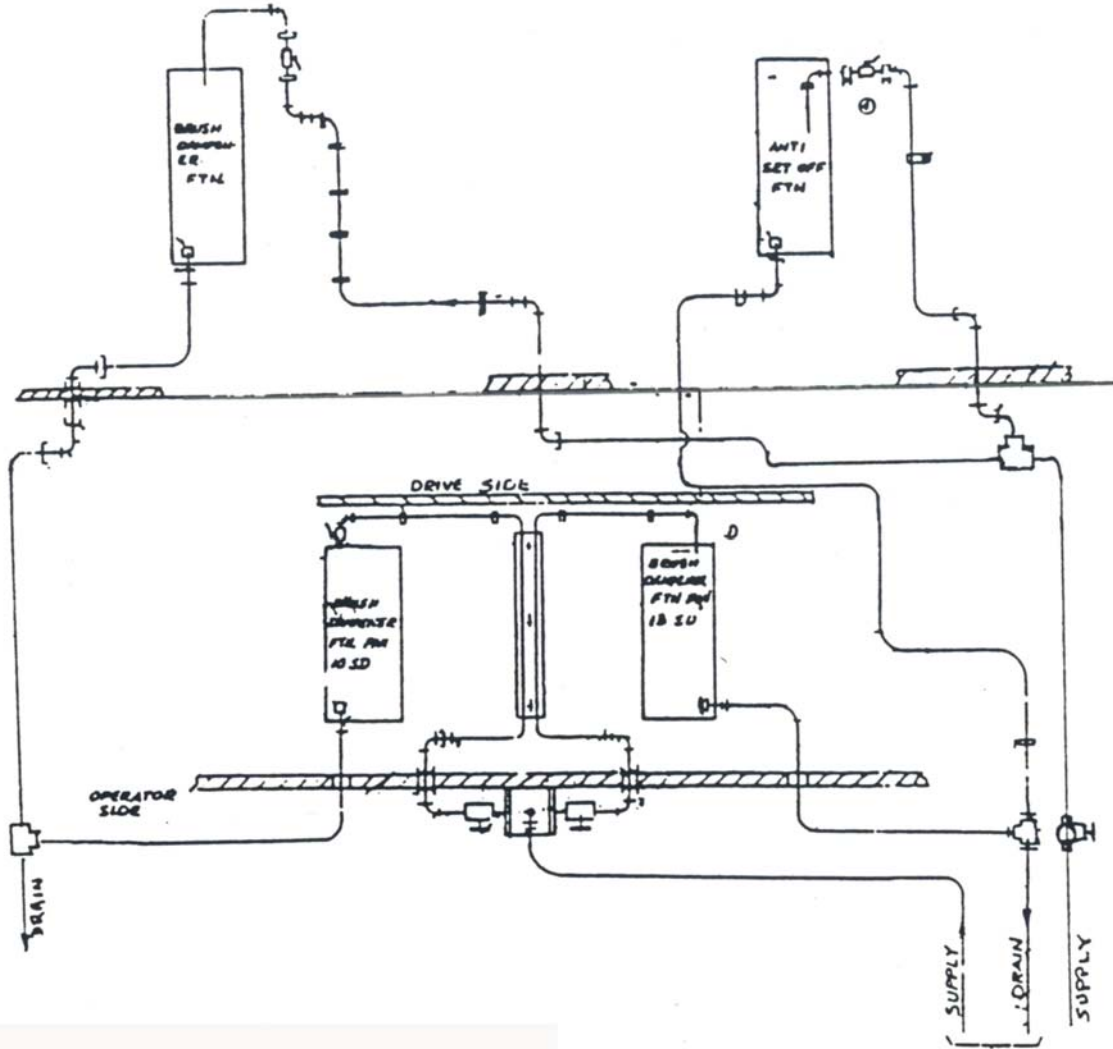
ANTI-SETOFF BRUSH DAMPENER

STOCK NO.	DESCRIPTION	GOSS PART NO.
4074	Angle Feed Valve	920526-0503
4092	Spring	897017-7516
4122	Standpipe	B-117259-0003
4133	Roller Bearing	722605-2006
4207	Brush Cam	C-076191-0001
4208	Pan Hanger	C-088967-0002
4212	Over-Flow Drain	B-126482-0001
4215	Washer & Screw	B-126442-0001
4309	Brushes for Motors	
4452	Brush	C-074189-0001
4453	Brush Bearing	722605-0292
4549	Spring	B-115431-0001
4550	Deflector Block	B-126444-0001
4551	Deflector Bracket	C-074194-0001
4552	Cam	B-124183-0001
4553	Air Cylinder - Stationary Common	B-126439-0001
4554	Air Cylinder - Hi-Lo Common	B-011658-0011
4583	Motor (10 side)	D-023716-0006
4584	Motor (13 side)	D-023716-0001
4585	Brush Sprocket	B-012433-0001
4586	Motor Mounting Bracket	C-076194-0001
4587	Drive Chain - 13-11/16" Press	732404-5046
4661	Drive Chain	732404-5048
4662	Motor Sprocket	B-097115-2151
4663	Cam Follower	766509-1011
4665	Flipper Shaft	B-124186-0002
4666	Mounting Block	B-126443-0001

www.a-americanpressparts.com

Check our website for updates!

UNIT & HALF-DECK: DAMPENER SYSTEMS



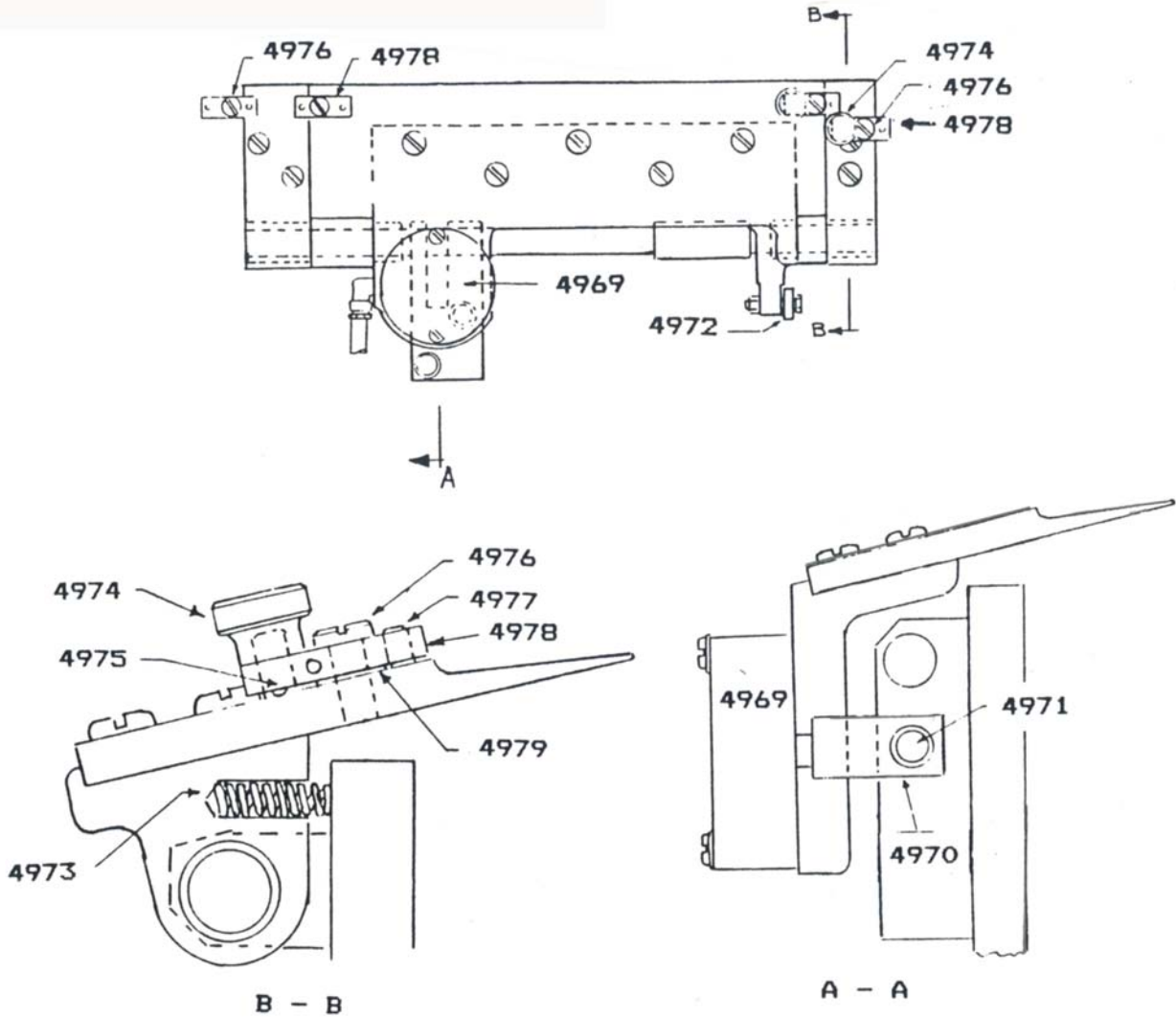
INK TRAIN DAMPENER WATER SYSTEM

STOCK NO.	DESCRIPTION	GOSS PART NO.
4066	Manifold	B-149207-0001
4068	Valve	920505-3005
4107	Nipple - PVC	843058-6310
4276	Elbow - PVC	753061-4371
4277	Nipple - PVC	854058-6314
4351	Valve - Ball Type	920505-1000
4836	Elbow - Nylon	B-149171-0001
4837	O-ring	C-040161-0214
4838	Fast Disconnect Socket	895405-0001
4839	Standpipe	B-149030-0001
4840	Reinforced Tubing	908400-0113

www.a-americanpressparts.com

Check our website for updates!

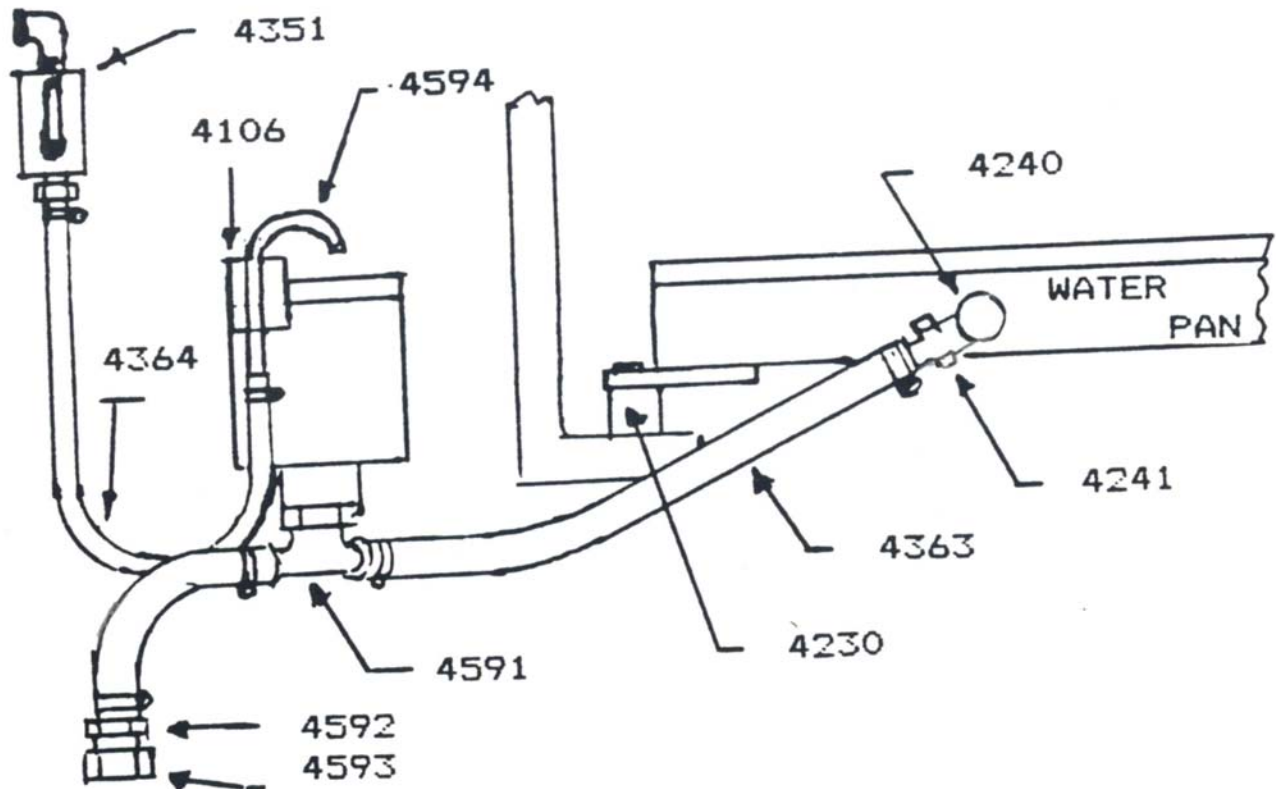
UNIT & HALF-DECK: DAMPENER SYSTEMS



INK TRAIN DAMPENER FLICKER BLADE ASSEMBLY

STOCK NO.	DESCRIPTION	GOSS PART NO.
4969	Pancake Air Cylinder	739902-0052
4970	Clevis	B-149051-0001
4971	Shoulder Screw	891232-0137
4972	Bearing	722605-0075
4973	Spring	897009-3692
4974	Knurled Knob	815000-0170
4975	Spring Plunger	865700-0271
4976	Slotted Shoulder Screw	891232-3202
4977	Set Screw	891212-0274
4978	Tab Block	B-149052-0001
4979	Bearing Spacer	896203-0038

UNIT & HALF-DECK: DAMPENER SYSTEMS



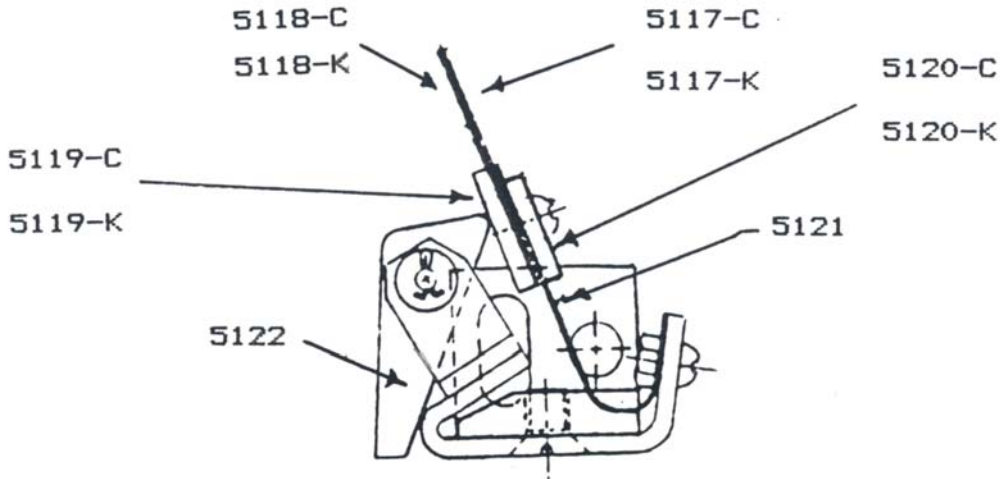
SPIRAL BRUSH WATER SYSTEM

STOCK NO.	DESCRIPTION	GOSS PART NO.
4106	Spring Clip	B-128203-0001
4230	Pan Mount	836068-0006
4240	Elbow	075300-0062
4241	Hose Coupling	737840-0206
4351	Feed Valve	920505-1000
4363	Tubing	908400-0091
4364	Feed Tubing	908400-0092
4591	Hose Tee	902063-0203
4592	Hose Coupling	737840-0320
4593	Nylon Pipe Cap	731061-0115
4594	Fill Tube	B-153525-0001

www.a-americanpressparts.com

Check our website for updates!

UNIT & HALF-DECK: DAMPENER SYSTEMS

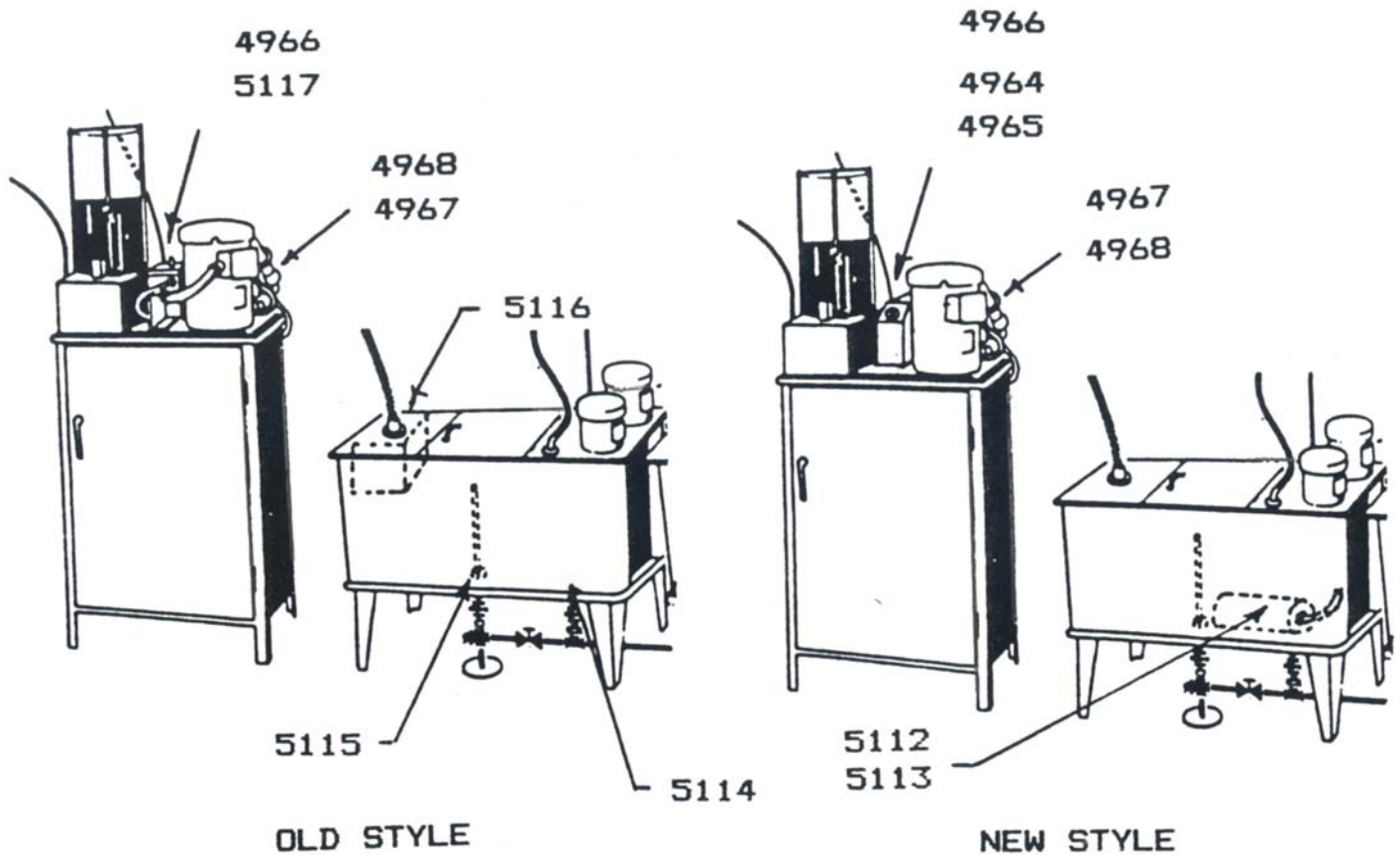


WATER STOP ASSEMBLY

STOCK NO.	DESCRIPTION	GOSS PART NO.
5121	Spring	B-152853-0002
5122	Water Stop Cam	B-152852-0001
5117-C	Teflon Wiper Blade	C-108032-0003
5117-K	Teflon Wiper Blade	C-108032-0011
5118-C	Backup Spring Blade	C-108033-0003
5118-K	Backup Spring Blade	C-108033-0011
5119-C	Support Blade	C-108031-0003
5119-K	Support Blade	C-108031-0011
5120-C	Support Blade	C-108657-0003
5120-K	Support Blade	C-108657-0011

**** ALL SIZE BLADES AVAILABLE ****

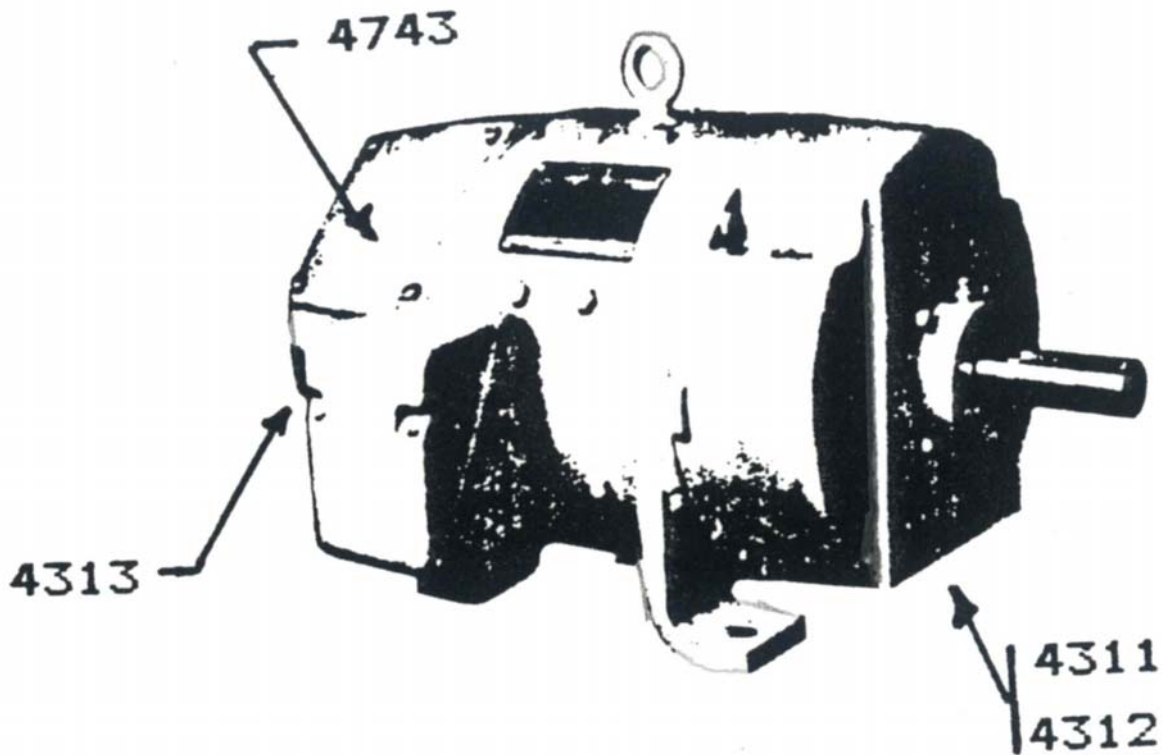
UNIT & HALF-DECK: DAMPENER SYSTEMS



BALDWIN AUTO-MIX 221 & BALDWIN CIRCULATOR 640

STOCK NO.	DESCRIPTION	GOSS PART NO.
4964	Switch	
4965	Contact	
4966	Limit Switch	
4967	Y Filter Screen	
4968	Solenoid	
5112	Super Full-flo Filter Screen	
5113	Round Filter (for 5112)	
5114	Tank Fitting Assembly	
5115	Tank Fitting Assy- Manual Drain	
5116	Square Basket Filter	
5117	Switch	

UNIT & HALF-DECK: DRIVE SYSTEM



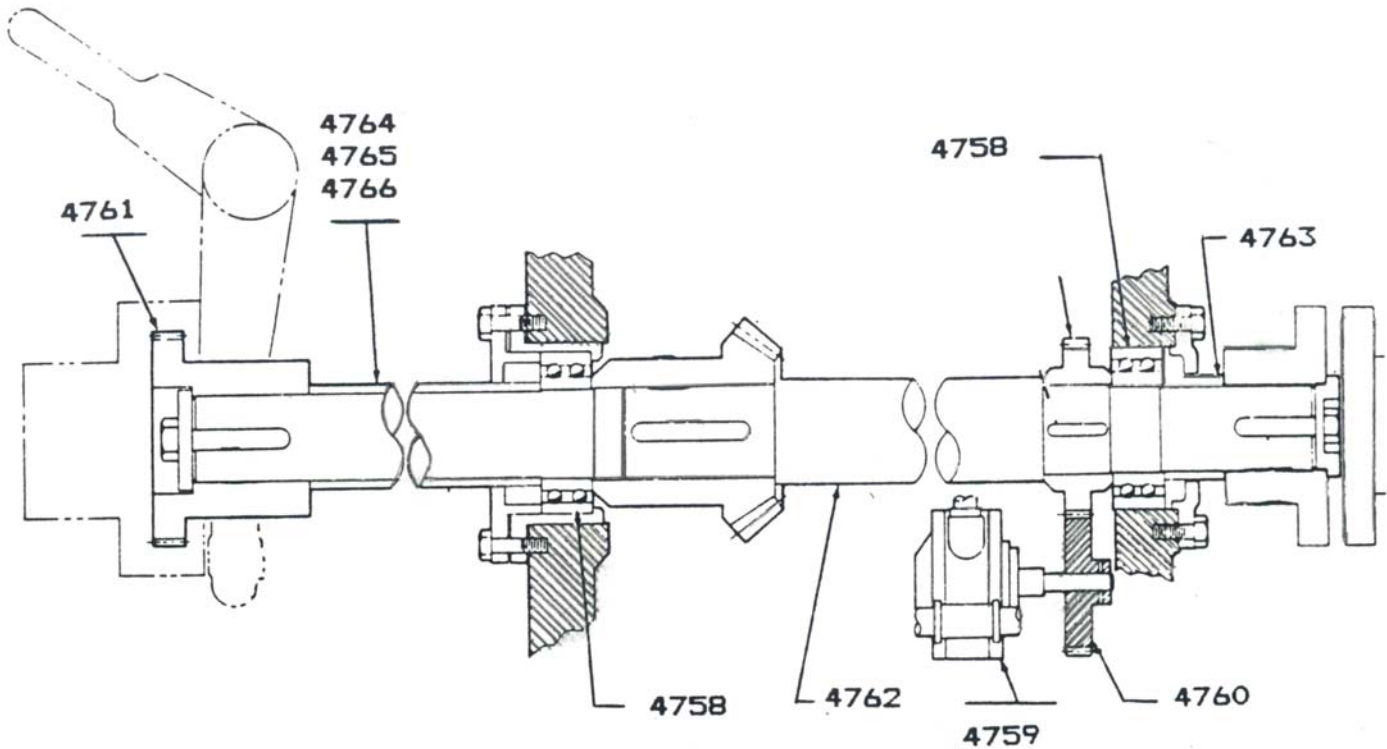
MAIN DRIVE MOTORS • GENERAL ELECTRIC

STOCK NO.	DESCRIPTION	GOSS PART NO.
4311	Exhaust Screen	
4312	Air Inlet	
4313	Air Exhaust	
4743	Plastic Cover for Motor	

www.a-americanpressparts.com

Check our website for updates!

UNIT & HALF-DECK: DRIVE SYSTEM



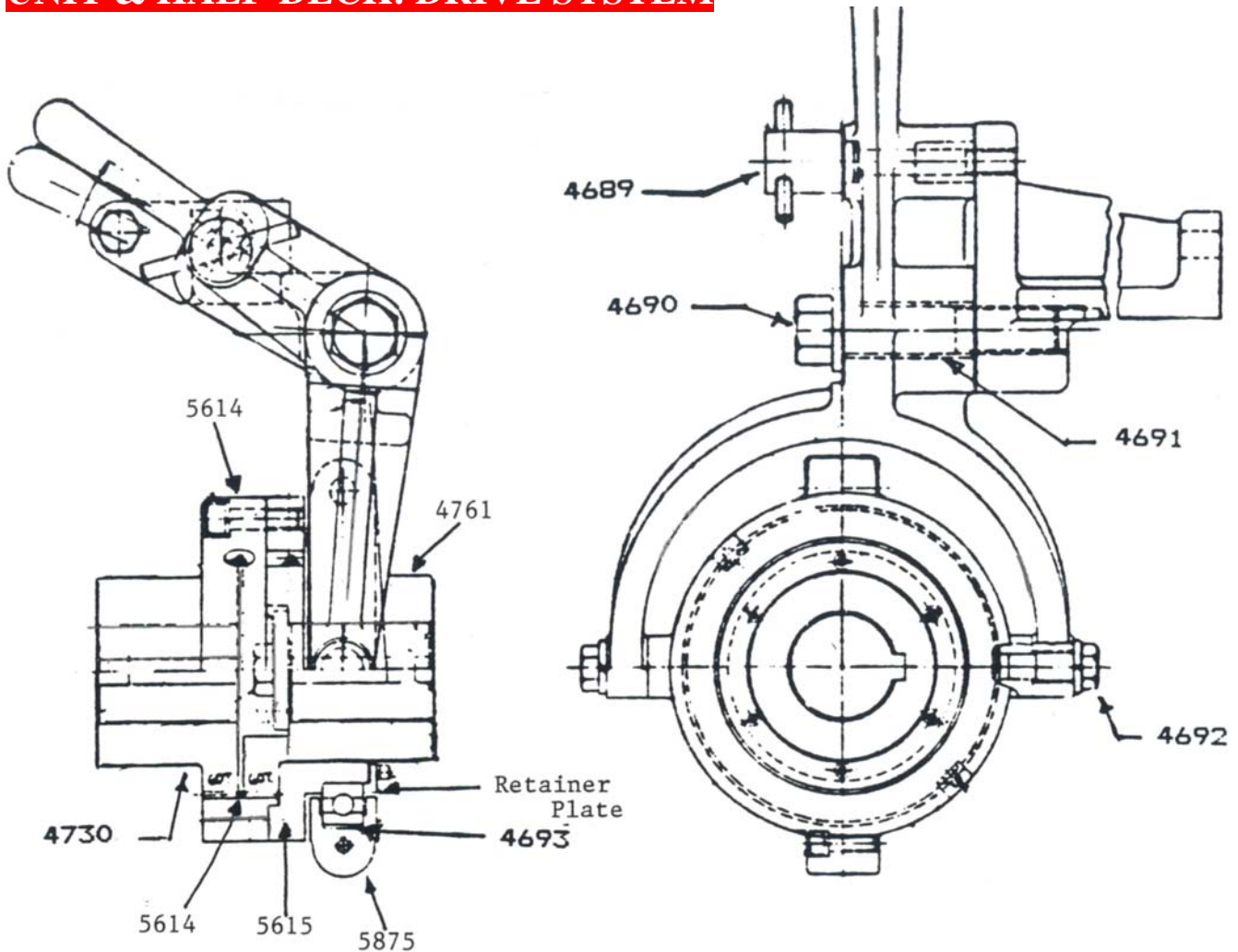
MAIN DRIVE BOX • METRO

STOCK NO.	DESCRIPTION	GOSS PART NO.
4758	Bearing	722605-2013
4759	Oil Pump	
4760	Oil Pump Gear	C-089476-0000
4761	Gear Clutch	B-100883-0001
4762	Shaft	
4763	Spacer	C-040064-5416
4764	Spacer	C-040064-5424
4765	Spacer	C-040064-5430
4766	Spacer	B-116959-0002

www.a-americanpressparts.com

Check our website for updates!

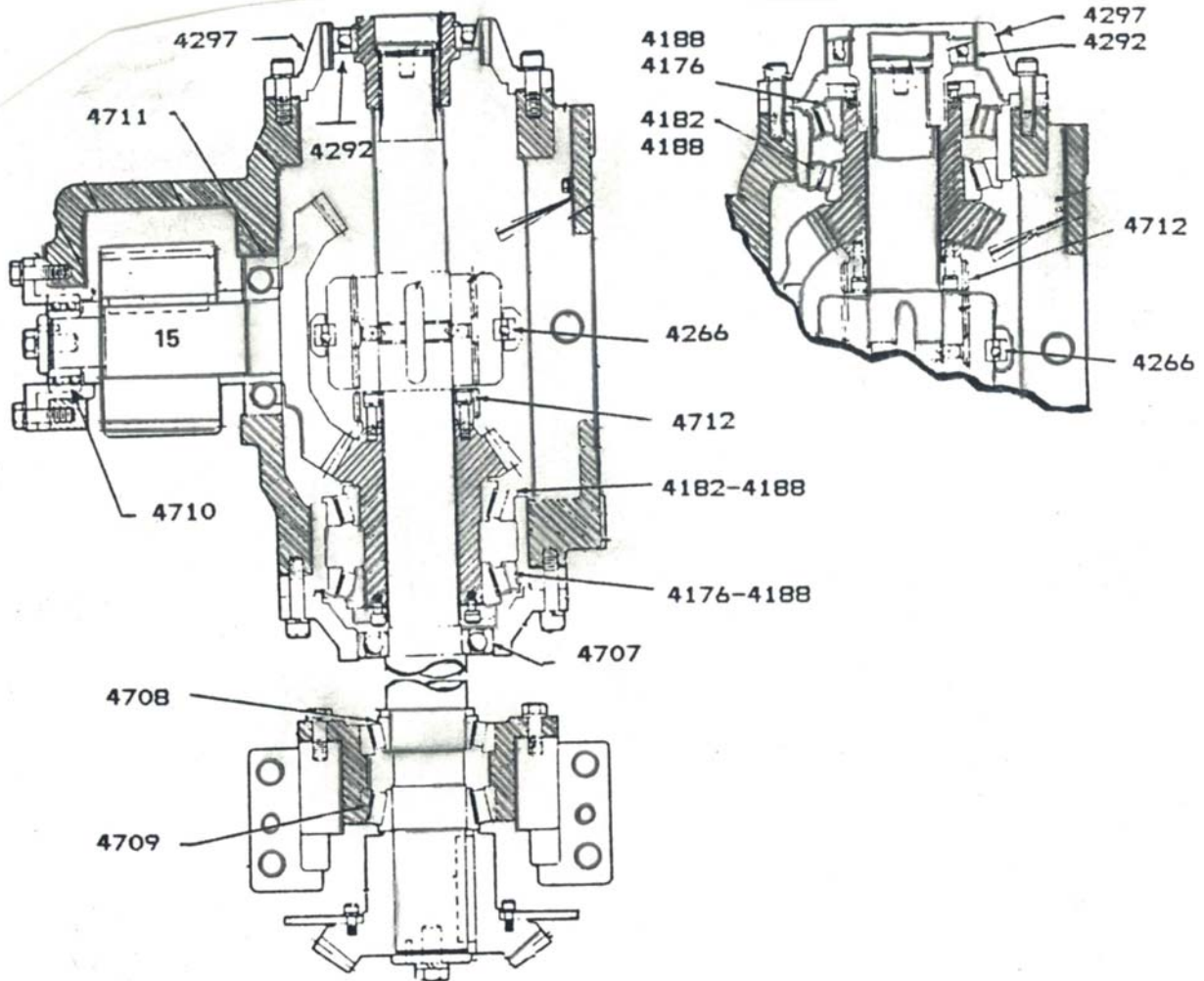
UNIT & HALF-DECK: DRIVE SYSTEM



MAIN DRIVE CLUTCH • METRO

STOCK NO.	DESCRIPTION	GOSS PART NO.
4689	Tee Handle	B-099811-0001
4690	Bolt	C-040080-9154
4691	Brass Bushing	B-099815-0001
4692	Lever Pin	AR-007643-0001
4693	Bearing	722605-0403
4730	Gear	B-100884-0001
4761	Drive Box Clutch Gear	B-100883-0001
5614	Clutch Collar	C-068428-0001
5615	Sliding Hub	C-056095-0001
5875	Brg Housing Set	C-056096-0001
	Retainer Plate	

UNIT & HALF-DECK: DRIVE SYSTEM



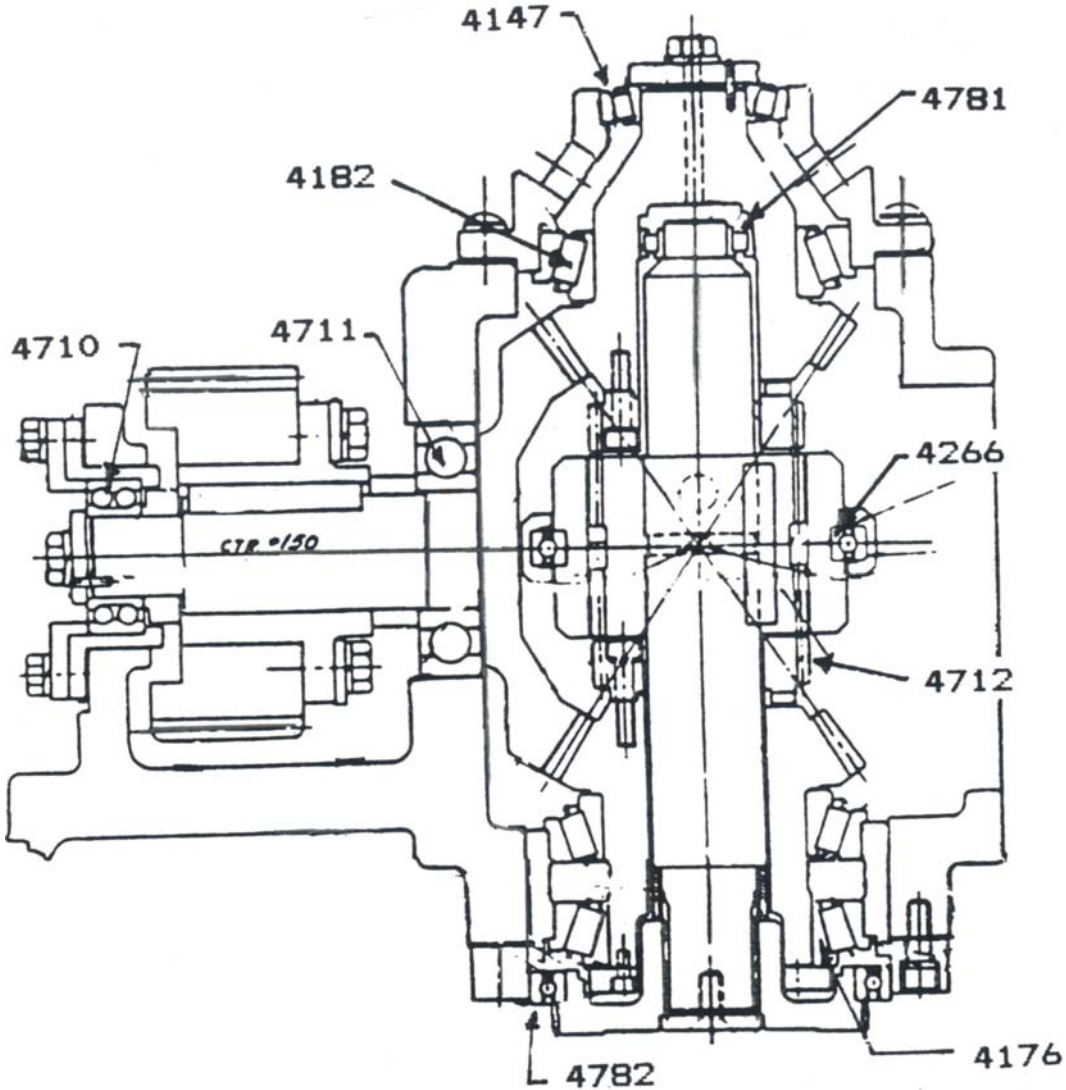
VERTICAL DRIVE • REVERSE & NON-REVERSE

STOCK NO.	DESCRIPTION	GOSS PART NO.
4176	Bearing	722673-1572
4182	Bearing	722673-1574
4188	Bearing Cup for # 4182, 4176	
4192	Bearing	722605-0229
4266	Bearing	722605-0040
4297	Plate Upper Bracket	B-126234-0001
4707	Bearing	C-040100-6213
4708	Bearing	722673-1475
4709	Bearing	722673-2050
4710	Bearing	C-040106-5209
4711	Bearing	C-040101-6313
4712	Gear Clutch	C-066199-0001

www.a-americanpressparts.com

Check our website for updates!

UNIT & HALF-DECK: DRIVE SYSTEM



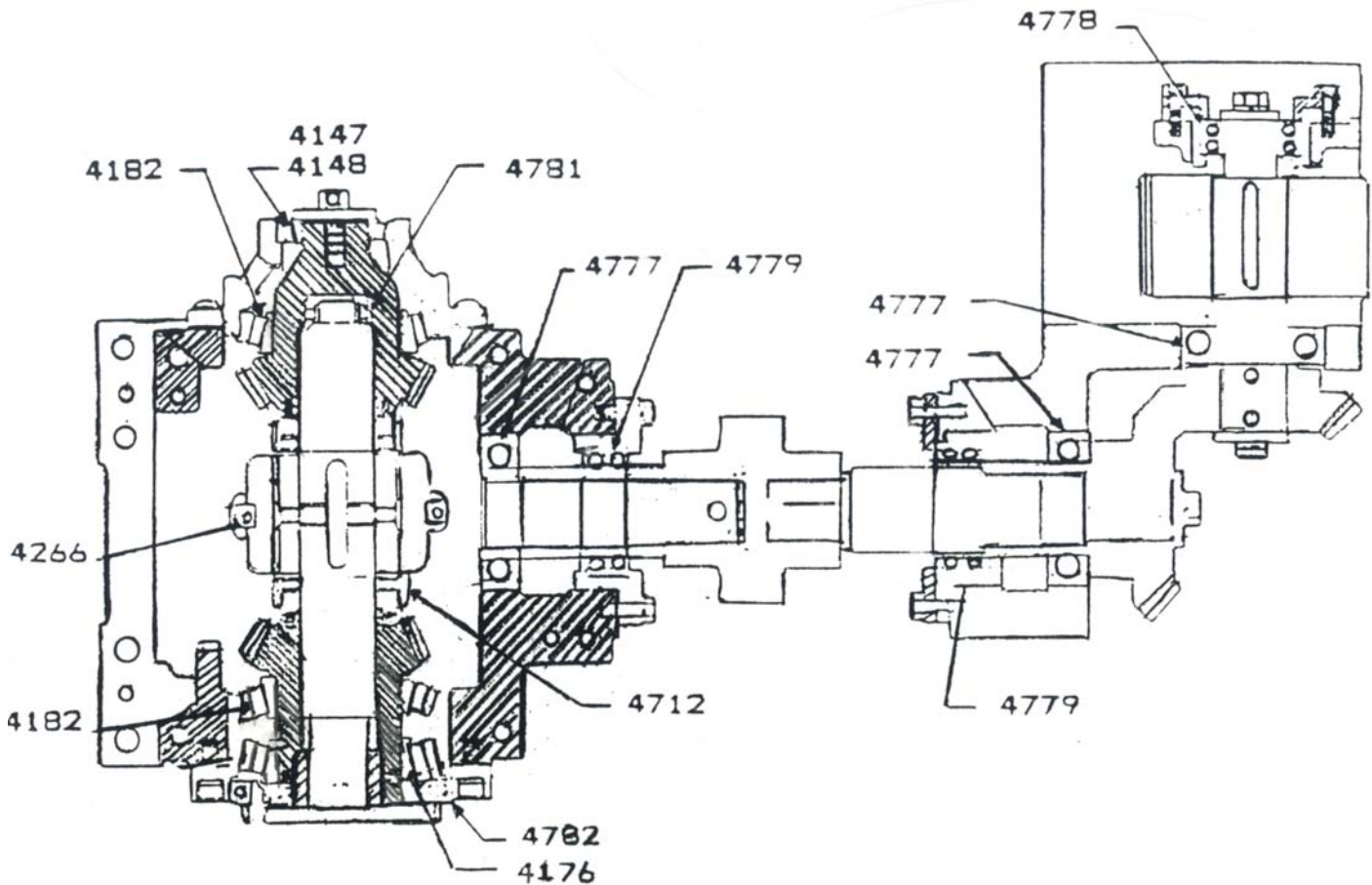
VERTICAL & HORIZONTAL DRIVE • 13 SIDE DECK

STOCK NO.	DESCRIPTION	GOSS PART NO.
4147	Bearing & Cup	722673-1048
4176	Bearing	722673-1572
4182	Bearing	722673-1574
4266	Bearing	722605-0040
4710	Bearing	722605-2009
4711	Bearing	722605-2014
4712	Gear Clutch	C-066199-0001
4781	Bearing	722673-0180
4782	Bearing	722605-0041

www.a-americanpressparts.com

Check our website for updates!

UNIT & HALF-DECK: DRIVE SYSTEM



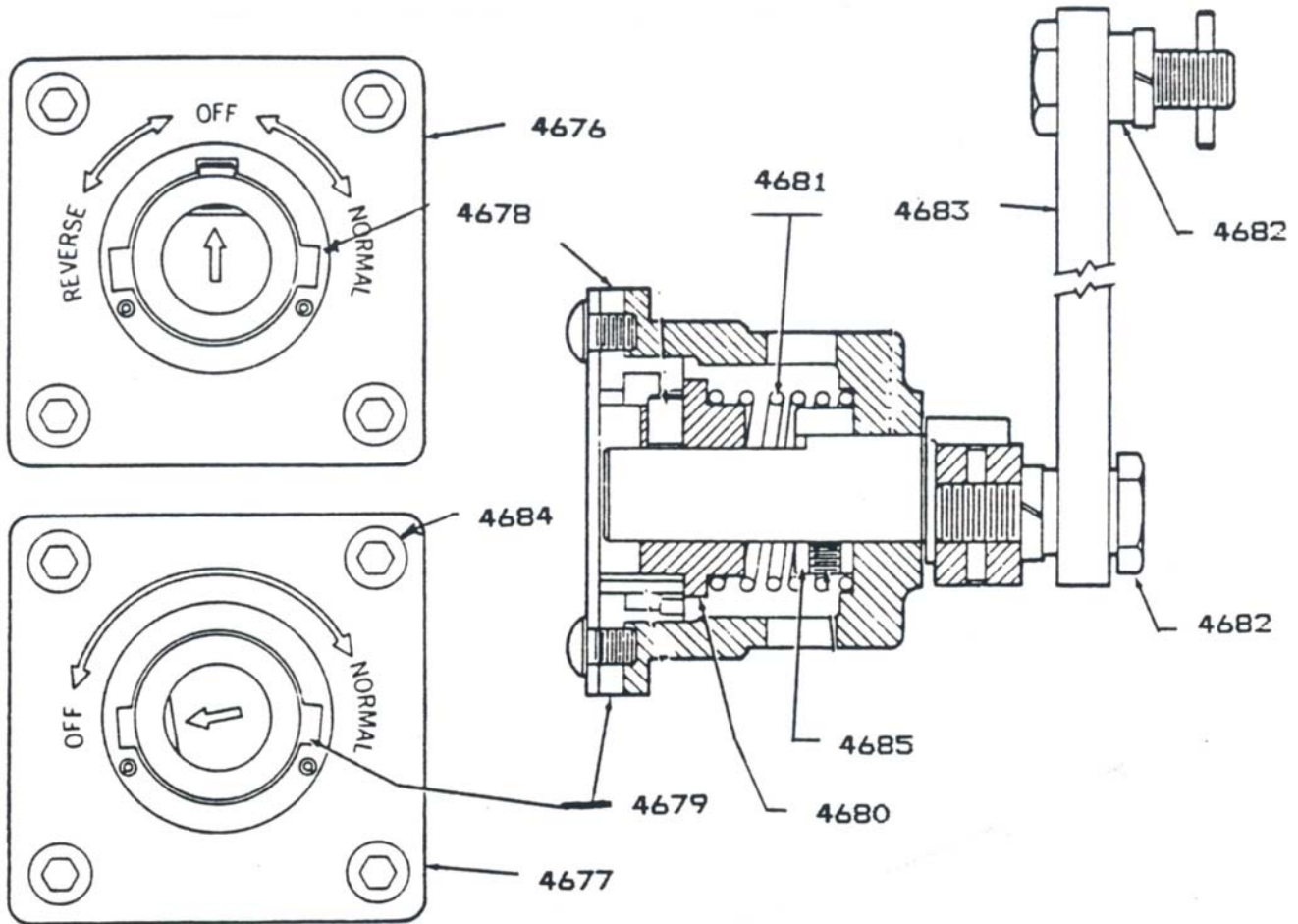
VERTICAL & HORIZONTAL DRIVE • 10

STOCK NO.	DESCRIPTION	GOSS PART NO.
4147	Bearing	722673-1048
4148	Bearing Cup	
4176	Bearing	722673-1572
4182	Bearing	722673-1574
4266	Bearing	722605-0040
4712	Gear Clutch	C-066199-0001
4777	Bearing	C-040101-6312
4778	Bearing	C-040106-5209
4779	Bearing	C-040106-5212
4781	Bearing	722673-0180
4782	Bearing	722605-0041

www.a-americanpressparts.com

Check our website for updates!

UNIT & HALF-DECK: DRIVE SYSTEM



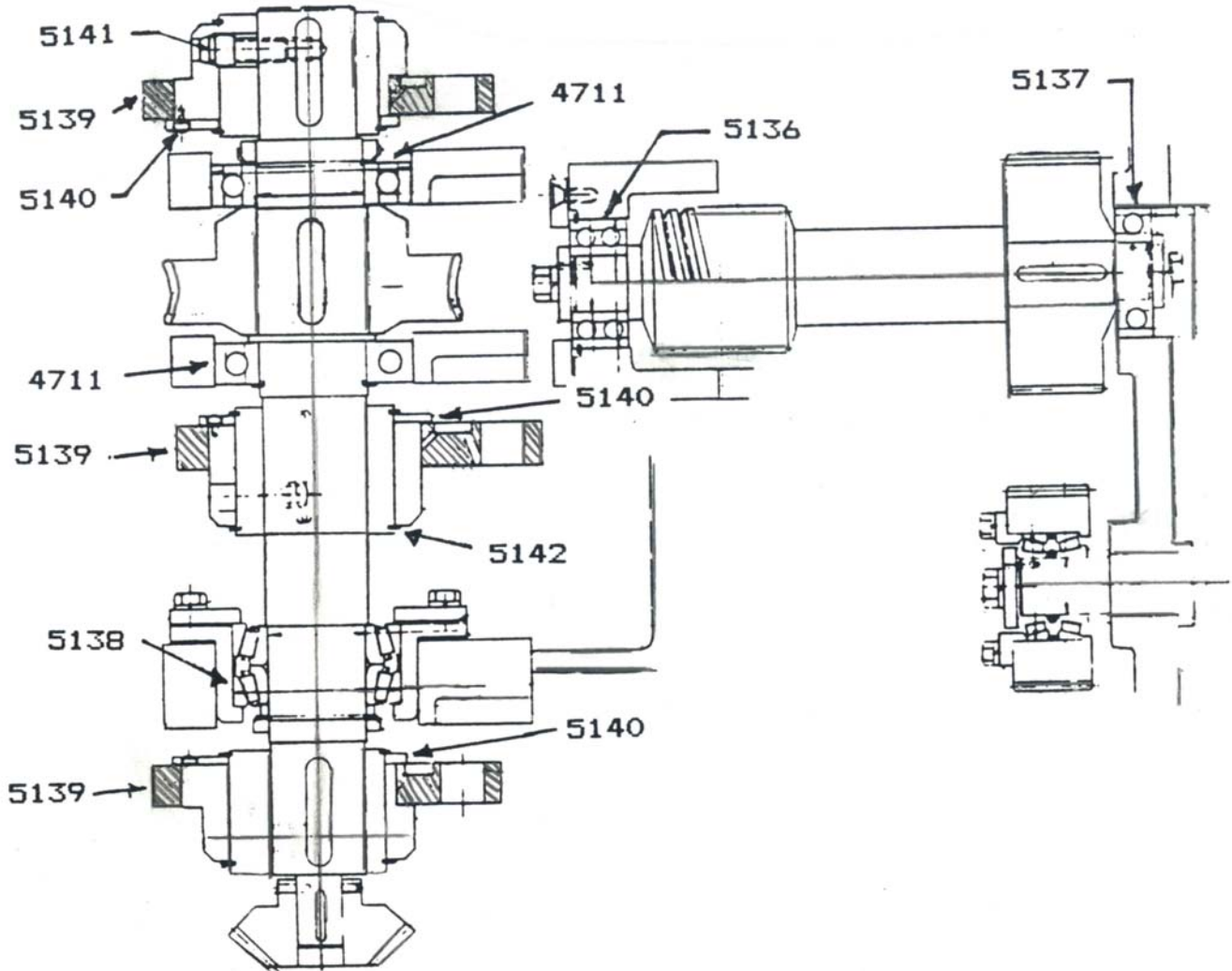
VERTICAL DRIVE SHAFT SHIFTER • METRO & METRO-LINER

STOCK NO.	DESCRIPTION	GOSS PART NO.
4676	Indicator Plate * Rev-Off-Normal	B-114148-0001
4677	Indicator Plate * Off-Normal	B-116527-0001
4678	Reversing Plate	26-5669-A, C66242
4678	Reserving Plate	26-5669-A, C66247
4680	Spring Sleeve	B-114147-0001
4681	Spring	B-116196-0001
4682	Shoulder Screw	B-114144-0001
4683	Clutch Link	B-114142-0002
4684	Screw	891209-1316
4685	Collar	B-040081-1125

www.a-americanpressparts.com

Check our website for updates!

UNIT & HALF-DECK: DRIVE SYSTEM



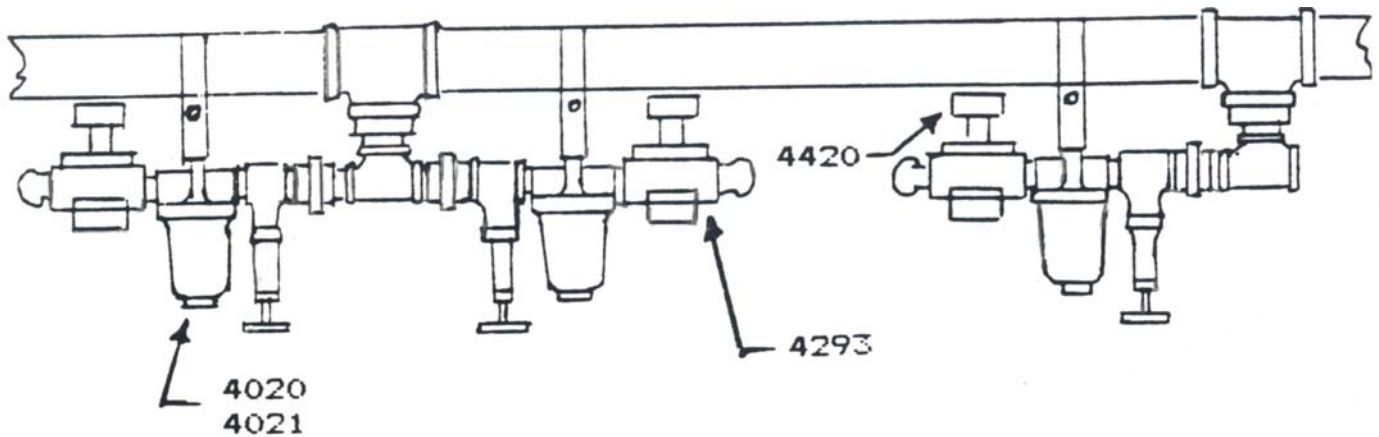
INK VIBRATOR • METRO

STOCK NO.	DESCRIPTION	GOSS PART NO.
4711	Bearing	C-040100-6213
5136	Bearing	722605-2900
4137	Bearing	C-040101-6307
5138	Bearing	722673-1388
5139	Strap	C-080020-25-210
5140	Eccentric Plate	B-133204-0001
5141	Captive Screw	B-117675-0001
5142	Retaining Ring	885400-0137

www.a-americanpressparts.com

Check our website for updates!

UNIT & HALF-DECK: INK SYSTEM



MAIN INK LINE FILTERS & PNEUMATIC SYSTEM

STOCK NO.	DESCRIPTION	GOSS PART NO.
4020	Ink Filter	762948-0004
4021	Ink Filter Element	753525-0010
4293	Air Valve	920500-0065
4420	Air Valve	920502-0065

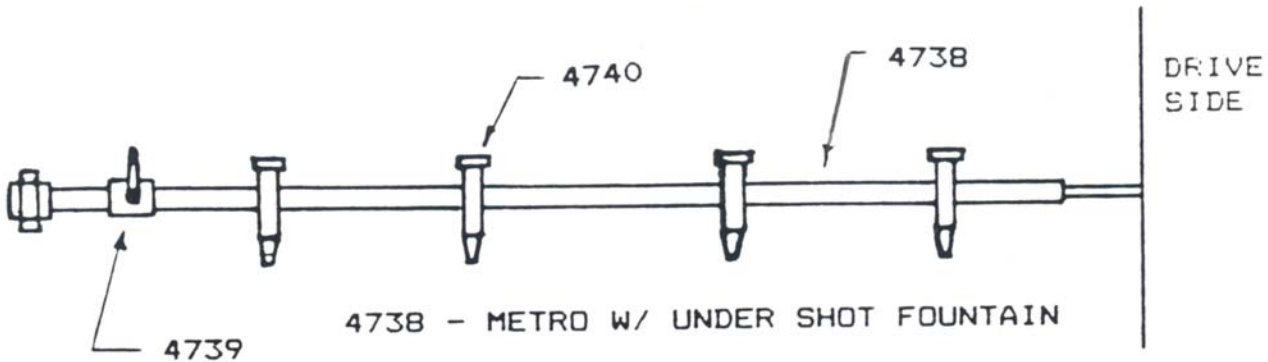
www.a-americanpressparts.com

Check our website for updates!

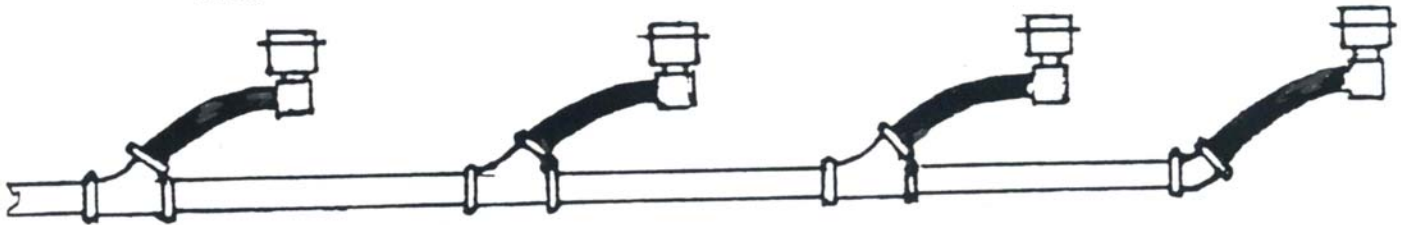
UNIT & HALF-DECK: INK SYSTEM



4042 - METRO



4738 - METRO W/ UNDER SHOT FOUNTAIN



4741 - METRO-LINER



4742 - METRO & METRO-LINER, HALF-DECKS

MAIN INK LINE PIPING • METRO & METRO-LINER

STOCK NO.	DESCRIPTION	GOSS PART NO.
4042	Main Ink Line * 10 - 13 Side	
4738	Feed Piping Assembly	
4739	Main Shut-off Valve	920500-0220
4740	Page Compartment Valve	845500-0250
4741	Main Ink Line * 10 - 13 Side	
4742	Main Ink Line for Decks	

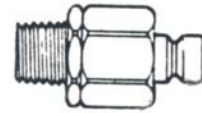
www.a-americanpressparts.com

Check our website for updates!

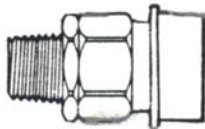
UNIT & HALF-DECK: INK SYSTEM



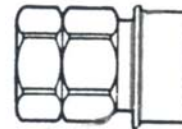
4010



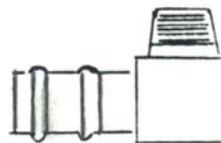
4011



4012



4013



4263

MAIN INK LINE & CANNISTER INK LINE FITTINGS

STOCK NO.	DESCRIPTION	GOSS PART NO.
4010	Plain Nipple for Pac	B-132261-0001
4011	Valved Nipple - Cannister & HD	C-097003-0001
4012	Valved Coupler - Male Pipe Thrd.	865515-0242
4013	Valved Coupler - Female Pipe Thrd.	865515-0242
4263	90° Elbow - Main Ink Line to Pac - ML	

UNIT & HALF-DECK: INK SYSTEM



PAC TO RAIL INK HOSE • FOR WIRE & SLIDE TYPE FITTINGS

STOCK NO.	DESCRIPTION	GOSS PART NO.
4030	Ink Hose Assembly - 9" lg.	
4031	Ink Hose Assembly - 9-1/2" lg.	
4032	Ink Hose Assembly - 10" lg.	
4033	Ink Hose Assembly - 12" lg.	
4034	Ink Hose Assembly - 14" lg.	
4035	Ink Hose Assembly - 16" lg.	
4036	Ink Hose Assembly - 22" lg.	
4037	Ink Hose Assembly - 32" lg.	
4038	Ink Hose Assembly - 36" lg.	



PAC TO RAIL INK HOSE • FOR SCREW TYPE FITTINGS

STOCK NO.	DESCRIPTION	GOSS PART NO.
4026	Ink Hose Assembly - 13" lg.	
4027	Ink Hose Assembly - 14-1/2" lg.	
4028	Ink Hose Assembly - 29" lg.	
4029	Ink Hose Assembly - 37" lg.	

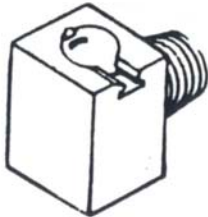


PAC TO RAIL INK HOSE WITH SCREW & SWIVEL TYPE FITTINGS

STOCK NO.	DESCRIPTION	GOSS PART NO.
4426-1	Ink Hose Assembly - 8-1/2" lg.	
4426-2	Ink Hose Assembly - 13-1/4" lg.	
4426-3	Ink Hose Assembly - 16" lg.	
4426-4	Ink Hose Assembly - 20" lg.	
4426-5	Ink Hose Assembly - 29-1/4" lg.	

**** ALL HOSES CAN BE MADE TO CUSTOMER'S SPECIFICATIONS ****

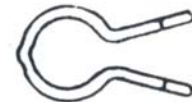
UNIT & HALF-DECK: INK SYSTEM



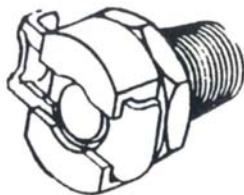
4001



4002



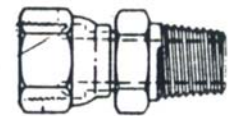
4003



4004



4005



4019

4006



4156



4243



4244



4582

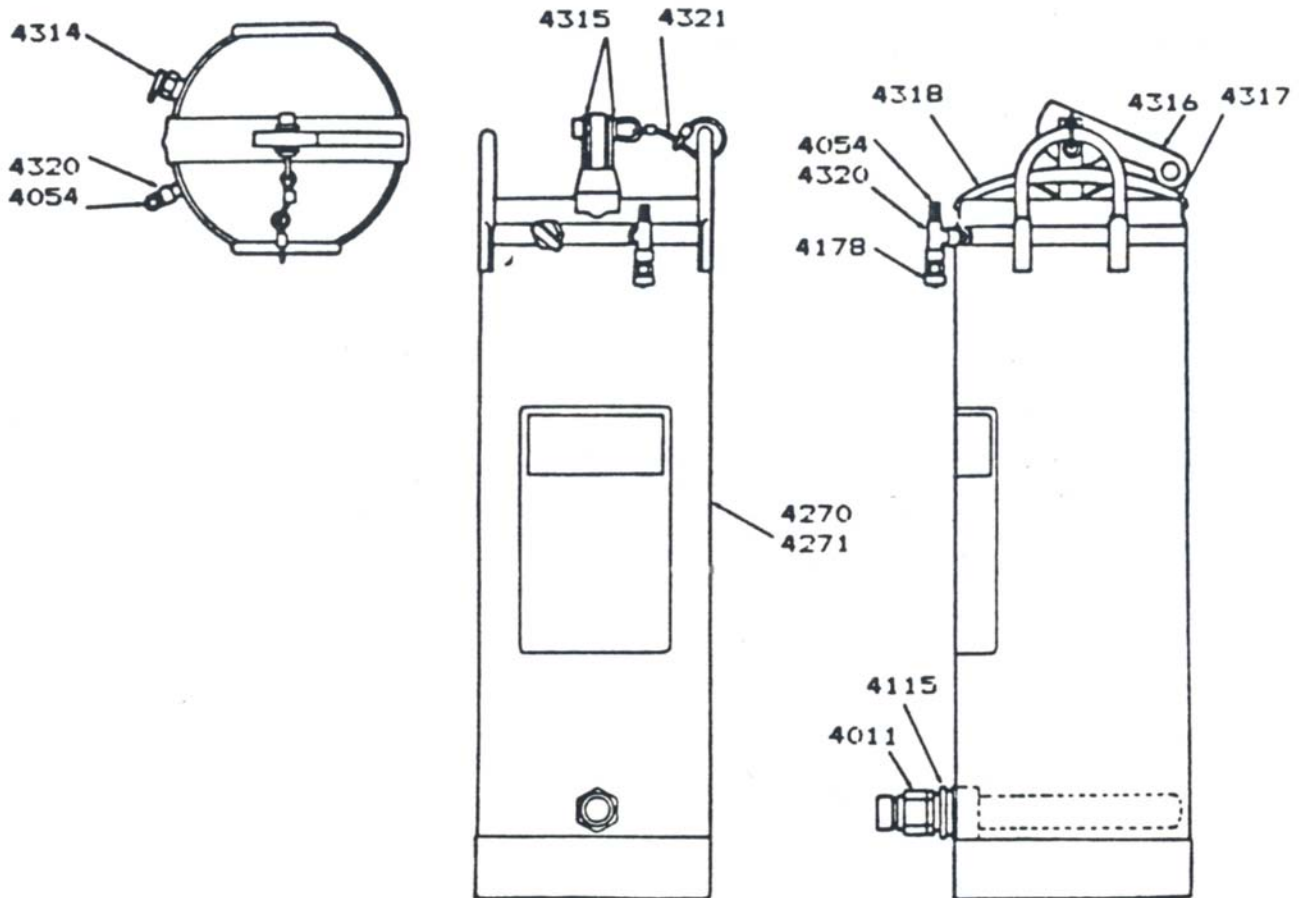
PAC & INK RAIL HOSE FITTINGS

STOCK NO.	DESCRIPTION	GOSS PART NO.
4001	Ink Pac Fitting, Wire Type	711200-0054
4002	Ink Rail Fitting, Wire Type	711200-0053
4003	Wire Clip	884300-0004
4004	Ink Pac Fitting, Slide Type	
4005 *	Ink Pac Fitting, Slide Type	712000-0055
4006 +	Ink Pac Fitting, Slide Type	
4019	Swivel Connector - For Screw Type Hose Assy.	
4156	45° Fitting	
4243	Nipple	
4244	90° Elbow	
4582	Straight Fitting	

* 45° PLAIN

+ 45° WITH INDENTED SLIDE

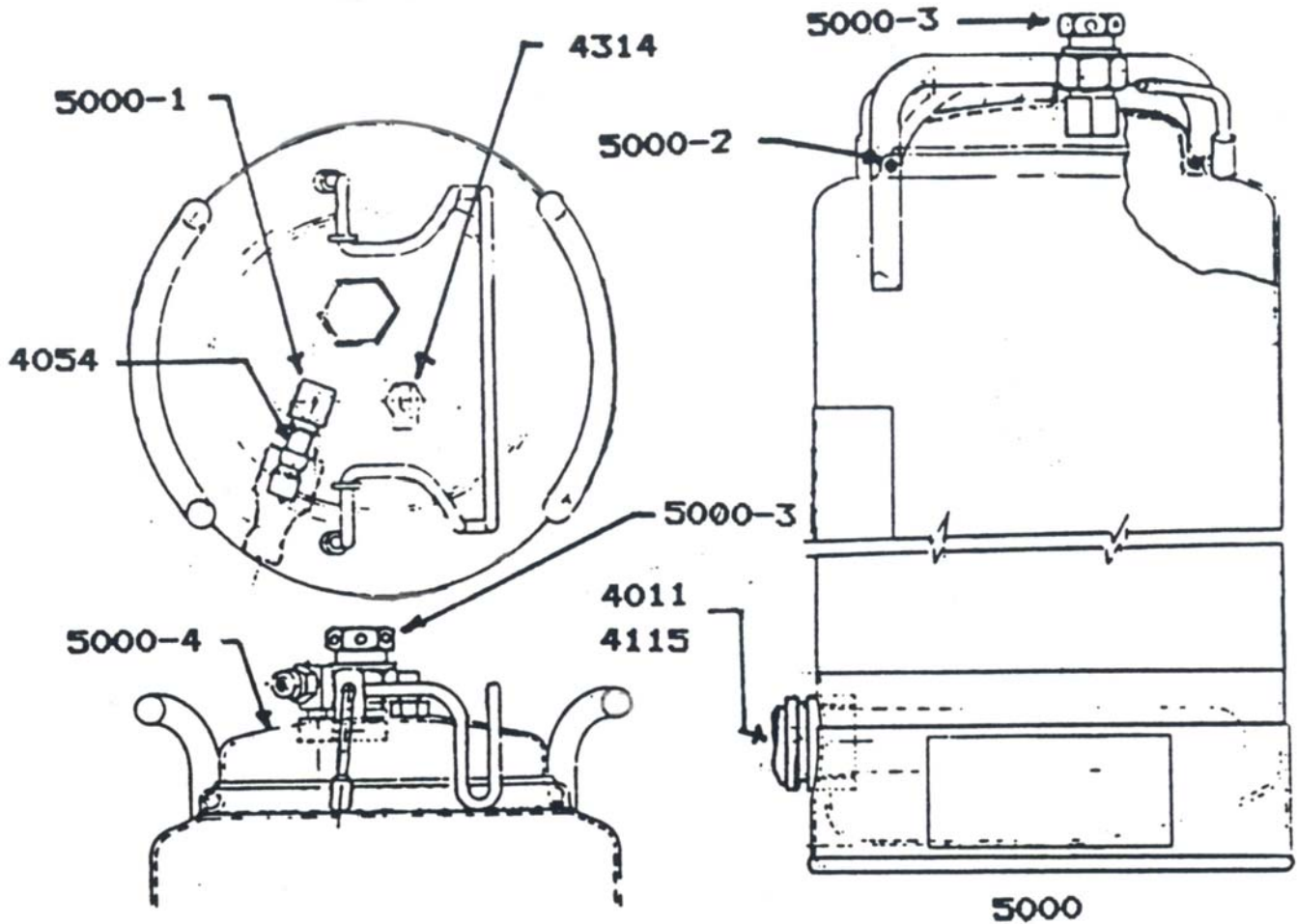
UNIT & HALF-DECK: INK SYSTEM



INK CANNISTER • OLD STYLE

STOCK NO.	DESCRIPTION	GOSS PART NO.
4011	Valved Nipple	865515-0242
4054	Air Feed Nipple	
4115	Ink Filter with Fitting	B-129291-0001
4178	Pop-off Valve with O-ring	E-005337-0008
4271	Ink Cannister - Four Gallon	E-005337-0001
4314	Air Release Valve	
4315	Clip	
4316	Handle	
4317	Gasket	E-005337-0005
4318	Cover Assembly	E-005337-0006
4320	Tee with Restrictor Assembly	E-005337-0010
4321	Wire Rope Assembly	

UNIT & HALF-DECK: INK SYSTEM



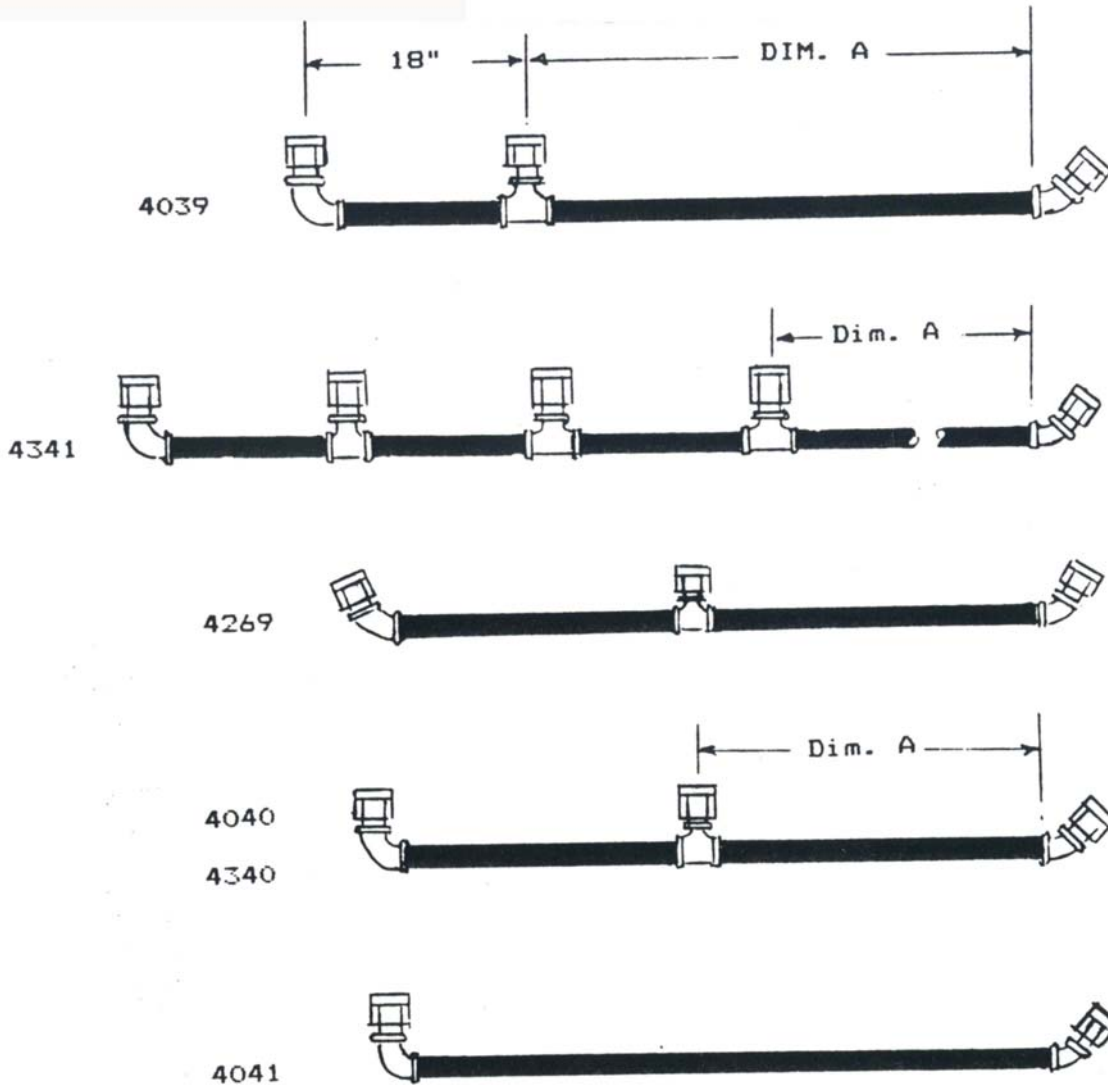
INK CANNISTER ASSEMBLY • NEW STYLE

STOCK NO.	DESCRIPTION	GOSS PART NO.
4011	Valved Nipple	865515-0242
4054	Valved Nipple	
4115	Ink Strainer	B-129291-0001
4314	Air Release Valve	E-005337-0008
5000	Tank & Cover Assembly	ER-012798-0000
5000-1	Elbow	753061-0130
5000-2	O-ring	885454-0432
5000-3	Rupture Assembly Disc	745000-0030
5000-4	Cannister Cover	

www.a-americanpressparts.com

Check our website for updates!

UNIT & HALF-DECK: INK SYSTEM

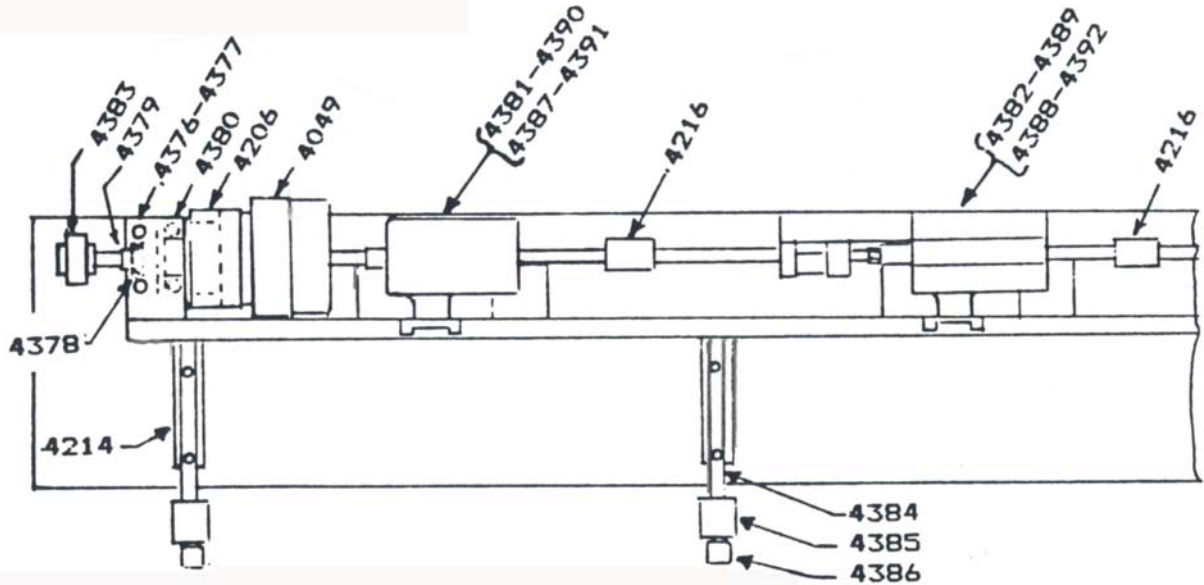


CANNISTER TO PAC INK HOSE ASSEMBLY

STOCK NO.	DESCRIPTION	GOSS PART NO.
4039	Ink Hose Assembly To 2 Pacs	
4040	Ink Hose Assembly To 2 Pacs - 80"	D-029531-0002
4041	Ink Hose Assembly To 1 Pacs	
4269	Ink Hose Assembly To 2 Pacs	
4340	Ink Hose Assembly To 2 Pacs - 53"	D-029534-0003
4341	Ink Hose Assembly To 4 Pacs	

**** ALL HOSES CAN BE MADE TO CUSTOMER'S SPECIFICATIONS ****

UNIT & HALF-DECK: INK SYSTEM



INK PAC DRIVE • MARK V, METRO & METRO-LINER

STOCK NO.	DESCRIPTION	GOSS PART NO.
4049	Clutch	C-734300-0001
4206	Spindle	C-088761-0001
4214	Guide Assembly	B-136114-0001
4216	Coupling	B-131002-0001
4376	Mounting Block - 10 Side	C-088766-0001
4377	Mounting Block - 13 Side	C-088766-0002
4378	Bearing	722605-1066
4379	Bearing Spacer	729457-0050
4380	Bearing	722605-1073
4381 *	Drive Box - Drive 10 Side	E-003022-0001
4382 *	Drive Box - 10 Side	D-027850-0001
4383	Coupling	737832-0001
4384	Guide	B-136302-0001
4385	Stop	
4386	Nut	
4387 *	Drive Box - Drive 13 Side	E-003022-0002
4388 *	Drive Box - 13 Side	D-027850-0002
4389 +	Drive Box - 10 Side	D-030088-0002
4390 +	Drive Box - Drive 10 Side	D-029899-0009
4391 +	Drive Box - Drive 13 Side	D-030088-0001
4392 +	Drive Box - 13 Side	D-030088-0001

* PRE METRO PRESS NO. 3117

* PRE MARK V PRESS NO. 4007

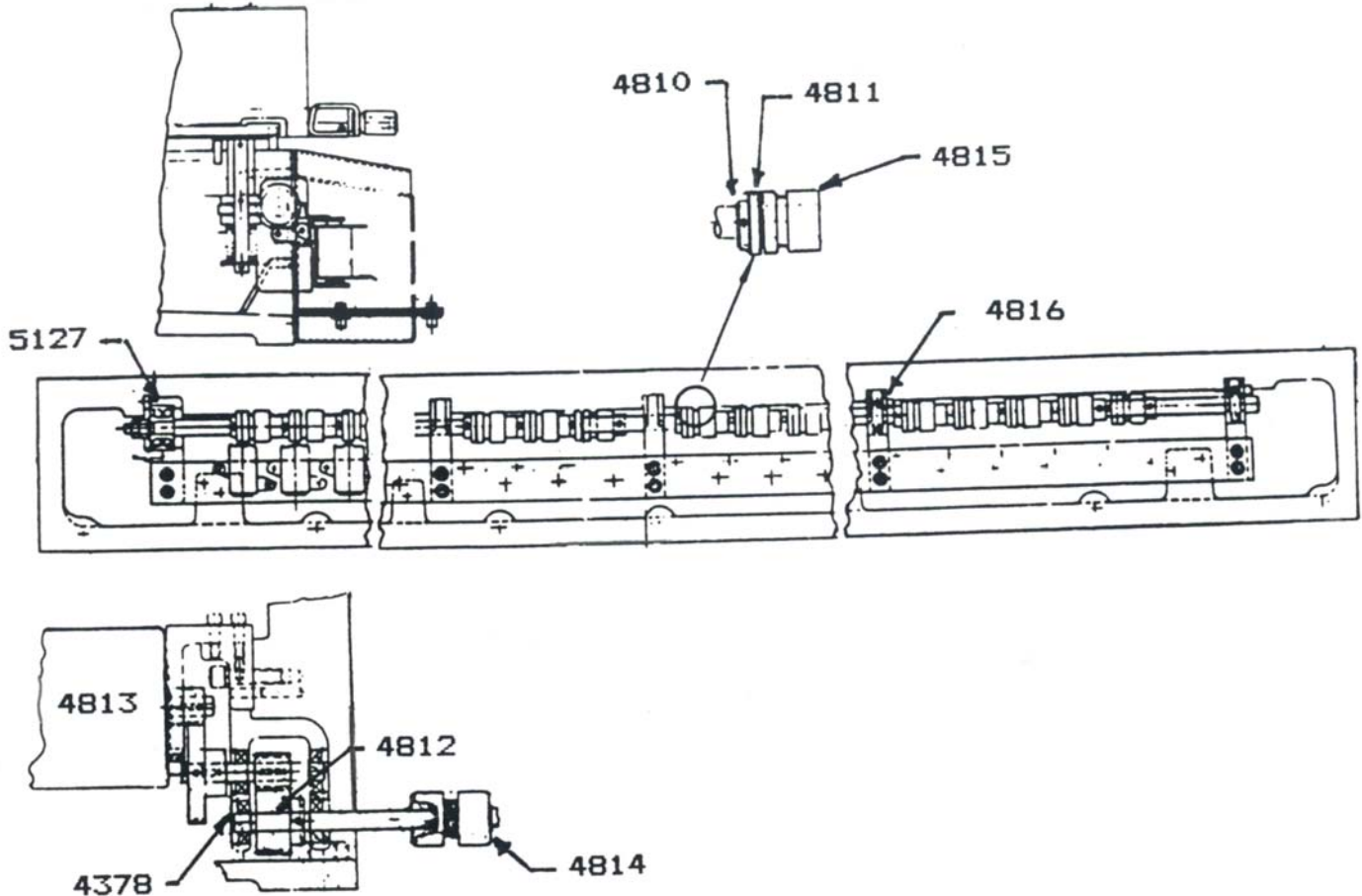
+ POST METRO PRESS NO 3117

+ POST MARK V PRESS NO. 4007

www.a-americanpressparts.com

Check our website for updates!

UNIT & HALF-DECK: INK SYSTEM



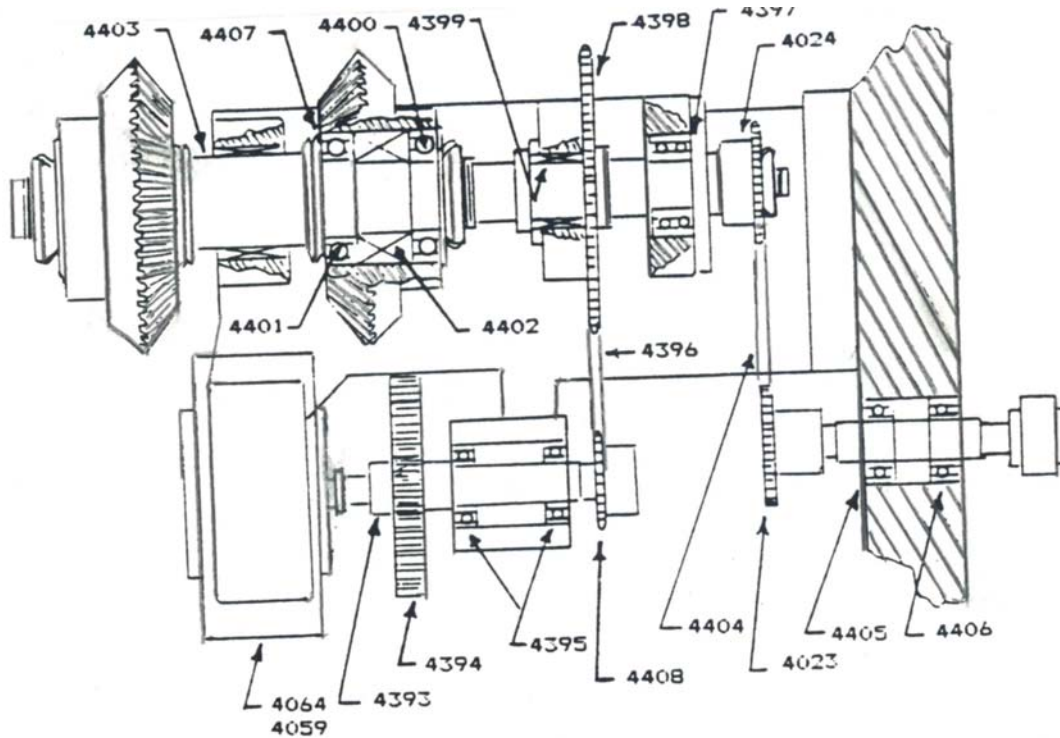
COLORTROL DRIVE • MANUAL & MOTORIZED METRO

STOCK NO.	DESCRIPTION	GOSS PART NO.
4816	Bearing	722605-0225
4810	Clutch Gear	B-066463-0003
4815	Worm Gear	B-132731-0001
4811	Thrust Washer	B-132732-0001
5127	Bearing	722605-2849
4813	Motor	C-090221-0001
4814	Coupling	787032-0062
4812	Gear	B-141024-0001
4378	Bearing	722605-1066

www.a-americanpressparts.com

Check our website for updates!

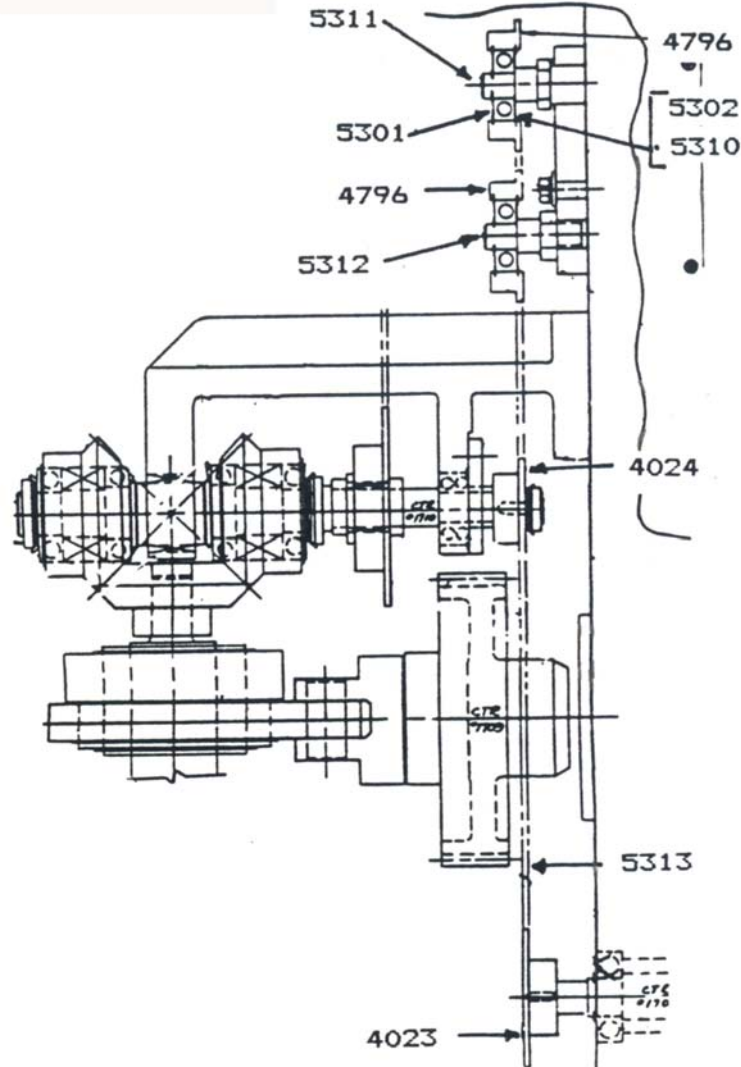
UNIT & HALF-DECK: INK SYSTEM



INK PAC DRIVE & PURGE SYSTEM

STOCK NO.	DESCRIPTION	GOSS PART NO.
4023	Sprocket	B-131132-0001
4024	Sprocket	B-131569-0001
4059	Purge Motor Repair Kit	
4064	Purge Motor	835000-0108
4393	Purge Motor Gear	B-131044-0001
4394	Gear	
4395	Bearing	C-040100-6203
4396	Chain Drive	732403-1059
4397	Bearing	722605-0272
4398	Sprocket	B-131041-0001
4399	Clutch	734300-0010
4400	Bearing	722605-0198
4401	Bearing	722605-1327
4402	Clutch	734312-0206
4403	Bearing	722657-0574
4404	Chain Drive	732403-1046
4405	Bearing	C-040100-6305
4406	Bearing	722605-0289
4407	Disc	897015-6205
4408	Sprocket	

UNIT & HALF-DECK: INK SYSTEM



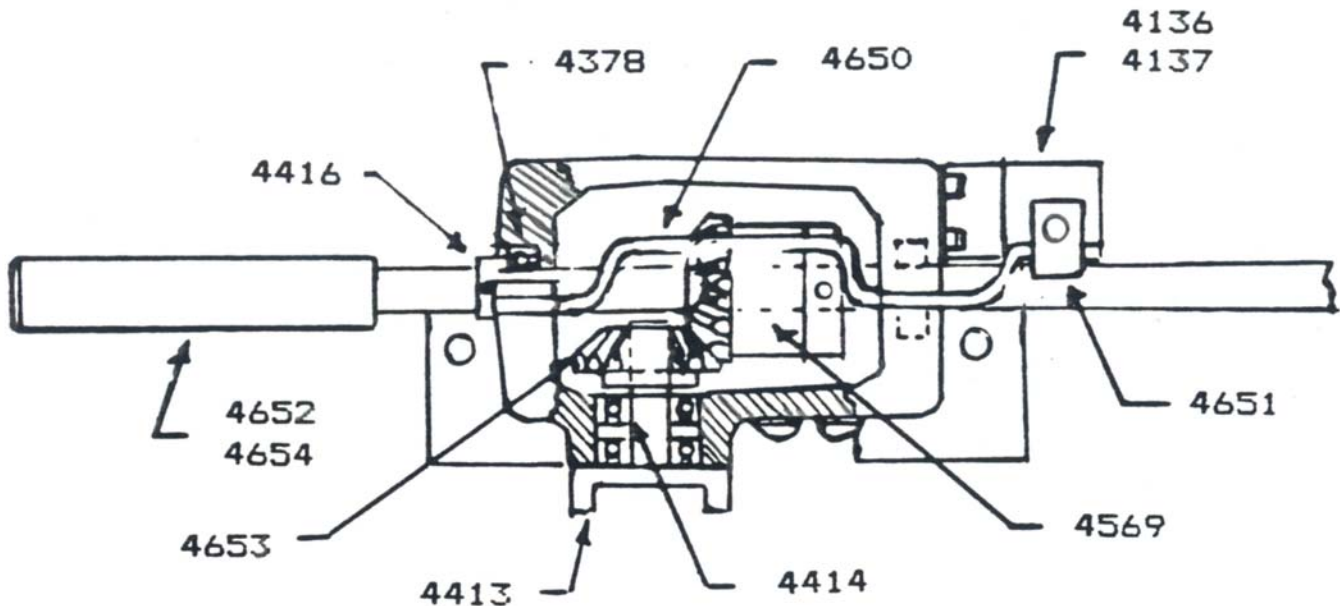
HALF-DECK INK INJECTOR DRIVE • METRO

STOCK NO.	DESCRIPTION	GOSS PART NO.
4023	Sprocket	B-131132-0001
4024	Sprocket	B-131569-0001
4796	Sprocket	B-131058-0001
5301	Bearing	C-040101-6303
5302	Retainer Ring	C-040164-0066
5310	Retainer Ring	885470-0184
5311	Stud	B-131055-0002
5312	Stud	B-131056-0002
5313	Drive Chain	732403-1156

www.a-americanpressparts.com

Check our website for updates!

UNIT & HALF-DECK: INK SYSTEM



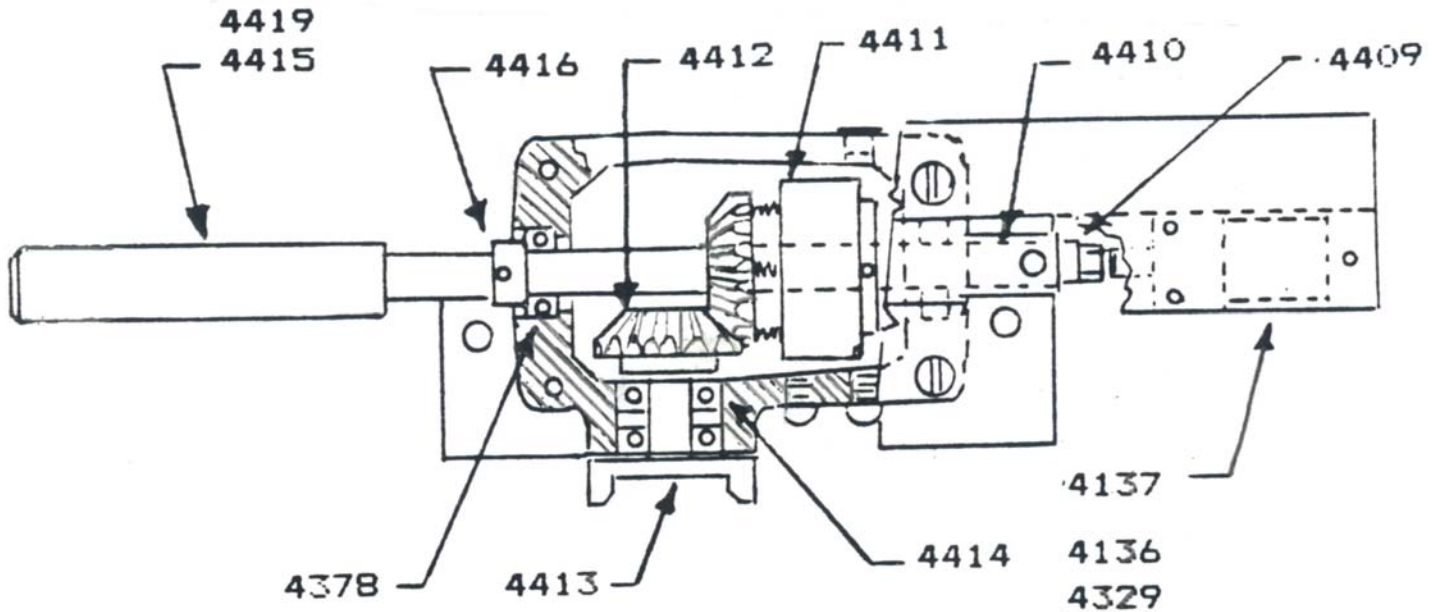
INK PAC DRIVE BOX • OLD STYLE

STOCK NO.	DESCRIPTION	GOSS PART NO.
4136	Air Cylinder	739902-0001
4137	Air Cylinder Repair Kit	
4378	Bearing	722605-1066
4413	Coupling Flange	B-133070-0001
4414	Bearing	722605-1231
4416	Spacer	B-130733-0001
4569	Clutch	C-080050-0002
4650	Wire Stop	B-130398-0001
4651	Clevis	B-130396-0001
4652	Shaft - 10 Side Drive	B-1303915-0001
4653	Gear	C-080050-0001
4654	Shaft - 13 Side Drive	B-1303915-0002

www.a-americanpressparts.com

Check our website for updates!

UNIT & HALF-DECK: INK SYSTEM



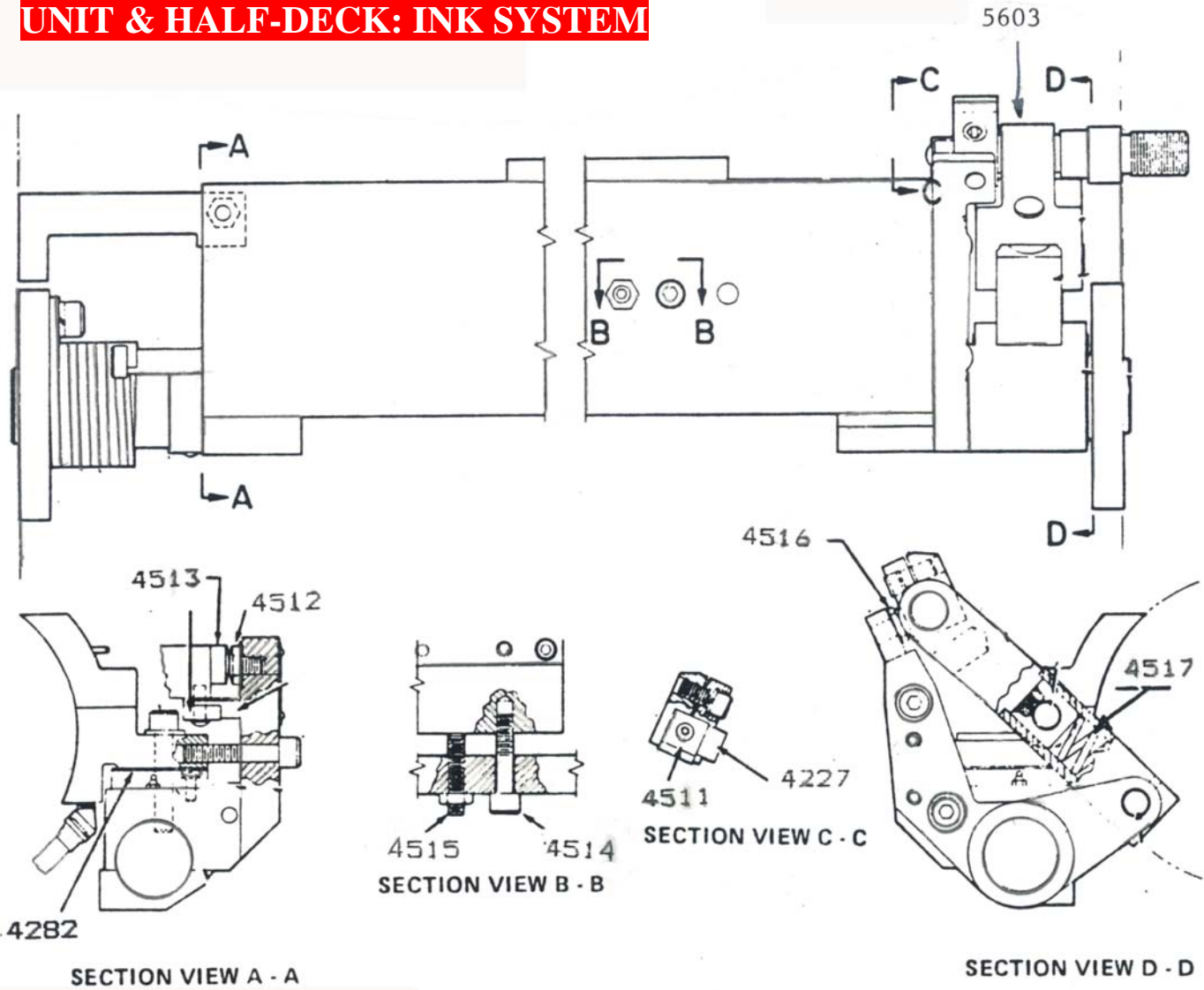
INK PAC DRIVE BOX • NEW STYLE

STOCK NO.	DESCRIPTION	GOSS PART NO.
4136	Air Cylinder	739903-0201
4137	Air Cylinder Repair Kit	
4329	Air Cylinder	739903-0202
4378	Bearing	722605-1066
4409	Clevis	B-140725-0001
4410	Link Arm	B-140723-0001
4411	Clutch Assembly	C-090490-0001
4412	Bevel Gear	C-090244-0001
4413	Coupling Flange	B-133070-0001
4414	Bearing	722605-1231
4415	Shaft - 10 Side Drive	B-139968-0001
4416	Spacer	B-130733-0001
4417	Shaft - 13 Side Assembly	B-139392-0002
4418	Shaft - 10 Side Assembly	B-139392-0001
4419	Shaft - 13 Side Assembly	B-013968-0002

www.a-americanpressparts.com

Check our website for updates!

UNIT & HALF-DECK: INK SYSTEM



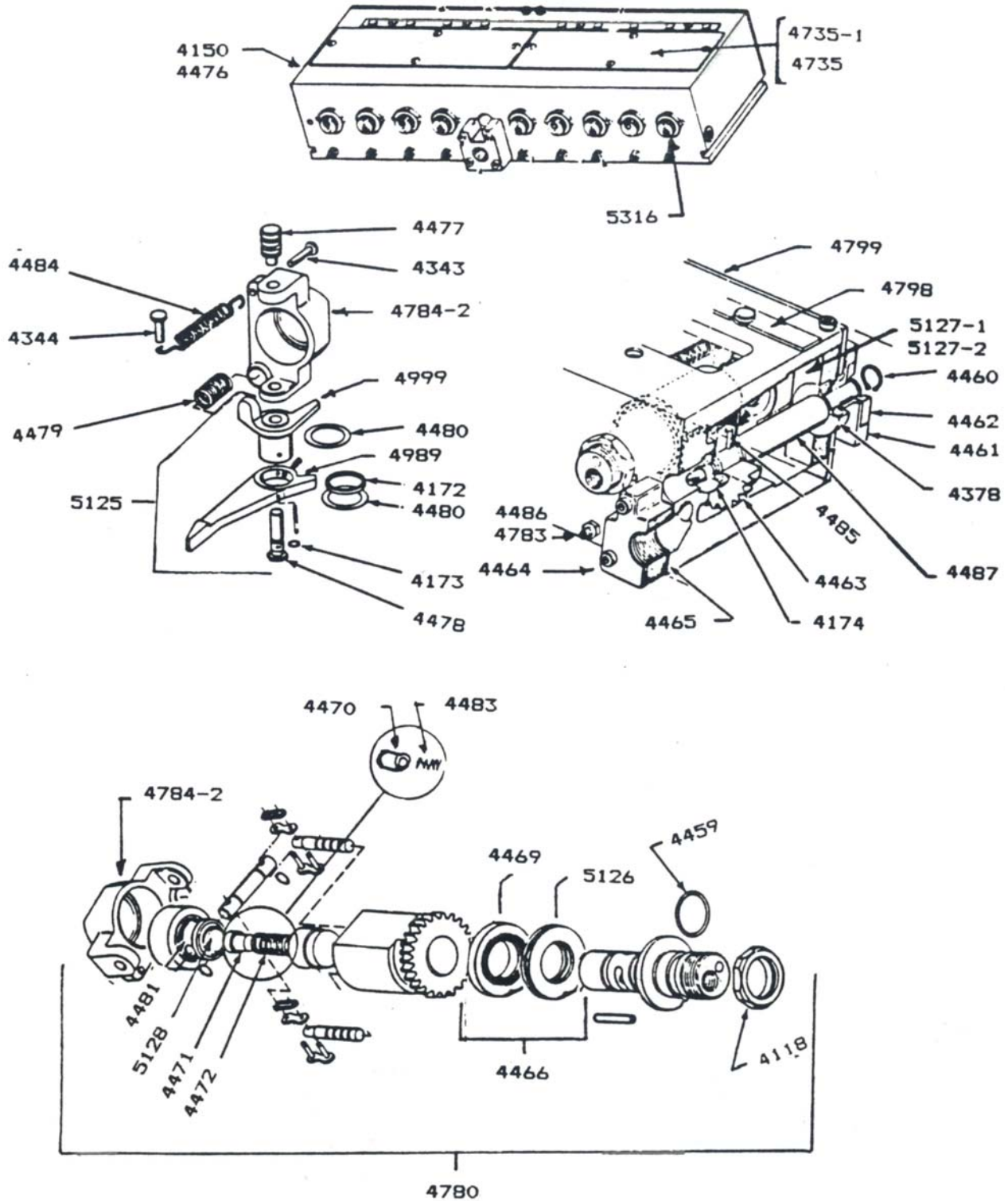
MANUAL INK RAIL • METRO

STOCK NO.	DESCRIPTION	GOSS PART NO.
4227	Bumper	B-132952-0001
4282	Ink Rail shims	B-129169-0001
4511	Bumper Clamp	B-132951-0001
4512	Rail Rest Button - Op. Drive Side	B-132953-0001
4513	Stop Rest Button - Operator Side	729700-0034
4514	Pull Screw	891201-0256
4515	Push Screw	B-129086-0004
4516	Shims for # 4512	B-893818-0004
4517	Spring	897009-0314
5603	Ink Rail Lever	B-80353-0000

www.a-americanpressparts.com

Check our website for updates!

UNIT & HALF-DECK: INK SYSTEM



DOUBLE STROKE INK INJECTOR PAGE PAC ASSEMBLY

www.a-americanpressparts.com
 Check our website for updates!



1-888-434-0888
TOLL FREE

UNIT & HALF-DECK: INK SYSTEM

DOUBLE STROKE INK INJECTOR PAGE PAC ASSEMBLY

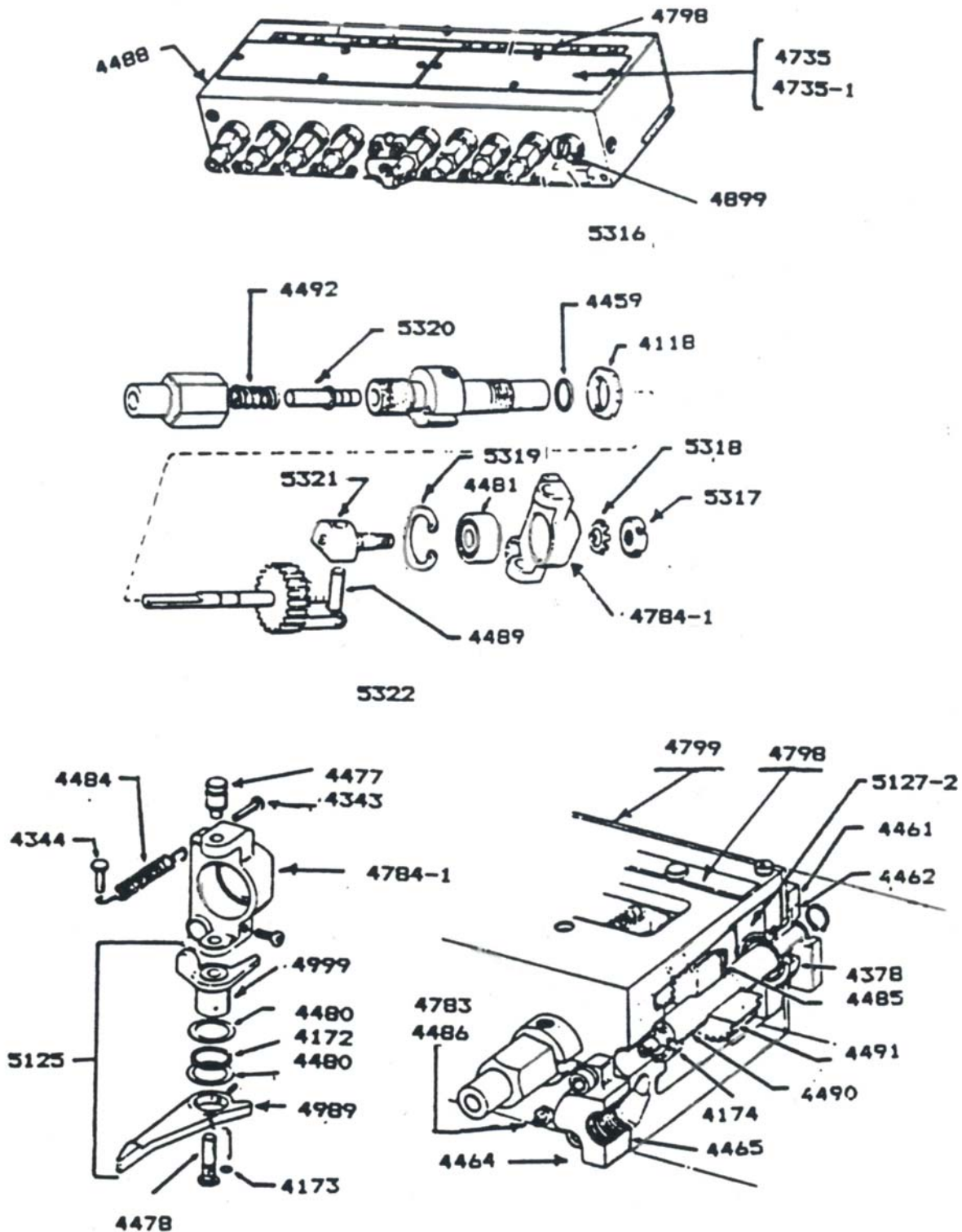
STOCK NO.	DESCRIPTION	GOSS PART NO.
4118	Seal Nut	826378-2018
4150	Double Stroke Page Pac - New	F-004200-0111
4172	Oil Seal	891551-3033
4173	O-ring	C-040161-0006
4174	Bearing	722605-1128
4343	Clevis Pin	863308-1806
4344	Clevis Pin	863308-1804
4378	Bearing	722605-1066
4459	O-ring	885458-1018
4460	Retainer	C-040164-0050
4461	Coupling Flange	B-133069-0001
4462	Center Block	B-132914-6877
4463	Gear	B-130618-0001
4464	Ink Supply Connector	B-130040-6829
4465	Gasket	B-129437-0001
4466	Bearing & Seal Assembly	C-096034-0001
4469	Seal & Spacer Assembly	
4470	Swivel Button	B-145490-0001
4471	Swivel Button	B-128684-0001
4472	Swivel Button Spring	B-131215-0001
4476	Double Stroke Page Pac - Rebuilt	F-004200-0211
4477	Pivot Pin	B-128688-0001
4478	Connecting Pin	B-131727-0001
4479	Spring	B-132889-0001
4480	Washer	B-132908-0001
4481	Bearing	C-040106-5200
4483	Swivel Button Spring	B-145191-0001
4484	Spring	B-128982-0001
4485	Shear Pin	B-144969-0001
4486	Stop Screw	B-131452-0001
4487	Shaft	B-130771-0001
4735	Printed Cover	
4735-1	Plain Cover	
4780	Pump Assembly	
4783	Nut	C-040149-2528
4784-2	Swivel	
4798	Pivot Holddown Plate	C-078366-0001
4799	Back Plate	C-080455-0001
4989	Adjusting Lever Link	B-131728-0001
4999	Memory Link	B-131729-0001
5125	Memory Link Assembly	
5126	Thrust Bearing	
5127-1	Bearing Bracket - 4 Screw	B-130709-0001
5127-2	Bearing Bracket - 3 Screw	B-145906-0001
5128	Swivel	B-128685-0001
5316	Plug	B-131072-0001

**** INK INJECTOR PAGE PAC REPAIRS AVAILABLE ****

www.a-americanpressparts.com

Check our website for updates!

UNIT & HALF-DECK: INK SYSTEM



SINGLE STROKE INK INJECTOR PAGE PAC ASSEMBLY



1-888-434-0888
TOLL FREE

UNIT & HALF-DECK: INK SYSTEM

SINGLE STROKE INK INJECTOR PAGE PAC ASSEMBLY

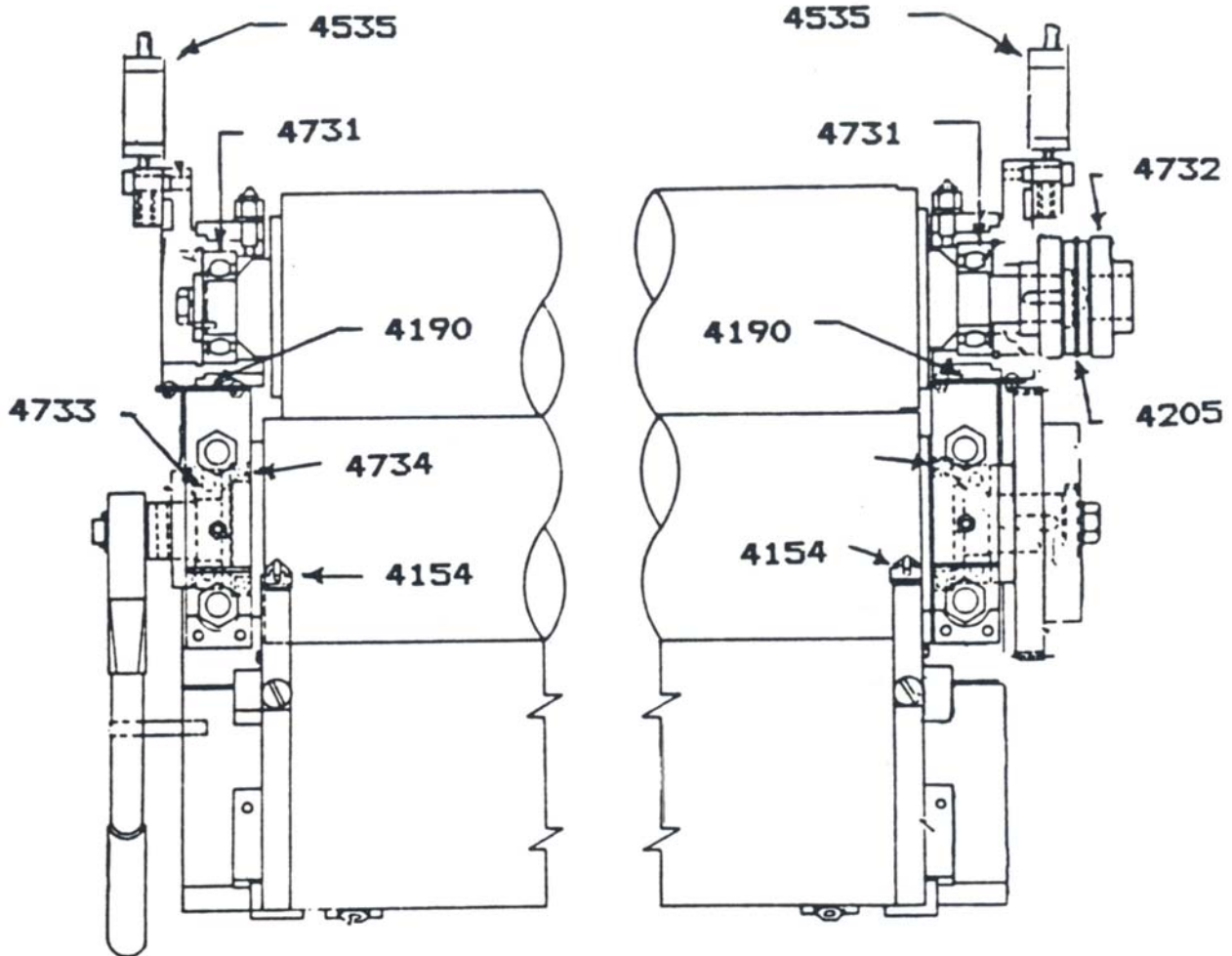
STOCK NO.	DESCRIPTION	GOSS PART NO.
4118	Seal Nut	826378-2018
4172	Oil Seal	891551-3033
4173	O-ring	C-040161-0006
4174	Bearing	722605-1128
4343	Clevis Pin	863308-1806
4344	Clevis Pin	863308-1804
4378	Bearing	722605-1066
4459	O-ring	885458-1018
4461	Coupling Flange	B-133069-0001
4462	Center Block	B-132914-6877
4464	Connector	B-130040-6829
4465	Gasket	B-129437-0001
4477	Pin	B-128688-0001
4478	Connecting Pin	B-131727-0001
4480	Washer	B-132908-0001
4481	Bearing	C-040106-5200
4484	Spring	B-128982-0001
4485	Shear Pin	B-144969-0001
4486	Adjusting Screw	B-131452-0001
4488	Single Stroke Ink Page Pac	004717-0111
4489	Swivel Pin	B-148588-0001
4490	Drive Shaft	C-100697-0001
4491	Gear	C-100695-0001
4492	Spring	897009-0374
4783	Nut	C-040149-2528
4784-1	Swivel	C-100696-0001
4798	Pivot Holdown Plate	C-078366-0001
4799	Back Plate	C-080455-0001
4899	Dip Stick	B-148826-0001
4989	Adjusting Lever Link	B-131728-0001
4999	Memory Link	B-131729-0001
5125	Memory Link Assembly	
5127-2	Bearing Bracket	B-145906-0001
5316-1	Plug	B-131072-0001
5317	Locknut	C-040123-0100
5318	Lockwasher	C-040124-0100
5319	Retaining Ring	885470-0904
5320	Piston	B-148506-0001
5321	Eccentric	C-100694-0001
5322	Pin	B-148725-0001

**** INK INJECTOR PAGE PAC REPAIRS AVAILABLE ****

www.a-americanpressparts.com

Check our website for updates!

UNIT & HALF-DECK: INK SYSTEM



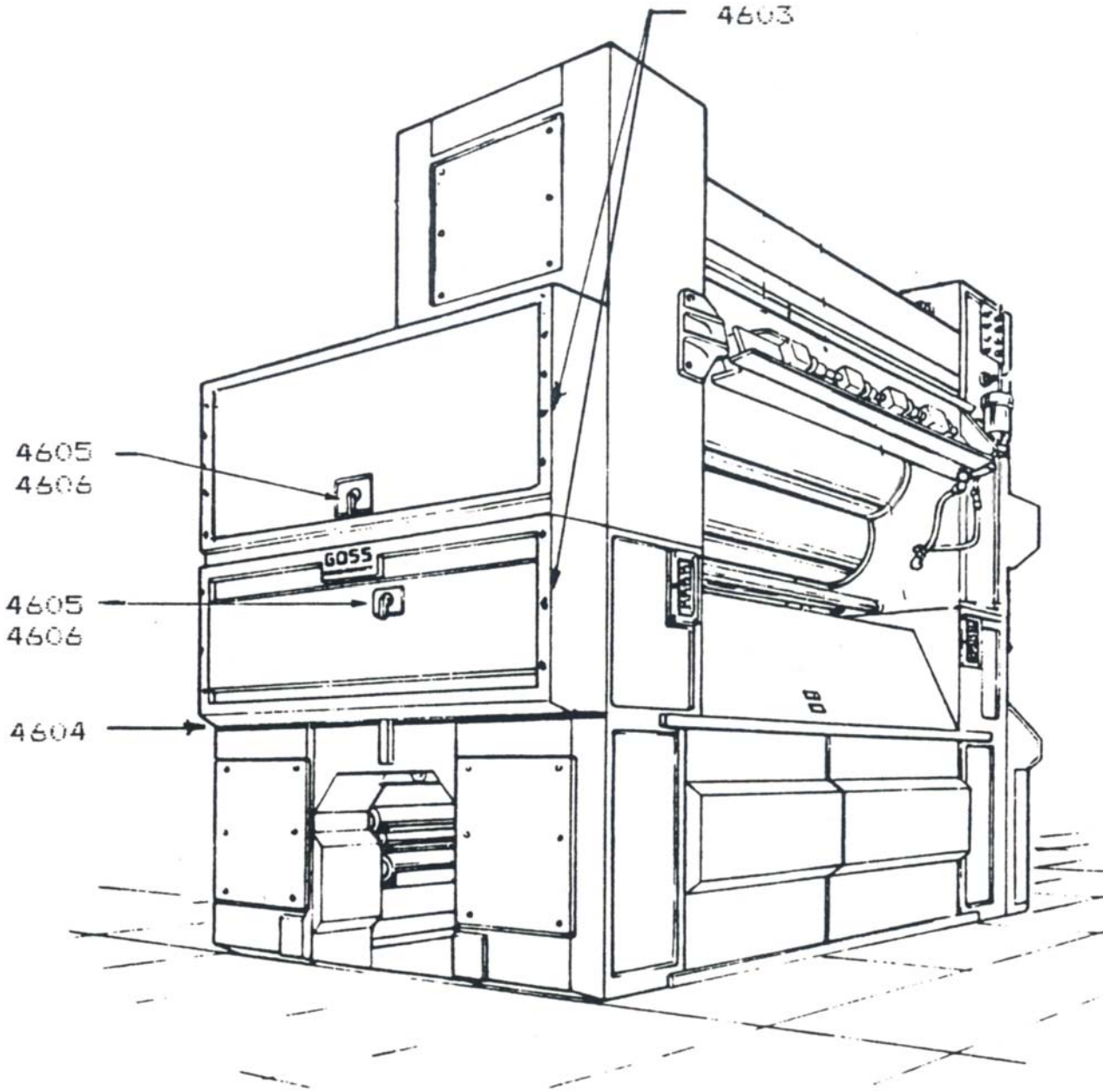
UNDER SHOT FOUNTAIN & PICK-UP ROLLER ASSEMBLY

STOCK NO.	DESCRIPTION	GOSS PART NO.
4154	Fountain Seal	C-084792-0001
4190	Shim Set	B-115988-0001
4205	Sleeve	737832-0090
4535	Air Cylinder	B-116658-0011
4731	Pick-up Roller Bearing	722673-0070
4732	Coupling	737832-0090
4733	Fountain Roller Bearing	722605-0580
4734	Fountain Roller Seal	891157-2098

www.a-americanpressparts.com

Check our website for updates!

UNIT & HALF-DECK: GUARDS



DRIVE SIDE

STOCK NO.	DESCRIPTION	GOSS PART NO.
4603	Allen Screw (3/8" x 8" lg.)	C-040132-3780
4604	Rubber Gasket	888653-0005
4605	Latch	822800-0020
4606	Latch Plate	B-117009-0001

www.a-americanpressparts.com

Check our website for updates!

UNIT & HALF-DECK: GUARDS

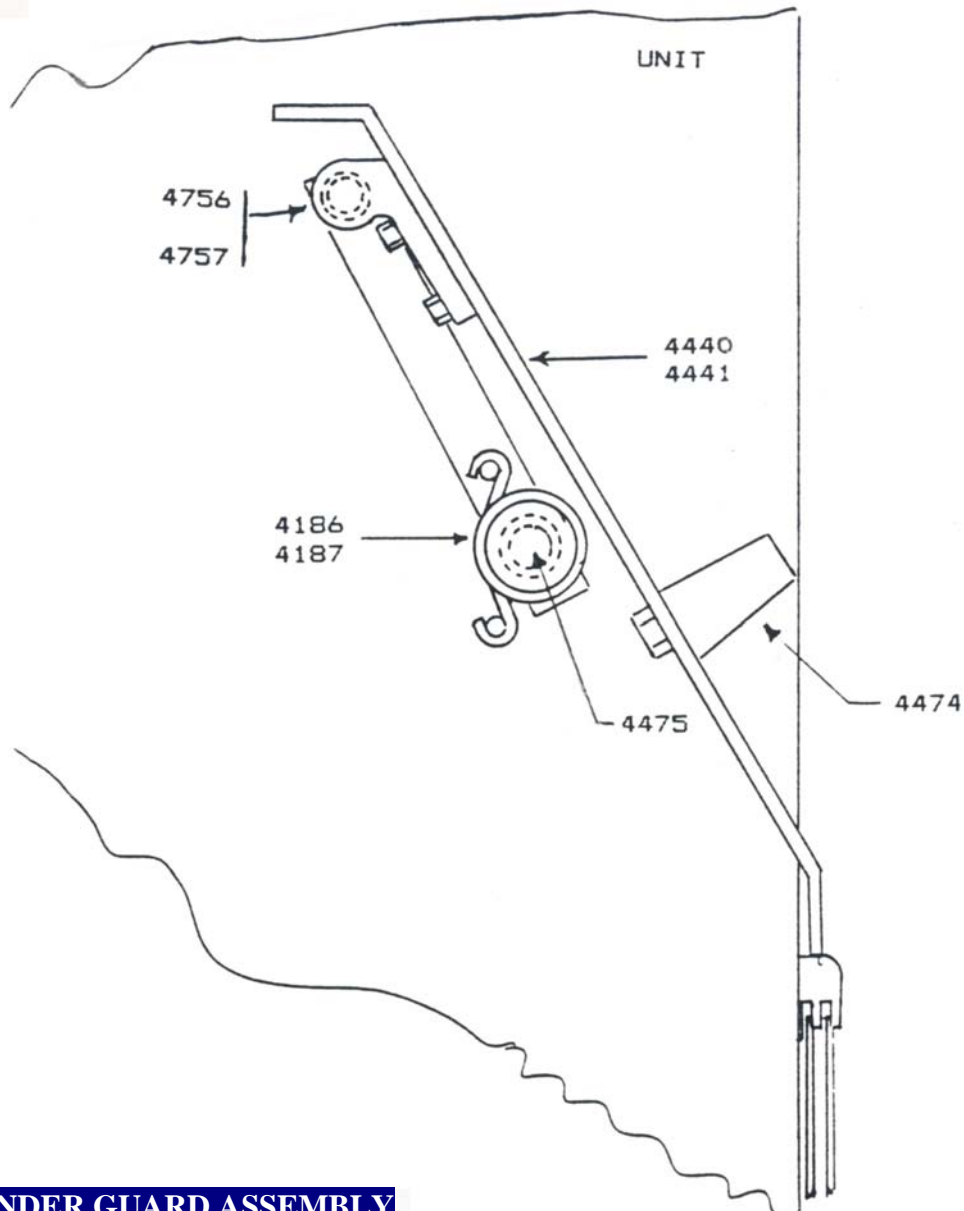


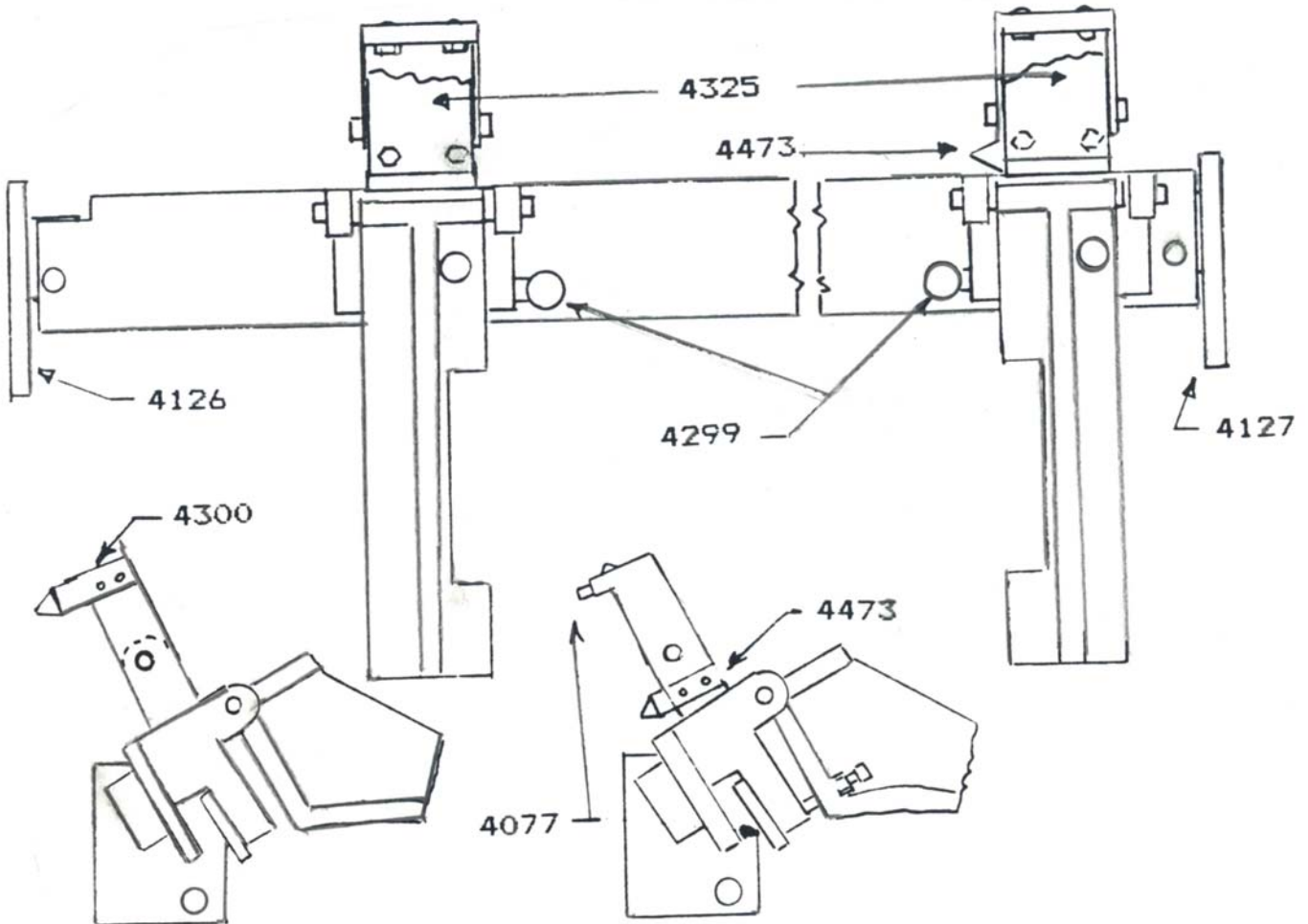
PLATE CYLINDER GUARD ASSEMBLY

STOCK NO.	DESCRIPTION	GOSS PART NO.
4440	Plate Cylinder Guard	D-028461-0001
4441	Plate Cylinder Guard	D-028461-0002
4186	Guard Spring - RH	C-071815-0001
4187	Guard Spring - LH	C-071815-0002
4474	Handle	C-086272-0001
4475	Stripper Bolt	C-040131-7522
4756	Hinge - CI	B-149669-0001
4757	Hinge - Steel	

www.a-americanpressparts.com

Check our website for updates!

UNIT & HALF-DECK: GUARDS



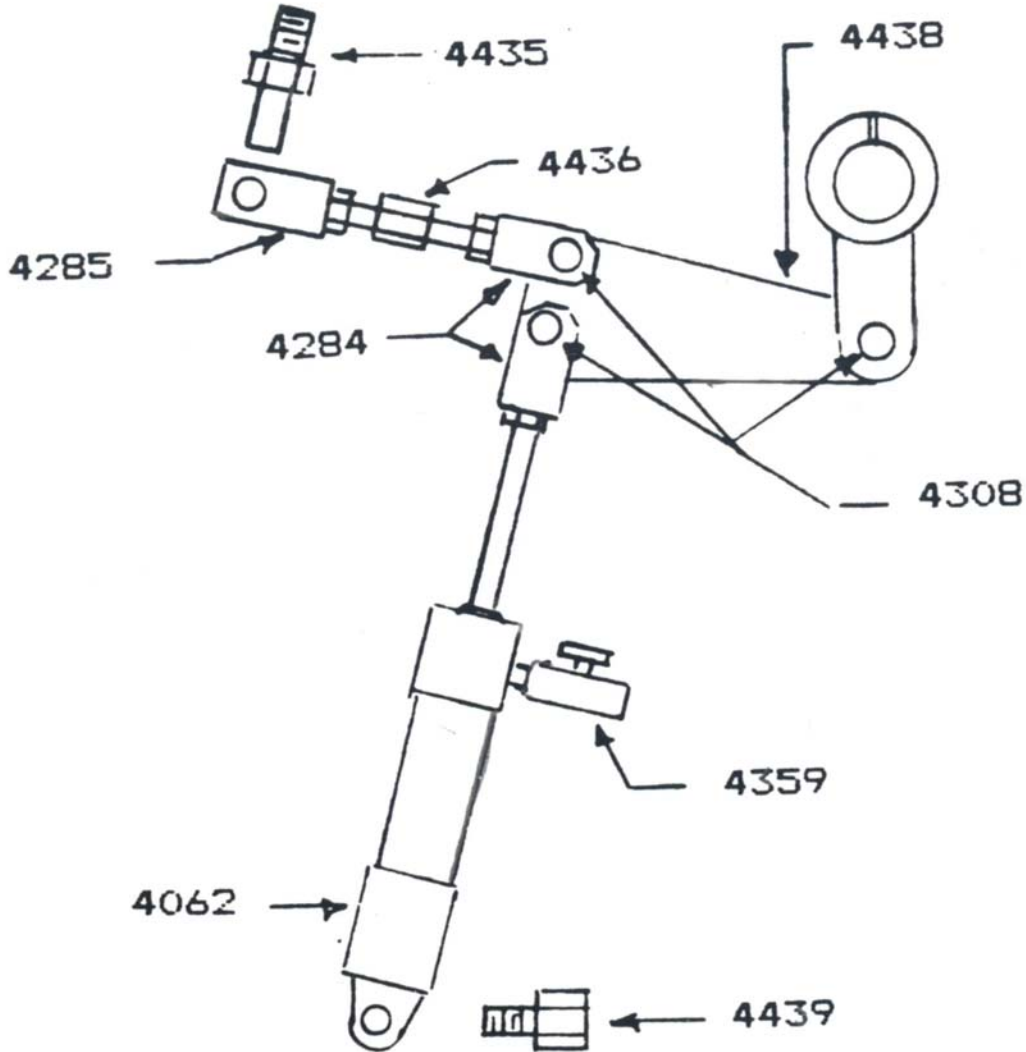
FINGER GUARD & BEARER WIPER ASSEMBLY

STOCK NO.	DESCRIPTION	GOSS PART NO.
4077	Wiper Felt	116980-0101
4126	Bracket	C-099421-0002
4127	Bracket	C-099421-0001
4299	Oil Cup (90°)	739157-0101
4300	Timing Pointer	B-098556-0001
4325	Spring Retainer	B-116986-0001
4473	Timing Pointer	B-125715-0001

www.a-americanpressparts.com

Check our website for updates!

UNIT & HALF-DECK: INKFEED SYSTEM



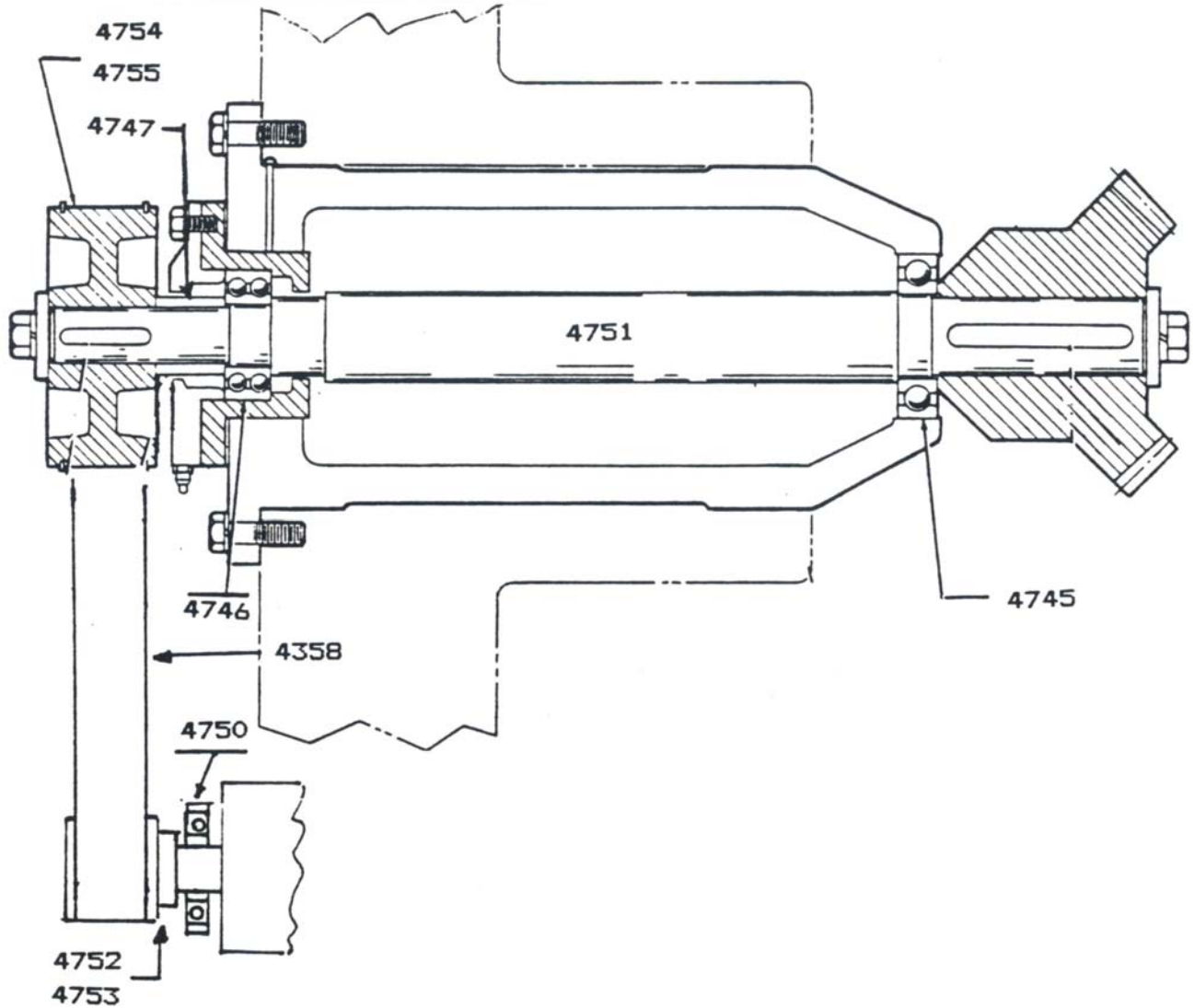
INFEEED LINKAGE • METRO

STOCK NO.	DESCRIPTION	GOSS PART NO.
4062	Air Cylinder	B-116658-0008
4284	Clevis	B-121259-0001
4285	Pivot	B-121254-0001
4308	Pin	B-121258-0001
4359	Air Control Valve	920500-0066
4435	Pivot Stud	B-121255-0001
4436	Turnbuckle	B-121257-0001
4438	Link	B-121261-0001
4439	Pivot	C-115928-0001

www.a-americanpressparts.com

Check our website for updates!

UNIT & HALF-DECK: INKFEED SYSTEM



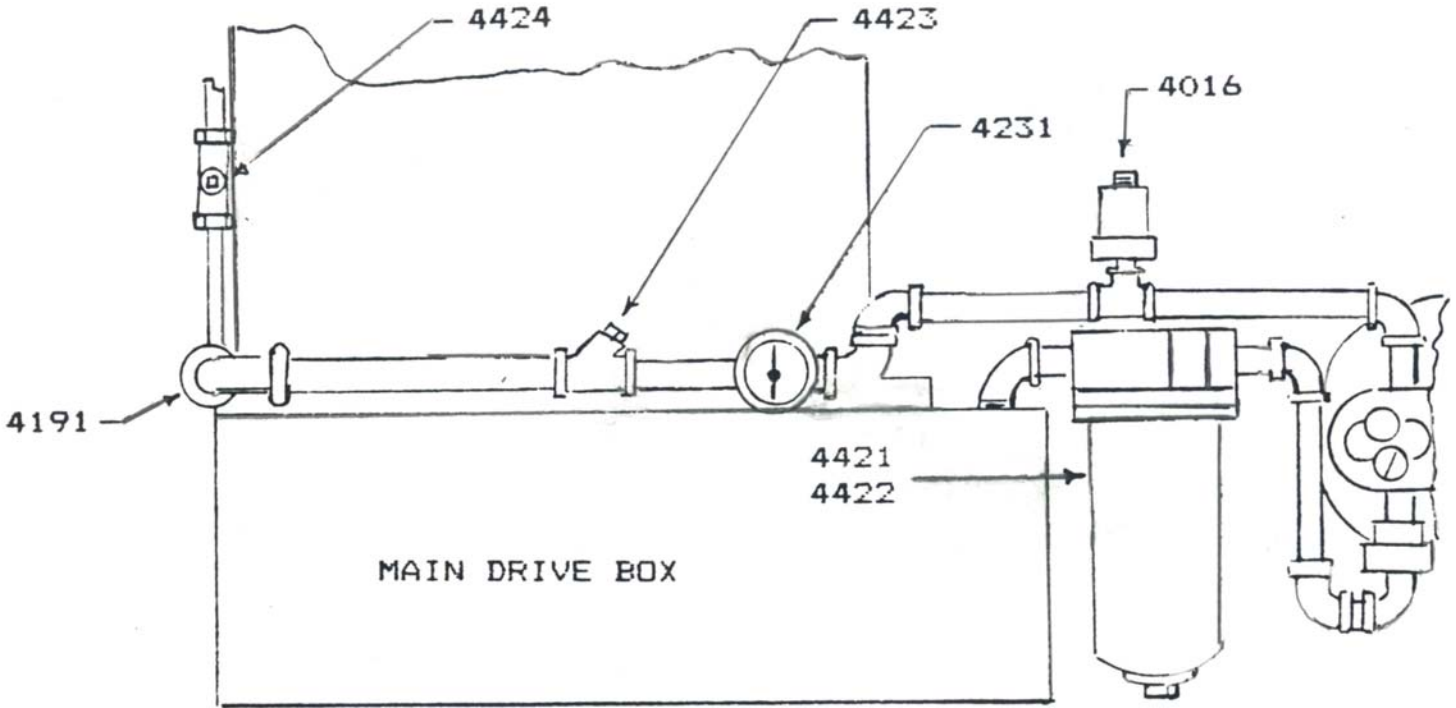
INFEED DRIVE ASSEMBLY • METRO

STOCK NO.	DESCRIPTION	GOSS PART NO.
4358	Timing Belt	723675-0358
4745	Bearing	722605-0566
4746	Bearing	C-040108-5206
4747	Spacer	C-040064-2515
4750	Infeed Roller Bearing	722607-0116
4751	Shaft	C-066245-0001
4752	Infeed Pulley (40 Grooves)	C-067543-0001
4753	Infeed Pulley (36 Grooves)	C-067543-0001
4754	Pulley (30 Grooves)	C-067504-0001
4755	Pulley (26 Grooves)	C-067505-0001

www.a-americanpressparts.com

Check our website for updates!

UNIT & HALF-DECK: LUBRICATION SYSTEM



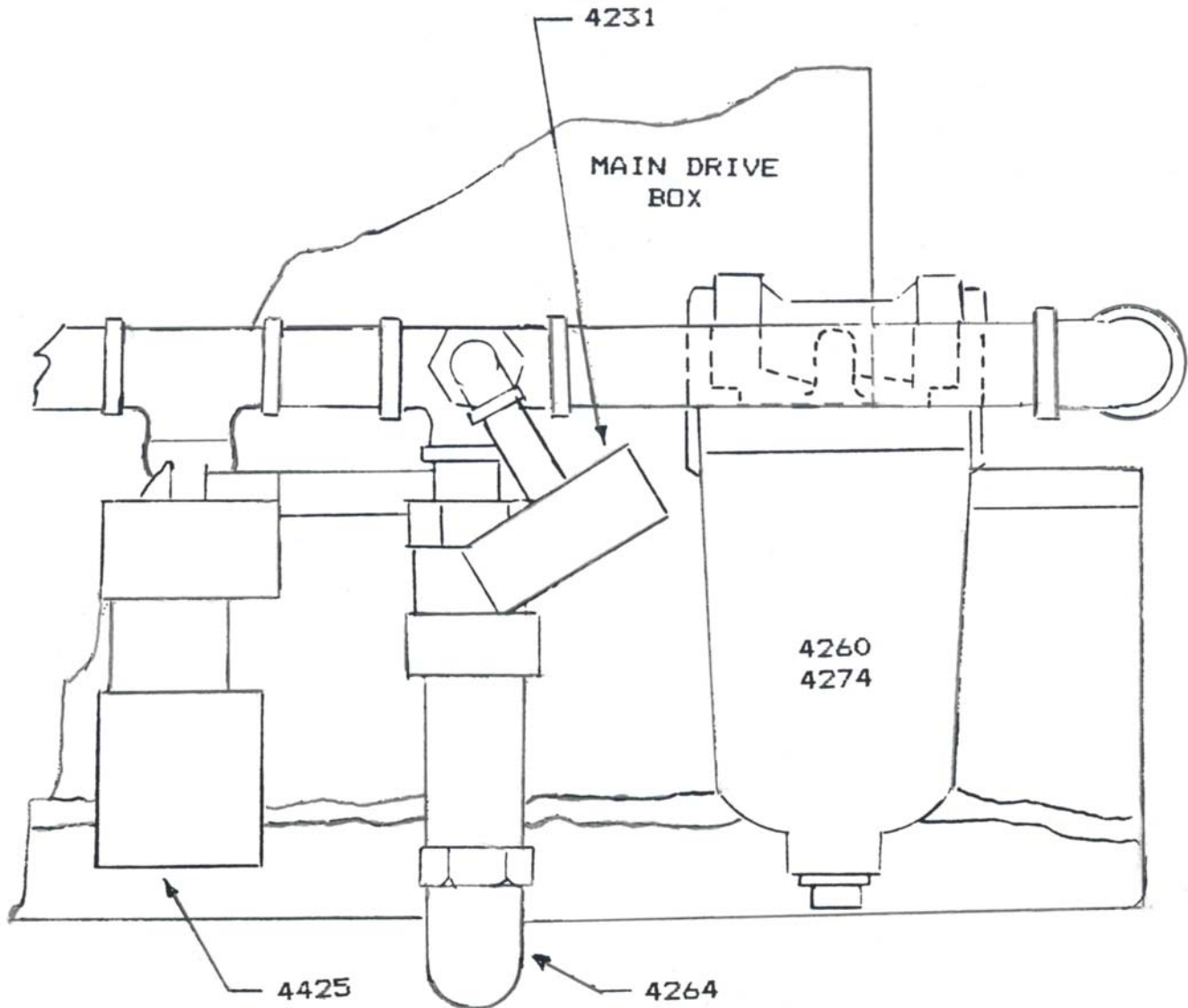
MAIN DRIVE BOX WITH ELECTRIC PUMP • METRO

STOCK NO.	DESCRIPTION	GOSS PART NO.
4016	Pressure Switch	899765-0001
4191	90° Elbow	727861-0216
4231	Pressure Gage	771529-0500
4421	Filter	762965-0008
4422	Filter Element	
4423	Check Valve	920509-0005
4424	Valve w/Shield	920525-0012

www.a-americanpressparts.com

Check our website for updates!

UNIT & HALF-DECK: LUBRICATION SYSTEM



MAIN DRIVE BOX WITH GEAR DRIVEN PUMP • METRO

STOCK NO.	DESCRIPTION	GOSS PART NO.
4231	Pressure Gage	771500-0500
4260	Filter	762948-0081
4264	Relief Valve	920567-0014
4274	Filter Element	
4425	Pressure Switch	899765-0050

www.a-americanpressparts.com

Check our website for updates!

UNIT & HALF-DECK: LUBRICATION SYSTEM



GREASE HOSE ASSEMBLY

STOCK NO.	DESCRIPTION	GOSS PART NO.
4495	Grease Hose	787552-0014
4496 ALL H	Grease Hose Assembly, 18" lg.	**SPECIFICATIONS**
4497	Grease Hose Assembly, 24" lg.	
4498	Grease Hose Assembly, 36" lg.	
4499	Grease Hose Assembly, 48" lg.	



4155



4494



4156



4157



4493

GREASE HOSE FITTINGS

STOCK NO.	DESCRIPTION	GOSS PART NO.
4155	90^ Male Elbow	
4156	45^ Male Elbow	
4157	Male Branch Tee	C-040052-3221
4493	Male Straight Connector	
4494	Swivel Fitting	C-040050-3012

UNIT & HALF-DECK: LUBRICATION SYSTEM

HI-DUTY FITTINGS

STOCK NO. DESCRIPTION GOSS PART NO.

9800	Nut (3/16" Tube)	
9801	Nut (1/4" Tube)	
9802	Nut (5/16" Tube)	
9803	Nut (3/8" Tube)	
9804	Nut (1/2" Tube)	
9805	Nut (5/8" Tube)	
9806	Nut (3/4" Tube)	
9807	Union (3/16" Tube)	
9808	Union (1/4" Tube)	
9809	Union (5/16" Tube)	
9810	Union (3/8" Tube)	
9811	Union (1/2" Tube)	
9812	Union (5/8" Tube)	
9813	Union (3/4" Tube)	
9814	Male Connector (3/16" Tube x 1/8" MPT)	
9815	Male Connector (1/4" Tube x 1/8" MPT)	
9816	Male Connector (5/16" Tube x 1/8" MPT)	
9817	Male Connector (3/8" Tube x 1/8" MPT)	
9818	Male Connector (3/8" Tube x 1/4" MPT)	
9819	Male Connector (1/2" Tube x 1/2" MPT)	
9820	Male Connector (5/8" Tube x 1/2" MPT)	
9821	Male Connector (3/4" Tube x 1/2" MPT)	
9822	Male Elbow (3/16" Tube x 1/8" MPT)	
9823	Male Elbow (1/4" Tube x 1/8" MPT)	
9824	Male Elbow (5/16" Tube x 1/8" MPT)	
9825	Male Elbow (3/8" Tube x 1/8" MPT)	
9826	Male Elbow (3/8" Tube x 1/4" MPT)	
9827	Male Elbow (3/8" Tube x 3/8" MPT)	
9828	Male Elbow (1/2" Tube x 1/4" MPT)	
9829	Male Elbow (1/2" Tube x 3/8" MPT)	
9830	Union Tee (3/16" Tube)	
9831	Union Tee (1/4" Tube)	
9832	Union Tee (5/16" Tube)	
9833	Union Tee (3/8" Tube)	
9834	Union Tee (1/2" Tube)	
9835	Union Tee (5/8" Tube)	
9836	Union Tee (3/4" Tube)	
9837	Male Branch Tee (3/16" Tube x 1/8" MPT)	
9838	Male Branch Tee (1/4" Tube x 1/8" MPT)	
9839	Male Branch Tee (5/16" Tube x 1/8" MPT)	
9840	Male Branch Tee (3/8" Tube x 1/8" MPT)	
9841	Male Branch Tee (3/8" Tube x 1/4" MPT)	

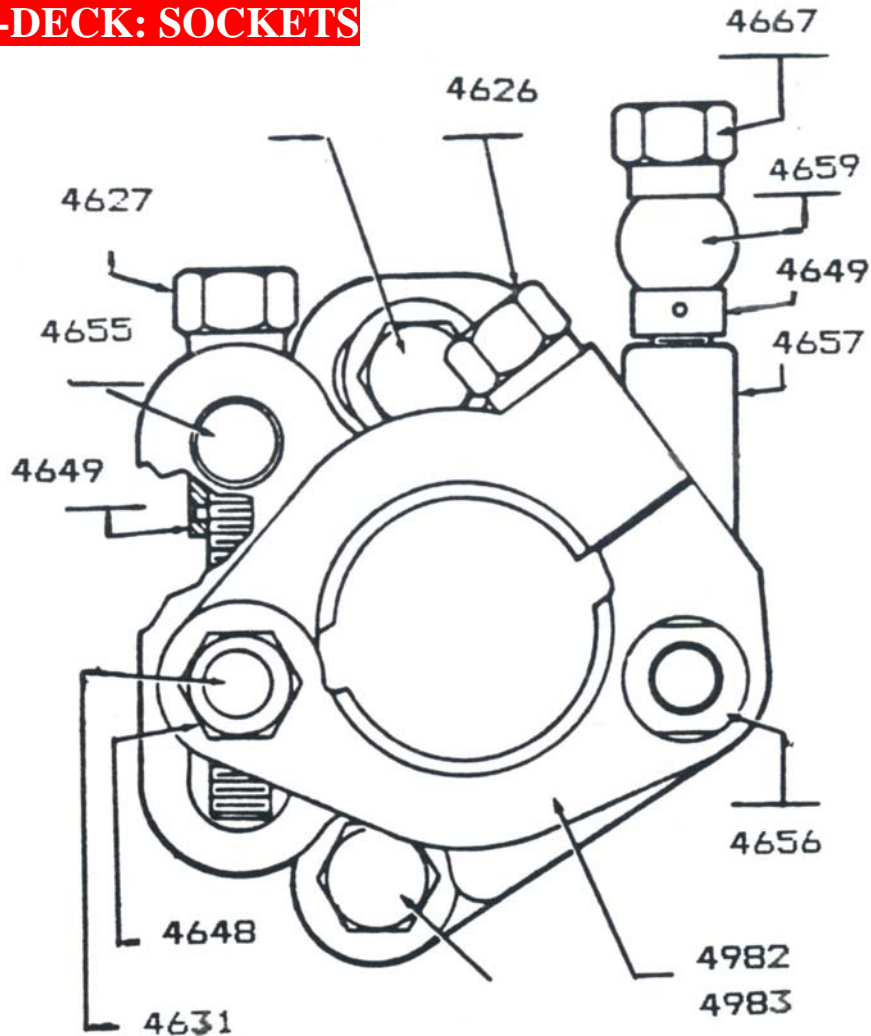




1-888-434-0888
TOLL FREE

UNIT & HALF-DECK: NOTES

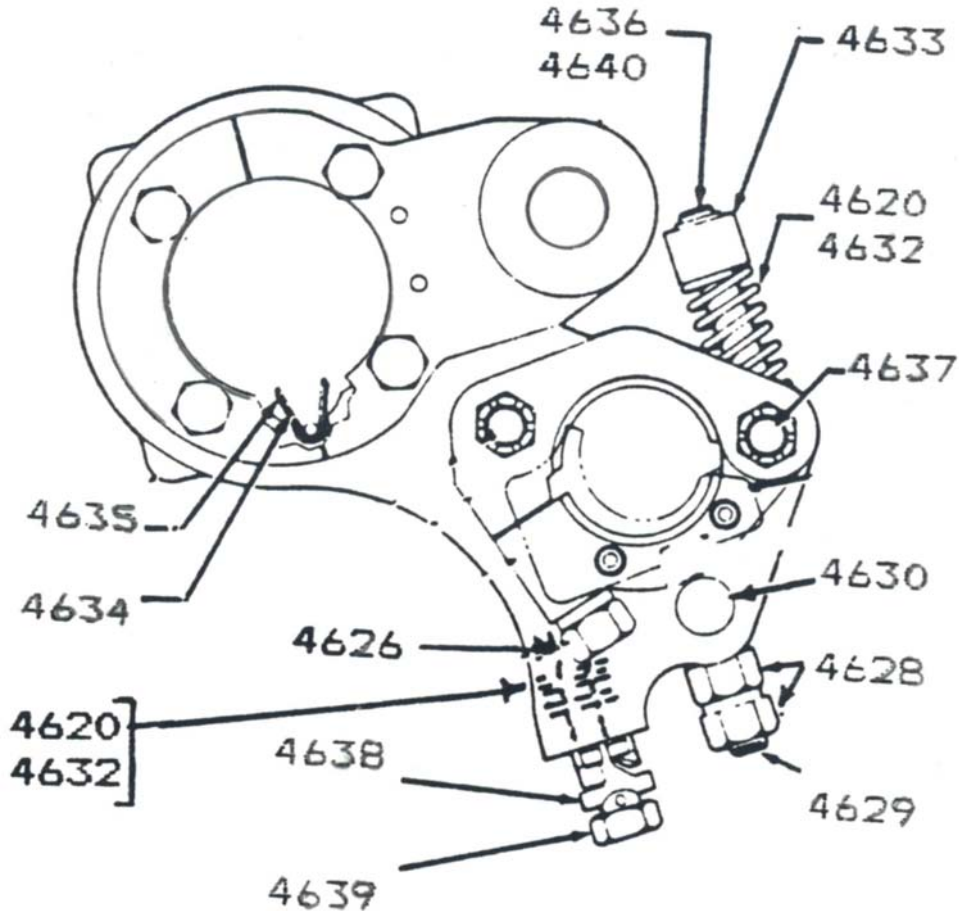
UNIT & HALF-DECK: SOCKETS



INK TRANSFER ROLLER SOCKET • METRO

STOCK NO.	DESCRIPTION	GOSS PART NO.
4626	Cap Clamp Screw	B-114068-0001
4627	Adjusting Screw	B-114058-0001
4631	Adjusting Post	B-114057-0001
4648	Nut	B-114037-0001
4649	Adjusting Screw Nut	B-114059-0001
4655	Adjusting Screw Post	B-114060-0001
4656	Socket Stud Nut	B-121797-0001
4657	Swivel Nut	B-114072-0001
4659	Socket Adjusting Pivot	B-114070-0001
4667	Adjusting Screw	B-155195-0001
4982	Socket	C-066183-0001
4983	Socket	C-066183-0002

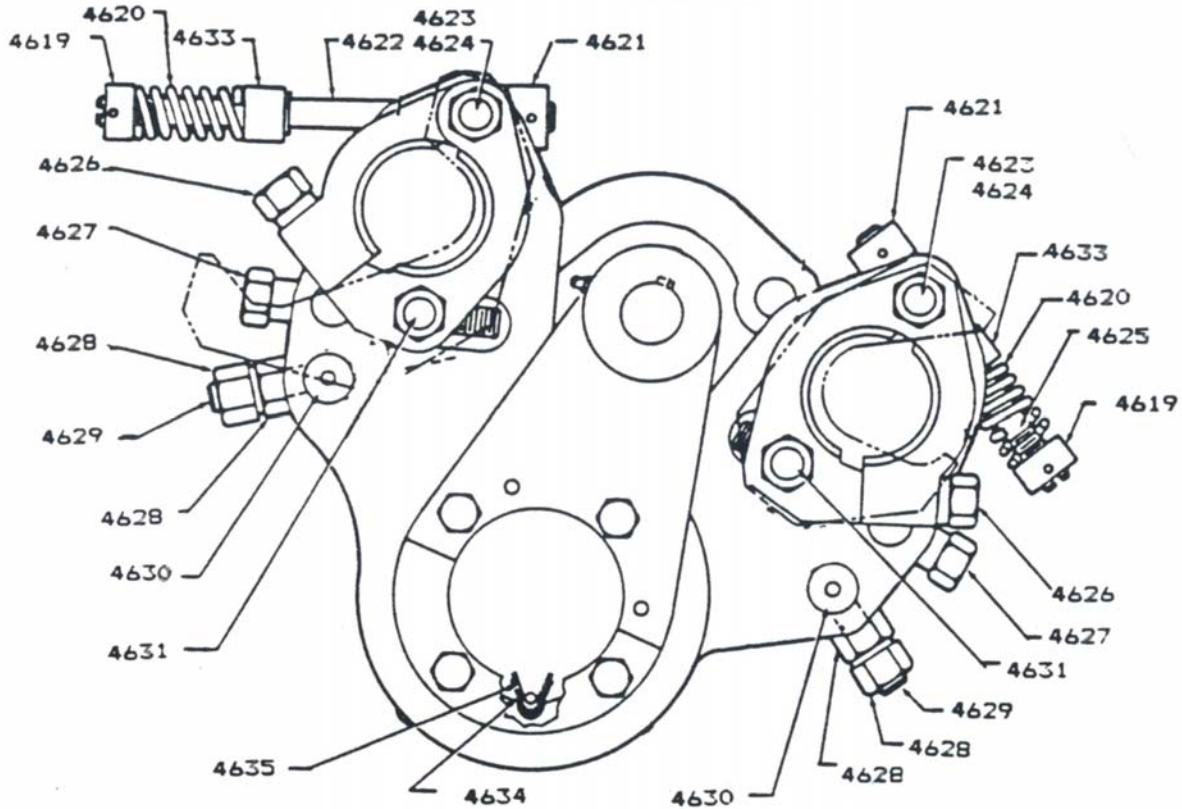
UNIT & HALF-DECK: SOCKETS



DAMPENER FORM ROLLER • METRO

STOCK NO.	DESCRIPTION	GOSS PART NO.
4620	Spring * 14-1/2" to 15" Press	897009-0300
4626	Cap Clamp Screw	B-114068-0001
4628	Adjusting Nut	B-114262-0001
4629	Stud	B-114261-0001
4632	Spring * 13-11/16" Press	897009-0448
4633	Spring Post	B-125701-0001
4634	Oil Wiper	B-103209-0001
4635	Oil Wiper Spring	B-095893-0001
4636	Spring Rod * 14-1/2" to 15" Press	B-125700-0001
4637	Socket Stud	B-124951-0001
4638	Cam Nut	B-120024-0000
4639	Adjusting Screw	B-123378-0004
4640	Spring Rod * 13-11/16" Press	B-125700-0002

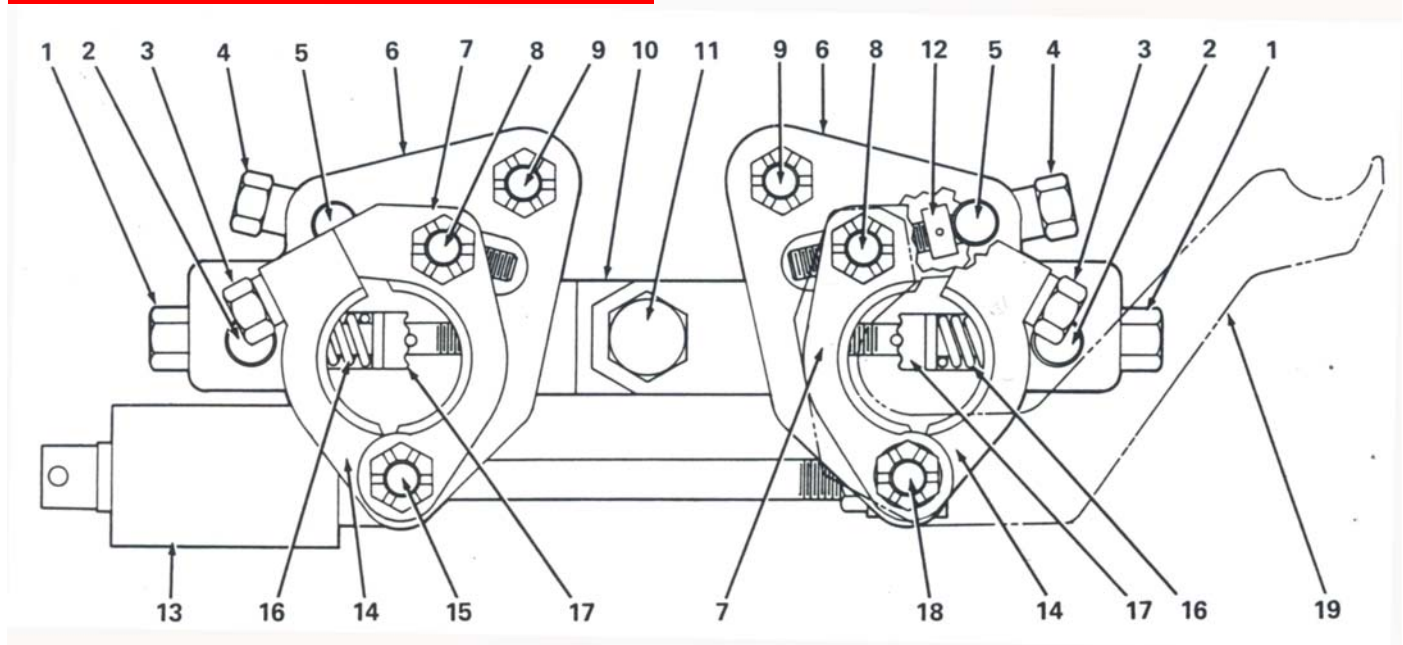
UNIT & HALF-DECK: SOCKETS



INK FORM ROLLER • METRO

STOCK NO.	DESCRIPTION	GOSS PART NO.
4619	Spring Rod Nut	B-125148-0001
4620	Spring	897009-0300
4621	Spring Rod Nut	B-126034-0001
4622	Spring Rod	B-126033-0001
4623	Socket Stud	B-114064-0002
4624	Socket Stud	B-114064-0003
4625	Spring Rod	B-125702-0001
4626	Cap Clamp Screw	B-114068-0001
4627	Adjusting Screw	B-114058-0001
4628	Locknut	B-114262-0001
4629	Stud	B-114261-0001
4630	Adjusting Screw Post	B-114061-0001
4631	Adjusting Post	B-114057-0001
4632	Spring	897009-0448
4633	Throw-off Post	B-125701-0001
4634	Oil Wiper	B-103209-0001
4635	Oil Wiper Spring	B-095893-0001

UNIT & HALF-DECK: SOCKETS

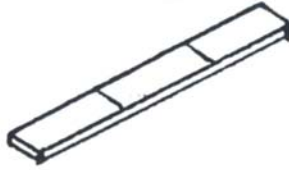


SHAFTLESS INK FORM ROLLER SOCKET • METRO HALF-DECK

ITEM #	STOCK NO.	DESCRIPTION	GOSS PART NO.
1	4952-000	Stop Screw	B-139676-0001
2	4952-001	Stop Post	B-139673-0001
3*	4626-000	Cap Screw	B-114068-0001
4	4627-000	Adj. Screw	B-114058-0001
5	4633-000	Adj. Screw Post	B-114060-0001
6	5847-000	Mtg. Plate	C-088509-0001
7*		Roller Socket Body	
8	4951-000	Adj. Post	B-114057-0002
9	5996-000	Pivot Pin	B-139675-0001
10	5606-000	Bracket Stop	C-088520-0001
10A	5607-000	Socket Bkt.	B-159685-0001
11	5606-500	Stud Stop	B-139672-0001
12	4649-000	Adj. Screw Nut	B-114059-0001
13	4950-000	Air Cylinder	739902-0017
14*		Roller Socket Cap	
15	4950-002	Cylinder Pin	B-139671-0001
16	4953-000	Comp. Spring	A-007179-0001
17	4954-000	Ratchet Block	B-139777-0001
18	4950-001	Pivot Pin	C-088508-0001
19		Track	

Items #3, #7, & #14 are included in our Parts # 4982-000 or 4983-000 Socket Body Assemblies.

UNIT & HALF-DECK: TOOLS & ACCESSORIES



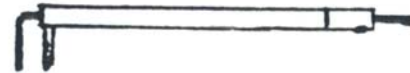
9001
9002



9007



9008



9009



9010
9052



9011



9033



9034



9037



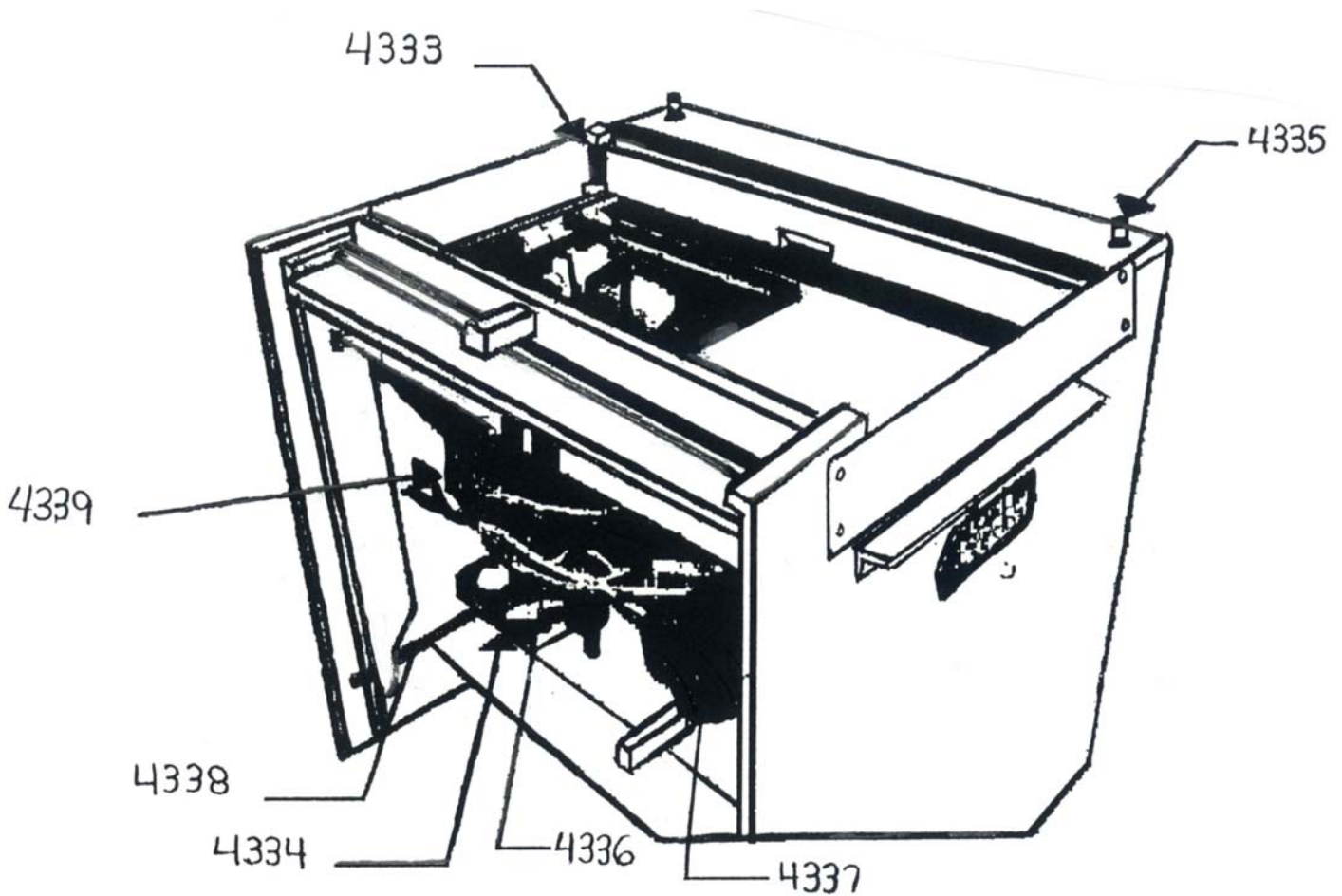
9051

TOOLS

STOCK NO.	DESCRIPTION	GOSS PART NO.
9001 *	Blanket to Blanket Gage	B-118676-0004
9002 *	Blanket to Common Gage	B-118676-0001
9007	Unit Shifter Wrench	C-069288-0001
9008	Bearer Setting Tool	
9009	Ink Pac Zero Setting Tool	
9010 +	Blanket to Plate Gap Gage	C-096514-0001
9011	Plate Lock-up Wrench (Plain)	
9033	Plate Lock-up Wrench (w/Hook)	
9034	Torque Wrench	
9037	Sqweege (For Ink Rail)	
9051	ASO Rubber Roller Lifter	
9052 ^	Blanket to Plate Gap Gage	

* GO - NO - GO
 + 14-1/2" PRESS
 ^ 13-11/16" PRESS

UNIT & HALF-DECK: TOOLS & ACCESSORIES



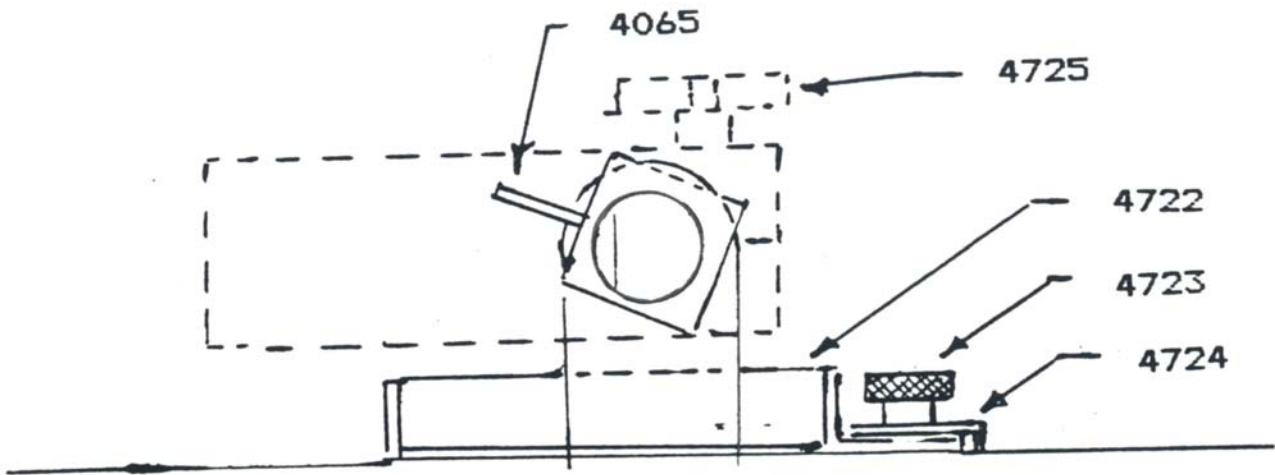
GREGG PLATE BENDER

STOCK NO.	DESCRIPTION	GOSS PART NO.
4333	Spring	
4334	Air Solenoid Manifold	
4335	Air Switch	
4336	Vacuum Pump	
4337	Air Cylinder	
4338	Spring	
4339	Cam Follower	

www.a-americanpressparts.com

Check our website for updates!

UNIT & HALF-DECK: WASH-UP DEVICES



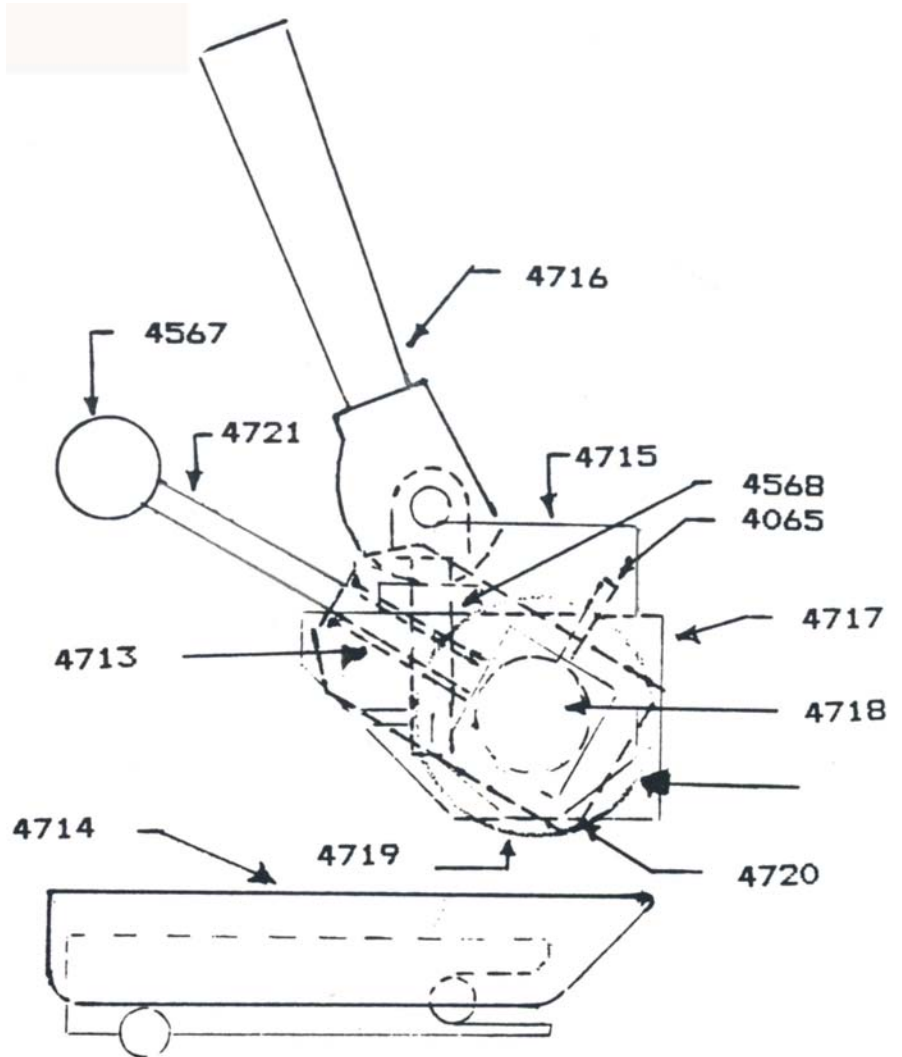
TOP OF UNDER SHOT FOUNTAIN

STOCK NO.	DESCRIPTION	GOSS PART NO.
4065	Scraper Blade	B-121232-0001
4722	Pan	C-068379-0001
4723	Fastener	760668-3109
4724	Holdown	B-120370-0001
4725	Knob	815000-0037

www.a-americanpressparts.com

Check our website for updates!

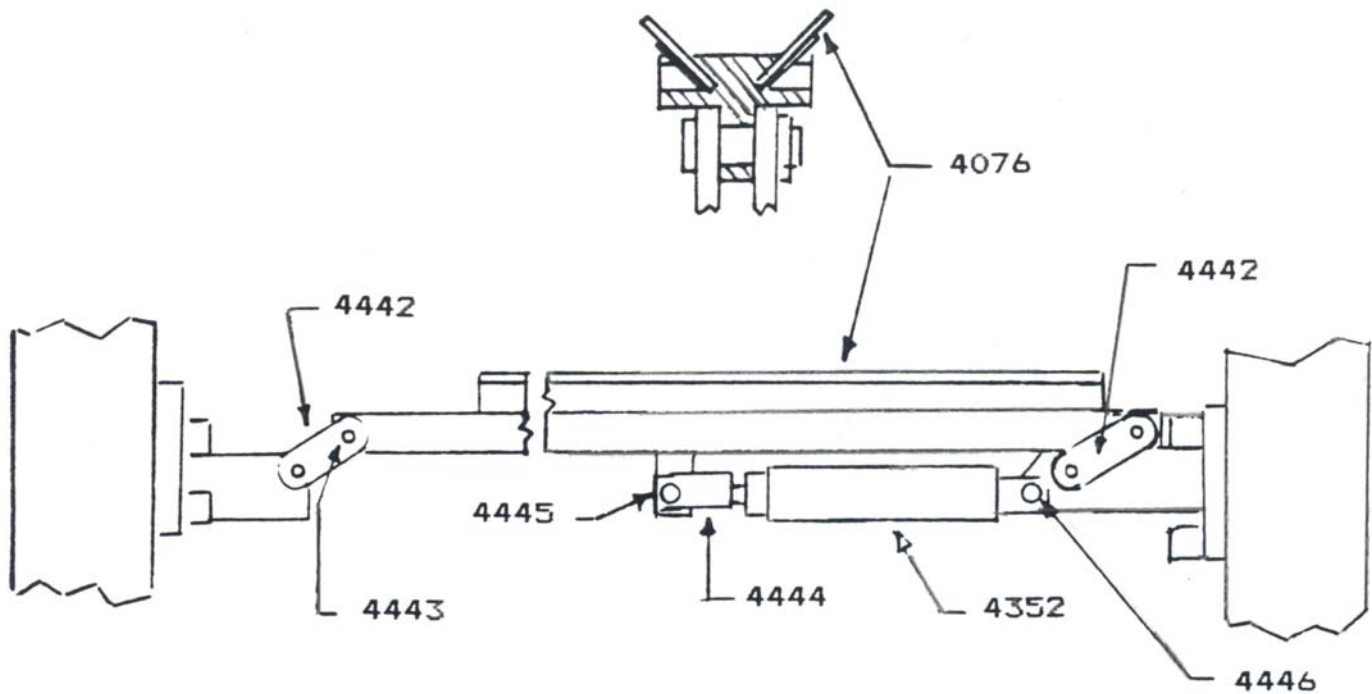
UNIT & HALF-DECK: WASH-UP DEVICES



MANUAL TYPE • METRO

STOCK NO.	DESCRIPTION	GOSS PART NO.
4065	Blades	B-121232-0001
4567	Handle	815000-0042
4568	Washer	930800-0504
4713	Spring	B-112079-0002
4714	Pan	C-085011-0001
4715	Bracket - Op Side	B-131467-0001
4716	Lock Handle	B-131663-0001
4717	Bracket	B-131308-0001
4718	Bar	C-080512-0001
4719	Index Plate	B-131468-0001
4720	Bracket	B-127904-0001
4721	Shaft	B-129190-0001

UNIT & HALF-DECK: WASH-UP DEVICES



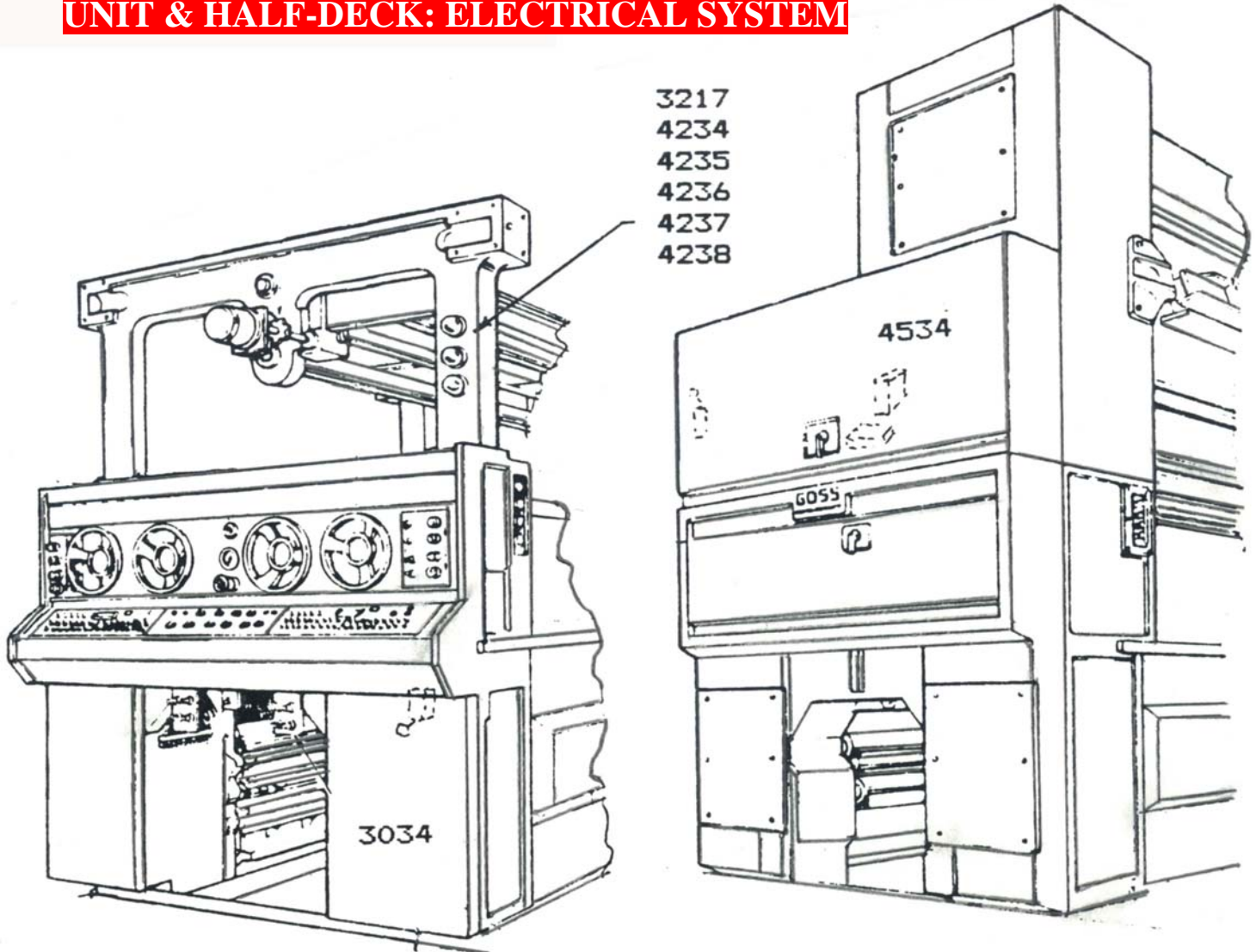
PNEUMATIC TYPE • METRO

STOCK NO.	DESCRIPTION	GOSS PART NO.
4076	Scraper Blade	B-121232-0002
4352	Air Cylinder	733908-0006
4442	Link	B-144771-0001
4443	Link Pin	B-144740-0001
4444	Clevis	B-145175-0001
4445	Clevis Pin	B-144689-0001
4446	Clevis Pin	B-144689-0002

www.a-americanpressparts.com

Check our website for updates!

UNIT & HALF-DECK: ELECTRICAL SYSTEM



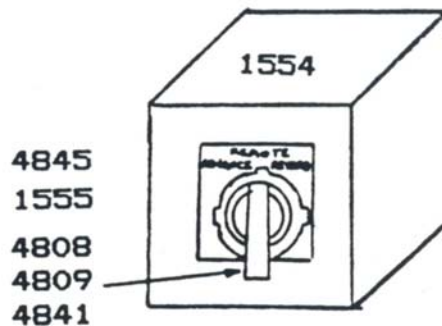
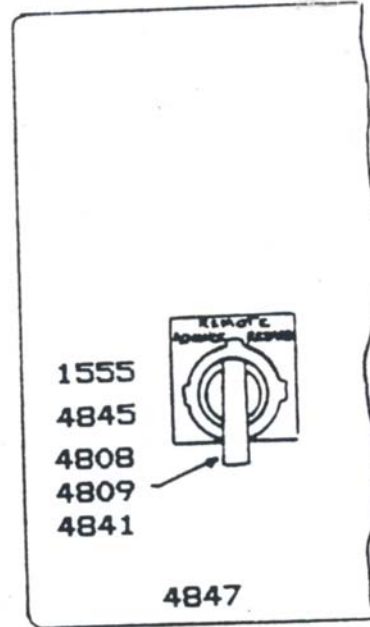
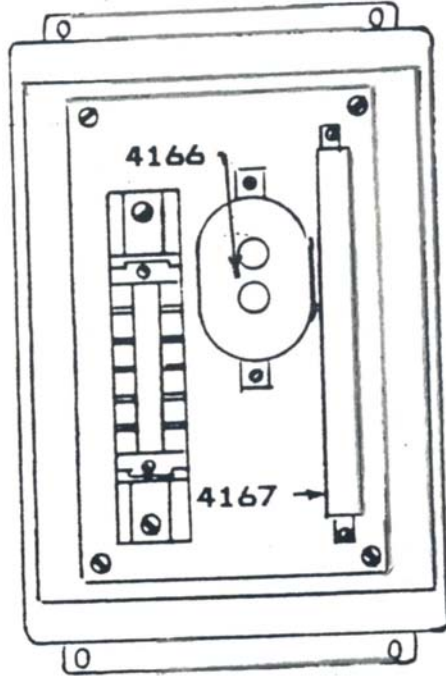
ELECTRICAL SAFETY SYSTEM • METRO

STOCK NO.	DESCRIPTION	GOSS PART NO.
3034	Limit Switch - Impression Air Cylinder	899751-8231
3217	Indicating Lamp Base	C-075224-0007
3218	Signal Light Lens (Amber)	C-075224-0009
4234	Signal Light Lens (Red)	C-075224-0003
4235	Signal Light Lens (Green)	C-075224-0004
4236	Signal Light Lens (Clear)	C-075224-0005
4237	Signal Light Lens (White)	C-075224-0006
4238	Signal Light Lens (Blue)	C-075224-0002
4534	Proximity Switch	899700-8075

www.a-americanpressparts.com

Check our website for updates!

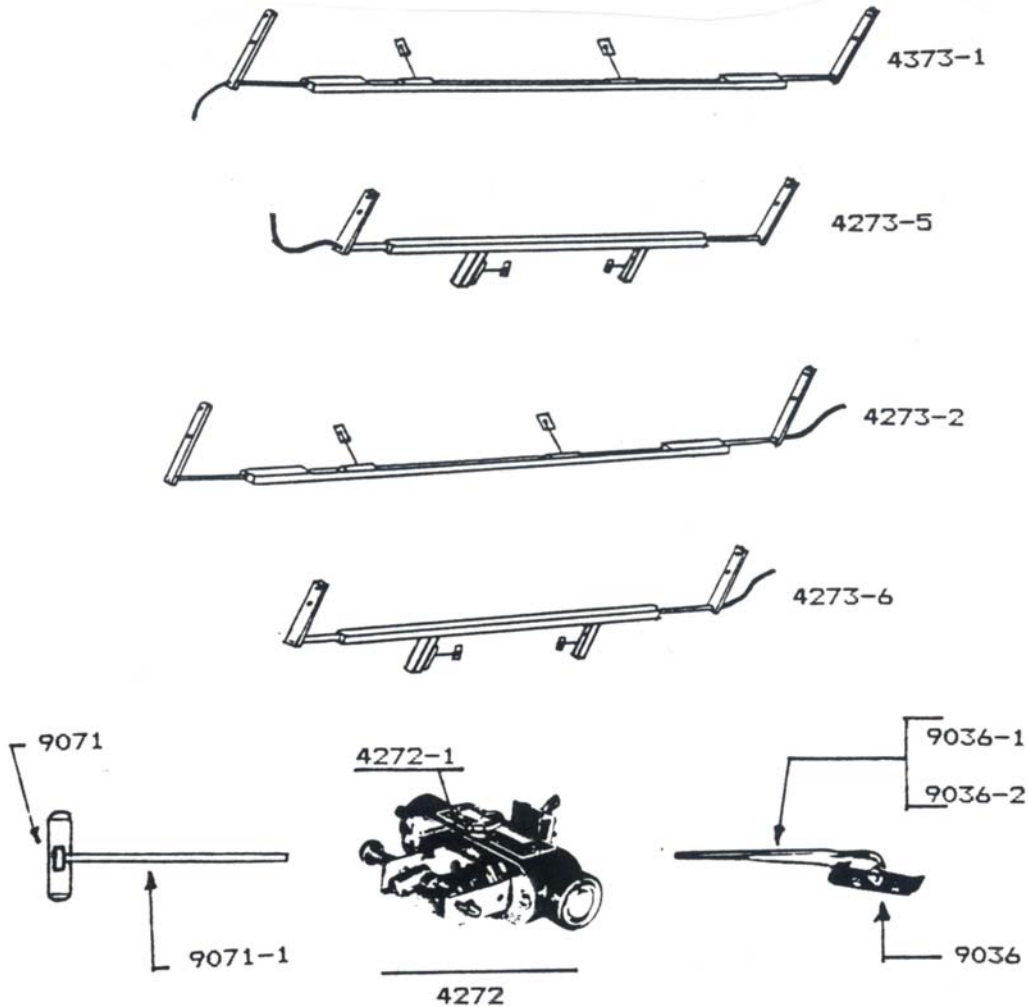
UNIT & HALF-DECK: ELECTRICAL SYSTEM



REMOTE COMPENSATOR CONTROL BOX • 1 WAY

STOCK NO.	DESCRIPTION	GOSS PART NO.
1554	Remote Control Box	
1555	Selector Switch	C-080225-0001
4166	Capacitor	731160-6125
4167	Resister	D-017812-0281
4808	Contact Block	C-080226-0005
4809	Contact Block	C-080226-0001
4841	Selector & Actuator	
4845	Actuator	
4847	Remote Comp. Control Box (1 way)	D-032869-0001

UNIT & HALF-DECK: ELECTRICAL SYSTEM



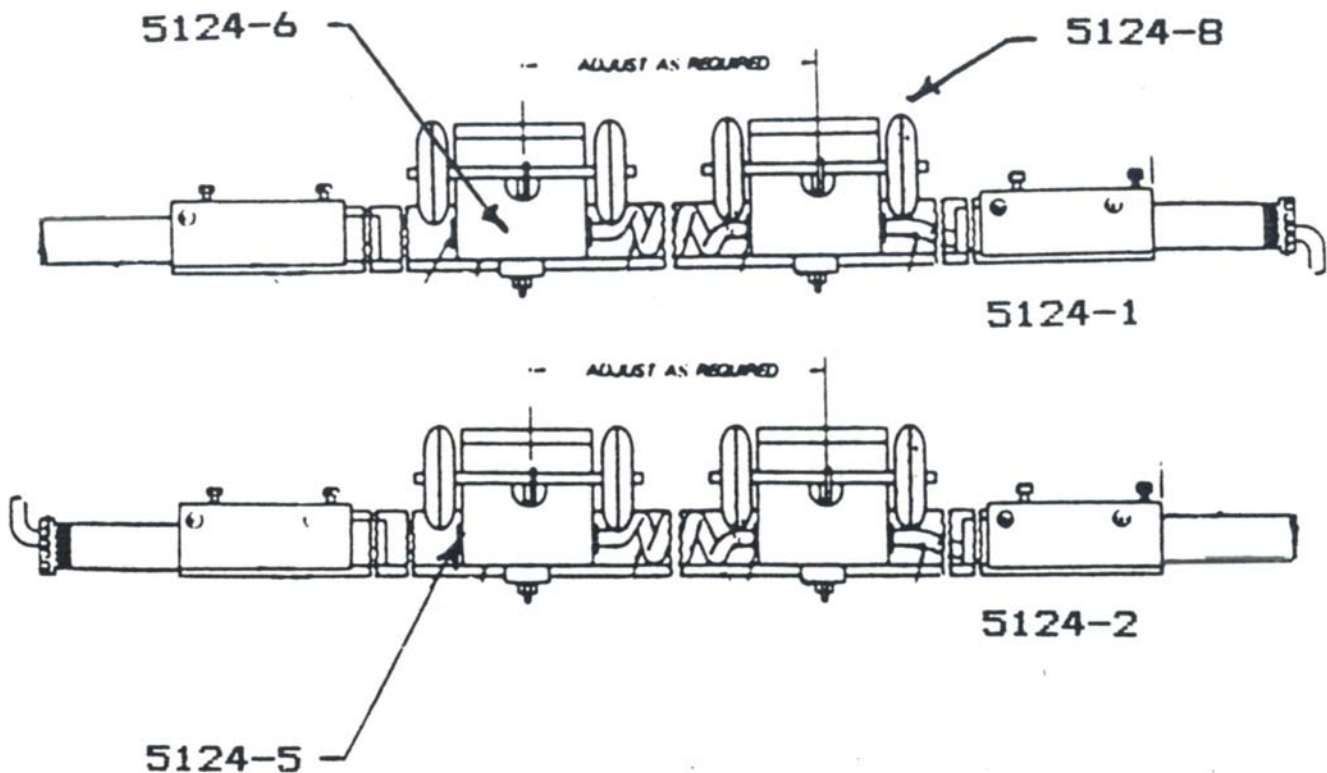
WEB BREAK DETECTORS

STOCK NO.	DESCRIPTION	GOSS PART NO.
4272	Single Detector	
4272-1	Detector Micro-Switch	
4273-1	Detector Assy - Vert. Paddle w/ Bar (LH)	
4273-2	Detector Assy - Vert. Paddle w/ Bar (RH)	
4273-5	Detector Assy - Horz. Paddle w/ Bar (LH)	
4273-6	Detector Assy - Horz. Paddle w/ Bar (RH)	
9036	Paddle (1" wide)	
9036-1	Arm (7" long)	
9036-2	Arm (6" long)	
9071	Paddle (1/2" wide)	
9071-1	Arm (9" long)	
4272-003	Spring	

www.a-americanpressparts.com

Check our website for updates!

UNIT & HALF-DECK: ELECTRICAL SYSTEM



TROLLEY ASSEMBLY

STOCK NO.	DESCRIPTION	GOSS PART NO.
4858	Trolley Relay Box Assembly	
5124-1	Trolley Assembly w/ Bar (RH)	
5124-2	Trolley Assembly w/ Bar (LH)	
5124-5	Single Trolley	
5124-6	Trolley Coil	
5124-7	Trolley Relay	
5124-8	Rubber Wheel	

www.a-americanpressparts.com

Check our website for updates!



1-888-434-0888
TOLL FREE

UNIT & HALF-DECK: NOTES



1-888-434-0888
TOLL FREE

GOSS METRO-LINER UNIT

Table of Contents

Title:	Page
AIR SYSTEM	
Main Air Line & Unit Air Line	<u>3</u>
Pneumatic Switches & Indicators	<u>4</u>
Pneumatic Safety System	<u>5</u>
10 & 13 Side Legs - Operator Side	<u>6</u>
Anti-Setoff Pneumatic System	<u>7</u>
Cannister Air Hose Assembly	<u>8</u>
Cannister Air Hose Fittings	<u>8</u>
Poly-Flow Fittings	<u>9</u>
Legris Fittings	<u>10</u>
Hi-Duty Fittings	<u>11</u>
CYLINDERS	
Blanket Cylinder Assembly • Silencing & Non-Silencing	<u>13</u>
Blanket Cylinder Lock-up	<u>14</u>
Blanket Cylinder Linkage • Black & Process	<u>15</u>
Common Impression Cylinder	<u>16</u>
Common Lift Cylinder Assembly	<u>17</u>
Plate Cylinder Assy. • W/ & W/Out Circum & Sidelay	<u>18</u>
Plate Cylinder Lockup Assembly	<u>19</u>
Manual Circumferential & Sidelay	<u>20</u>
Water Drum Vibrator	<u>21</u>
Vibrated Drum	<u>22</u>
DAMPENER SYSTEMS	
Spiral Brush Water System	<u>23</u>
Baldwin Auto Mix & Circulator	<u>24</u>
Spiral Brush Assembly • Unit	<u>25</u>
Water Stop Assembly	<u>26</u>
DRIVE SYSTEM	
Vertical Drive • Reverse & Non-Reverse	<u>27</u>
Vertical & Horizontal Drive • 13 Side Deck	<u>28</u>
Vertical & Horizontal Drive • 10	<u>29</u>
Vertical Drive Shaft Shifter	<u>30</u>
Main Drive Clutch	<u>31</u>
Main Drive Motors • General Electric	<u>32</u>
GUARDS	
Plate Cylinder Guard Assembly	<u>33</u>

www.a-americanpressparts.com

Check our website for updates!



1-888-434-0888
TOLL FREE

INK SYSTEM

Main Ink Line Filters & Pneumatic System	35
Main Ink Line Piping	36
Main Ink Line & Cannister Ink Line Fittings	37
Pac To Rail Ink Hose Fittings	38
Pac & Ink Rail Hose Fittings	39
Ink Cannister • Old Style	40
Ink Cannister Assembly • New Style	41
Cannister To Pac Ink Hose Assembly	42
Ink Pac Drive Assembly	43
Ink Injector Drive • Half Deck	44
Ink Pac Drive Box • New Style	45
Pneumatic Ink Rail Assembly	46
Double Stroke Ink Injector Page Pac Assembly	48
Double Stroke Ink Injector Page Pac Assembly	49
Single Stroke Ink Injector Page Pac Assembly	50
Single Stroke Ink Injector Page Pac Assembly	51

INFEED SYSTEM

Infeed Linkage	53
Infeed Drive Assembly	54

LUBRICATION SYSTEM

Main Drive Box with Gear Driven Pump • Metro	55
Grease Hose Assembly & Fittings	56
Hi-Duty Fittings	57

SOCKETS

Ink Transfer & Ink Train Dampener	59
Ink Form Roller	60
Solid Shaft Roller	61

TOOLS & ACCESSORIES

Metro-Liner Tools	63
Gregg Plate Bender	64

WASH-UP DEVICES

Pneumatic Washup Device • Metro-Liner I	65
Pneumatic Washup Device • Metro-Liner II	66

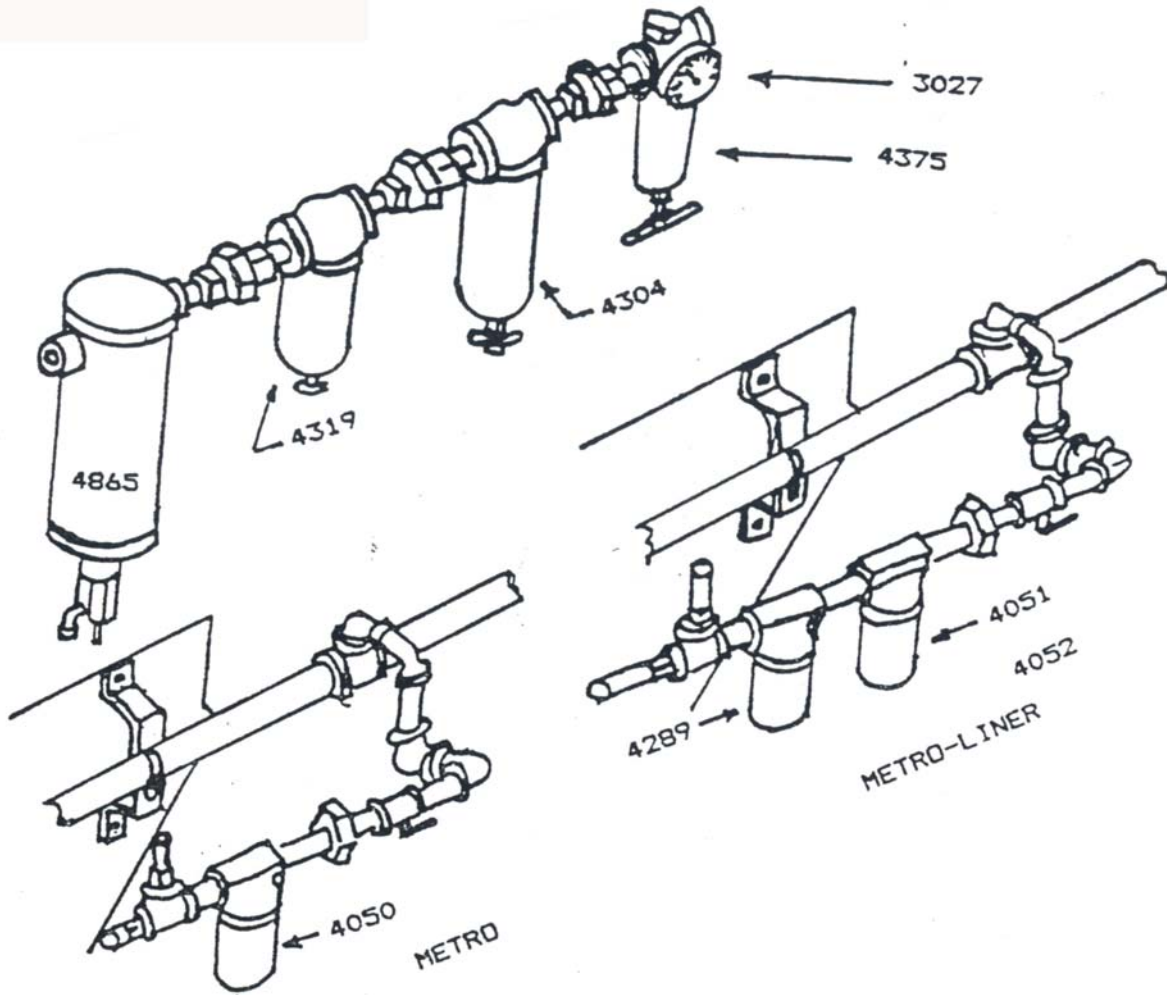
ELECTRICAL SYSTEM

Trolley Assembly	67
Web Break Detectors	68
Electrical Safety System	69
Remote Compensator Control Box • 1 Way	70

www.a-americanpressparts.com

Check our website for updates!

UNIT & HALF-DECK: AIR SYSTEM

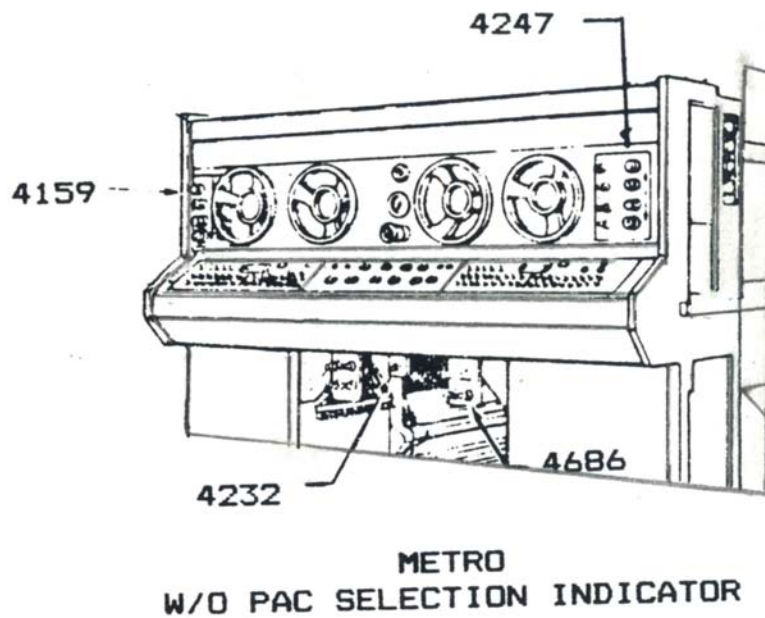
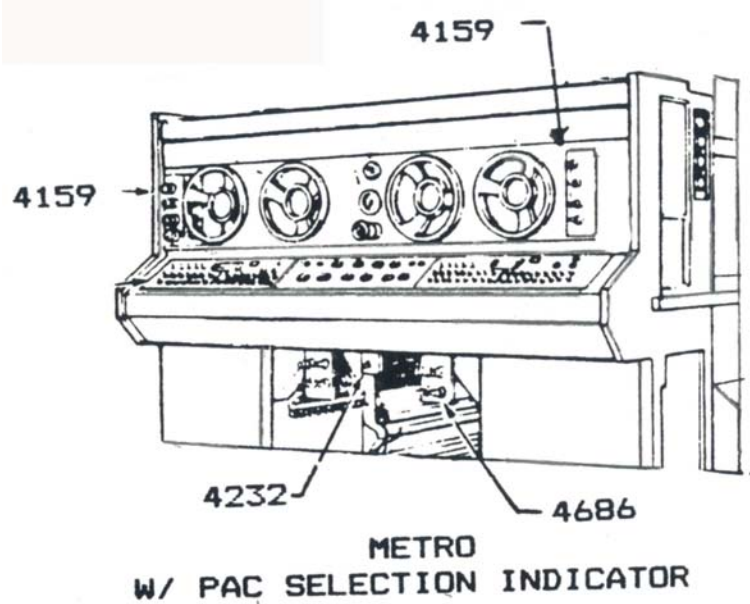


MAIN AIR LINE & UNIT AIR LINE

STOCK NO.	DESCRIPTION	GOSS PART NO.
3027	Air Gage (0-160 lbs.)	771500-0053
4050	Air Lubricator	827900-0036
4051	Air Filter	762901-0101
4052	Filter Element	
4289	Air Lubricator	827900-0036
4304	Air Filter	
4319 *	Coalescing Air Filter	E-005337-0010
4375	Air Regulator	
7865	Air Regulator	

* LATE MODEL PRESSES ONLY

UNIT & HALF-DECK: AIR SYSTEM



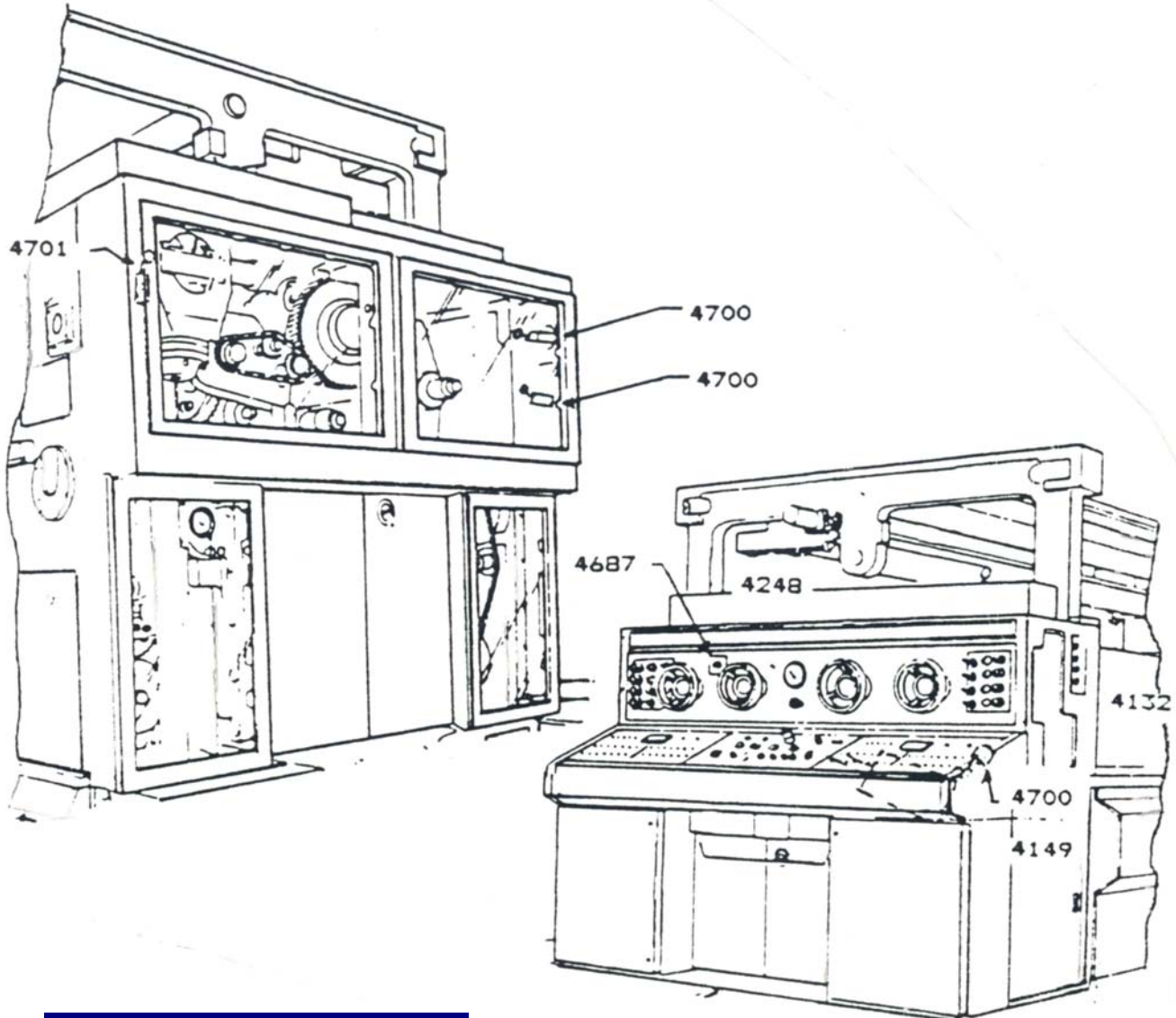
PNEUMATIC SWITCHES & INDICATORS

STOCK NO.	DESCRIPTION	GOSS PART NO.
4159	Pac Selection Air Switch	920512-0006
4232	Wash-Up Air Switch	920512-0008
4686	ITD Flicker Blade Switch	
4687	Finger Guard Indicator	792000-0202

www.a-americanpressparts.com

Check our website for updates!

UNIT & HALF-DECK: AIR SYSTEM

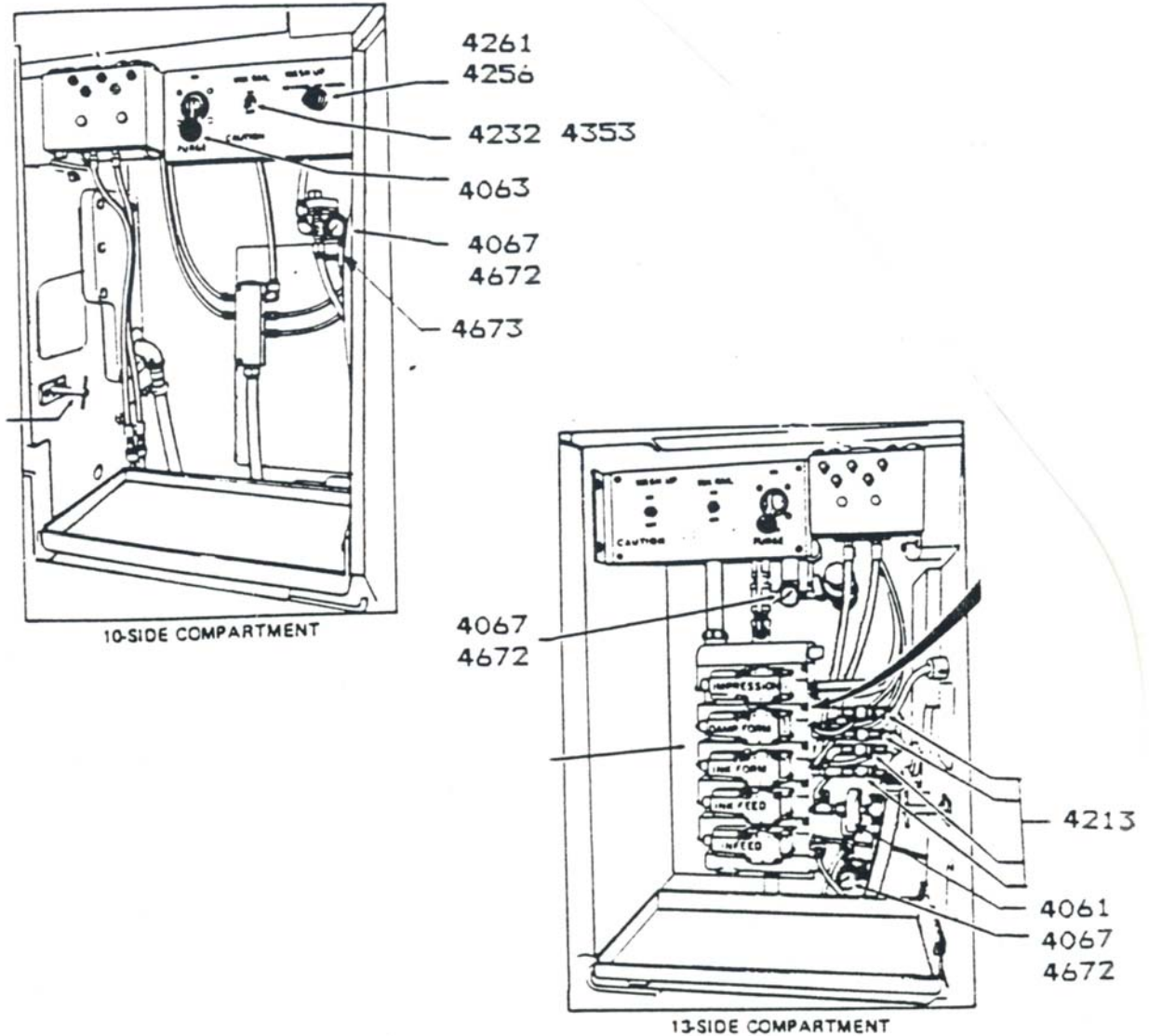


PNEUMATIC SAFETY SYSTEM

STOCK NO.	DESCRIPTION	GOSS PART NO.
4132 *	Air Control Valve	920512-0003
4149	Shuttle Valve	920500-0078
4248	Pressure Switch	899765-0060
4687	Finger Guard Indicator	792000-0202
4700 +	Air Copntrol Valve	920512-0077
4701	Vertical Drive Control Valve	920512-0062

* Mounted Under Finger Guard
 + For 11 & 48 Gear Shifter – Impression Air Cylinder

UNIT & HALF-DECK: AIR SYSTEM



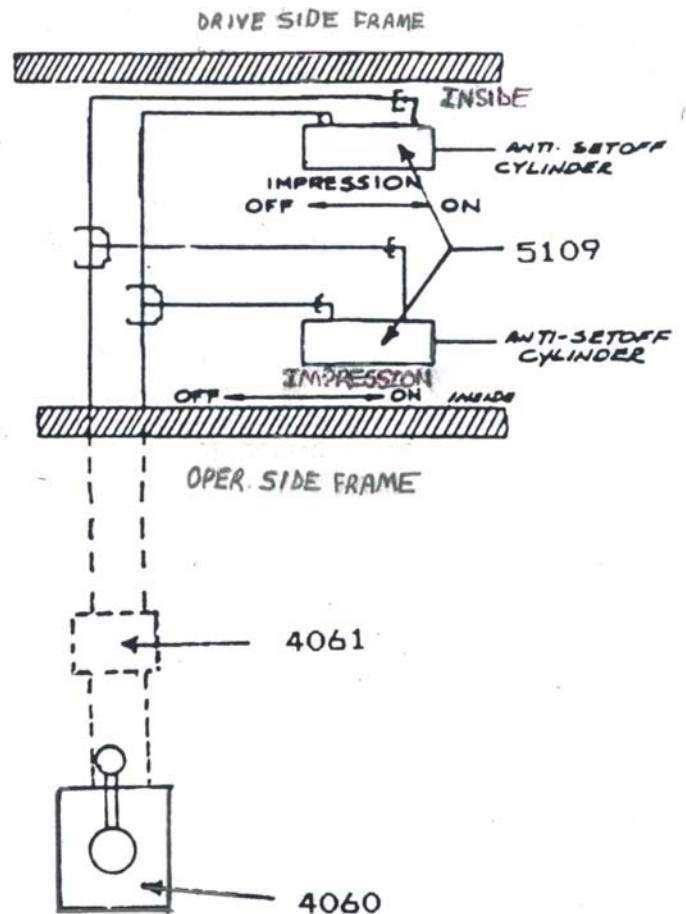
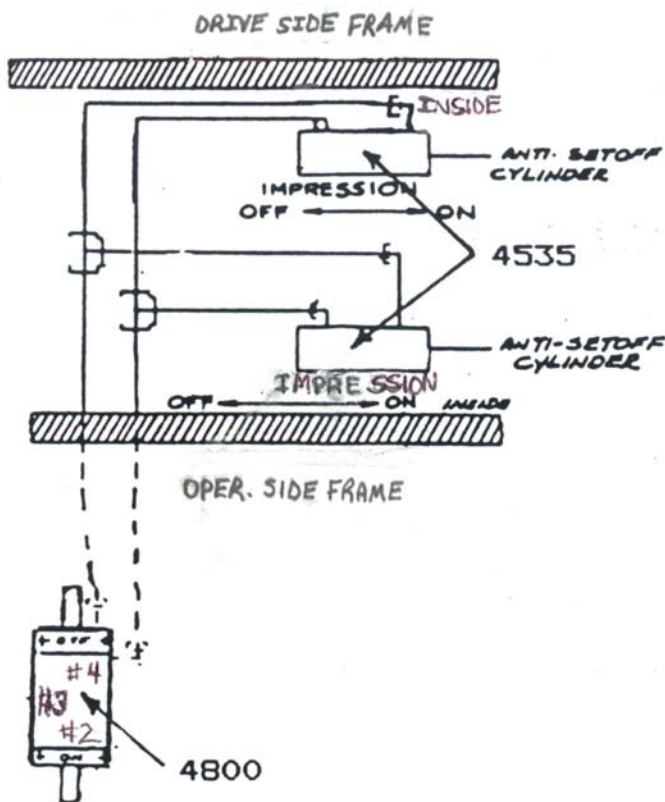
10 & 13 SIDE LEGS - OPERATOR SIDE

STOCK NO.	DESCRIPTION	GOSS PART NO.
4061	Shuttle Valve	920502-0060
4063	Air Switch - Purge Motor	920500-0053
4067	Regulator	822700-2033
4213	Shut-off Valve	920512-0021
4232	Ink Rail Air Switch	920512-0008
4256	Air Switch	920512-0051
4261	Air Switch Controller	771500-0007
4353	Muffler & Speed Control	837500-0027
4672	Air Guage	771529-0311
4673	Flow Control Valve	920555-0621

www.a-americanpressparts.com

Check our website for updates!

UNIT & HALF-DECK: AIR SYSTEM



ANTI-SETOFF PNEUMATIC SYSTEM

STOCK NO.	DESCRIPTION	GOSS PART NO.
4060	Air Switch (Old Style)	920512-0055
4061	Air Shuttle (Old Style)	920502-0060
4535	Air Cylinder (Hi-Lo Cylinder)	116658-0011
4800	Air Switch (New Style)	920502-0074
5109	Air Cylinder (Stationary Cylinder)	116658-0012

www.a-americanpressparts.com

Check our website for updates!

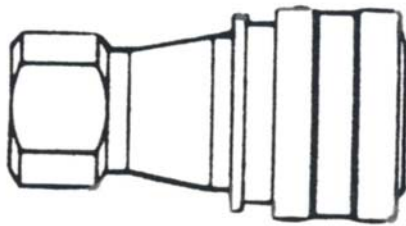
UNIT & HALF-DECK: AIR SYSTEM



CANNISTER AIR HOSE ASSEMBLY

STOCK NO.	DESCRIPTION	GOSS PART NO.
4055	Cannister Air Hose Assy. - 24" lg.	
4056	Cannister Air Hose Assy. - 36" lg.	
4057	Cannister Air Hose Assy. - 48" lg.	
4058	Cannister Air Hose Assy. - 60" lg.	

**** AIR HOSES CAN BE MADE TO CUSTOMER'S SPECIFICATIONS ****



4053











4054

CANNISTER AIR HOSE FITTINGS

STOCK NO.	DESCRIPTION	GOSS PART NO.
4053	Valved Coupling	
4054	Air Feed Valved Nipple	










UNIT & HALF-DECK: AIR SYSTEM

POLY-FLOW FITTINGS

STOCK NO.	DESCRIPTION	GOSS PART NO.
9900	Nut (3/16")	
9901	Nut (1/4")	
9902	Nut (5/16")	
9903	Nut (3/8")	
9904	Nut (1/2")	
9905	Sleeve (3/16")	
9906	Sleeve (1/4")	
9907	Sleeve (5/16")	
9908	Sleeve (3/8")	
9909	Sleeve (1/2")	
9910	Tube Connector (3/16")	
9911	Tube Connector (1/4")	
9912	Tube Connector (5/16")	
9913	Tube Connector (3/8")	
9914	Tube Connector (1/2")	
9915	Male Connector (3/16" x 1/8" MPT)	
9916	Male Connector (1/4" x 1/8" MPT)	
9917	Male Connector (1/4" x 1/4" MPT)	
9918	Male Connector (5/16" x 1/8" MPT)	
9919	Male Connector (3/8" x 1/8" MPT)	
9920	Male Connector (3/8" x 1/4" MPT)	
9921	Male Connector (1/2" x 3/8" MPT)	
9922	Male Elbow (3/16" x 1/8" MPT)	
9923	Male Elbow (1/4" x 1/8" MPT)	
9924	Male Elbow (5/16" x 1/8" MPT)	
9925	Male Elbow (3/8" x 1/8" MPT)	
9926	Male Elbow (3/8" x 1/4" MPT)	
9927	Male Elbow (1/2" x 3/8" MPT)	
9928	Tube Connector Tee (3/16")	
9929	Tube Connector Tee (1/4")	
9930	Tube Connector Tee (5/16")	
9931	Tube Connector Tee (3/8")	
9932	Tube Connector Tee (1/2")	
9933	Male Branch Tee (3/16" x 1/8" MPT)	
9934	Male Branch Tee (1/4" x 1/8" MPT)	
9935	Male Branch Tee (5/16" x 1/8" MPT)	
9936	Male Branch Tee (3/8" x 1/8" MPT)	
9937	Male Branch Tee (3/8" x 1/8" MPT)	
9940	Quick Disconnect (5/16" Tube x 1/8" MPT)	

UNIT & HALF-DECK: AIR SYSTEM

LEGRIS FITTINGS

STOCK NO.	DESCRIPTION	GOSS PART NO.
9700	Union (1/4" Tube) 	
9701	Union Tee (1/4" Tube) 	
9702	Union Elbow (1/4" Tube) 	
9703	Double Male Union (1/4" Tube) 	
9704	Male Connector (1/4" Tube x 1/8" MPT)	
9705	Male Connector (1/4" Tube x 1/4" MPT)	
9706	Bulkhead Union (1/4" Tube) 	
9707	Male Elbow (1/4" Tube x 1/8" MPT)	
9708	Male Elbow (1/4" Tube x 1/4" MPT)	
9709	Male Run Tee (1/4" Tube x 1/8" MPT)	
9710	Male Run Tee (1/4" Tube x 1/4" MPT)	
9711	Male Branch Tee (1/4" Tube x 1/8" MPT)	
9712	Male Branch Tee (1/4" Tube x 1/4" MPT)	

**** ALL SIZES AVAILABLE ****

UNIT & HALF-DECK: AIR SYSTEM

HI-DUTY FITTINGS

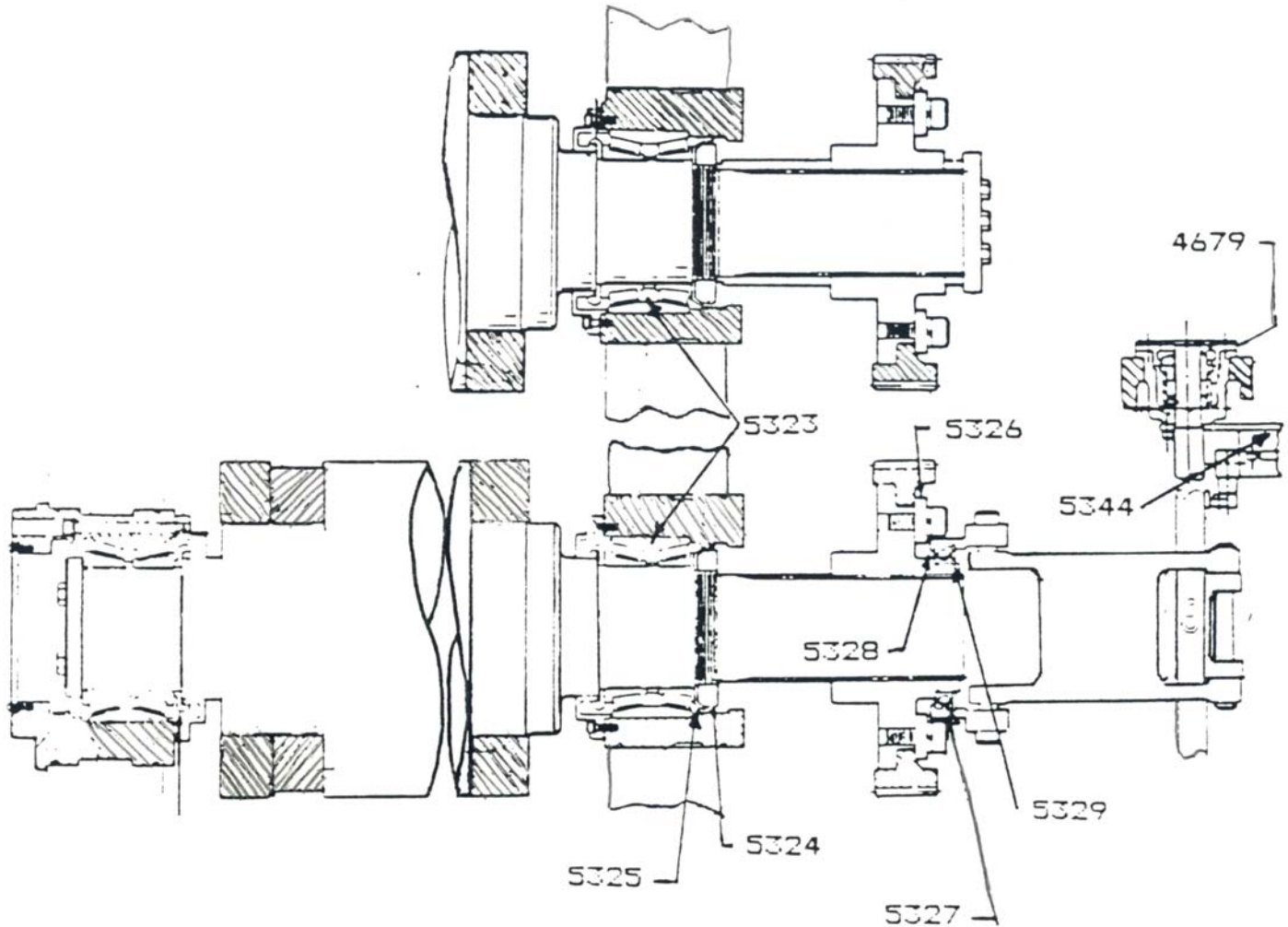
STOCK NO.	DESCRIPTION	GOSS PART NO.
9800	Nut (3/16" Tube)	
9801	Nut (1/4" Tube)	
9802	Nut (5/16" Tube)	
9803	Nut (3/8" Tube)	
9804	Nut (1/2" Tube)	
9805	Nut (5/8" Tube)	
9806	Nut (3/4" Tube)	
9807	Union (3/16" Tube)	
9808	Union (1/4" Tube)	
9809	Union (5/16" Tube)	
9810	Union (3/8" Tube)	
9811	Union (1/2" Tube)	
9812	Union (5/8" Tube)	
9813	Union (3/4" Tube)	
9814	Male Connector (3/16" Tube x 1/8" MPT)	
9815	Male Connector (1/4" Tube x 1/8" MPT)	
9816	Male Connector (5/16" Tube x 1/8" MPT)	
9817	Male Connector (3/8" Tube x 1/8" MPT)	
9818	Male Connector (3/8" Tube x 1/4" MPT)	
9819	Male Connector (1/2" Tube x 1/2" MPT)	
9820	Male Connector (5/8" Tube x 1/2" MPT)	
9821	Male Connector (3/4" Tube x 1/2" MPT)	
9822	Male Elbow (3/16" Tube x 1/8" MPT)	
9823	Male Elbow (1/4" Tube x 1/8" MPT)	
9824	Male Elbow (5/16" Tube x 1/8" MPT)	
9825	Male Elbow (3/8" Tube x 1/8" MPT)	
9826	Male Elbow (3/8" Tube x 1/4" MPT)	
9827	Male Elbow (3/8" Tube x 3/8" MPT)	
9828	Male Elbow (1/2" Tube x 1/4" MPT)	
9829	Male Elbow (1/2" Tube x 3/8" MPT)	
9830	Union Tee (3/16" Tube)	
9831	Union Tee (1/4" Tube)	
9832	Union Tee (5/16" Tube)	
9833	Union Tee (3/8" Tube)	
9834	Union Tee (1/2" Tube)	
9835	Union Tee (5/8" Tube)	
9836	Union Tee (3/4" Tube)	
9837	Male Branch Tee (3/16" Tube x 1/8" MPT)	
9838	Male Branch Tee (1/4" Tube x 1/8" MPT)	
9839	Male Branch Tee (5/16" Tube x 1/8" MPT)	
9840	Male Branch Tee (3/8" Tube x 1/8" MPT)	
9841	Male Branch Tee (3/8" Tube x 1/4" MPT)	



1-888-434-0888
TOLL FREE

UNIT & HALF-DECK: NOTES

UNIT & HALF-DECK: CYLINDERS



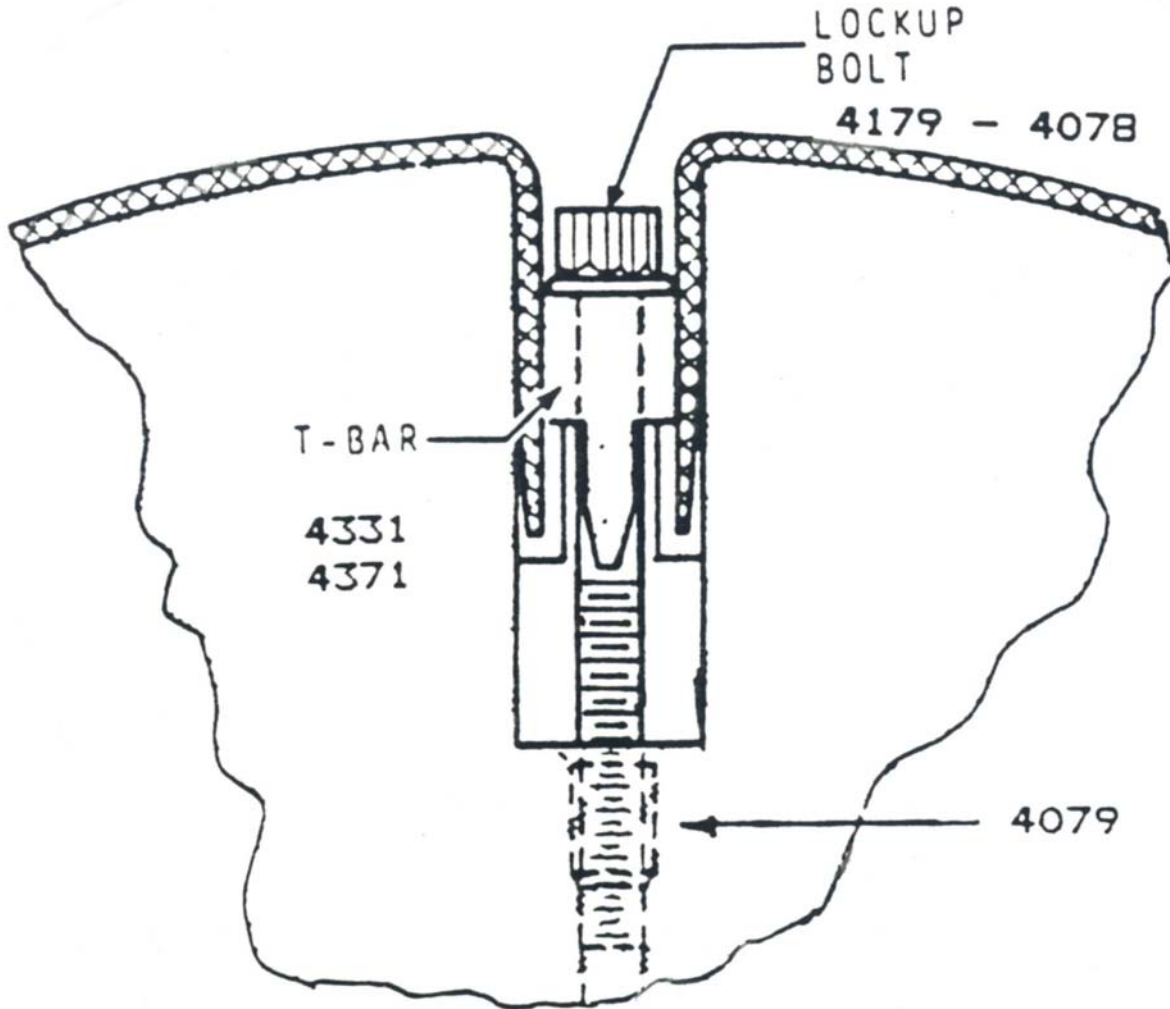
BANKET CYLINDER ASSEMBLY • SILENCING & NON-SILENCING

STOCK NO.	DESCRIPTION	GOSS PART NO.
4679	Plate	C-067847-0001
5323	Bearing	722673-1622
5324	Lock Nut	826305-0126
5325	Lock Washer	826672-0126
5326	Washer	AR-000477-0001
5327	Bearing	722605-0040
5328	Retainer	885470-0134
5329	Retainer	885470-0245
5344	Air Limit Switch	750512-0070

www.a-americanpressparts.com

Check our website for updates!

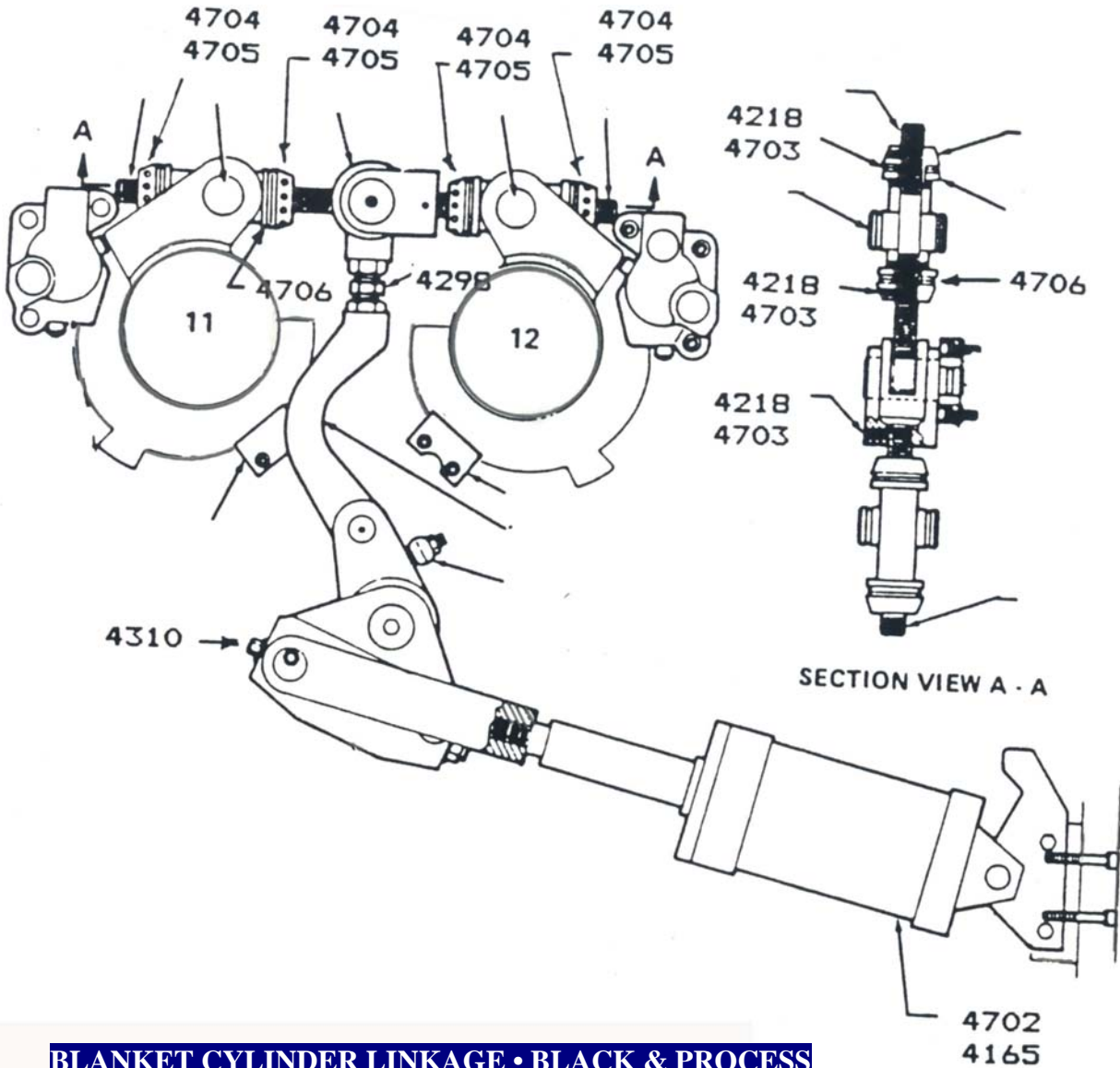
UNIT & HALF-DECK: CYLINDERS



BLANKET CYLINDER LOCK-UP

STOCK NO.	DESCRIPTION	GOSS PART NO.
4078	Blanket Bolt for #4371	
4079	Heli-Coil	794041-2010
4179	Blanket Hod-Down Screw	B-127100-0001
4331	T-Bar - Standard	C-088603-0001
4371	T-Bar - Narrow Gap	

UNIT & HALF-DECK: CYLINDERS



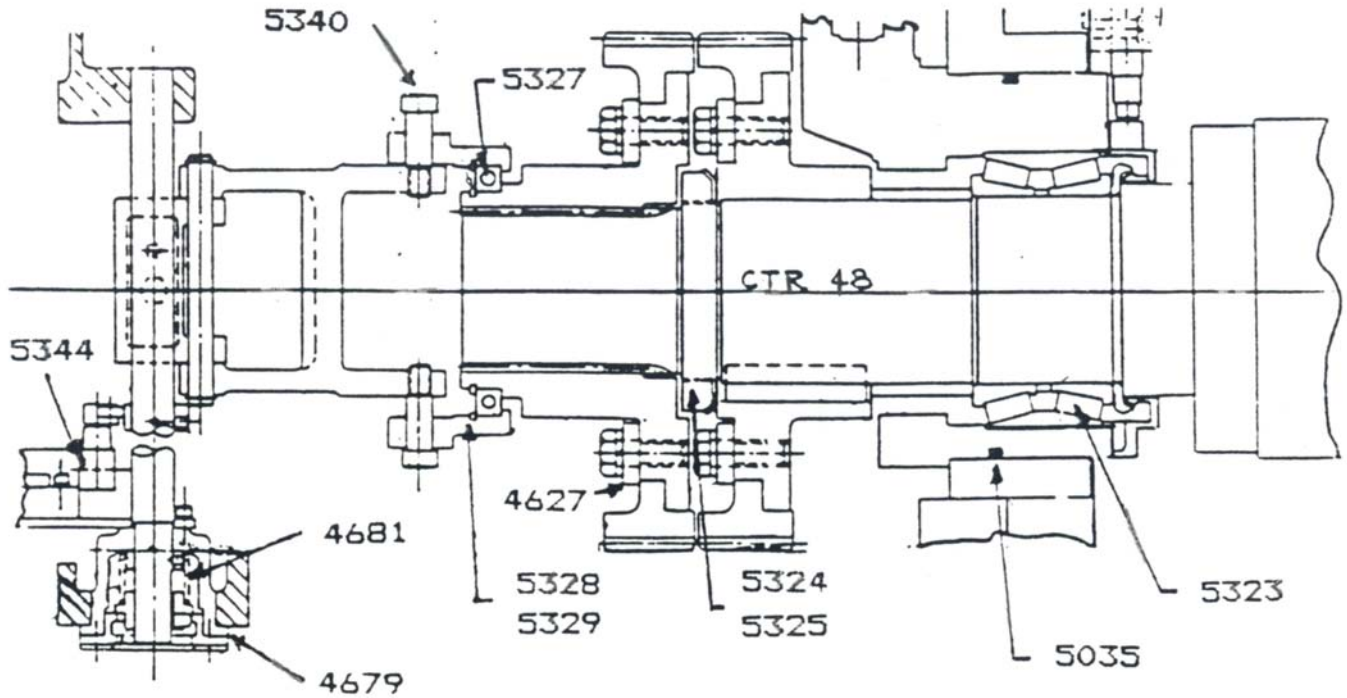
BLANKET CYLINDER LINKAGE • BLACK & PROCESS

STOCK NO.	DESCRIPTION	GOSS PART NO.
4165	Air Cylinder	739902-0016
4218	Set Screw	891214-1921
4298	Turnbuckle	B-128494-0001
4310	Change-over Screw	B-116290-0001
4702	Air Cylinder	739902-0016
4703	Nylon Plug	865500-0335
4704	Nut - 13-11/16" Press	B-145913-0001
4705	Nut -014-1/32 to 15" Press	B-139715-0001
4706	Spring Disc	897015-2700

www.a-americanpressparts.com

Check our website for updates!

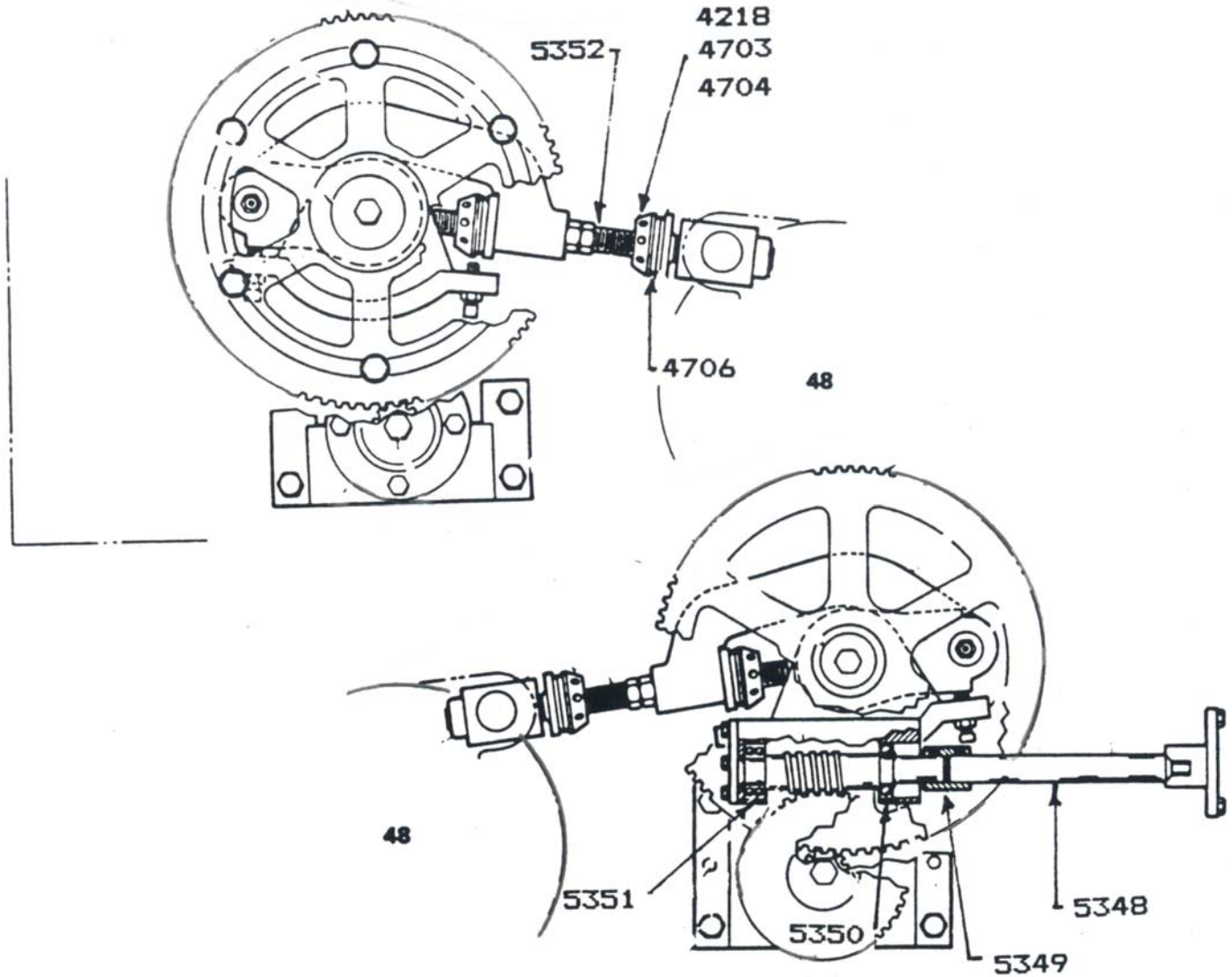
UNIT & HALF-DECK: CYLINDERS



COMMON IMPRESSION CYLINDERS

STOCK NO.	DESCRIPTION	GOSS PART NO.
4627	Washer	AR-001504-0001
4679	Plate	C-067847-0001
4681	Spring	B-116196-0001
5035	O-Ring	C-040162-0275
5323	Bearing	722673-1622
5324	Lock Nut	826305-0126
5325	Lock Washer	826672-0126
5327	Bearing	722605-0040
5328	Retainer	885470-0134
5329	Retainer	885470-0245
5340	Shoulder Screw	891232-7415
5344	Switch	720512-0077

UNIT & HALF-DECK: CYLINDERS



COMMON LIFT CYLINDER ASSEMBLY

STOCK NO.	DESCRIPTION	GOSS PART NO.
4218	Nylock Set Screw	891214-1921
4703	Nylock Plug	865500-0335
4704	Nut - 14-1/2" to 15" Press	B-139715-0001
4706	Spring Disc	897015-2700
5348	Shaft	C-088643-0001
5349	Coupling	B-139862-0001
5350	Bearing	C-040104-6206
5351	Bearing	722605-2789
5352	Throwoff Shaft	B-139712-0004

www.a-americanpressparts.com

Check our website for updates!

UNIT & HALF-DECK: CYLINDERS

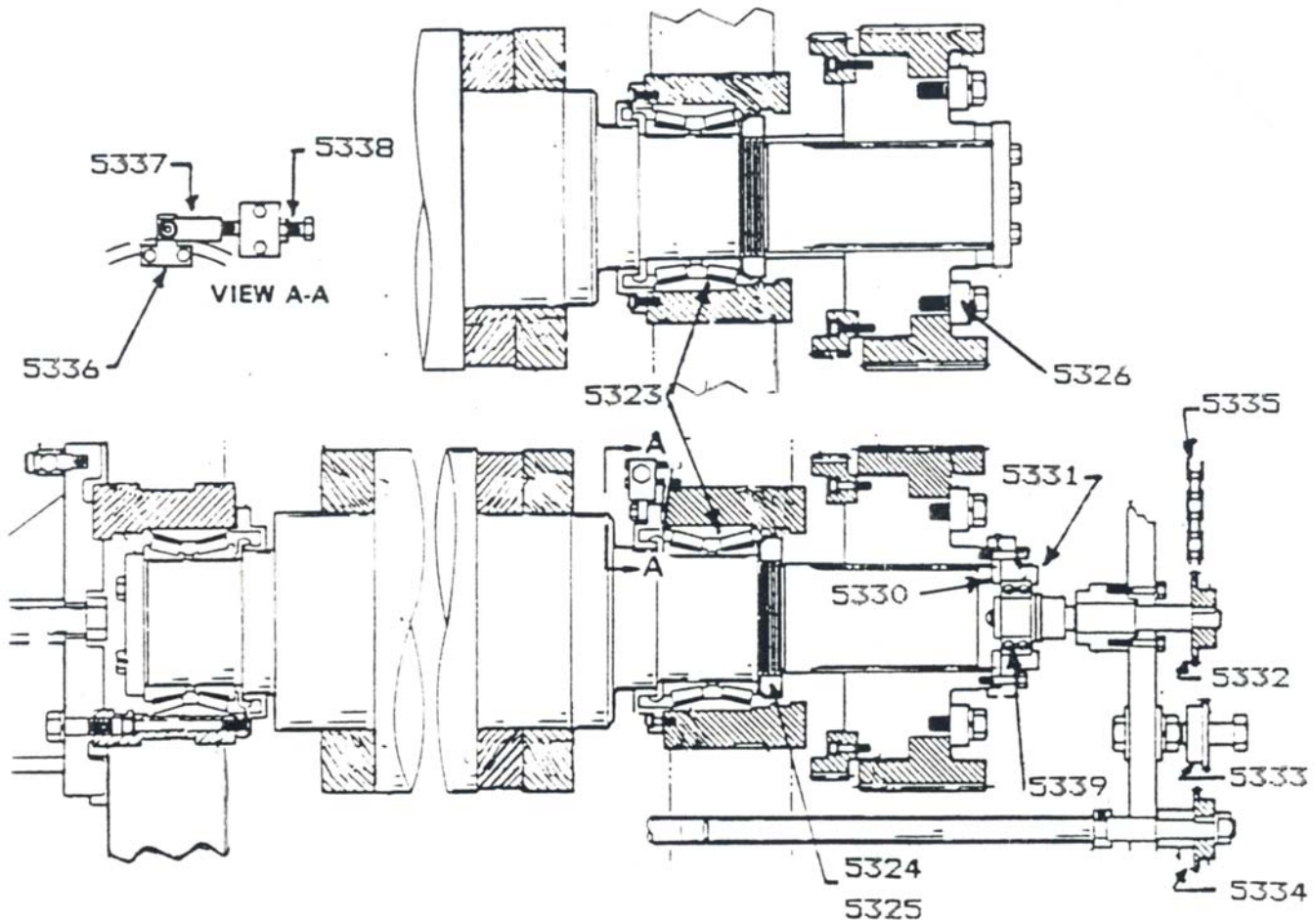


PLATE CYLINDER ASSY. • W/ & W/OUT CIRCUM & SIDELAY

STOCK NO.	DESCRIPTION	GOSS PART NO.
5323	Bearing	722673-1622
5324	Lock Nut	826305-0126
5325	Lock Washer	826672-0126
5326	Washer	AR-000477-0001
5330	Spacer	B-114123-0001
5331	Cap	B-118401-0000
5332	Sprocket	B-116054-0001
5333	Sprocket	B-116052-0001
5334	Sprocket	B-116051-0001
5335	Chain	732404-1055
5336	Link	C-096920-0001
5337	Clevis	C-096921-0001
5338	Adjusting Screw	B-146493-0001
5339	Bearing	C-040106-5208

www.a-americanpressparts.com

Check our website for updates!

UNIT & HALF-DECK: CYLINDERS

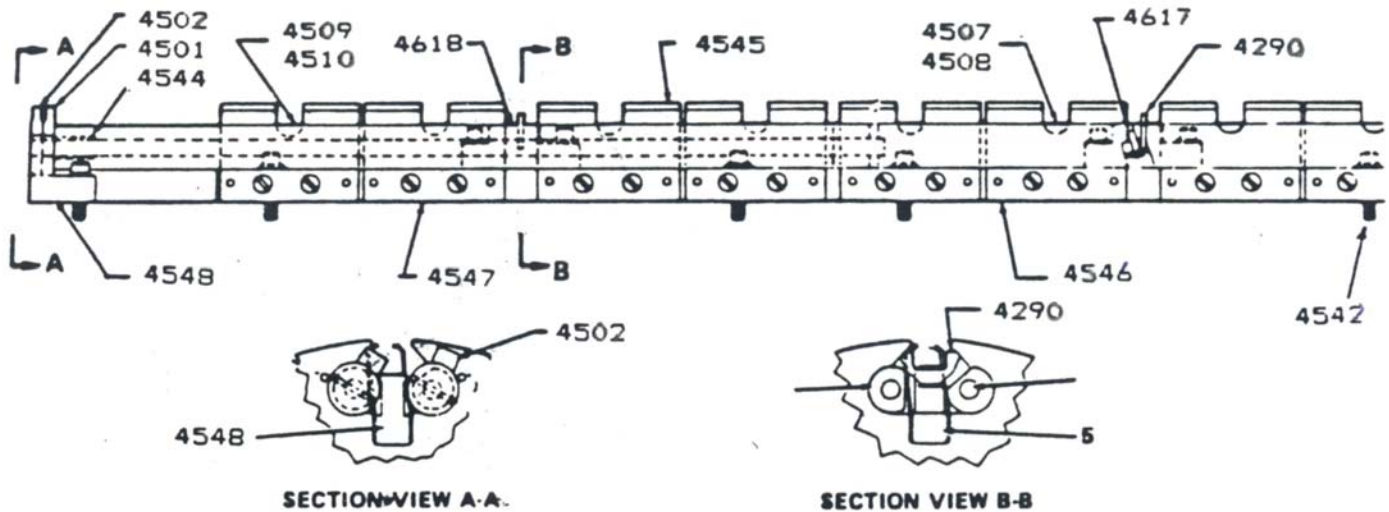


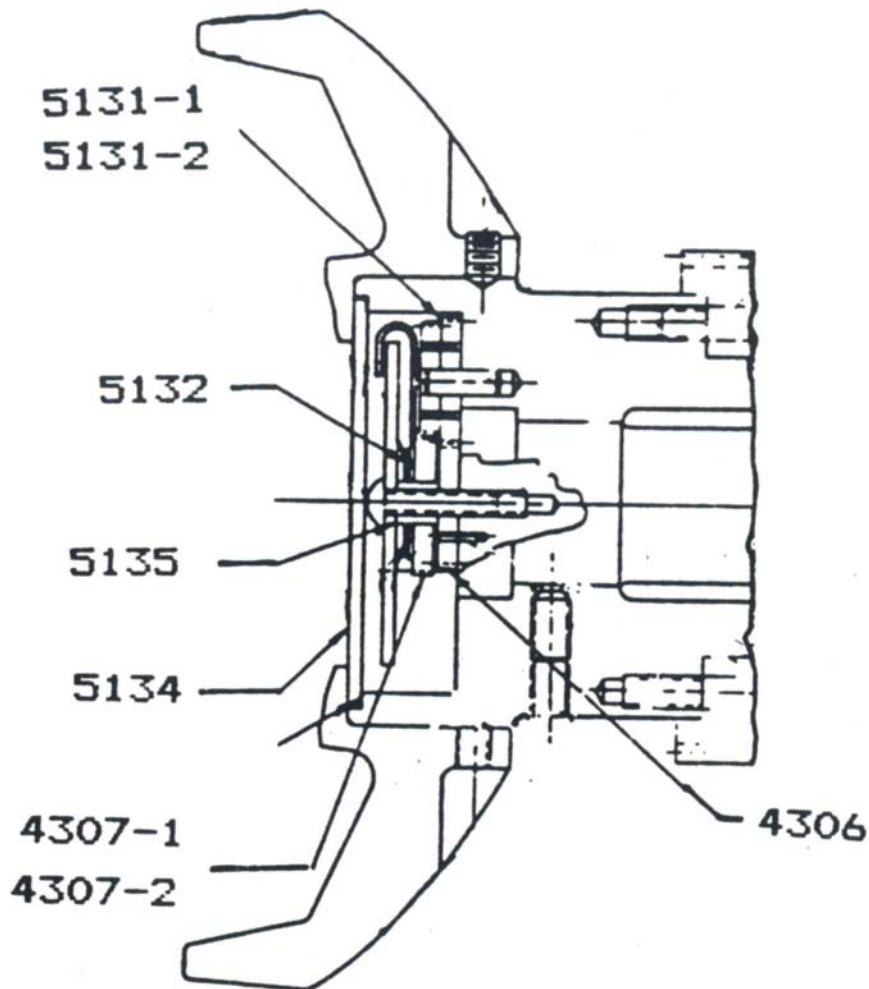
PLATE CYLINDER LOCK-UP ASSEMBLY

STOCK NO.	DESCRIPTION	GOSS PART NO.
4290	Register Pin	B-138569-0002
4501	Lug (Inner)	B-136135-0001
4502	Lug (Outer)	B-136134-0001
4507	Outer Shaft (58" - 60" Web)	B-134735-0011
4508	Outer Shaft (60" - 62" Web)	B-134735-0012
4509	Inner Shaft Assembly (58" - 60" Web)	B-134752-0001 & 11
4510	Inner Shaft Assembly (60" - 62" Web)	B-134752-0002 & 12
4542	Screw for Support Bar	891201-6491
4544	Bushing	729457-0029
4546	Lock-up Spring Holder	C-098347-0001
4547	Lock-up Spring Holder	C-098348-0004
4548	Lock-up Stop	B-147081-0001
4617	Register Bracket Screw	B-138617-0004
4618	Register Bracket Support	B-147342-0001

www.a-americanpressparts.com

Check our website for updates!

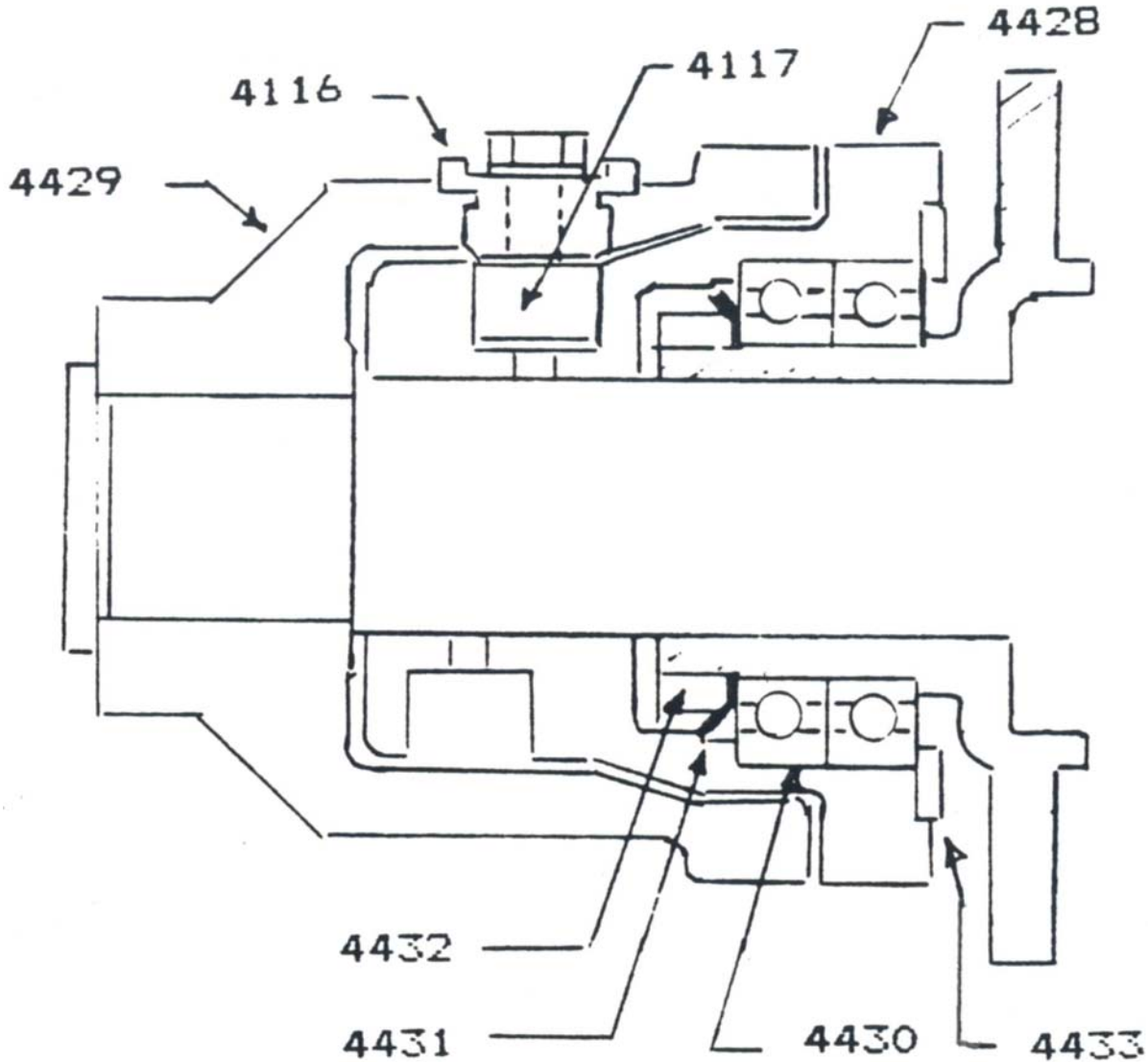
UNIT & HALF-DECK: CYLINDERS



MANUAL CIRCUMFERENTIAL & SIDELAY

STOCK NO.	DESCRIPTION	GOSS PART NO.
4306	Gear (36 teeth)	B-115963-0001
4307-1	Gear & Pointer (37 teeth)	B-012197-0000
4307-2	Gear & Pointer (40 teeth)	B-115878-0001
5131-1	Gear - Circum. Assy	B-115681-0001
5131-2	Gear - Sidelay Assy.	B-125196-0001
5132	Spring	897000-0275
5133	Oilite Bushing	729457-1058
5134	Window	B-115879-0001

UNIT & HALF-DECK: CYLINDERS



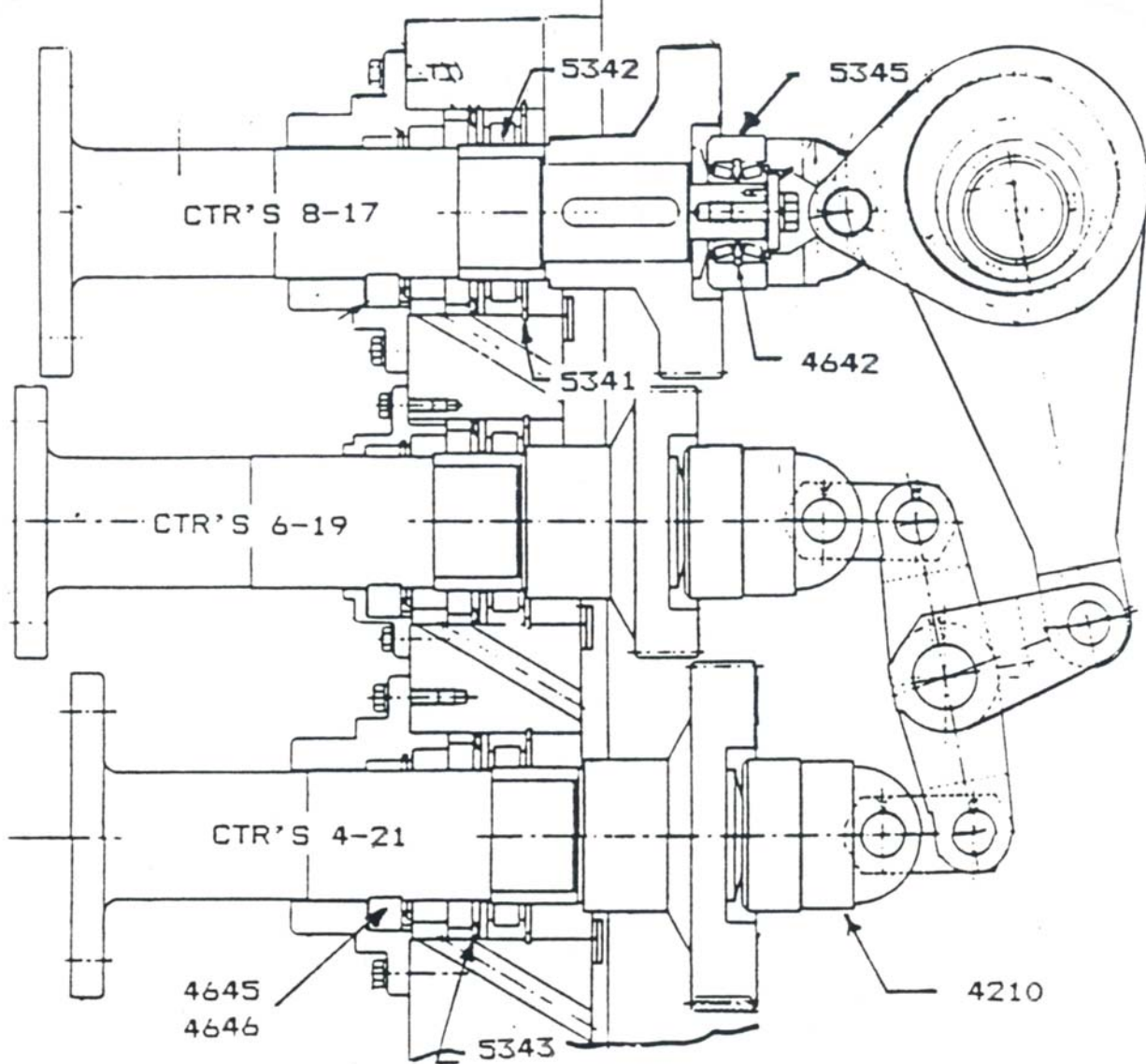
WATER DRUM VIBRATOR

STOCK NO.	DESCRIPTION	GOSS PART NO.
4116	Adapter	B-123928-0001
4117	Cam Follower	766509-1014
4428	Cam	D-023658-0001
4429	Cam Gear	C-073925-0001
4430	Bearing	722605-0226
4431	Lock Washer	C-040124-0113
4432	Lock Nut	C-040123-0113
4433	End Plate	B-123962-0001

www.a-americanpressparts.com

Check our website for updates!

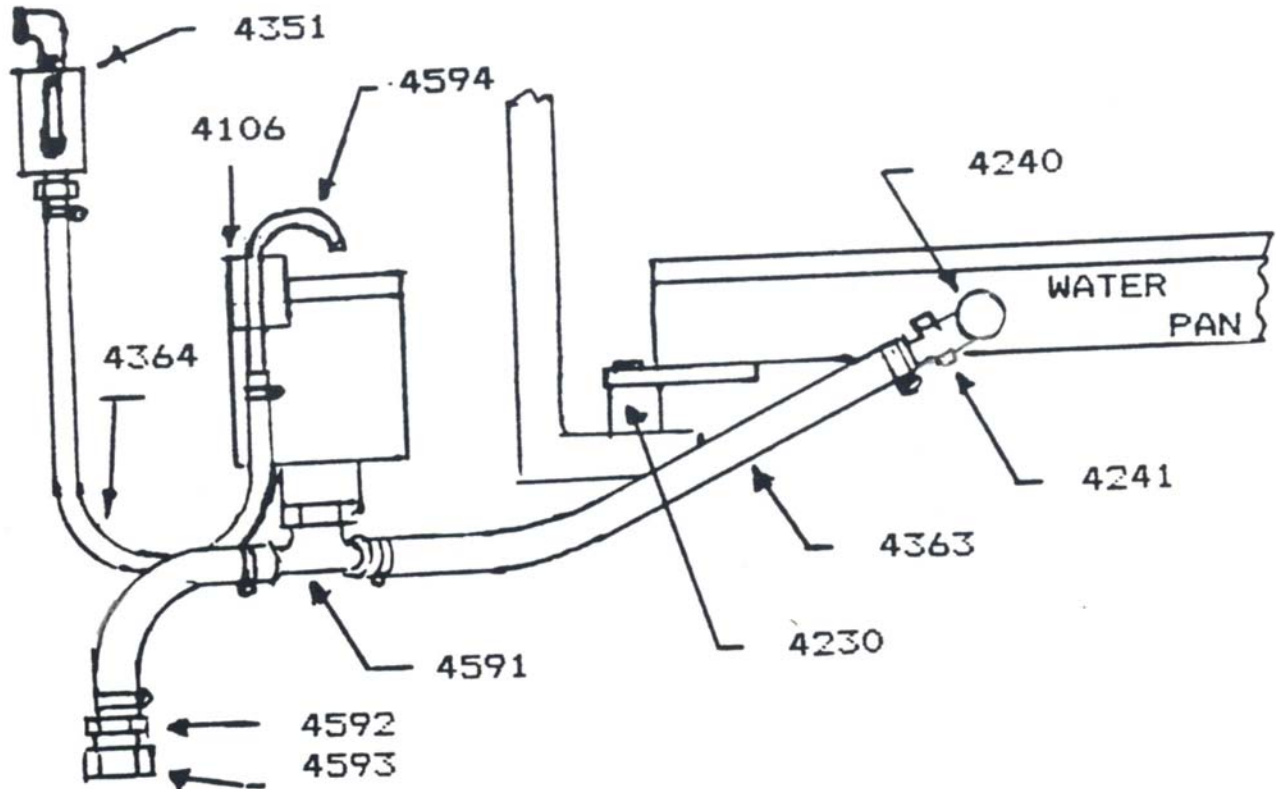
UNIT & HALF-DECK: CYLINDERS



VIBRATED DRUM

STOCK NO.	DESCRIPTION	GOSS PART NO.
4210	Vibrator Link Bracket	C-080006-0001
4642	Bearing	B-116354-0001
4645	Oil Wiper	B-130953-0001
4646	Oil Wiper Spring	B-130954-0001
5341	Retainer	885470-0575
5342	Bearing	722673-0201
5343	Wave Washer	930881-0120
5345	Bearing Retainer	B-135394-0001

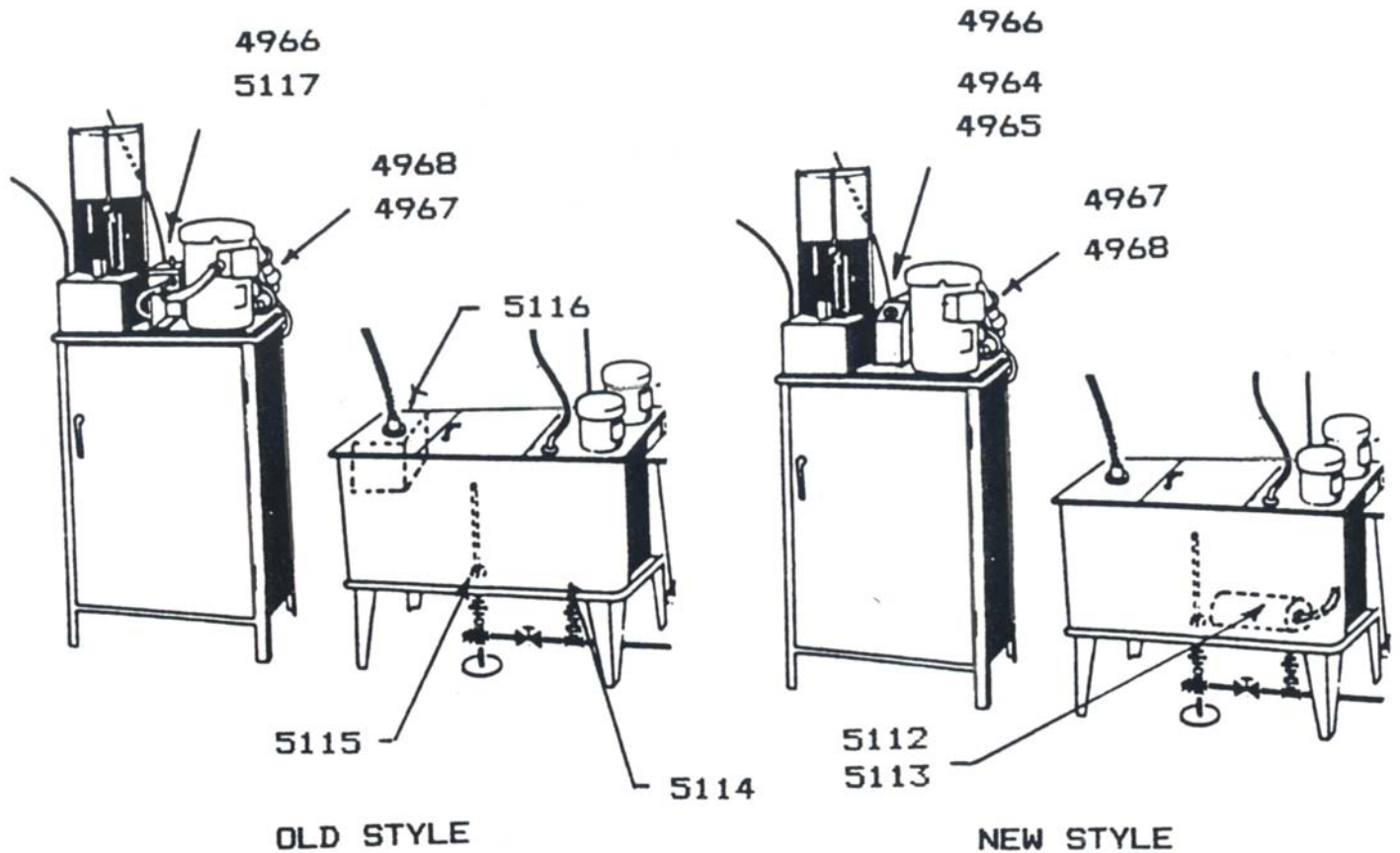
UNIT & HALF-DECK: DAMPENER SYSTEM



SPIRAL BRUSH WATER SYSTEM

STOCK NO.	DESCRIPTION	GOSS PART NO.
4106	Spring Clip	B-128203-0001
4230	Pan Mount	836068-0006
4240	Elbow	075300-0062
4241	Hose Coupling	737840-0206
4351	Feed Valve	920505-1000
4363	Tubing	908400-0091
4364	Feed Tubing	908400-0092
4591	Hose Tee	902063-0203
4592	Hose Coupling	737840-0320
4593	Nylon Pipe Cap	731061-0115
4594	Fill Tube	B-153525-0001

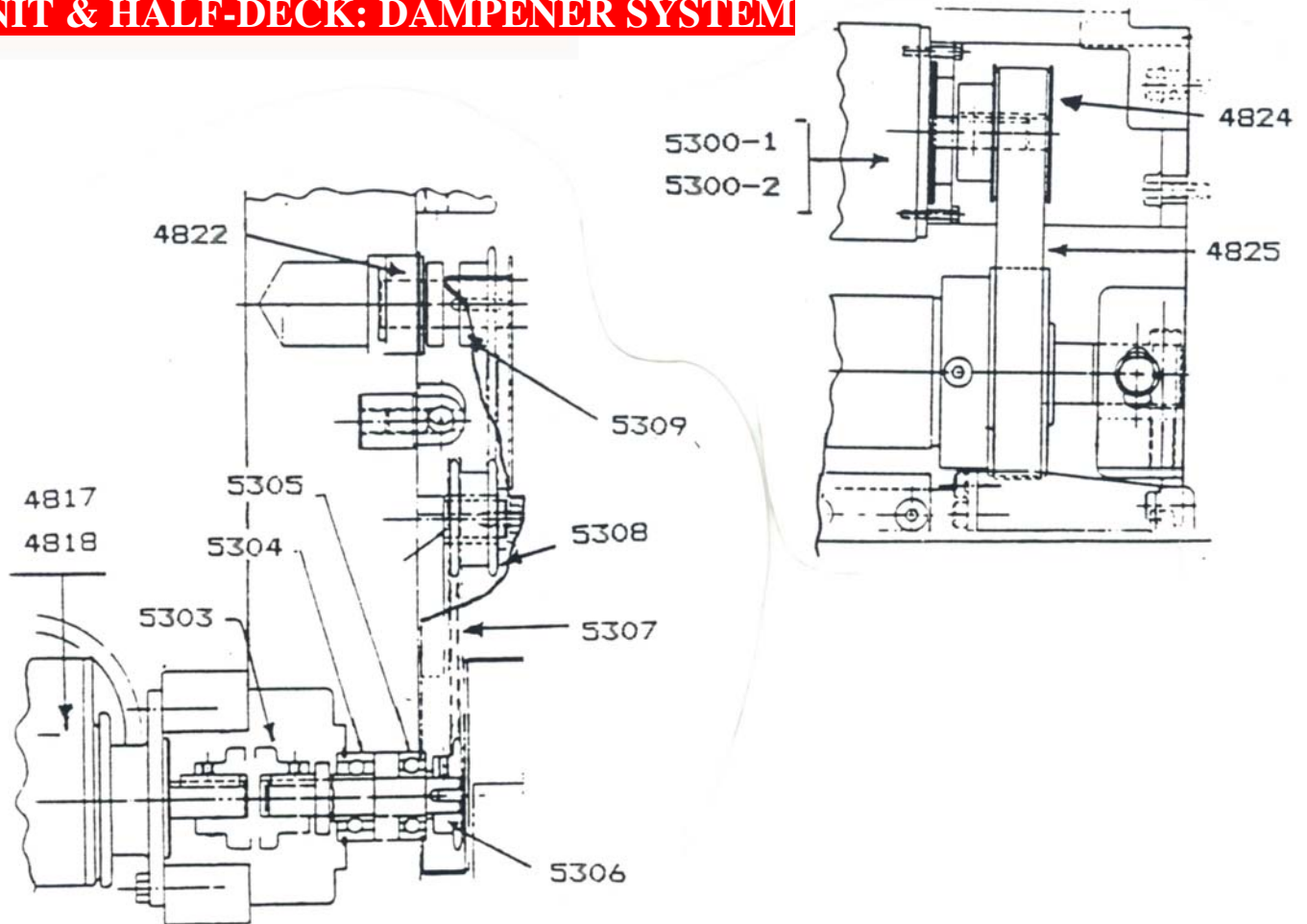
UNIT & HALF-DECK: DAMPENER SYSTEM



BALDWIN AUTO MIX & CIRCULATOR

STOCK NO.	DESCRIPTION	GOSS PART NO.
4964	Switch	
4965	Contact	
4966	Limit Switch	
4967	Y Filter Screen	
4968	Solenoid	
5112	Super Full-flo Filter Screen	
5113	Round Filter (for 5112)	
5114	Tank Fitting Assembly	
5115	Tank Fitting Assy- Manual Drain	
5116	Square Basket Filter	
5117	Switch	

UNIT & HALF-DECK: DAMPENER SYSTEM



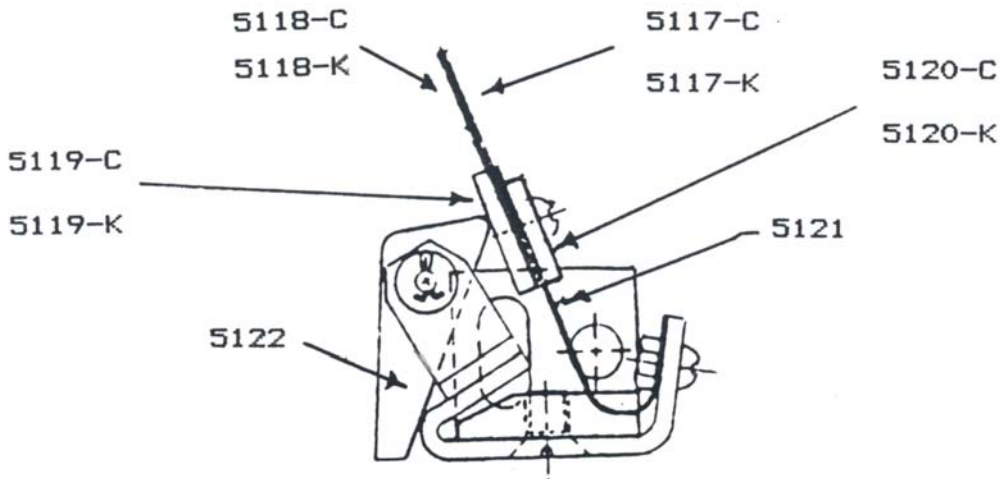
SPIRAL BRUSH ASSEMBLY • UNIT

STOCK NO.	DESCRIPTION	GOSS PART NO.
4817	Motor & Drive Box - Pan Roller, 10S	E-007759-0001
4818	Motor & Drive Box - Pan Roller, 13S	E-007759-0002
4822	Pan Roller Bearing	722600-0072
4824	Motor Pulley	B-153484-0001
4825	Timing Belt	723675-0596
5300-1	Brush Motor - 10 Side	D-038610-0002
5300-2	Brush Motor - 13 Side	D-038610-0001
5303	Coupling	727832-0023
5304	Bearing	772600-0030
5305	Bearing	722600-2307
5306	Jackshaft Sprocket	B-153502-0001
5307	Drive Chain	732403-0002
5308	Idler Sprocket	C-110946-0001
5309	Pan roller Sprocket	B-153503-0001

www.a-americanpressparts.com

Check our website for updates!

UNIT & HALF-DECK: DAMPENER SYSTEM

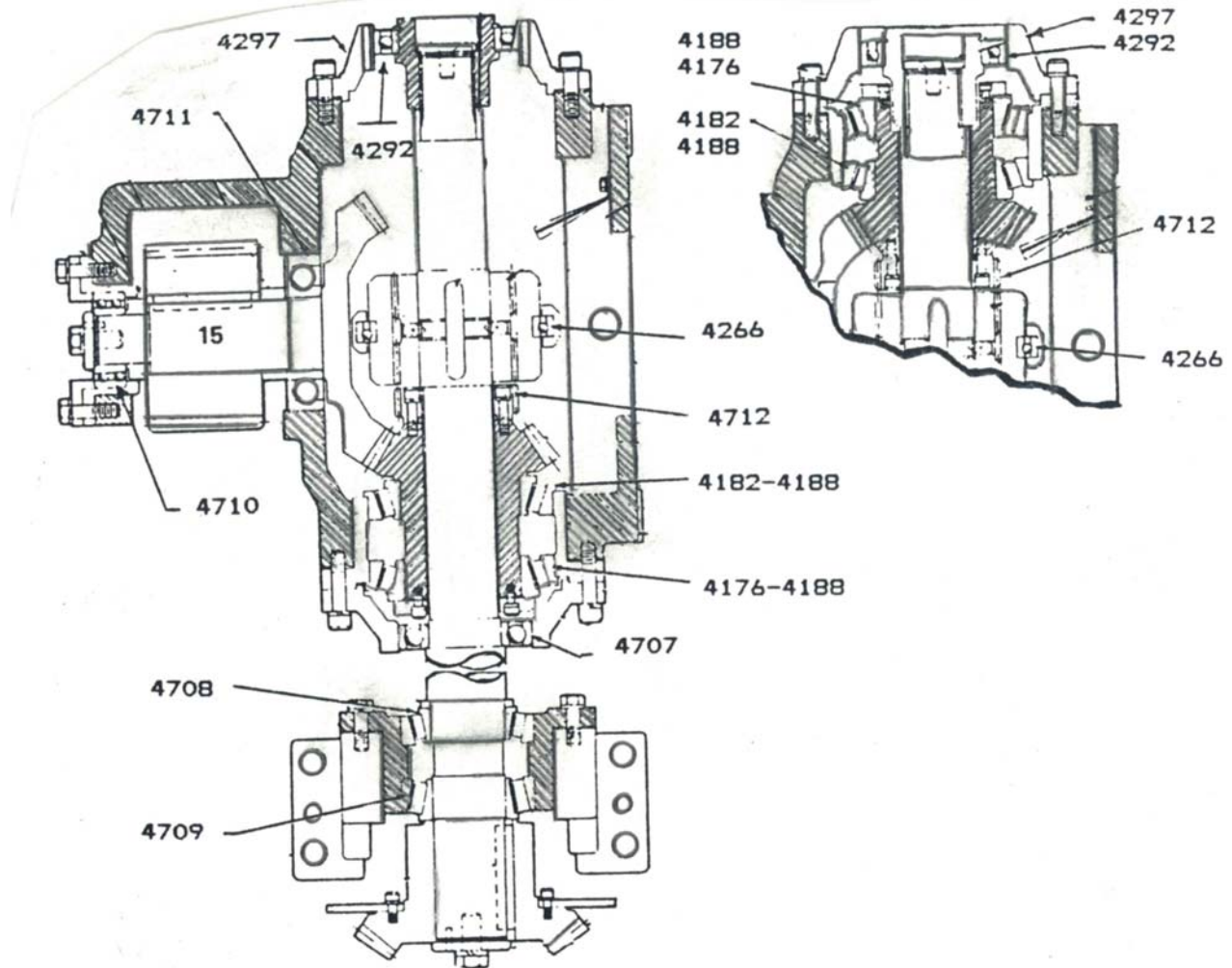


WATER STOP ASSEMBLY

STOCK NO.	DESCRIPTION	GOSS PART NO.
5121	Spring	B-152853-0002
5122	Water Stop Cam	B-152852-0001
5117-C	Teflon Wiper Blade	C-108032-0003
5117-K	Teflon Wiper Blade	C-108032-0011
5118-C	Backup Spring Blade	C-108033-0003
5118-K	Backup Spring Blade	C-108033-0011
5119-C	Support Blade	C-108031-0003
5119-K	Support Blade	C-108031-0011
5120-C	Support Blade	C-108657-0003
5120-K	Support Blade	C-108657-0011

**** ALL SIZE BLADES AVAILABLE ****

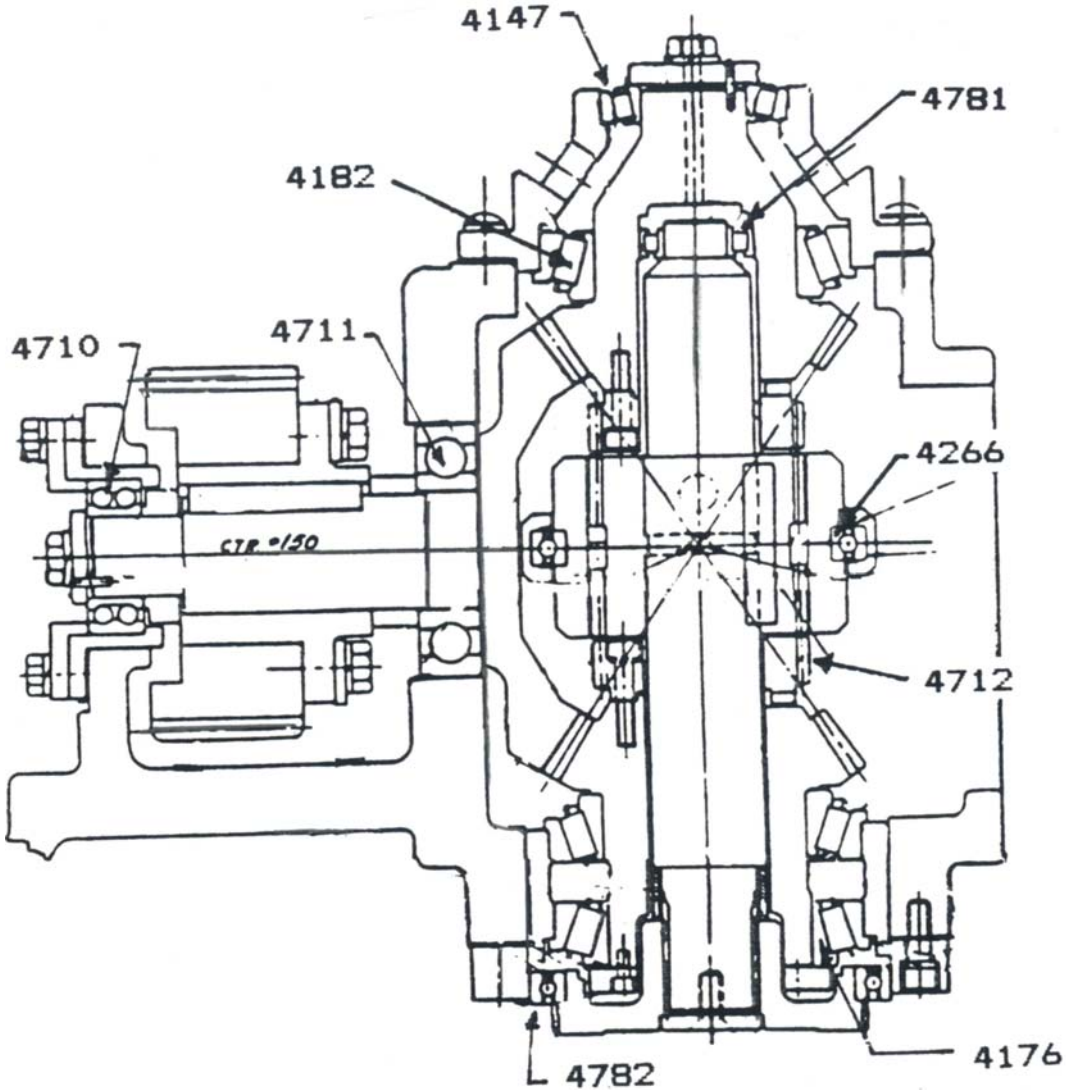
UNIT & HALF-DECK: DRIVE SYSTEM



VERTICAL DRIVE • REVERSE & NON-REVERSE

STOCK NO.	DESCRIPTION	GOSS PART NO.
4176	Bearing	722673-1572
4182	Bearing	722673-1574
4188	Bearing Cup for # 4182, 4176	
4192	Bearing	722605-0229
4266	Bearing	722605-0040
4297	Plate Upper Bracket	B-126234-0001
4707	Bearing	C-040100-6213
4708	Bearing	722673-1475
4709	Bearing	722673-2050
4710	Bearing	C-040106-5209
4711	Bearing	C-040101-6313
4712	Gear Clutch	C-066199-0001

UNIT & HALF-DECK: DRIVE SYSTEM



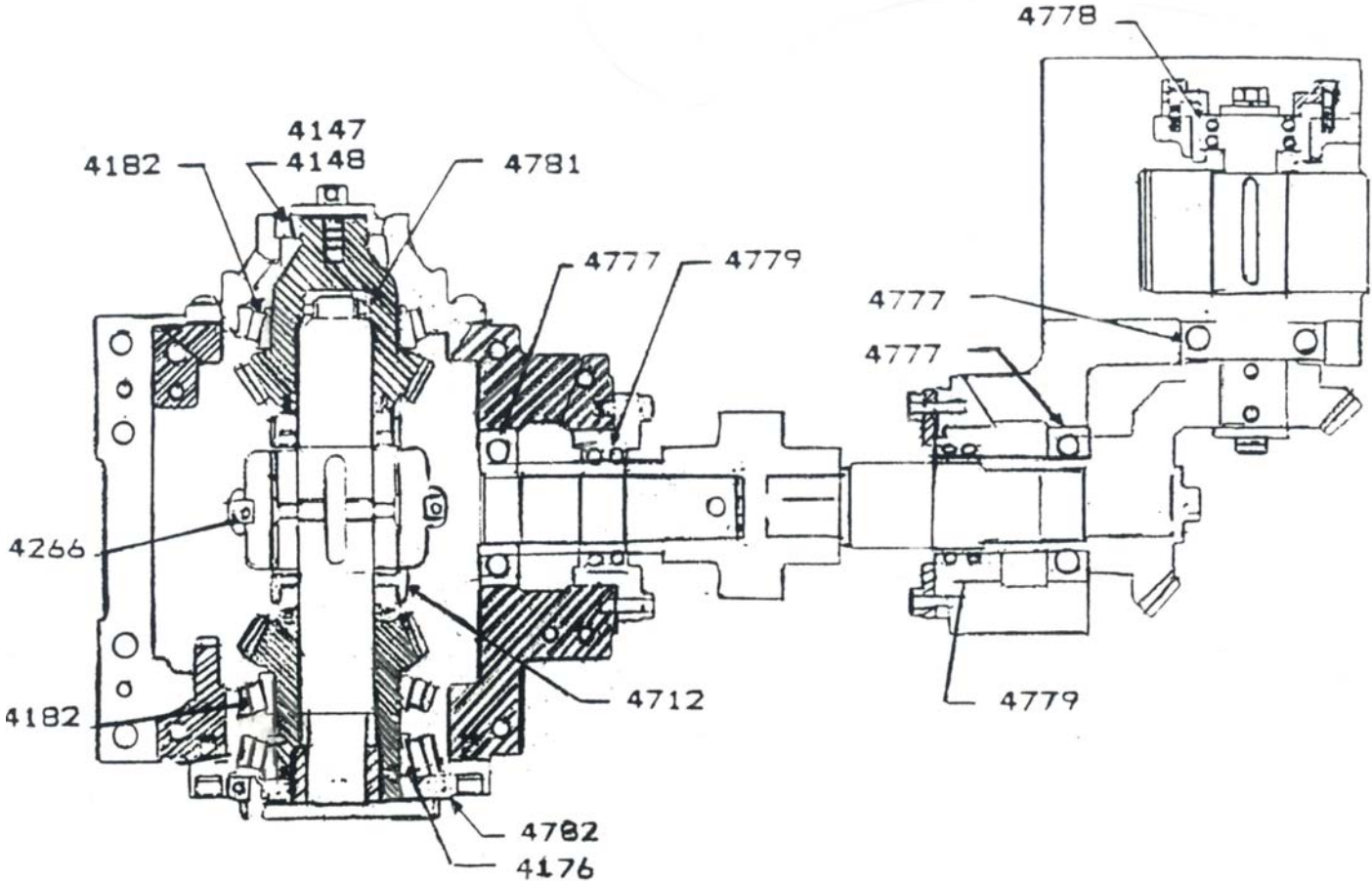
VERTICAL & HORIZONTAL DRIVE • 13 SIDE DECK

STOCK NO.	DESCRIPTION	GOSS PART NO.
4147	Bearing & Cup	722673-1048
4176	Bearing	722673-1572
4182	Bearing	722673-1574
4266	Bearing	722605-0040
4710	Bearing	722605-2009
4711	Bearing	722605-2014
4712	Gear Clutch	C-066199-0001
4781	Bearing	722673-0180
4782	Bearing	722605-0041

www.a-americanpressparts.com

Check our website for updates!

UNIT & HALF-DECK: DRIVE SYSTEM



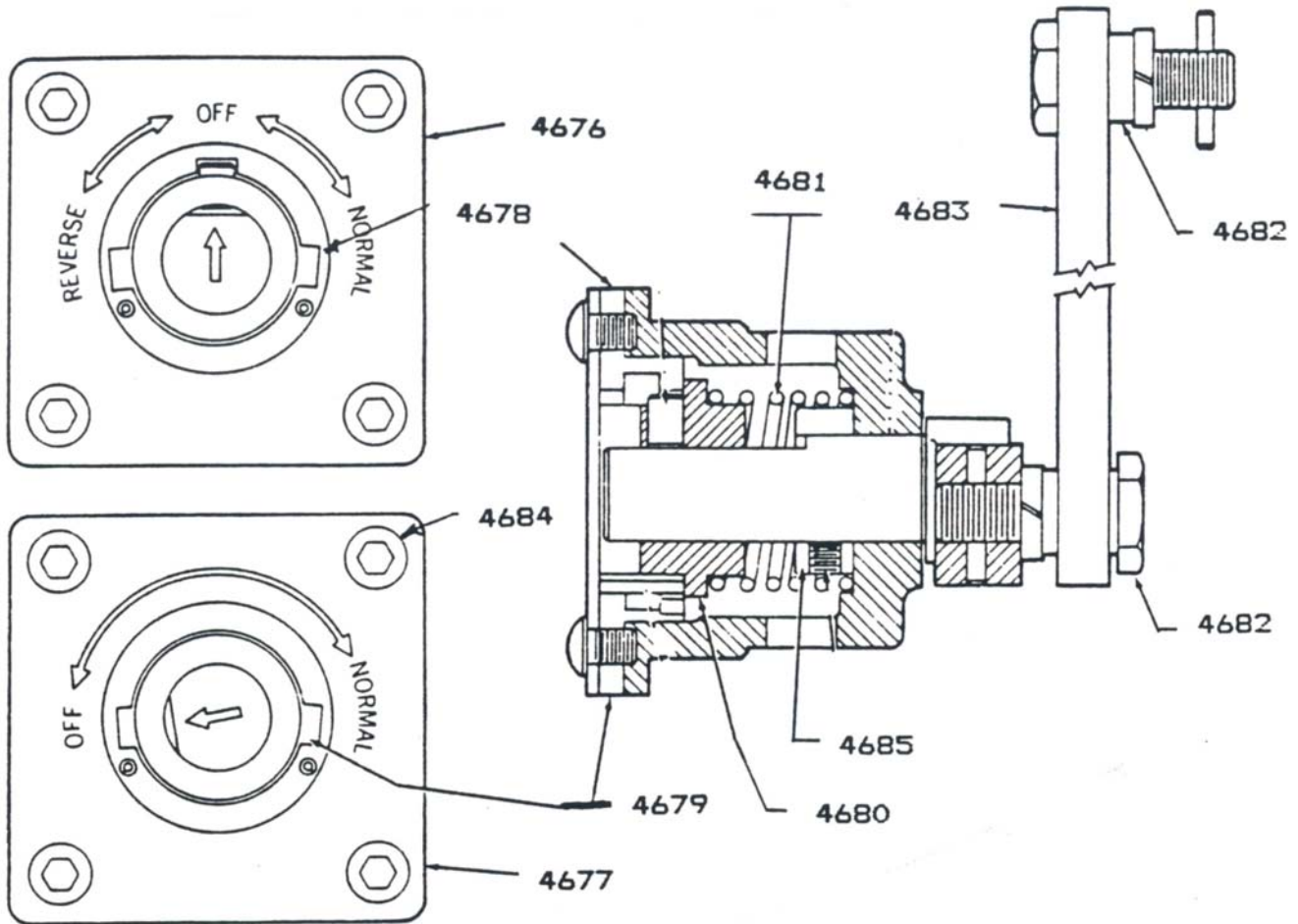
VERTICAL & HORIZONTAL DRIVE • 10

STOCK NO.	DESCRIPTION	GOSS PART NO.
4147	Bearing	722673-1048
4148	Bearing Cup	
4176	Bearing	722673-1572
4182	Bearing	722673-1574
4266	Bearing	722605-0040
4712	Gear Clutch	C-066199-0001
4777	Bearing	C-040101-6312
4778	Bearing	C-040106-5209
4779	Bearing	C-040106-5212
4781	Bearing	722673-0180
4782	Bearing	722605-0041

www.a-americanpressparts.com

Check our website for updates!

UNIT & HALF-DECK: DRIVE SYSTEM



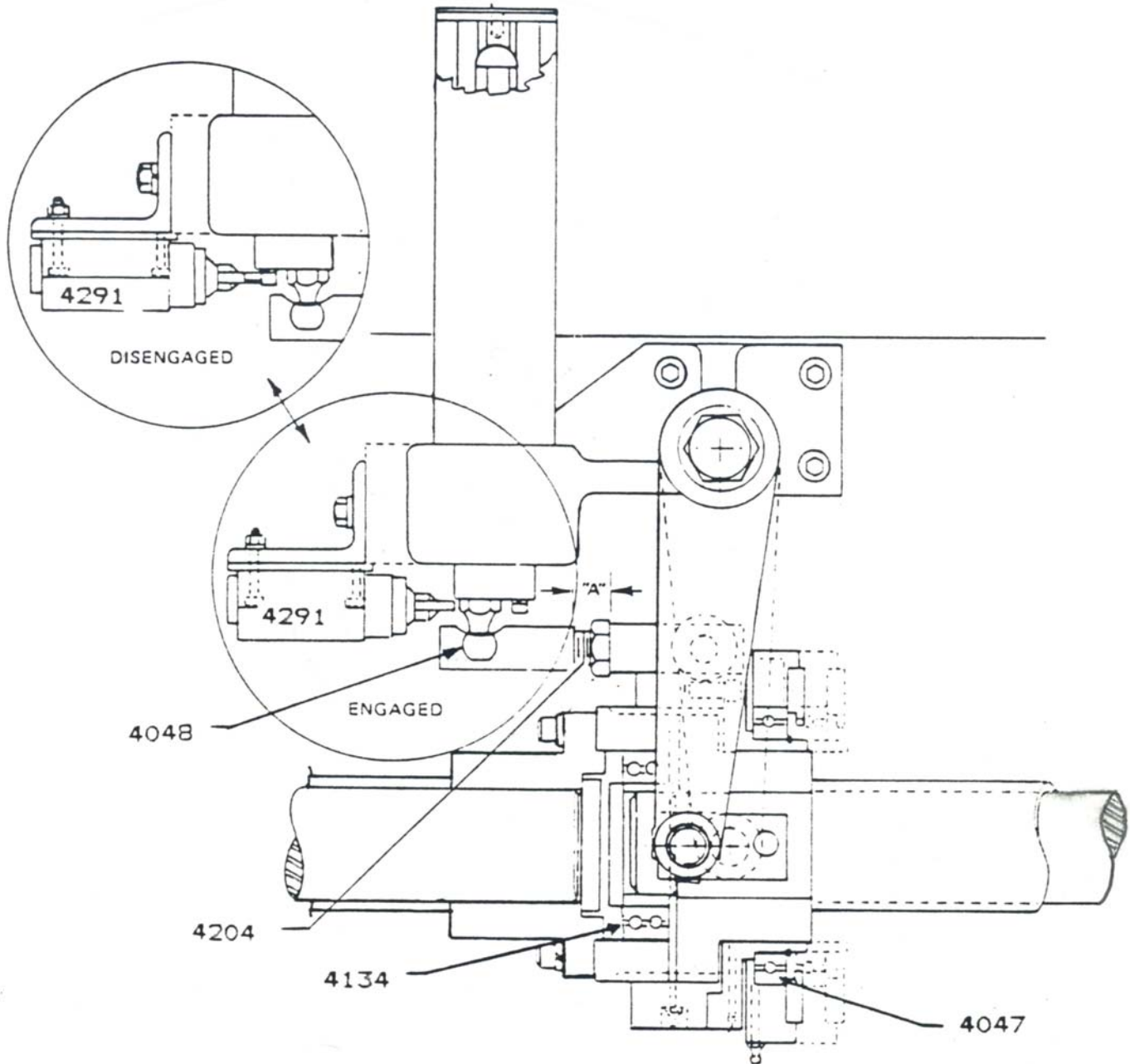
VERTICAL DRIVE SHAFT SHIFTER

STOCK NO.	DESCRIPTION	GOSS PART NO.
4676	Indicator Plate * Rev-Off-Normal	B-114148-0001
4677	Indicator Plate * Off-Normal	B-116527-0001
4678	Reversing Plate	26-5669-A, C66242
4678	Reserving Plate	26-5669-A, C66247
4680	Spring Sleeve	B-114147-0001
4681	Spring	B-116196-0001
4682	Shoulder Screw	B-114144-0001
4683	Clutch Link	B-114142-0002
4684	Screw	891209-1316
4685	Collar	B-040081-1125

www.a-americanpressparts.com

Check our website for updates!

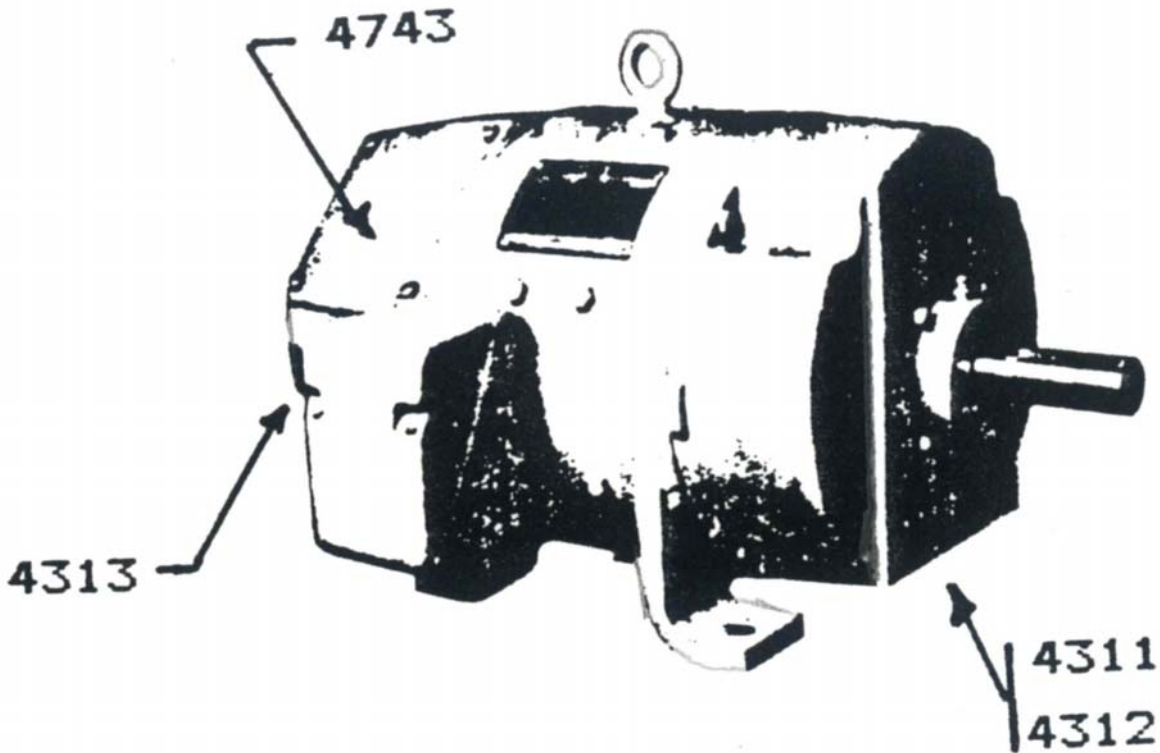
UNIT & HALF-DECK: NOTES



MAIN DRIVE CLUTCH

STOCK NO.	DESCRIPTION	GOSS PART NO.
4047	Bearing	
4048	Ball Joint	807005-0013
4134	Bearing	022673-0312
4204	Stud	B-135212-0001
4291	Limit Switch	

UNIT & HALF-DECK: DRIVE SYSTEM



MAIN DRIVE MOTORS • GENERAL ELECTRIC

STOCK NO.	DESCRIPTION	GOSS PART NO.
4311	Exhaust Screen	
4312	Air Inlet	
4313	Air Exhaust	
4743	Plastic Cover for Motor	

UNIT & HALF-DECK: GUARDS

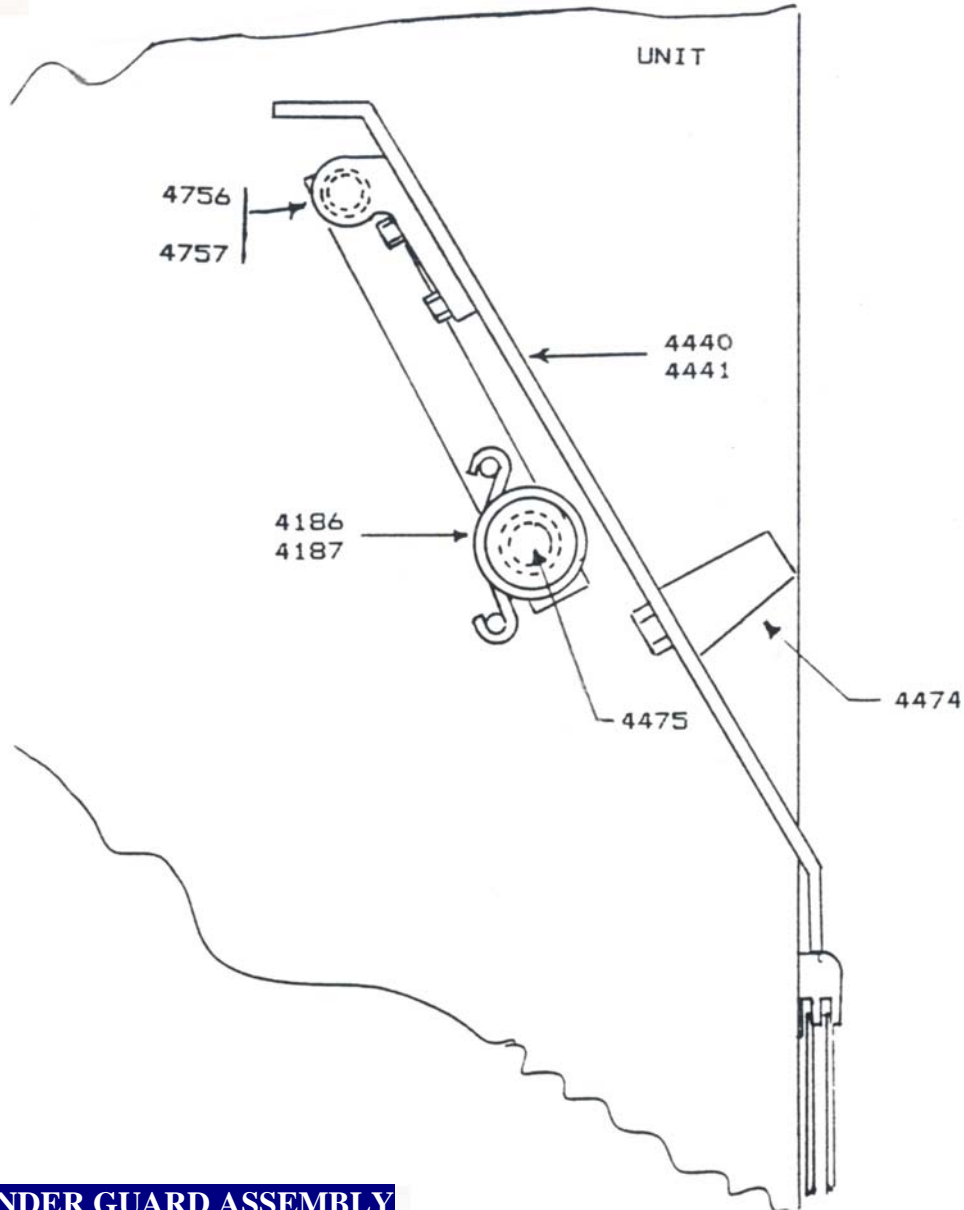


PLATE CYLINDER GUARD ASSEMBLY

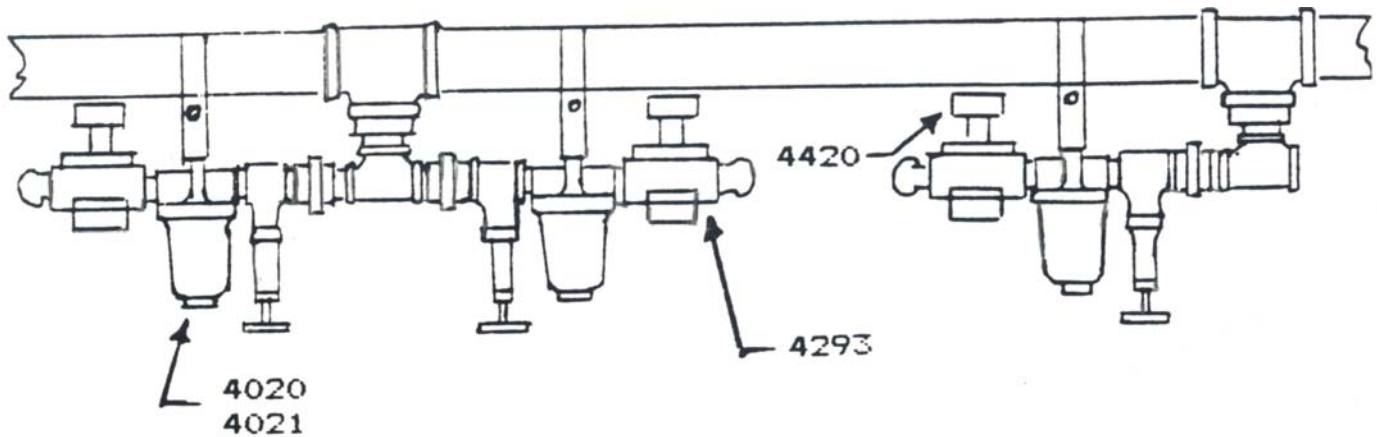
STOCK NO.	DESCRIPTION	GOSS PART NO.
4440	Plate Cylinder Guard	D-028461-0001
4441	Plate Cylinder Guard	D-028461-0002
4186	Guard Spring - RH	C-071815-0001
4187	Guard Spring - LH	C-071815-0002
4474	Handle	C-086272-0001
4475	Stripper Bolt	C-040131-7522
4756	Hinge - CI	B-149669-0001
4757	Hinge - Steel	



1-888-434-0888
TOLL FREE

UNIT & HALF-DECK: NOTES

UNIT & HALF-DECK: INK SYSTEM



MAIN INK LINE FILTERS & PNEUMATIC SYSTEM

STOCK NO.	DESCRIPTION	GOSS PART NO.
4020	Ink Filter	762948-0004
4021	Ink Filter Element	753525-0010
4293	Air Valve	920500-0065
4420	Air Valve	920502-0065

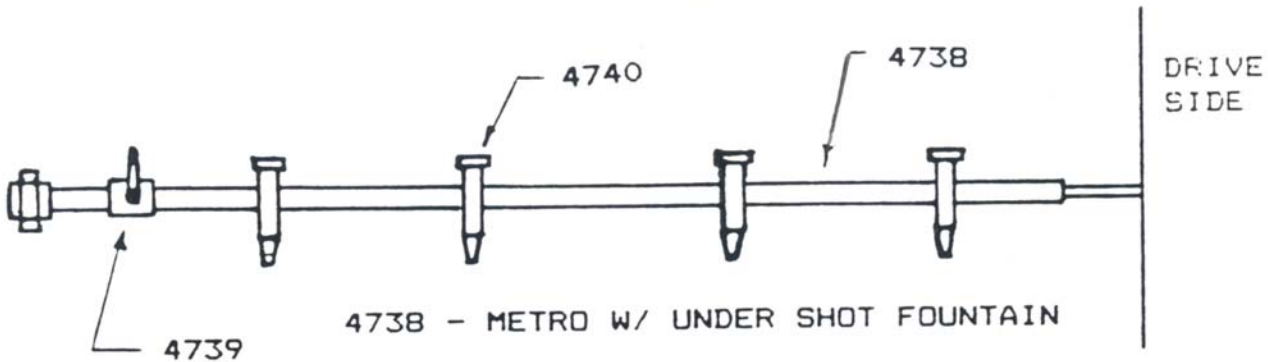
www.a-americanpressparts.com

Check our website for updates!

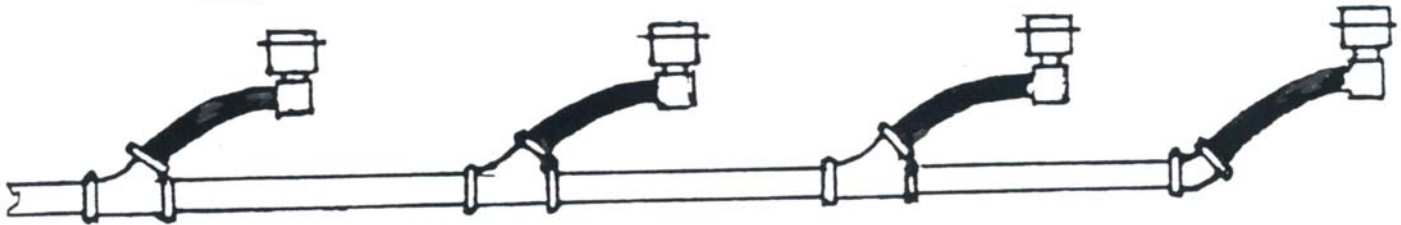
UNIT & HALF-DECK: INK SYSTEM



4042 - METRO



4738 - METRO W/ UNDER SHOT FOUNTAIN



4741 - METRO-LINER



4742 - METRO & METRO-LINER, HALF-DECKS

MAIN INK LINE PIPING

STOCK NO.	DESCRIPTION	GOSS PART NO.
4042	Main Ink Line * 10 - 13 Side	
4738	Feed Piping Assembly	
4739	Main Shut-off Valve	920500-0220
4740	Page Compartment Valve	845500-0250
4741	Main Ink Line * 10 - 13 Side	
4742	Main Ink Line for Decks	

www.a-americanpressparts.com

Check our website for updates!

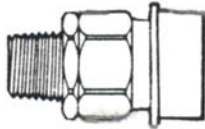
UNIT & HALF-DECK: INK SYSTEM



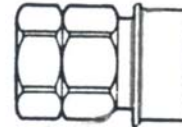
4010



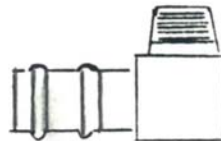
4011



4012



4013



4263

MAIN INK LINE & CANNISTER INK LINE FITTINGS

STOCK NO.	DESCRIPTION	GOSS PART NO.
4010	Plain Nipple for Pac	B-132261-0001
4011	Valved Nipple - Cannister & HD	C-097003-0001
4012	Valved Coupler - Male Pipe Thrd.	865515-0242
4013	Valved Coupler - Female Pipe Thrd.	865515-0242
4263	90° Elbow - Main Ink Line to Pac - ML	

UNIT & HALF-DECK: INK SYSTEM



PAC TO RAIL INK HOSE • FOR WIRE & SLIDE TYPE FITTINGS

STOCK NO.	DESCRIPTION	GOSS PART NO.
4030	Ink Hose Assembly - 9" lg.	
4031	Ink Hose Assembly - 9-1/2" lg.	
4032	Ink Hose Assembly - 10" lg.	
4033	Ink Hose Assembly - 12" lg.	
4034	Ink Hose Assembly - 14" lg.	
4035	Ink Hose Assembly - 16" lg.	
4036	Ink Hose Assembly - 22" lg.	
4037	Ink Hose Assembly - 32" lg.	
4038	Ink Hose Assembly - 36" lg.	



PAC TO RAIL INK HOSE • FOR SCREW TYPE FITTINGS

STOCK NO.	DESCRIPTION	GOSS PART NO.
4026	Ink Hose Assembly - 13" lg.	
4027	Ink Hose Assembly - 14-1/2" lg.	
4028	Ink Hose Assembly - 29" lg.	
4029	Ink Hose Assembly - 37" lg.	



PAC TO RAIL INK HOSE WITH SCREW & SWIVEL TYPE FITTINGS

STOCK NO.	DESCRIPTION	GOSS PART NO.
4426-1	Ink Hose Assembly - 8-1/2" lg.	
4426-2	Ink Hose Assembly - 13-1/4" lg.	
4426-3	Ink Hose Assembly - 16" lg.	
4426-4	Ink Hose Assembly - 20" lg.	
4426-5	Ink Hose Assembly - 29-1/4" lg.	

**** ALL HOSES CAN BE MADE TO CUSTOMER'S SPECIFICATIONS ****

www.a-americanpressparts.com

Check our website for updates!

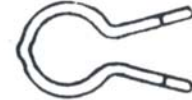
UNIT & HALF-DECK: INK SYSTEM



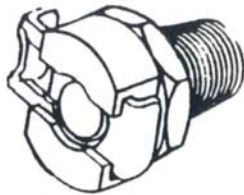
4001



4002



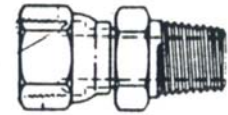
4003



4004



4005



4019

4006



4156



4243



4244



4582

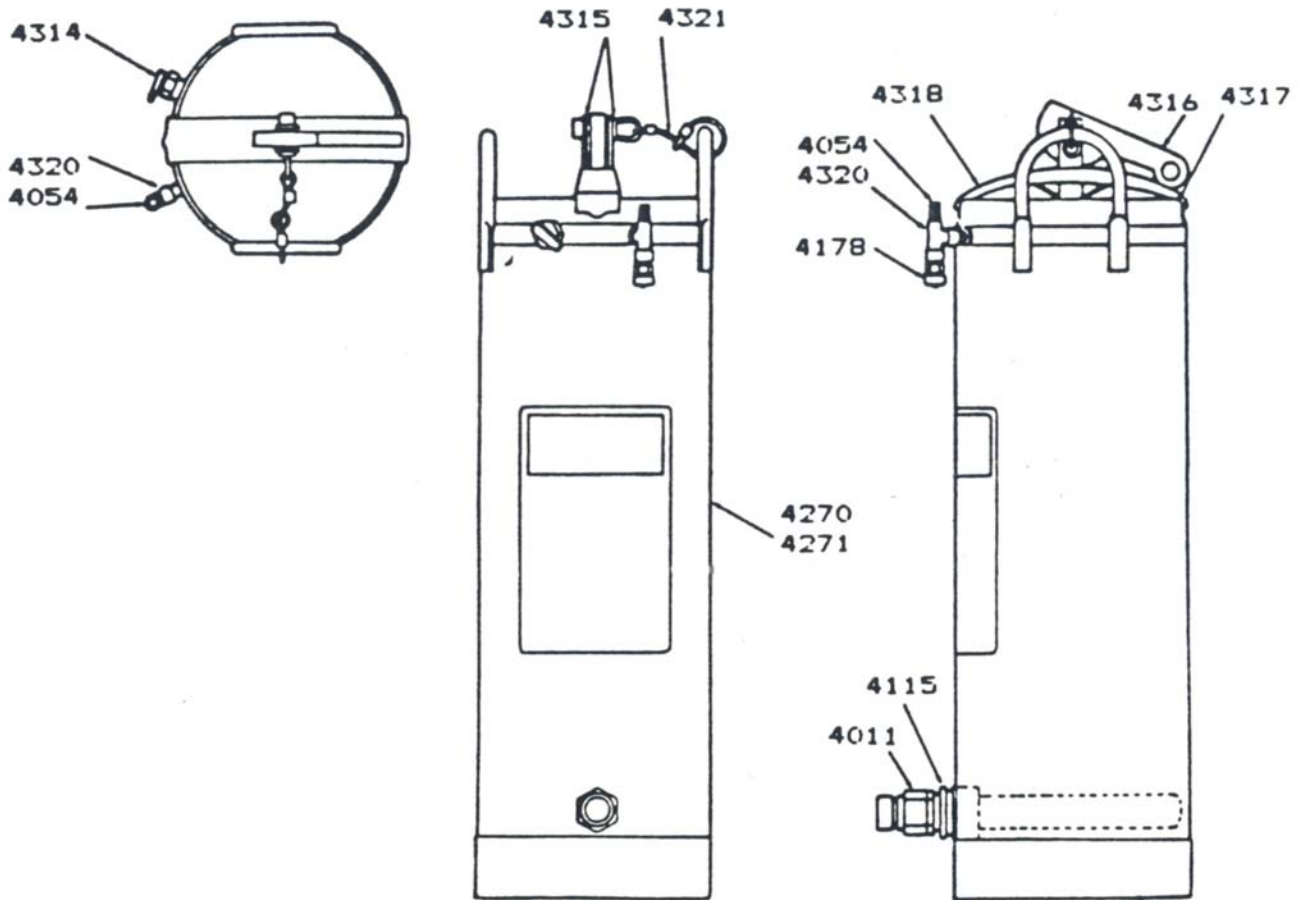
PAC & INK RAIL HOSE FITTINGS

STOCK NO.	DESCRIPTION	GOSS PART NO.
4001	Ink Pac Fitting, Wire Type	711200-0054
4002	Ink Rail Fitting, Wire Type	711200-0053
4003	Wire Clip	884300-0004
4004	Ink Pac Fitting, Slide Type	
4005 *	Ink Pac Fitting, Slide Type	712000-0055
4006 +	Ink Pac Fitting, Slide Type	
4019	Swivel Connector - For Screw Type Hose Assy.	
4156	45° Fitting	
4243	Nipple	
4244	90° Elbow	
4582	Straight Fitting	

* 45° PLAIN

+ 45° WITH INDENTED SLIDE

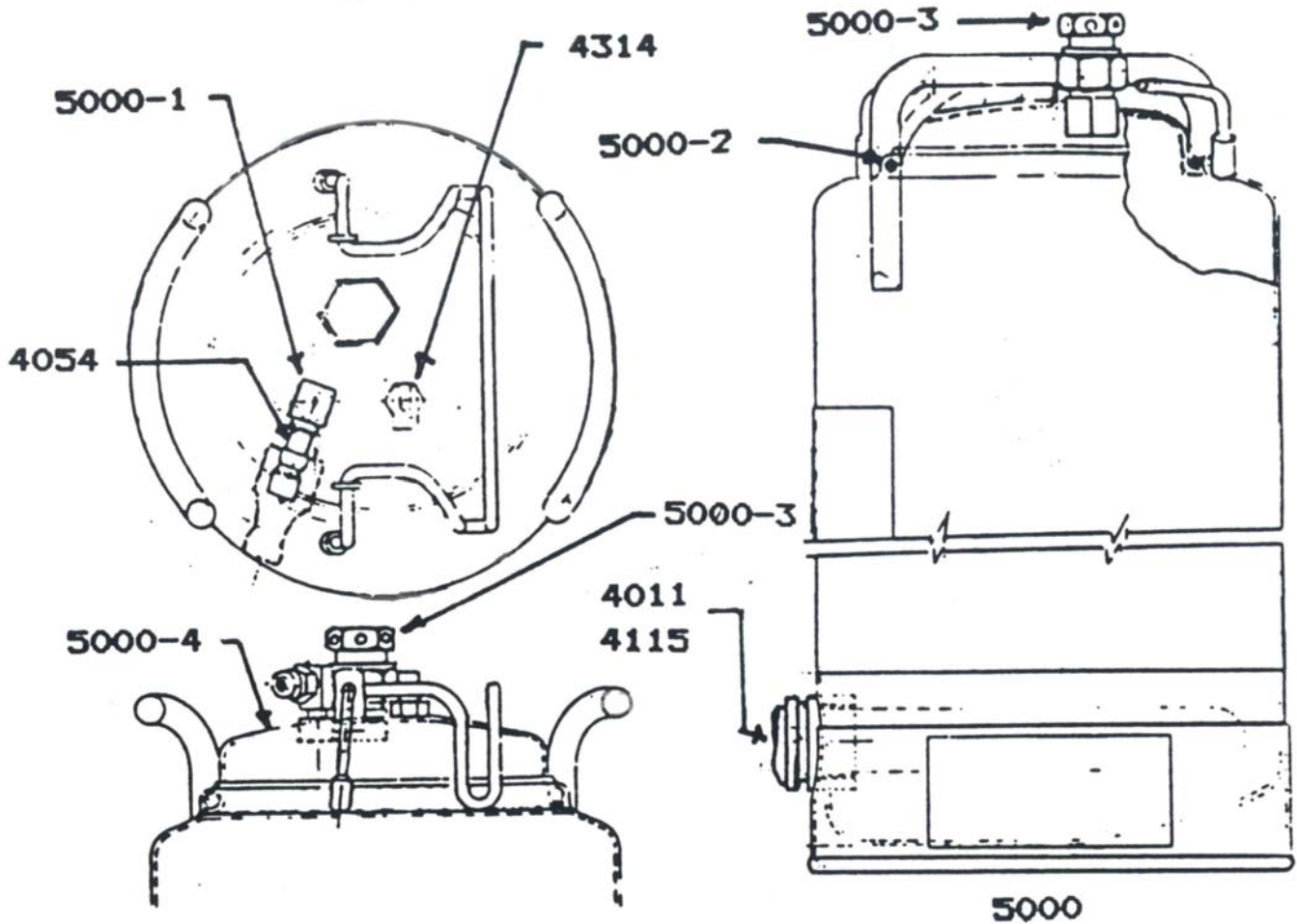
UNIT & HALF-DECK: INK SYSTEM



INK CANNISTER • OLD STYLE

STOCK NO.	DESCRIPTION	GOSS PART NO.
4011	Valved Nipple	865515-0242
4054	Air Feed Nipple	
4115	Ink Filter with Fitting	B-129291-0001
4178	Pop-off Valve with O-ring	E-005337-0008
4271	Ink Cannister - Four Gallon	E-005337-0001
4314	Air Release Valve	
4315	Clip	
4316	Handle	
4317	Gasket	E-005337-0005
4318	Cover Assembly	E-005337-0006
4320	Tee with Restrictor Assembly	E-005337-0010
4321	Wire Rope Assembly	

UNIT & HALF-DECK: INK SYSTEM



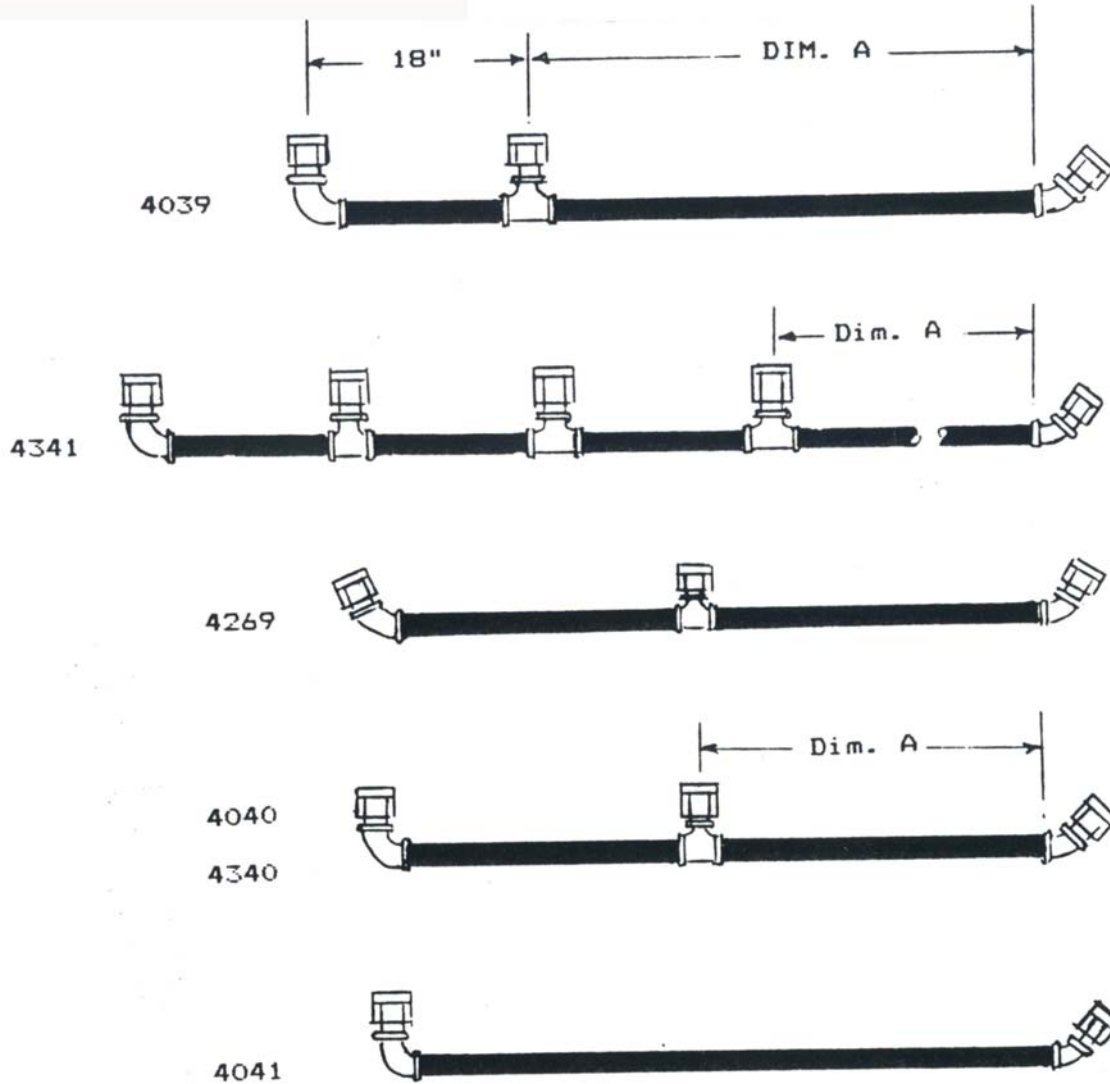
INK CANNISTER ASSEMBLY • NEW STYLE

STOCK NO.	DESCRIPTION	GOSS PART NO.
4011	Valved Nipple	865515-0242
4054	Valved Nipple	
4115	Ink Strainer	B-129291-0001
4314	Air Release Valve	E-005337-0008
5000	Tank & Cover Assembly	ER-012798-0000
5000-1	Elbow	753061-0130
5000-2	O-ring	885454-0432
5000-3	Rupture Assembly Disc	745000-0030
5000-4	Cannister Cover	

www.a-americanpressparts.com

Check our website for updates!

UNIT & HALF-DECK: INK SYSTEM

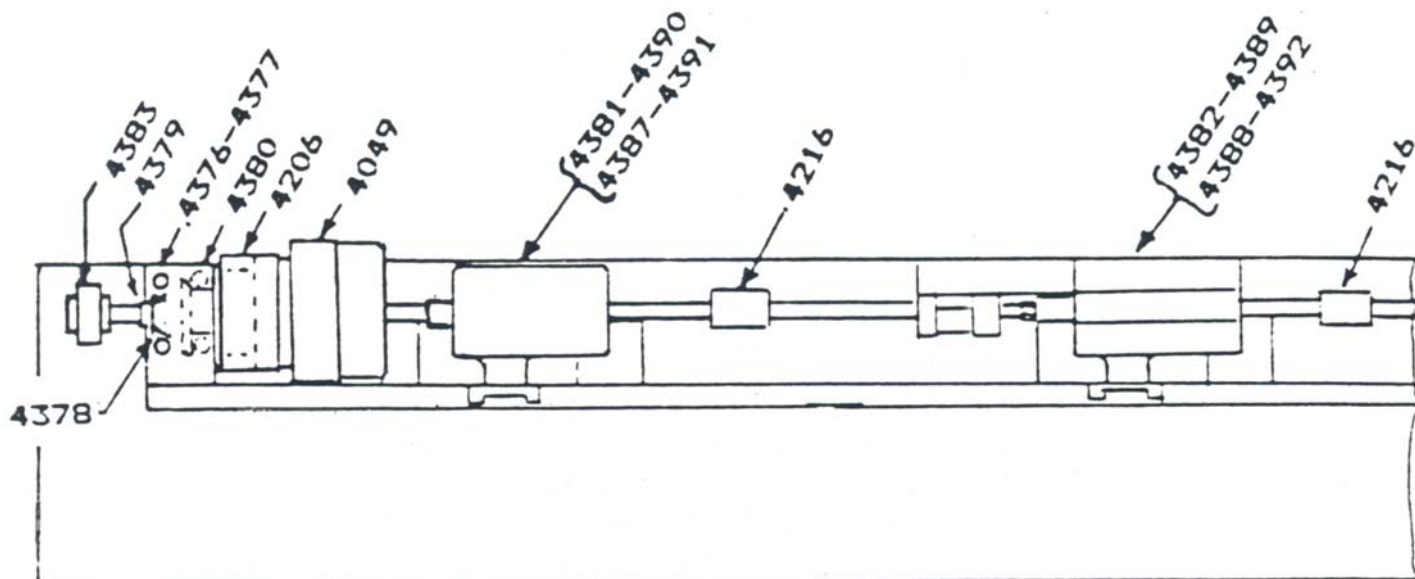


CANNISTER TO PAC INK HOSE ASSEMBLY

STOCK NO.	DESCRIPTION	GOSS PART NO.
4039	Ink Hose Assembly To 2 Pacs	
4040	Ink Hose Assembly To 2 Pacs - 80"	D-029531-0002
4041	Ink Hose Assembly To 1 Pacs	
4269	Ink Hose Assembly To 2 Pacs	
4340	Ink Hose Assembly To 2 Pacs - 53"	D-029534-0003
4341	Ink Hose Assembly To 4 Pacs	

**** ALL HOSES CAN BE MADE TO CUSTOMER'S SPECIFICATIONS ****

UNIT & HALF-DECK: INK SYSTEM



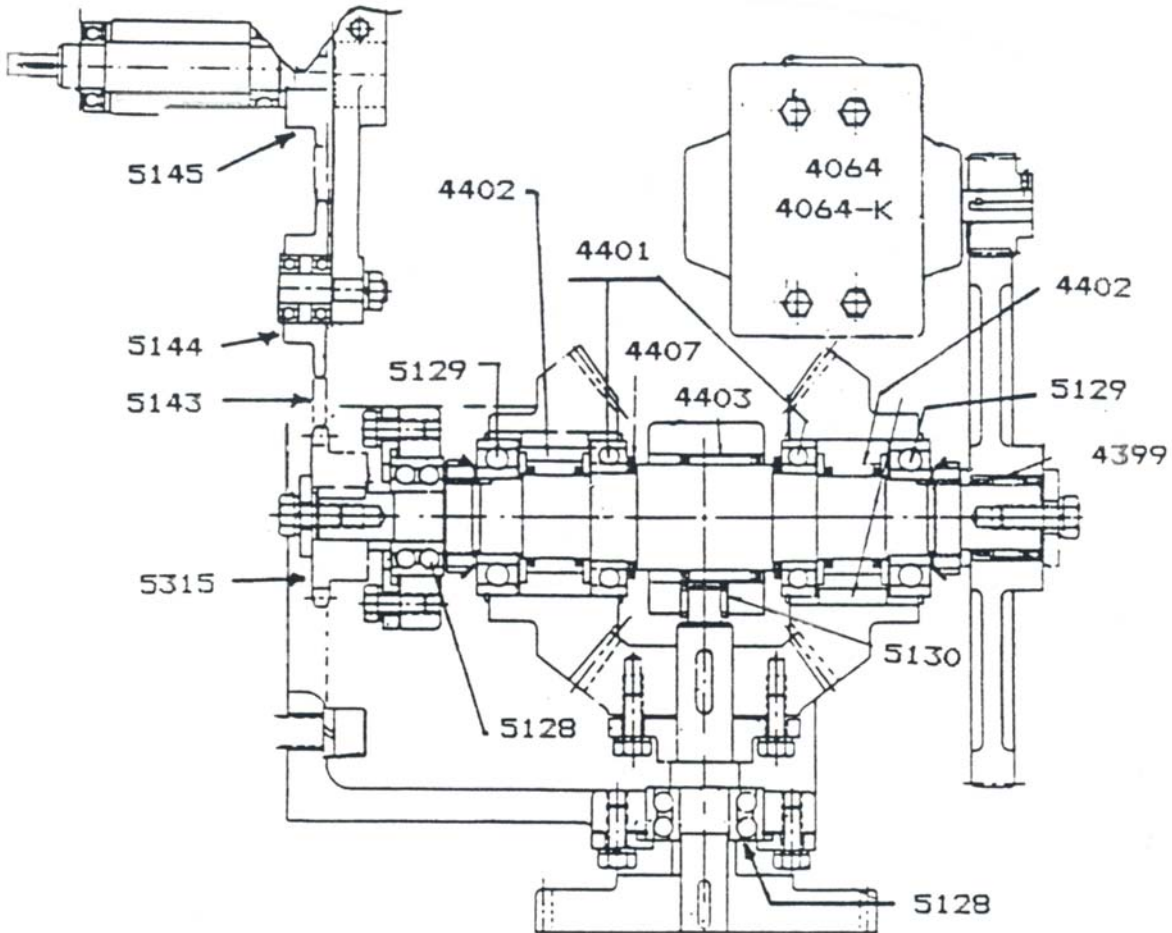
INK PAC DRIVE ASSEMBLY

STOCK NO.	DESCRIPTION	GOSS PART NO.
4049	Clutch	C-734300-0001
4206	Spindle	C-088761-0001
4216	Coupling	B-131002-0001
4376	Mounting Block - 10 Side	C-088766-0001
4377	Mounting Block - 13 Side	C-088766-0002
4378	Bearing	722605-1066
4379	Bearing Spacer	729457-0050
4380	Bearing	722605-1073
4381 *	Drive Box - Drive 10 Side	E-003022-0001
4382 *	Drive Box - 10 Side	D-027850-0001
4383	Coupling	737832-0001
4387 *	Drive Box - Drive 13 Side	E-003022-0002
4388 *	Drive Box - 13 Side	D-027850-0002
4389 +	Drive Box - 10 Side	D-030088-0002
4390 +	Drive Box - Drive 10 Side	D-029899-0009
4391 +	Drive Box - Drive 13 Side	D-030088-0001
4392 +	Drive Box - 13 Side	D-030088-0001

* PRE METRO PRESS NO. 3117
 * PRE MARK V PRESS NO. 4007

+ POST METRO PRESS NO. 3117
 + POST MARK V PRESS NO. 4007

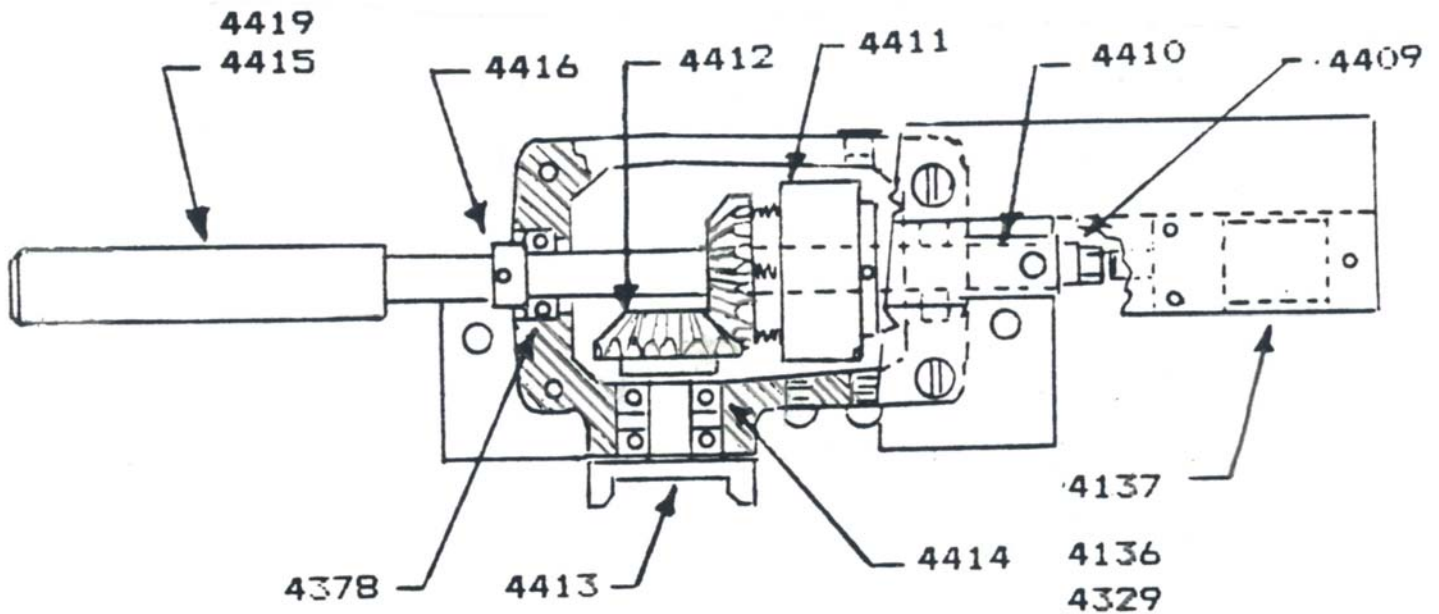
UNIT & HALF-DECK: INK SYSTEM



INK INJECTOR DRIVE • HALF DECK

STOCK NO.	DESCRIPTION	GOSS PART NO.
4064	Air Motor	83500-0108
4064-K	Air Motor Repair Kit	
4399	Clutch	734300-0010
4401	Bearing	722605-1327
4402	Clutch	734312-0206
4403	Bearing	722657-0574
4407	Spring Disc	897015-6205
5128	Bearing	722605-0222
5129	Bearing	722605-0206
5130	Bearing	722683-0323
5143	Drive Chain	732404-1060
5144	Idler Sprocket	C-097669-0001
5145	Jackshaft Sprocket	885470-0545
5315	Sprocket	B-146424-0001

UNIT & HALF-DECK: INK SYSTEM



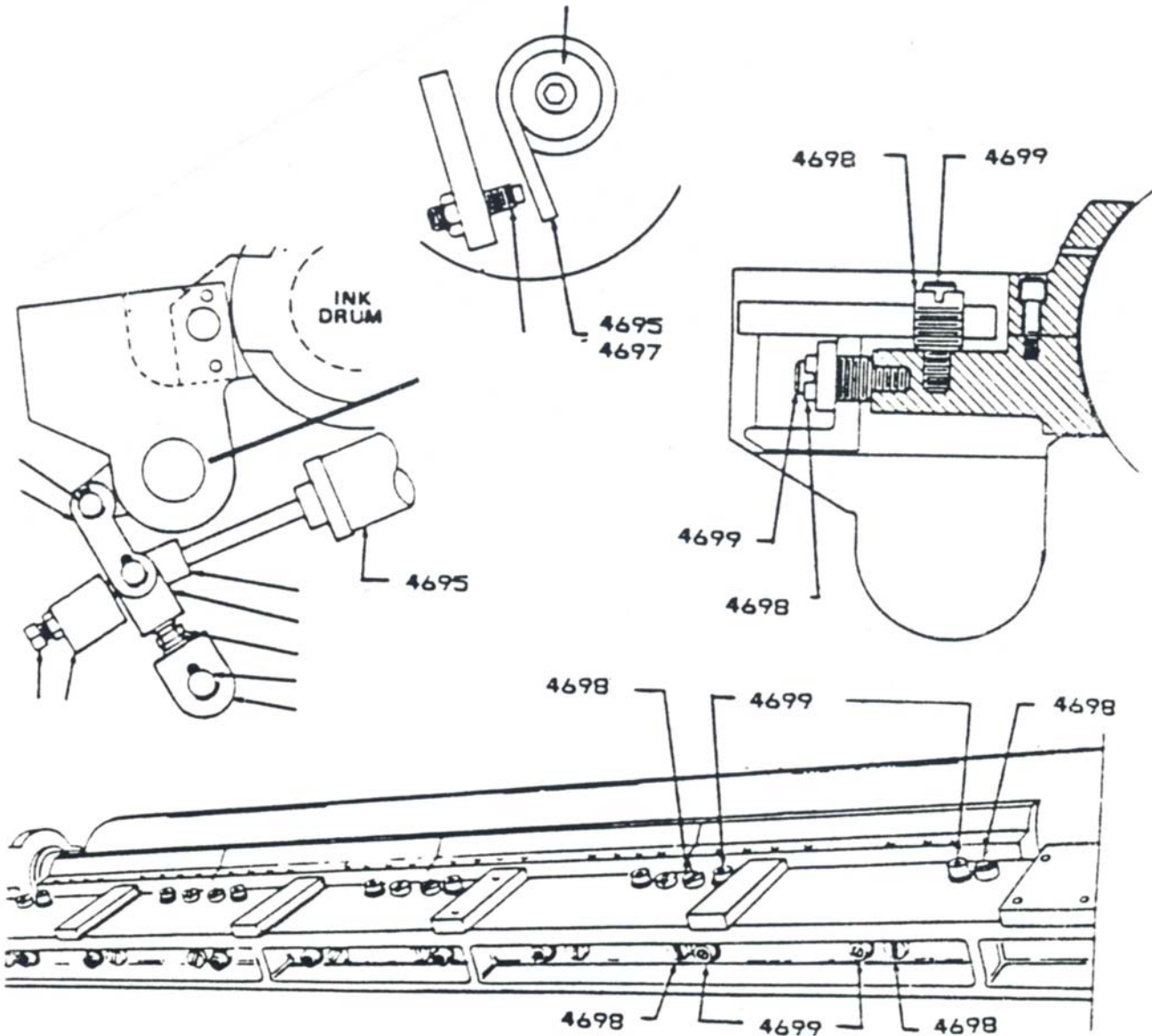
INK PAC DRIVE BOX • NEW STYLE

STOCK NO.	DESCRIPTION	GOSS PART NO.
4136	Air Cylinder	739903-0201
4137	Air Cylinder Repair Kit	
4329	Air Cylinder	739903-0202
4378	Bearing	722605-1066
4409	Clevis	B-140725-0001
4410	Link Arm	B-140723-0001
4411	Clutch Assembly	C-090490-0001
4412	Bevel Gear	C-090244-0001
4413	Coupling Flange	B-133070-0001
4414	Bearing	722605-1231
4415	Shaft - 10 Side Drive	B-139968-0001
4416	Spacer	B-130733-0001
4417	Shaft - 13 Side Assembly	B-139392-0002
4418	Shaft - 10 Side Assembly	B-139392-0001
4419	Shaft - 13 Side Assembly	B-013968-0002

www.a-americanpressparts.com

Check our website for updates!

UNIT & HALF-DECK: INK SYSTEM



PNEUMATIC INK RAIL ASSEMBLY

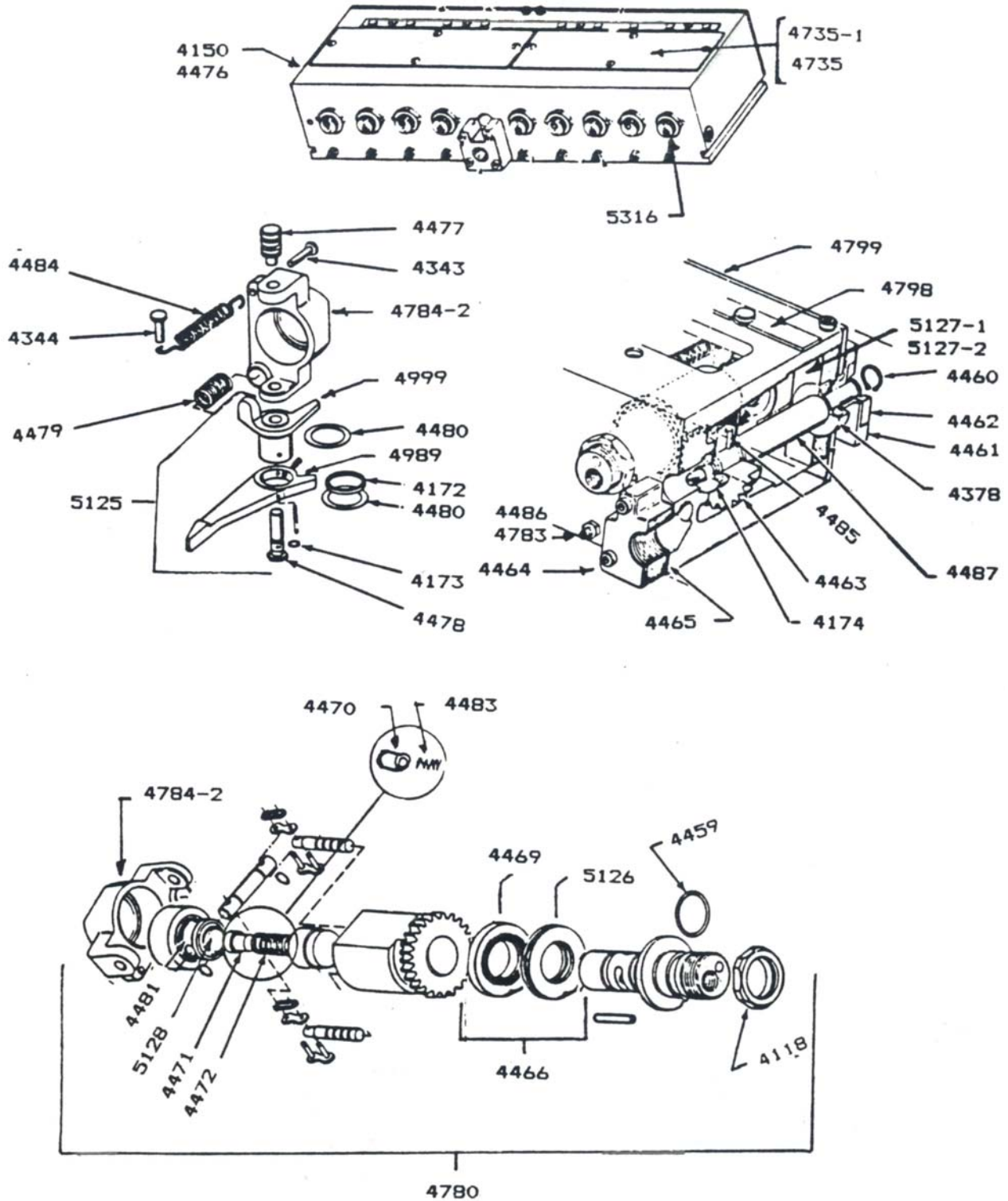
STOCK NO.	DESCRIPTION	GOSS PART NO.
4695	Air Cylinder	739905-2542
4696	Torsion Spring	C-100106-0001
4697	Torsion Spring	C-100106-0002
4698	Adjusting Screw	B-150418-0001
4699	Screw	891201-0250



1-888-434-0888
TOLL FREE

UNIT & HALF-DECK: NOTES

UNIT & HALF-DECK: INK SYSTEM



DOUBLE STROKE INK INJECTOR PAGE PAC ASSEMBLY



1-888-434-0888
TOLL FREE

UNIT & HALF-DECK: INK SYSTEM

DOUBLE STROKE INK INJECTOR PAGE PAC ASSEMBLY

STOCK NO.	DESCRIPTION	GOSS PART NO.
4118	Seal Nut	826378-2018
4150	Double Stroke Page Pac - New	F-004200-0111
4172	Oil Seal	891551-3033
4173	O-ring	C-040161-0006
4174	Bearing	722605-1128
4343	Clevis Pin	863308-1806
4344	Clevis Pin	863308-1804
4378	Bearing	722605-1066
4459	O-ring	885458-1018
4460	Retainer	C-040164-0050
4461	Coupling Flange	B-133069-0001
4462	Center Block	B-132914-6877
4463	Gear	B-130618-0001
4464	Ink Supply Connector	B-130040-6829
4465	Gasket	B-129437-0001
4466	Bearing & Seal Assembly	C-096034-0001
4469	Seal & Spacer Assembly	
4470	Swivel Button	B-145490-0001
4471	Swivel Button	B-128684-0001
4472	Swivel Button Spring	B-131215-0001
4476	Double Stroke Page Pac - Rebuilt	F-004200-0211
4477	Pivot Pin	B-128688-0001
4478	Connecting Pin	B-131727-0001
4479	Spring	B-132889-0001
4480	Washer	B-132908-0001
4481	Bearing	C-040106-5200
4483	Swivel Button Spring	B-145191-0001
4484	Spring	B-128982-0001
4485	Shear Pin	B-144969-0001
4486	Stop Screw	B-131452-0001
4487	Shaft	B-130771-0001
4735	Printed Cover	
4735-1	Plain Cover	
4780	Pump Assembly	
4783	Nut	C-040149-2528
4784-2	Swivel	
4798	Pivot Holddown Plate	C-078366-0001
4799	Back Plate	C-080455-0001
4989	Adjusting Lever Link	B-131728-0001
4999	Memory Link	B-131729-0001
5125	Memory Link Assembly	
5126	Thrust Bearing	
5127-1	Bearing Bracket - 4 Screw	B-130709-0001
5127-2	Bearing Bracket - 3 Screw	B-145906-0001
5128	Swivel	B-128685-0001
5316	Plug	B-131072-0001

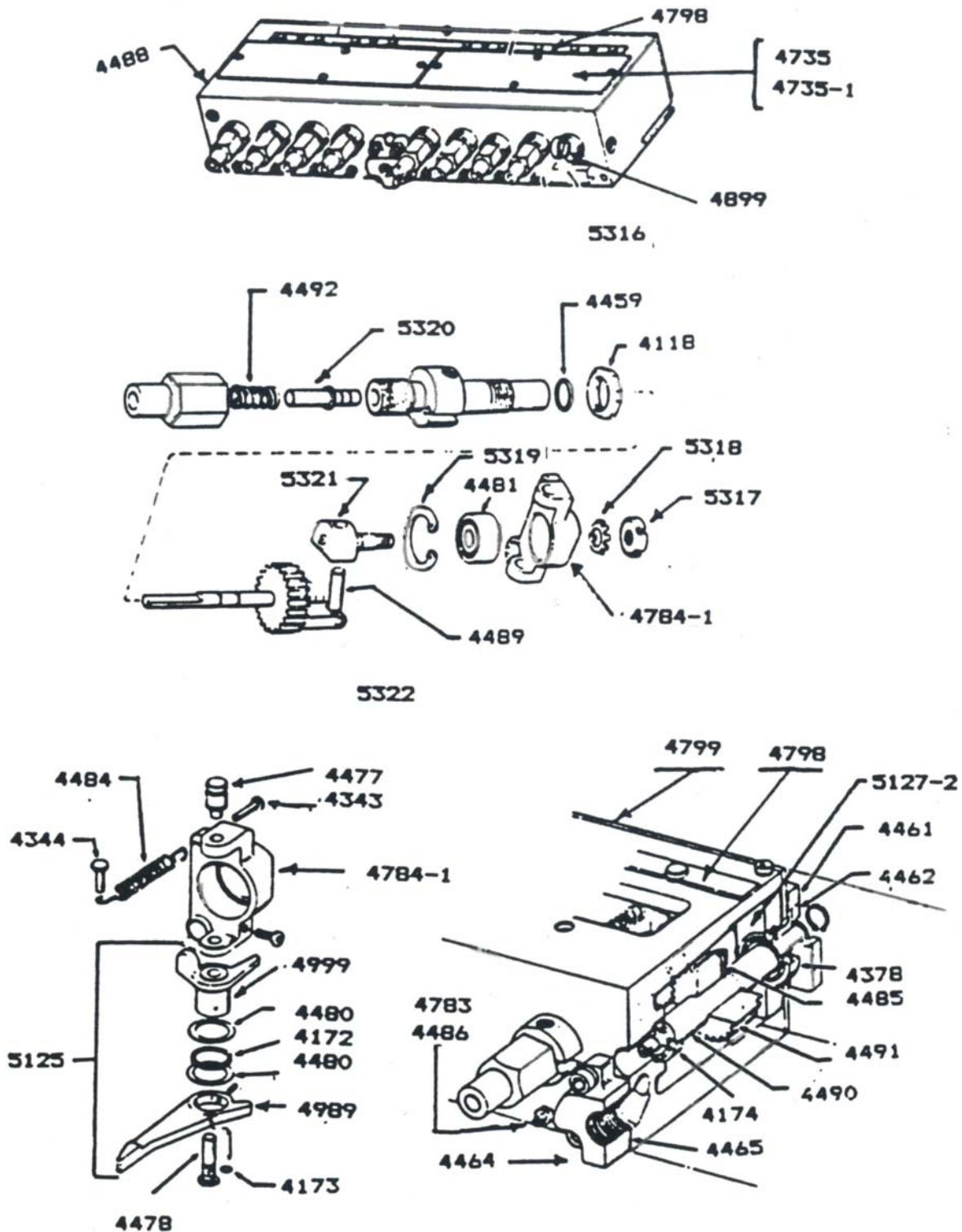
**** INK INJECTOR PAGE PAC REPAIRS AVAILABLE ****

**** NEW & REBUILT INK INJECTOR PAGE PACS AVAILABLE ****

www.a-americanpressparts.com

Check our website for updates!

UNIT & HALF-DECK: INK SYSTEM



SINGLE STROKE INK INJECTOR PAGE PAC ASSEMBLY



1-888-434-0888
TOLL FREE

UNIT & HALF-DECK: INK SYSTEM

SINGLE STROKE INK INJECTOR PAGE PAC ASSEMBLY

STOCK NO.	DESCRIPTION	GOSS PART NO.
4118	Seal Nut	826378-2018
4172	Oil Seal	891551-3033
4173	O-ring	C-040161-0006
4174	Bearing	722605-1128
4343	Clevis Pin	863308-1806
4344	Clevis Pin	863308-1804
4378	Bearing	722605-1066
4459	O-ring	885458-1018
4461	Coupling Flange	B-133069-0001
4462	Center Block	B-132914-6877
4464	Connector	B-130040-6829
4465	Gasket	B-129437-0001
4477	Pin	B-128688-0001
4478	Connecting Pin	B-131727-0001
4480	Washer	B-132908-0001
4481	Bearing	C-040106-5200
4484	Spring	B-128982-0001
4485	Shear Pin	B-144969-0001
4486	Adjusting Screw	B-131452-0001
4488	Single Stroke Ink Page Pac	004717-0111
4489	Swivel Pin	B-148588-0001
4490	Drive Shaft	C-100697-0001
4491	Gear	C-100695-0001
4492	Spring	897009-0374
4783	Nut	C-040149-2528
4784-1	Swivel	C-100696-0001
4798	Pivot Holddown Plate	C-078366-0001
4799	Back Plate	C-080455-0001
4899	Dip Stick	B-148826-0001
4989	Adjusting Lever Link	B-131728-0001
4999	Memory Link	B-131729-0001
5125	Memory Link Assembly	
5127-2	Bearing Bracket	B-145906-0001
5316-1	Plug	B-131072-0001
5317	Locknut	C-040123-0100
5318	Lockwasher	C-040124-0100
5319	Retaining Ring	885470-0904
5320	Piston	B-148506-0001
5321	Eccentric	C-100694-0001
5322	Pin	B-148725-0001

**** INK INJECTOR PAGE PAC REPAIRS AVAILABLE ****

**** NEW & REBUILT INK INJECTOR PAGE PACS AVAILABLE ****

www.a-americanpressparts.com

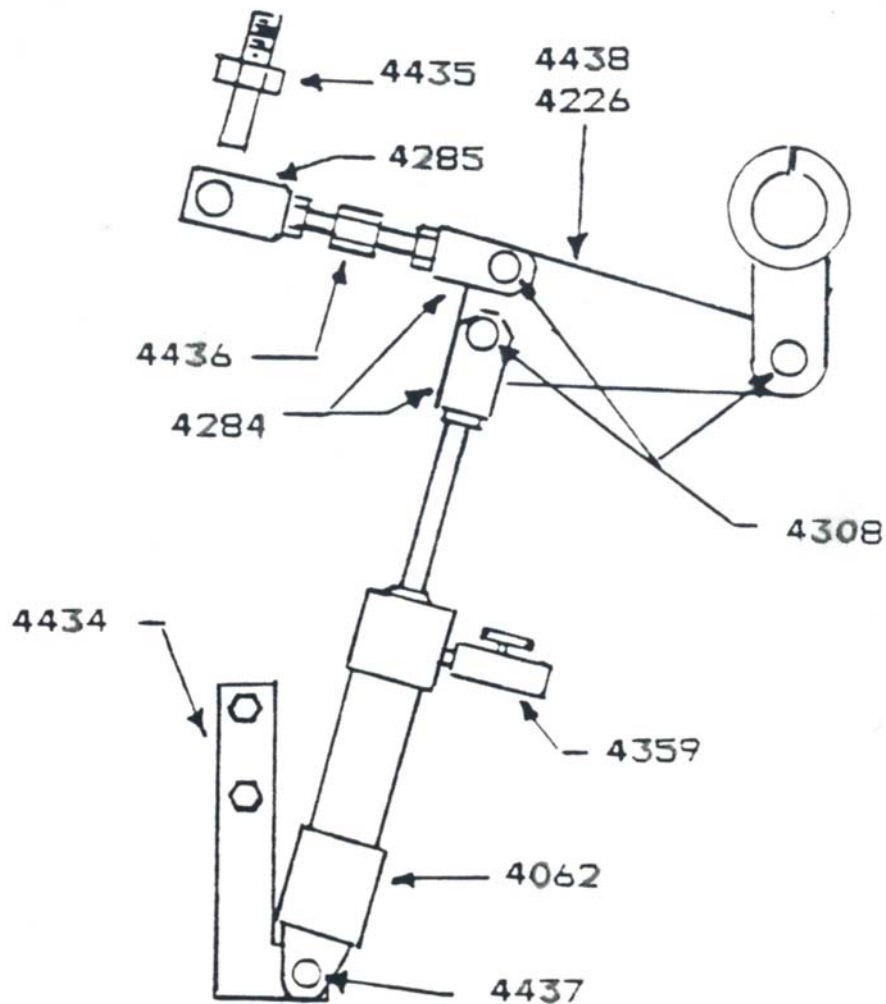
Check our website for updates!



1-888-434-0888
TOLL FREE

UNIT & HALF-DECK: NOTES

UNIT & HALF-DECK: INFEEED SYSTEM



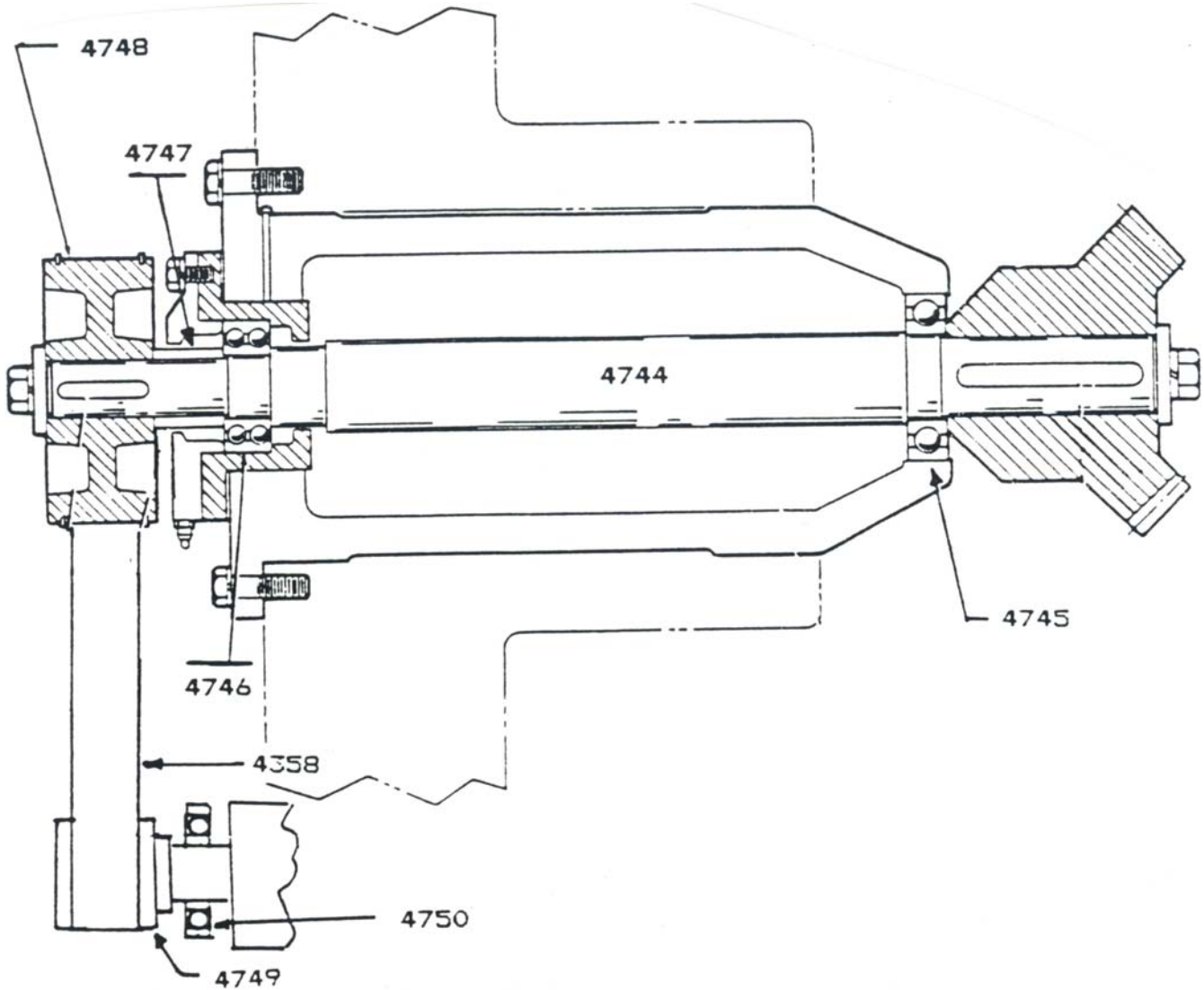
INFEEED LINKAGE

STOCK NO.	DESCRIPTION	GOSS PART NO.
4062	Air Cylinder	B-116658-0008
4226	Link	C-102033-0001
4284	Clevis	B-121259-0001
4285	Pivot	B-121254-0001
4308	Pin	B-121258-0001
4359	Air Control Valve	920500-0066
4434	Bracket	B-146265-0001
4435	Stud	B-121255-0001
4436	Turnbuckle	B-121257-0001
4437	Stripper Bolt	C-040131-3705
4438	Link	B-121261-0001

www.a-americanpressparts.com

Check our website for updates!

UNIT & HALF-DECK: INFEEED SYSTEM



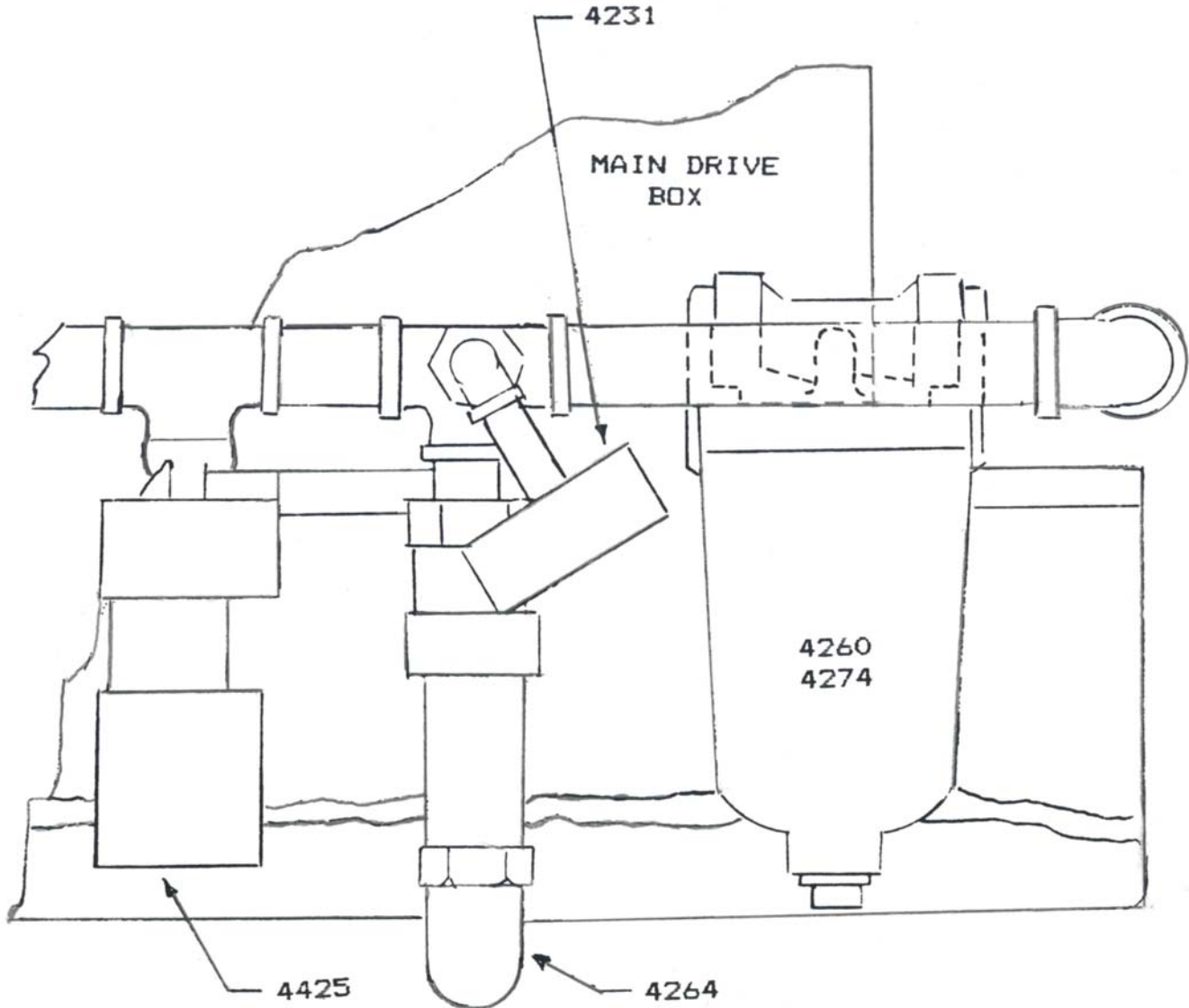
INFEEED DRIVE ASSEMBLY

STOCK NO.	DESCRIPTION	GOSS PART NO.
4358	Timing Belt	723675-0358
4744	Shaft	C-096800-0001
4745	Bearing	722605-0566
4746	Bearing	C-040108-5206
4747	Spacer	C-040064-2512
4748	Infeed Drive Pulley	B-146880-0001
4749	Infeed Roller Pulley	C-098160-0001
4750	Infeed Roller Bearing	722607-0116

www.a-americanpressparts.com

Check our website for updates!

UNIT & HALF-DECK: LUBRICATION SYSTEM



MAIN DRIVE BOX WITH GEAR DRIVEN PUMP

STOCK NO.	DESCRIPTION	GOSS PART NO.
4231	Pressure Gage	771500-0500
4260	Filter	762948-0081
4264	Relief Valve	920567-0014
4274	Filter Element	
4425	Pressure Switch	899765-0050

www.a-americanpressparts.com

Check our website for updates!

UNIT & HALF-DECK: LUBRICATION SYSTEM



GREASE HOSE ASSEMBLY

STOCK NO.	DESCRIPTION	GOSS PART NO.
4495	Grease Hose	787552-0014
4496 ALL H	Grease Hose Assembly, 18" lg.	**SPECIFICATIONS**
4497	Grease Hose Assembly, 24" lg.	
4498	Grease Hose Assembly, 36" lg.	
4499	Grease Hose Assembly, 48" lg.	



4155



4494



4156



4157






4493

GREASE HOSE FITTINGS

STOCK NO.	DESCRIPTION	GOSS PART NO.
4155	90^ Male Elbow	
4156	45^ Male Elbow	
4157	Male Branch Tee	C-040052-3221
4493	Male Straight Connector	
4494	Swivel Fitting	C-040050-3012

UNIT & HALF-DECK: AIR SYSTEM

HI-DUTY FITTINGS

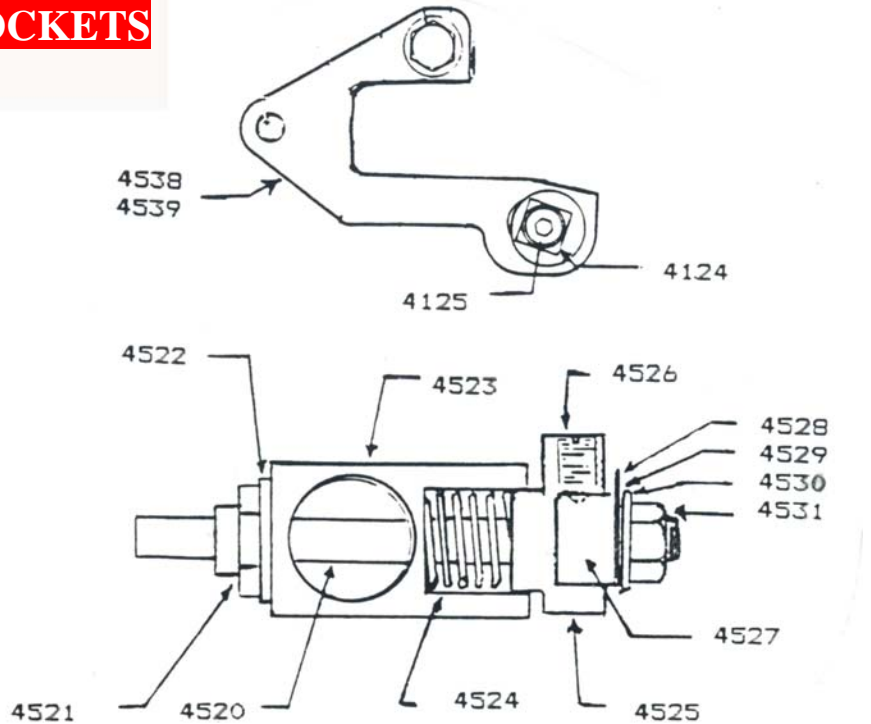
STOCK NO.	DESCRIPTION	GOSS PART NO.
9800	Nut (3/16" Tube)	
9801	Nut (1/4" Tube)	
9802	Nut (5/16" Tube)	
9803	Nut (3/8" Tube)	
9804	Nut (1/2" Tube)	
9805	Nut (5/8" Tube)	
9806	Nut (3/4" Tube)	
9807	Union (3/16" Tube)	
9808	Union (1/4" Tube)	
9809	Union (5/16" Tube)	
9810	Union (3/8" Tube)	
9811	Union (1/2" Tube)	
9812	Union (5/8" Tube)	
9813	Union (3/4" Tube)	
9814	Male Connector (3/16" Tube x 1/8" MPT)	
9815	Male Connector (1/4" Tube x 1/8" MPT)	
9816	Male Connector (5/16" Tube x 1/8" MPT)	
9817	Male Connector (3/8" Tube x 1/8" MPT)	
9818	Male Connector (3/8" Tube x 1/4" MPT)	
9819	Male Connector (1/2" Tube x 1/2" MPT)	
9820	Male Connector (5/8" Tube x 1/2" MPT)	
9821	Male Connector (3/4" Tube x 1/2" MPT)	
9822	Male Elbow (3/16" Tube x 1/8" MPT)	
9823	Male Elbow (1/4" Tube x 1/8" MPT)	
9824	Male Elbow (5/16" Tube x 1/8" MPT)	
9825	Male Elbow (3/8" Tube x 1/8" MPT)	
9826	Male Elbow (3/8" Tube x 1/4" MPT)	
9827	Male Elbow (3/8" Tube x 3/8" MPT)	
9828	Male Elbow (1/2" Tube x 1/4" MPT)	
9829	Male Elbow (1/2" Tube x 3/8" MPT)	
9830	Union Tee (3/16" Tube)	
9831	Union Tee (1/4" Tube)	
9832	Union Tee (5/16" Tube)	
9833	Union Tee (3/8" Tube)	
9834	Union Tee (1/2" Tube)	
9835	Union Tee (5/8" Tube)	
9836	Union Tee (3/4" Tube)	
9837	Male Branch Tee (3/16" Tube x 1/8" MPT)	
9838	Male Branch Tee (1/4" Tube x 1/8" MPT)	
9839	Male Branch Tee (5/16" Tube x 1/8" MPT)	
9840	Male Branch Tee (3/8" Tube x 1/8" MPT)	
9841	Male Branch Tee (3/8" Tube x 1/4" MPT)	



1-888-434-0888
TOLL FREE

UNIT & HALF-DECK: NOTES

UNIT & HALF-DECK: SOCKETS



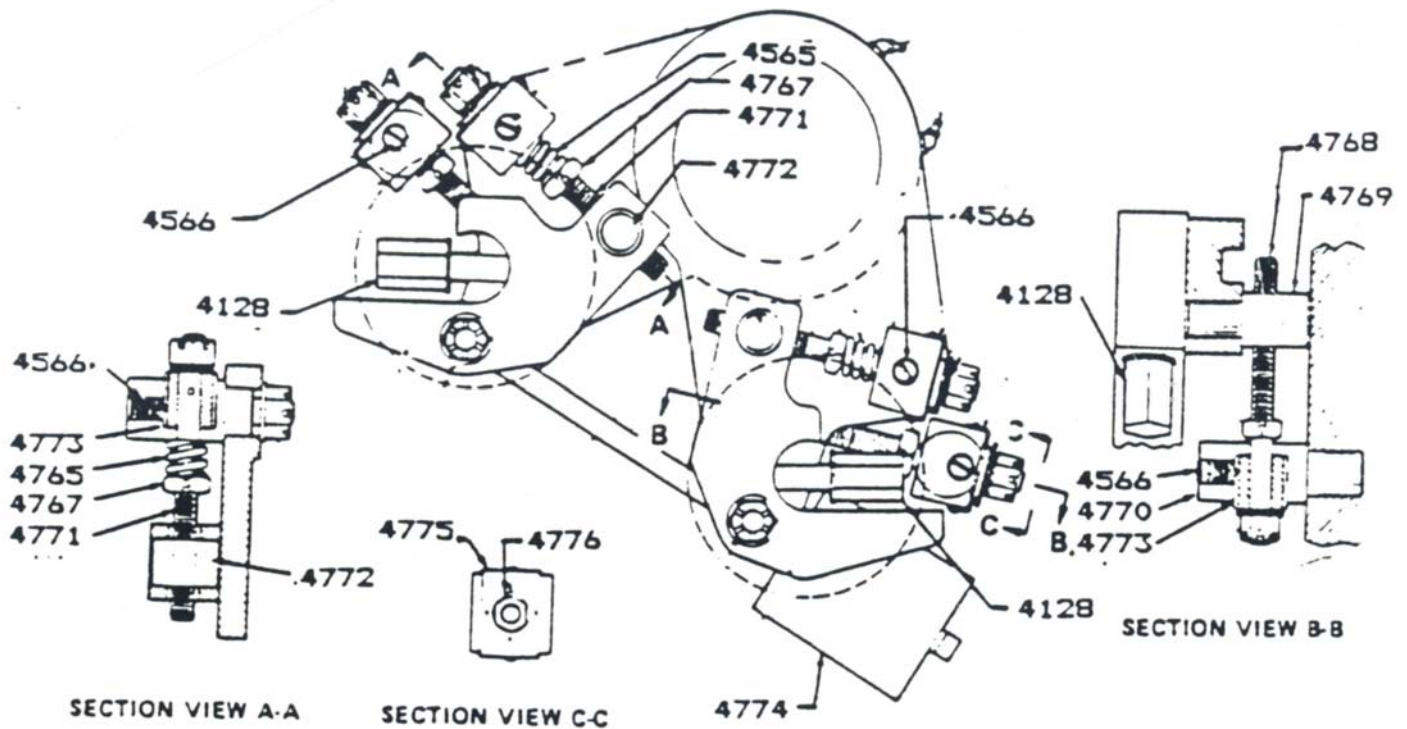
INK TRANSFER & INK TRAIN DAMPENER

STOCK NO.	DESCRIPTION	GOSS PART NO.
4124	Adjusting Cam - ITD Socket	
4125	Bolt - ITD Socket	
4520	Stud	B-146366-0001
4521	Nut	B-146364-0001
4522	Washer	B-146361-0001
4523	Body	C-097608-0001
4524	Spring	897009-0488
4525	Dial Body	B-146360-0001
4526	Plunger	865700-0260
4527	Gear Bar	B-146369-0003
4528	Pointer	B-146365-0001
4529	Wave Washer	930881-0178
4530	Washer	C-040072-2062
4531	Nut	B-146363-0001
4532 *	Assembly	
4533 +	Assembly	
4538 +	ITD Dampener Socket	D-032299-0001
4539 *	ITD Dampener Socket	D-034299-0002

* 10 Side Dr. & 13 Side Op.

+ 10 Side Op. & 13 Side Dr.

UNIT & HALF-DECK: SOCKETS



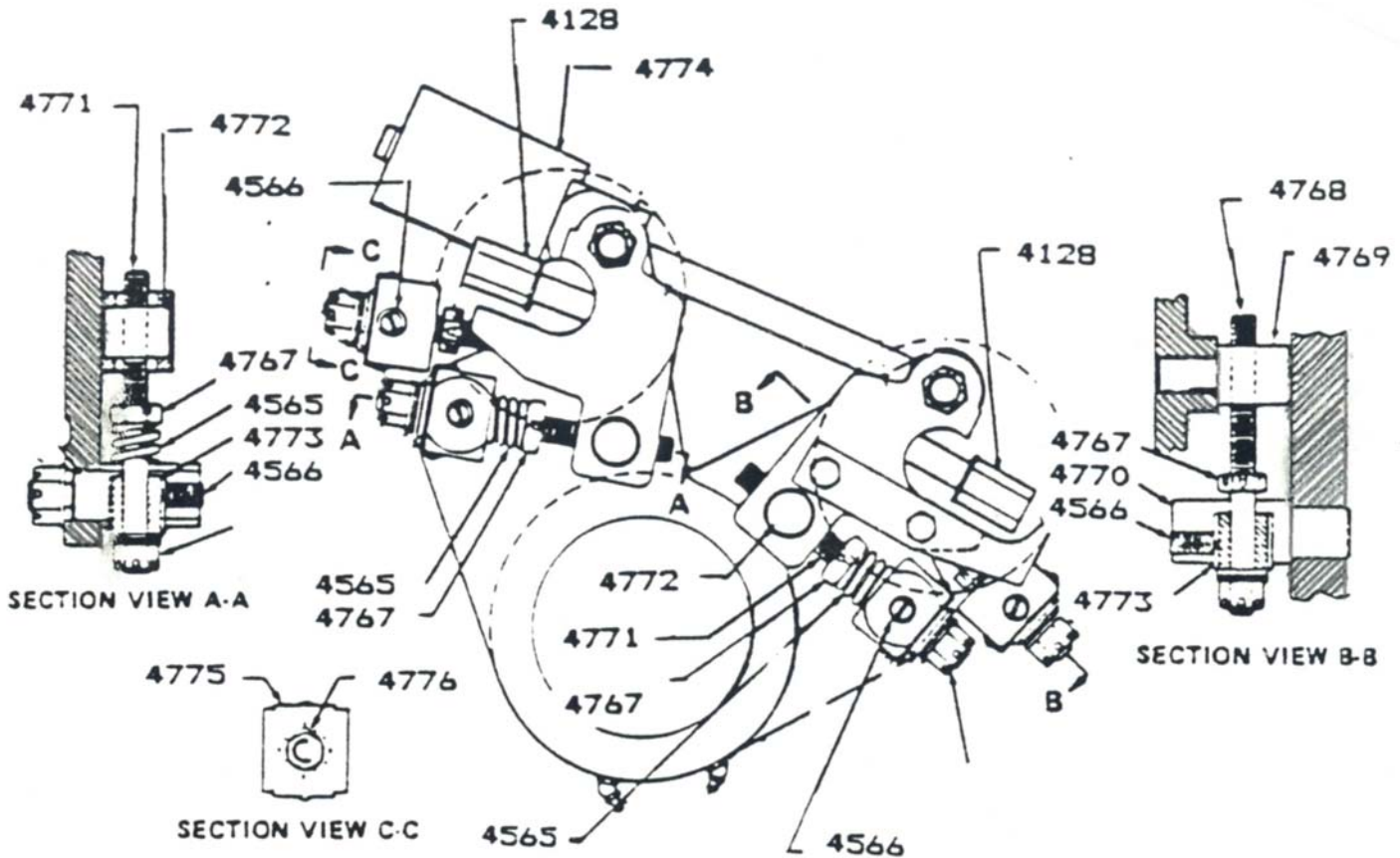
INK FORM ROLLER

STOCK NO.	DESCRIPTION	GOSS PART NO.
4128	Stud	B-146378-0001
4565	Spring	897009-0304
4566	Plunger	865700-0061
4767	Collar	B-133428-0001
4768	Adjusting Screw	B-146373-0001
4769	Adjusting Screw Post	B-146440-0001
4770	Adjusting Screw Post	C-097611-0001
4771	Adjusting Screw	B-146376-0001
4772	Pin Pivot	B-146368-0001
4773	Gear Bar	B-146369-0001
4774	Air Cylinder	B-146516-0001
4775	Dial	B-146374-0001
4776	Pointer	B-146365-0002

www.a-americanpressparts.com

Check our website for updates!

UNIT & HALF-DECK: SOCKETS



SOLID SHAFT ROLLER

STOCK NO.	DESCRIPTION	GOSS PART NO.
4128	Stud	B-146378-0001
4565	Spring	897009-0304
4566	Plunger	865700-0061
4767	Collar	B-133428-0001
4768	Adjusting Screw	B-146373-0001
4769	Adjusting Screw Post	B-146440-0001
4770	Adjusting Screw Post	C-097611-0001
4771	Adjusting Screw	B-146376-0001
4772	Pin Pivot	B-146368-0001
4773	Gear Bar	B-146369-0001
4774-000	Air Cylinder 8-1/2 Rod	B-146516-0001
4774-002	Air Cylinder 9-1/2 Rod	B-146516-0002
4774-003	Air Cylinder 11-1/2 Rod	B-146516-0003
4775	Dial	B-146374-0001
4776	Pointer	B-146365-0002



1-888-434-0888
TOLL FREE

UNIT & HALF-DECK: NOTES

UNIT & HALF-DECK: TOOLS & ACCESSORIES



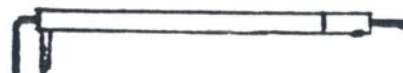
9001
9002



9007



9008



9009



9010
9052



9011



9033



9034



9037



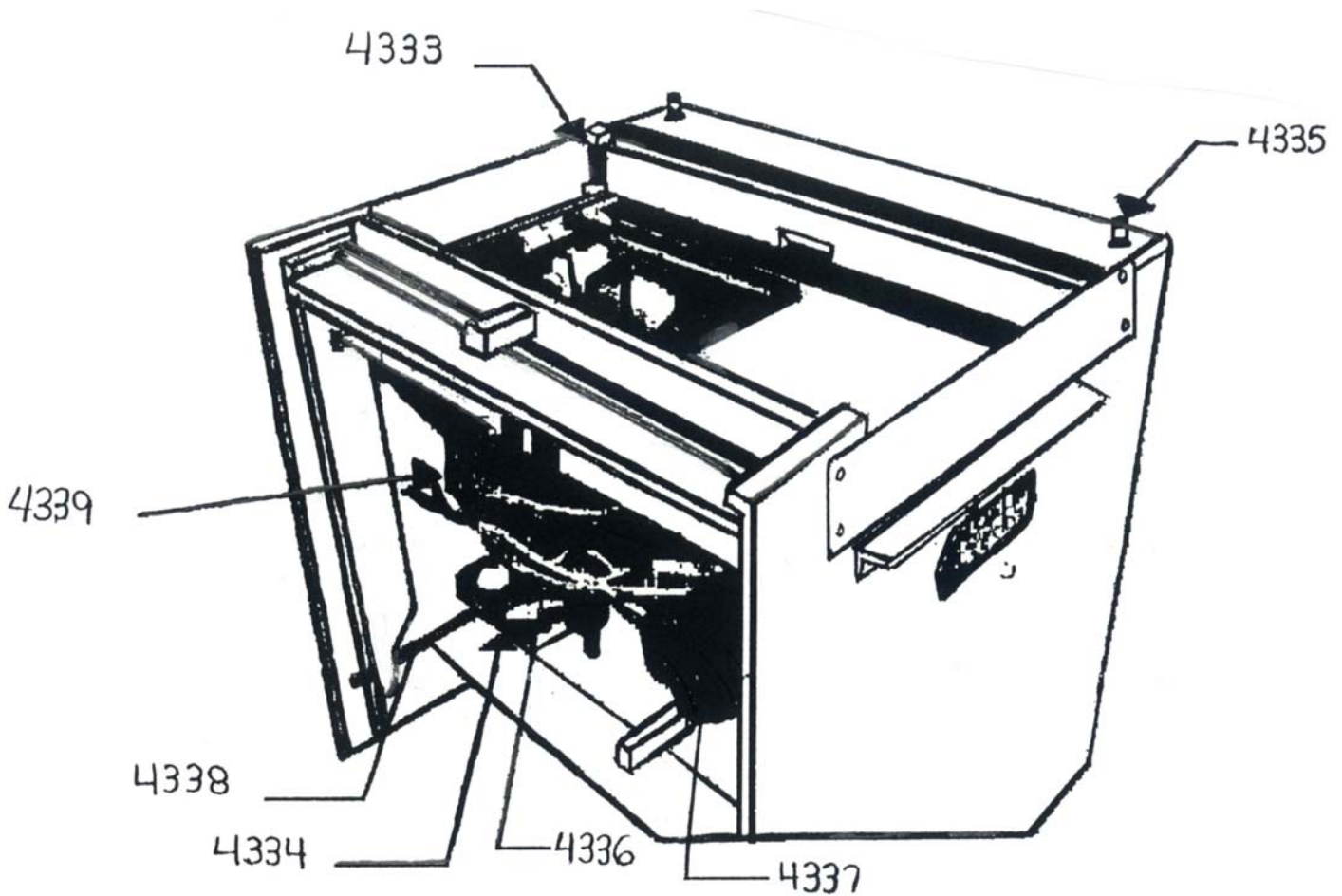
9051

METRO-LINER TOOLS

STOCK NO.	DESCRIPTION	GOSS PART NO.
9001 *	Blanket to Blanket Gage	B-118676-0004
9002 *	Blanket to Common Gage	B-118676-0001
9007	Unit Shifter Wrench	C-069288-0001
9008	Bearer Setting Tool	
9009	Ink Pac Zero Setting Tool	
9010 +	Blanket to Plate Gap Gage	C-096514-0001
9011	Plate Lock-up Wrench (Plain)	
9033	Plate Lock-up Wrench (w/Hook)	
9034	Torque Wrench	
9037	Squeegee (For Ink Rail)	
9051	ASO Rubber Roller Lifter	
9052 ^	Blanket to Plate Gap Gage	

* GO – NO - GO
 + 14-1/2" PRESS
 ^ 13-11/16" PRESS

UNIT & HALF-DECK: TOOLS & ACCESSORIES



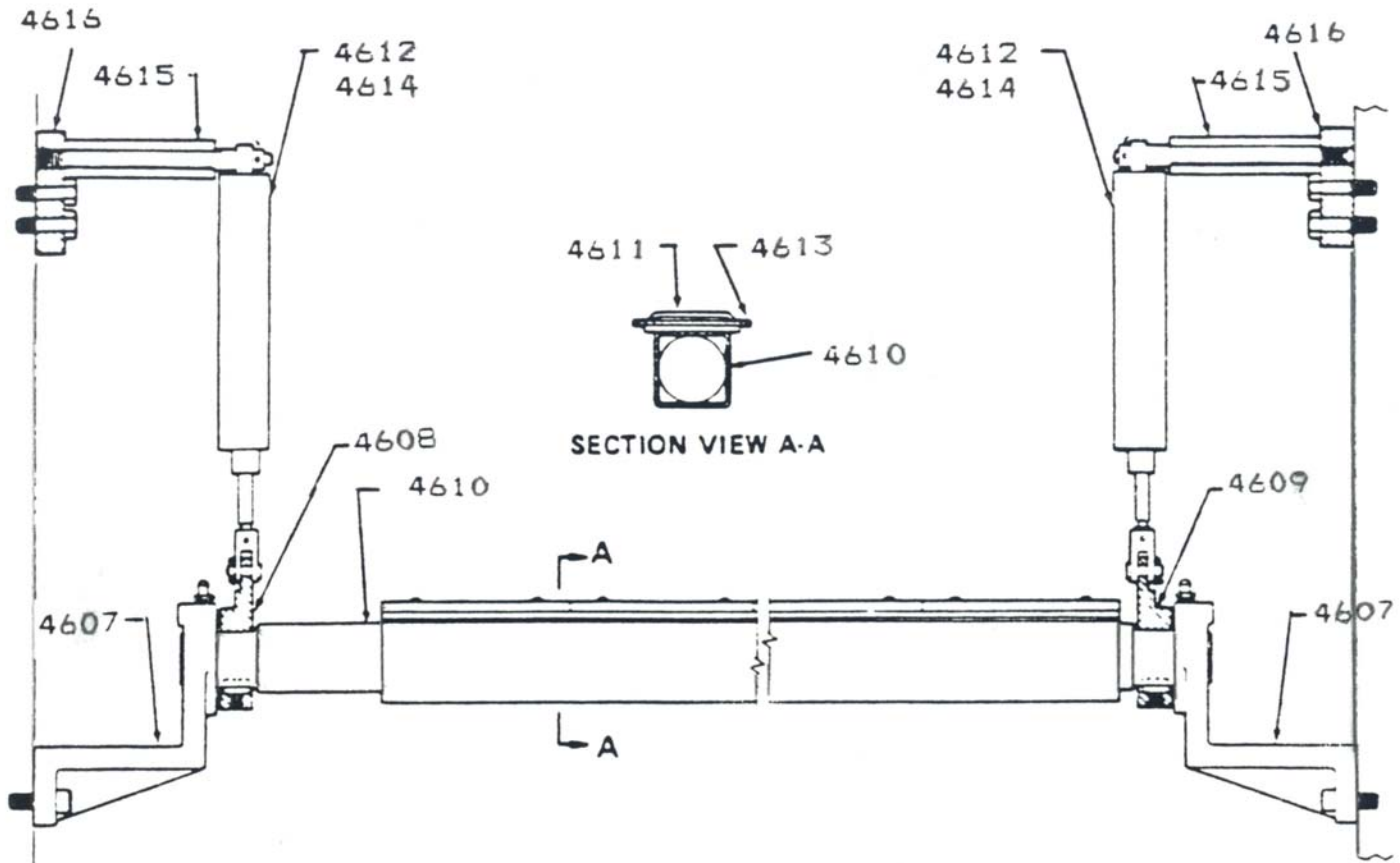
GREGG PLATE BENDER

STOCK NO.	DESCRIPTION	GOSS PART NO.
4333	Spring	
4334	Air Solenoid Manifold	
4335	Air Switch	
4336	Vacuum Pump	
4337	Air Cylinder	
4338	Spring	
4339	Cam Follower	

www.a-americanpressparts.com

Check our website for updates!

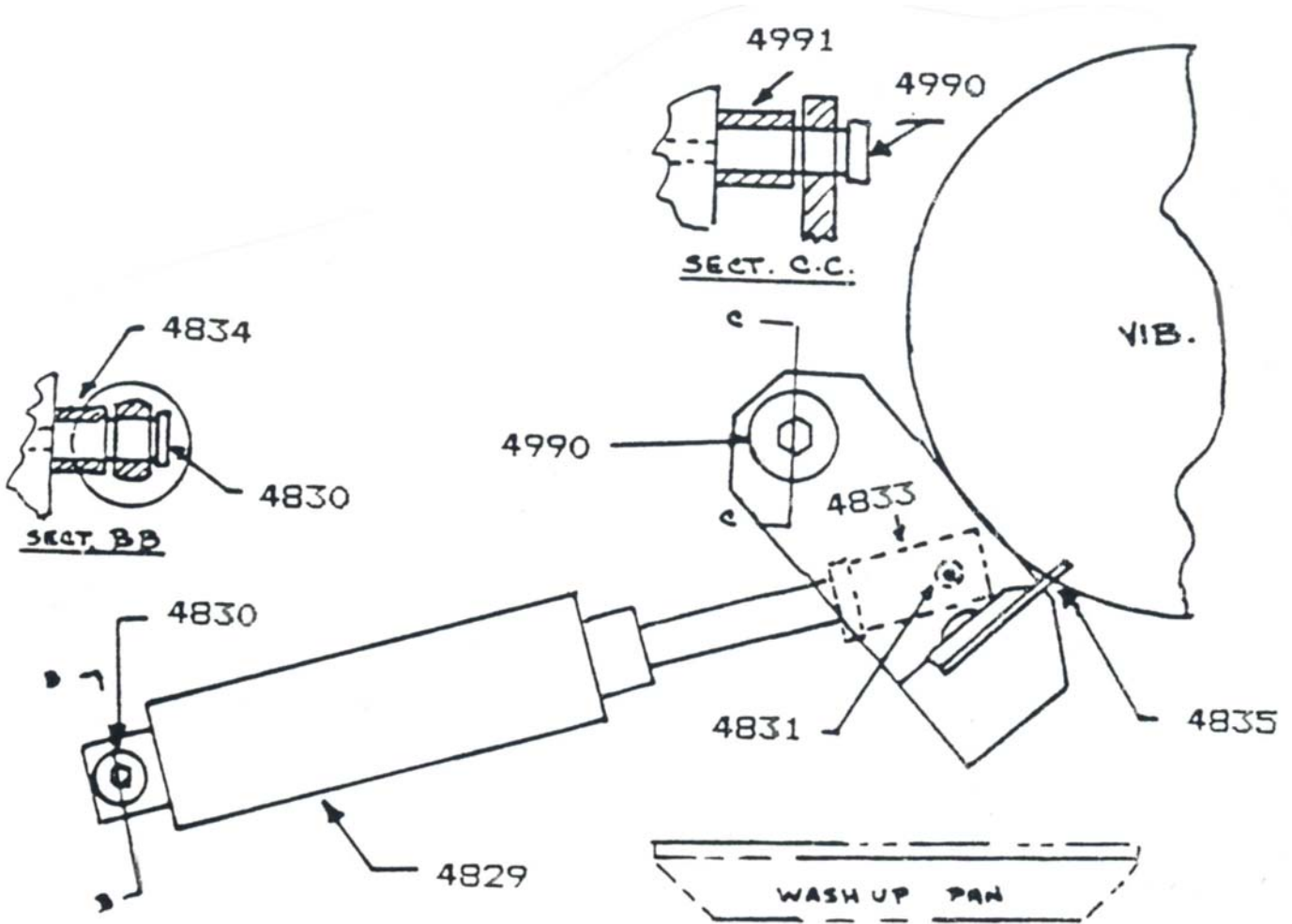
UNIT & HALF-DECK: WASH-UP DEVICE



PNEUMATIC WASHUP DEVICE • METRO-LINER I

STOCK NO.	DESCRIPTION	GOSS PART NO.
4607	Bracket	C-102339-0001
4608	Lever	C-097908-0001
4609	Lever	C-097908-0002
4610	Wiper Shaft	E-005391-0001
4611	Wash-up Blade Clamp	C-097565-0001
4612	Air Cylinder - Non-Rev.	C-101991-0001
4613	Plastic Blade	C-097320-0001
4614	Air Cylinder - Rev.	C-097909-0001
4615	Stand-Off Stud	B-146226-0001
4616	Stand-Off Stud Bracket	

UNIT & HALF-DECK: WASH-UP DEVICE



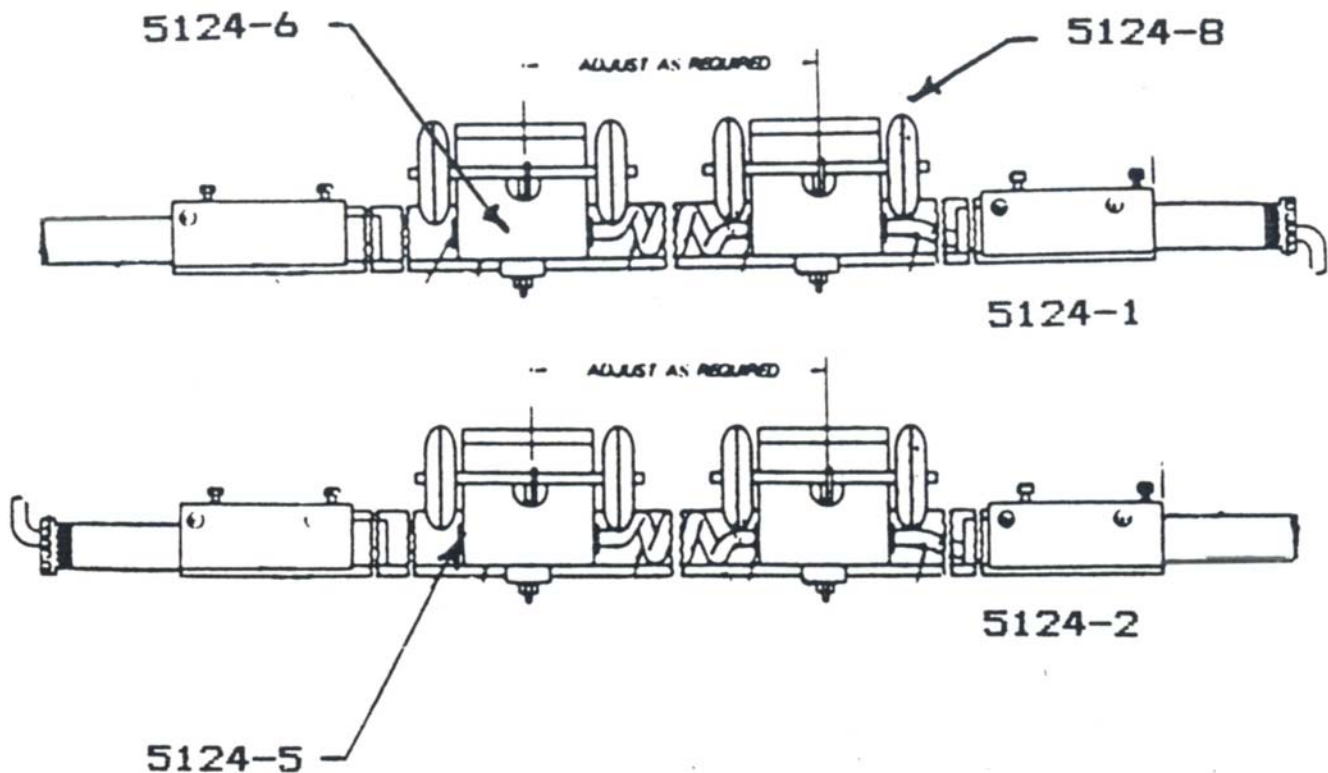
PNEUMATIC WASHUP DEVICE • METRO-LINER II

STOCK NO.	DESCRIPTION	GOSS PART NO.
4829	Air Cylinder	739902-1520
4830	Stripper Bolt	C-040131-3712
4831	Stripper Bolt	C-040131-3706
4833	Rod End	B-151495-0001
4834	Spacer	B-151502-0001
4835	Scraper Blade	C-105967-0001
4990	Stripper Bolt	C-040131-7520
4991	Spacer	C-040064-1612

www.a-americanpressparts.com

Check our website for updates!

UNIT & HALF-DECK: ELECTRICAL SYSTEM



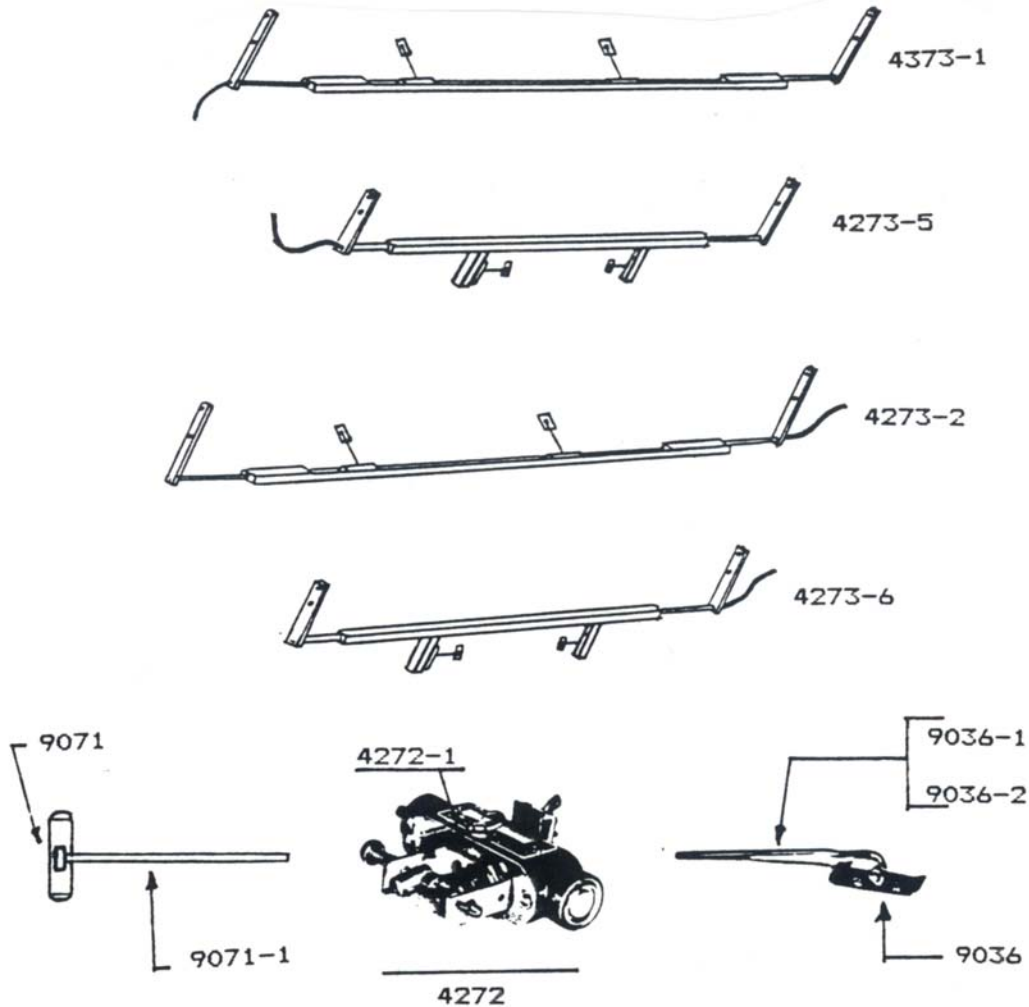
TROLLEY ASSEMBLY

STOCK NO.	DESCRIPTION	GOSS PART NO.
4858	Trolley Relay Box Assembly	
5124-1	Trolley Assembly w/ Bar (RH)	
5124-2	Trolley Assembly w/ Bar (LH)	
5124-5	Single Trolley	
5124-6	Trolley Coil	
5124-7	Trolley Relay	
5124-8	Rubber Wheel	

www.a-americanpressparts.com

Check our website for updates!

UNIT & HALF-DECK: ELECTRICAL SYSTEM



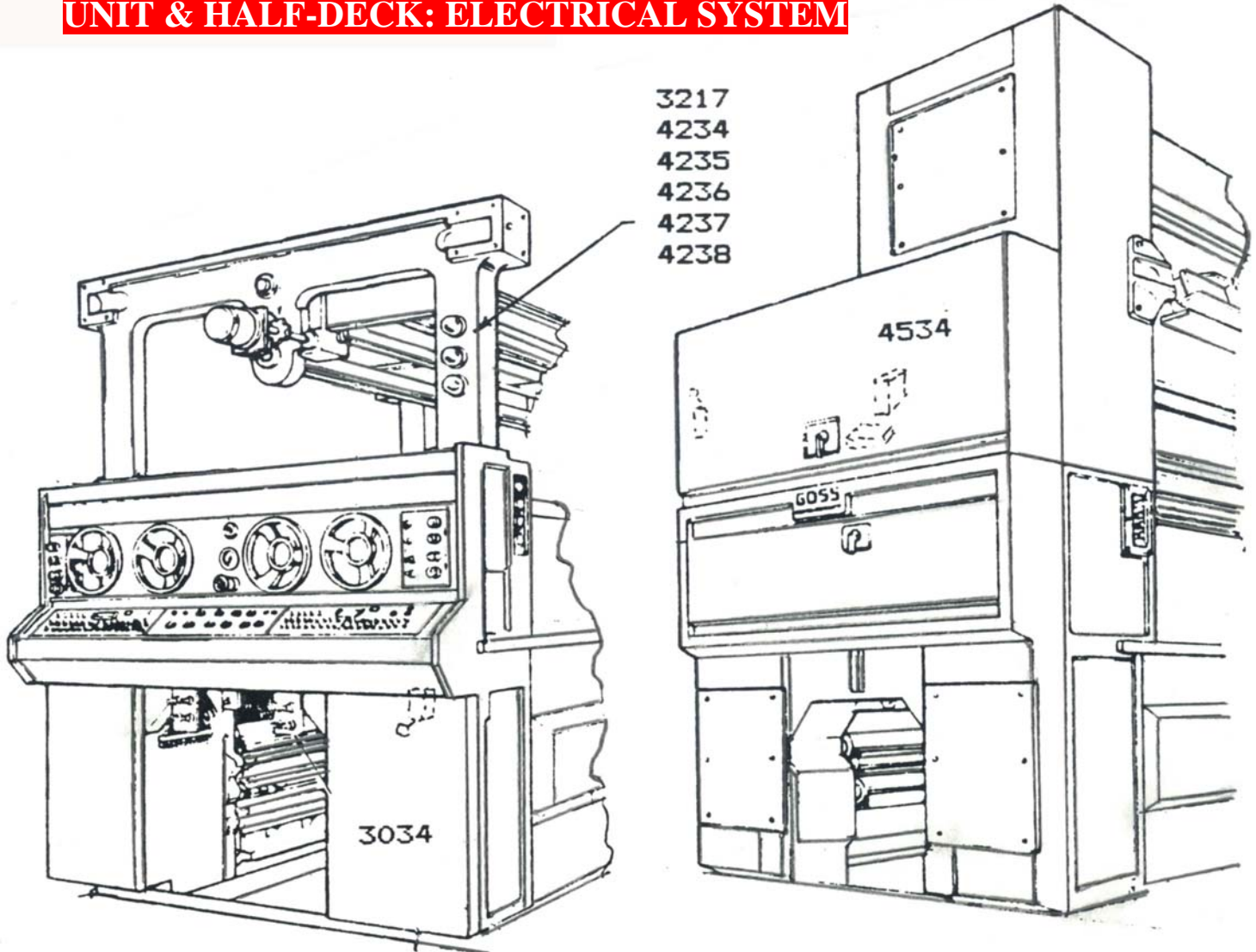
WEB BREAK DETECTORS

STOCK NO.	DESCRIPTION	GOSS PART NO.
4272	Single Detector	
4272-1	Detector Micro-Switch	
4273-1	Detector Assy - Vert. Paddle w/ Bar (LH)	
4273-2	Detector Assy - Vert. Paddle w/ Bar (RH)	
4273-5	Detector Assy - Horz. Paddle w/ Bar (LH)	
4273-6	Detector Assy - Horz. Paddle w/ Bar (RH)	
9036	Paddle (1" wide)	
9036-1	Arm (7" long)	
9036-2	Arm (6" long)	
9071	Paddle (1/2" wide)	
9071-1	Arm (9" long)	
4272-003	Spring	

www.a-americanpressparts.com

Check our website for updates!

UNIT & HALF-DECK: ELECTRICAL SYSTEM



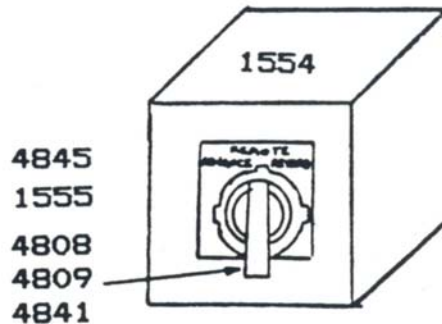
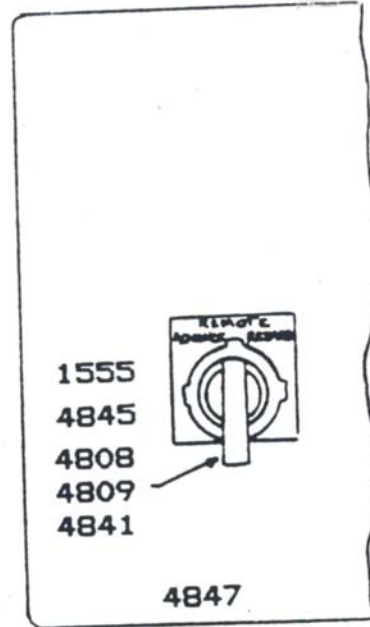
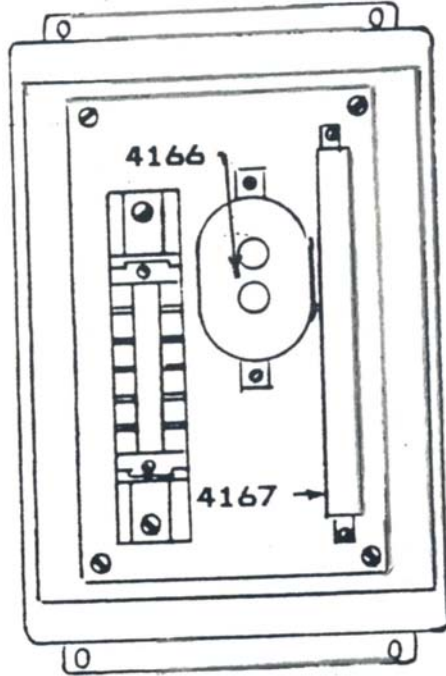
ELECTRICAL SAFETY SYSTEM

STOCK NO.	DESCRIPTION	GOSS PART NO.
3034	Limit Switch - Impression Air Cylinder	899751-8231
3217	Indicating Lamp Base	C-075224-0007
3218	Signal Light Lens (Amber)	C-075224-0009
4234	Signal Light Lens (Red)	C-075224-0003
4235	Signal Light Lens (Green)	C-075224-0004
4236	Signal Light Lens (Clear)	C-075224-0005
4237	Signal Light Lens (White)	C-075224-0006
4238	Signal Light Lens (Blue)	C-075224-0002
4534	Proximity Switch	899700-8075

www.a-americanpressparts.com

Check our website for updates!

UNIT & HALF-DECK: ELECTRICAL SYSTEM



REMOTE COMPENSATOR CONTROL BOX • 1 WAY

STOCK NO.	DESCRIPTION	GOSS PART NO.
1554	Remote Control Box	
1555	Selector Switch	C-080225-0001
4166	Capacitor	731160-6125
4167	Resister	D-017812-0281
4808	Contact Block	C-080226-0005
4809	Contact Block	C-080226-0001
4841	Selector & Actuator	
4845	Actuator	
4847	Remote Comp. Control Box (1 way)	D-032869-0001



1-888-434-0888
TOLL FREE

UNIT & HALF-DECK: NOTES