



SINGLE WIDE MASTER CATALOG
GOSS COMMUNITY UNIT
GOSS COMMUNITY FOLDER

(Click on the name to be taken to that section)

SEE THE LIGHT

For PRESSROOM SAVINGS



888-434-0888
Toll Free

**Stocking Manufacturer of
Quality Replacement Parts**

(815) 965-0884 Fax (815)965-1049



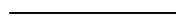
Welcome to the Quality and Service of A-American Press Parts Division. This Catalog is offered to our customers as an easy reference which will assist you in ordering your replacement parts. For your convenience it has been assembled in an ADOBE ACROBAT .PDF format with the following sections: Community Unit and Community Folder. This is not a complete listing of all parts that are available, as many parts have varying detail numbers based on the type of equipment you have, the age of your equipment and the Model Revision of your equipment. If you do not find precisely what you are looking for please contact us and make use of our service department's combined 70 years of experience with Goss Equipment.

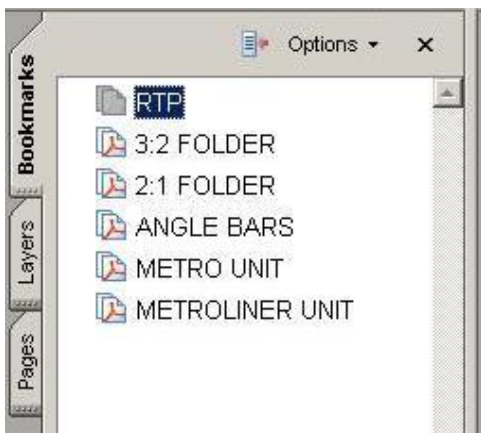
We are committed to offering our customers replacement parts of the highest quality and all parts are manufactured to meet or exceed O.E.M. specifications. If for any reason you are not completely satisfied with any product purchased you may return it for replacement, refund or credit.

MISSION STATEMENT

**To offer the Newspaper industry
excellent service and delivery
of the highest quality replacement components
for printing presses and their related equipment.**

Bookmarks!

For your convenience we have added **bookmarks** to make it easier to navigate through these catalogs. If you look to the left side of the Adobe Acrobat Reader Window you will see this button:  Click this button to open the bookmarks window.

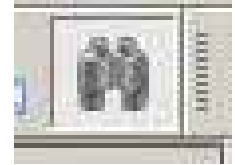


With this window open you may now click to go to any catalog you wish at any time. On each catalogs Table of Contents you will find page numbers that you can click on to be taken to any given page.

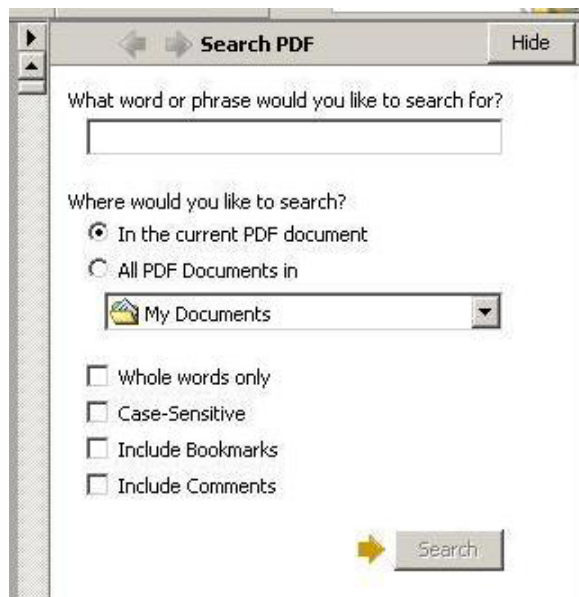
New Feature!

SEARCHABILITY

Using the Adobe Acrobat Reader we have added the ability to do searches within the parts catalog. You may search based upon the part description, the O.E.M part #, or the A-American part #. If you look to the top menu bars of the Adobe Acrobat Reader Window you will see this button:



Click this button to open the search window.



With this window open you may now search all the catalogs simultaneously. You will see every instance that your search query appears within the catalogs.

**** See our Search Tips on the next page****

Search Tips!

Once you have the search window open you can now begin searching based on part description, O.E.M. part #, or A-American part #.

Part Description

Be as general as you possibly can. If you do not find what you are looking for try other general terms. For example if you do not find Knife Box Cushions, try using Cushions or try using Cheekwoods.

O.E.M. Part #

Goss has used letters and dashes at the beginning of many part numbers to signify the size drawing that a part comes from. You may find it easier to just search using the six digit portion of the part number. Additionally Goss has used many detail numbers (-xxxx the last four digits) to signify various differences between parts and models and revisions. Again, you may find it easier to just search using the six digit portion of the part number.

A-American Part #

A-American has included detail numbers also (-xxx the last three digits) to signify various differences between parts, models revisions, upgrades and improvements. You may find it easier to search using just the four or five digit part number. For example 1523-000 or 1523-00T you may find it easier to search using the 1523.



1-888-434-0888
TOLL FREE

GOSS COMMUNITY UNIT

Table of Contents

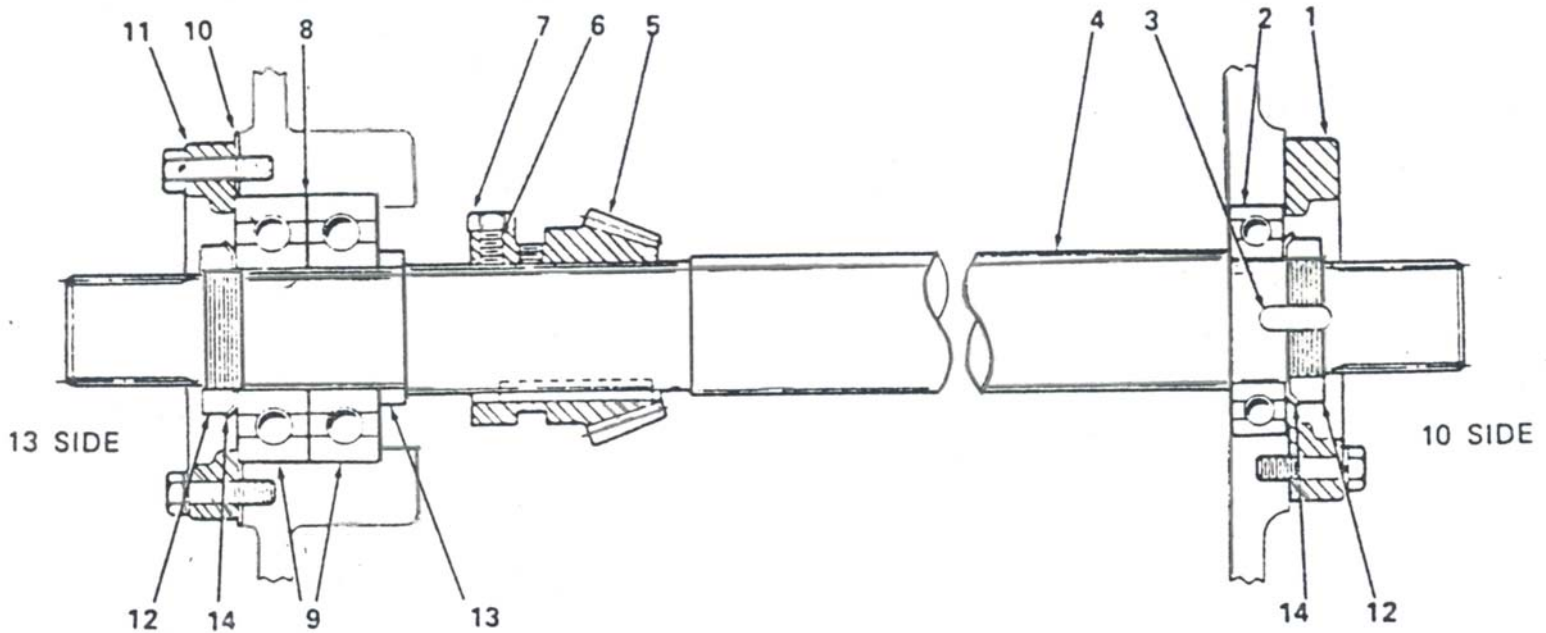
Title:	Page
Horizontal Drive Assembly	<u>3</u>
Horizontal Drive Clutch - Flexible - Unit to Unit	<u>4</u>
Balnket Cylinder Throwoff Linkage - Old Style	<u>5</u>
Balnket Cylinder Throwoff Linkage - Drive Side - New Style	<u>6</u>
Blanket Cylinder Assembly without Circumferential	<u>7</u>
Plate Cylinder Assembly without Circumferential - 10 Side	<u>8</u>
Plate Cylinder Assembly - 13 Side	<u>9</u>
Plate Cylinder Lockup Assembly - 22-100" Print Length	<u>10</u>
Plate Cylinder Lockup Assembly - 21-3/4" Print Length	<u>11</u>
Ink Fountain Assembly - Fixed Type	<u>12</u>
Ink Fountain Assembly - Swing Down Type	<u>13</u>
Ink Fountain Roller Assembly	<u>14</u>
Ink Vibrator / Ink Fountain Drive Assembly	<u>15</u>
Main and Auxiliary Ink Drums	<u>16</u>
Ink Feed Roller and Throwoff Assembly - New Style	<u>17</u>
Ink Feed Roller and Throwoff Assembly - Old Style	<u>18</u>
Ink Transfer Roller	<u>19</u>
Ink Form Rollers	<u>20</u>
Ink and Dampener Form Roller Sockets	<u>21</u>
Ink Transfer Roller Sockets	<u>22</u>
Dampener Feed Roller Socket	<u>23</u>
Back-to-Back Register Gear Rim	<u>24</u>



1-888-434-0888
TOLL FREE

Dampener Fountain Roller Assembly	<u>25</u>
Dampener Fountain Pan & Water Stop Assembly	<u>26</u>
Intermediate Dampener Drum Gear	<u>27</u>
Dampener Drum Vibrator Assembly	<u>28</u>
Dampener Feed Roller Assembly	<u>29</u>
Dampener Form Roller Assembly	<u>30</u>
Ink & Dampener form Roller Throwoff Assembly	<u>31</u>
Paper Roll Shaft Assembly	<u>32</u>
Paper Roll Sidelay, Tension Control & Brake	<u>33</u>
Lead-in Roller Assembly	<u>34</u>
Lead-in Roller & Idler Roller Assembly	<u>35</u>
Governor Roller & Lead-in Roller Assembly	<u>36</u>
Roller Bracket & Compensator Assembly	<u>37</u>
Washup Device	<u>38</u>

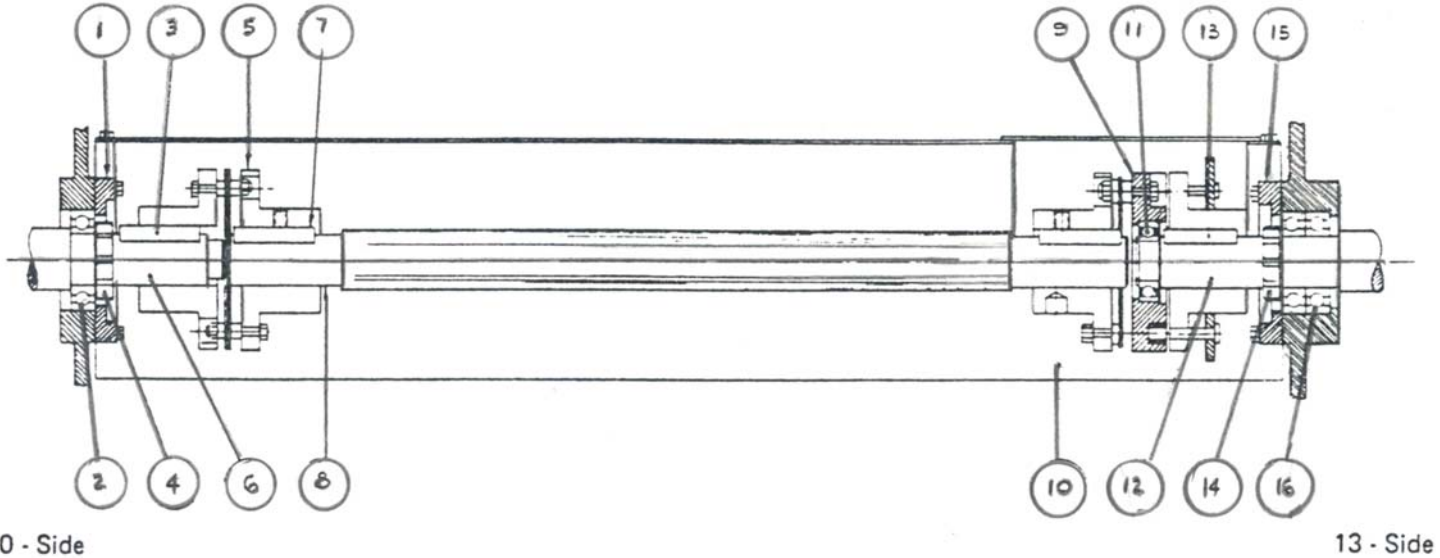
COMMUNITY UNIT



HORIZONTAL DRIVE ASSEMBLY

NO.	STOCK NO.	DESCRIPTION	GOSS PART NO.
1	40526	End Plate	C-110112
	40527	End Plate	B-120009
	40820	End Plate	B-144269
2	40107	Bearing	579-722605
3	40821	Square Key	76C-040003
4	40085	Drive Shaft (Grease)	C-060746
	40086	Drive Shaft (Oil)	C-070381
5	40055	Spiral Bevel Gear (Grease)	C-062029
	40056	Spiral Bevel Gear (Oil)	C-070178
6	40032	Spotting Set Screw	2B-105603
7	40076	Jam Nut	3716C-040149
8	40528	Shim	B-120142
9	40108	Bearing	616-722605
10	40529-5	Shim	5B-120395
	40822	Shim	5B-121464
11	40529	End Plate	B-120395-1
	40823	End Plate	B-149311
12	40217	Locknut	109C-040123
13	40530	Spacer	4003C-040065
14	40216	Lockwasher	109C-040124

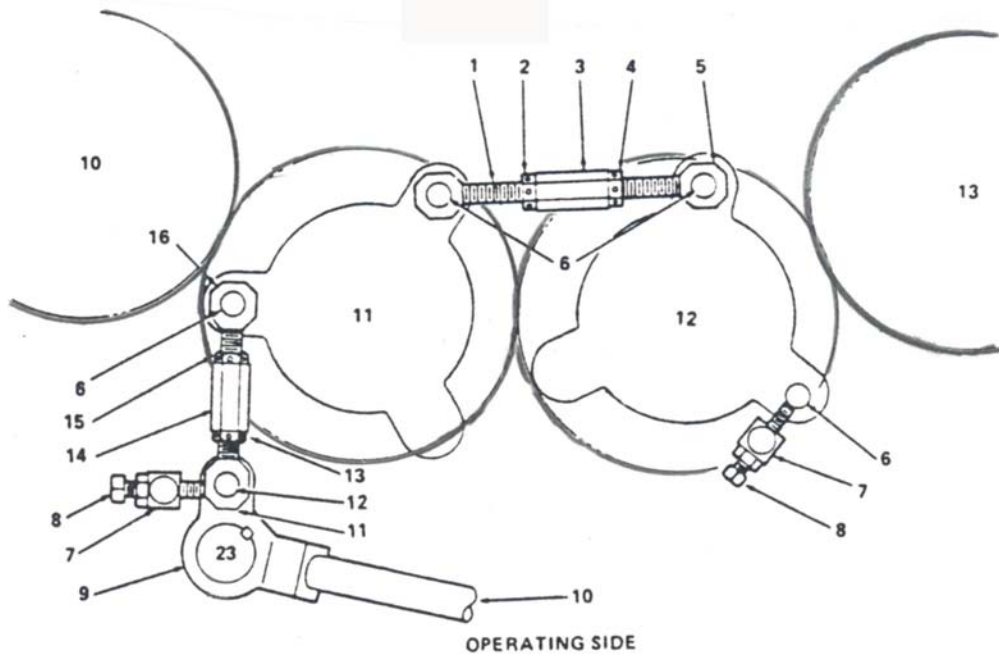
COMMUNITY UNIT



HORIZONTAL DRIVE CLUTCH - FLEXIBLE - UNIT TO UNIT

NO.	STOCK NO.	DESCRIPTION	GOSS PART NO.
1	40527	End Plate	B-120009
	40526	End Plate	C-110112
2	40147	Bearing - 10s	573-722605
3	40531	Key	222C-040003
4	40216	Lockwasher & Nut	109C-040124 C109C-040123
5	40536	Coupling	100-112663
6	40086	Unit Shaft	4913-070381
7	40532	Key	246C-040003
8	40533	Intermediate Shaft	1C-090092
9	40534	Flexible Drive Clutch	400-112663
10	40535	Cover	100-086273
11	40118	Bearing	6208C-040104
12	40086	Unit Shaft	4913-070381
13	40531	Key	222C-040003
14	40216	Lockwasher	109C-040124
	40217	Nut	109C-040123
15	40529	End Plate	B-120395
16	40108	Bearing - 13s	616-722605

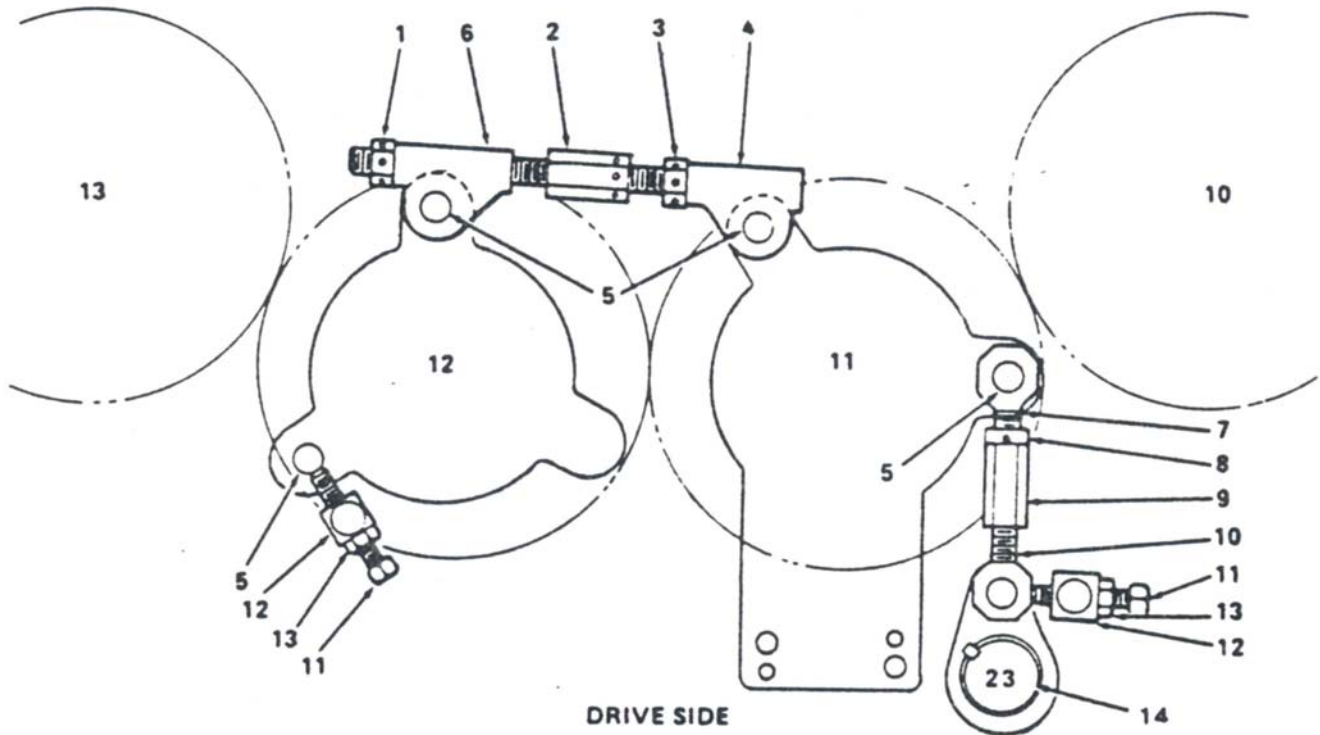
COMMUNITY UNIT



BALNKET CYLINDER THROWOFF LINKAGE - OLD STYLE

NO.	STOCK NO.	DESCRIPTION	GOSS PART NO.
1	40446-2	Swing Bolt - LH Thread	2B-108417
2	40537	Locknut - LH Thread	868-846548
	40542-2	Locknut - LH Thread	2B-143754
3	40539	Turnbuckle	B-108416
	40824	Turnbuckle	1B-1437555
4	40538	Locknut - RH Thread	867-846548
	40542-1	Locknut - RH Thread	1B-143754
5	40446-1	Swing Bolt - RH Thread	4B-108417
6	40540	Pin	B-108420
7	40057	Poppet	B-108418
8	40077	Set Screw	3716C-040145
9	40541	Throwoff Lever	B-108414
10	40542	Throwoff Handle	B-108419
11	40446-2	Swing Bolt - LH Thread	2B-108417
12	40543	Pin	B-109116
13	40542-2	Locknut - LH Thread	2B-143754
	40537	Locknut - LH Thread	868-846548
14	40539	Turnbuckle	B-108416
15	40537	Locknut - RH Thread	867-846548
	40542-1	Locknut - RH Thread	1B-143754
16	40446-3	Swing Bolt - RH Thread	3B-108417

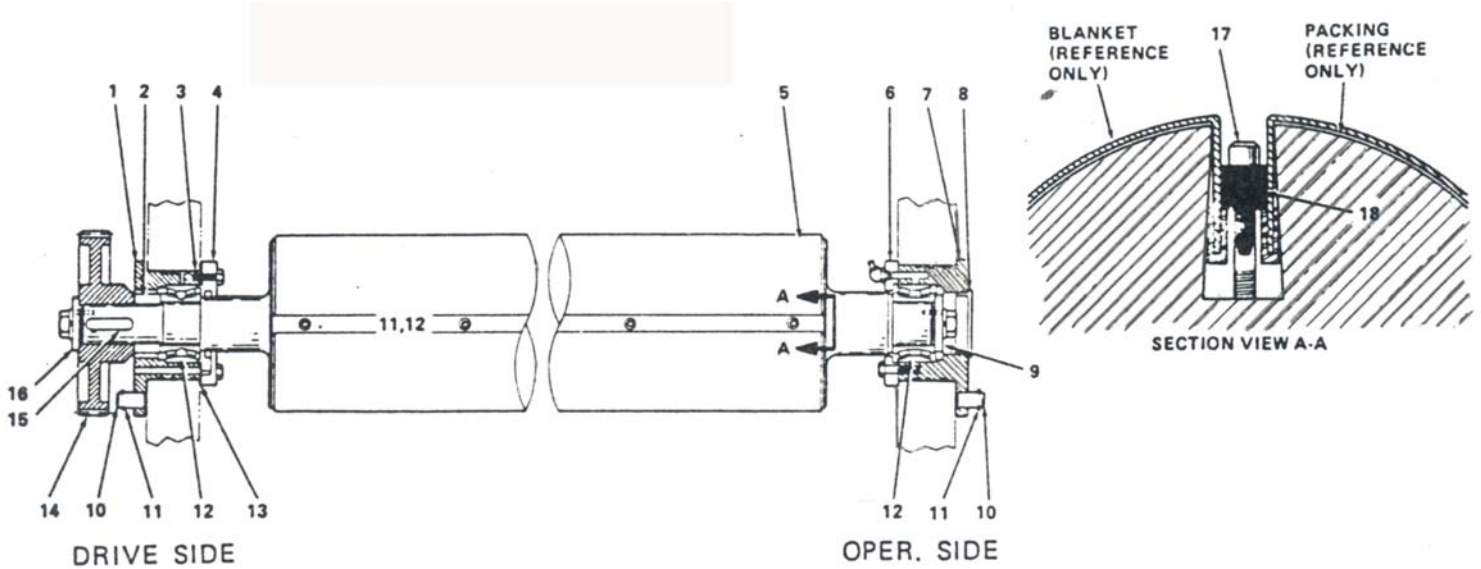
COMMUNITY UNIT



BALNKET CYLINDER THROWOFF LINKAGE - DRIVE SIDE - NEW STYLE

NO.	STOCK NO.	DESCRIPTION	GOSS PART NO.
1	40524-1	Locknut - RH Thread	1B-143754
2	40543	Adjusting Screw	B-143753
3	40542-2	Locknut - LH Thread	2B-143754
4	40544-2	Swing Nut - LH Thread	2B-143752
5	40540	Pin	B-108420
6	40544-1	Swing Nut - RH Thread	1B-143752
7	40446-3	Swing Nut - RH Thread	3B-108417
8		Locking Washer	1B-116103
9	40539	Turnbuckle	B-108416
10	40446-1	Swing Bolt - LH Thread	1B-108417
11	40077	Set Screw	3716C-40145
12	40057	Poppet	B-108418
13	40076	Jam Nut	3716C-040149
14	40541	Throwoff Lever	1B-108414

COMMUNITY UNIT



BLANKET CYLINDER ASSEMBLY WITHOUT CIRCUMFERENTIAL

NO.	STOCK NO.	DESCRIPTION	GOSS PART NO.
1	40546	Eccentric Sleeve	C-088172
2	40548-1	Spacer	B-108636
3	40083	Quad Ring Seal	143-891557
4	40549	End Plate	B-139391
5	40033	Blanket Cylinder	E-004658
6	40550	End Plate	C-094790
7	40547	Eccentric Sleeve	C-062010
8	40551	Plug	400-865500
9	40552	Washer with Pin	B-148639
10	40540	Throwoff Pin	B-108420
11	40553	Retaining Ring	62C-040164
12	40554	Bearing	A-012094
13	40555	Shim Set	1B-141874
	40556	Shim Set	5B-141875
14	40037	Gear	C-070181
15	40557	Key	174C-040003
16	40558	Washer with Pin	B-108639
17	40406	Capscrew	411-891201
18	40347	T-Bar	C-094716
	40346	T-Bar	1C-094681

COMMUNITY UNIT

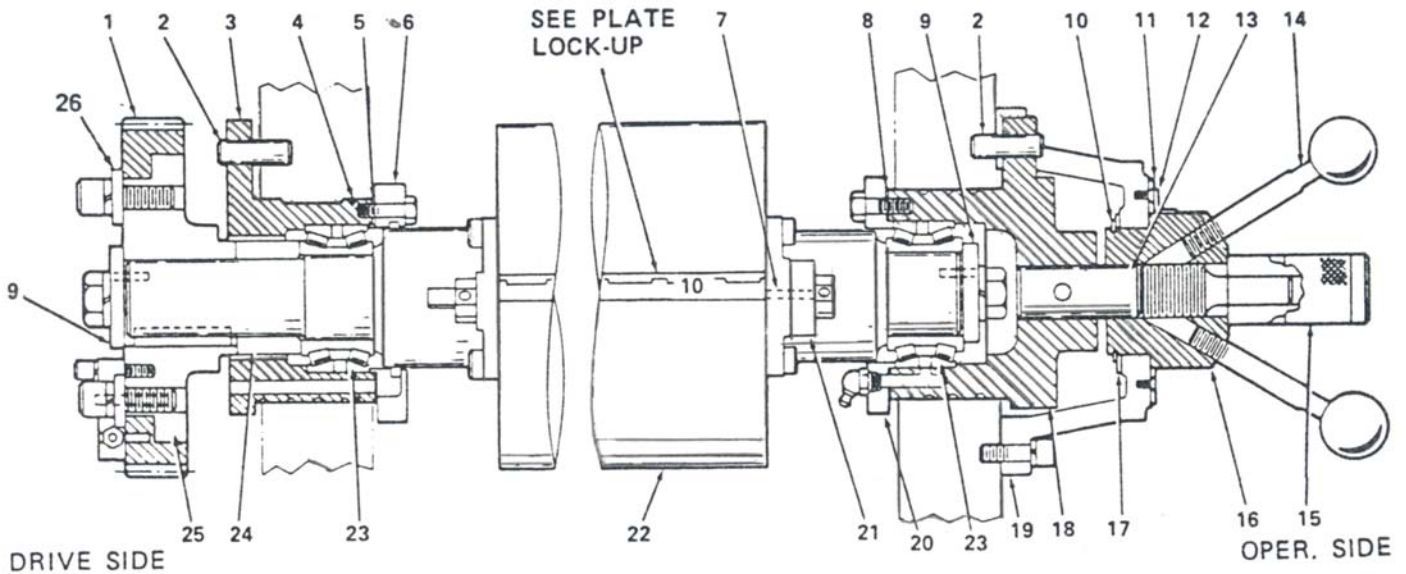


PLATE CYLINDER ASSEMBLY WITHOUT CIRCUMFERENTIAL - 10 SIDE

NO.	STOCK NO.	DESCRIPTION	GOSS PART NO.
1	40038	Gear	C-070182
2	40559	Dowel Pin	59-863313
3	40560	Eccentric Sleeve	D-032632
4	40083	Quad Ring Oil Seal	143-891557
5	40561	Gasket	1B-144552
6	40562	End Plate	C-088170
7	40563	Dowel Pin	168C-040001
8	40825	Gasket	1B-144551
9	40558	Washer with Pin	1B-108639
10	40564	Retaining Ring	1927-885470
11	40565	Register Indicator	B-141094
12	40566	Pointer	B-106851
13	40567	Adjusting Screw	B-144613
14	40568	Handle Assembly	B-114608
	40826	Handle Assembly	12B-140766
15	40569-1	Sidelay Locking Nut	B-108440
16	40570	Sidelay Handwheel Hub	C-094683
17	40571	Washer	B-144553
18	40572	Eccentric Sleeve	E-004664
19	40573	Sidelay Bracket	C-068078
20	40574	End Plate	B-116803
22	40034	Plate Cylinder (10 side)	E-004659
23	40554	Bearing	A-012094
24	40548-2	Spacer	2B-108636
25	40575	Gear Hub	C-068081
26	40582	Slip Washer	AR-003424

COMMUNITY UNIT

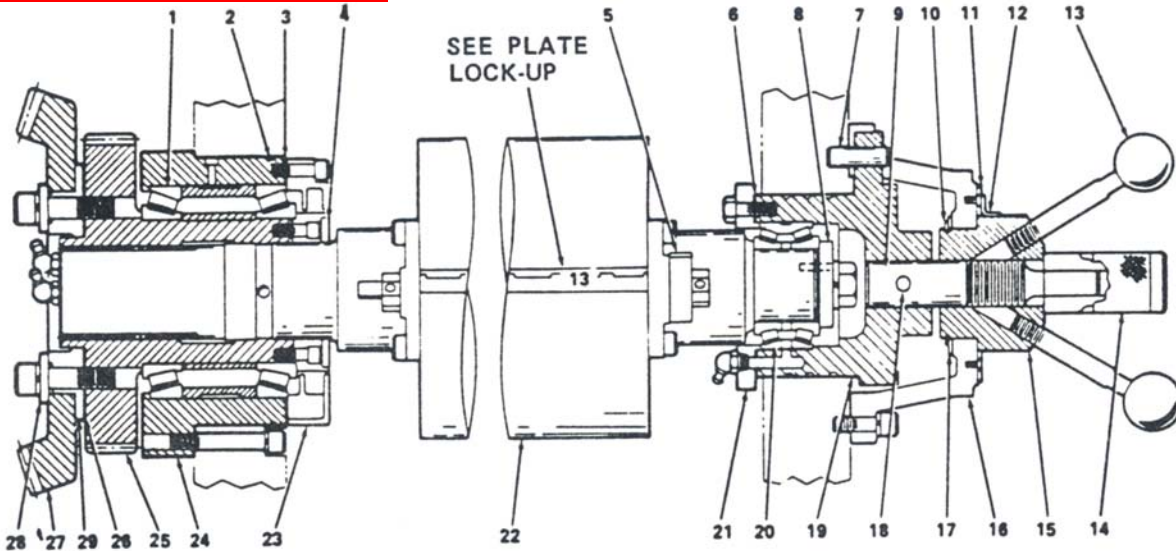


PLATE CYLINDER ASSEMBLY - 13 SIDE

NO.	STOCK NO.	DESCRIPTION	GOSS PART NO.
1	40561	Bearing	A-059921
2	40084	Quad Ring Oil Seal	1458-885454
3	40562	Gasket	1B-144557
4	40563	End Plate (Cone)	B-119956
5	40126	Auto Plate Lockup Lever	B-148070
6	40564	Gasket	1B-144558
7	40559	Dowel Pin	59-863313
8	40558	Washer with Pin	B-108639
9	40567	Sidelay Adjusting Screw	B-144613
10	40564	Retaining Ring	1927-885470
11	40565	Register Indicator Dial	B-141094
12	40566	Pointer	B-106851
13	40568	Handle	B-144608
14	40569-3	Sidelay Locknut	3B-108440
15	40570	Sidelay Handwheel Hub	C-094683
16	40573	Sidelay Bracket	C-068078
17	40571	Washer	B-144553
18	40576	Dowel Pin	237C-040001
19	40577	Sleeve	E-004663
20	40109	Bearing	800-722673
21	40578	End Plate	B-116802
22	40035	Plate Cylinder - 13 Side	E-004895
	40036	Plate Cylinder - 13 Side	E-004660
23	40579	End Plate (Cup)	C-094684
24	40580	Sleeve	C-094685
25	40039	Plate Cylinder Gear	C-070179
26	40581-4	Shim Set	4B-099304
27	40056	Spiral Bevel Gear Set	C-070178
28	40582	Washer	AR-003424
29	40583	Gear Mounting Plate	B-108384

COMMUNITY UNIT

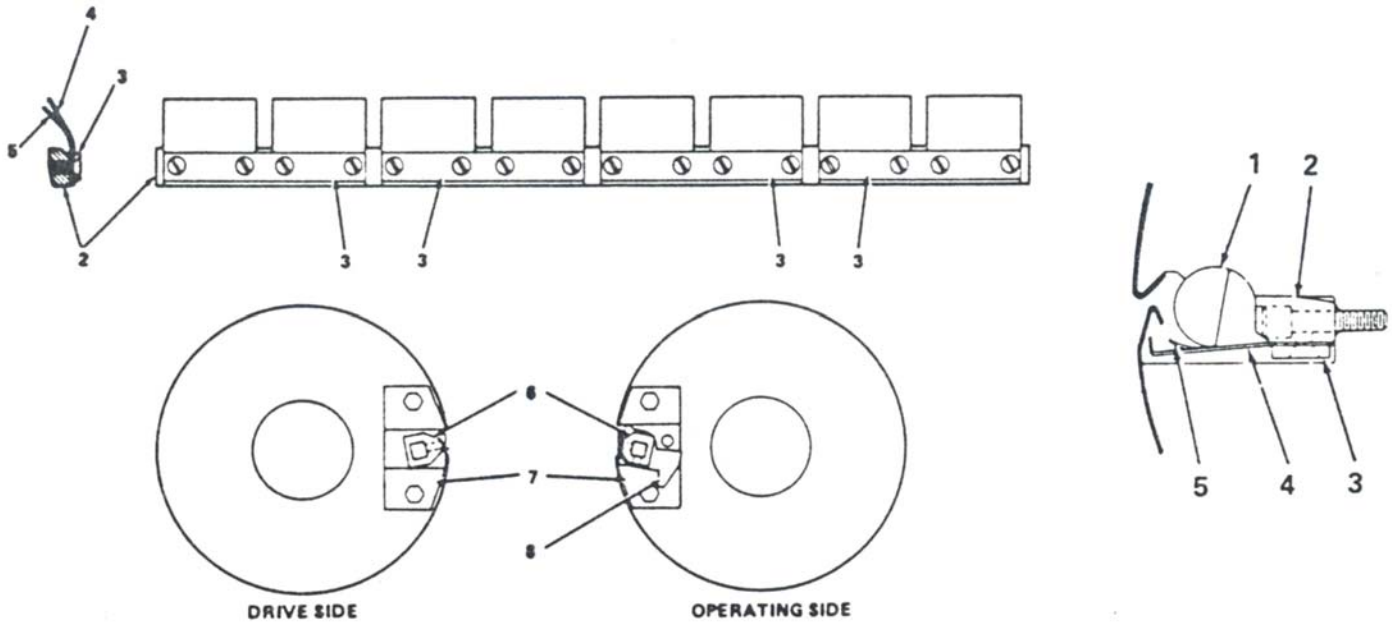


PLATE CYLINDER LOCKUP ASSEMBLY - 22-100" PRINT LENGTH

NO.	STOCK NO.	DESCRIPTION	GOSS PART NO.
1	40584	Plate Lockup Shaft	C-099787
2	40122	Spring Retaining Bar	C-100029
3	40123	Clamp Bar	B-148072
4	40092	Plate Lockup Spring	D-035044
5	40585	Anti-Rattle Spring	B-150241
6	40010	Lockup Shaft Sleeve	B-099441
7	40125	Plate Lockup Keeper	B-148071
8	10126	Automatic Plate Lockup Lever	B-148070
	40827	Automatic Plate Lockup Lever	B-149800

COMMUNITY UNIT

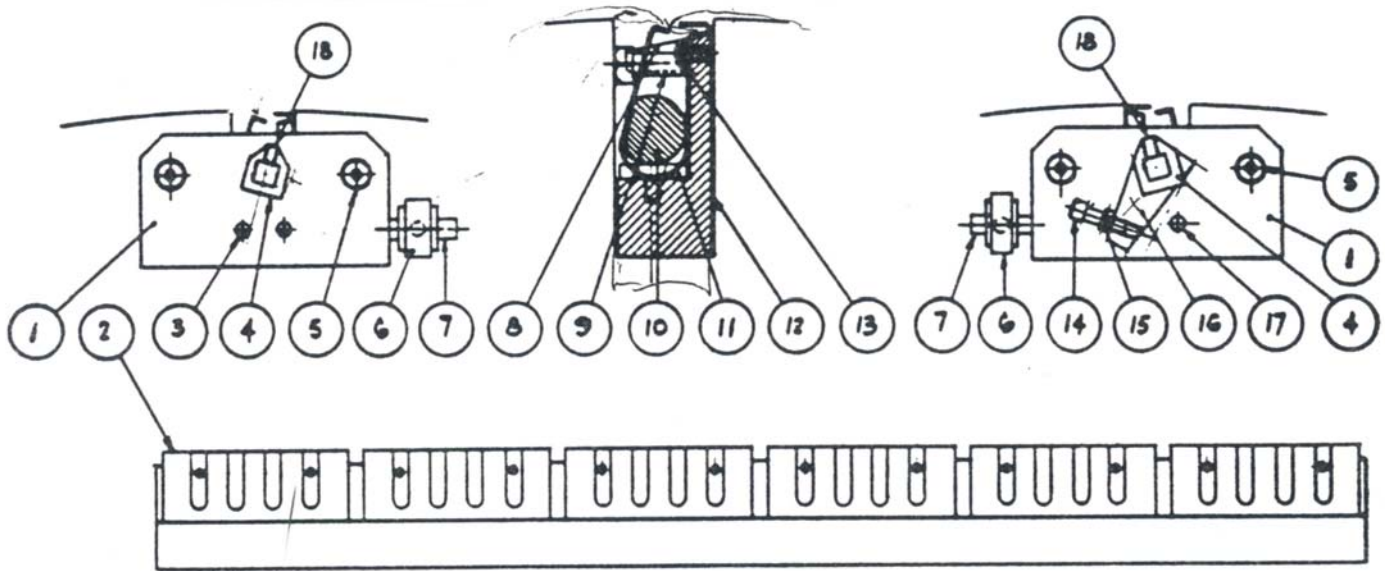
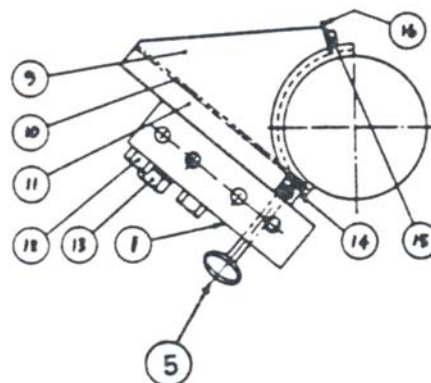
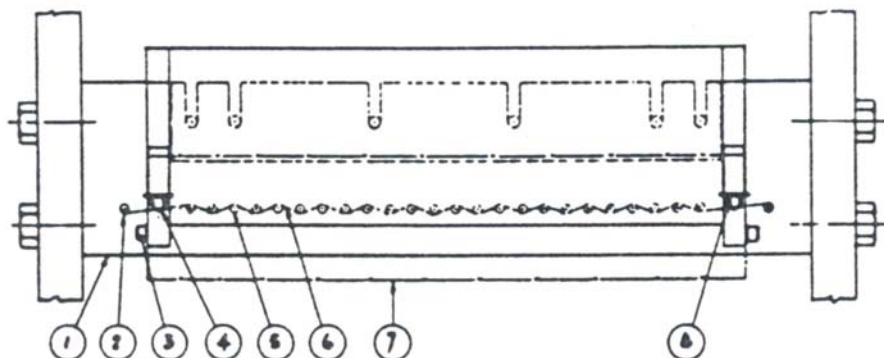


PLATE CYLINDER LOCKUP ASSEMBLY - 21-3/4" PRINT LENGTH

NO.	STOCK NO.	DESCRIPTION	GOSS PART NO.
1	40166	Side Register Block	1B-104917
2	40093	Spring	2D-025709
3	40586	Dowel Pin	146C-040001
4	40010	Sleeve	1B-099441
5	40587	Stripper Bolt	3104C-040131
6	40129	Register U-Bolt	B-119471
7	40130	Register Screw	B-094778
8	10131	Sidelay Pin	B-109612
9	40006	Jack Screw	2B-118873
10	40132	Plate Lockup Shaft	C-061973
	40133	Plate Lockup Shaft	C-091836
11	40134	Shaft Support Plate	B-108364
12	40135	Plate Lockup Yoke	C-091835
	40136	Plate Lockup Yoke	C-108321
13	40517	Spring Securing Screw	3618-891220
14	40524	Spring Tip Screw	2510C-040132
15	40588	Jam Nut	2520C-040149
16	40137	Swivel Block	B-094775
17	40563	Dowel Pin	168C-040001
18	40589	Set Screw	2502C-040142

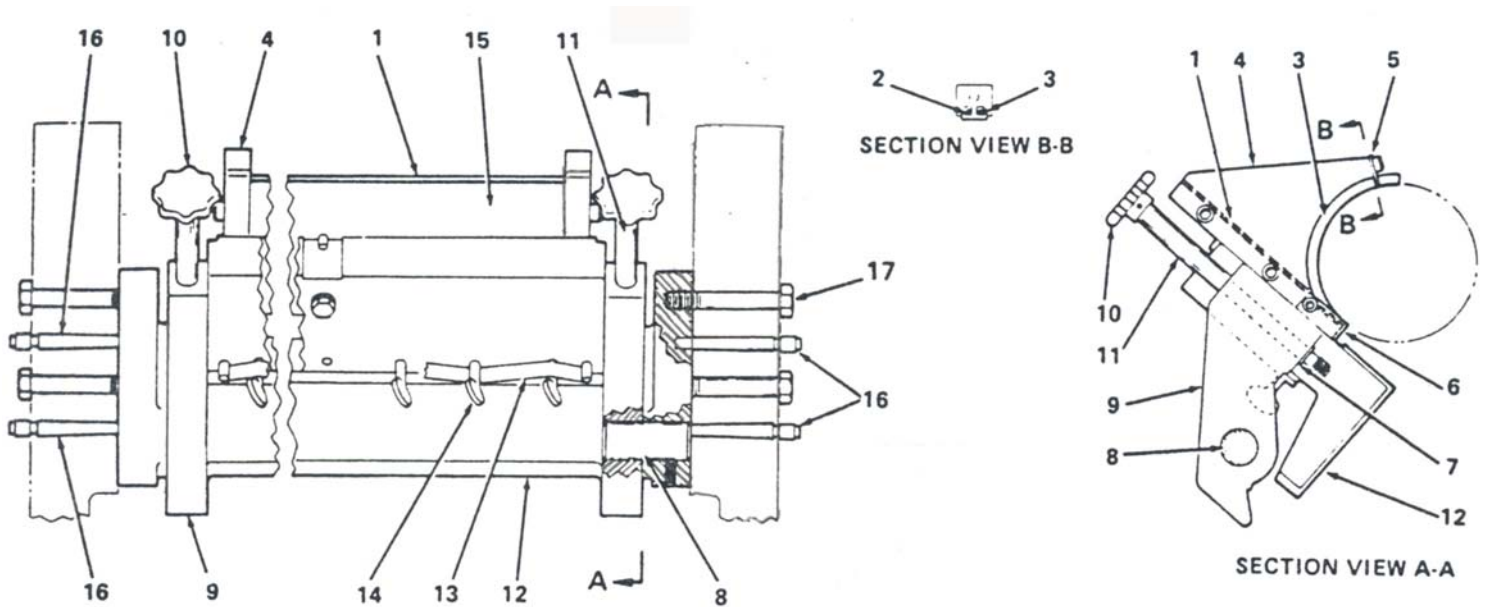
COMMUNITY UNIT



INK FOUNTAIN ASSEMBLY - FIXED TYPE

NO.	STOCK NO.	DESCRIPTION	GOSS PART NO.
1	40590	Ink Fountain Brace	C-070169
2	40591	Roll Pin	2522C-040082
3	40592	Cap Screw	1003C-040132
4	40102	Ink Fountain Seal	C-070172
5	40079	Thumb Screw	6635-891211
6	40593	Fountain Key Band	1B-115750
7	40064	Ink Fountain Roller	C-070173
8	40594	O-ring	243C-040162
9	40595	End Plate	B-119766
10	40103	Knife Blade	B-119765
11	40101	Support Bar	C-070171
12	40596	Cap Screw	3720C-040133
13	40597	Cap Screw	3716C-040133
14	40598	Seal Retainer	B-116203
	40828	Seal Retainer	B-148163
15	40592	Cap Screw	1003C-040132
16	40599	Seal Retainer	B-114138
	40829	Seal Retainer	B-116203

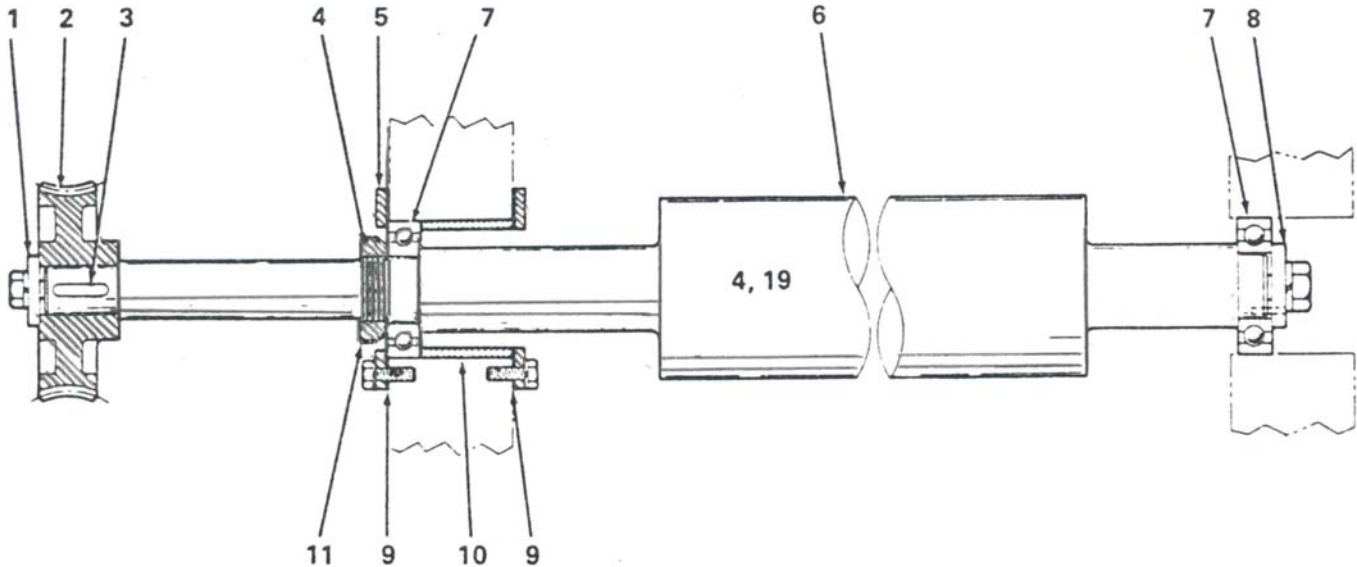
COMMUNITY UNIT



INK FOUNTAIN ASSEMBLY - SWING DOWN TYPE

NO.	STOCK NO.	DESCRIPTION	GOSS PART NO.
1	40103	Knife Blade	3B-119765
2	40594	O-Ring	243C-040162
3	40102	Fountain Seal	1C-070172
4	40830	Fountain End	1C-099499
5	40599	Upper Seal Retainer	1B-114138
6	40831	Lower Seal Retainer	1B-147734
7	40832	Retainer Ring	1935-885470
8	40833	Pivot Ring	1B-147619
9	40834	Fountain Body	1E-005973
10	40396	Hand Knob	B-083974
11	40835	Fountain Lockup Bolt	1B-147620
12	40836	Mounting Bracket	1E-005974
13	40953-1	Key Band	1B-115750
14	40079	Ink Key	6635-8912111
15	40837	Blade Support Bar	1C-100035
16	40838	Taper Pin	332C-040014

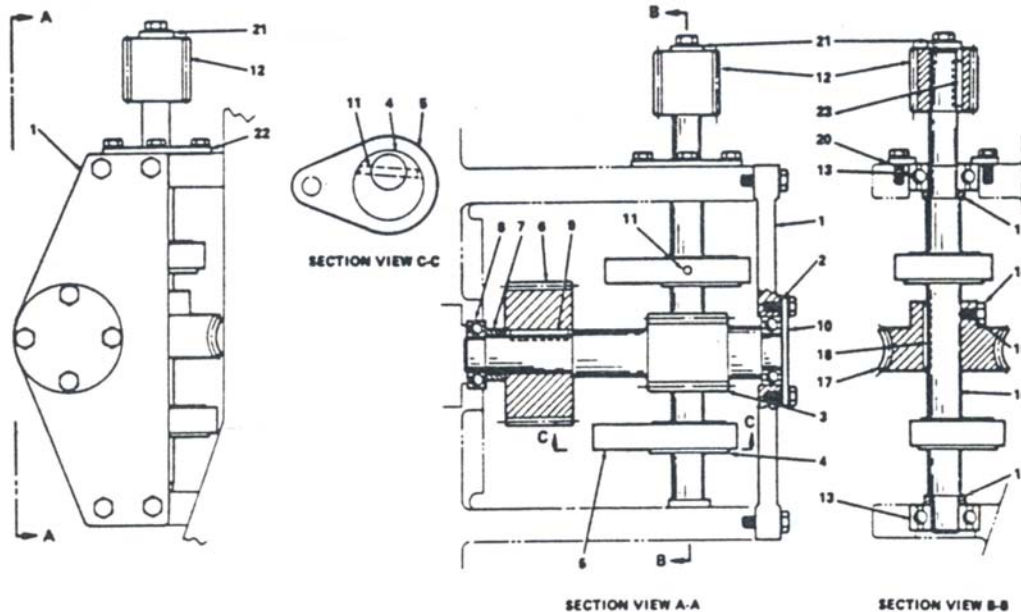
COMMUNITY UNIT



INK FOUNTAIN ROLLER ASSEMBLY

NO.	STOCK NO.	DESCRIPTION	GOSS PART NO.
1	40600	Washer	312C-040070
2	40043	Worm Gear	C-070377
	40606	Worm Gear	B-108291
	40040	Worm Gear	B-113307
3	40601	Square Key	87C-040003
4	40602	Bearing Locknut	106C-040123
5	40603	End Plate	B-108290
6	40065	Ink Fountain Roller	C-083426
	40066	Ink Fountain Roller	C-061903
7	40110	Bearing	547-722605
8	40604	Washer with Pin	414C-040070
9	40609	Shim Set	4B-108701
10	40605	Bearing Outer Race Spacer	2127C-040066
11	40608	Bearing Lockwasher	547-722605
	40839	Bearing Lockwasher	106C-040124

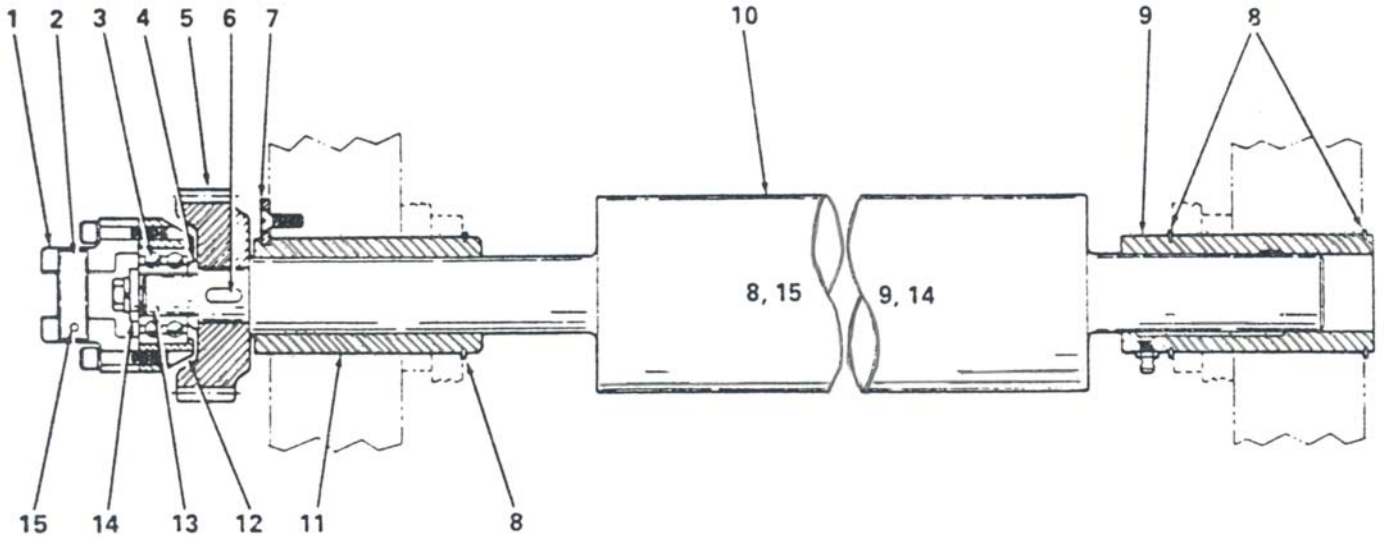
COMMUNITY UNIT



INK VIBRATOR / INK FOUNTAIN DRIVE ASSEMBLY

NO.	STOCK NO.	DESCRIPTION	GOSS PART NO.
1	40611	Inker Drive Support Plate	B-119988
2	40612	Shim	8A-003001
3	40045	Drive Worm Gear	C-070378
4	40613	Eccentric Bushing	B-108429
5	40614	Link	B-108427
6	40046	Drive Gear	C-070177
7	40615	Spacer	2505C-040064
8	40111	Bearing	1493-722673
9	40616	Key	148C-040003
10	40617	Mounting Plate	B-095332
11	40618	Roll Pin	2528C-040082
12	40043	Drive Worm	C-070377
13	40112	Bearing	1214-722673
14	40619	Jam Nut	5118C-040149
15	40620	Set Screw	416-819201
16	40087	Drive Shaft	C-070358
17	40045	Drive Worm Gear	C-070378
18	40557	Square Key	147C-040003
19	40621	Spacer	2102C-040064
20	40612	Shim	8A-003001
21	40623	Washer with Pin	310C-040070
22	40617	Mounting Plate	B-095332
23	2187	Square Key	123C-040003

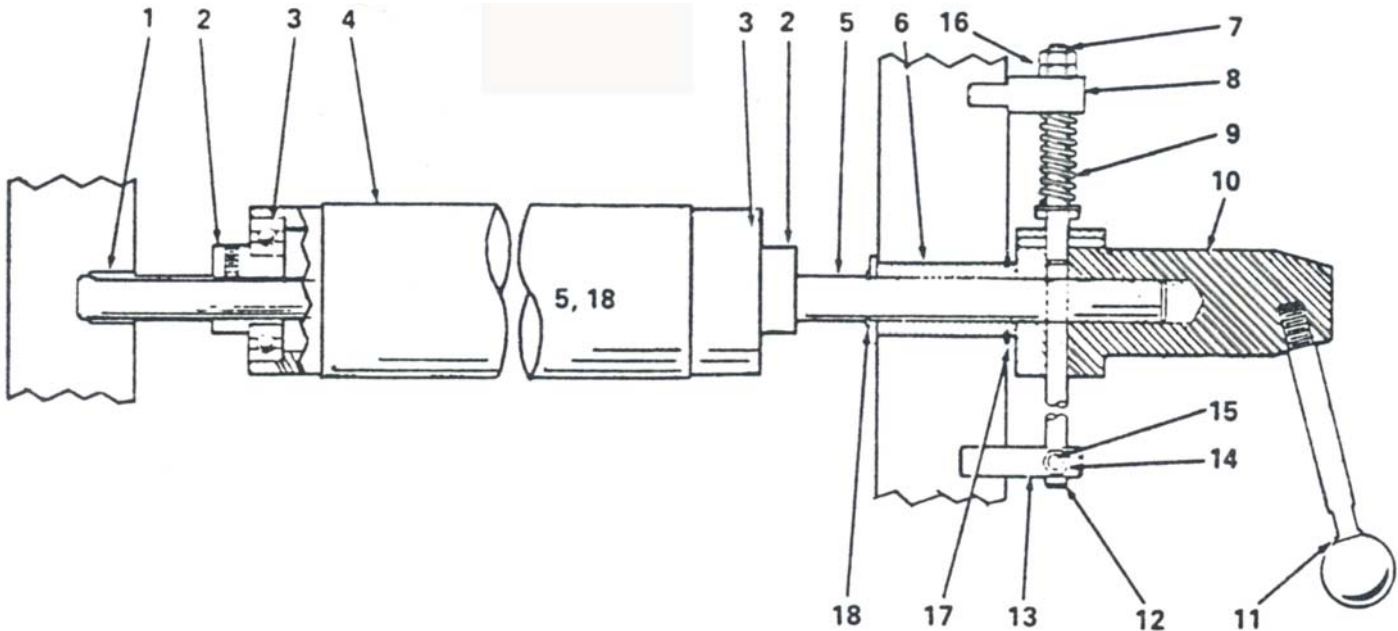
COMMUNITY UNIT



MAIN AND AUXILIARY INK DRUMS

NO.	STOCK NO.	DESCRIPTION	GOSS PART NO.
1	40621	Connector	B-113907
2	40624	Stud	2B-108387
3	40120	Bearing	5203C-040106
4	40625	Spacer	2B-113908
5	40047	Vibrator Drum Gear	1C-070168
	40048	Vibrator Drum Gear	C-065997
6	40626	Square Key	39C-040003
7	40627	Stop Plate	1B-145082
8	40798	Retaining Ring	1187-885470
9	40020	Bushing	1B-144471
	40021	Bushing	B-113045
10	40067	Ink Drum	C-094492
	40068	Ink Drum	C-065995
11	40020	Bushing	1B-144471
	40021	Bushing	B-113045
	40024	Bushing	C-070351
	40025	Bushing	C-070352
	40840	Bushing	22B-095421
12	40629	Connector Cap	2B-113906
13	40630	Dowel Pin	34C-040001
	40841	Dowel Pin	908C-040082
14	40631	Washer	1B-113433
15	40632	Roll Pin	920C-040082
	40841	Roll Pin	908C-040082

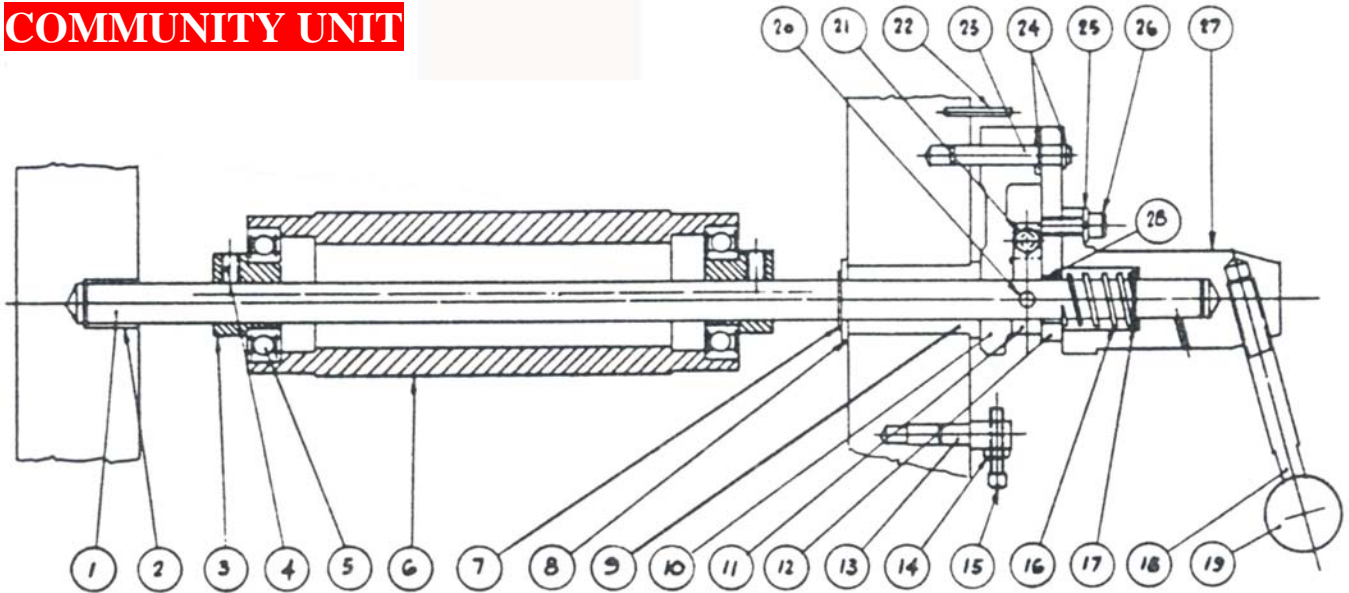
COMMUNITY UNIT



INK FEED ROLLER AND THROWOFF ASSEMBLY - NEW STYLE

NO.	STOCK NO.	DESCRIPTION	GOSS PART NO.
1	40026	Bushing	2B-729400
2	40633	Eccentric	1B-108444
3	40113	Bearing	547-722605
4	40003	Micrometric Roller (Ink Feed)	C-095891
5	40008	Shaft	1B-144599
6	40027	Bushing	1B-144600
7	40634	Spring Shaft	1B-145028
8	40058	Adjusting Stop Poppet	1B-145029
9	40094	Compression Spring	1B-145173
10	40635	Throwoff Hub	C-095444
11	40568	Throwoff Handle	1B-144608
12	40618	Stop Pin	2528C-040082
13	40636	Lever Stop Poppet	B-116800
	40842	Lever Stop Poppet	B-148127
14	40588	Jam Nut	2520C-040149
15	40637	Set Screw	2512C-040145
16	40076	Jam Nuts	3716C-040149
17	40638	Retaining Ring	125C-040164
18	40639	Retaining Ring	75C-040164

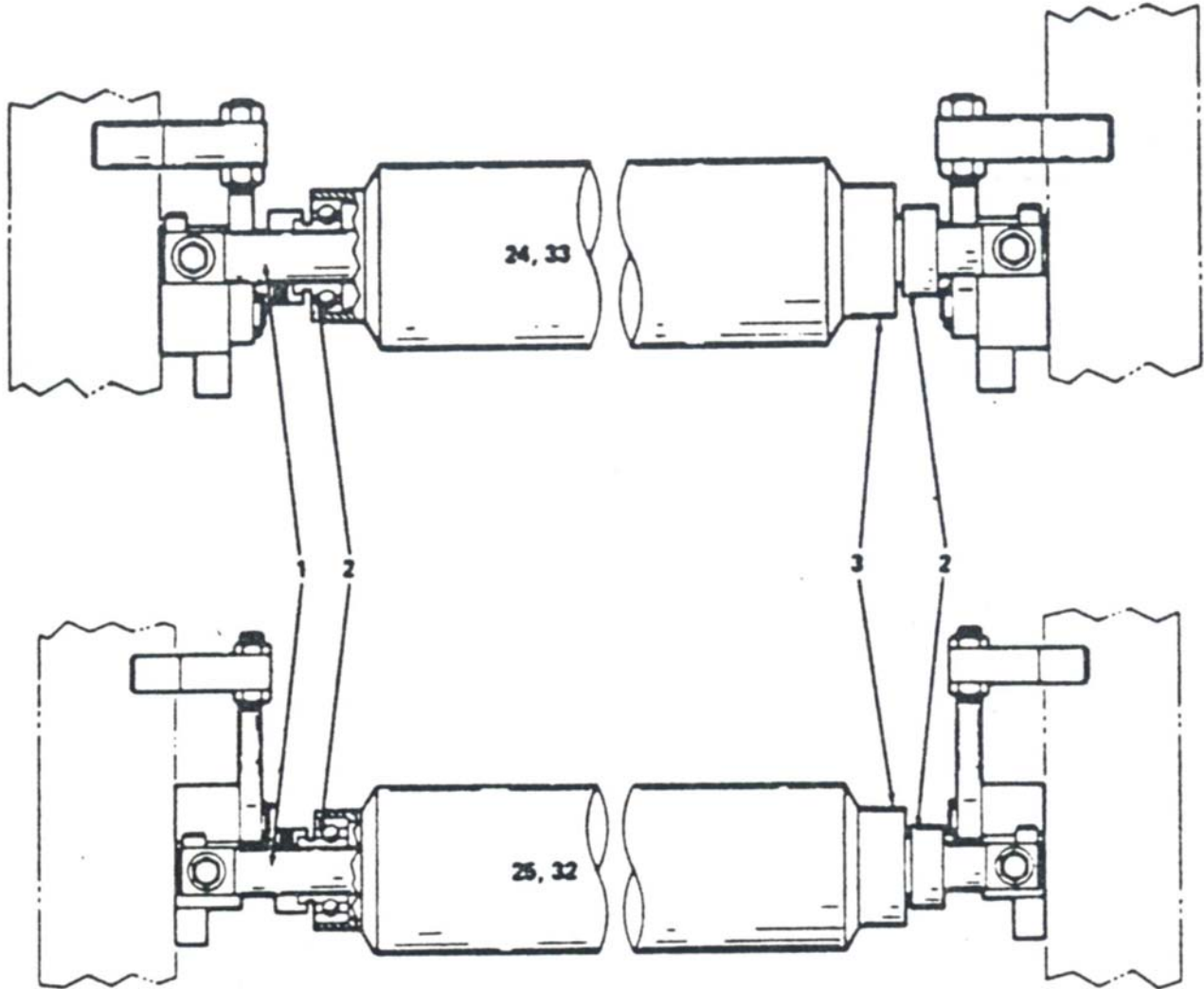
COMMUNITY UNIT



INK FEED ROLLER AND THROWOFF ASSEMBLY - OLD STYLE

NO.	STOCK NO.	DESCRIPTION	GOSS PART NO.
1	40089	Shaft	B-140767
2	40026	Bushing	28-729400
3	40633	Eccentric	B-108444
4	40640	Socket Set Screw	1524-891214
5	40114	Bearing	525-722605
6	40069	Micrometric Roller (Ink Pickup)	C-062039
7	40641	Retaining Ring	1947-885470
8	40642	Washer	2075C-040072
9	40028	Bushing	B-108519
10	40643	Lever	B-140770
11	40644	Collar	B-108556
12	40645	Lever	B-140768
13	40636	Poppet	B-116800
14	40588	Jam Nut	2520C-040149
15	40637	Square Head Screw	2512C-040145
16	40095	Spring	B-140867
17	40641	Retaining Ring	1947-885470
18	40647-3	Rod Handle	3B-140776
19	40648	Handle Ball	20-815007
20	40591	Roll Pin	2522C-040082
21	40637	Set Screw	2512C-040142
	40588	Jam Nut	2520C-040149
22	40649	Dowel Pin	147C-040001
23	40650	Lock Pin	B-140769
24	40304	Retaining Ring	37C-040164
25	40651	Lockwasher	2031C-040073
26	40652	Cap Screw	3106C-040132
27	40653	Hub	C-089808
28	40029	Bushing	30-729400

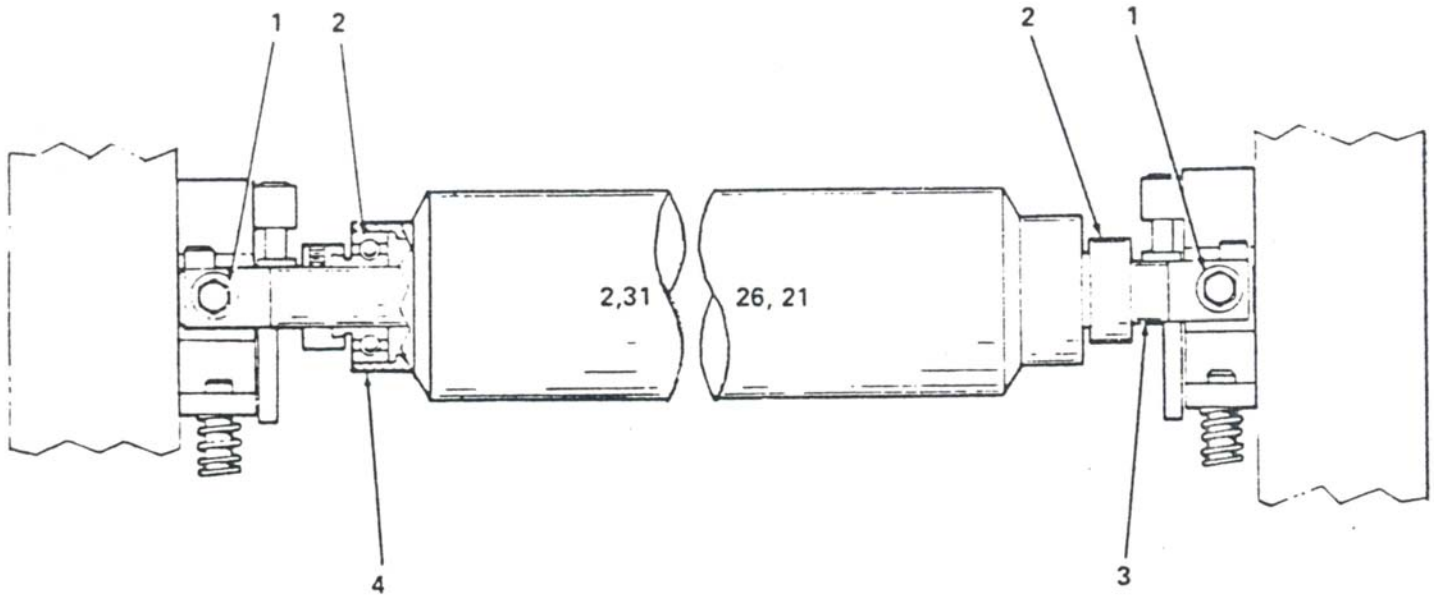
COMMUNITY UNIT



INK TRANSFER ROLLER

NO.	STOCK NO.	DESCRIPTION	GOSS PART NO.
1	40090	Shaft	B-108522
2	40115	Bearing with Collar	6-722605
3	40646	Roller Core	1B-108353

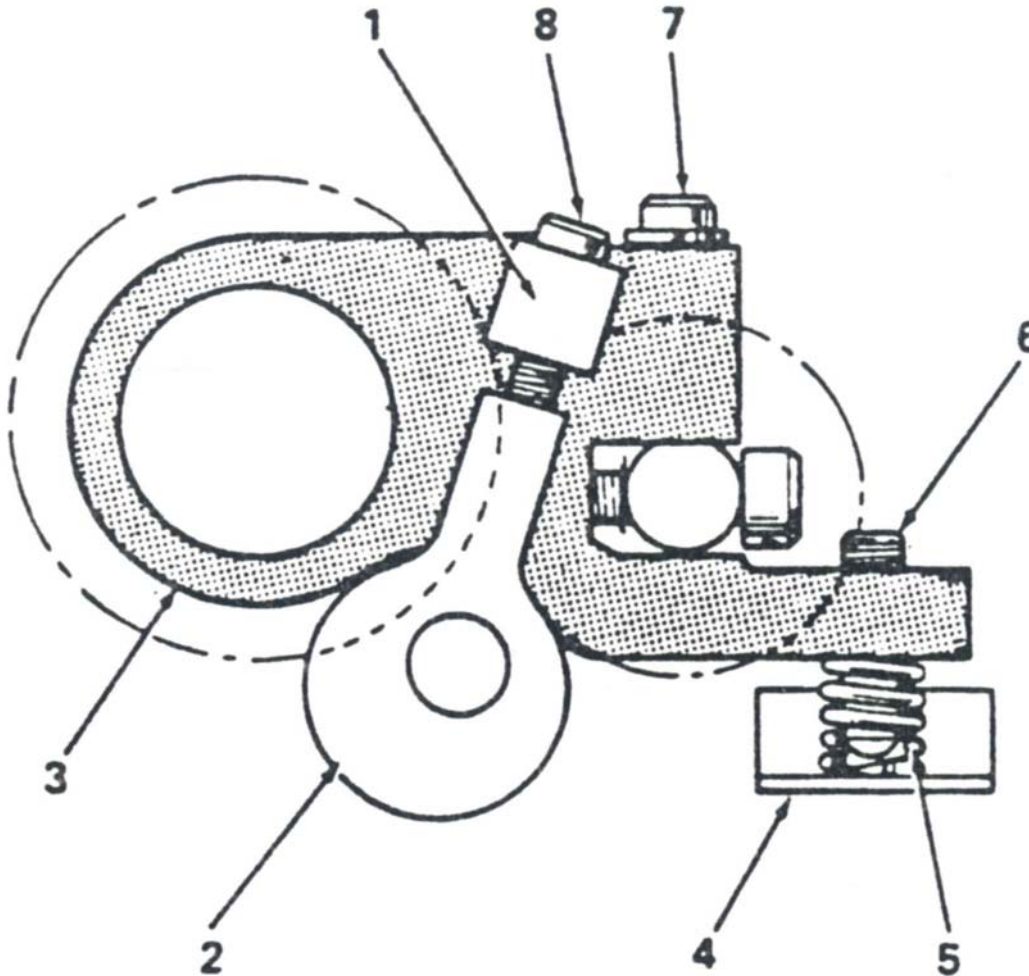
COMMUNITY UNIT



INK FORM ROLLERS

NO.	STOCK NO.	DESCRIPTION	GOSS PART NO.
1	40654	Washer	B-112891
2	40115	Bearing with Collar	6-722605
3	40090	Form Roller Shaft	1B-108522
	40655	Form Roller Shaft	B-126209
4	40646	Form Roller Core	1B-108353

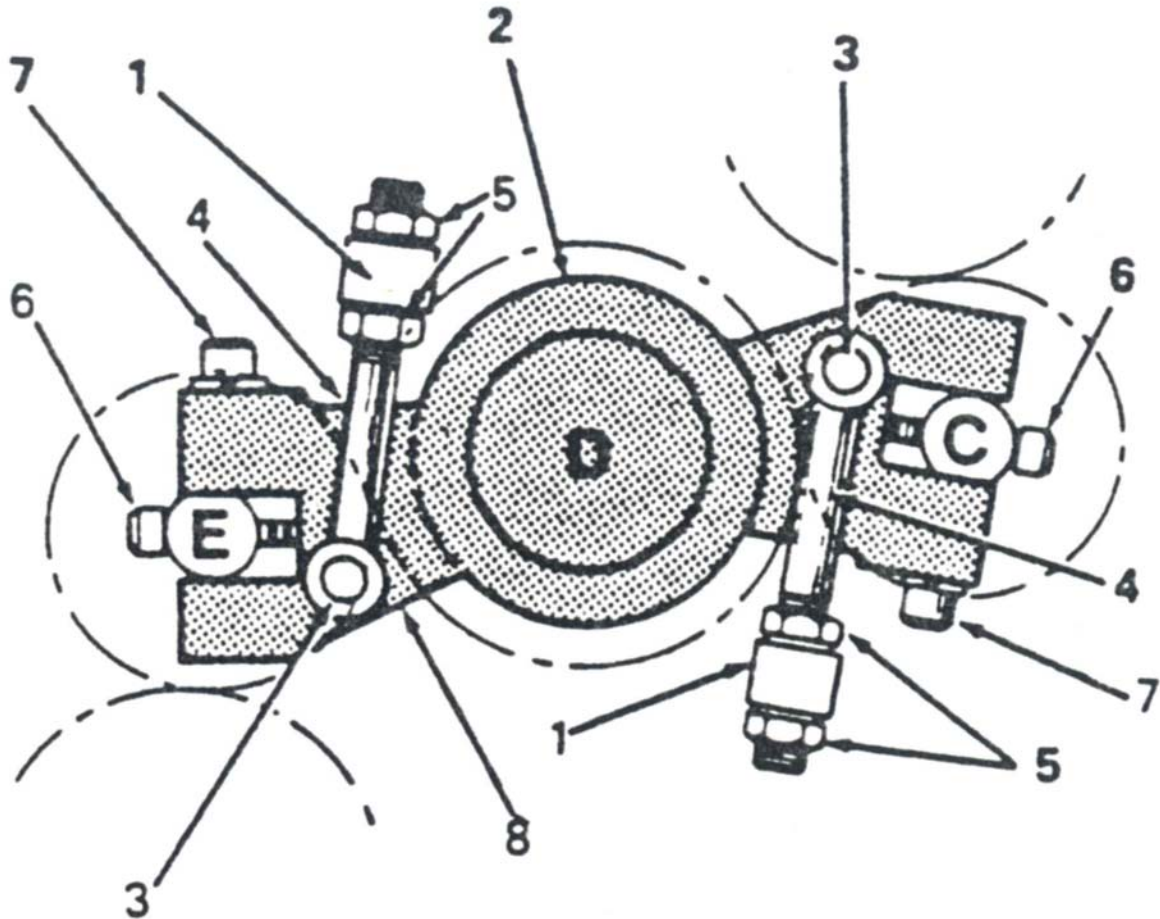
COMMUNITY UNIT



INK AND DAMPENR FORM ROLLER SOCKETS

NO.	STOCK NO.	DESCRIPTION	GOSS PART NO.
1	40060	Adjustment Poppet	B-119954
2	40138	Throwoff Link	B-119950
3	40139	Socket Body	C-070369
4	40656	Stop Plate	CB-119975
5	40096	Throwoff Spring	B-122810
	40097	Throwoff Spring	B-119952
6	40080	Stop Screw	B-120115
7	40657	Lock Screw	410-891201
8	40658	Adjusting Screw	5136-891201

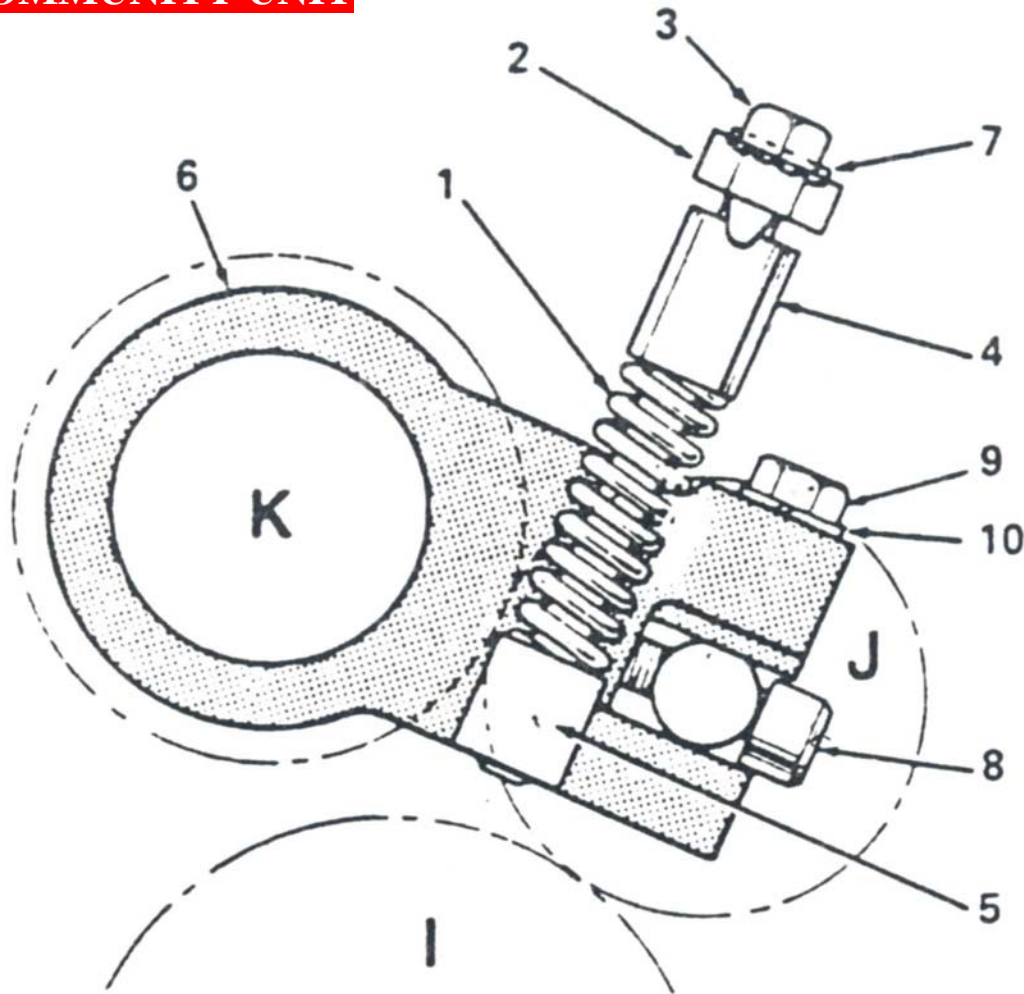
COMMUNITY UNIT



INK TRANSFER ROLLER SOCKETS

NO.	STOCK NO.	DESCRIPTION	GOSS PART NO.
1	40061	Adjustment Poppet	B-108532
2	40140	Socket Body	C-065996
3	40141	Socket Throwoff Pin	B-109087
4	40142	Eyebolt	6-759000
5	40076	Jam Nuts	3716C-040149
6	40657	Adjusting Screw	410-891201
7	40843	Lock Screw	2514C-040132
8	40140	Socket Body	C-065996

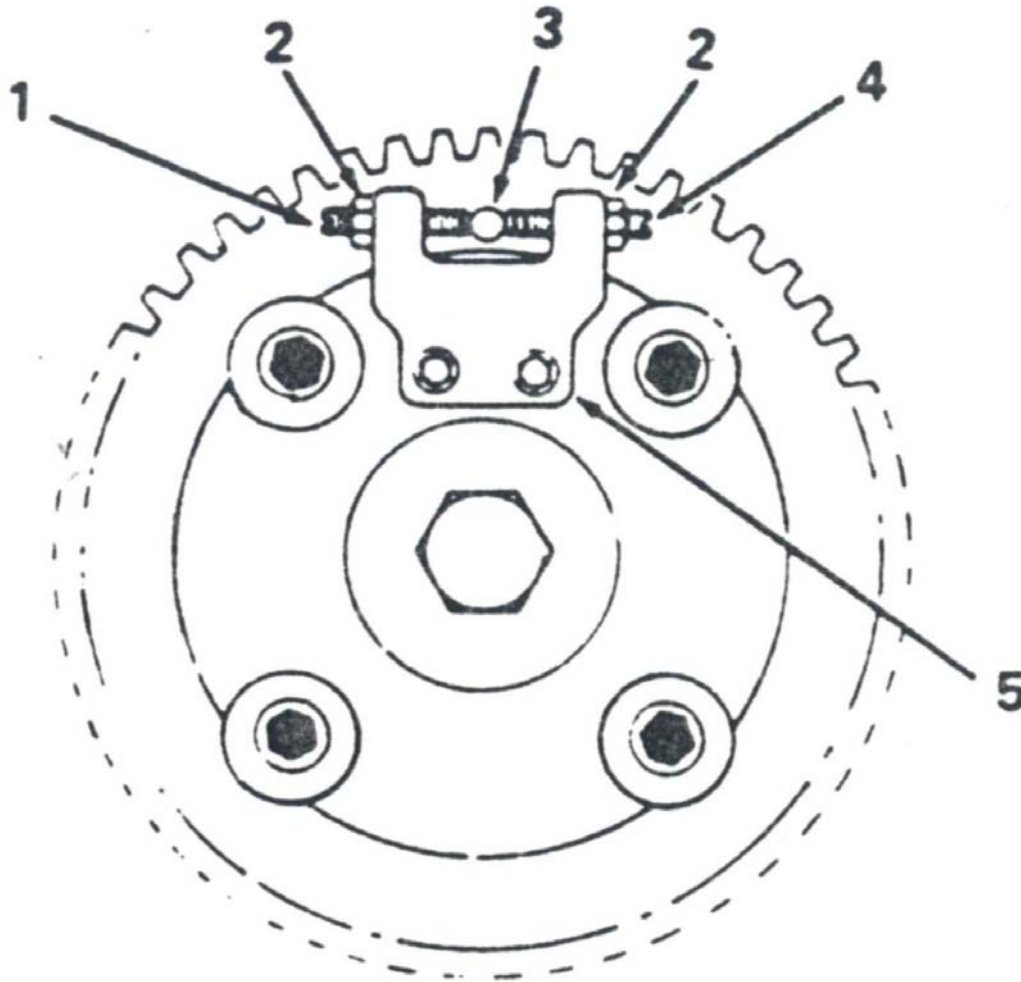
COMMUNITY UNIT



DAMPENER FEED ROLLER SOCKET

NO.	STOCK NO.	DESCRIPTION	GOSS PART NO.
1	40098	Compression Spring	B-127712
2	40146	Cam Nut	B-121823
3	40323	Adjusting Bolt	B-121825
4	40062	Spring Support Poppet	B-123285
5	40063	Roller Adjustment Poppet	B-123284
6	40144	Socket Body	C-073460
	40844	Socket Body	C-073470
7	40659	Roll Pin	912C-040082
8	40657	Adjusting Screw	410-891201
9	40657	Lock Screw	410-891201
10	40654	Washer	B-112891

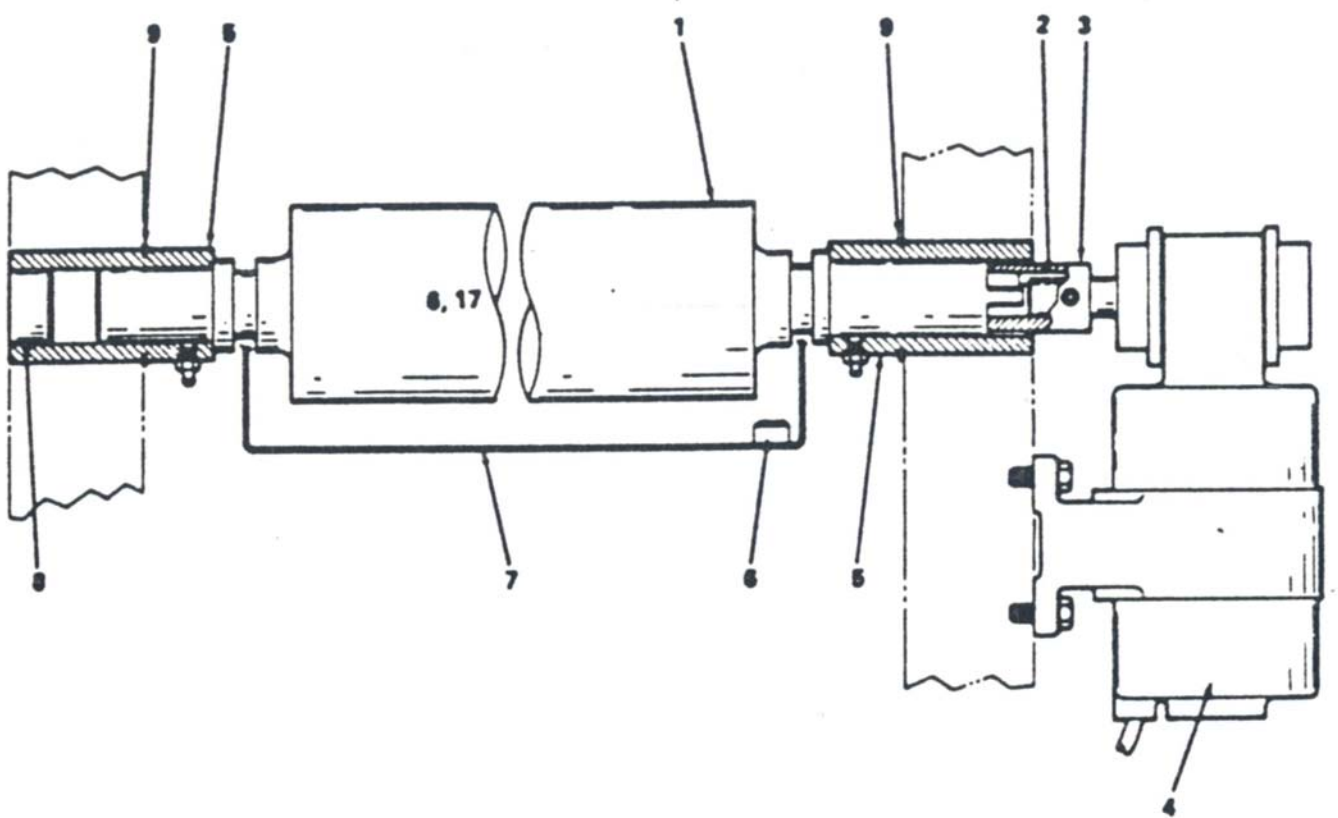
COMMUNITY UNIT



BACK-TO-BACK REGISTER GEAR RIM

NO.	STOCK NO.	DESCRIPTION	GOSS PART NO.
1		Left Hand Adjusting Screw	C-040144
2	40588	Jam Nut	2520C-040149
3	40649	Stop Pin	136C-040001
4		Right Hand Adjusting Screw	C-040144
5	40660	Adjusting Block	B-120953

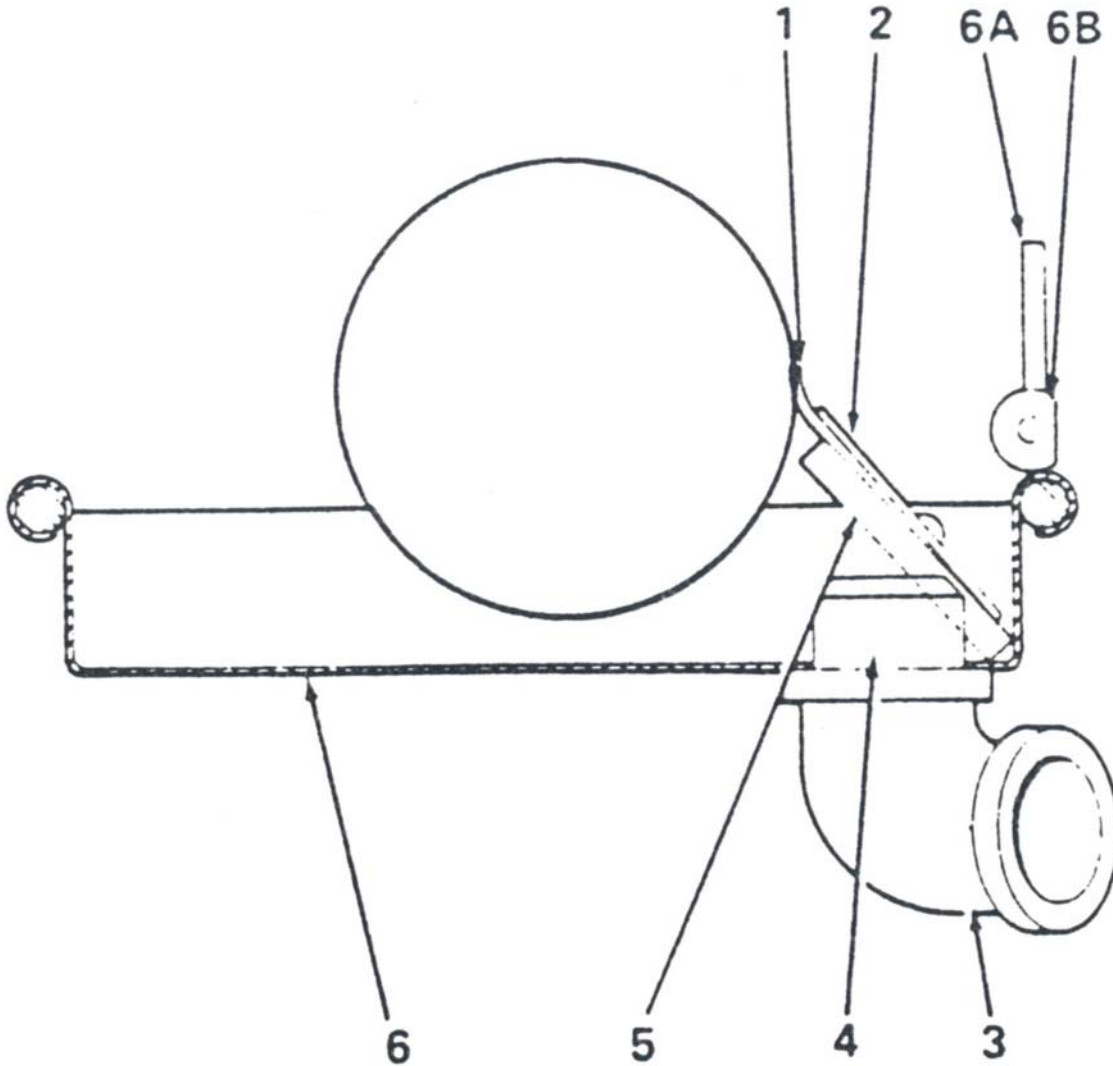
COMMUNITY UNIT



DAMPENER FOUNTAIN ROLLER ASSEMBLY

NO.	STOCK NO.	DESCRIPTION	GOSS PART NO.
1	40070	Dampener Fountain Roller	C-093547
2		Square Key	
3	40661	Connector	B-108487
4	40459	Fountain Roller Gearmotor (10s)	C-061913
	40460	Fountain Roller Gearmotor (13s)	
5	40030	Bushing	B-143805
6		Standpipe	
7	40202	Dampener Pan	C-091178
8	40662	Plug	B-104513
9	40199	Special Washer	B-095717
X	40700	Gear Shaft for Motor	

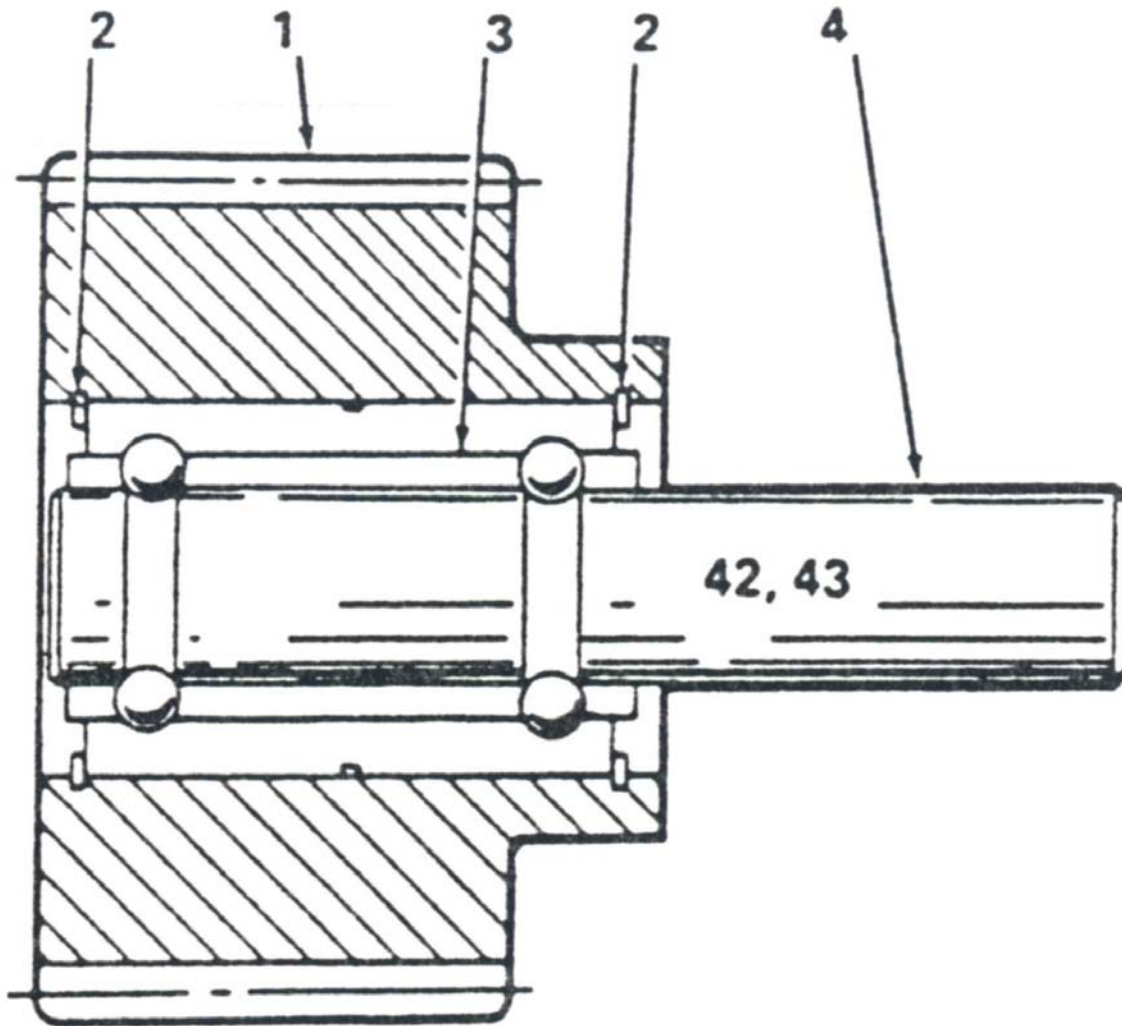
COMMUNITY UNIT



DAMPENER FOUNTAIN PAN & WATER STOP ASSEMBLY

NO.	STOCK NO.	DESCRIPTION	GOSS PART NO.
1	**	Dampener Stop Blanket	1C-001306
2	**	Dampener Stop Plate	1C-001306
3		Elbow	
4		Standpipe	
5	**	Retaining Plate	1C-001306
6	40202	Dampener	C-091178
6A	40663	Roll Pin	1824C-040082
6B	40664	Locking Pawl	B-113240

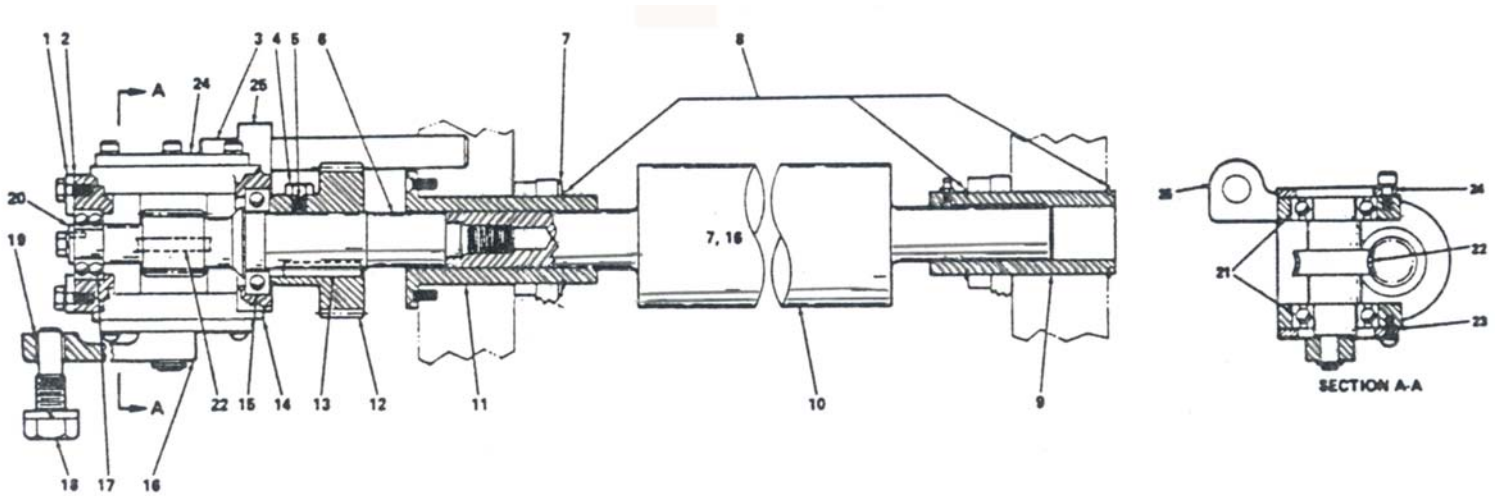
COMMUNITY UNIT



INTERMEDIATE DAMPENER DRUM GEAR

NO.	STOCK NO.	DESCRIPTION	GOSS PART NO.
1	40054	Gear	C-070170
2	40665	Retaining Ring	969-885470
3	40116	Bearing	299-722605
4	40666	Shaft & Bearing Assembly	

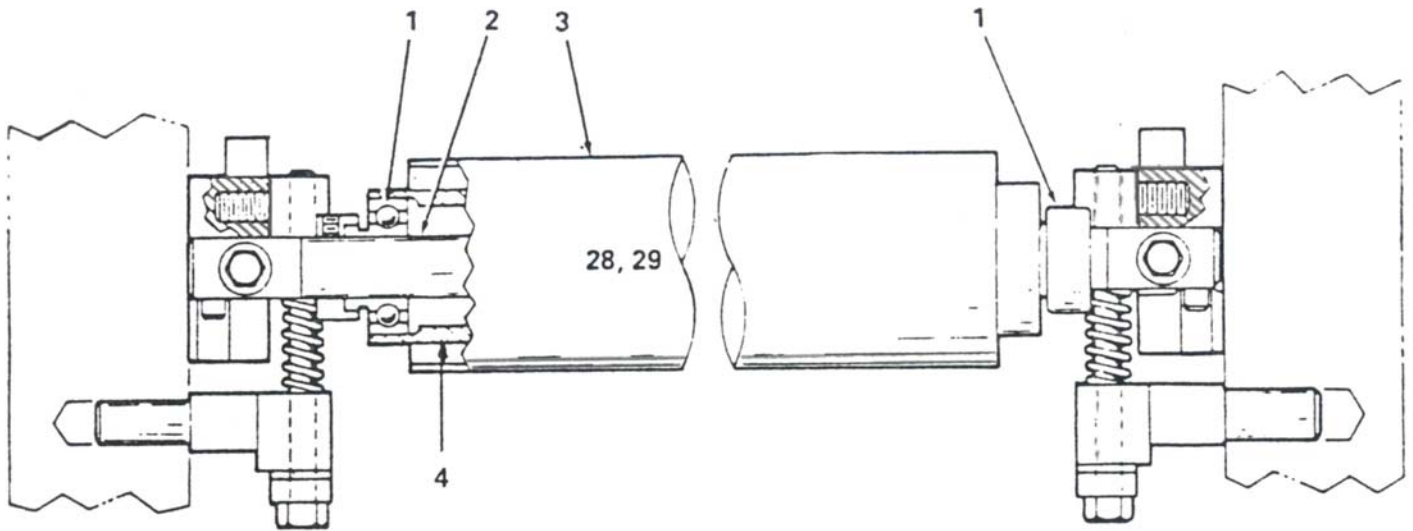
COMMUNITY UNIT



DAMPENER DRUM VIBRATOR ASSEMBLY

NO.	STOCK NO.	DESCRIPTION	GOSS PART NO.
1	40667	End Plate	B-110697
2	40668-5	Shim Set	4B-110693
3	40669	Housing Support Rod	B-119887
4	40076	Jam Nut	3716C-040149
5	40283	Spotting Set Screw	3B-105603
6	40050	Dampener Vibrator Worm	C-077112
7	40670	Washer	
8	40198	Retaining Ring	1187-885470
9	40021	Bushing	B-113045
10	40105	Dampener Vibrator Drum (RH)	1C-070310
	40106	Dampener Vibrator Drum (LH)	2C-070310
11	40025	Bushing	C-070352
12	40053	Gear	C-070188
13	40616	Key	148C-040003
14	40671	Housing	D-022141
15	40117	Bearing	98-722605
16	40672	Link	B-141206
	40845	Link	B-119886
	40846	Link	B-121828
17	40120	Bearing	5203C-040106
18	40673	Link Stud	B-119883
19	40674	Bronze Bearing	1100C-040075
20	40675	Washer with Pin	207C-040070
21	40119	Bearing	6206C-040100
22	40049	Vibrator Drive Gear	B-127371
	40847	Vibrator Drive Gear	B-110027
23	40676	Shim Set	B-119882
24	40677	End Plate	B-119885
25	40671	Housing	D-022141

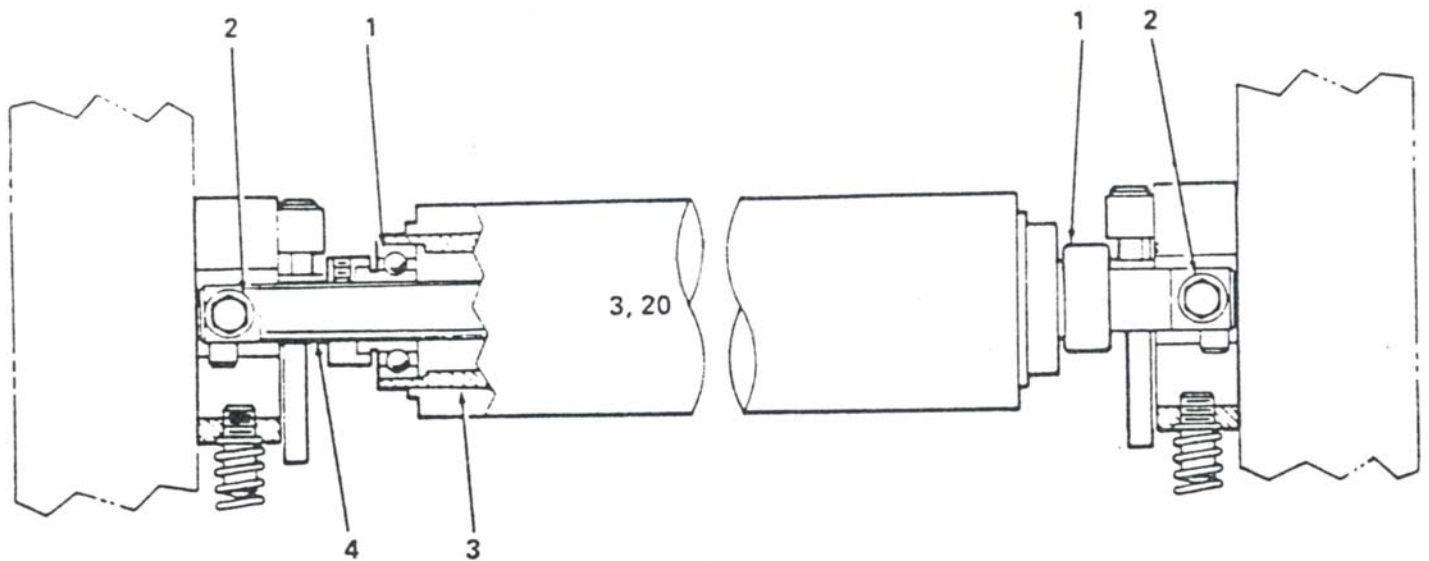
COMMUNITY UNIT



DAMPENER FEED ROLLER ASSEMBLY

NO.	STOCK NO.	DESCRIPTION	GOSS PART NO.
1	40115	Bearing with Collar	6-722605
2	40090	Roller Shaft	1B-108522
3	40678	Cotton Tubing	12-908400
4	40646	Roller Core	B-108353

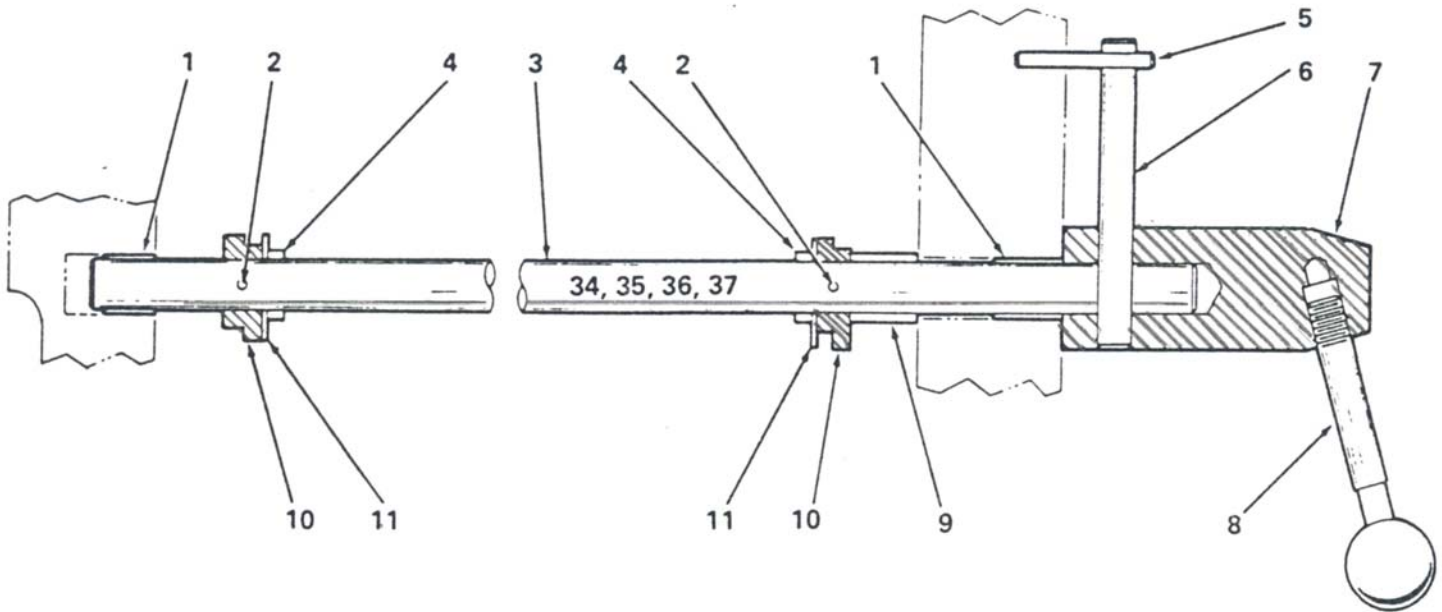
COMMUNITY UNIT



DAMPENER FORM ROLLER ASSEMBLY

NO.	STOCK NO.	DESCRIPTION	GOSS PART NO.
1	40115	Bearing with Collar	6-722605
2	40654	Washer	B-112891
3	40646	Roller Core	B-108353
4	40090	Roller Shaft	B-108522

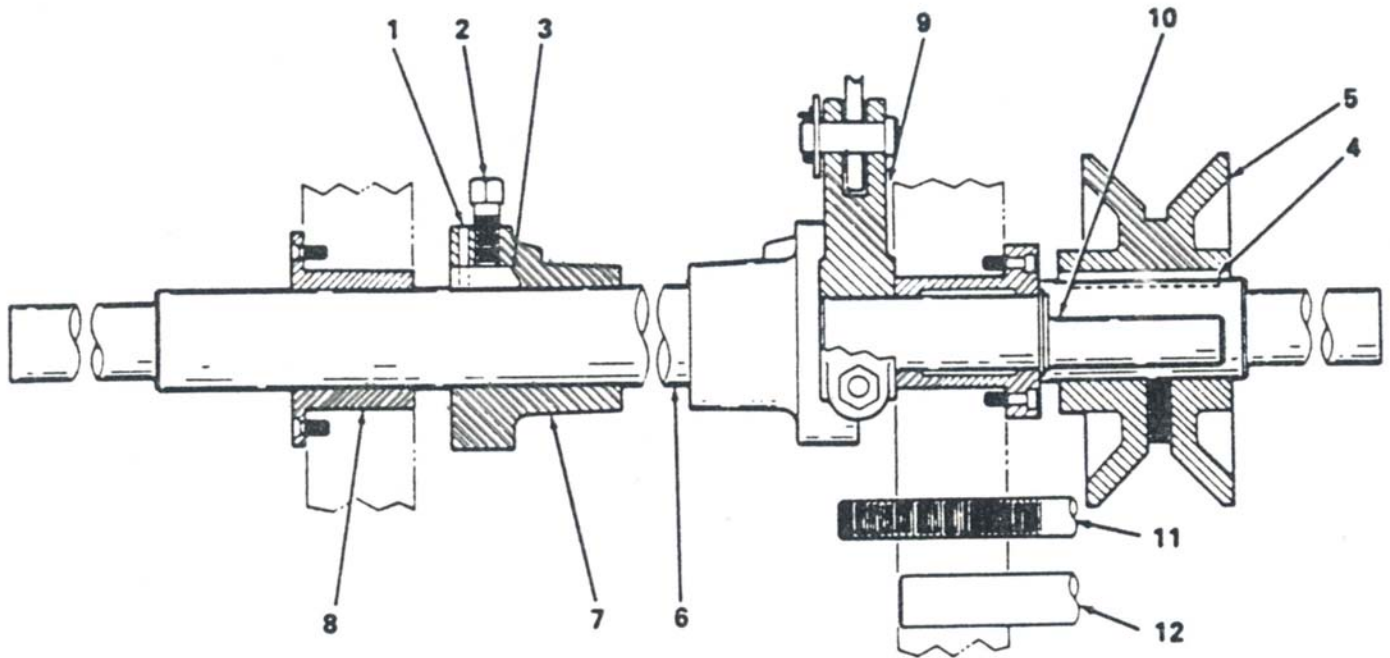
COMMUNITY UNIT



INK & DAMPENR FORM ROLLER THROWOFF ASSEMBLY

NO.	STOCK NO.	DESCRIPTION	GOSS PART NO.
1	20107	Bushing	29-729400
2	40679	Roll Pin	1820C-040082
3	40091	Roller Shaft	B-119953
4	40680	Collar	750C-040081
5	40681	Dowel Pin	215C-040001
6	40682	Pin	B-145026
7	40683	Throwoff Lever	C-094996
	40684	Throwoff Lever	D-030030
	40848	Throwoff Lever (Ink)	C-120066
	40849	Throwoff Lever (Damp)	B-120065
8	40568	Throwoff Handle	B-114608
9	40685	Spacer	1610C-040064
	40850	Spacer	1606C-040064
10	40686	Eccentric	B-119951
11	40642	Washer	2075C-040072

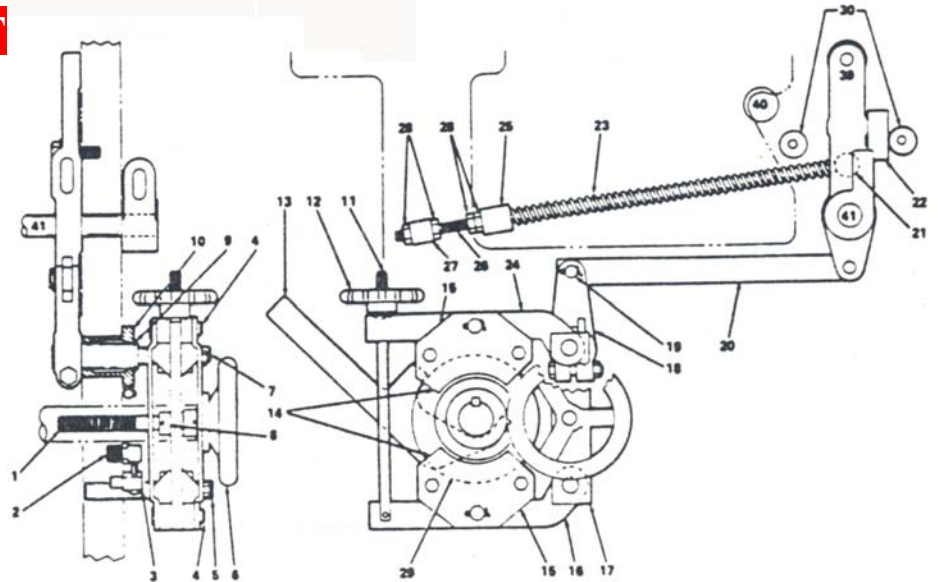
COMMUNITY UNIT



PAPER ROLL SHAFT ASSEMBLY

NO.	STOCK NO.	DESCRIPTION	GOSS PART NO.
1	30082	Dowel Pin	124C-040001
2	30093	Square Head Set Screw	5012C-040145
3	30084	Paper roll Chuck Key	B-108562
4	30085	Square Key	247CC-040003
5	30028	Tension Pulley	C-554484
6	30012	Paper Roll Shaft	B-108482
7	30029	Core Chuck	C-062061
	30030	Core Chuck	C-062062
8	30021	Paper Roll Journal Bearing	2B-108352
	30022	Paper Roll Journal Bearing	C-144533
9	30086	Eccentric Brake Lever	B-108468
10	30013	Eccentric Shaft	B-108465
	30014	Eccentric Shaft	B-144365
11	30031	Sidelay	B-108466
12	30032	Sidelay Bar Stud	3B-097322

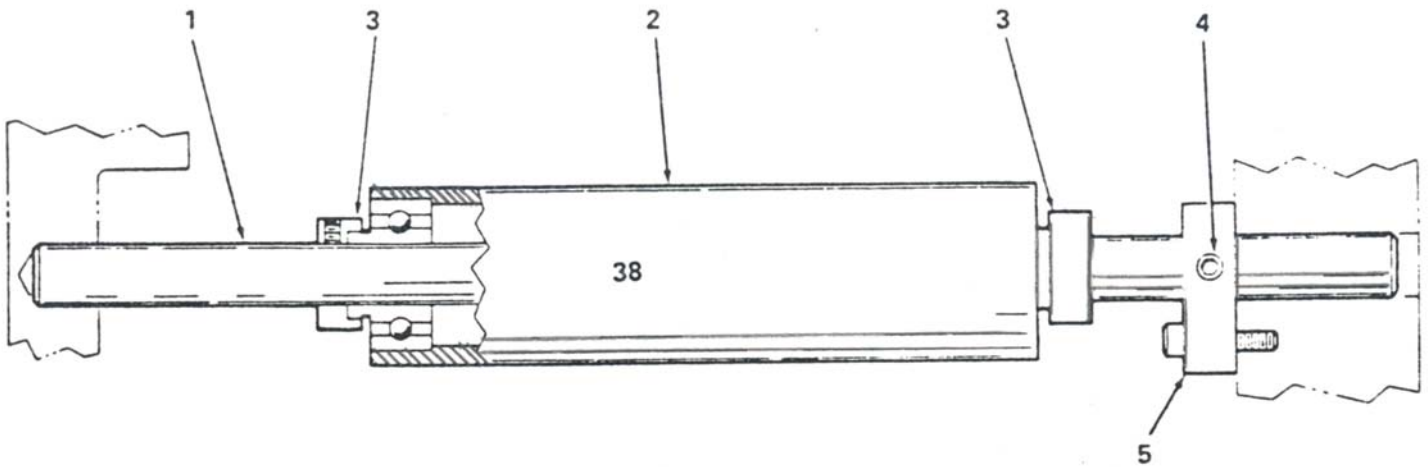
COMMUNITY UNIT



PAPER ROLL SIDELAY, TENSION CONTROL & BRAKE

NO.	STOCK NO.	DESCRIPTION	GOSS PART NO.
1	30031	Sidelay Screw	B-108466
2	30040	Roll Loading Pin	B-140764
3	40057	Lever Stop Poppet	B-108418
4	30041	Clevis Pin	22-863300
5	30033	Sidelay Bar Stud	3-897322
6	30087	Sidelay Handwheel	2C-094736
7	30014	Eccentric Shaft	B-144365
8	30088	Collar	B-099738
9	30089	Retaining Ring	150C-040164
10	30023	Eccentric Shaft Bushing	C-055021
11	30042	Brake Tension Screw	2B-119892
12	30043	Brake Shoe Handwheel	B-106700
13	30090	Roll Loading Lever	C-090149
14	30049	Brake Block (Green Gripper)	B-131708
	30051	Brake Block (Green Gripper)	B-145239
15	30019	Brake Shoe	C-095185
16	30091	Brake Shoe Lever	C-094283
17	30092	Sidelay Bar	C-144371
18	30093	Eccentric Brake Lever	C-094291
19	40172	Clevis Pin	6216-863308
20	30038	Brake Link	2B-108469
21	30081	Steel Ball	B-097542
22	30094	Spacer Block	
23	40099	Compression Spring	B-140856
24	30095	Brake Shoe Lever	C-094282
25	30036	Knureled Nut	B-109657
26	30034	Tension Control Rod	B-108892
27	30037	Swivel Stud	3B-097543
28		Jam & Stop Nuts	6211C-040149
29	30028	Tension Pulley	C-054484
30	30010	Bumper	B-108467

COMMUNITY UNIT



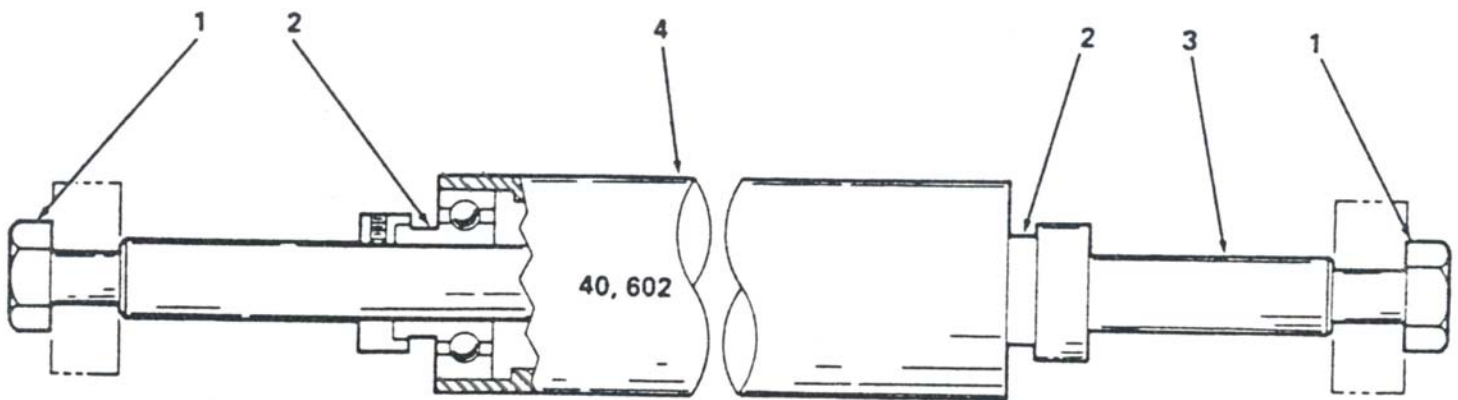
LEAD-IN ROLLER ASSEMBLY

NO.	STOCK NO.	DESCRIPTION	GOSS PART NO.
1	30015	Roller Shaft	444C-065375
	30016	Roller Shaft	B-108643
2	40646	Lead-In Roller	B-108353
	30025	Lead-In Roller	B-108425
3	40855	Bearing with Collar	8-722605
4	30096	Socket Set Screw	3103C-040142
5	30097	Collar	B-141745

www.a-americanpressparts.com

Check our website for updates!

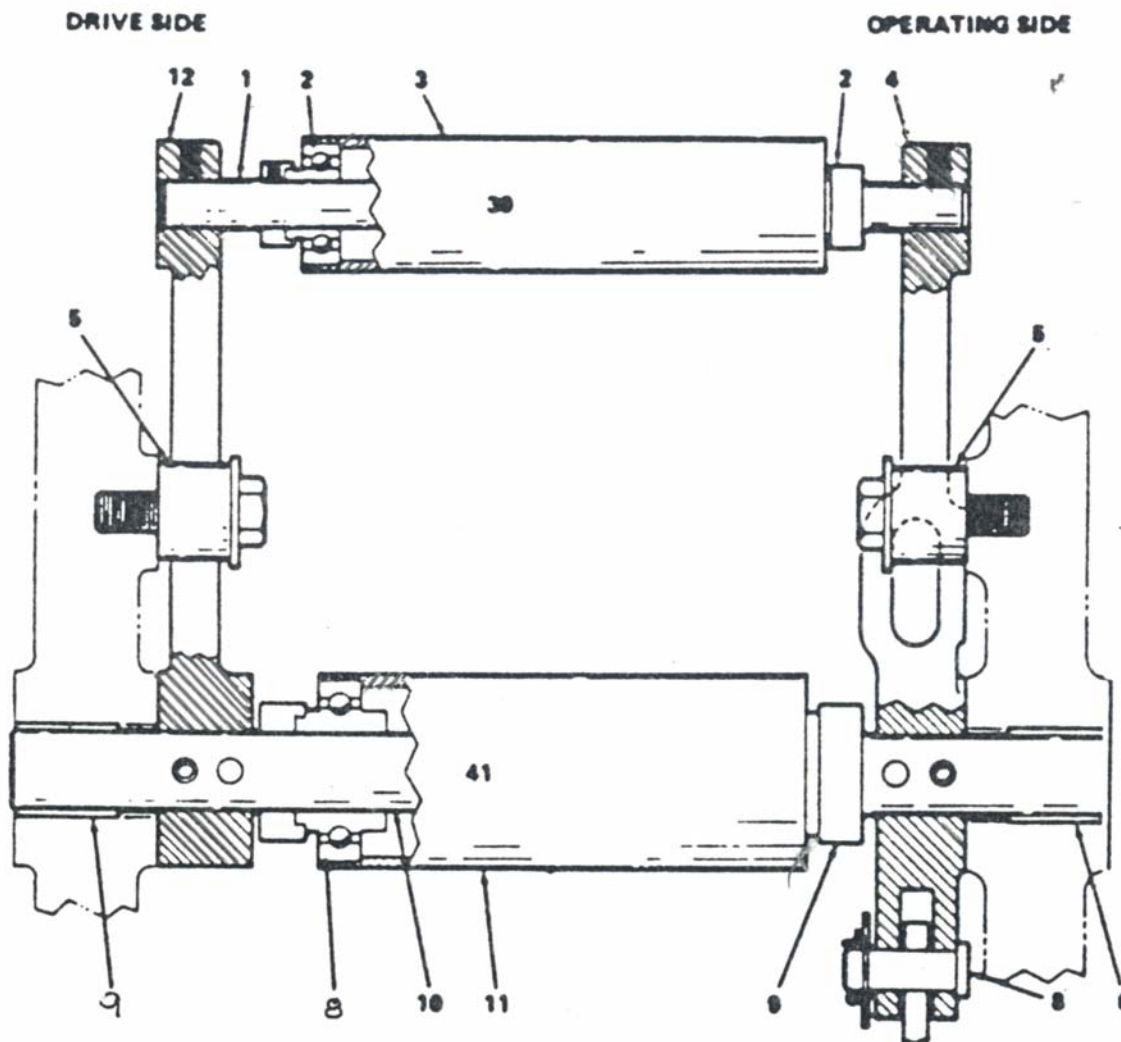
COMMUNITY UNIT



LEAD-IN ROLLER & IDLER ROLLER ASSEMBLY

NO.	STOCK NO.	DESCRIPTION	GOSS PART NO.
1	40081	Body Fit Cap Screw	12AR-008906
2	40115	Bearing with Collar	6-722605
3	30017	Shaft	1B-108642
4	40646	Roller	B-108353

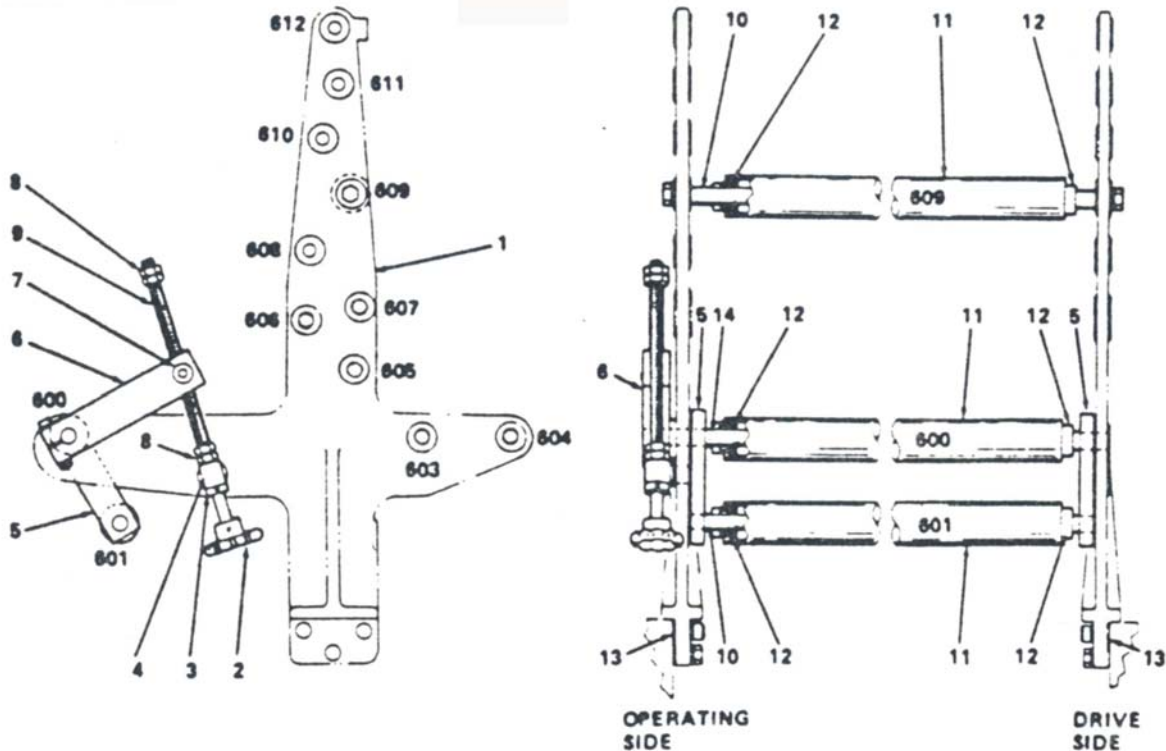
COMMUNITY UNIT



GOVERNOR ROLLER & LEAD-IN ROLLER ASSEMBLY

NO.	STOCK NO.	DESCRIPTION	GOSS PART NO.
1	30016	Govenor Roller Shaft	1B-108643
2	40015	Bearing with Collar	6-722605
3	30025	Govenor Roller	1B-108425
4	30098	Spring Roller Lever - Op. Side	1C-089812
5	30010	Bumper	B-108467
6	30024	Bushing	36-729400
7	40172	Clevis Pin	6216-863308
8	30100	Bearing with Collar	10-722605
9	30101	Lead-In Roller Shaft	B-140771
10	30026	Lead-In Roller	3C-053429
11	30099	Spring Roller Lever - Dr. Side	1C-090065

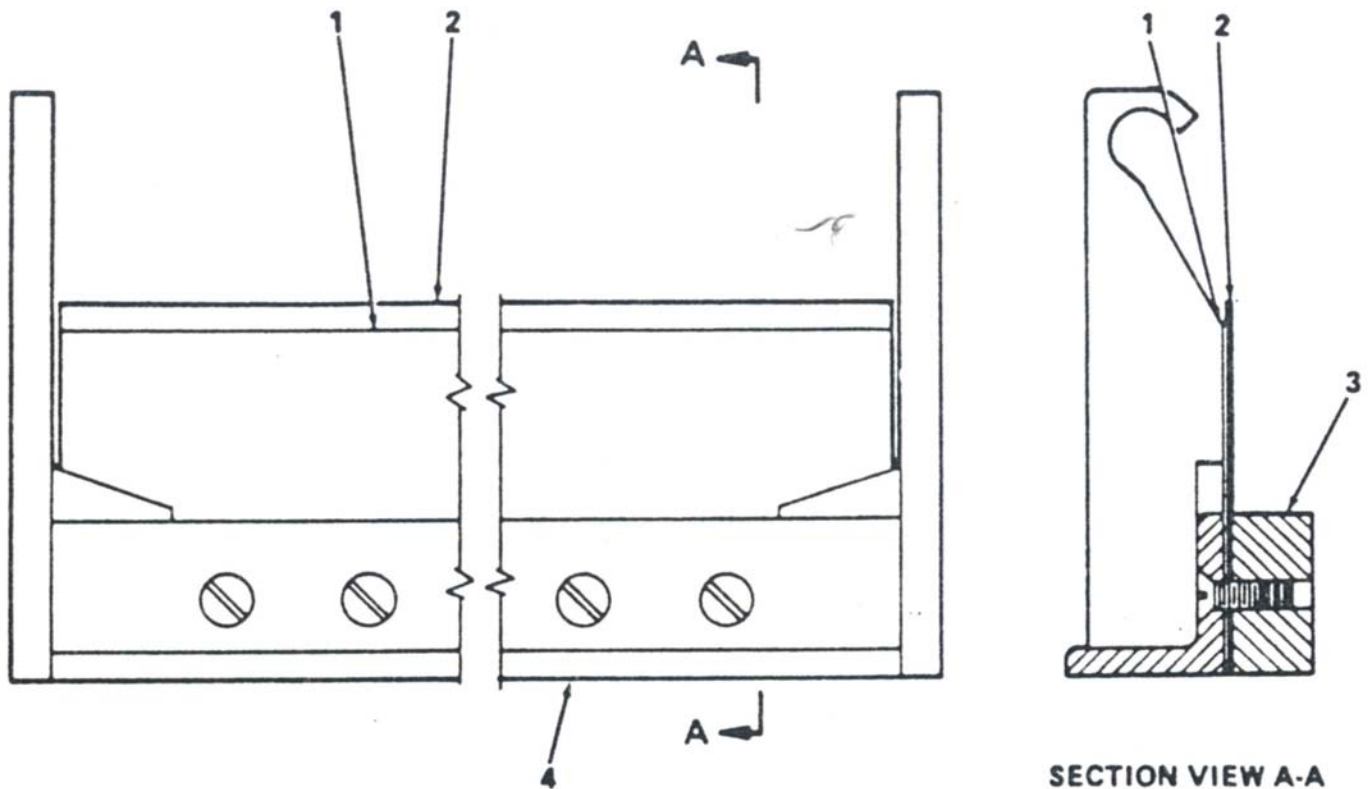
COMMUNITY UNIT



ROLLER BRACKET & COMPENSATOR ASSEMBLY

NO.	STOCK NO.	DESCRIPTION	GOSS PART NO.
1	40687	Frame	E-005064
2	40688	Handknob	B-108746
3	40689	Collar	B-144279
4	40690	Stud	B-144276
	40851	Stud	B-108745
5	40691	Inside Lever	B-144747
	40852	Inside Lever	B-108747
6	40692	Outside Lever	B-108748
7	40693	Swivel Pin	B-108744
	40853	Swivel Pin	B-144281
8	40854	Jam Nuts	3118C-040149
9	40694	Adjusting Rod	B-108743
	40690	Adjusting Rod	B-144276
10	30017	Shaft	B-108642
11	30025	Roller	B-108425
12	40695	Bearing with Collar	
13	40696	Shim	B-145153
14	30016	Shaft	3B-108643

COMMUNITY UNIT



WASHUP DEVICE

NO.	STOCK NO.	DESCRIPTION	GOSS PART NO.
1	40016	Scraper Spring	B-095811
2	40015	Scraper Blade	B-095812
3	40352	Support Bar	C-053128
4	40353	Bracket	C-059956
	40351	Complete Assembly	



1-888-434-0888
TOLL FREE

GOSS COMMUNITY FOLDER

Table of Contents

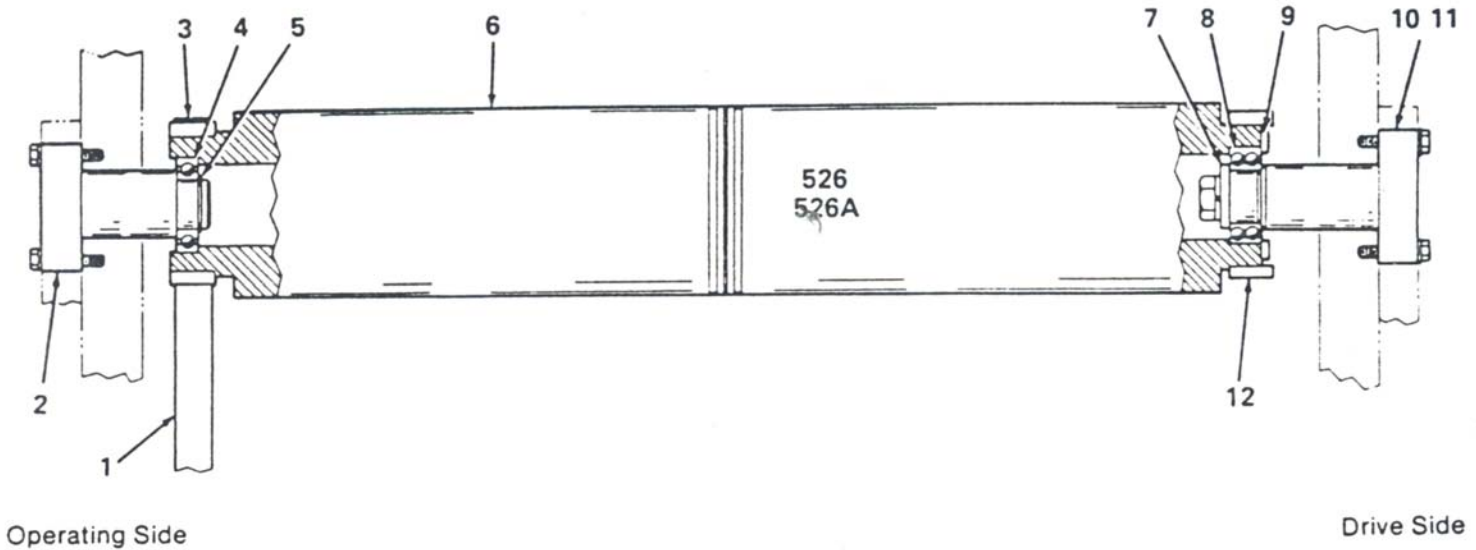
Title:	Page
Roller Top of Former	<u>3</u>
Idler Pulley - R.T.F. Drive	<u>4</u>
Belt Tightener - R.T.F. Drive	<u>5</u>
Trolley Assembly	<u>6</u>
Former Assembly	<u>7</u>
Roller Point of Former	<u>8</u>
Nipping Roller Assembly	<u>9</u>
Second Nipping Rollers	<u>11</u>
Horizontal Drive - Upper Former	<u>13</u>
Intermediate Gears - Nip Roller Drive	<u>14</u>
Cutting Cylinder	<u>15</u>
Cutting Cylinder - Cross Section View	<u>17</u>
Knife Bar Assembly	<u>18</u>
Jaw Cylinder - Half Fold	<u>19</u>
Jaw Cylinder - Half Fold - Cross Section View	<u>21</u>
Jaw Cylinder - Parallel Fold	<u>23</u>
Jaw Cylinder - Parallel Fold	<u>24</u>
Delivery	<u>25</u>
Delivery - Choke Release Arrangement	<u>27</u>
Delivery Drive Idler Sprocket	<u>28</u>
Delivery Extension	<u>29</u>
Kicker	<u>30</u>
Kicker	<u>32</u>
Cutting Cylinder Shoe Assembly	<u>33</u>
Guide Shoes - Half Fold	<u>34</u>



1-888-434-0888
TOLL FREE

Stripper Shoe Assembly - Quarter Fold	<u>35</u>
Jaw Cylinder Combing Brush	<u>36</u>
Shoe Assembly	<u>37</u>
Jaw Cylinder Stripper Shoes	<u>39</u>
Combing Blade & Stripper Assembly - Parallel Fold	<u>40</u>
Drive Shafts & Trolley Shaft - Quarter Fold	<u>41</u>
Main Drive Shaft Assy - Single Motor	<u>43</u>
Main Drive Shaft Assy - Dual Motor	<u>44</u>
Vertical Drive Shaft Assembly	<u>45</u>
Horizontal Drive to Jaw Cylinder	<u>46</u>
Drive Disconnect - Quarter Fold	<u>48</u>
Intermediate Drive Gear - Quarter Fold	<u>49</u>
Shoes - Parallel Fold	<u>50</u>
Centering Screw - Quarter Fold	<u>51</u>
Idler Sprocket Assembly - Nip Roller Drive	<u>52</u>
Tape Roller Assembly - Quarter Fold	<u>53</u>
Tape Take-up - Quarter Fold	<u>54</u>
Belt Tightener - Quarter Fold	<u>55</u>
Tape Drive Shaft Assembly - Quarter Fold	<u>56</u>
Lower Nipping Pulleys - Quarter Fold	<u>57</u>
Upper Nip Pulley - Quarter Fold	<u>58</u>
Folding Table - Quarter Fold	<u>59</u>
Tape & Paper Stop - Quarter Fold	<u>60</u>
Intermediate Folding Drive - Quarter Fold	<u>61</u>
Intermediate Gear to Folding Motion - Quarter Fold	<u>62</u>
Folding Motion - Quarter Fold	<u>63</u>
Folding Rollers - Quarter Fold	<u>64</u>
Delivery Shoes - Quarter Fold	<u>65</u>
Delivery Fly Shaft - Quarter Fold	<u>66</u>

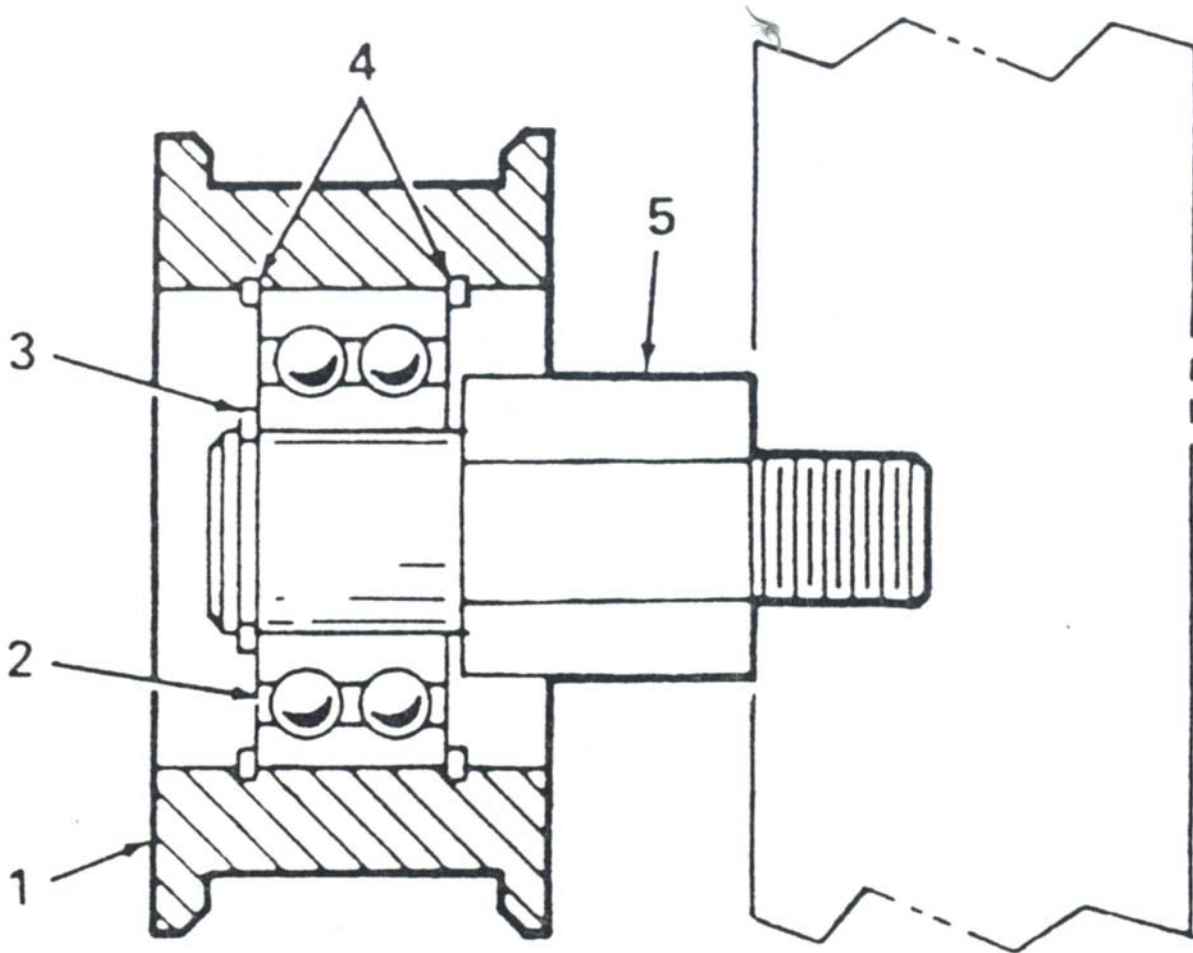
COMMUNITY FOLDER



ROLLER TOP OF FORMER

NO.	STOCK NO.	DESCRIPTION	GOSS PART NO.
1	21152	Timing Belt	502-723675
2	20569	Journal	1C-085507
3	20570	Pulley	1C-076938
4	21153	Bearing	6210C-040104
5	20571	Retaining Ring	1196-885470
6	20568	Roller Top opf Former (7" OD)	1C-076974
	20138	Roller Top opf Former (5" OD)	1C-076794
7	20572	Washer	522C-040070
8	20573	Bearing	280-722605
9	20574	End Plate	B-127277
10	20575	Shim Set	27C-040009
11	20576	Journal	1C-085506
12	20570	Pulley for belt to upper former.	1C-076938

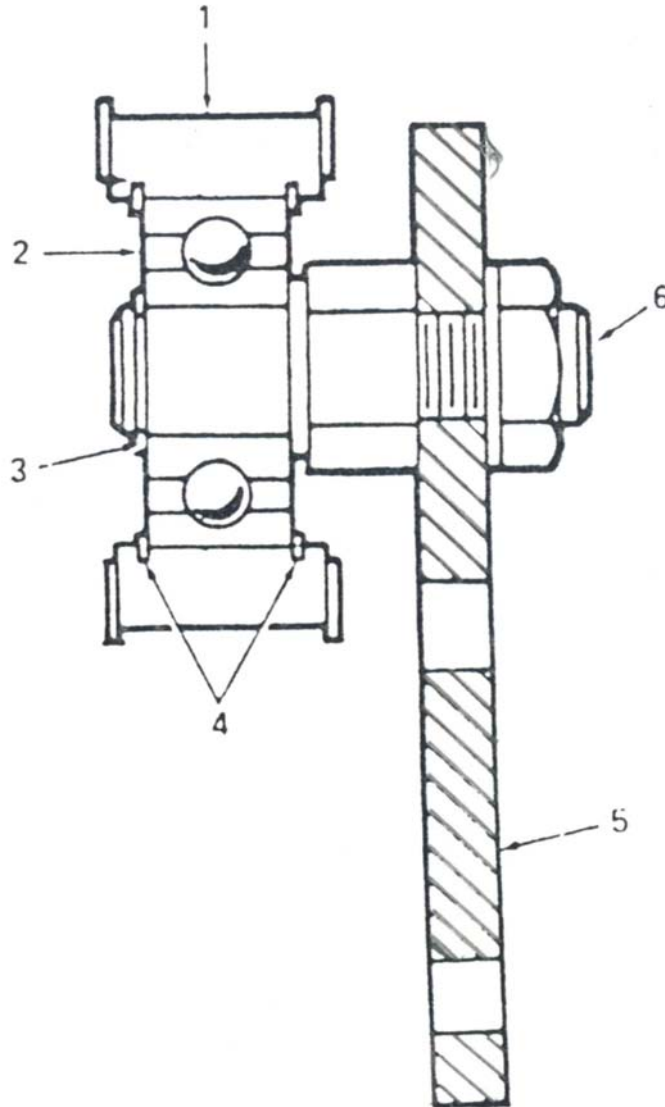
COMMUNITY FOLDER



IDLER PULLEY - R.T.F. DRIVE

NO.	STOCK NO.	DESCRIPTION	GOSS PART NO.
1	20580	Idler Pulley	1B-102679
2	20581	Bearing	285-722605
3	20582	Retaining Ring	98C-040164
4	21168	Retaining Ring	545-885470
5	20583	Stud	B-096093

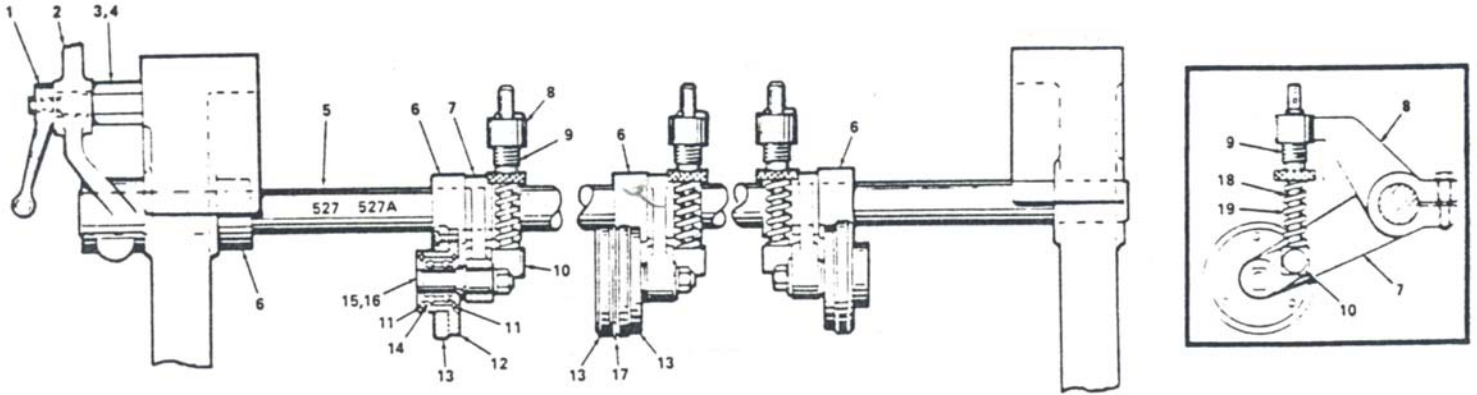
COMMUNITY FOLDER



BELT TIGHTENER - R.T.F. DRIVE

NO.	STOCK NO.	DESCRIPTION	GOSS PART NO.
1	20580	Idler Pulley	1B-102679
2	20581	Bearing	285-722605
3	20582	Retaining Ring	98C-040164
4	21168	Retaining Ring	545-885470
5	21169	Belt Tighten Lever	C-097707
6	20583	Stud	C-096093

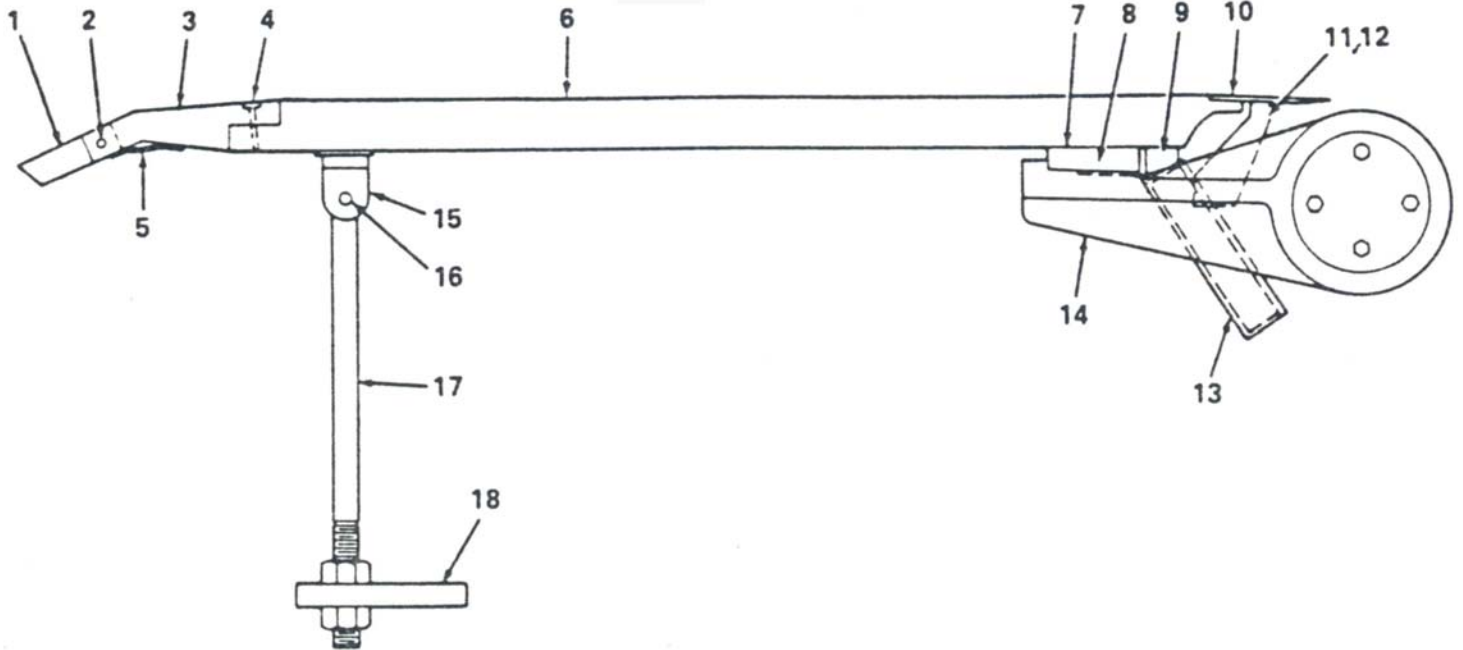
COMMUNITY FOLDER



TROLLEY ASSEMBLY

NO.	STOCK NO.	DESCRIPTION	GOSS PART NO.
1	20350	Locknut	1B-098522
2	20584	Hand Lever	1B-073979
3	20585	Stud	1B-098533
4	20586	Washer	1AR-007114
5	20587	Trolley Shaft	1B-097777
6	20588	Collar	1500C-040081
7	20589	Lever	1B-113472
8	20590	Spring Lever	1B-118184
9	20371	Adjusting Screw	1A-008886
10	20392	Spring Rod Stud	1A-008888
11	188	Retaining Ring	535-885470
12	20336	Trolley Hub	1B-113477
13	20096	Trolley	1B-113736
14	1854	Bearing	274-722605
15	20388	Spindle	1B-113497
16	1856	Retaining Ring	78C-040164
17	20003	Slitter Knife	1B-113739
18	20362	Spring Rod	1D-075796
19	20163	Spring	1A-008889

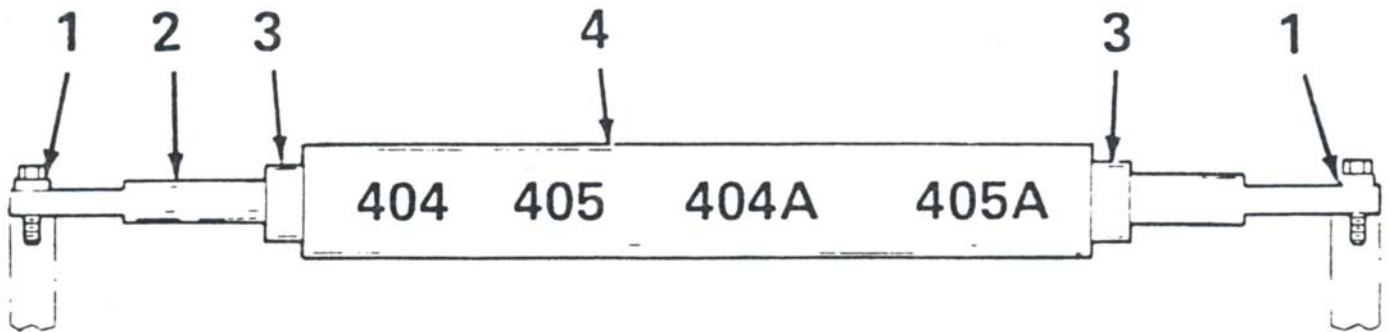
COMMUNITY FOLDER



FORMER ASSEMBLY

NO.	STOCK NO.	DESCRIPTION	GOSS PART NO.
1	20591	Former Nose	1B-117469
2	20592	Screw for Nose	AR-003409
3	20593	Former Point	D-021491
4	20594	Screw for Point	AR-002874
5	20164	Spring	1AR-004104
6	20596	Former	1D-017547
7	20597	Shim	14B-120452
8	20598	Support Bar	C-076939
9	20599	Vertical Adjustment Bracket	1B-104842
10	20600	Insert	C-059072
11	20157	Slitter Scraper	B-124768
12	20158	Bracket For Scraper	B-124769
13	20601	Dust Pan	1C-059248
14	20602	Support Bracket	C-076973
15	20599	Adjustment Bracket	1B-104842
16	20604	Coupling Bolt	12C-040008
17	20605	Support Rod	1B-097733
18	20606	Support Rod Bracket	B-124766

COMMUNITY FOLDER



ROLLER POINT OF FORMER

NO.	STOCK NO.	DESCRIPTION	GOSS PART NO.
1	20603	Washer	AR-008361
2	20142	Shaft	B-104444
3	30100	Bearing	10-722605
4	20183	Roller	1C-058981

www.a-americanpressparts.com

Check our website for updates!



1-888-434-0888
TOLL FREE

COMMUNITY FOLDER

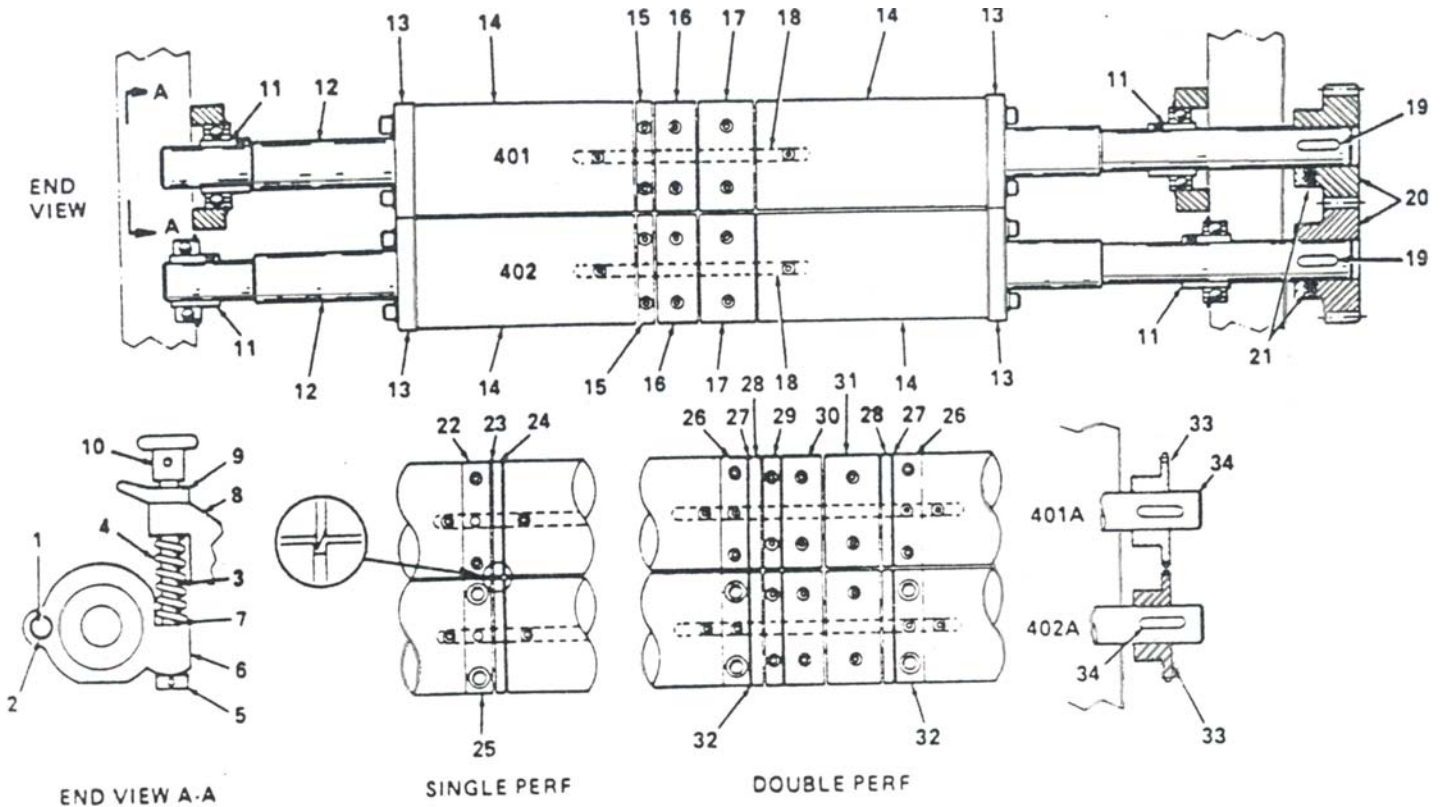
NIPPING ROLLER ASSEMBLY

NO.	STOCK NO.	DESCRIPTION	GOSS PART NO.
1	20604	Stripper Bolt	751c-040131
2	20107	Bushing	29-729400
3	20605	Adjustment Rod	1B-10267
4	20162	Spring	AR-004434
5	20349	Collar	1B-102672
6	20345	Lever	C-057782
7	20334	Washer	AR-001390
8	20606	Bracket	1B-102672
9	20607	Locknut	AR-001652
10	20608	Knob	1B-102674
11	20270	Bearing	78-722687
12	20143	Shaft	4C-063373
13	20131	Nipping Ring	1B-140827
14	20609	Pulley for Nipping Roler	1B-147988
15	20610	Filler Ring, 7/8 inch	1B-127221
16	20611	Filler Ring, 1/2 inch	4B-127221
17	20612	Filler Ring, 2 inch	7B-127221
18	20613	Key	14B-089054
19	20614	Key	100C-040003
20	20123	Gear	1C-070403
21	40032	Spotting Set Screw	2B-105603
22	20615	Perforator Pulley	B-107778
	20358	Perforator Pulley	B-108645
23	1800	Perforator Knife	B-107779
24	20616	Knife Retainer	B-107786
25	20357	Perforator Pulley	B-107788
	20358	Perforator Pulley	B-108645
26	20357	Perforator Pulley	B-107788
27	20617	Knife	B-111491
28	20616	Knife Retainer	B-107786
29	20610	Filler Ring, 7/8 inch	1B-127221
30	20611	Filler Ring, 1/2 inch	4B-127221
31	20612	Filler Ring, 2 inch	7B-127221
32	20357	Perforator Pulley	B-107788
33	20170	Sprocket	1B-110416
34	20614	Key	100C-040003

www.a-americanpressparts.com

Check our website for updates!

COMMUNITY FOLDER



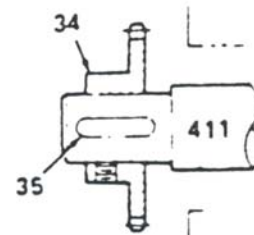
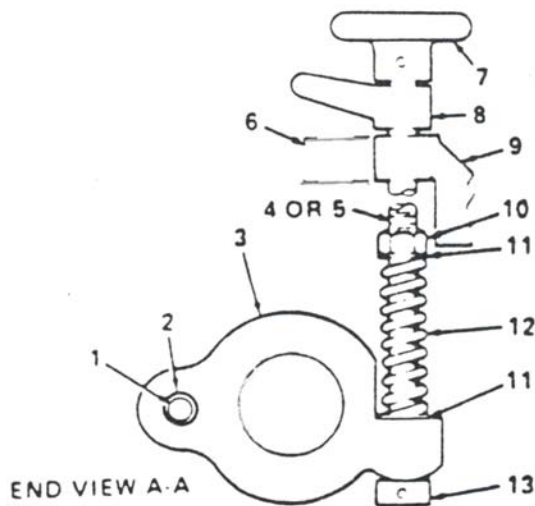
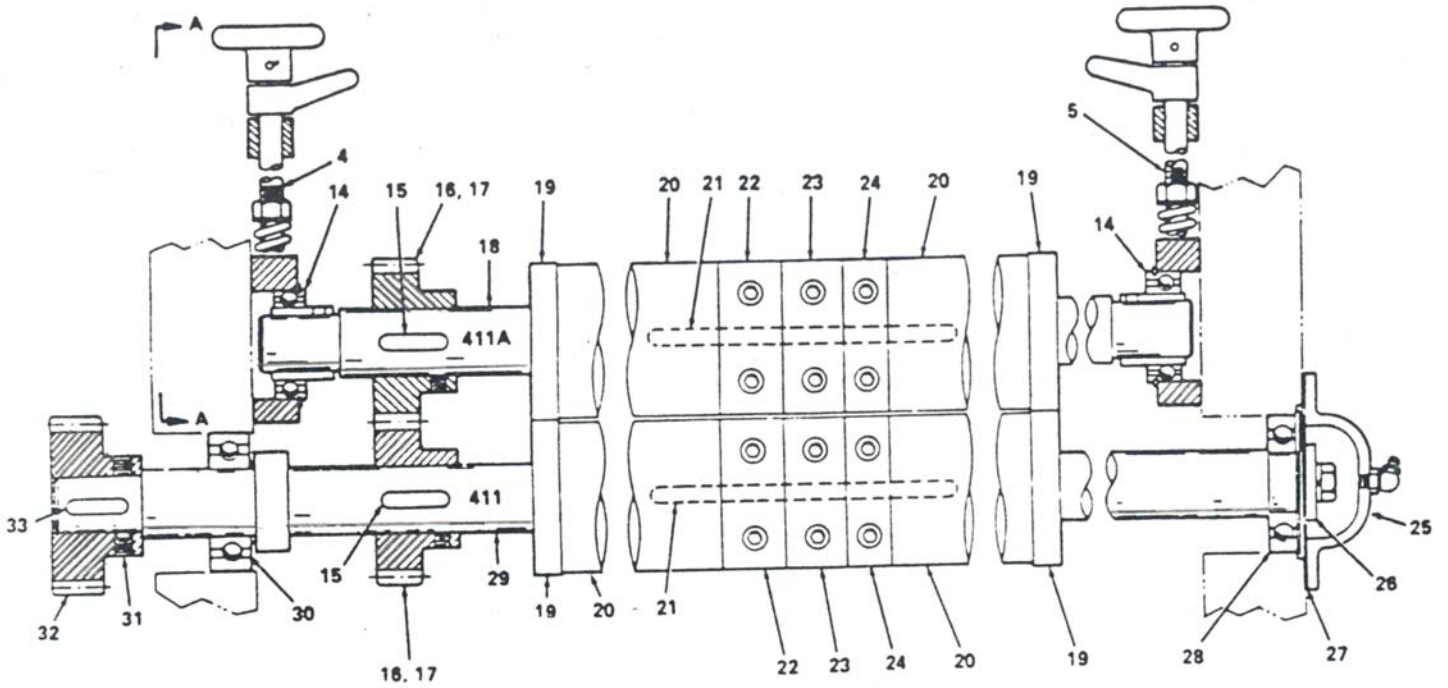


1-888-434-0888
TOLL FREE

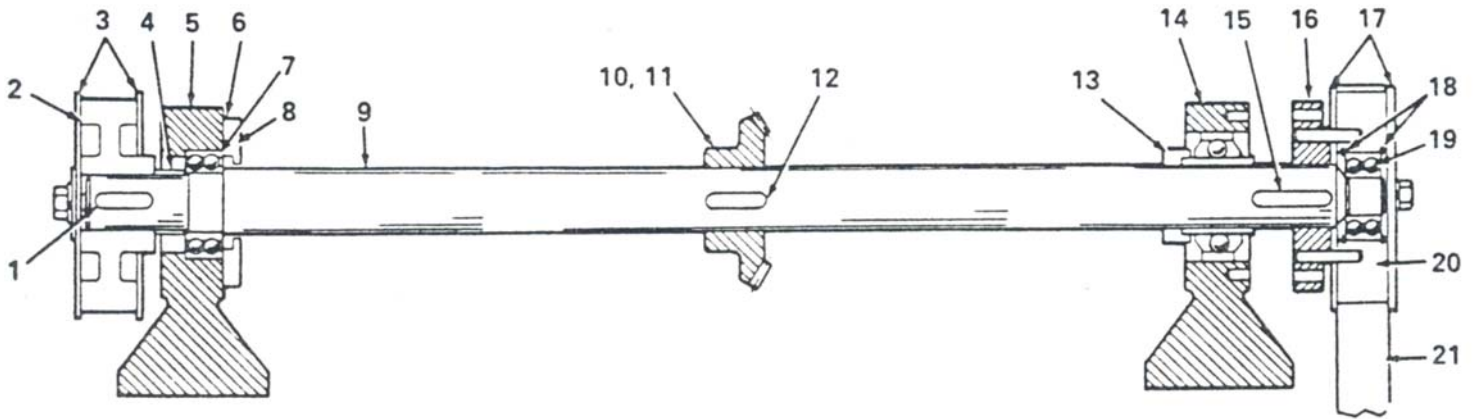
COMMUNITY FOLDER

SECOND NIPPING ROLLERS

NO.	STOCK NO.	DESCRIPTION	GOSS PART NO.
1	20604	Stripper Bolt	751C-040131
2	2107	Bushing	29-729400
3	20345	Lever	1C-057782
4	20618	Adjustment Rod, Dr. Side	4B-102673
5	20619	Adjustment Rod, Op. Side	5B-102673
6	20620	Bracket, Op Side	1B-127224
7	20608	Knob	1B-102674
8	20609	Locknut	AR-001708
9	20606	Bracket, Dr. Side	B-102675
10	20621	Nut	5020C-040148
11	20334	Washer	AR-001390
12	20162	Spring	AR-004434
13	20349	Collar	1B-102672
14	21154	Bearing	335-722605
15	20622	Key	125C-040003
16	20124	Gear	1C-076916
17		Spotting Set Screw	
18	20144	Adjustable Shaft	1C-076917
19	20131	Nipping Ring	1B-140827
20	20623	Nipping Roller Pulley	21B-107783
21	20624	Key	6B-089054
22	20612	Filler Ring, 2 inch	7B-127221
23	20611	Filler Ring, 1-1/2 inch	4B-127221
24	20610	Filler Ring, 7/8 inch	1B-127221
25	20625	End Plate	26B-055044
26	20626	Washer	416C-040070
27	20627	Shim Set	57C-040009
28	20628	Bearing	233-722605
29	20145	Fixed Shaft	1C-076918
30	20629	Bearing	11-722605
31		Spotting Set Screw	
32		Gear	
33	20614	Key	100C-040003
34	20170	Sprocket	1B-110416
35		Key	



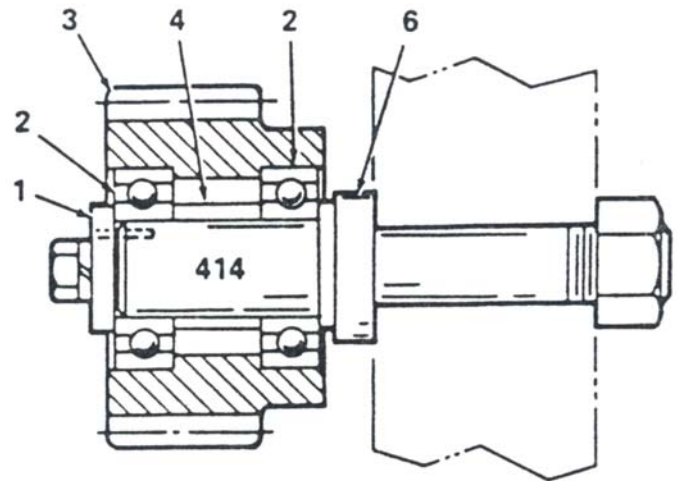
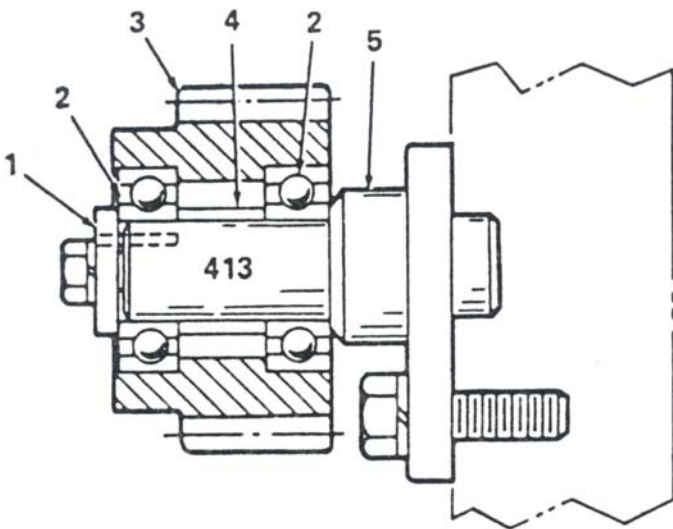
COMMUNITY FOLDER



HORIZONTAL DRIVE - UPPER FORMER

NO.	STOCK NO.	DESCRIPTION	GOSS PART NO.
1	40557	Key	174C-040003
2	20630	Pulley	1C-076887
3	20631	Retaining Ring	4B-109286
4	20632	Spacer	3610C-040064
5		Bracket	
6	20633	Shim Set	5B-103178
7	20634	Bearing	279-722605
8	20635	End Plate	1B-103177
9	20636	Shaft	1C-077042
10	20637	Bevel Gear	2C-077041
11	40074	Spotting Set Screw	1AR-001447
12	20638	Key	175C-040003
13	20639	Bearing	1C-077037
14	20640	Bracket	1C-077038
15	20641	Key	223C-040003
16	20642	Silencing Hub	1C-077039
17	20631	Retaining Plate	4B-109286
18	20644	Retaining Ring	552-885470
19	1983	Bearing	286-722605
20	20645	Pulley	1C-077040
21	20180	Timing Belt	358-723675

COMMUNITY FOLDER



INTERMEDIATE GEARS - NIP ROLLER DRIVE

NO.	STOCK NO.	DESCRIPTION	GOSS PART NO.
1	40600	Washer	312C-040070
2	4406	Bearing	289-722605
3	20643	Gear	1C-066095
4		Spacer	
5	20646	Stud	1C-066097
6	20647	Stud	1B-110082



1-888-434-0888
TOLL FREE

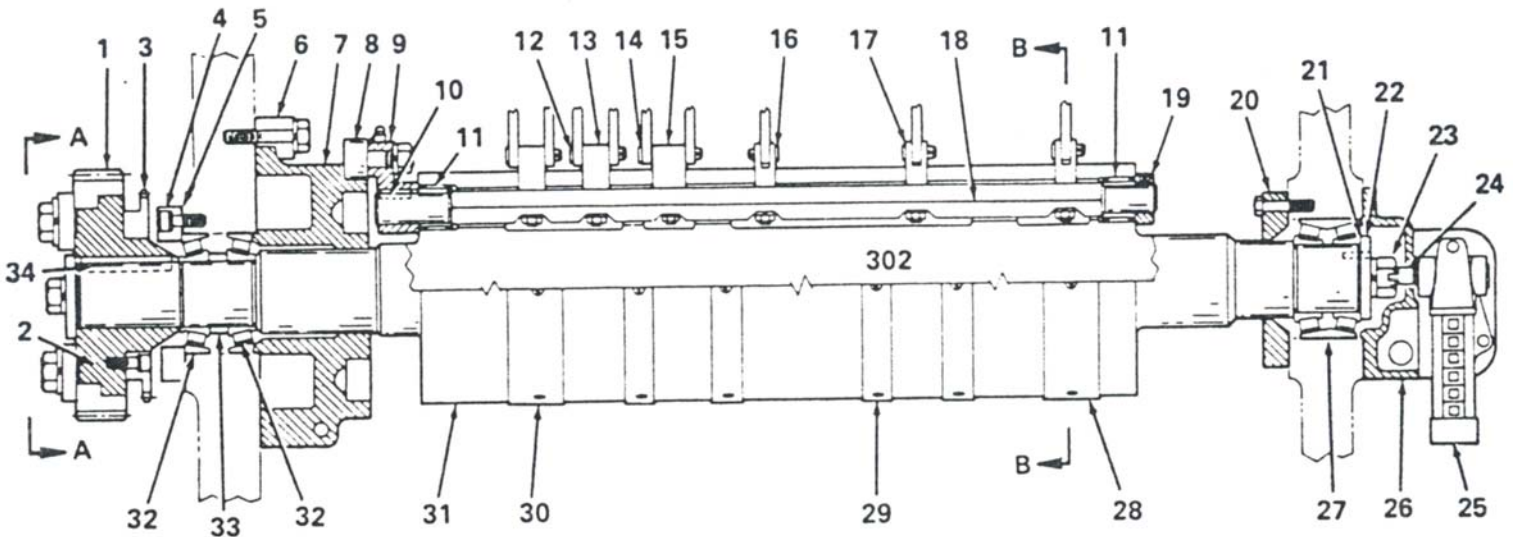
COMMUNITY FOLDER

CUTTING CYLINDER

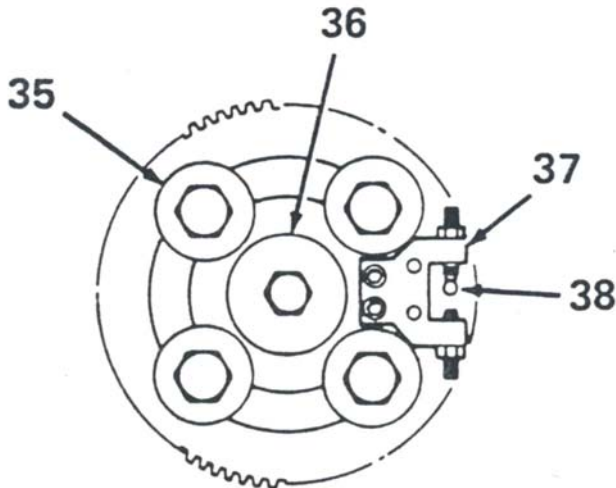
NO.	STOCK NO.	DESCRIPTION	GOSS PART NO.
1	20125	Gear Rim	C-061232
2	20648	Hub for Gear	C-061233
3	20649	Sprocket	1C-076920
4	20650	End Plate	1B-127223
5	20651	Shim Set	5B-094851
6	20652	Clamping Lug	1B-144810
7	20108	Cam Assembly	1B-119534
	20109	Cam Assembly	1D-032853
8	20113	Cam Follower	1031-766509
9	20521	Pin Cam Lever	B-097520
	21155	Pin Cam Lever	B-149697
10	20653	Key	51C-040003
11	20654	Needle Bearing	550-722657
12	20001	Clevis Pin	42-863300
13	20462	Pin Lever	1B-102382
14	21156	Clevis Pin	43-863300
15	21157	Pin Lever	B-151453
16	20135	Clevis Pin	40-863300
17	20049	Pin Lever	B-102300
18	20655	Pin Lever Shaft	1C-061591
19	20656	Collar	875C-040081
20	20657	End Plate	B-097636
21	20658	Shim Set	4B-099118
22		Washer	
23		Cap Screw	
24	20659	Sleeve for Counter Shaft	1A-005302
25	20660	Counter Assembly	FR-013167
26		End Cap	
27	20661	Roller Bearing	1027-722673
28	20662	Friction Strip	1B-104418
29	20663	Friction Strip	1B-104417
30	20664	Friction Strip	1B-107843
31	20666	Cylinder	F-000525
32	20667	Roller Bearing	1029-722673
33	20668	Spacer	3B-095937
34	30085	Key	247C-040003

www.a-americanpressparts.com

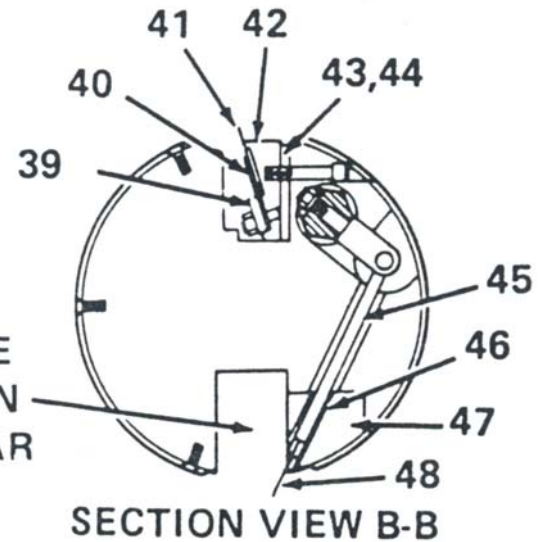
Check our website for updates!



COMMUNITY FOLDER



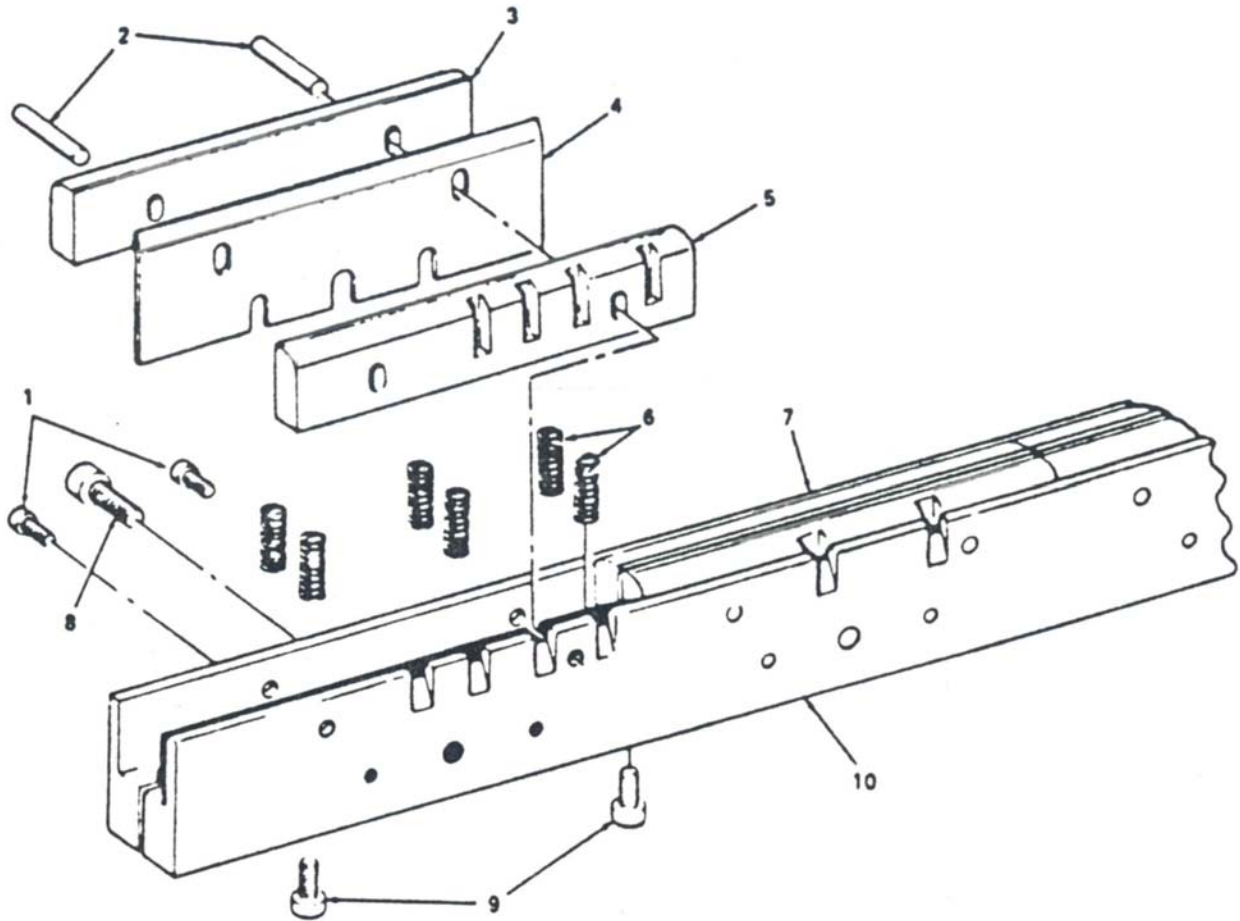
SEE SEPARATE
 ILLUSTRATION
 FOR KNIFE BAR



CUTTING CYLINDER - CROSS SECTION VIEW

NO.	STOCK NO.	DESCRIPTION	GOSS PART NO.
35	21158	Washer	AR-000595
36	20670	Washer	1AR-005944
37	20671	Adjusting Block	1B-107320
38	40649	Dowel Pin	147C-040001
39	20672	Clamp Bar	1B-106619
40	20074	Leaf Spring	2B-097521
41	20073	Folding Blade	2C-062346
	20072	Folding Blade	C-054631
42	20198	Folding Blade Bar	1D-018639
	21159	Folding Blade Bar	1D-035131
43		Even Fold Spacer, 1/8" thk.	3B-110334
44	20673	Even Fold Spacer, 21/64" thk.	1B-107838
45	1834	Pin Post	B-047169
46	20136	Bushing	25-729457
47	20674	Insert	2D-028927
48	2061	Pin	1A-009563
	1707	Pin	2A-009563

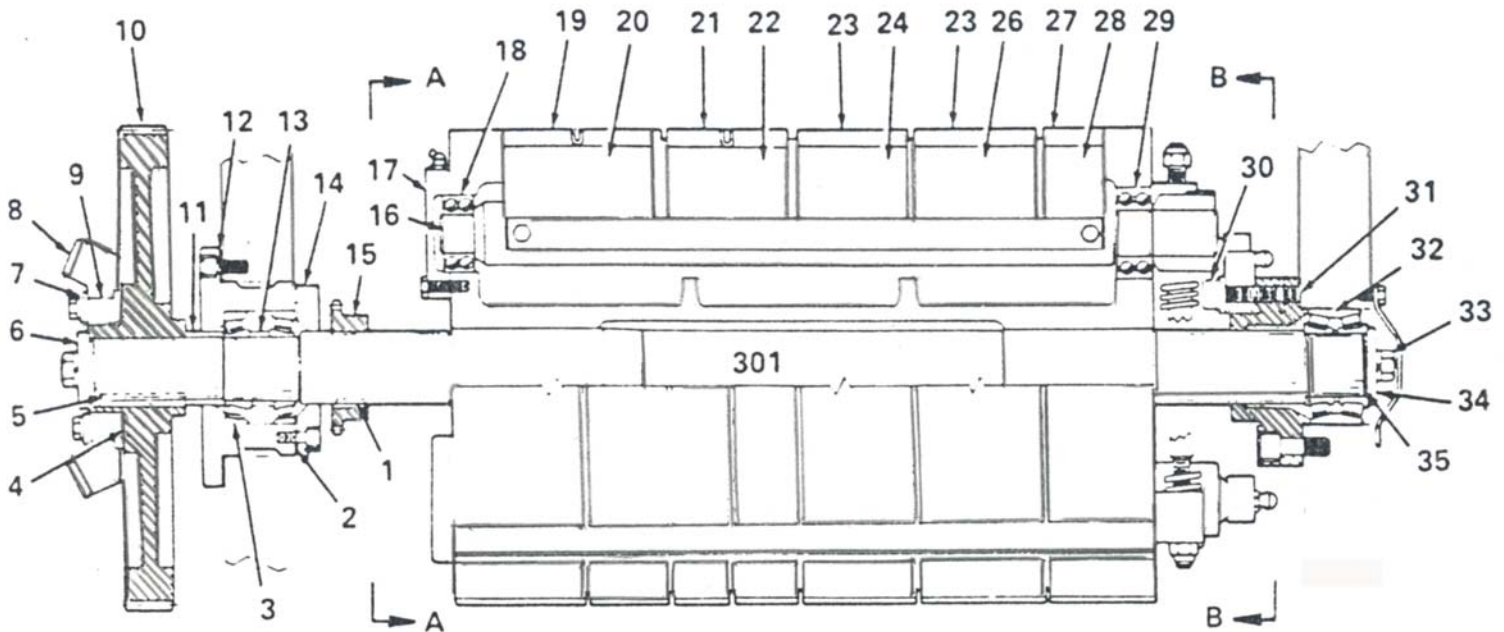
COMMUNITY FOLDER



KNIFE BAR ASSEMBLY

NO.	STOCK NO.	DESCRIPTION	GOSS PART NO.
1	20675	Mounting Screw	408-891201
2	20053	Knife Bar Pin	2A-009550
3	20118	Cushion, without Pin Slots	B-097598
4	1742	Cutting Knife	1B-104419
5	20120	Cushion, with Pin Slots	B-105028
		Specify detail number	
6	20008	Cushion Spring	1AR-004412
7	20051	Knife Bar	E-002677
8	20676	Clamping Screw	6220C-040132
9	1705	Adjusting Screw	1AR-002213
10	20051	Knife Bar	E-002677

COMMUNITY FOLDER



JAW CYLINDER - HALF FOLD

NO.	STOCK NO.	DESCRIPTION	GOSS PART NO.
1	20677	Key	77C-040003
2	20651	Shim Set	5B-094851
3	20667	Bearing	1029-722673
4		Shim Set	
5	30085	Key	247C-040003
6	20670	Washer	1AR-005944
7	40433	Washer	1B-114552
8	20127	Bevel Gear	C-068498
9	20475	Sleeve	1B-114202
10	20126	Gear	C-066300
11	20678	Spacer	B-094886
12	20679	Sleeve & Shim Set	9A-003010
13	20680	Spacer	2B-095937
14	20681	End Plate	1B-097409
15	20171	Delivery Drive Sprocket	1B-110148



1-888-434-0888
TOLL FREE

COMMUNITY FOLDER

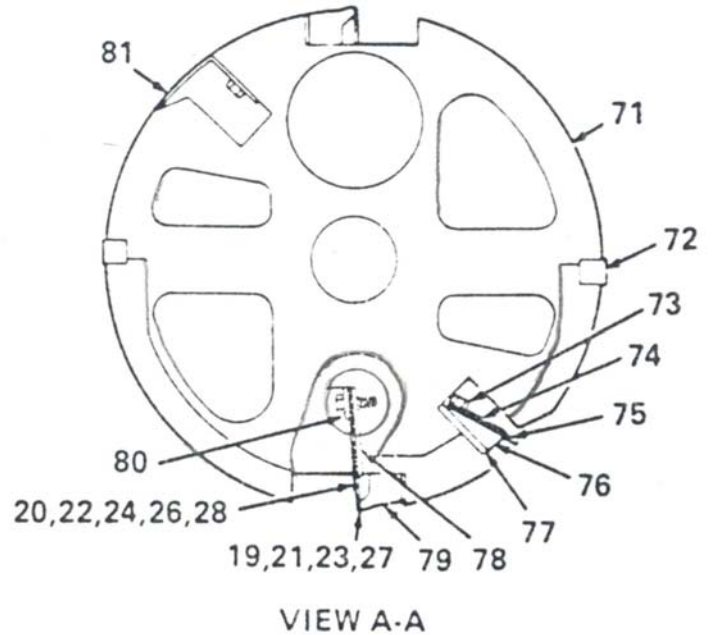
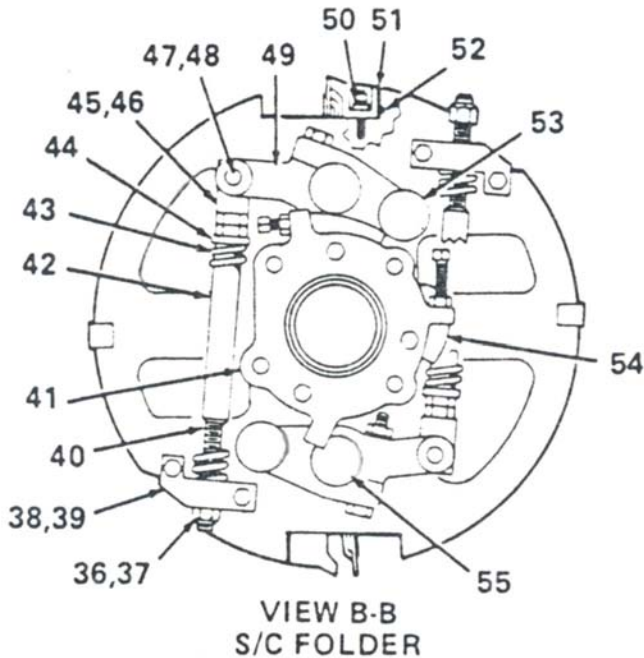
JAW CYLINDER - HALF FOLD

NO.	STOCK NO.	DESCRIPTION	GOSS PART NO.
16		Retaining Ring	
17	20665	End Plate	B-110149
18	20682	Bearing	269-722605
19	20080	Gripper	B-097693
	20099	Gripper	B-106567
20	20448	Stiffener	B-107856
21	20082	Gripper	3B-097693
22	20448	Stiffener	B-107856
23	20081	Gripper	2B-097693
24	20448	Stiffener	B-107856
25	20080	Gripper	B-097693
26	20448	Stiffener	B-107856
27	20080	Gripper	B-097693
	20099	Stiffener	B-106567
28	20448	Stiffener	B-107856
29	20683	Bearing	277-722605
30	20684	Collar Nut	5-846500
31	20685	Nylok Set Screw	1560-891214
32	20661	Bearing	1027-722673
33	20686	Special Screw	1B-097811
34	20687	Washer	524C-040010
35	20688	Shim Set	4B-099448

www.a-americanpressparts.com

Check our website for updates!

COMMUNITY FOLDER



JAW CYLINDER - HALF FOLD - CROSS SECTION VIEW

NO.	STOCK NO.	DESCRIPTION	GOSS PART NO.
36	20689	Castellated Nut	502-846509
37	20690	Cotter Pin	612C-040153
38	20691	Spring Rod Support	1B-110078
39	20100	Bronze Bearing	200-729400
40	30080	Spring Rod	1B-097411
41	20692	Jaw Cam Mounting Bracket	C-054867
42	20390	Spring Bushing	1B-097734
43	20393	Jaw Spring	1B-097735
44	20693	Washer	1B-148105
45	20694	Spring Rod Block	1B-097412
46	20101	Bushing	25-729400
47	20370	Spring Rod Pin	1B-097413
48	4460	Retaining Ring	50C-040164
49	20129	Cam Lever	1C-054540
50	20693	Washer	1B-148105



1-888-434-0888
TOLL FREE

COMMUNITY FOLDER

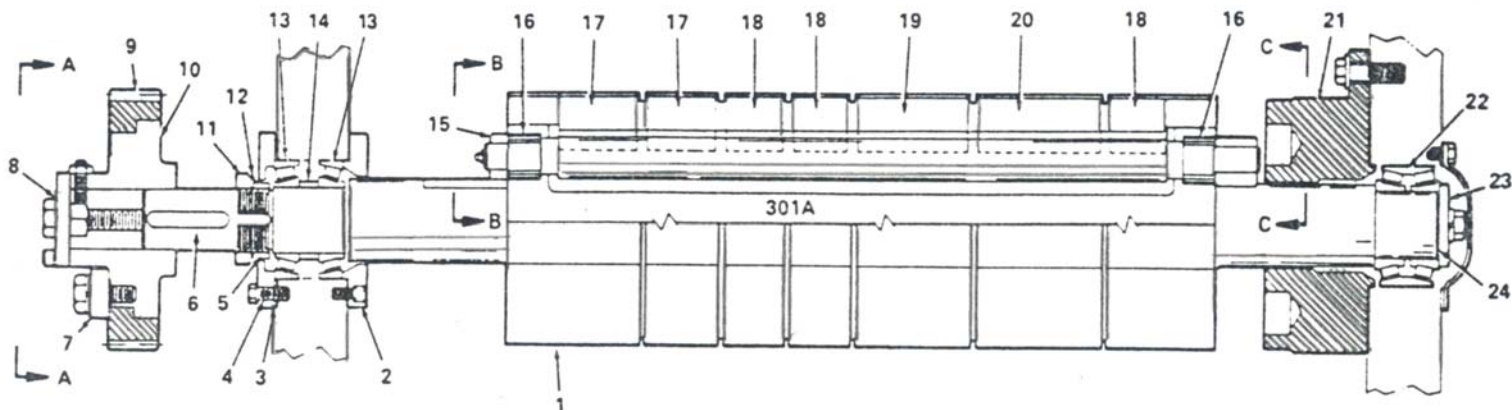
JAW CYLINDER - HALF FOLD - CROSS SECTION VIEW

NO.	STOCK NO.	DESCRIPTION	GOSS PART NO.
52	20697	Spring Plunger	254-865700
53	20112	Cam Follower	1016-766509
54	20110	Jaw Cylinder Cam	1C-090398
55	20156	Jaw Shaft	1C-059357
71	20698	Cylinder	ER-017198
	20699	Cylinder	E-006104
72	20188	Cutting Rubber	1B-105031
	20194	Cutting Rubber	1B-147998
73	20700	Clamp Bar	1B-107488
	20672	Clamp Bar	1B-106619
74	20074	Leaf Spring	2B-097521
75	20078	Tucker Blade	1C-063194
76	20198	Tucker Blade Bar	1D-018639
77	20366	Spacer	B-110334
	20673	Spacer	B-107838
78	20342	Backing Plate	1C-061242
79	20695	Stationary Jaw	1C-059360
	20701	Stationary Jaw	D-035110
80	20700	Clamp Bar	1B-107488
81	20702	Filler Plate	1C-099966

www.a-americanpressparts.com

Check our website for updates!

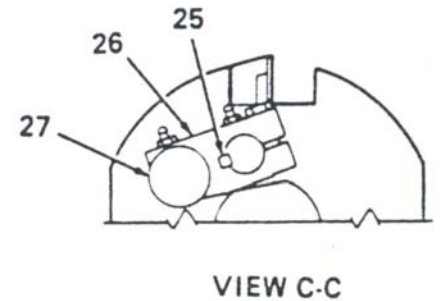
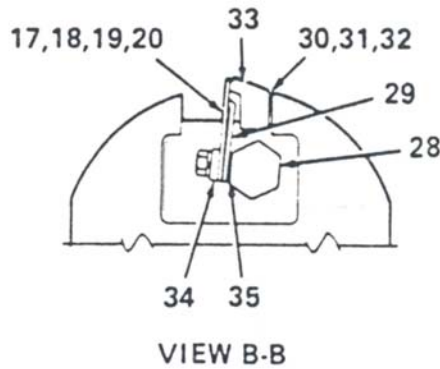
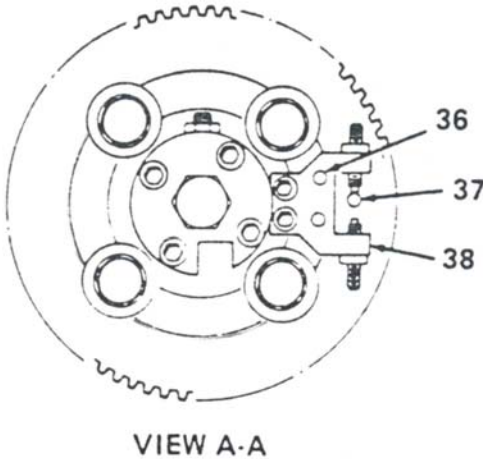
COMMUNITY FOLDER



JAW CYLINDER - PARALLEL FOLD

NO.	STOCK NO.	DESCRIPTION	GOSS PART NO.
1	20703	Jaw Cylinder	1ER-017222
2	20704	End Plate	B-110423
3	20658	Shim Set	4B-099118
4	20705	End Plate	B-110222
5	20668	Spacer	3B-095937
6	40531	Key	222C-040003
7	20706	Washer	1AR-007007
8	20707	Silencing Screw Assembly	1B-110536
9	20128	Gear Rim	1C-063392
10	20708	Gear Hub	1C-063526
11	20709	Bearing Locknut	110C-040123
12	1981	Bearing Lockwasher	110C-040124
13	20667	Bearing	1029-722673
14	20710	Spacer	4104C-040065
15	20656	Collar	875C-040081
16	20711	Needle Bearing	553-722657
17	20712	Movable Jaw	1B-110314
18	20713	Movable Jaw	2B-110315
19	20714	Movable Jaw	3B-110316
20	20715	Movable Jaw	4B-110317
21	20111	Jaw Cam Assembly	1D-022116
22	20661	Bearing	1027-722673
23	20669	Washer	524C-040070
24	20651	Shim Set	5B-094851

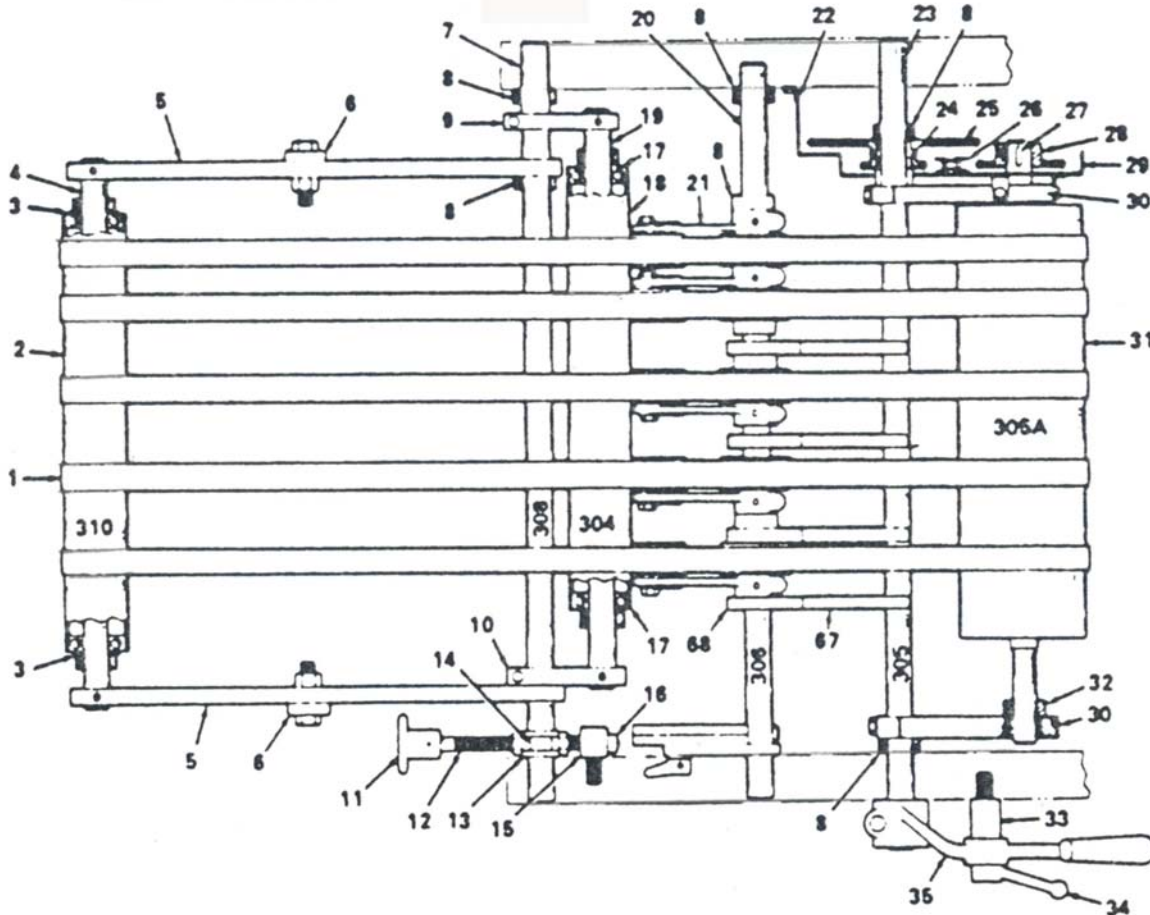
COMMUNITY FOLDER



JAW CYLINDER - PARALLEL FOLD

NO.	STOCK NO.	DESCRIPTION	GOSS PART NO.
25	40601	Key	87C-040003
26	20130	Cam Lever	1B-110305
27	20113	Cam Follower	1031-766509
28	20716	Jaw Shaft	1C-063391
29	20717	Backing Plate	1C-063396
30	20718	Jaw Spacer, one web	C-096795
31	20719	Jaw Spacer, two web	2C-096795
32	20720	Jaw Spacer, three web	3C-096795
33	20491	Stationary Jaw	1C-063395
34	20721	Clamp Bar	1B-110316
35	20722	Shim Set	4-110313
36		Dowel Pin	
37		Dowel Pin	
38	20723	Adjustment Block	1B-110538

COMMUNITY FOLDER



DELIVERY

NO.	STOCK NO.	DESCRIPTION	GOSS PART NO.
1	20724	Delivery Belt	2B-124063
2	20185	Roller	1C-058087
3	30100	Bearing	10-722605
4	20150	Shaft	9B-096343
5	20725	Delivery Arm	1C-058168
6	20726	Delivery Support	1B-100796
7	20149	Shaft	8B-096343
8	20266	Collar	1250C-040081
9	20727	Lever	8B-096207
10	20727	Lever	8B-096207
11	20728	Knob	10-815000
12	20729	Adjusting Screw	1B-100301
13	20730	Lever	1B-096208
14	20731	Swivel Pin	1B-096210



1-888-434-0888
TOLL FREE

COMMUNITY FOLDER

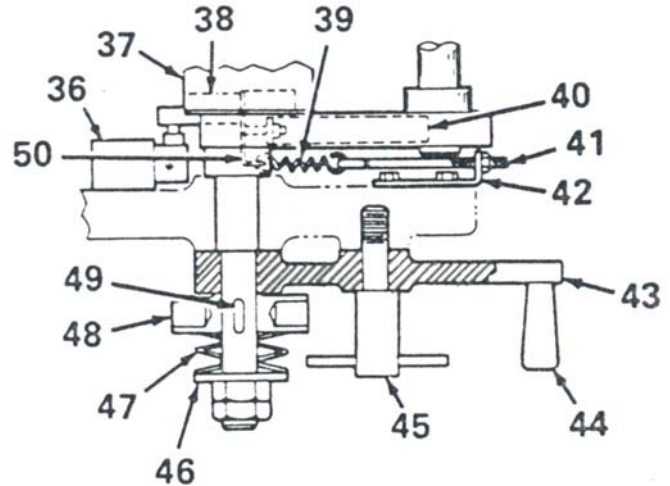
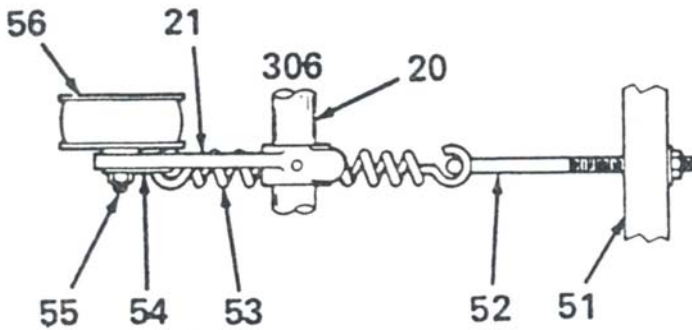
DELIVERY

NO.	STOCK NO.	DESCRIPTION	GOSS PART NO.
15	20732	Swivel Stud	1B-096209
16	20679	Collar	1820C-040082
17	20266	Bearing	1250C-040081
18	20184	Roller	1C-054485
19	20148	Shaft	6B-096343
20	20147	Shaft	1B-097330
21	20733	Tension Arm	B-111304
22	20734	Guard	1D-019300
23	20146	Shaft	23B-096343
24	20102	Bronze Bearing	2612C-040075
25	20173	Idler Sprocket	1C-063310
	20174	Idler Sprocket	C-088407
26	20114	Roller Chain	1076-732404
	20115	Roller Chain	1050-732404
27	20735	Key	52C-040004
28	20172	Drive Sprocket	1B-110197
29	20736	Guard	1C-063328
30	20737	Tension Lever with Cap	1B-110150
31	20738	Delivery Shaft	1C-059843
32	4685	Collar	1125C-040081
33	20739	Stud	AR-001192
34	20350	Locknut	B-098522
35	20740	Lever	B-110189

www.a-americanpressparts.com

Check our website for updates!

COMMUNITY FOLDER

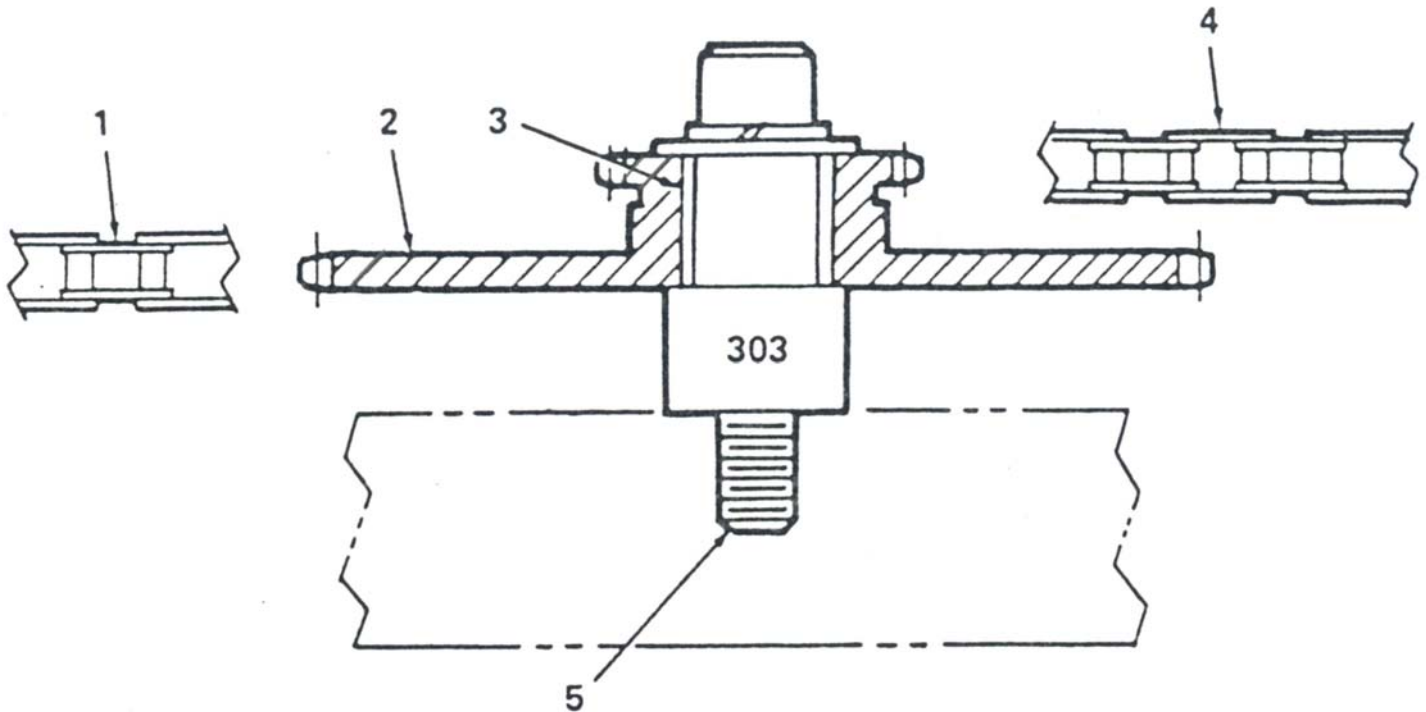


**CHOKE RELEASE ARRANGEMENT
 (DOUBLE PARALLEL FOLD)**

DELIVERY - CHOKE RELEASE ARRANGEMENT

NO.	STOCK NO.	DESCRIPTION	GOSS PART NO.
36	20741	Limit Switch	1B-090236
37	20742	Choke Pan	1C-102295
38	20743	Pan Mounting Block	1B-149544
39	20167	Extension Spring	1344-897017
40	20744	Switch Stop Plate	1B-149546
41	20317	Eye Bolt	238-725624
42	20745	Spring Tension Bracket	1B-149547
43	20746	Release Lever	B-113412
44	20748	Handle	25-781500
45	20749	Locking Stud with Handle	1B-114445
46	21160	Thrust Washer	1B-113411
47	20168	Disc Spring	2701-897015
48	20750	Barring Hub	1B-113414
49	20751	Key	75C-040003
50	20752	Switch Actuator Plate	1B-133792
51	20753	Cross Bar for Springs	1B-111303
52	20316	Eye Bolt	30-725600
53	20166	Extension Spring	1B-105304
54	20754	Spring Link	1B-111301
55	20755	Pulley Stud	2B-097333
56	20758	Pulley	39-868000

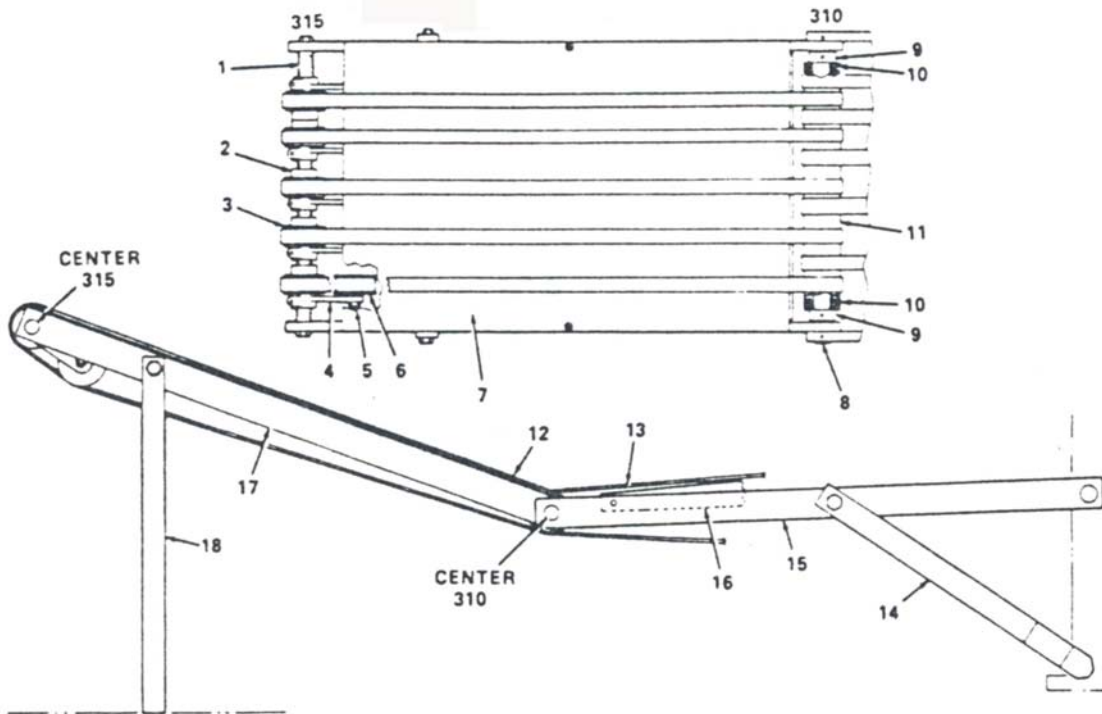
COMMUNITY FOLDER



DELIVERY DRIVE IDLER SPROCKET

NO.	STOCK NO.	DESCRIPTION	GOSS PART NO.
1	20116	Roller Chain	1080-732404
2	20175	Driven Sprocket	1C-063311
3	20102	Bronze Bearing	2612C-040075
4	20116	Roller Chain	1080-732404
5	20756	Stud	1B-110147

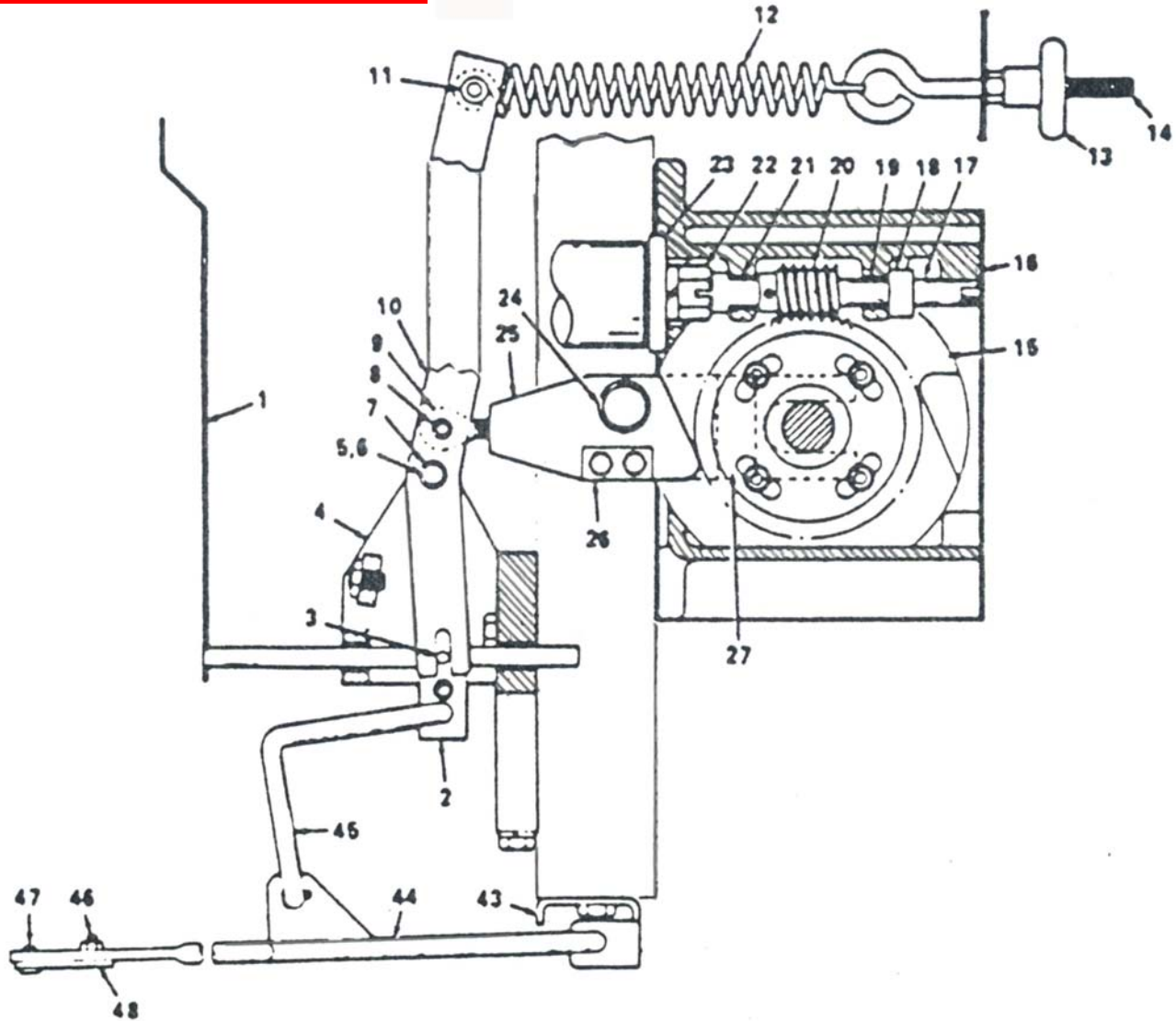
COMMUNITY FOLDER



DELIVERY EXTENSION

NO.	STOCK NO.	DESCRIPTION	GOSS PART NO.
1	20757	Stay Shaft	1B-103249
2	20266	Collar	1250C-040081
3	20356	Pulley	1B-103314
4	20347	Tension Lever	B-097334
5	20395	Pulley Stud	1B-097333
6	20758	Pulley	39-868000
7		Pan for Extension	1B-103217
8	20148	Delivery Shaft	6B-096343
9	20266	Collar	1250C-040081
10	30100	Bearing	10-722605
11	20759	Roller	1C-058078
	20184		1C-054485
12	20760	Delivery Extension Belt	1B-125448
13	20761	Delivery Belt	9B-124063
14	20762	Delivery Support	1B-133016
15	20725	Delivery Arm	1C-058168
16	20763	Pan for Arm	1C-058170
17	20764	Delivery Extension Arm	1C-058169
18	20765	Delivery Extension Support	1B-103313

COMMUNITY FOLDER



KICKER

NO.	STOCK NO.	DESCRIPTION	GOSS PART NO.
1	20766	Kicker Plate, Half Fold	1C-079363
2	20767	Guide Block	1B-135036
3	20768	Dowel Pin	37C-040001
4	20769	Kicker Bracket with Cap	1D-025653
5	20770	Pivot Stud	3B-125345
6	40304	Retaining Ring	37C-040164
7	20104	Bronze Bearing	706C-040075
8	20771	Nylock Cap Screw	417-891201
9	20289	Rod End	20-886100
10	20772	Pivot Lever	1C-090355

www.a-americanpressparts.com

Check our website for updates!



1-888-434-0888
TOLL FREE

COMMUNITY FOLDER

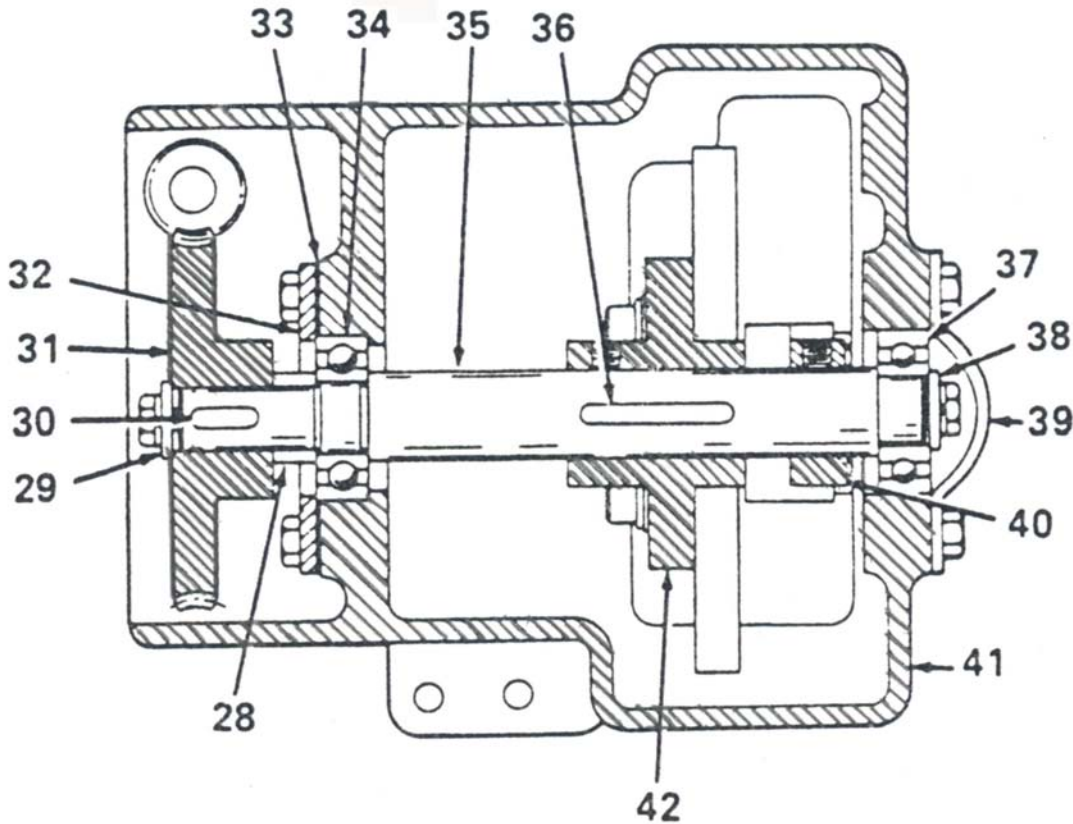
KICKER

NO.	STOCK NO.	DESCRIPTION	GOSS PART NO.
11	20514	Stripper Bolt	5006C-040131
12	20169	Extension Spring	1474-897017
13	20773	Knob	111-815010
14	20774	Eye Bolt	340-725624
15	20775	Kicker Cam	1C-079359
16	20776	Front Cover	1C-091228
17	20777	Worm Shaft	2B-129384
18	40356	Collar	500C-040081
19	20105	Bronze Bearing	1104C-040075
20	20778	Worm Shaft	3C-079357
21	20779	Flange Bearing	75-729547
22	20780	Special Cap Screw	3714C-040133
23	20781	Washer	2037C-040072
24	20782	Cam Follower	1017-766509
25	20783	Kicker Lever	3C-079362
26	20784	Kicker Lever Guide	1B-110227
27	20785	Kicker Lever Stop	1B-011028
43	20786	Pivot Bracket	1C-060823
44	20787	Pivot Rod	1C-060731
45	20788	Connecting Rod	1B-130029
46	20789	Ball Plunger	9-865700
47	20790	Clevis Pin	10-863300
48	20791	Kicker Plate, quarter fold	1B-106962

www.a-americanpressparts.com

Check our website for updates!

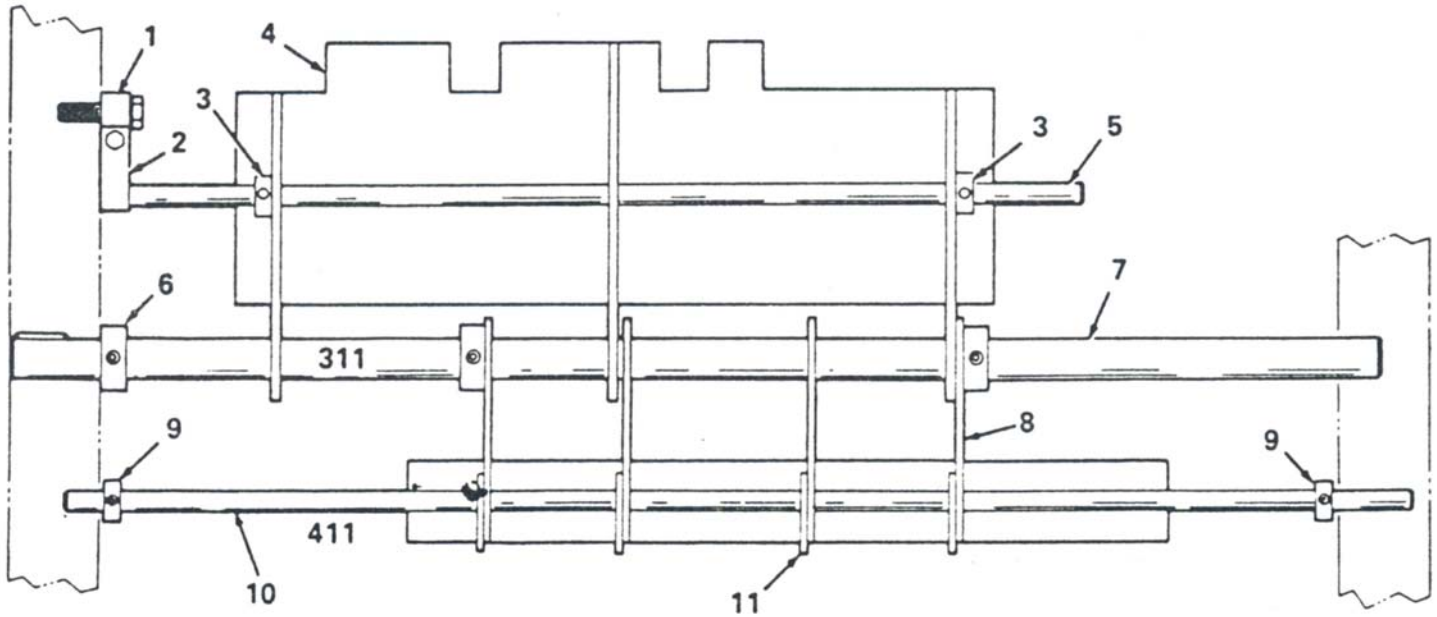
COMMUNITY FOLDER



KICKER

NO.	STOCK NO.	DESCRIPTION	GOSS PART NO.
28	20988	Spacer	1604C-040064
29	20989	Washer	207C-040073
30	20653	Key	51C-040003
31	20990	Worm Gear	159-722087
32	20991	End Plate	1B-130022
33	20992	Shim Set	7C-040009
34	20993	Bearing	7204C-040110
35	20994	Vertical Drive Shaft	1C-079358
36	20995	Key	147C-040003
37	1534	Bearing	6204C-040104
38	40675	Washer	207C-040070
39	20996	Cover Plate	B-130023
40	40197	Collar	1000C-040081
41	20997	Kicker Drive Bracket	ER-022114
42	20998	Kicker Cam Hub	C-079360

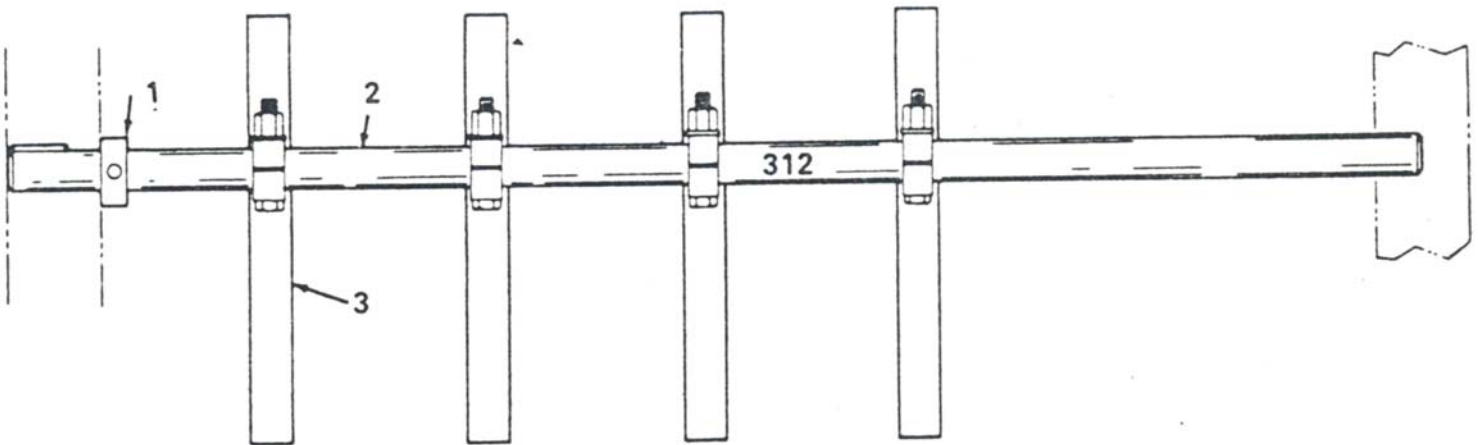
COMMUNITY FOLDER



CUTTING CYLINDER SHOE ASSEMBLY

NO.	STOCK NO.	DESCRIPTION	GOSS PART NO.
1	2217	Bracket	1AR-002914
2	2218	Latch	1AR-002915
3	40356	Collar	500C-040081
4	20792	Cutting Cylinder Shoe	1C-072605
	20793		1C-103307
5	20794	Shaft	2B-097803
6	20795	Collar	100C-040081
7	20151	Shaft	31B-097865
8	20796	Guide Shoe	1D-025311
9		Collar	
10		Shaft	
11		Guide Shoe	

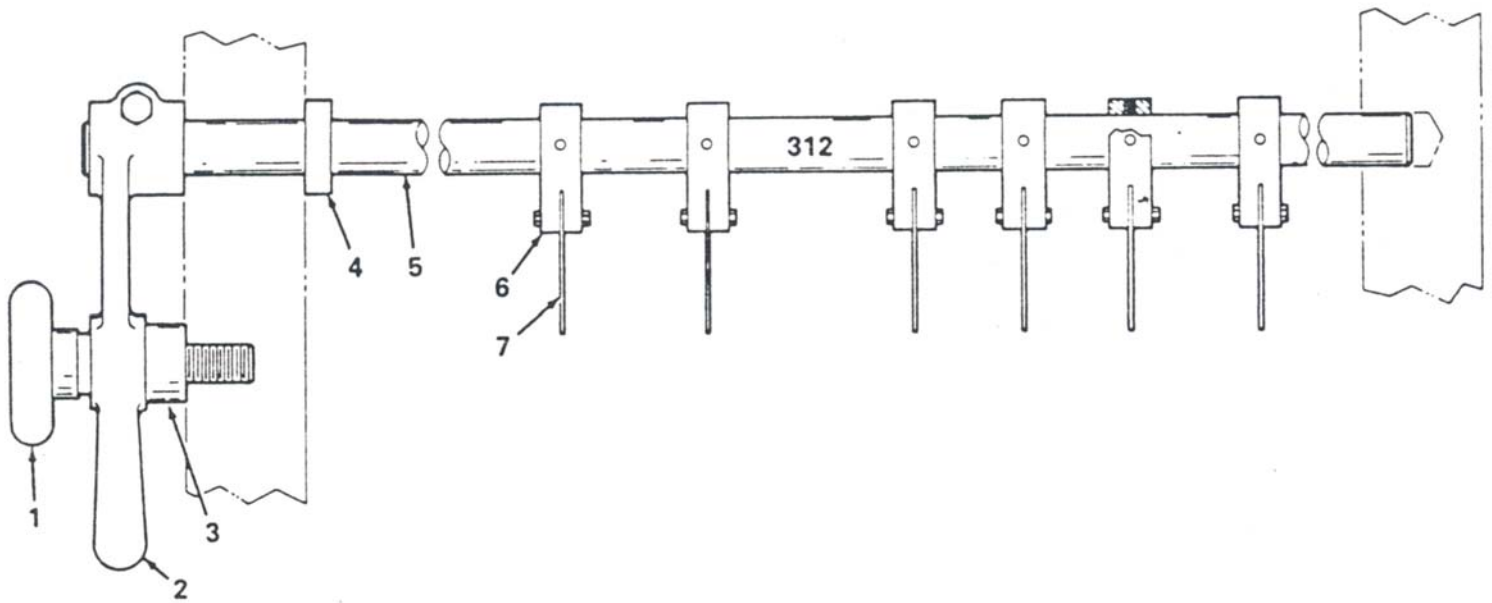
COMMUNITY FOLDER



GUIDE SHOES - HALF FOLD

NO.	STOCK NO.	DESCRIPTION	GOSS PART NO.
1	40197	Collar	1000C-040081
2	20153	Shaft	B-097803
3	20797	Jaw Cylinder Shoe	C-083572

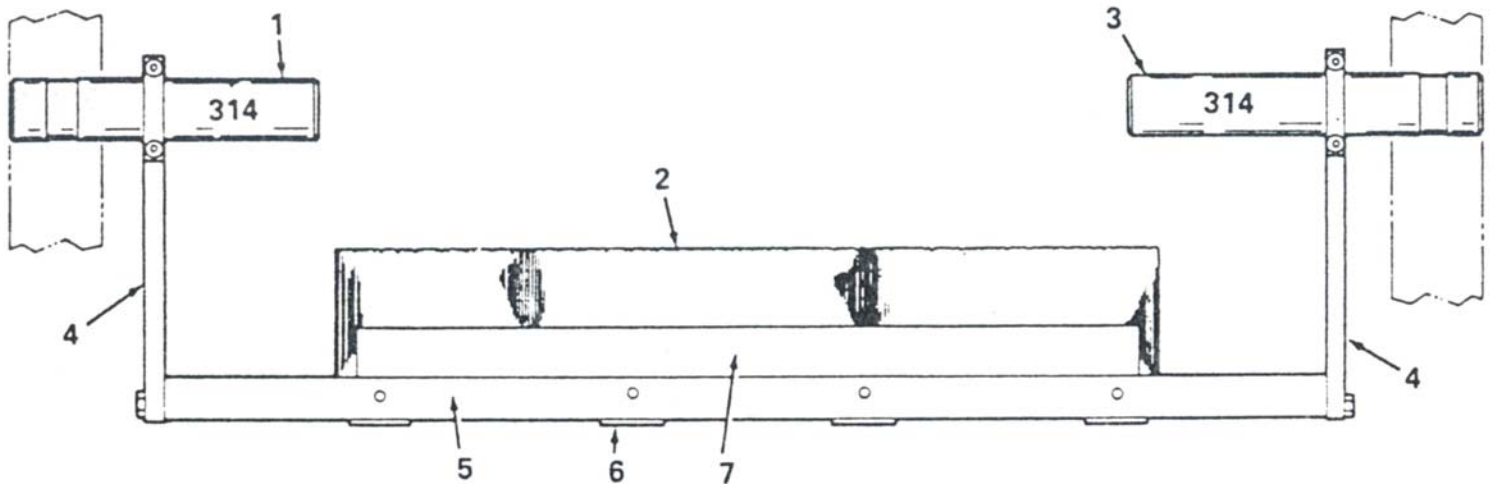
COMMUNITY FOLDER



STRIPPER SHOE ASSEMBLY - QUARTER FOLD

NO.	STOCK NO.	DESCRIPTION	GOSS PART NO.
1	20798	Knob	B-129429
2	20799	Lever Handle	B-129430
3	20800	Lockup Stud	1B-098259
4	40197	Collar	1000C-040081
5	20154	Stripper Shoe Shaft	1C-059399
6	20801	Bracket for Stripper Shoe	1B-129428
7	20093	Stripper Shoe	1B-129427

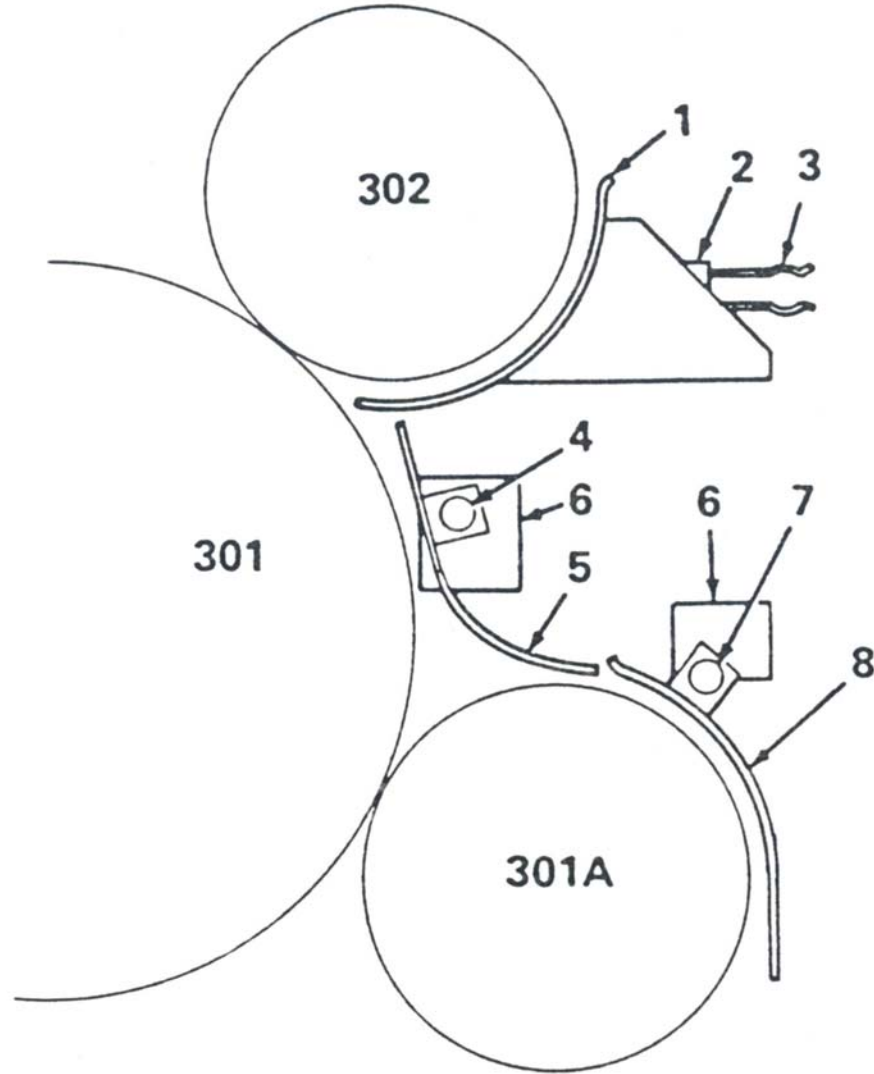
COMMUNITY FOLDER



JAW CYLINDER COMBING BRUSH

NO.	STOCK NO.	DESCRIPTION	GOSS PART NO.
1	20802	Stud, Op Side	B-103947
2	20091	Brush	5B-097206
3	20803	Stud, Dr Side	B-103947
4	20340	Brush Lever Arm with Cap	1C-064113
5	20196	Brush Bar	B-111385
6	20804	Brush Clip	B-111375
7	2080	Leaf Spring	2B-097521

COMMUNITY FOLDER



SHOE ASSEMBLY

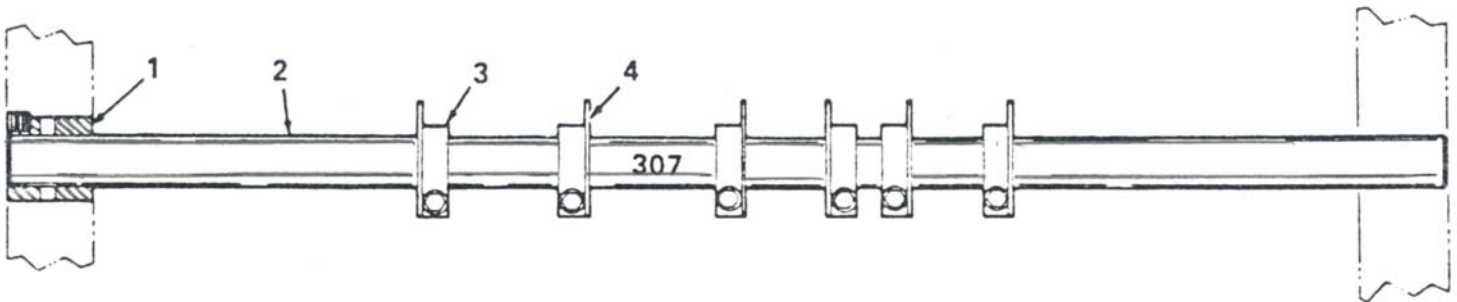
NO.	STOCK NO.	DESCRIPTION	GOSS PART NO.
1	20332	Paper Guide	1C-070000
2		Block	
3		Spring	
4		Shoe Shaft	
5		Shoe Pan	
6	20805	Shaft Bracket	B-110242
7	20806	Shoe Shaft	B-110243
8	20807	Shoe Pan	C-063342



1-888-434-0888
TOLL FREE

COMMUNITY FOLDER: NOTES

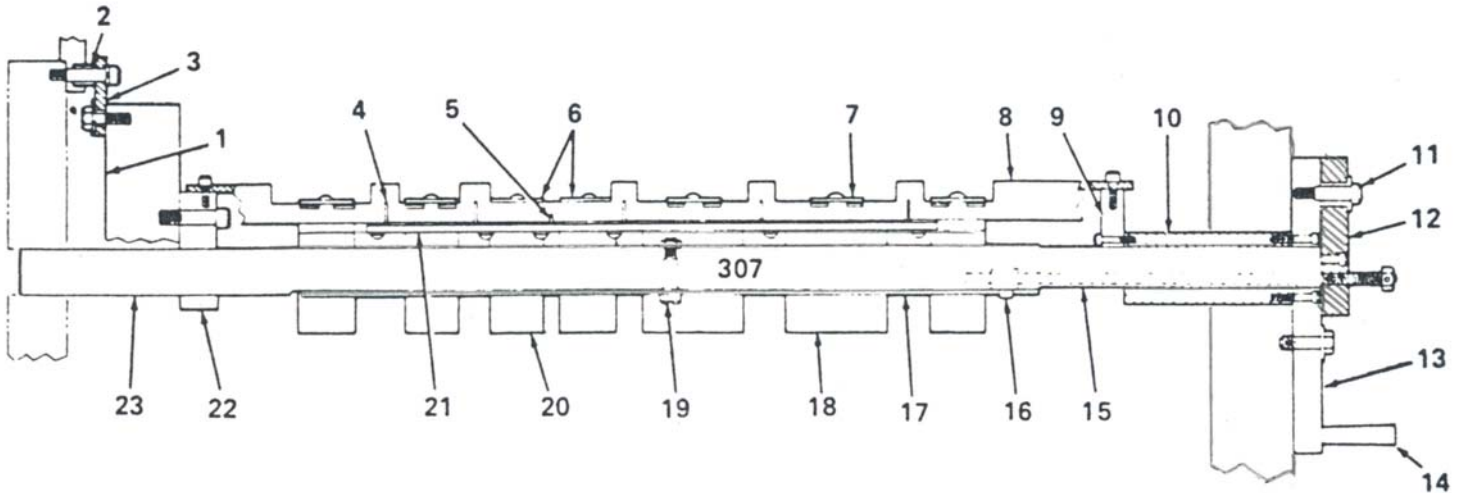
COMMUNITY FOLDER



JAW CYLINDER STRIPPER SHOES

NO.	STOCK NO.	DESCRIPTION	GOSS PART NO.
1	20106	Bushing	1B-110875
2	20809	Stripper Shoe Shaft	1B-110876
3	20810	Stripper Shoe Bracket	1B-110877
	20811	Stripper Shoe Bracket	1B-111153
4	20062	Stripper Shoe	1B-111154
	20385	Stripper Shoe	1B-149436

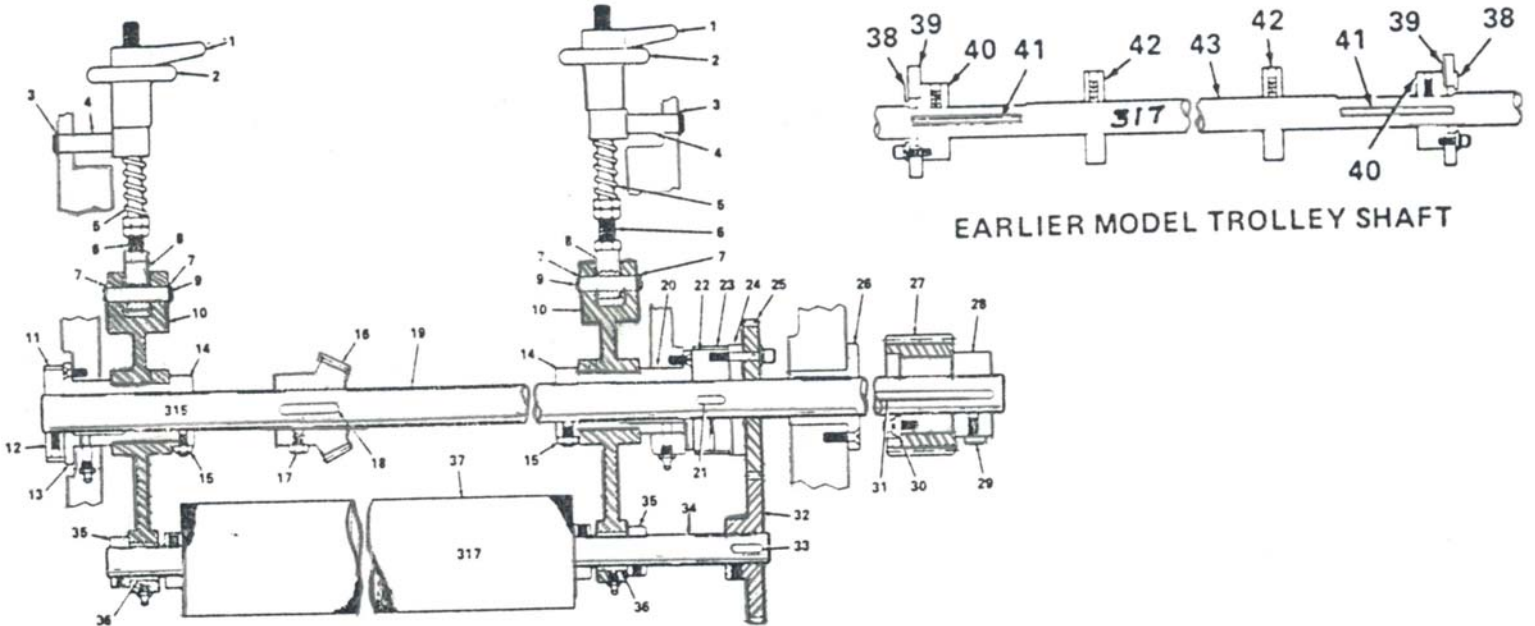
COMMUNITY FOLDER



COMBING BLADE & STRIPPER ASSEMBLY - PARALLEL FOLD

NO.	STOCK NO.	DESCRIPTION	GOSS PART NO.
1	20812	Stabilizer Bracket	1C-072548
2	20813	Spacer	1B-121913
3	20814	Adjusting Plate	1C-072547
4	20386	Stripper Plate	1C-072679
5	20815	Stripper Plate	1C-100175
6	20816	Combing Blade Bracket	2B-120231
7	20817	Combing Blade Bracket	1B-120231
8	20818	Stripper Plate Support	D-023194
9	20819	Stripper Plate Support	1B-121855
10	20820	Sleeve	1C-070668
11	20821	Stripper Bolt	3710C-040131
12	20822	Adjustment Bracket	1B-120233
13	20823	Adjustment Bracket	1C-070666
14	20748	Handle	25-781500
15	20824	Adjustment Screw	1B-120227
16	20825	Slide Nut	1B-120228
17	20826	Combing Blade Adjuster	1C-070667
18	20827	Combing Blade	2B-120232
19	20564	Combing Blade	B-125347
20	20821	Stripper Bolt	3710C-040131
21	20828	Clamp Bar	1B-122060
22	20829	Support	B-120230
23	20830	Shaft	1C-070669

COMMUNITY FOLDER



DRIVE SHAFTS & TROLLEY SHAFT - QUARTER FOLD

NO.	STOCK NO.	DESCRIPTION	GOSS PART NO.
1	20831	Locknut	AR-001279
2	20137	Knob	1B-098303
3	40553	Retaining Ring	62C-040164
4	20354	Poppet	1B-098305
5	20160	Spring	1AR-004754
6	20054	Adjustment Screw	1B-098304
7	4460	Retaining Ring	50C-040164
8	20083	Adjustment Block	1B-098306
9	40501	Pin	1B-098435
10	20832	Lever	C-065329
11	20181	Timing Belt	51-723675
12	20833	Pulley	B-098301
13	20834	Bushing	B-098302
14	40197	Collar	1000C-040081
15	40032	Spotting Set Screw	2B-105603



1-888-434-0888
TOLL FREE

COMMUNITY FOLDER

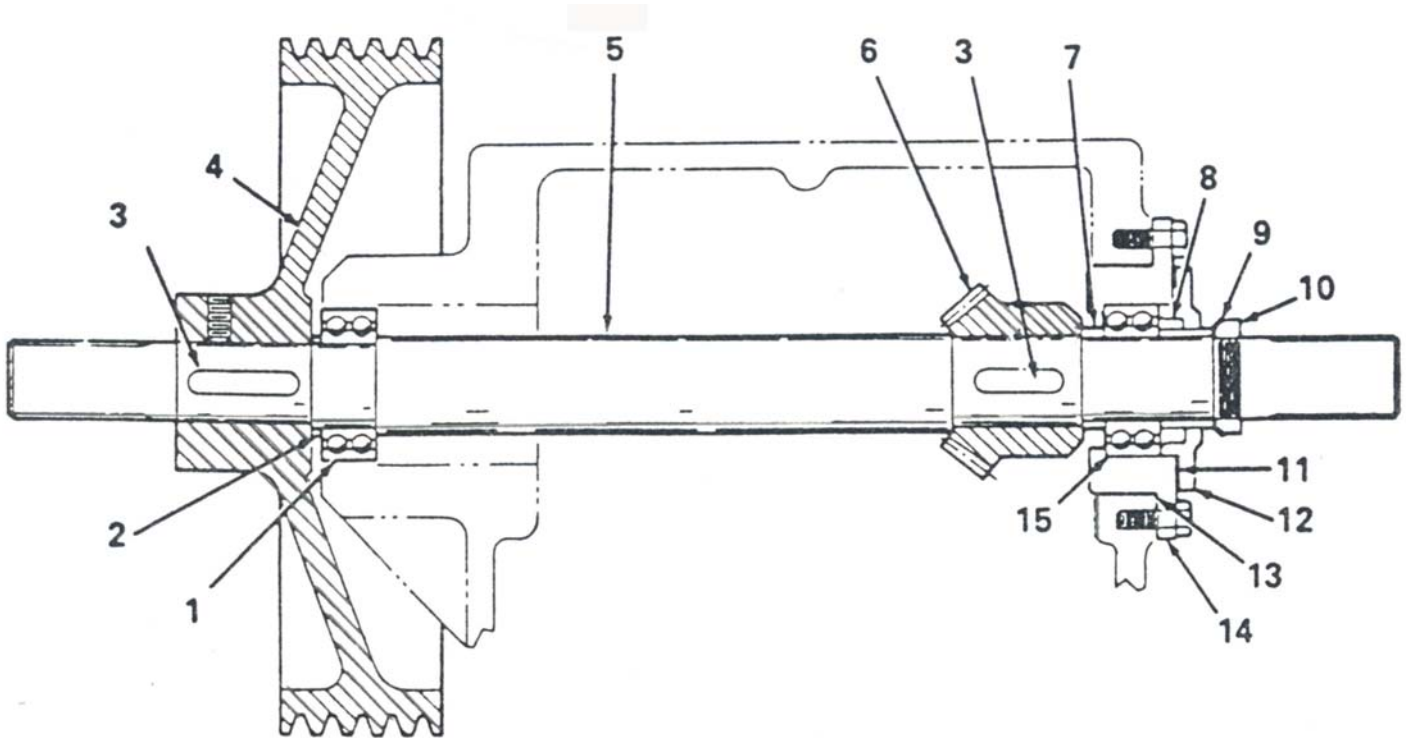
DRIVE SHAFTS & TROLLEY SHAFT - QUARTER FOLD

NO.	STOCK NO.	DESCRIPTION	GOSS PART NO.
16	20466	Bevel Pinion	C-055160
17	40032	Spotting Set Screw	2B-105603
18		Key	
19	20835	Drive Shaft	1C-074488
20	20836	Bushing	B-106617
21		Key	
22	20837	Pulley	B-098300
23	20181	Timing Belt	51-723675
24		Spacer	
25	20301	Gear	1B-098296
26	20838	Bushing	B-124332
27	21161	Gear Rim	C-066227
28	20518	Slip Gear Sleeve	B-114042
29	40075	Spotting Set Screw	1B-105603
30	21170	Washer	B-114179
	2001	Washer	AR-003426
31		Key	
32	20302	Gear	1B-098297
33	20751	Key	75C-040003
34		Shaft	
35		Collar	
36	20839	Needle Bearing	559-722657
37	20090	Trolley Brush	1B-150286
38	20840	Retaining Plate	1B-144467
39	20401	Trolley	1B-142410
40	20841	Hub	1B-121346
41	20842	Key	243C-040003
42	20843	Trolley	1B-100299
	21162	Trolley	B-121345
43	20844	Shaft	1C-065330

www.a-americanpressparts.com

Check our website for updates!

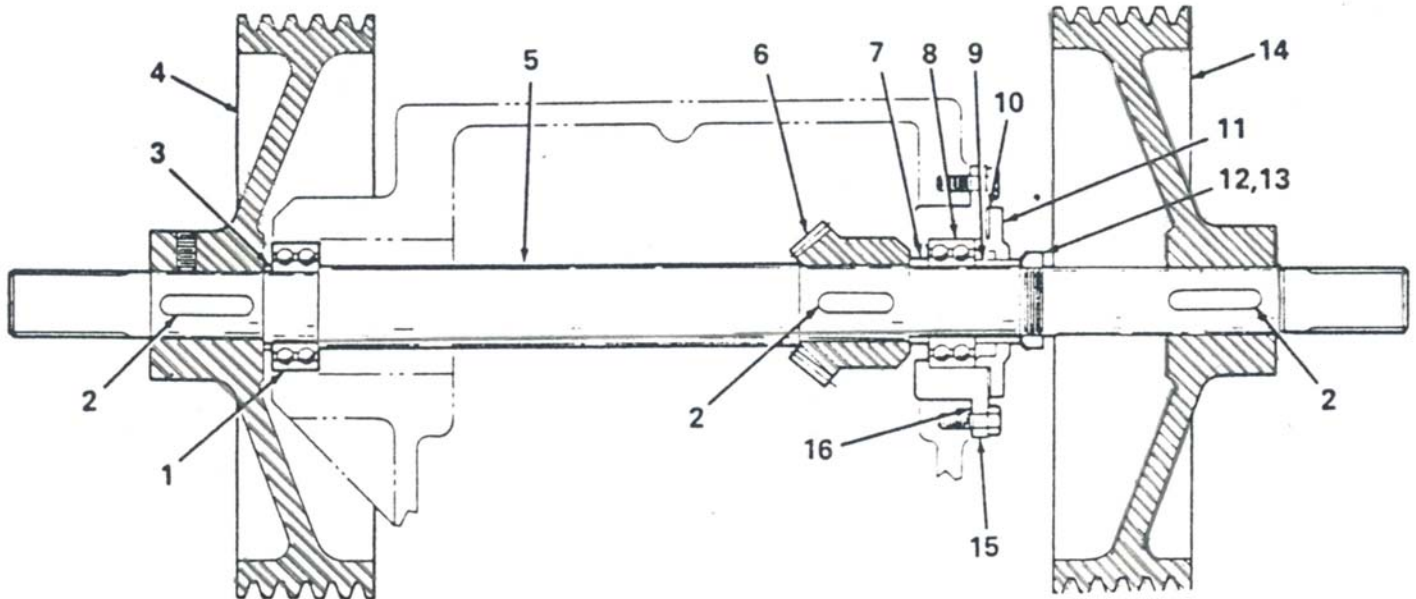
COMMUNITY FOLDER



MAIN DRIVE SHAFT ASSY - SINGLE MOTOR

NO.	STOCK NO.	DESCRIPTION	GOSS PART NO.
1	20845	Bearing	181-722605
2	20846	Spacer	4112C-040065
3	20641	Key	223C-040003
4		Driven Sheave	
5	20847	Shaft	1C-073229
6	20848	Pinion Gear	2C-069534
7	20849	Spacer	4102C-040065
8	20850	Spacer	4104C-040065
9	1981	Bearing Lockwasher	110C-040124
10	20709	Bearing Locknut	110C-040123
11	20853	Shim Set	65C-040009
12	20854	Mounting Plate	1B-055051
13	20855	Shim Set	8A-003010
14	20856	Reverse Cup	1B-123018
15	20283	Bearing	5210C-040108

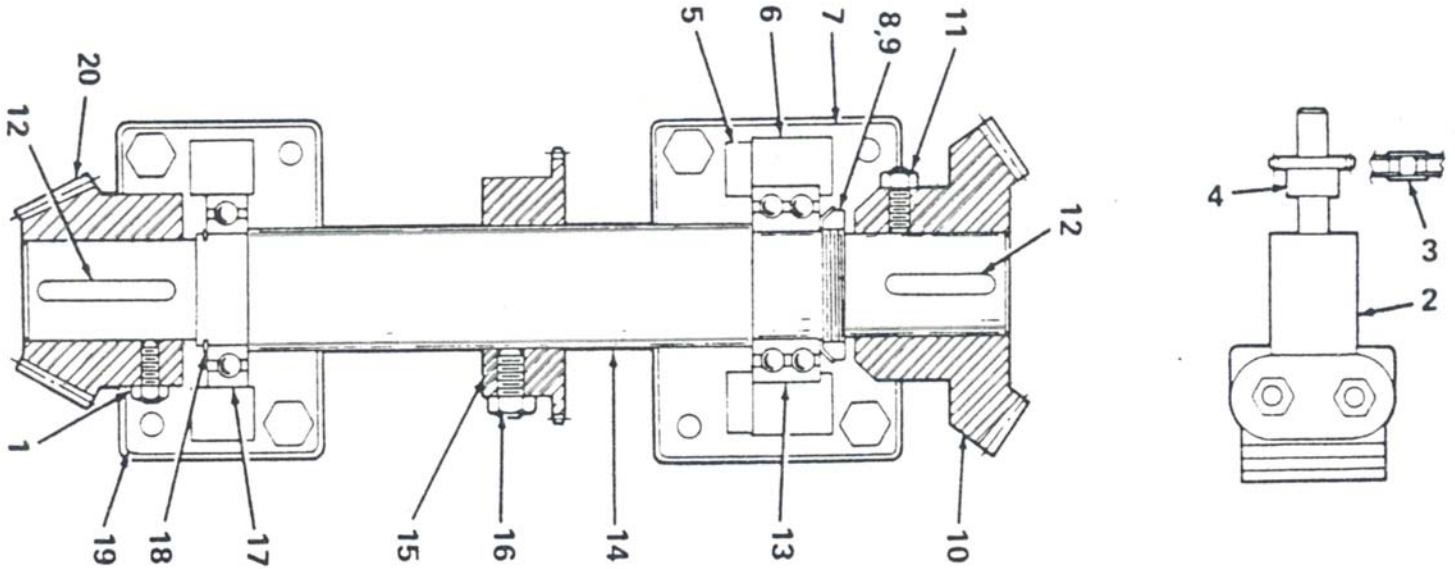
COMMUNITY FOLDER



MAIN DRIVE SHAFT ASSY - DUAL MOTOR

NO.	STOCK NO.	DESCRIPTION	GOSS PART NO.
1	20283	Bearing	5210C-040108
2	20641	Key	223C-040003
3	20849	Spacer	4102C-040065
4		Driven Sheave	
5	20857	Shaft	1D-035784
6	20858	Pinion Gear	2C-096257
7	20850	Spacer	4104C-040065
8	20283	Bearing	5210C-040108
9	20846	Spacer	4112C-040065
10	20853	Shim	65C-040009
11	20854	Mounting Plate	B-055051
12	20709	Bearing Locknut	110C-040123
13	1981	Bearing Lockwasher	110C-040124
14		Driven Sheave	
15	20856	Reverse Cup	B-123018
16	20855	Shim	8A-003010

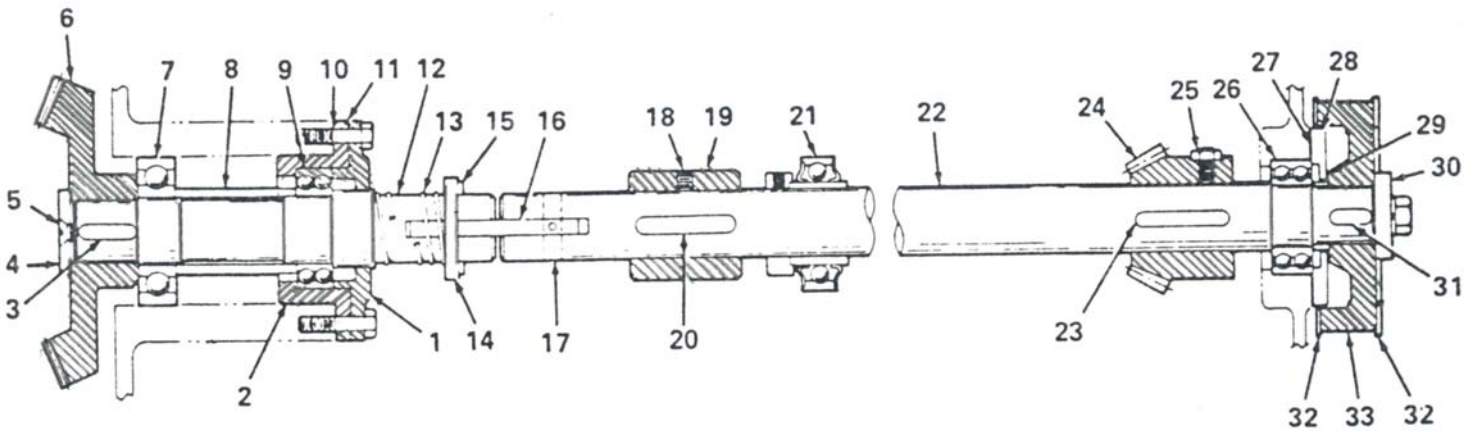
COMMUNITY FOLDER



VERTICAL DRIVE SHAFT ASSEMBLY

NO.	STOCK NO.	DESCRIPTION	GOSS PART NO.
1	40074	Spotting Set Screw	1AR-001447
2	20097	Oil Pump	354-868270
3	20117	Roller Chain	1056-732403
4	20178	Sprocket	2141-897113
5	20856	End Plate	1B-055294
6	20853	Shim	65C-040009
7	20860	Bracket	1C-091198
8	20709	Bearing Locknut	110C-040123
9	1981	Bearing Lockwasher	110C-040124
10	20861	Bevel Gear	1C-069534
11	40074	Spotting Set Screw	1AR-001447
12	20641	Key	223C-040003
13	5570	Bearing	5210C-040106
14	20862	Shaft	1C-073269
15	20863	Sprocket	1B-120216
16	20864	Spotting Set Screw	1AR-001977
17	5571	Bearing	6210C-040100
18	20571	Retaining Ring	1196-885470
19	20865	Bracket	1C-091197
20	20866	Pinion Gear	1D-021790

COMMUNITY FOLDER



HORIZONTAL DRIVE TO JAW CYLINDER

NO.	STOCK NO.	DESCRIPTION	GOSS PART NO.
1	20867	Mounting Plate	B-097342
2	20868	Reverse Cup	B-097343
3	20869	Key	102C-040003
4		Washer	
5		Nylok Screw	
6	20858	Bevel Gear	2C-096257
7	20845	Bearing	181-722605
8	20846	Spacer	4112C-040065
9	20283	Bearing	5210C-040008
10	20871	Shim Set	25C-040009

www.a-americanpressparts.com

Check our website for updates!



1-888-434-0888
TOLL FREE

COMMUNITY FOLDER

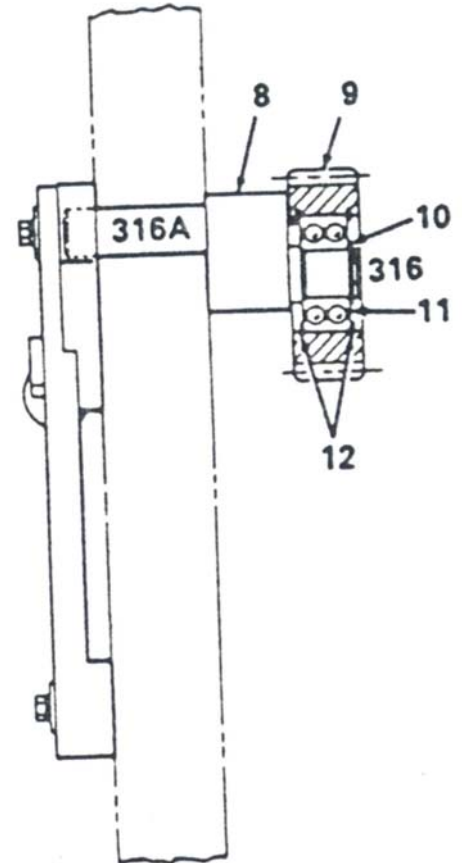
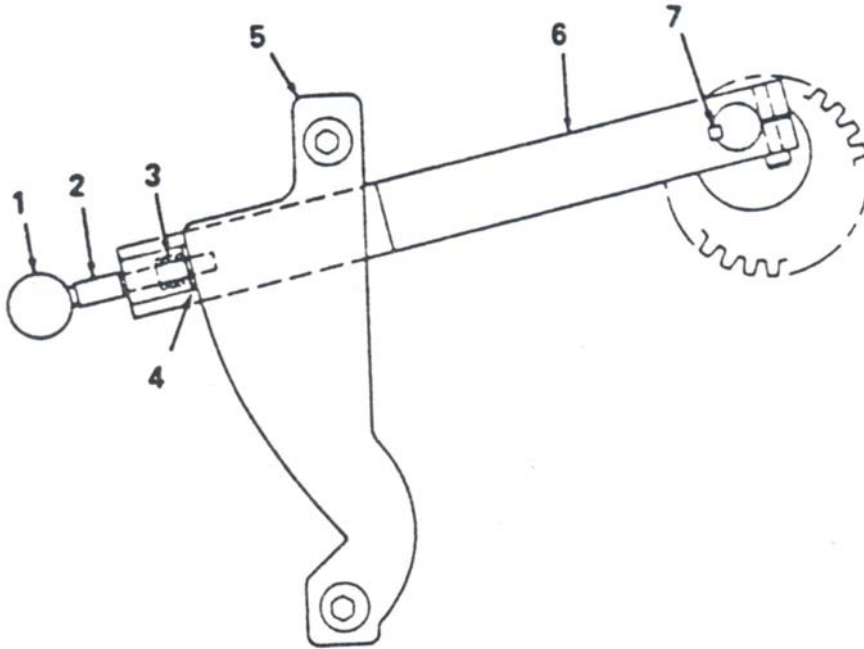
HORIZONTAL DRIVE TO JAW CYLINDER

NO.	STOCK NO.	DESCRIPTION	GOSS PART NO.
11	20872	Shim Set	22C-040009
12	21040	Horizontal Drive Shaft	1C-069462
	21017	Horizontal Drive Shaft	C-054627
13	20873	Clutch Spring	1B-100197
14	20066	Clutch Collar	1B-100196
15	20874	Roll Pin	1212C-040082
16	20064	Clutch Bar	1B-097626
17	20064-1	Dowel Pin	195C-040001
18	20875	Nylok Set Screw	1538-891214
19	20876	Barring Hub	1B-118695
20	20877	Key	245C-040003
21	20878	Bearing	15-722605
22	20879	Shaft	C-094423
23	20880	Key	295C-040003
24	20127	Bevel Gear	1C-068498
25	40074	Spotting Set Screw	1AR-001447
26	20634	Bearing	279-722605
27	20633	Shim Set	5B-103178
28	20882	End Plate	B-130652
29	20883	Spacer	3604C-040064
30	20670	Washer	1AR-005944
31	20557	Key	174C-040003
32	20631	Pulley Side Plate	4B-109286
33	20884	Pulley	C-076977

www.a-americanpressparts.com

Check our website for updates!

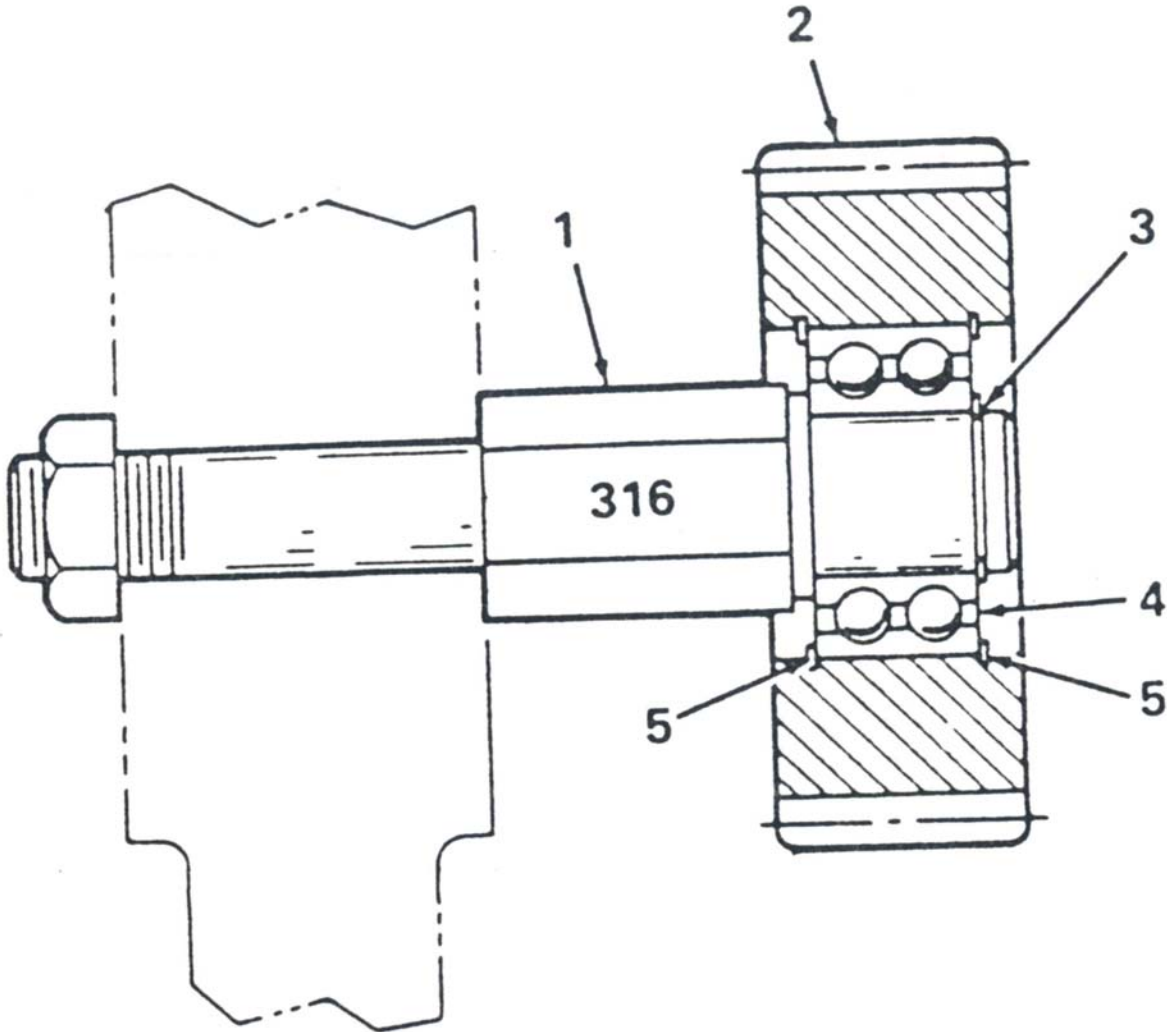
COMMUNITY FOLDER



DRIVE DISCONNECT - QUARTER FOLD

NO.	STOCK NO.	DESCRIPTION	GOSS PART NO.
1		Knob	
2		Throwoff Lever Pin	
3		Compression Spring	
4		Washer	
5		Lever Stop Bracket	
6		Disconnect Lever	
7		Key	
8		Eccentric Stud	
9		Idler Gear	
10		Retaining Ring	
11		Bearing	
12		Retaining Ring	

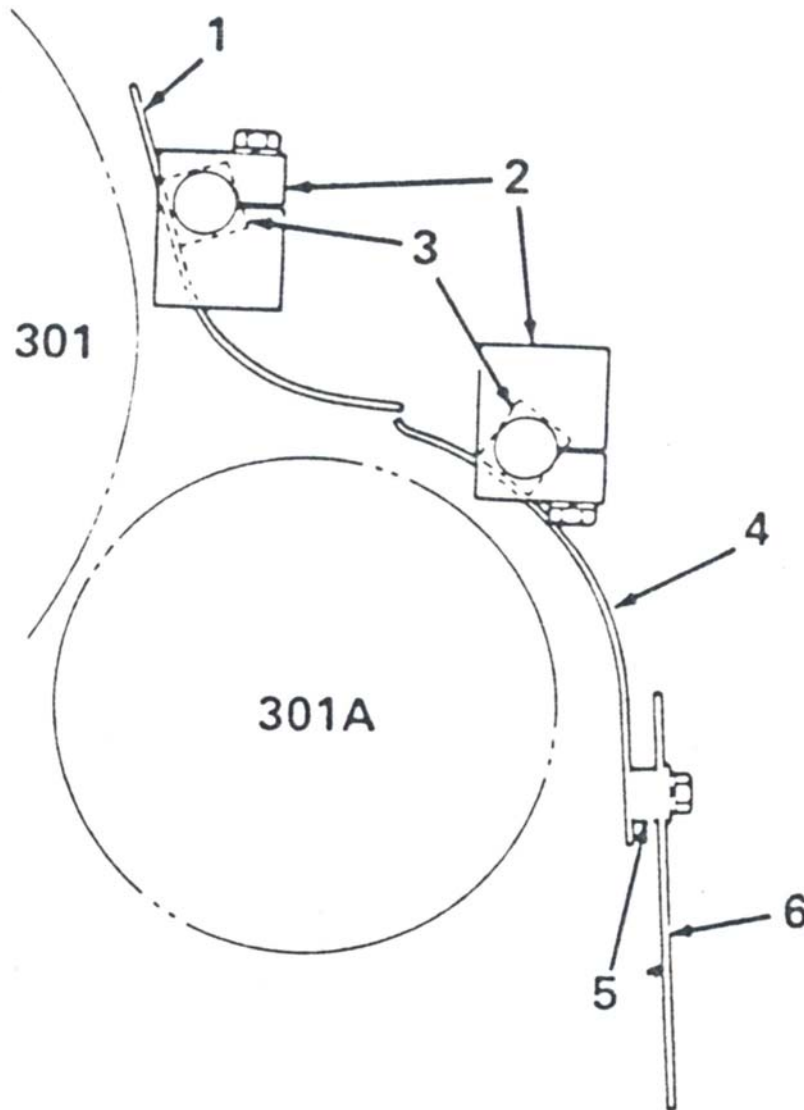
COMMUNITY FOLDER



INTERMEDIATE DRIVE GEAR - QUARTER FOLD

NO.	STOCK NO.	DESCRIPTION	GOSS PART NO.
1	20885	Stud	B-098257
2	20886	Intermediate Gear	B-098267
3	20582	Retaining Ring	98C-040164
4	20581	Bearing	285-722605
5	21171	Retaining Ring	545-885470

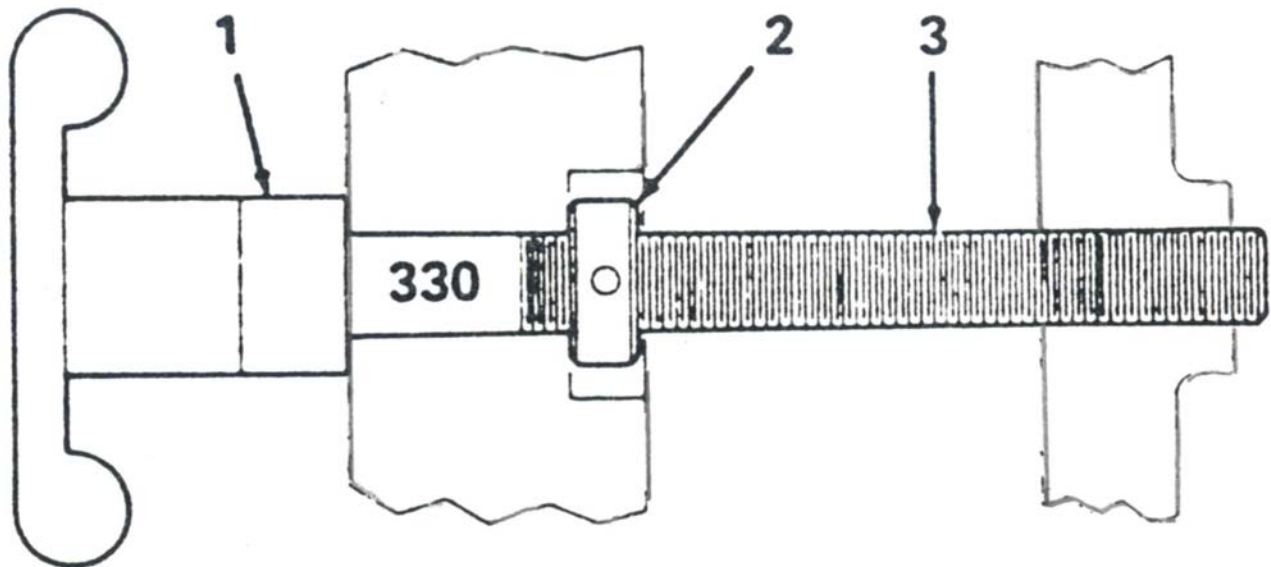
COMMUNITY FOLDER



SHOES - PARALLEL FOLD

NO.	STOCK NO.	DESCRIPTION	GOSS PART NO.
1	20887	Shoe Pan	1C-011999
2	20888	Bracket	C-075188
3	20806	Shaft	1B-110243
4	20889	Shoe Pan	1C-063343
5	20890	Clamp Block	1B-113112
6	20891	Shoe Guide	1B-113113

COMMUNITY FOLDER



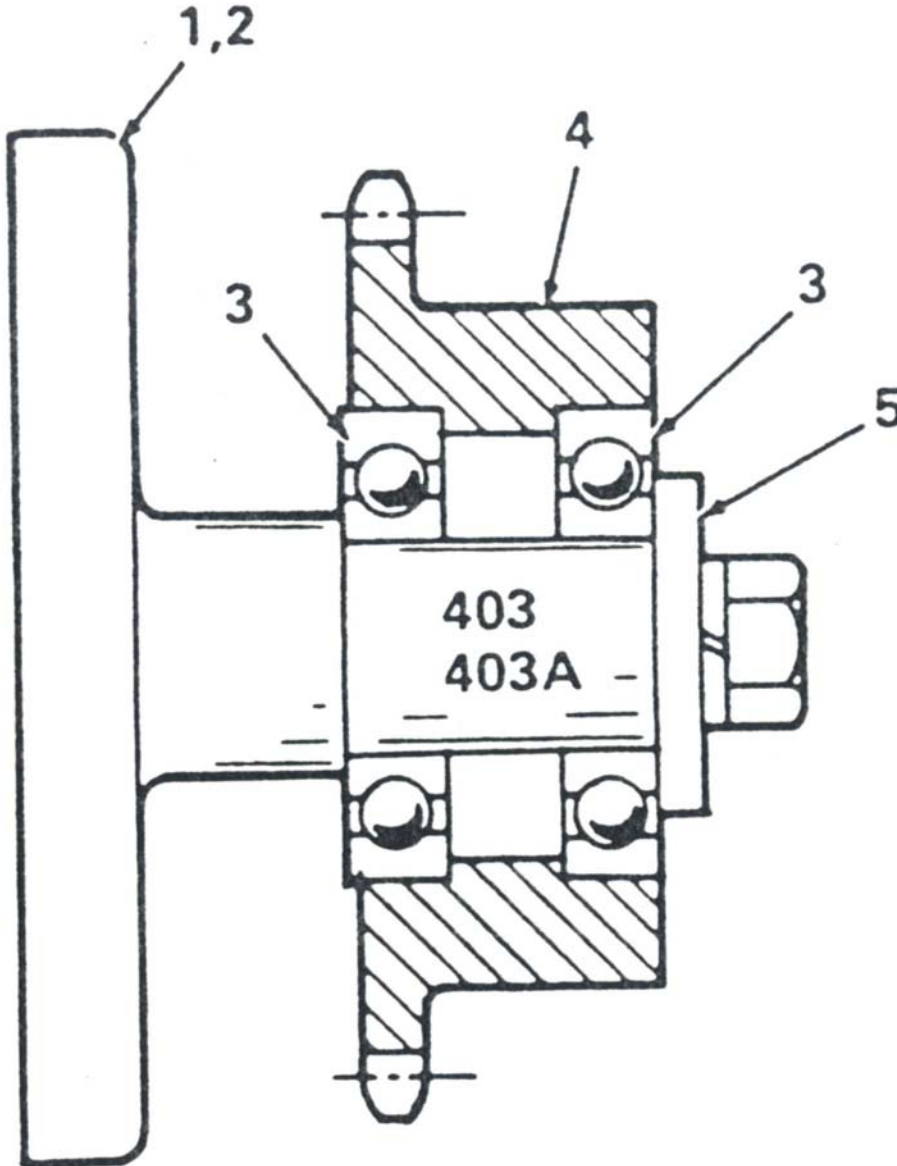
CENTERING SCREW - QUARTER FOLD

NO.	STOCK NO.	DESCRIPTION	GOSS PART NO.
1		Spacer	
2		Collar	
3	21163	Adjustment Screw with Knob	B-098432

www.a-americanpressparts.com

Check our website for updates!

COMMUNITY FOLDER



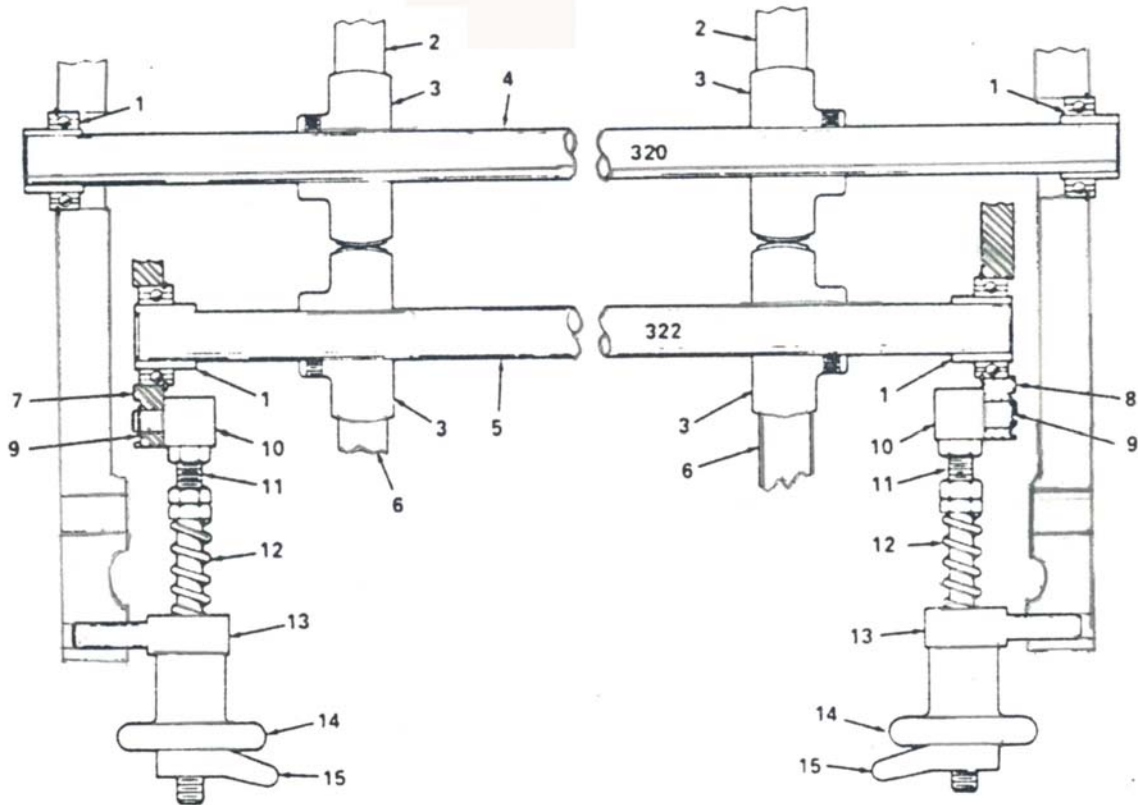
IDLER SPROCKET ASSEMBLY - NIP ROLLER DRIVE

NO.	STOCK NO.	DESCRIPTION	GOSS PART NO.
1	20176-4	Bracket, center 403	1B-142068
2	20176-4	Bracket, center 403A	1B-142068
3	20176-3	Bearing	214-722605
4	20176-1	Sprocket	1B-115729
5	20176-2	Washer	1B-115741

www.a-americanpressparts.com

Check our website for updates!

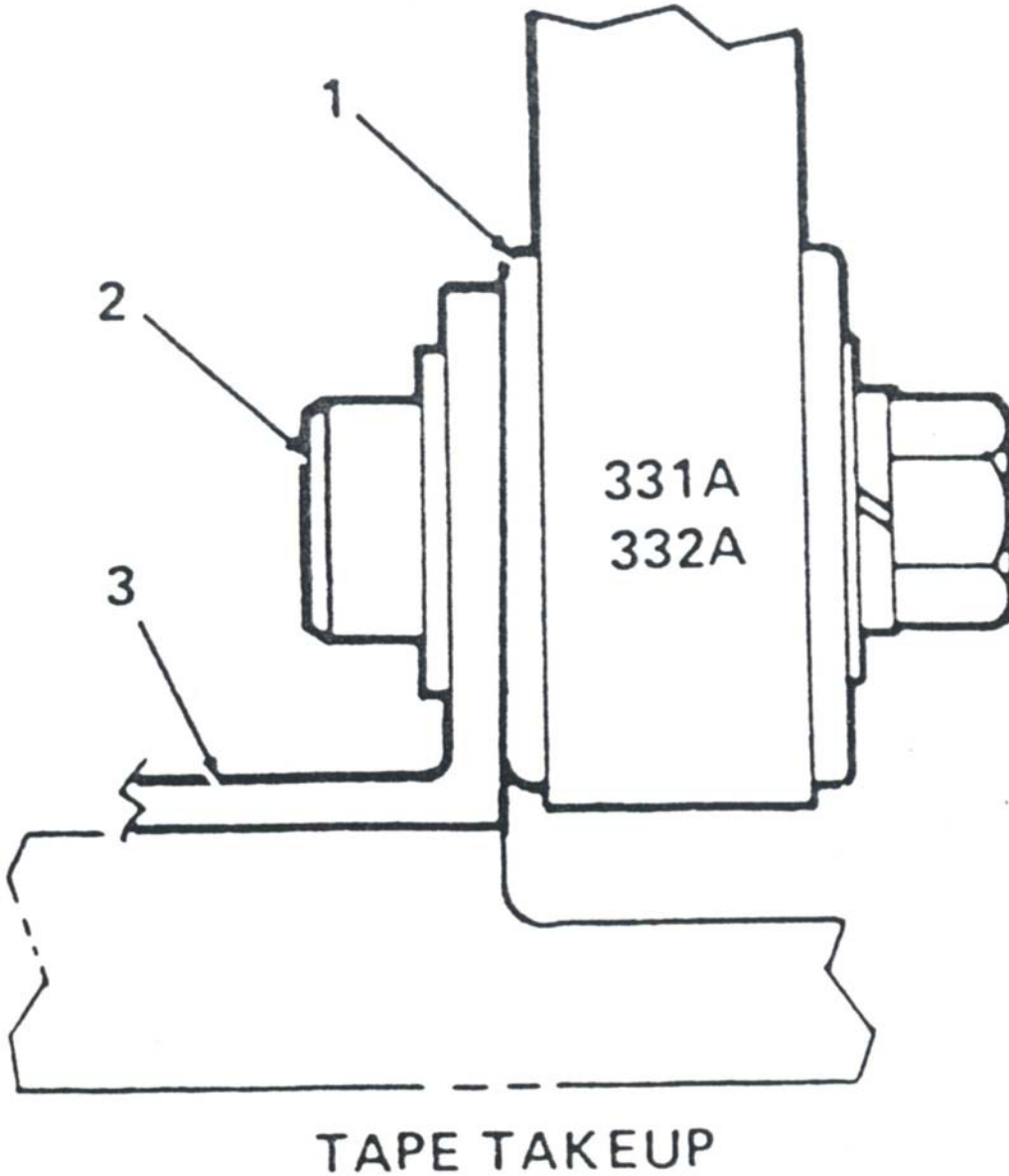
COMMUNITY FOLDER



TAPE ROLLER ASSEMBLY - QUARTER FOLD

NO.	STOCK NO.	DESCRIPTION	GOSS PART NO.
1	20892	Bearing	301-722605
2	20893	Quarter Fold Tape	2B-124938
3	20894	Tape Pulley	B-124020
4	20895	Shaft	2B-124579
5	20896	Shaft	1B-124579
6	20897	Quarter Fold Tape	1B-124938
7	20898	Tape Adjustment Lever, Op sd	2C-074487
8	20899	Tape Adjustment Lever, Dr sd	1C-074487
9		Retaining Ring	
10	20900	Poppet	1B-124584
11	20901	Adjustment Screw	B-124574
	20902	Adjustment Screw	B-132253
12	20160	Spring	1AR-004754
13	20903	Poppet	1B-125096
14	20904	Knob	B-098503
15	20905	Locknut	B-124931
	20906	Locknut	B-132225

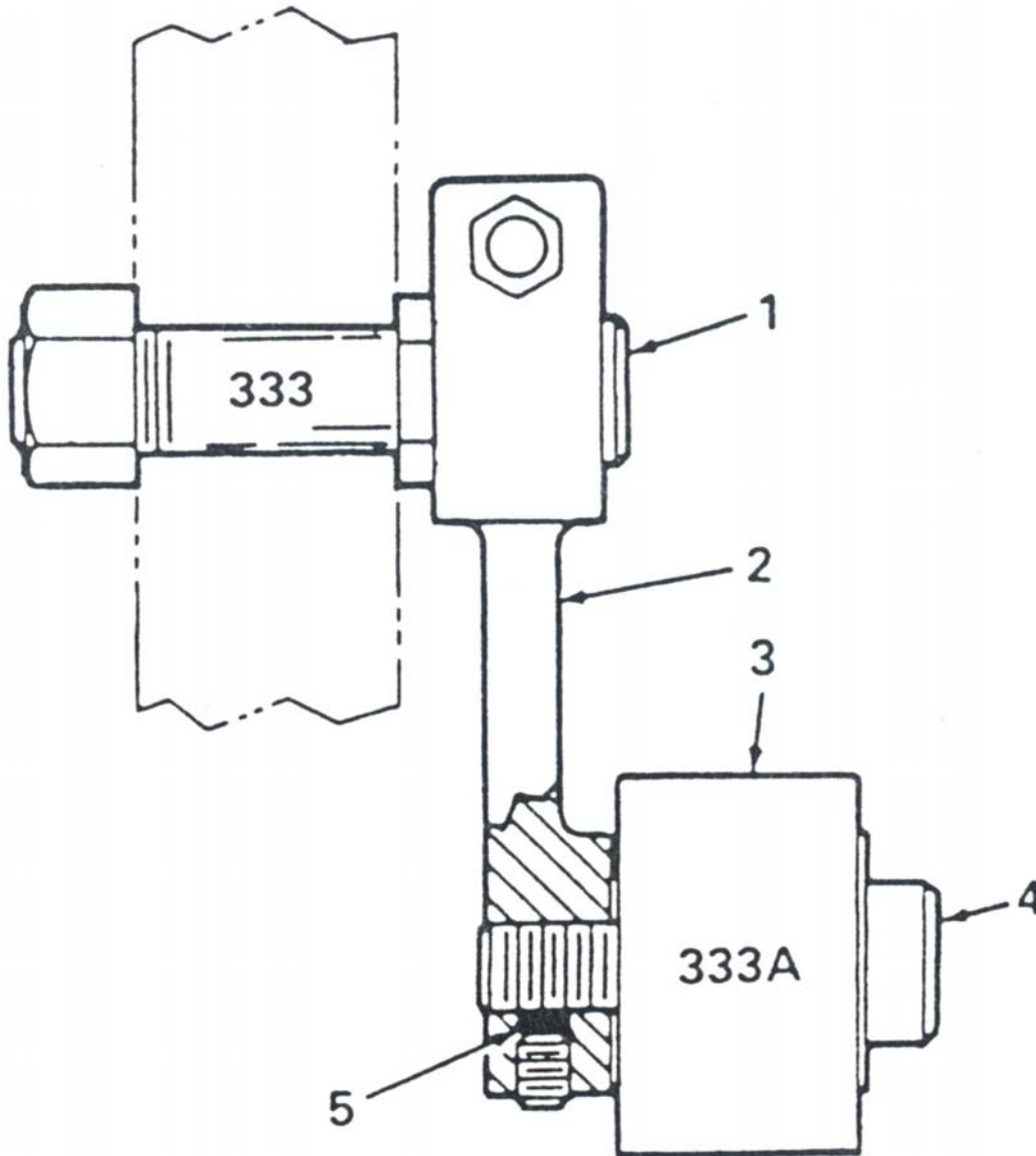
COMMUNITY FOLDER



TAPE TAKE-UP - QUARTER FOLD

NO.	STOCK NO.	DESCRIPTION	GOSS PART NO.
1		Cam Follower	
2		Stripper Bolt	
3		Tape Takeup Bracket	

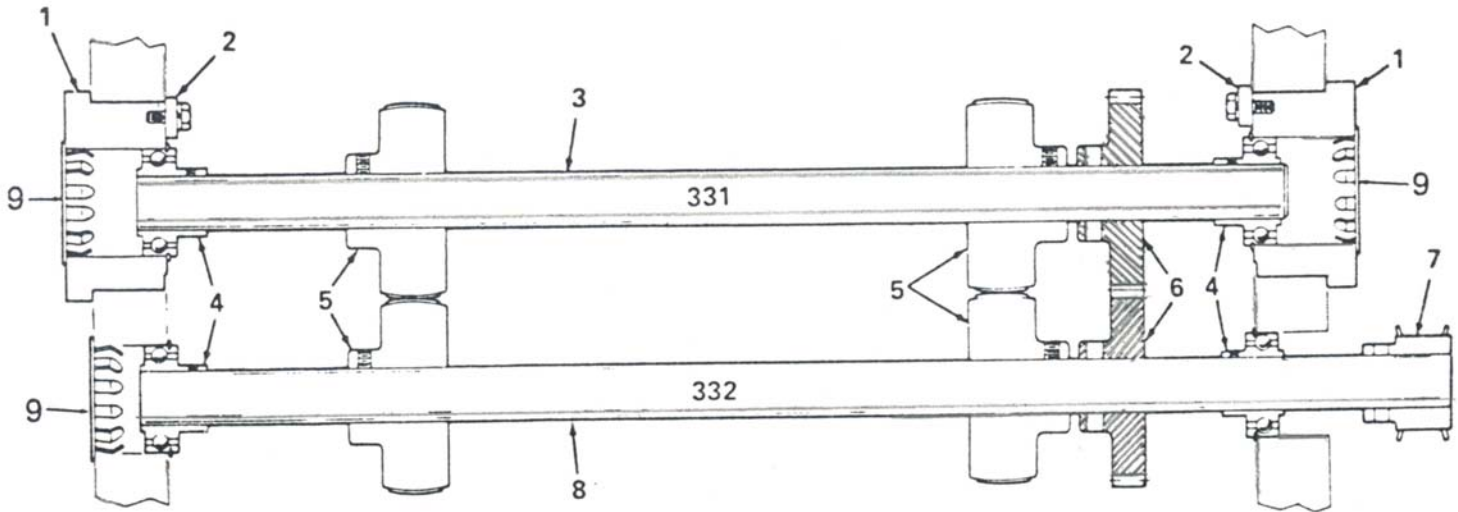
COMMUNITY FOLDER



BELT TIGHTENER - QUARTER FOLD

NO.	STOCK NO.	DESCRIPTION	GOSS PART NO.
1		Stud	
2		Takeup Lever	
3		Cam Follower	
4		Stripper Bolt	
5		Nylon Plug	

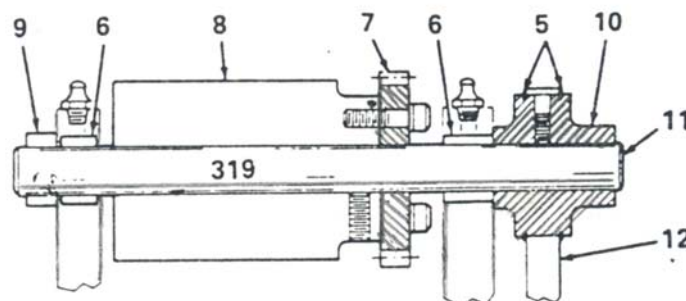
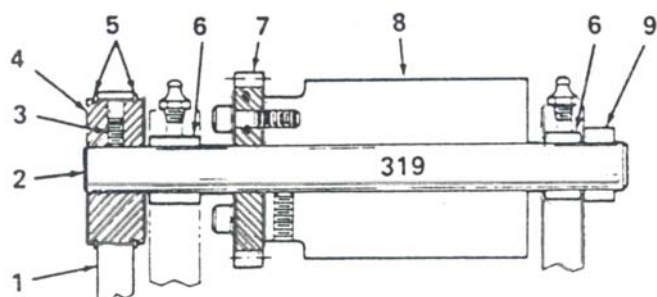
COMMUNITY FOLDER



TAPE DRIVE SHAFT ASSEMBLY - QUARTER FOLD

NO.	STOCK NO.	DESCRIPTION	GOSS PART NO.
1	20907	Eccentric Sleeve	1B-124580
2	20908	Special Washer	1B-124842
3	20909	Tape Shaft	1B-124937
4	20892	Bearing	301-722605
5	20894	Tape Pulley	B-124020
6	20910	Tape Gear	1C-074015
7	20911	Timing Belt Pulley	1B-124582
8	20912	Tape Shaft	1B-124936
9	20913	Dust Cap	18B-103039

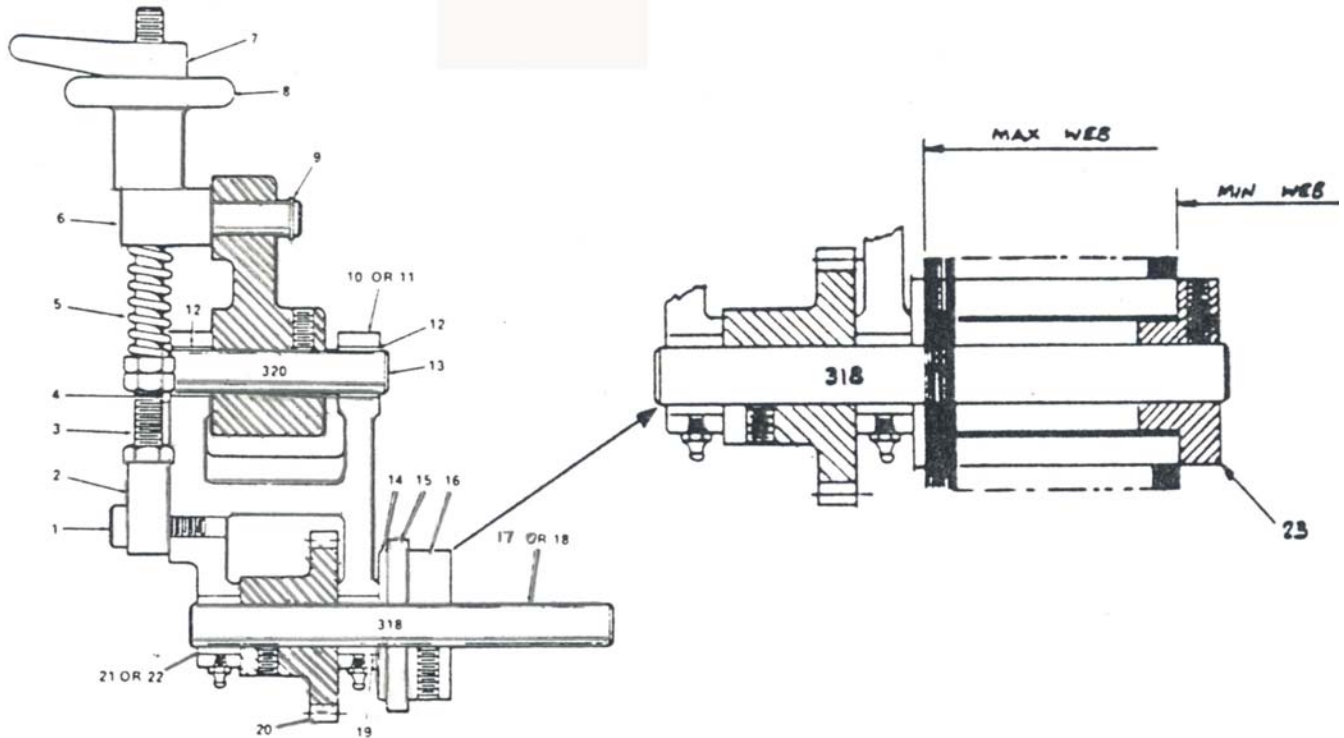
COMMUNITY FOLDER



LOWER NIPPING PULLEYS - QUARTER FOLD

NO.	STOCK NO.	DESCRIPTION	GOSS PART NO.
1	20181	Timing Belt	51-723675
2	20914	Shaft, Op side	B-111601
3		Nylok Set Screw	
4	20915	Nipping Roller Pulley	B-111518
5		Snap Ring	
6	20916	Roller Bearing	589-722657
7	20227	Nipping Pulley Gear	1B-111520
8	20917	Nipping Pulley	B-111519
9	20918	Collar	812C-040081
10	20915	Nipping Roller Pulley	1B-111518
11	20914	Shaft, Dr Side	B-111601
12	20181	Timing Belt	51-723675

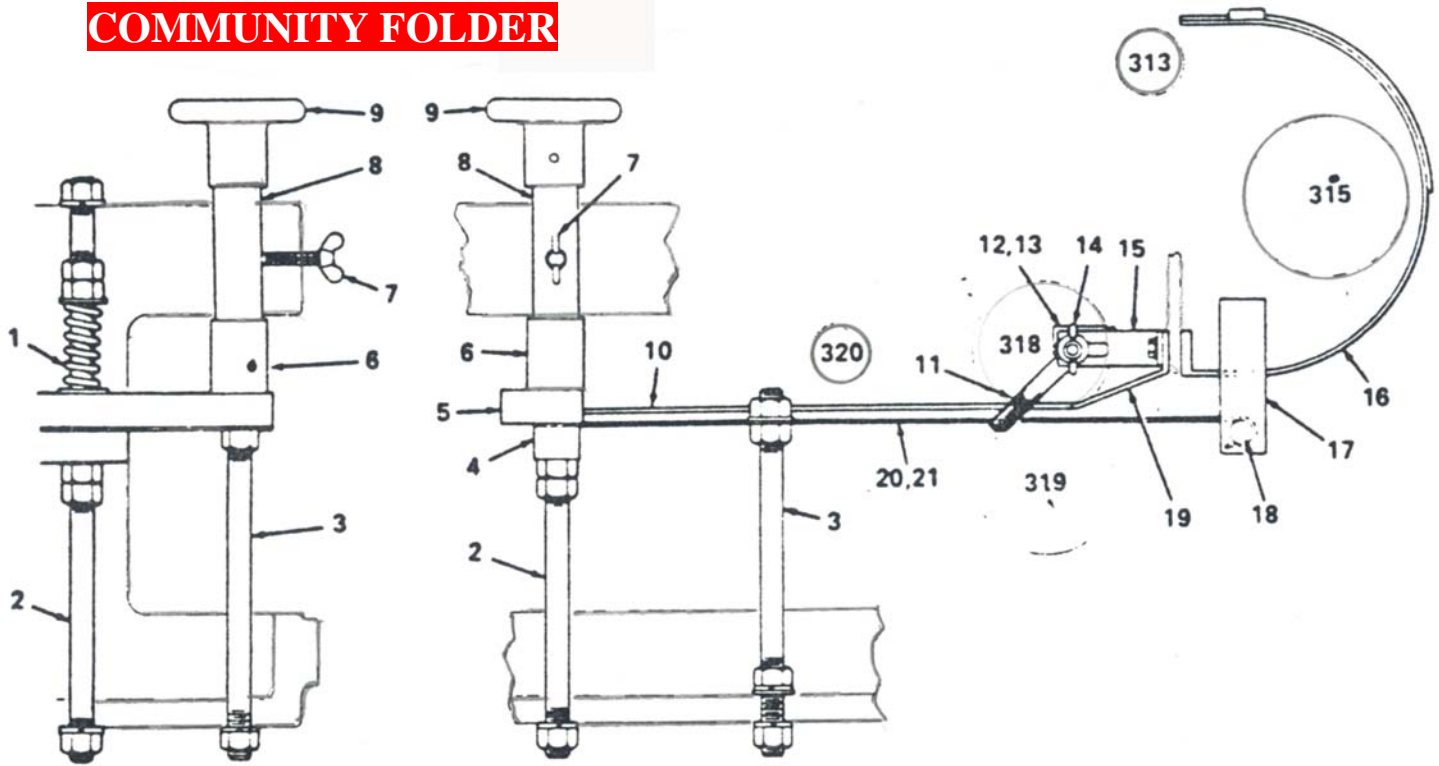
COMMUNITY FOLDER



UPPER NIP PULLEY - QUARTER FOLD

NO.	STOCK NO.	DESCRIPTION	GOSS PART NO.
1	20514	Stripper Bolt	5006C-040131
2	20920	Adjustment Block	1B-109086
3	20921	Adjustment Screw	1B-131758
4	40680	Collar	750C-040081
5	20161	Spring	1B-109303
6	20922	Poppet	B-098288
7	20831	Locknut	AR-001279
8	20923	Knob	1B-131757
9	40553	Retaining Ring	62C-040164
10	20924	Nip Pulley Lever, Op Side	C-090271
11	20924	Nip Pulley Lever, Dr Side	C-090271
12	20107	Bushing	29-729400
13	20925	Shaft	B-098287
14	20926	Retainer	1B-110037
15	20398	Trolley	2B-111359
16	20927	Nipping Pulley	1B-111517
17	20928	Shaft, Op Side	1B-141105
18	20928	Shaft, Dr Side	1B-141105
19	20929	Needle Bearing	542-722657
20	20930	Nipping Pulley Gear	C-062248
21	20929	Needle Bearing, Op side	542-722657
22	20929	Needle Bearing, Dr side	542-722657
23	20931	Delivery Brush	29B-111359

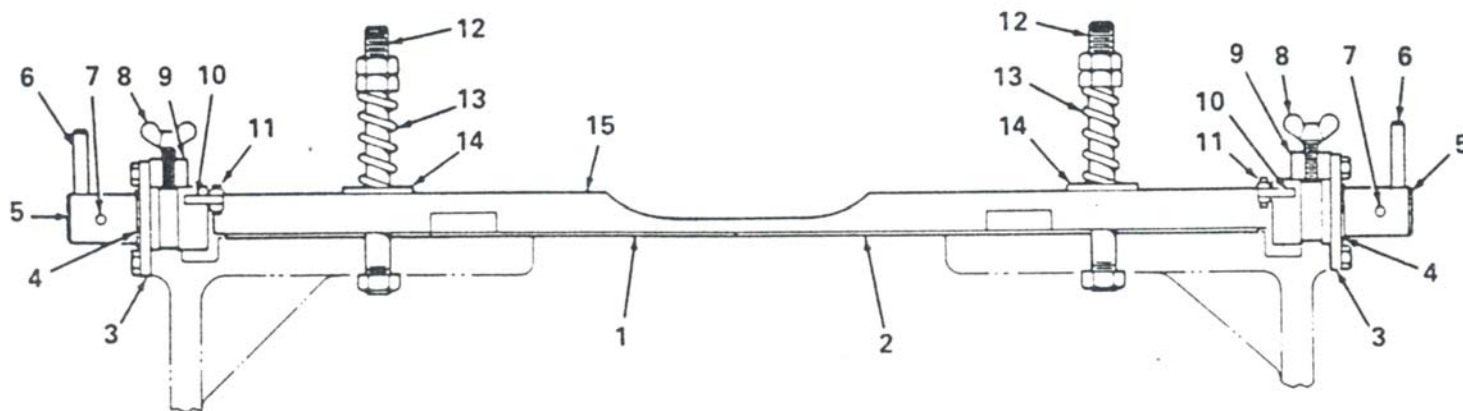
COMMUNITY FOLDER



FOLDING TABLE - QUARTER FOLD

NO.	STOCK NO.	DESCRIPTION	GOSS PART NO.
1	20160	Spring	1AR-004754
2	20932	Table Support Rod	1B-102707
3	20933	Table Support Rod	1B-110030
4	20934	Table Support Bar	B-102702
5	20935	Front Stop	1B-107517
6	20936	Front Stop Adj Eccentric	C-064156
7	20942	Thumbscrew	
8	20937	Front Stop Adj Shaft	1B-107932
9	20938	Knob	1B-101410
10	20939	Outside Paper Guide	1B-102706
11	20940	Paper Stop Brush	B-110336
	20091	Paper Stop Brush	B-097206
12	20941	Brush Bracket, Op Side	B-111793
13	20941	Brush Bracket, Dr Side	B-117793
14	20942	Thumbscrew	2520C-040150
15	20943	Brush Bracket	B-111792
	20944	Brush Bracket	B-104375
16		Guard	
17	20945	Table Bracket	1B-114009
18	20946	Table Support Shaft	1B-111551
19	20947	Inside Paper Guide	1B-098354
20	20948	Table, Op Side	C-060601
21	20948	Table, Dr. Side	C-060601

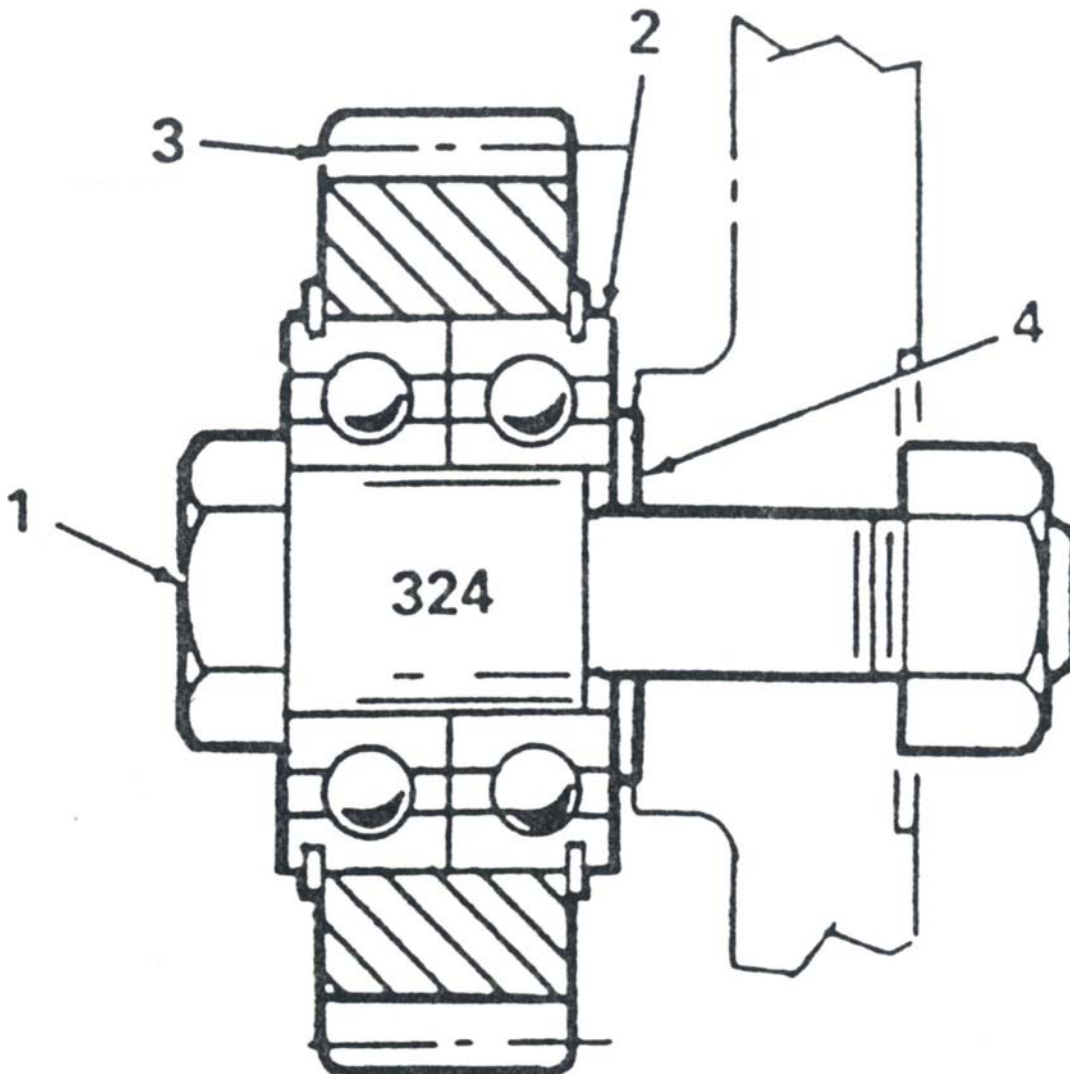
COMMUNITY FOLDER



TAPE & PAPER STOP - QUARTER FOLD

NO.	STOCK NO.	DESCRIPTION	GOSS PART NO.
1	20949	Quarter Fold Table	C-074812
	20950	Quarter Fold Table	C-082109
2	20949	Quarter Fold Table	C-074812
	20950	Quarter Fold Table	C-082109
3	20951	Stop Adjustment End Plate	B-124880
4	20582	Retaining Ring	98C-040164
5	20952	Stop Adjustment Shaft	B-124879
6	20953	Pin	2536C-040082
7	20954	Pin	2536C-040082
8	20955	Thumbscrew	2506C-040138
9	20956	Stop Adjustment Cap	B-124881
10	20957	Dowel Pin	80C-040001
11	20958	Spherical Bearing	20-722685
12	20901	Adjustment Screw	3B-124574
13	20160	Adjustment Spring	1AR-004754
14	20959	Washer	3050C-040072
15	20960	Paper Stop	1C-074762

COMMUNITY FOLDER



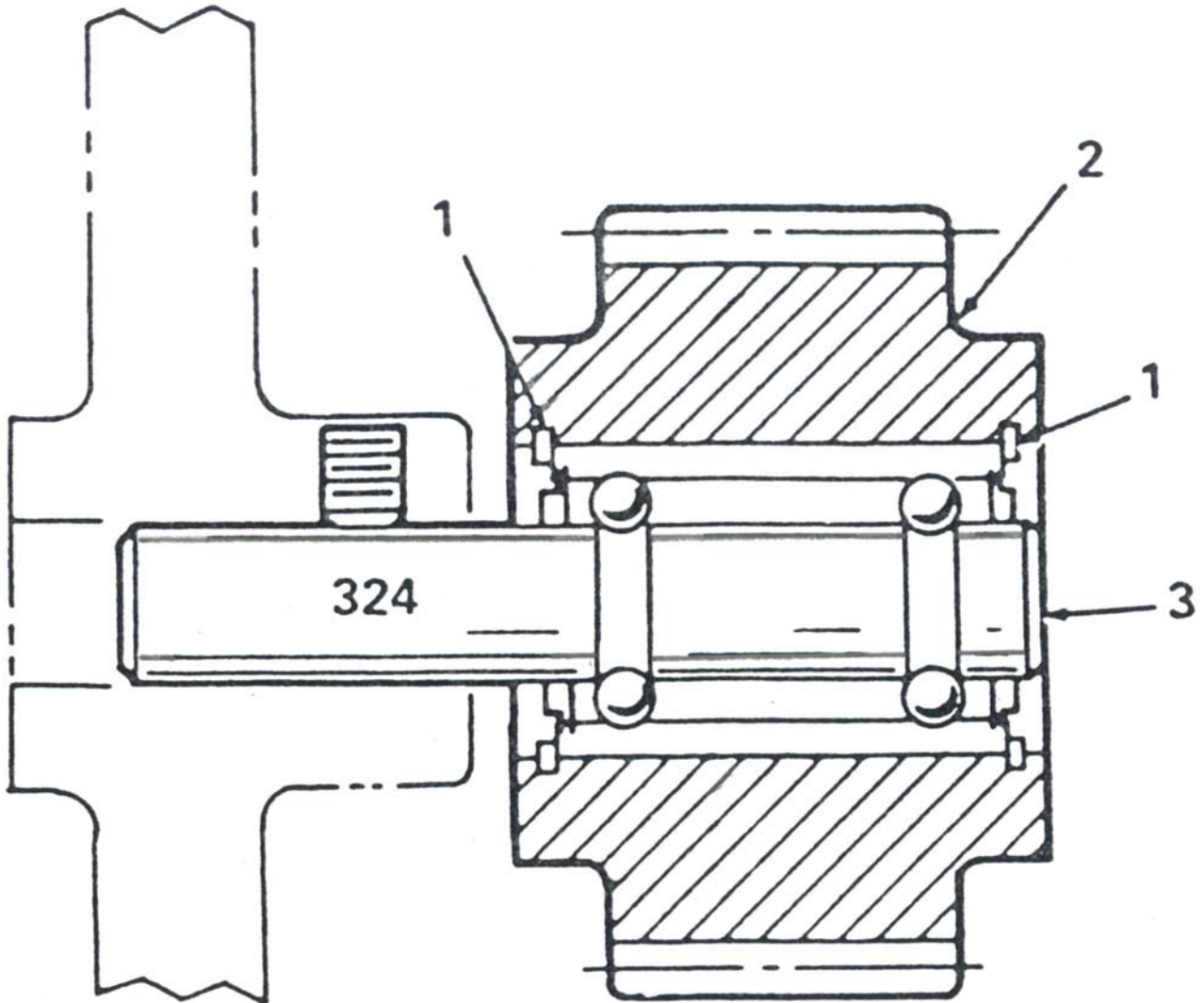
INTERMEDIATE FOLDING DRIVE - QUARTER FOLD

NO.	STOCK NO.	DESCRIPTION	GOSS PART NO.
1	40116	Bearing & Stud	299-722605
2	20961	Idler Gear	1B-098265
3		Special Washer	

www.a-americanpressparts.com

Check our website for updates!

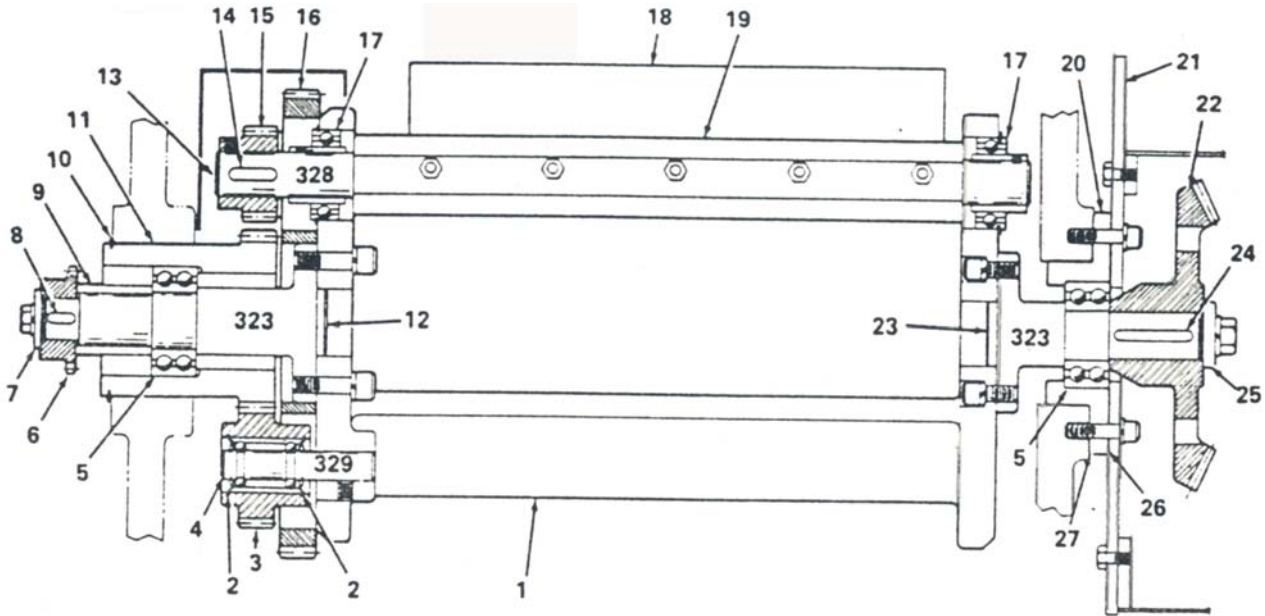
COMMUNITY FOLDER



INTERMEDIATE GEAR TO FOLDING MOTION - QUARTER FOLD

NO.	STOCK NO.	DESCRIPTION	GOSS PART NO.
1	40665	Retaining Ring	969-885470
2	20961	Intermediate Gear	B-098265
3	40116	Bearing & Stud	299-722605

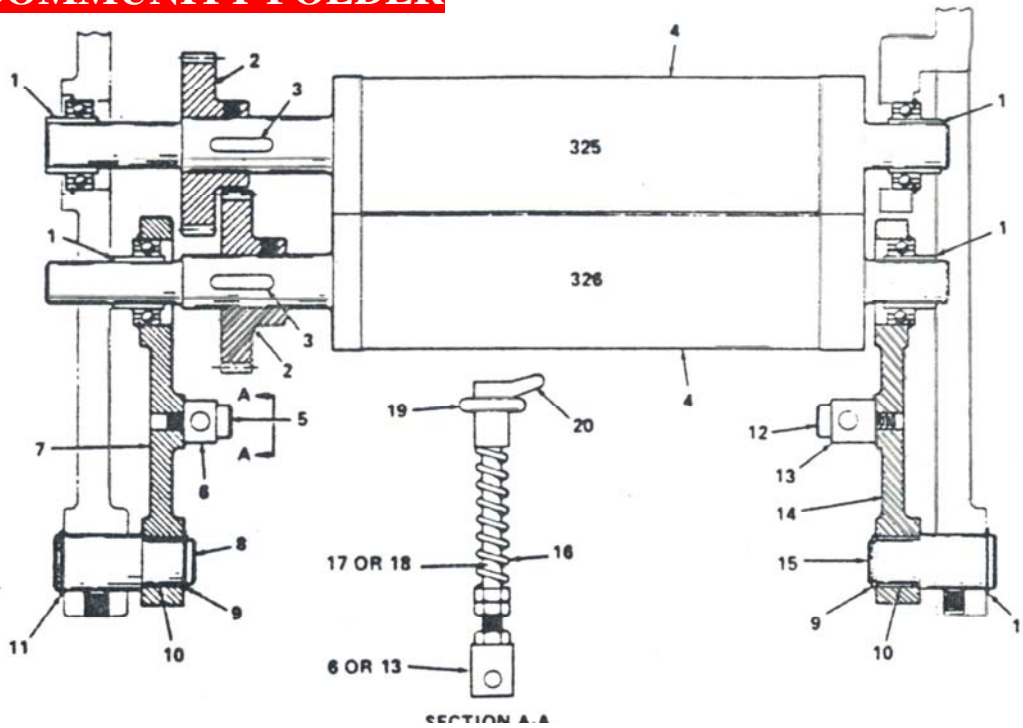
COMMUNITY FOLDER



FOLDING MOTION - QUARTER FOLD

NO.	STOCK NO.	DESCRIPTION	GOSS PART NO.
1	20962	Folding Motion Bracket	D-023921
2	20963	Retaining Ring	958-885470
3	20964	Intermediate Gear	B-098311
4	20965	Bearing & Stud	300-722605
5	20966	Bearing	276-722605
6	20967	Sprocket	1B-098255
7	20968	Washer	1AR-003423
8	20969	Key	27C-040003
9	20970	Spacer	2515C-040064
10	20971	Retaining Ring	1334-885470
11	20972	Sun Gear	C-055157
12	20973	Journal	1C-055158
13	20974	Shaft	1C-064473
14	20751	Key	75C-040003
15	20975	Gear	1B-098310
16	20976	Gear	1C-055156
17	20892	Bearing	301-722605
18	20088	Folding Blade	1C-064157
19	20977	Plate for Blade	1B-098309
20	20978	Reverse Cup	B-098308
21	20979	End Plate	1B-098307
22	20466	Bevel Gear	1C-055160
23	20980	Journal	1C-055159
24	40616	Key	148C-040003
25	20981	Washer	1AR-003425
26	20982	Shim Set	55C-040009
27	20983	Shim Set	58C-040009

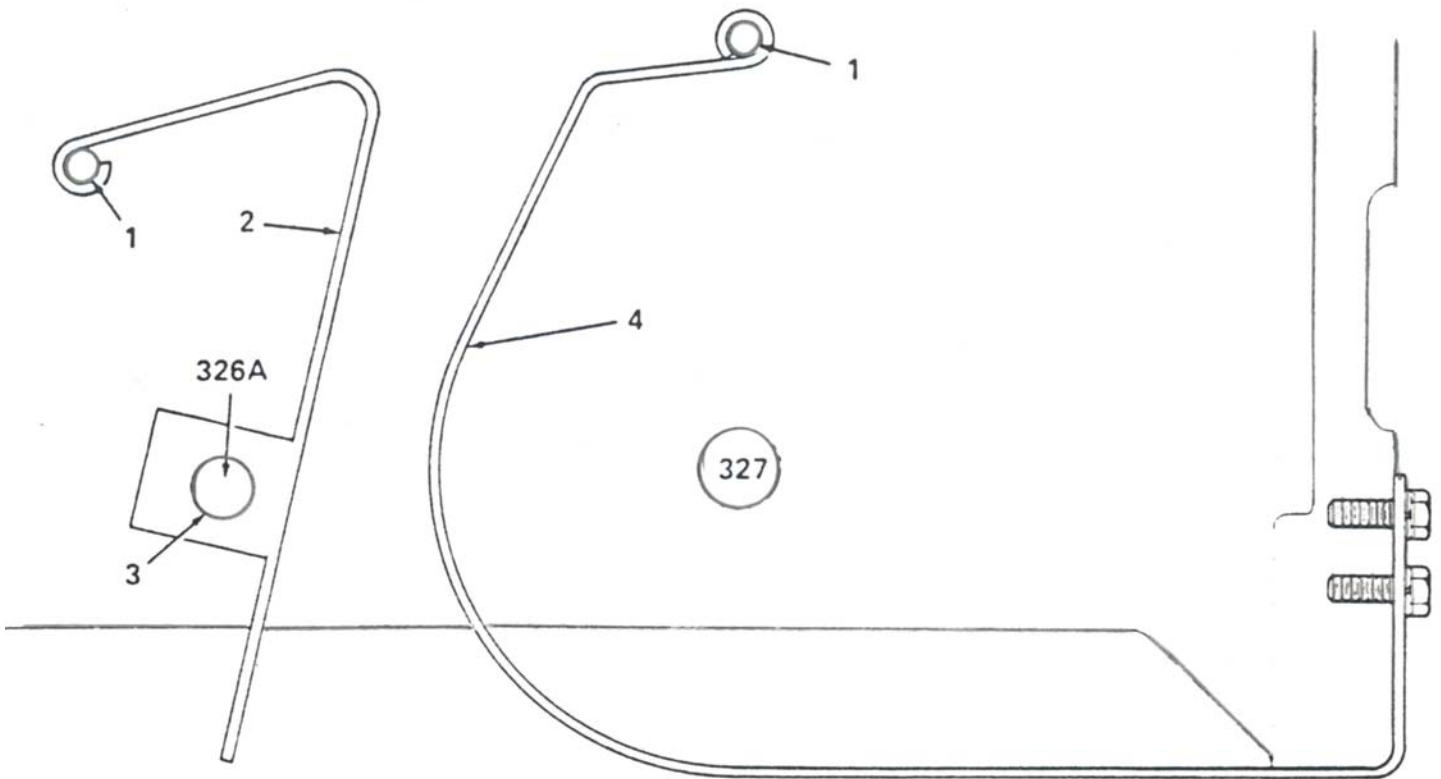
COMMUNITY FOLDER



FOLDING ROLLERS - QUARTER FOLD

NO.	STOCK NO.	DESCRIPTION	GOSS PART NO.
1	20892	Bearing	301-722605
2	20482	Gear	B-098266
3		Key	
4	20182	Folding Roller	1C-056585
5	20514	Stripper Bolt	5006C-040131
6	20083	Adjustment Block	1C-098306
7	40031	Lever	C-055133
8	20299	Stud for Lever	1B-098260
9	20984	Retaining Ring	100C-040164
10		Bronze Bushing	729457-0270
11	40638	Retaining Ring	125C-040164
12	20515	Stripper Bolt	5012C-040131
13	20084	Adjustment Block	B-099974
14	20985	Lever	C-056156
15	20247	Stud for Lever	1B-099973
16	20160	Spring	1AR-004754
17		Adjustment Screw, short	
18	20054	Adjustment Screw, long	1B-098304
19	20167	Knob	1B-098303
20	207831	Locknut	1AR-001279

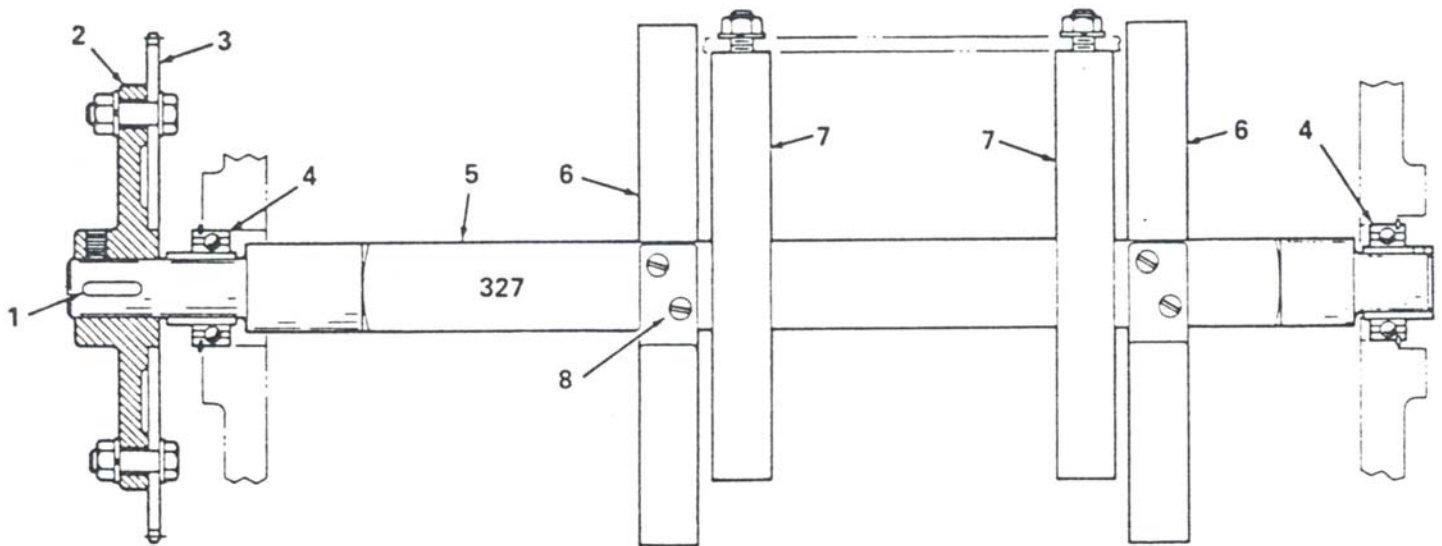
COMMUNITY FOLDER



DELIVERY SHOES - QUARTER FOLD

NO.	STOCK NO.	DESCRIPTION	GOSS PART NO.
1		Shoe Support Rod	
2		Guide Shoe	
3		Shoe Support Shaft	
4		Shoe	

COMMUNITY FOLDER



DELIVERY FLY SHAFT - QUARTER FOLD

NO.	STOCK NO.	DESCRIPTION	GOSS PART NO.
1	20751	Key	75C-040003
2	20986	Hub for Sprocket	B-098269
3	20177	Sprocket	B-098256
4	20892	Bearing	301-722605
5	20987	Fly Shaft	C-055131
6	20094	Fly Finger	B-098254
7	20513	Stripper Shoe	C-055132
8	21166	Screw	1004C-040137
	21167	Screw	1004C-040136