



GOSS 3:2 FOLDER

SEE THE LIGHT

For PRESSROOM SAVINGS



888-434-0888
Toll Free

**Stocking Manufacturer of
Quality Replacement Parts**

(815) 965-0884 Fax (815)965-1049



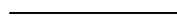
Welcome to the Quality and Service of A-American Press Parts Division. This Catalog is offered to our customers as an easy reference which will assist you in ordering your replacement parts. For your convenience it has been assembled in an ADOBE ACROBAT .PDF format. This is not a complete listing of all parts that are available, as many parts have varying detail numbers based on the type of equipment you have, the age of your equipment and the Model Revision of your equipment. If you do not find precisely what you are looking for please contact us and make use of our service department's combined 70 years of experience with Goss Equipment.

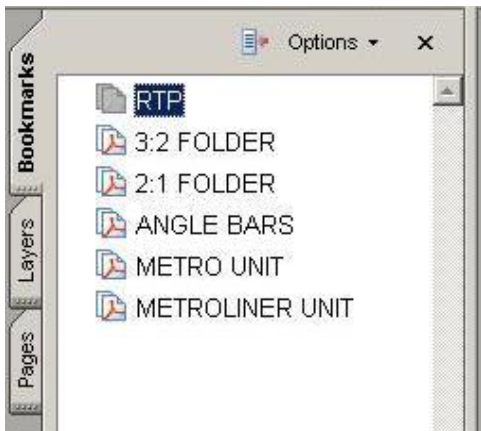
We are committed to offering our customers replacement parts of the highest quality and all parts are manufactured to meet or exceed O.E.M. specifications. If for any reason you are not completely satisfied with any product purchased you may return it for replacement, refund or credit.

MISSION STATEMENT

**To offer the Newspaper industry
excellent service and delivery
of the highest quality replacement components
for printing presses and their related equipment.**

Bookmarks!

For your convenience we have added **bookmarks** to make it easier to navigate through these catalogs. If you look to the left side of the Adobe Acrobat Reader Window you will see this button:  Click this button to open the bookmarks window.

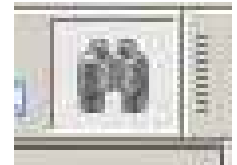


With this window open you may now click to go to any catalog you wish at any time. On each catalogs Table of Contents you will find page numbers that you can click on to be taken to any given page.

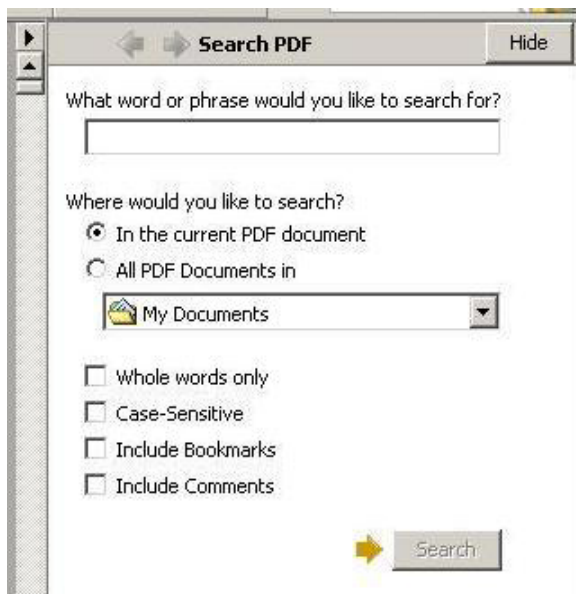
New Feature!

SEARCHABILITY

Using the Adobe Acrobat Reader we have added the ability to do searches within the parts catalog. You may search based upon the part description, the O.E.M part #, or the A-American part #. If you look to the top menu bars of the Adobe Acrobat Reader Window you will see this button:



Click this button to open the search window.



With this window open you may now search all the catalogs simultaneously. You will see every instance that your search query appears within the catalogs.

**** See our Search Tips on the next page****

Search Tips!

Once you have the search window open you can now begin searching based on part description, O.E.M. part #, or A-American part #.

Part Description

Be as general as you possibly can. If you do not find what you are looking for try other general terms. For example if you do not find Knife Box Cushions, try using Cushions or try using Cheekwoods.

O.E.M. Part #

Goss has used letters and dashes at the beginning of many part numbers to signify the size drawing that a part comes from. You may find it easier to just search using the six digit portion of the part number. Additionally Goss has used many detail numbers (-xxxx the last four digits) to signify various differences between parts and models and revisions. Again, you may find it easier to just search using the six digit portion of the part number.

A-American Part #

A-American has included detail numbers also (-xxx the last three digits) to signify various differences between parts, models revisions, upgrades and improvements. You may find it easier to search using just the four digit part number. For example 1523-000 or 1523-00T you may find it easier to search using the 1523.



1-888-434-0888
TOLL FREE

FOLDER 3:2

Table of Contents

Title:	Page
CROSS ASSOCIATION SYSTEM	
Cross Association • 3:2	<u>3</u>
Cross Association Gearing • 3:2	<u>4</u>
CUTTING CYLINDER	
Cutting Cylinder Assembly • 3:2	<u>5</u>
Knife Assembly • Imperial 3:2 • Coil Spring	<u>6</u>
Knife Assembly • 3:2 • Leaf Spring (Old Style)	<u>7</u>
Knife Assembly	<u>9</u>
Cheekwoods	<u>10</u>
Cheekwoods • Leaf Spring (Old Style)	<u>11</u>
Cutting Knives	<u>12</u>
Counter	<u>13</u>
DELIVERY SYSTEM	
Delivery Fly Assembly	<u>14</u>
FOLDING CYLINDER	
Two Piece Pin Post	<u>15</u>
Folder Cylinder Assembly	<u>16</u>
Pin Shaft Assembly	<u>17</u>
Folding Pins	<u>18</u>
Folding Pin Holders	<u>19</u>
Pin Post	<u>20</u>
Cam Followers	<u>21</u>
Folding Blade Shaft Assembly • Silencing & Non-Silencing	<u>22</u>
Folding Cylinder Blades	<u>23</u>
Manual Pin & Lapp System	<u>24</u>
Motorized Pin & Lapp System	<u>25</u>
Spider Wrench Assembly	<u>26</u>
LUBRICATION SYSTEM	
Cam Lubrication System	<u>27</u>
Main Drive Box	<u>28</u>
NIPPING SYSTEM	
Nipping Roller Assy. • Manual Nips	<u>30</u>
Electrical Nipping System	<u>31</u>
Nipping Rings	<u>32</u>
Nip Drive Gears & Shafts	<u>33</u>



1-888-434-0888
TOLL FREE

PNEUMATIC SYSTEM

Pneumatic Folder Clutch	<u>34</u>
Pneumatic Safety System	<u>35</u>

ROLLER TOP OF FORMER

RTF Assembly	<u>36</u>
--------------	-----------

SLITTER SYSTEM

Slitter Shaft & Drive • With Pneumatic Trolley	<u>37</u>
Manual Skip Slitter	<u>38</u>
Pneumatic Skip Slitter	<u>39</u>
Folder Slitters	<u>40</u>

TROLLEY SYSTEM

RTF Manual Trolley	<u>41</u>
Pneumatic Trolley Assembly	<u>42</u>
Trolleys	<u>43</u>

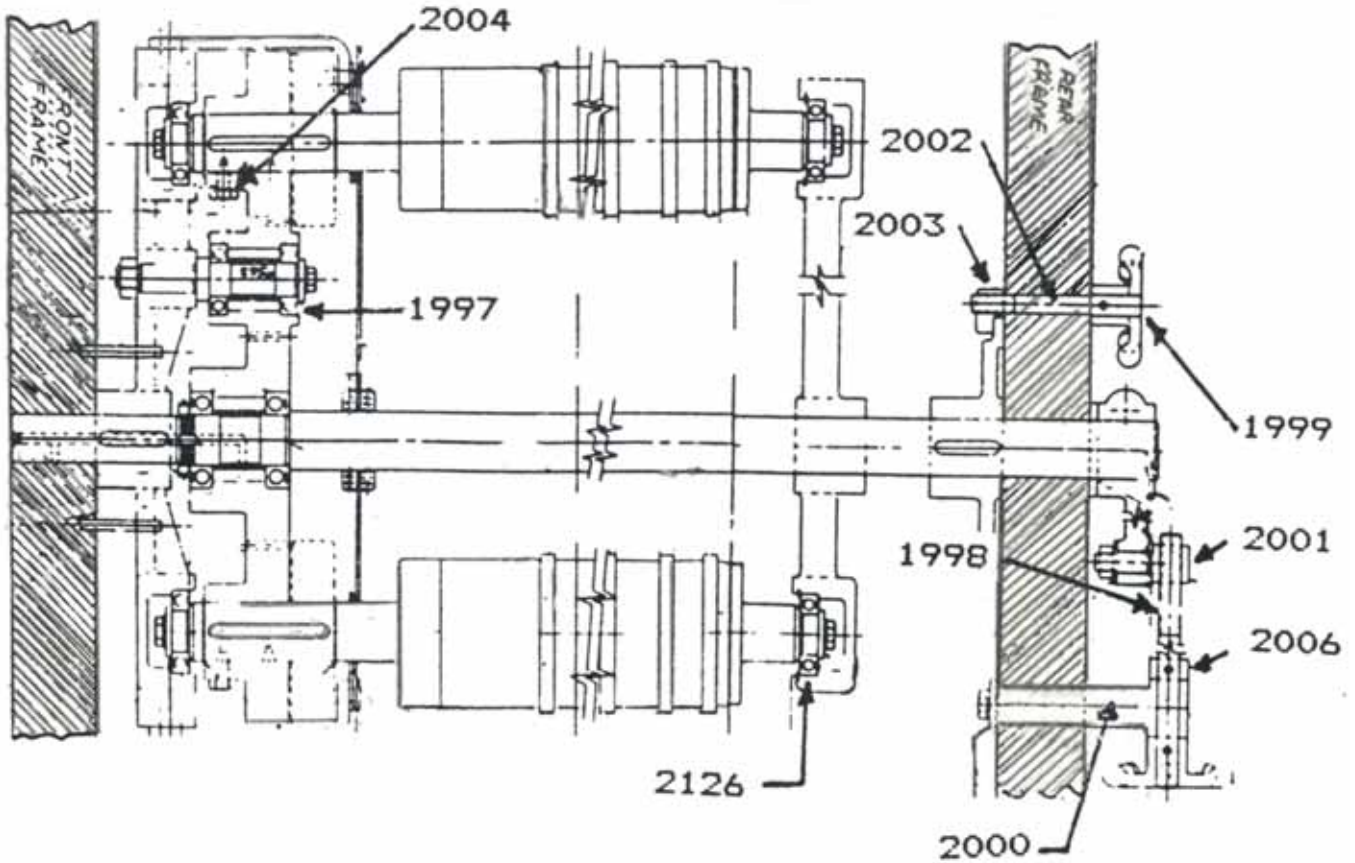
ELECTRICAL SYSTEM

Tachometer & Generator	<u>44</u>
Miscellaneous Electrical	<u>45</u>
Tetco Recorder Gearing Assembly	<u>46</u>
Folder Console • Upright Type (New Style)	<u>48</u>

TOOLS

Folder Tools	<u>50</u>
--------------	-----------

FOLDER: CROSS ASSOCIATION SYSTEM



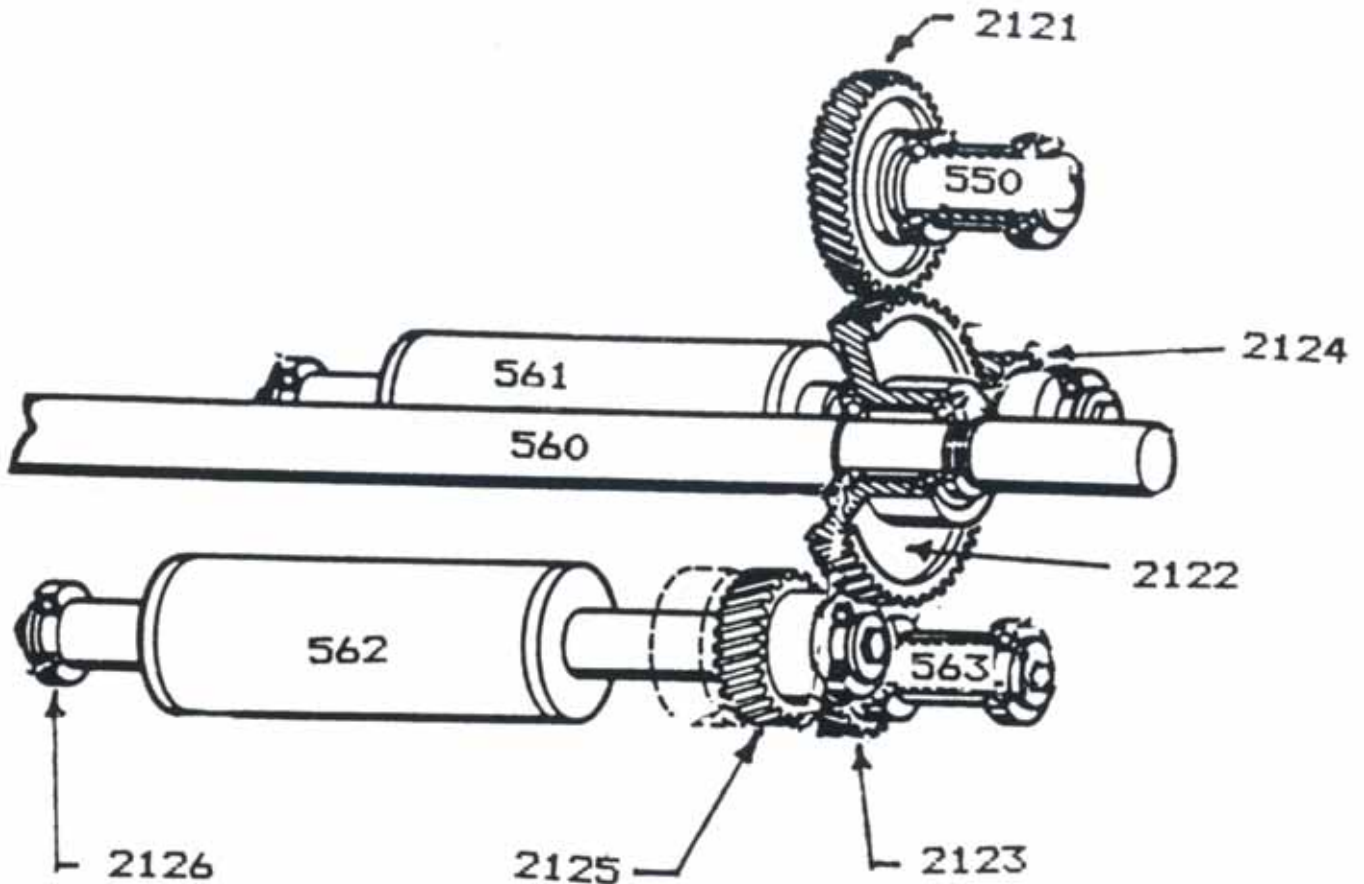
CROSS ASSOCIATION • 3:2

STOCK NO.	DESCRIPTION	GOSS PART NO.
1997	Bearing	C-040102-6209
1998	Adjusting Shaft	B-107321-003
1999	Handwheel	B-033155-0000
2000	Poppet	B-033167-0000
2001	Poppet	AR-003426-0001
2002	Lock Shaft	AR-002845-0001
2003	Lock	AR-002844-0001
2004	Lock Screw	AR-001447-0001
2006	Collar	AR-003485-0001
2126	Bearing	722605-0565

www.a-americanpressparts.com

Check our website for updates!

FOLDER: CROSS ASSOCIATION SYSTEM



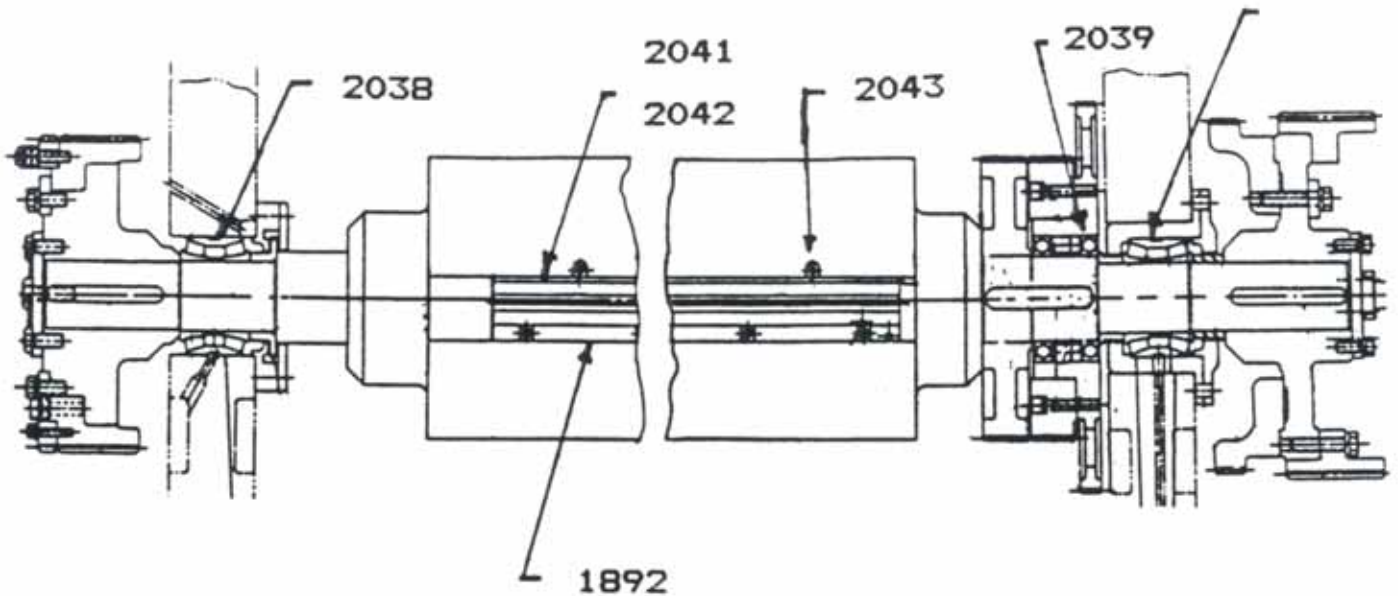
CROSS ASSOCIATION GEARING • 3:2

STOCK NO.	DESCRIPTION	GOSS PART NO.
2121	Gear - CTR 550	C-074951-0001
2122	Gear - CTR 560	C-079954-0001
2123	Gear - CTR 563	C-072596-0001
2124	Gear - CTR 561	B-100309-0000
2125	Gear - CTR 562	B-103385-0000
2126	Bearing	722605-0565

www.a-americanpressparts.com

Check our website for updates!

FOLDER: CUTTING CYLINDER



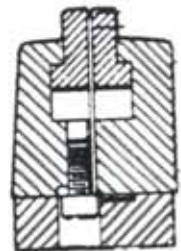
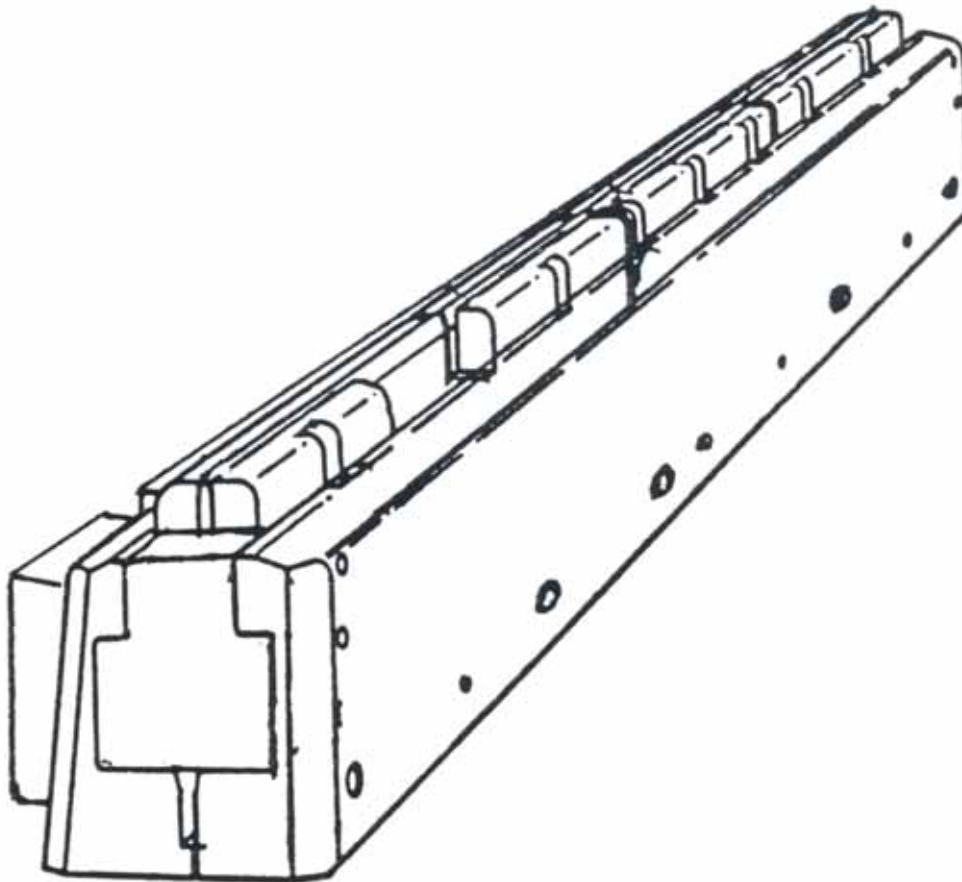
CUTTING CYLINDER ASSEMBLY • 3:2 FOLDER

STOCK NO.	DESCRIPTION	GOSS PART NO.
1892	Wedge Bar	C-083846-0001
2038	Bearing	722673-1152
2039	Bearing	722605-0237
2041	Offset Strip	C-083847-0001
2042	Offset Strip	C-049149-0002
2043	Square Washer	B-093415-0001

www.a-americanpressparts.com

Check our website for updates!

FOLDER: CUTTING CYLINDER



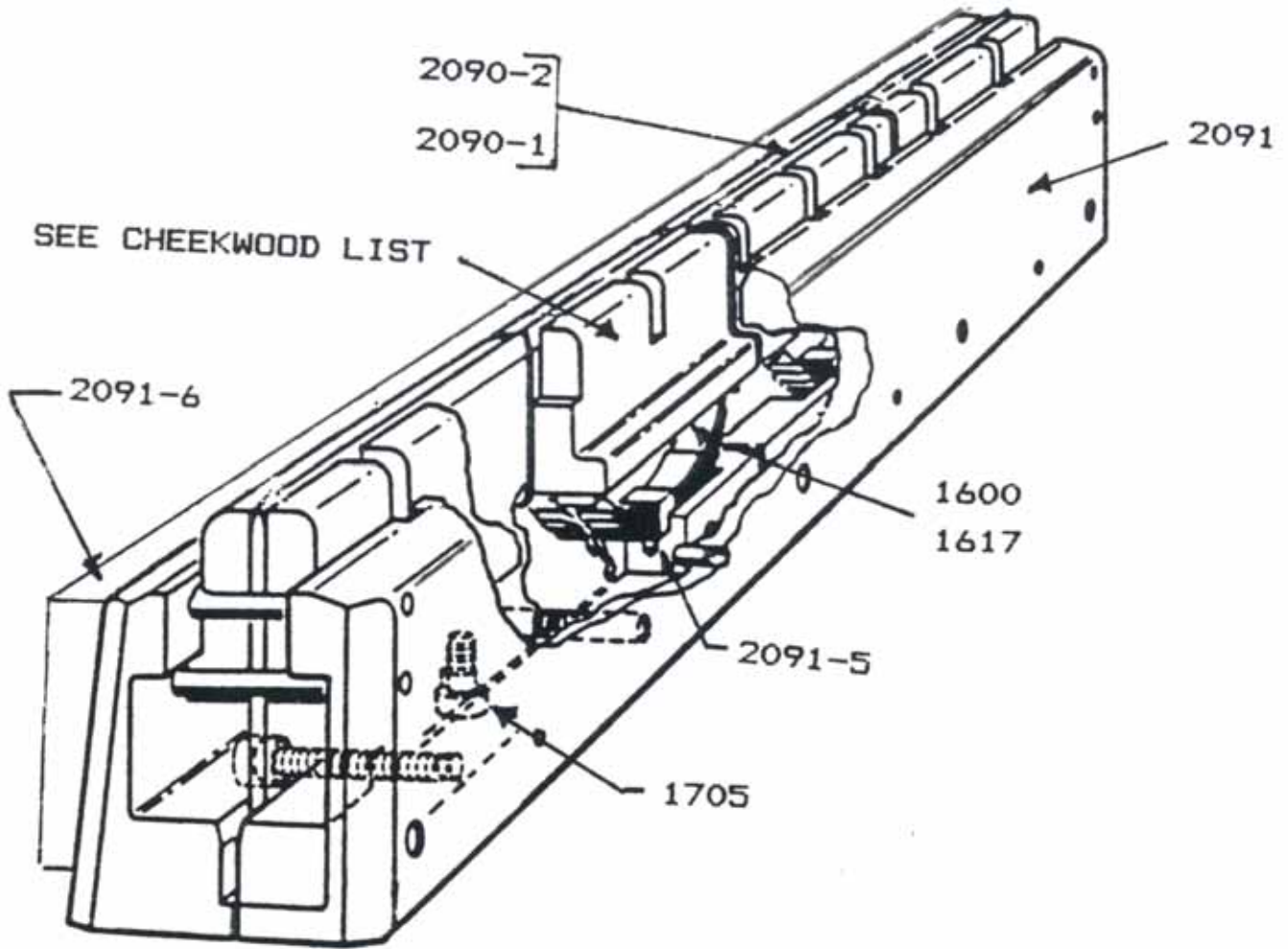
KNIFE ASSEMBLY • IMPERIAL 3:2

STOCK NO.	DESCRIPTION	GOSS PART NO.
1656	Knife Box Assembly - 60" Web	
1657	Lower Wear Strip	B-128356-0001
1661	Upper Wear Strip	B-128357-0001
1891	End Plate	B-142424-0001
1705	Knife Adjusting Screw	AR-002213-0001
1750	Knife - 4-1/4"	B-128396-0001
1796	Knife - 5-1/4"	B-135235-0001
1881	Spring	B-122102-0001
1892	Wedge	C-083846-0001

www.a-americanpressparts.com

Check our website for updates!

FOLDER: CUTTING CYLINDER



KNIFE ASSEMBLY • 3:2 (OLD STYLE – LEAF SPRING)

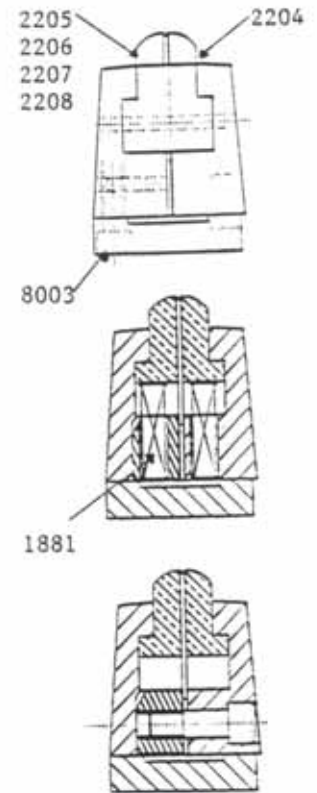
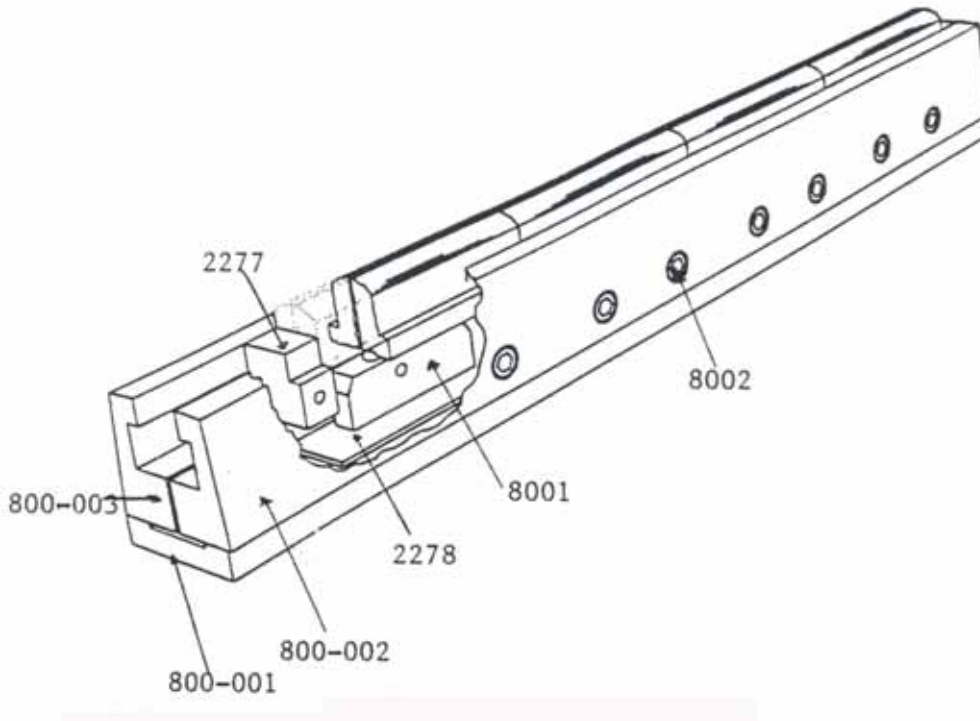
STOCK NO.	DESCRIPTION	GOSS PART NO.
1600	Spring - 9 Leaf	B-097242-0001
1617	Spring - 17 Leaf	C-082630-0001
1705	Adjusting Screw	AR-002213-0001
2090-1	Knife - 4-1/4"	B-092343-0001
2090-2	Knife - 5-1/4"	B-098821-0001
2091	Knife Assembly - 60" Web	
2091-5	Knife Holder	B-090416-0001
2091-6	Wedge Bar	C-049148-0001



1-888-434-0888
TOLL FREE

FOLDER: NOTES

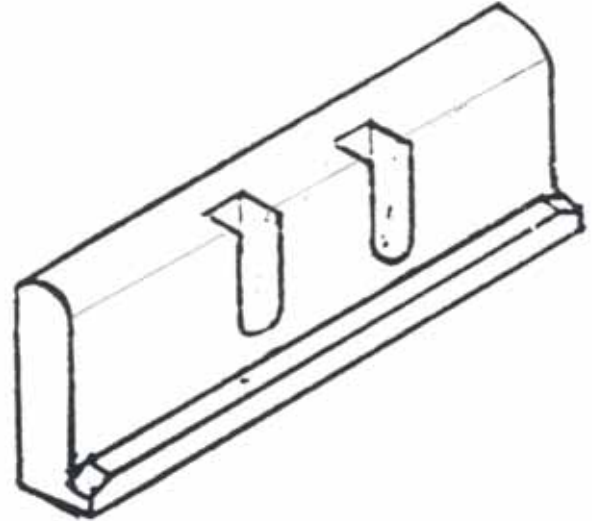
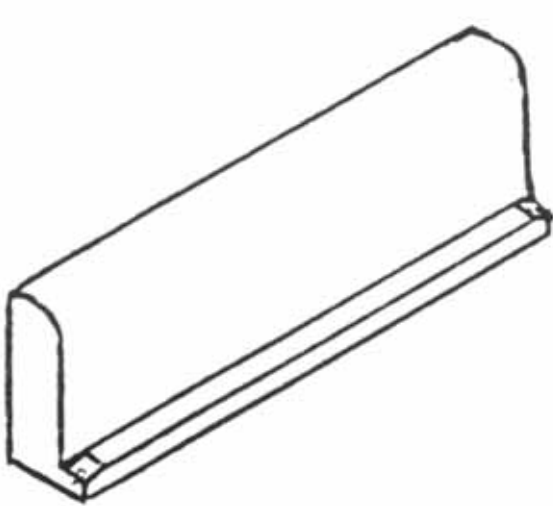
FOLDER: KNIFE BOX ASSEMBLY



KNIFE BOX ASSEMBLY IMPERIAL • 3:2 (160 PAGES)

STOCK NO.	DESCRIPTION	GOSS PART NO.
8000-000	Knife Box Assembly	E-010518-0001
8000-001	Knife Box Base (1)	E-010956-0001
8000-002	Wedge Side (1)	E-010954-0030
8000-003	Straight Side (1)	E-010954-0013
2278-000	Lower Wear Strip (1)	C-111725-0001
2243-000	Upper Wear Strip (1)	B-153822-0001
2243-004	Upper Wear Strip (1)	B-153822-0004
2277-000	End Plate (2)	B-153819-0001
8001-000	Knife Holder Assy (4)	C-111726-0001
8002-000	SHCS (13)	
8003-000	SHCS (6)	
1705-001	Knife Adjusting Screws (8)	
1881-000	Spring (32)	B-122102-0001
2204-000	Plain Side Cushion (4)	C-111548-0001
2205-000	Pin Side Cushion (1)	C-111719-0001
2206-000	Pin Side Cushion (1)	C-111720-0001
2207-000	Pin Side Cushion (1)	C-111721-0000
2208-	Pin Side Cushion (1)	Varies with W/W

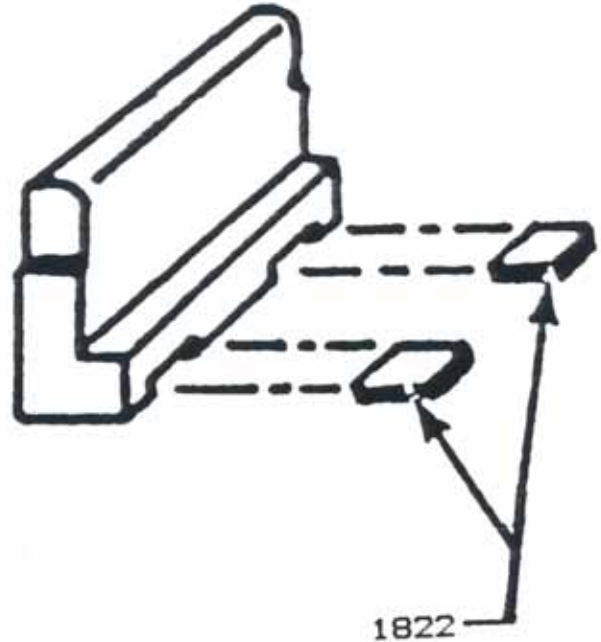
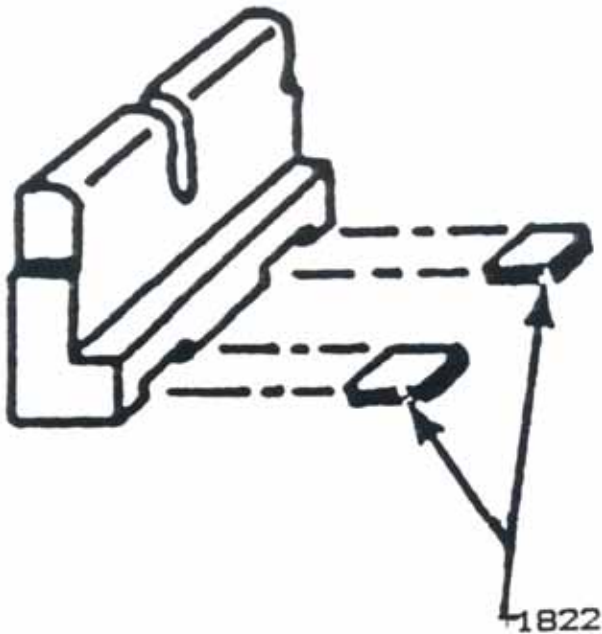
FOLDER: CUTTING CYLINDER



CHEEKWOODS • IMPERIAL 3:2

STOCK NO.	DESCRIPTION	GOSS PART NO.
1545	Plain Cheekwood (4-1/4)	B-128375-0001
1626	Plain Cheekwood (5-1/4)	B-135236-0001
1641	Slotted Cheekwood	B-128371-0001
1620	Slotted Cheekwood	B-128372-0001
1642	Slotted Cheekwood	B-128373-0001
1885	Slotted Cheekwood	B-135237-0001
1883	Slotted Cheekwood	B-135238-0000
1886	Slotted Cheekwood	B-135239-0000
1887	Slotted Cheekwood	B-135240-0000
1888	Slotted Cheekwood	B-135241-0000
1889	Slotted Cheekwood	B-135242-0000
1890	Slotted Cheekwood	B-135243-0000
1621	Slotted Cheekwood	B-146786-0001
1622	Slotted Cheekwood	B-146786-0003
1882	Slotted Cheekwood	B-146786-0004
1599	Slotted Cheekwood	B-146786-0005
1884	Slotted Cheekwood	B-146786-0006

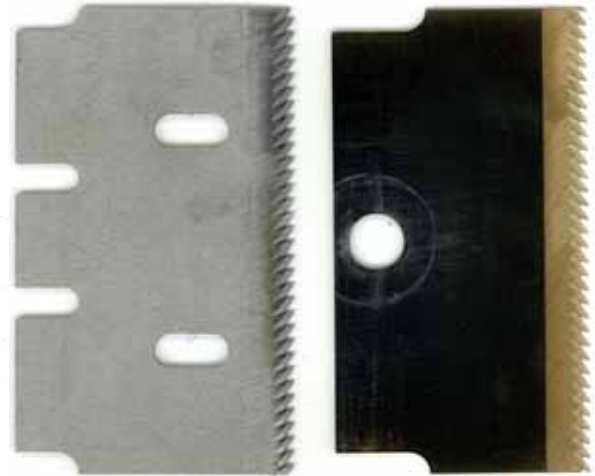
FOLDER: CUTTING CYLINDER



CHEEKWOODS • (OLD STYLE – LEAF SPRING) 3:2

STOCK NO.	DESCRIPTION	GOSS PART NO.
1737-1	Plain Cheekwood - 4-1/4" lg.	B-111257-0003
1737-2	Plain Cheekwood - 5-1/4" lg.	B-111264-0003
1737-3	Slotted Cheekwood - 4-1/4" lg.	B-113790-0001
1737-4	Slotted Cheekwood - 4-1/4" lg.	B-113791-0001
1737-5	Slotted Cheekwood - 4-1/4" lg.	B-113792-0001
1737-6	Slotted Cheekwood - 4-1/4" lg.	B-113793-0001
1737-7	Slotted Cheekwood - 5-1/4" lg.	B-115948-0001
1737-8	Slotted Cheekwood - 5-1/4" lg.	B-115947-0001
1822	Plastic Insert	

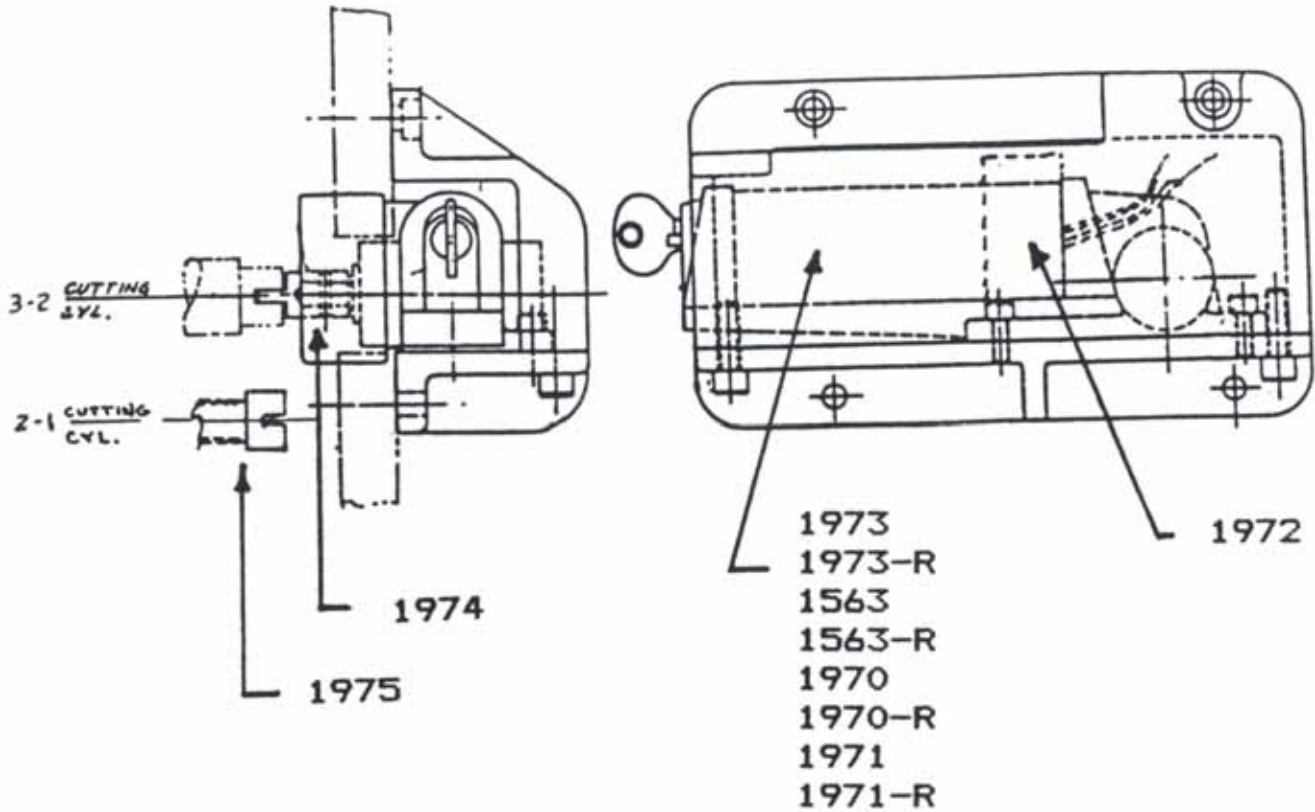
FOLDER: CUTTING CYLINDER



FOLDER CUTTING KNIVES

STOCK NO.	DESCRIPTION	GOSS PART NO.
1795	Knife - Chromed Hardened Steel	B-097597-0001
1742	Knife - Chromed Hardened Steel	B-0104419-0001
1742-1PC	1-Pc Knife - Chromed Hardened Steel	
1745	Knife - Chromed Hardened Steel	B-104650-0001
1745-1PC	1-Pc Knife - Chromed Hardened Steel	
1745-1PS	1-Pc Knife - Chromed Hardened Steel (Straight Tooth)	
1746	Knife - Chromed Hardened Steel	B-104651-0001
1747	Knife - Chromed Hardened Steel	B-104652-0001
1748	Knife - Chromed Hardened Steel	B-104653-0001
1749	Knife - Chromed Hardened Steel	B-108955-0001
1750	Knife - Chromed Hardened Steel	B-128396-0001
1750-1PC	1-Pc Knife - Chromed Hardened Steel	
1750-1PT	1-Pc Knife - Chromed Hardened Steel (Tin Coated)	
1750-STR	1-Pc Knife - Chromed Hardened Steel (Straight Tooth)	
1751	Knife - Chromed Hardened Steel	B-128627-0001
1751-00T	Knife - Chromed Hardened Steel (Tin Coated)	
1751-1PC	1-Pc Knife - Chromed Hardened Steel	
1751-1PT	1-Pc Knife - Chromed Hardened Steel (Tin Coated)	
1751-1PF	1-Pc Knife - Chromed Hardened Steel (Fine Toothed)	
1796	Knife - Chromed Hardened Steel	B-135235-0001
2066	Knife for 160 Page Folder	C-115105-0001
2066-00T	Knife for 160 Page Folder (Tin Coated)	

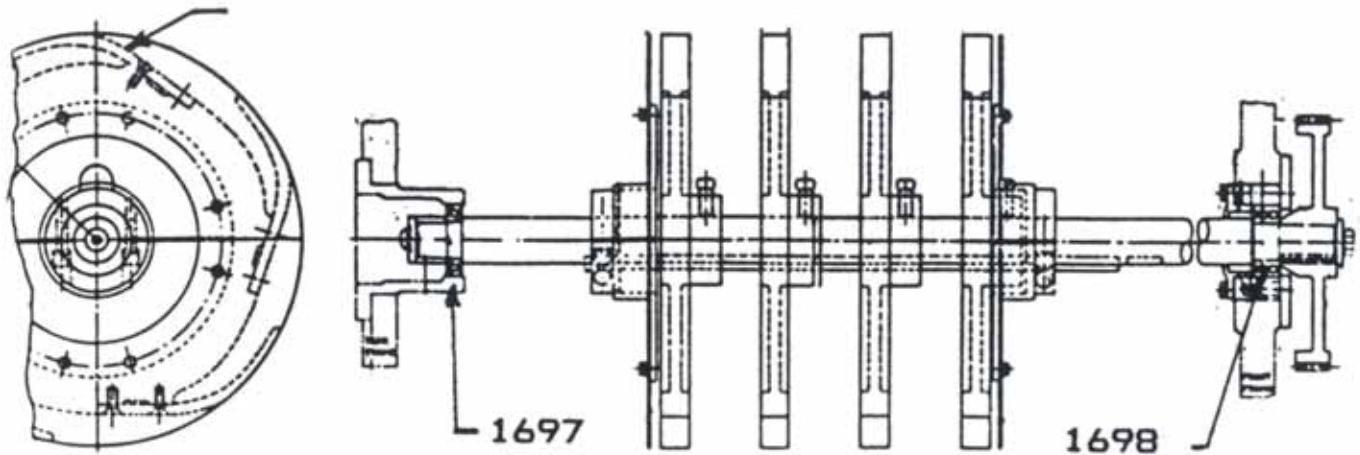
FOLDER: CUTTING CYLINDER



COUNTER • 2:1 & 3:2 FOLDER

STOCK NO.	DESCRIPTION	GOSS PART NO.
1973	3:2 Counter - w/o Relay	D-035410-0001
1973-R	Rebuilt 3:2 Counter - w/o Relay	
1563	3:2 Counter - w/ Relay	
1563-R	Rebuilt 3:2 Counter - w/ Relay	
1970	2:1 Counter - w/o Relay	
1970-R	Rebuilt 2:1 Counter - w/o Relay	
1971	2:1 Counter - w/ Relay	
1971-R	Rebuilt 2:1 Counter - w/ Relay	
1972	Relay	B-124809-0001
1974	Sleeve	
1975	Bolt	

FOLDER: DELIVERY SYSTEM



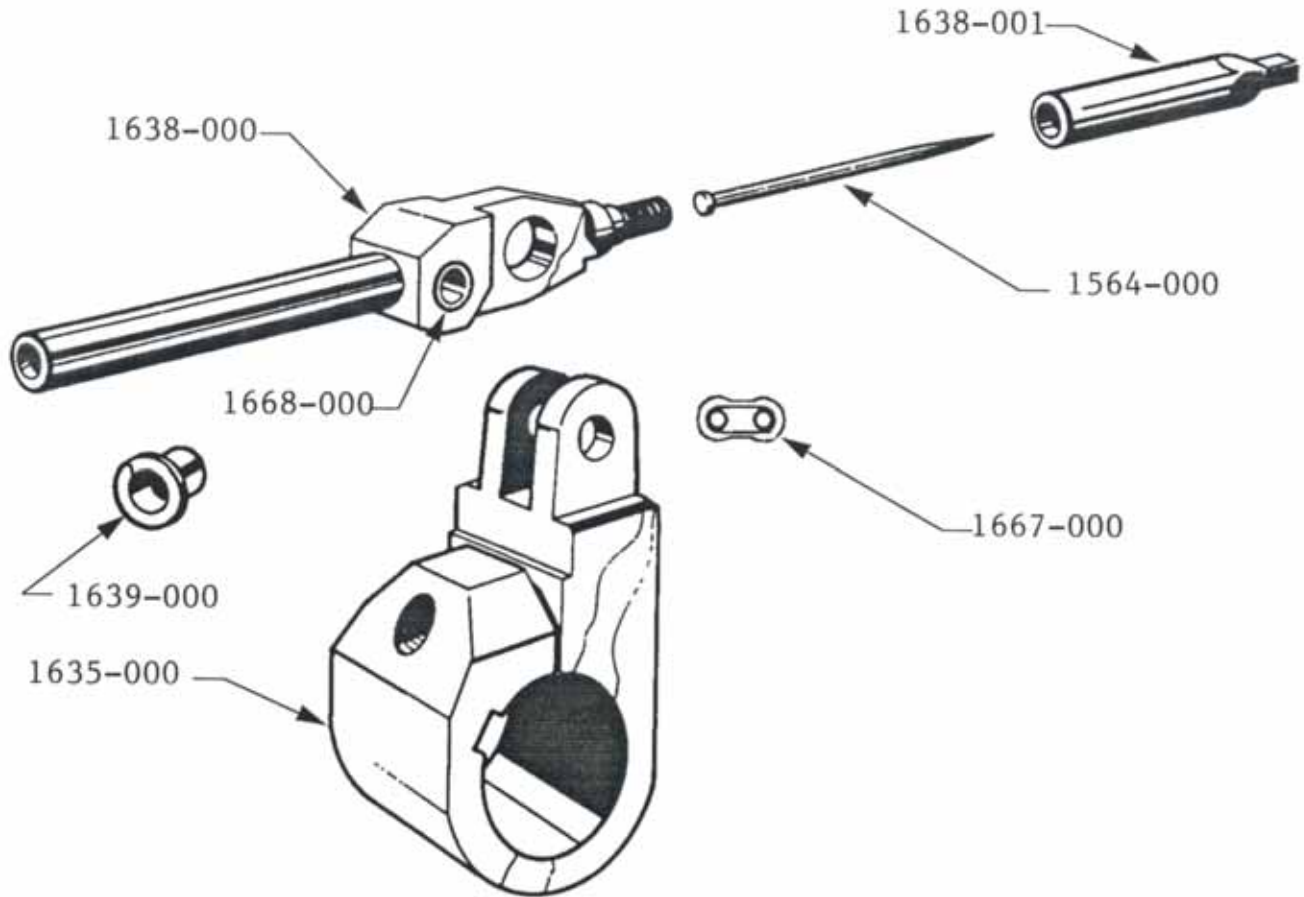
DELIVERY FLY ASSEMBLY • 3:2 FOLDER

STOCK NO.	DESCRIPTION	GOSS PART NO.
1697	Bearing	722605-0567
1698	Bearing	C-040108-5208

www.a-americanpressparts.com

Check our website for updates!

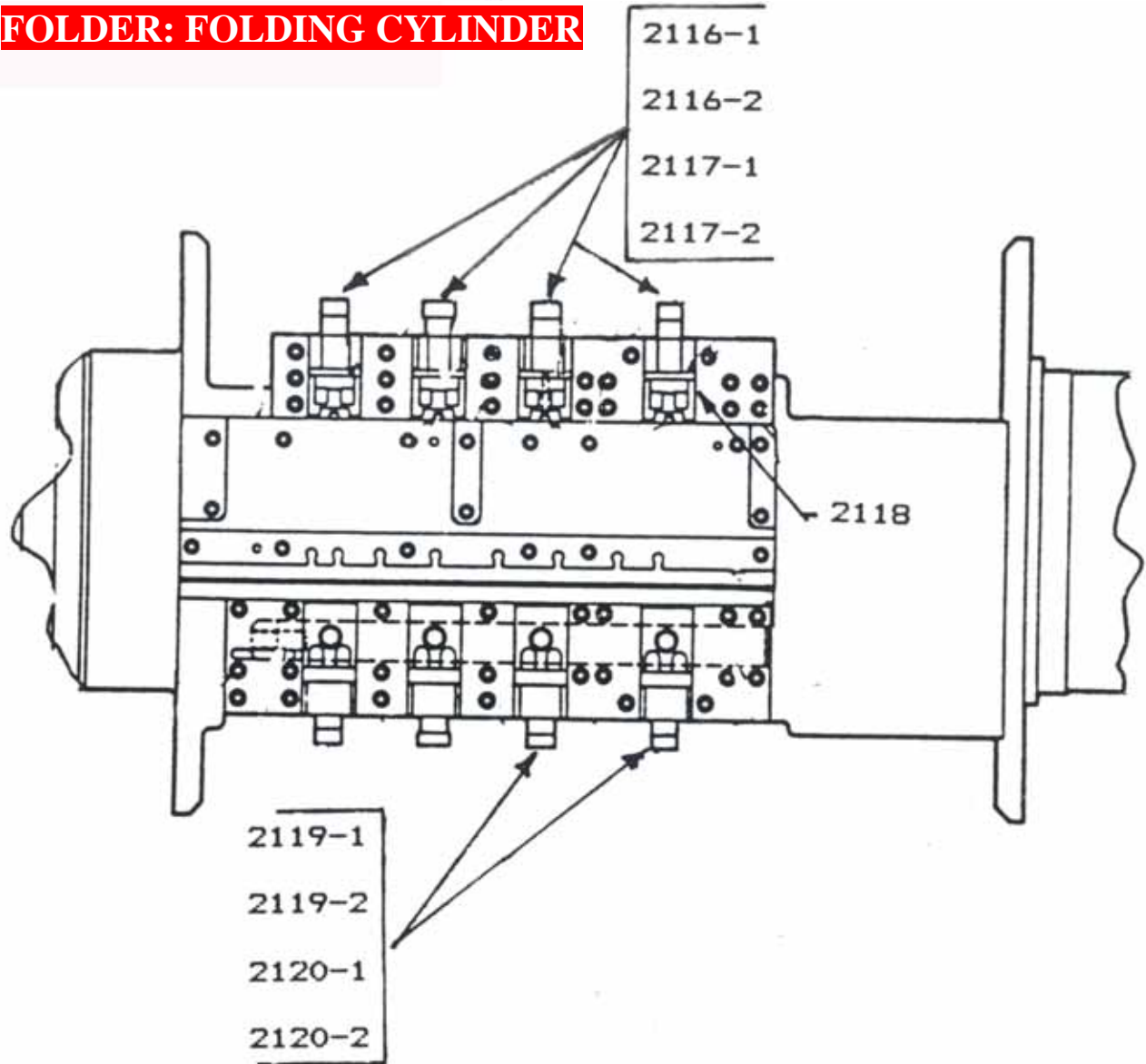
FOLDER: FOLDING CYLINDER



TWO PIECE PIN POST

STOCK NO.	DESCRIPTION	GOSS PART NO.
1638-000	Two Piece Pin Post	
1638-001	Pin Post Tip	
1564-000	Folding Pin	
1635-000	Pin Lever	
1639-000	Pin Post Bushing	
1667-000	Chain Link	
1668-000	Chain Bushing	
9034-000	Torque Wrench	

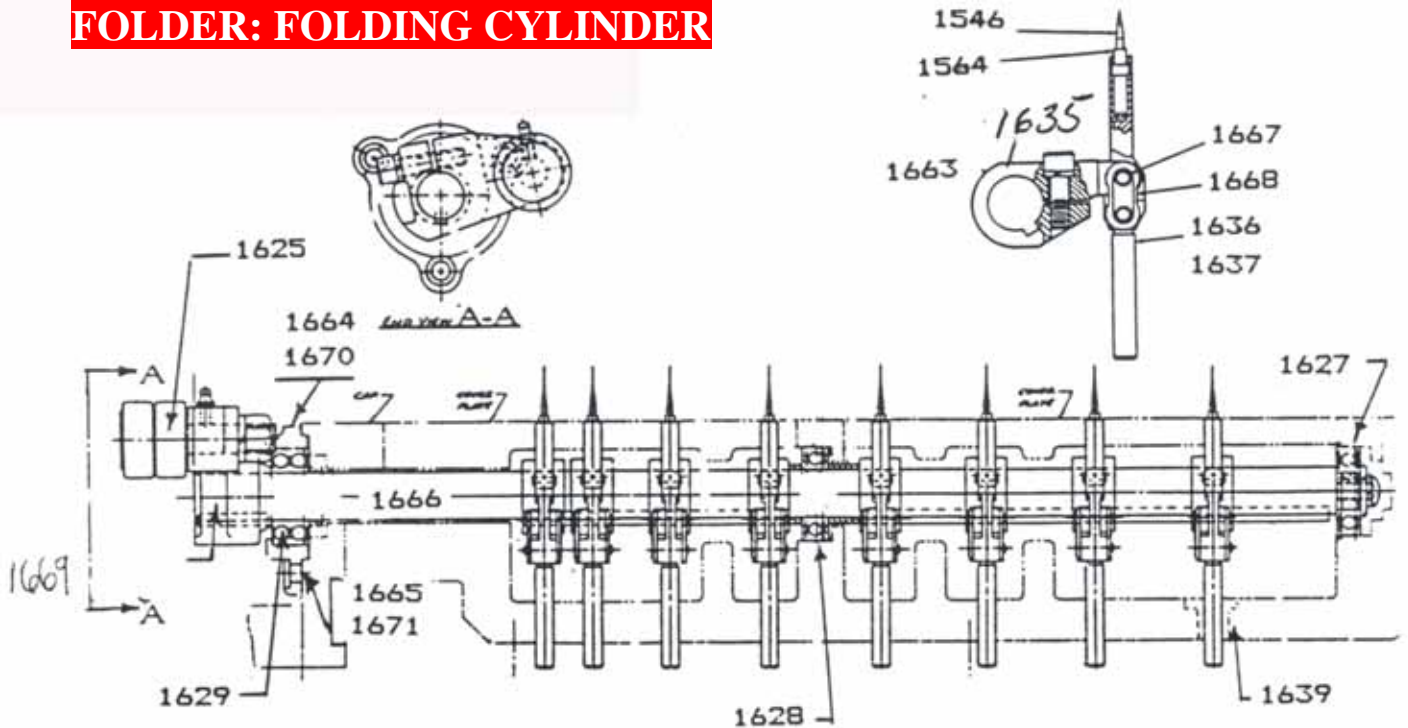
FOLDER: FOLDING CYLINDER



FOLDING CYLINDER ASSEMBLY • 3:2

STOCK NO.	DESCRIPTION	GOSS PART NO.
2116-1	Bands - 13-11/16	C-068361-0001
2116-2	Bands - 13-11/16	C-068362-0001
2117-1	Bands - 14-1/2	C-053441-0001
2117-2	Bands - 14-1/2	C-053442-0001
2118	Stop Spring - Rubber	B-127343-0001
2119-1	Spring - 13-11/16	B-120689-0003
2119-2	Spring - 14-1/2	B-120689-0001
2120-1	Spring - 13-11/16	B-120690-0003
2120-2	Spring - 14-1/2	B-120690-0001

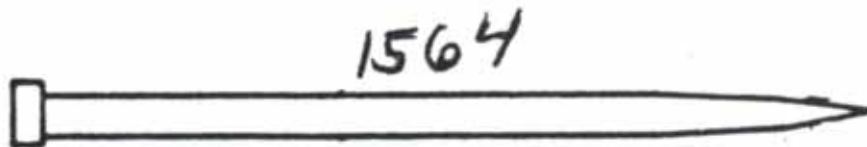
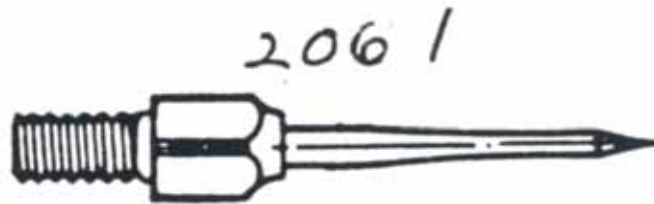
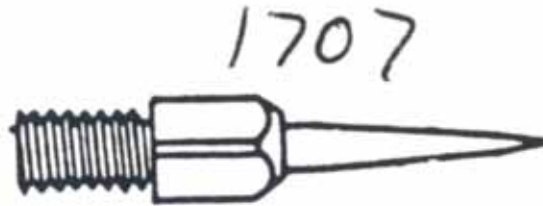
FOLDER: FOLDING CYLINDER



PIN SHAFT ASSEMBLY • IMPERIAL 3:2

STOCK NO.	DESCRIPTION	GOSS PART NO.
1546	Pin Holder	B-111843-0002
1564	Folding Pin	B-111843-0002
1627	Bearing	722605-0104
1628	Bearing	722605-0143
1629	Bearing	722605-0275
1667	Chain Link	825709-0012
1668	Chain Bushing	729400-0065
1625	Cam Roller & Stud	B-148421-0001
1635	Folding Pin Lever	C-048925-0001
1636	Pin Holding Post - 13-11/16 Press	C-066506-0001
1637	Pin Holding Post - 14-1/2 to 15 Press	C-066505-0001
1639	Bushing	B-117512-0001
1663	Pin Shaft Lever - 13-11/16 Press	C-068589-000
1664	Bearing Cup - 13-11/16 Press	B-117297-0000
1665	Shim - 13-11/16 Press	B-117296-0004
1666	Shaft - 13-11/16 Press	C-048923-0001
1669	Pin Shaft Lever - 14-1/2 Press	C-053944-0000
1670	Bearing Cup - 14-1/2 Press	B-090105-0000
1671	Shim - 14-1/2 Press	B-090106-0000

FOLDER: FOLDING CYLINDER



FOLDING PINS • 2:1, 3:2 & REGENT

STOCK NO.	DESCRIPTION	GOSS PART NO.
1564	Folding Pin	B-111844-0001
1707	Collect Pin	A-009563-0002
2061	Folding Pin / Collect Pin	A-011943-0001

FOLDER: PIN HOLDER OR ADAPTER



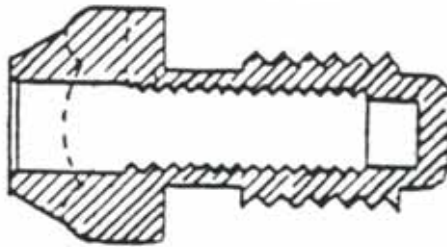
2:1 & 3:2 FOLDERS

STOCK NO.	DESCRIPTION	GOSS PART NO.
1546	Pin Holder	B-111843-0002



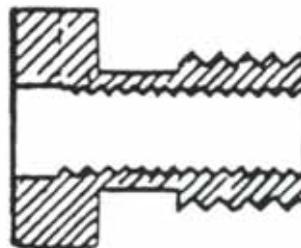
GREENSTREAK 160 PAGE FOLDER

STOCK NO.	DESCRIPTION	GOSS PART NO.
1823	Pin Holder	B-111843-0000



2:1 FOLDER

STOCK NO.	DESCRIPTION	GOSS PART NO.
1601	Pin Adapter	B-103589-0001



REGENT - OLD STYLE 2:1 FOLDER

STOCK NO.	DESCRIPTION	GOSS PART NO.
2061	Pin Adapter	AR-002177-0001

FOLDER: PIN POST



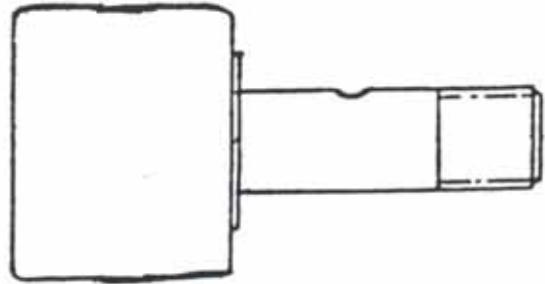
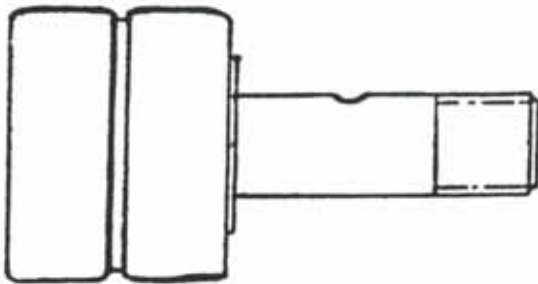
PIN POST

STOCK NO.	DESCRIPTION	GOSS PART NO.
1636	Pin Post	C-066506-0001
1637	Pin Post	C-066505-0001
1708	Pin Post	B-047169-0005
1834-1	Pin Post	B-047169-0008
1834-2	Pin Post	B-047169-0013
1834-3	Pin Post	B-047169-0004
1834-4	Pin Post	B-047169-0014
1834-5	Pin Post	B-047169-0016
1879	Pin Post	B-047169-0006



1-888-434-0888
TOLL FREE

FOLDER: CAM FOLLOWERS



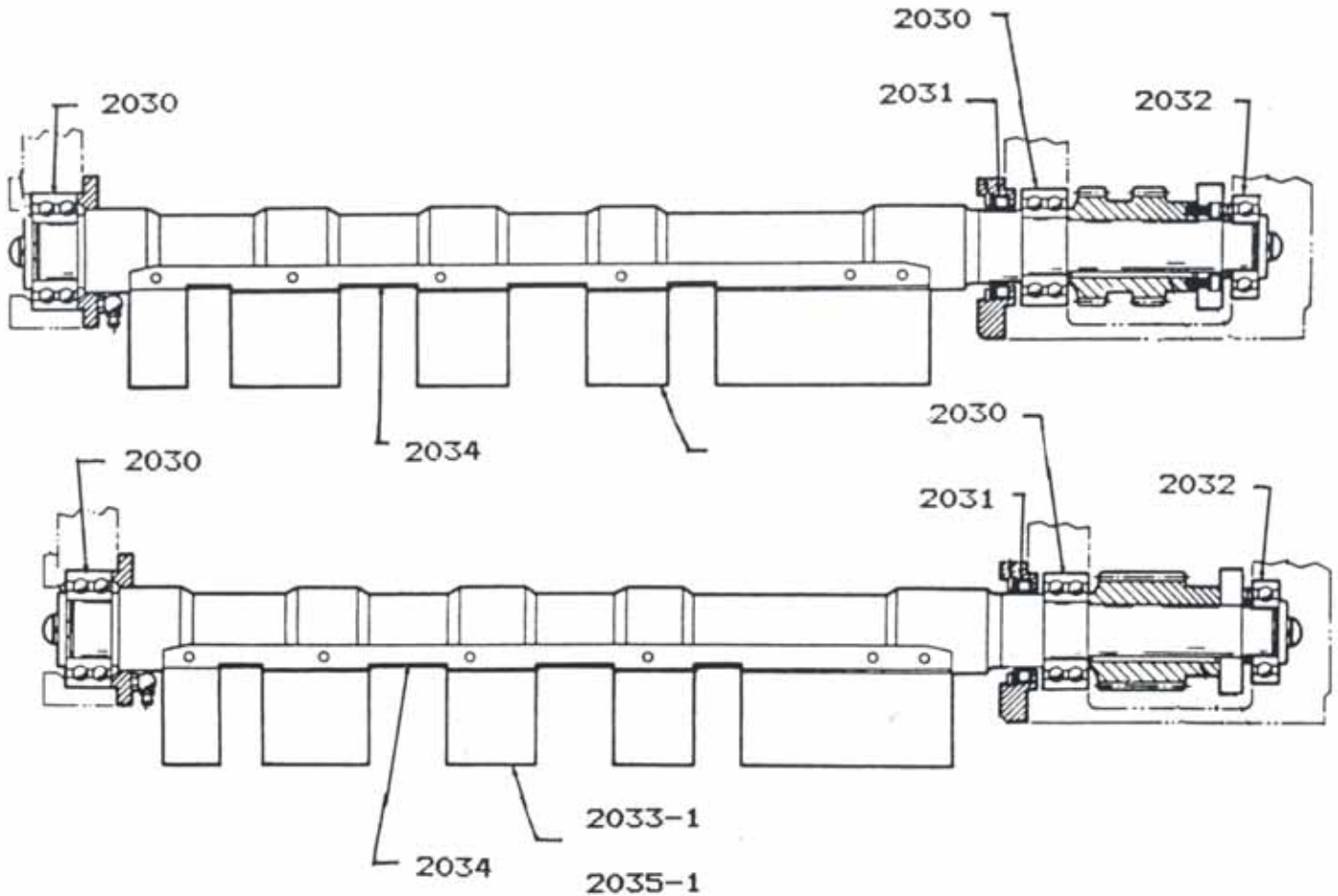
CAM FOLLOWERS • 2:1, 3:2 & REGENT

STOCK NO.	DESCRIPTION	GOSS PART NO.
1625	Cam Roller & Stud (nova chromed)	B-148421-0001
1625-1	Cam Roller & Stud	B-148421-0002
1715	Cam Roller & Stud	B-121705-0002

www.a-americanpressparts.com

Check our website for updates!

FOLDER: FOLDING CYLINDER



FOLDING BLADE SHAFT ASSEMBLY – SILENCING & NON-SILENCING • 3:2

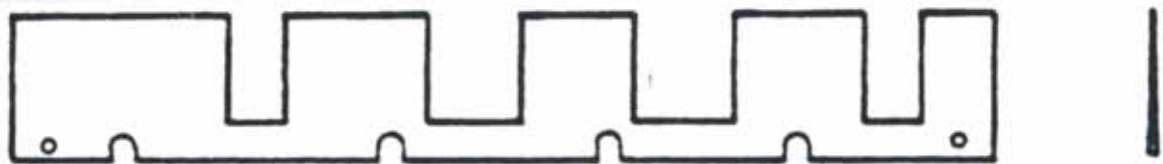
STOCK NO.	DESCRIPTION	GOSS PART NO.
2030	Bearing	C-040103-5207
2031	Seal	891500-1005
2032	Bearing	C-040100-6206
2033-1	Folding Blade (Tear Drop)	D-021554-0000
2034	Clamping Strip	B-117942-0000
2035	Folding Blade (Flat)	

FOLDER: FOLDING CYLINDER



PROFILE FOLDING BLADE • 3:2

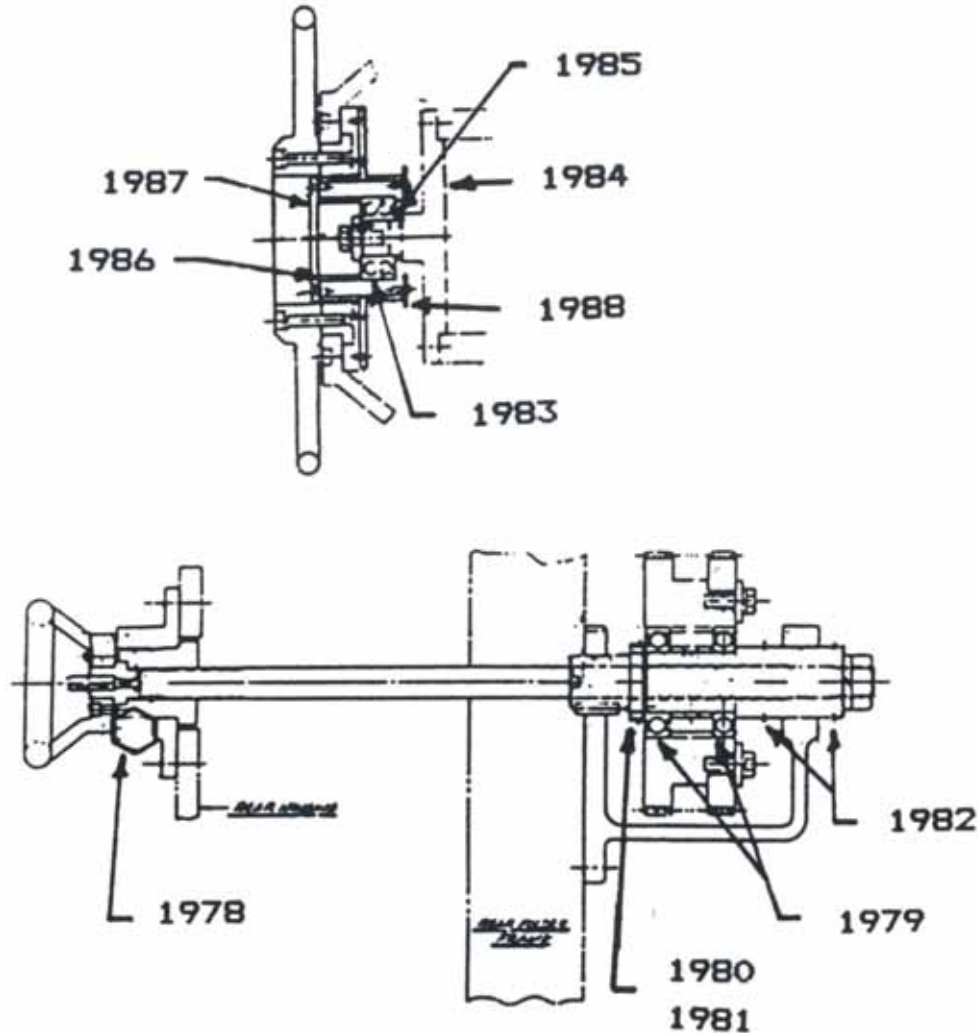
STOCK NO.	DESCRIPTION	GOSS PART NO.
1820-1	Folding Blade	D-021705-0005
1820-2	Folding Blade	D-021705-0007
1820-3	Folding Blade	D-021705-0008
1821	Folding Blade	D-035694-0001
2033-1	Folding Blade	D-021705-0001
2033-2	Folding Blade	D-021704-0003
2033-3	Folding Blade	D-021704-0005
2033-4	Folding Blade	D-021704-0007
2033-5	Folding Blade	D-021704-0009
2033-6	Folding Blade	D-021704-0013
2033-7	Folding Blade	D-021704-0022
2033-8	Folding Blade	D-021704-0100
2033-9	Folding Blade	D-021704-



FOLDING BLADE • FLAT TYPE • 2:1 & 3:2

STOCK NO.	DESCRIPTION	GOSS PART NO.
1810	Folding Blade	C-045369-0013
1811	Folding Blade	C-045369-0015
1812	Folding Blade	C-045369-0005
1812-1	Folding Blade	C-045369-0003
2025-1	Folding Blade	C-053457-0022
2025-2	Folding Blade	C-063113-0001
2096-1	Folding Blade	C-034980-0000
2096-2	Folding Blade	C-034981-0000
2096-3	Folding Blade	C-038826-0000
2096-4	Folding Blade	C-039384-0000
2096-5	Folding Blade	C-045376-0000
2096-6	Folding Blade	C-054631-0002
2096-7	Folding Blade	C-060898-0001
2096-8	Folding Blade	C-021554-0007
2096-9	Folding Blade	D-037764-0001

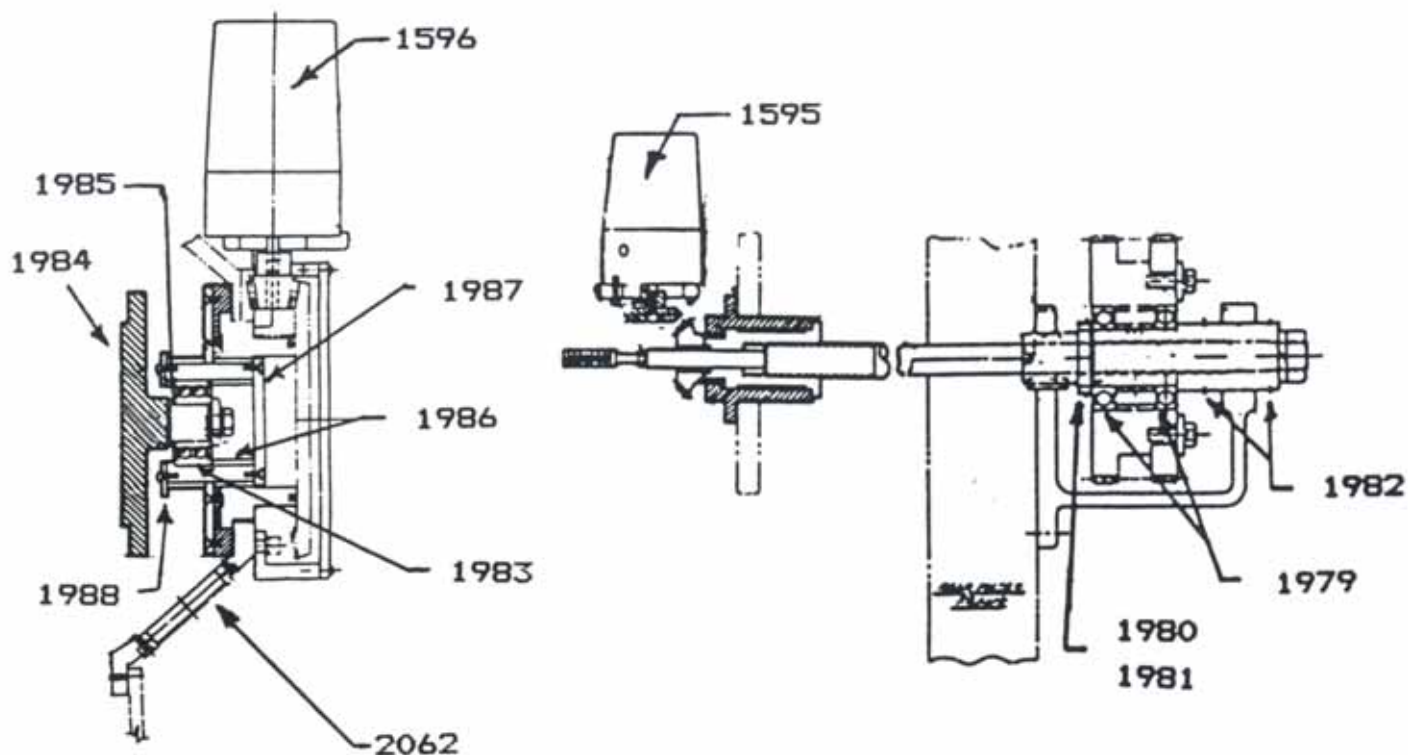
FOLDER: FOLDING CYLINDER



MANUAL PIN & LAPP SYSTEM • 3:2 FOLDER

STOCK NO.	DESCRIPTION	GOSS PART NO.
1978	Locking Screw	B-128111-0001
1979	Bearing	C-040104-6211
1980	Lock Nut	C-040123-0110
1981	Lock Washer	C-040124-0110
1982	Retaining Ring	885470-2027
1983	Bearing	722605-0286
1984	Spindle	C-080515-0000
1985	Spacer	C-040065-2502
1986	Spacer	C-040066-2433
1987	Plate	B-131314-0001
1988	Plate Stop	B-131313-0001

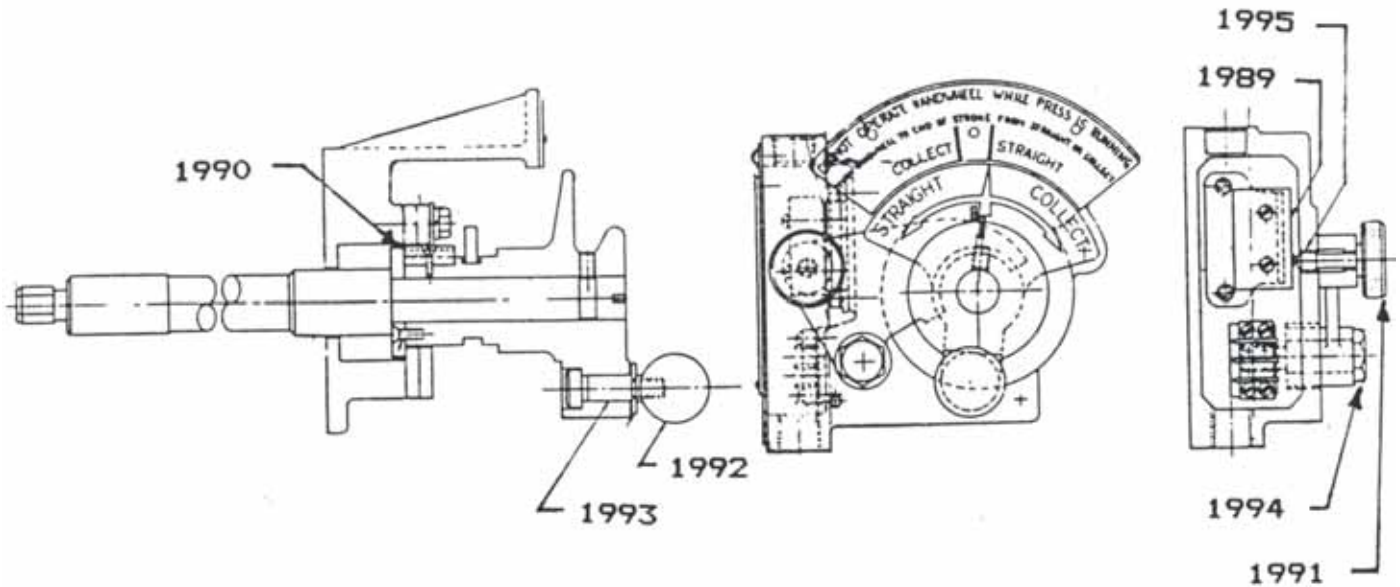
FOLDER: FOLDING CYLINDER



MOTORIZED PIN & LAPP SYSTEM • 3:2 FOLDER

STOCK NO.	DESCRIPTION	GOSS PART NO.
1595	Pin Motor	C-092252-0002
1596	Lap Motor	C-092252-0003
1979	Bearing	C-040104-6211
1980	Lock-nut	C-040123-0110
1981	Lock-washer	C-040124-0110
1982	Retaining Ring	885470-2027
1983	Bearing	722605-0286
1984	Spindle	C-080515-0000
1985	Spacer	C-040065-2502
1986	Spacer	C-040066-2433
1987	Plate	B-131314-0001
1988	Stop Plate	B-131313-0001
2062	Window	933200-0004

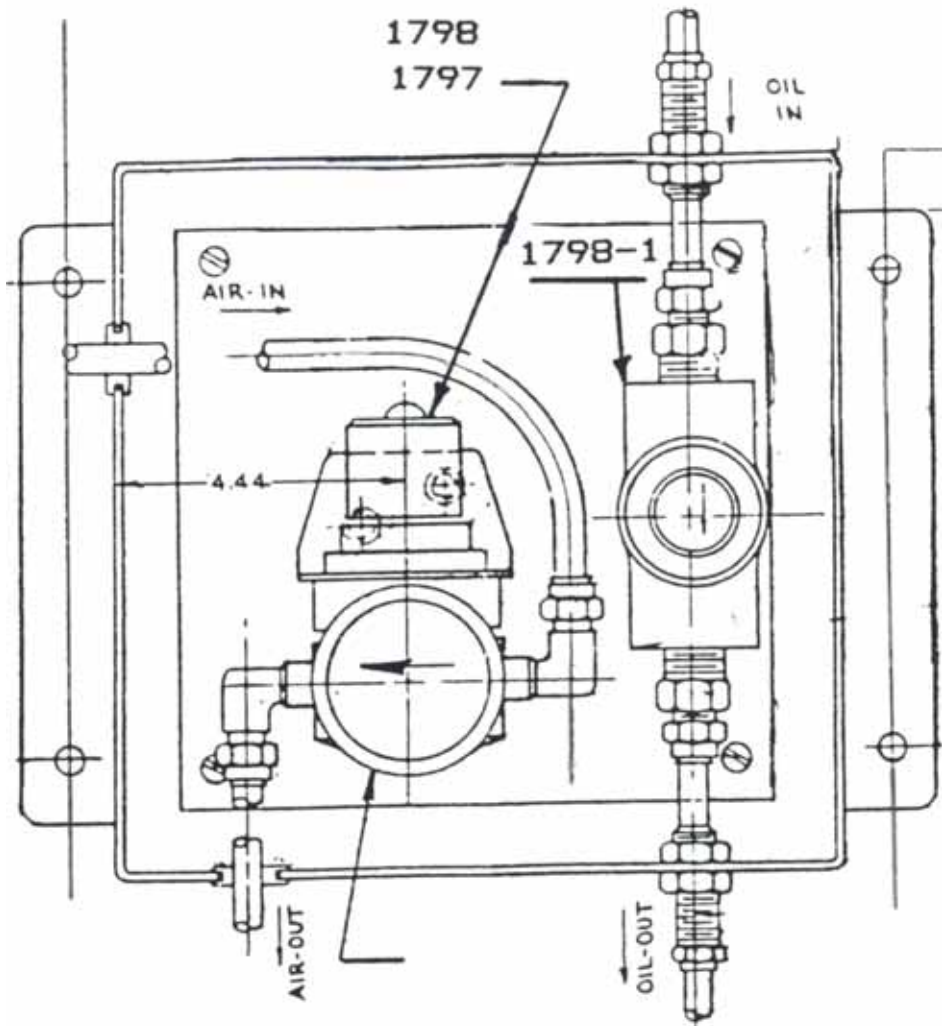
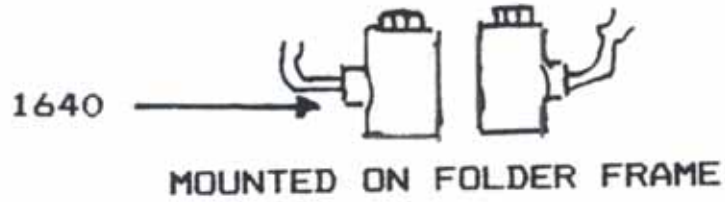
FOLDER: FOLDING CYLINDER



SPIDER WRENCH ASSEMBLY • 3:2 FOLDER

STOCK NO.	DESCRIPTION	GOSS PART NO.
1989	Switch	899751-8172
1990	Key	B-148419-0001
1991	Lockup Latch Screw	B-093080-0001
1992	Handle Ball	781500-0031
1993	Stripper Bolt	C-040131-5010
1994	Latch Pivot Stud	B-093081-0001
1995	Threaded Insert	794041-0080

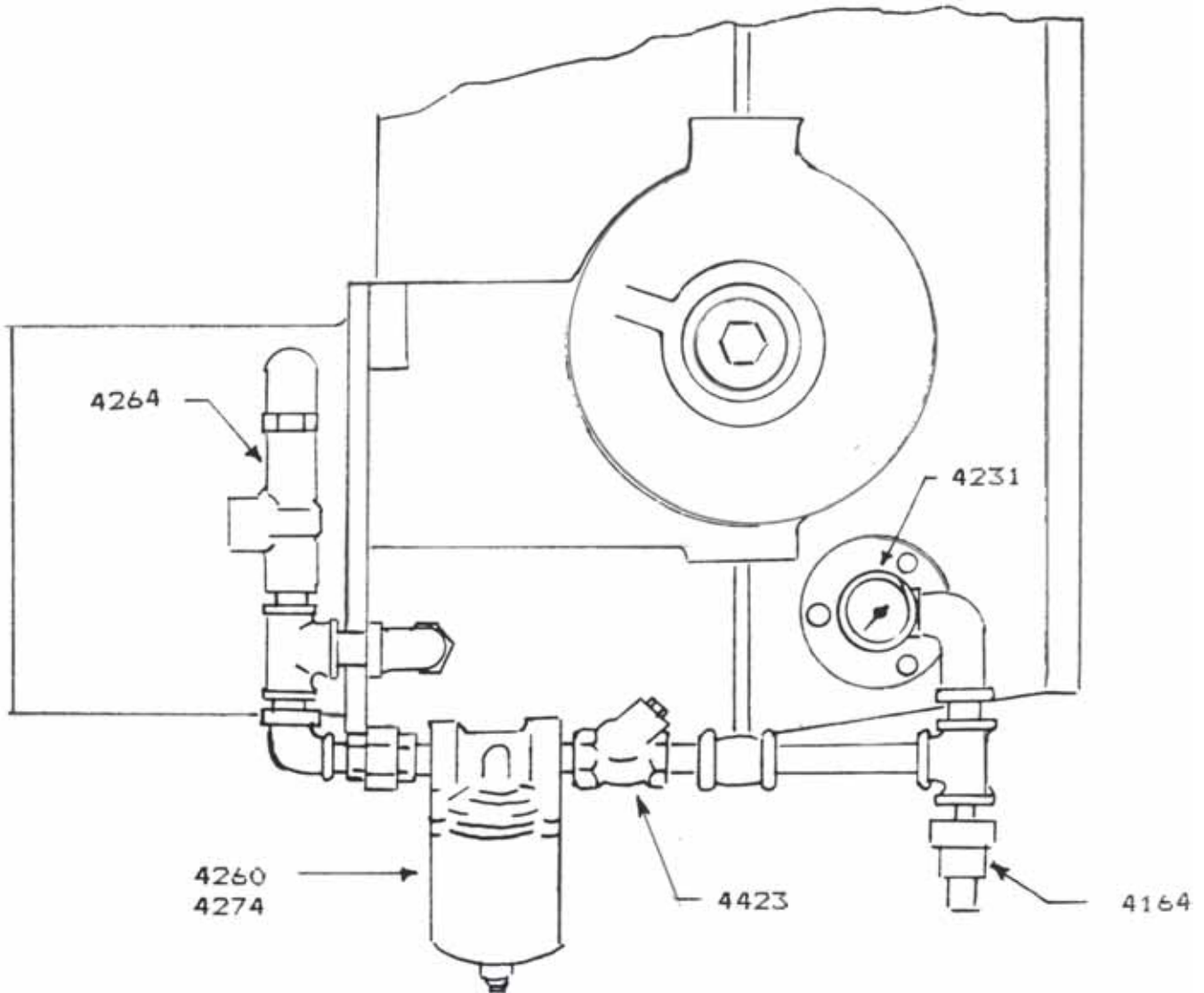
FOLDER: LUBRICATION SYSTEM



CAM LUBRICATION SYSTEM • 3:2

STOCK NO.	DESCRIPTION	GOSS PART NO.
1640	Solenoid	920571-0023
1797	Regulator	882704-0021
1798	Filter	762948-0200
1798-1	Filter Cartridge for # 1798	

FOLDER: LUBRICATION SYSTEM



MAIN DRIVE BOX • METRO-LINER

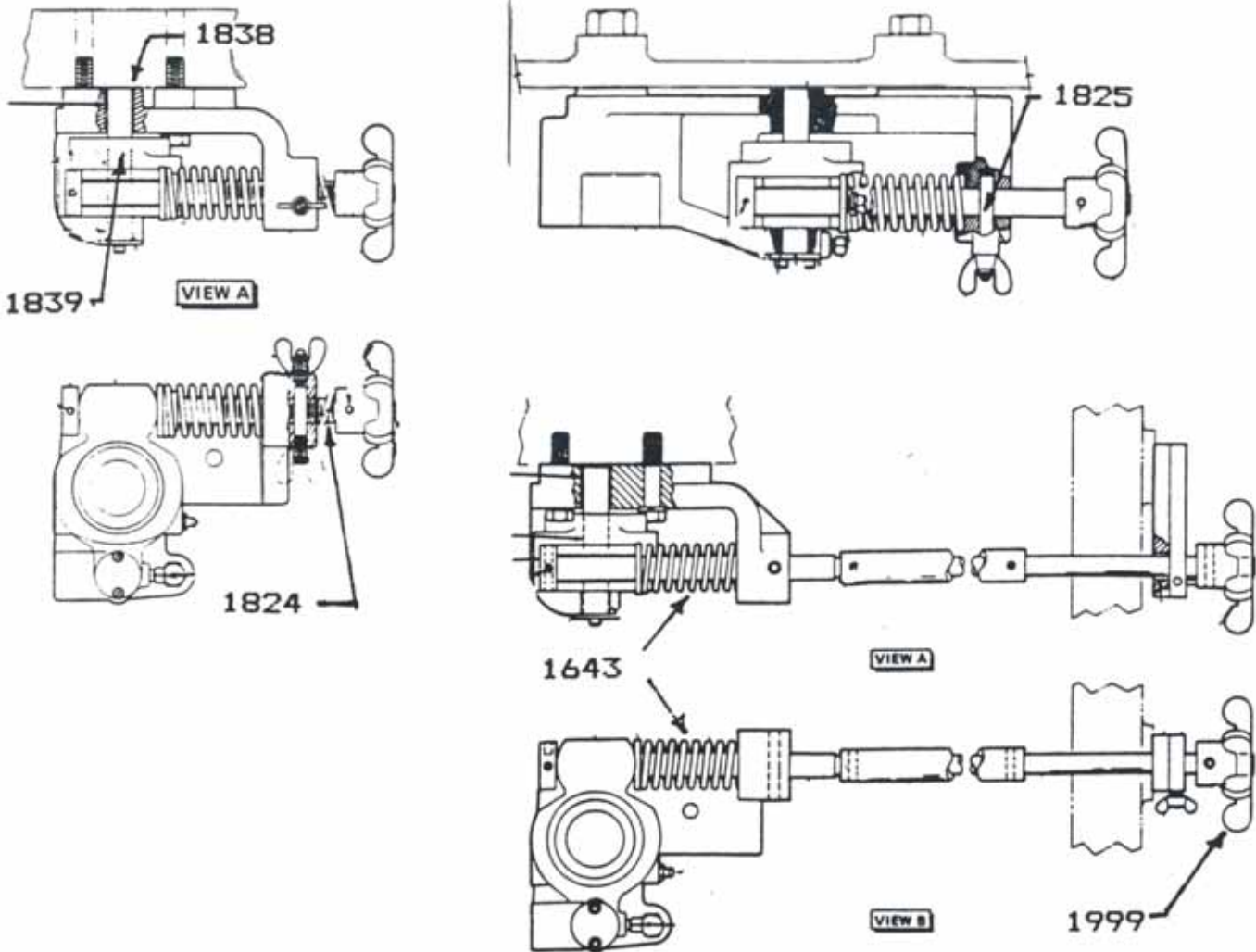
STOCK NO.	DESCRIPTION	GOSS PART NO.
4231	Pressure Gage	774500-0500
4260	Filter	762948-0081
4264	Relief Valve	920567-0014
4274	Filter Element	
4164	Pressure Switch (0-6 lbs.)	
4423	Checkvalve	920509-0005



1-888-434-0888
TOLL FREE

FOLDER: NOTES

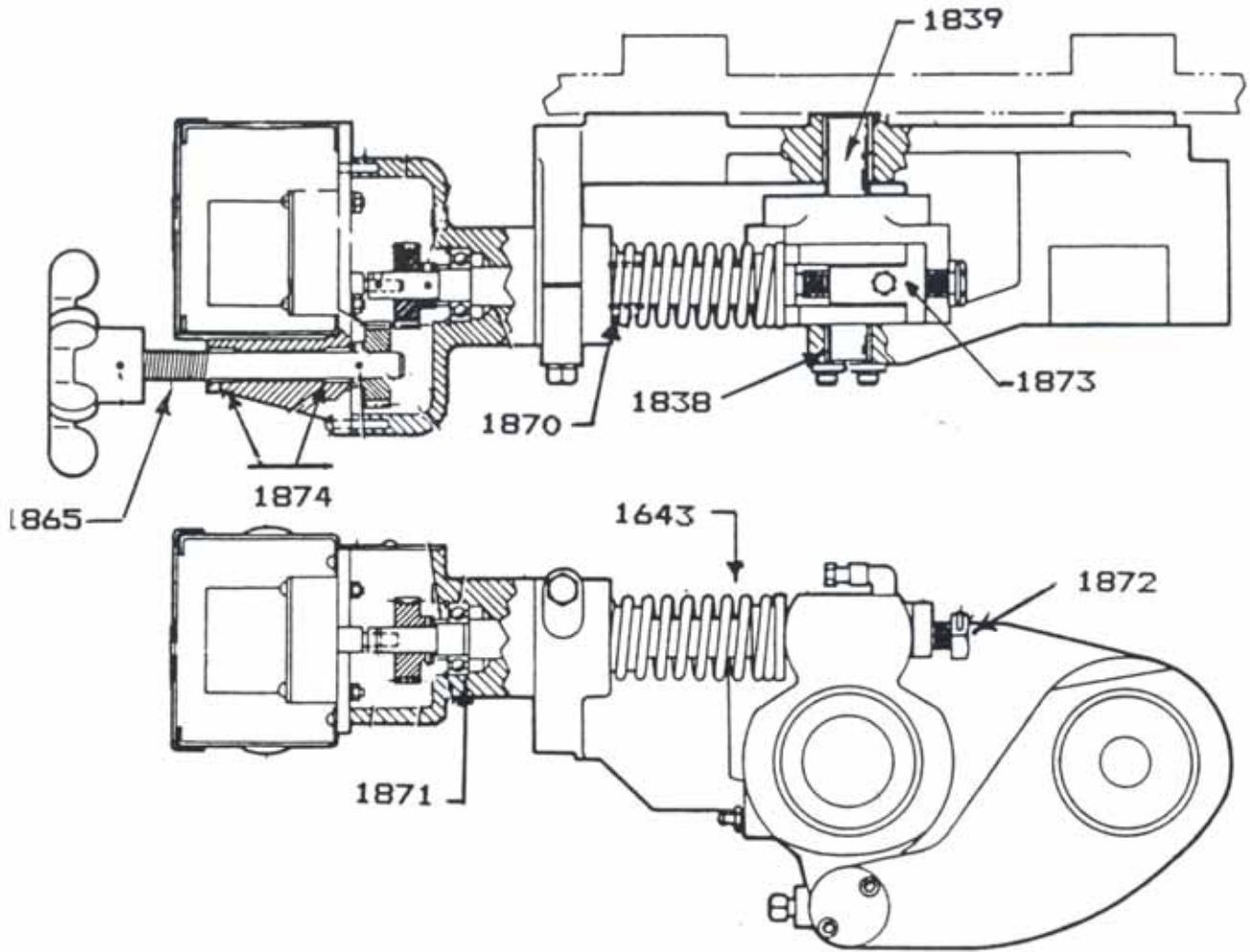
FOLDER: NIPPING SYSTEM



FOLDER NIPPING ROLLER ASSEMBLY • MANUAL NIPS • 2:1 & 3:2

STOCK NO.	DESCRIPTION	GOSS PART NO.
1643	Spring	A-005083-0001
1824	Adjusting Rod Lever	A-005084-0002
1825	Lockup Stud	A-007776-0001
1838	Bearing	729457-0177
1839	Stud	A-010465-0001
1999	Handwheel	B-033155-0000
2199	Collar for Spring	

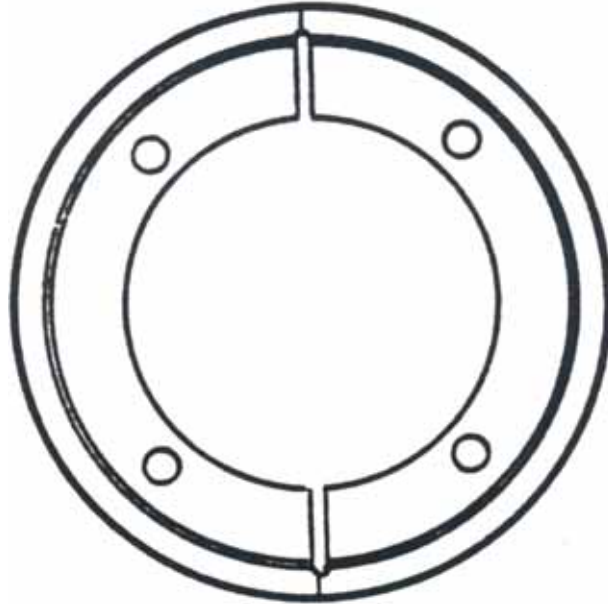
FOLDER: NIPPING SYSTEM



ELECTRICAL NIPPING SYSTEM • 2:1 & 3:2

STOCK NO.	DESCRIPTION	GOSS PART NO.
1643	Springs	A-005083-0001
1838	Bushings	729457-0177
1839	Nip Roller Bracket Stud	A-010465-0001
1865	Spring	897009-4901
1870	Bearing	729457-0176
1871	Bearing	C-040104-6202
1872	Adjusting Shaft	B-149384-0001
1873	Adjusting Nut	B-149372-0001
1874	Sint. Bronze Bearing	C-040075-1104

FOLDER: NIPPING SYSTEM



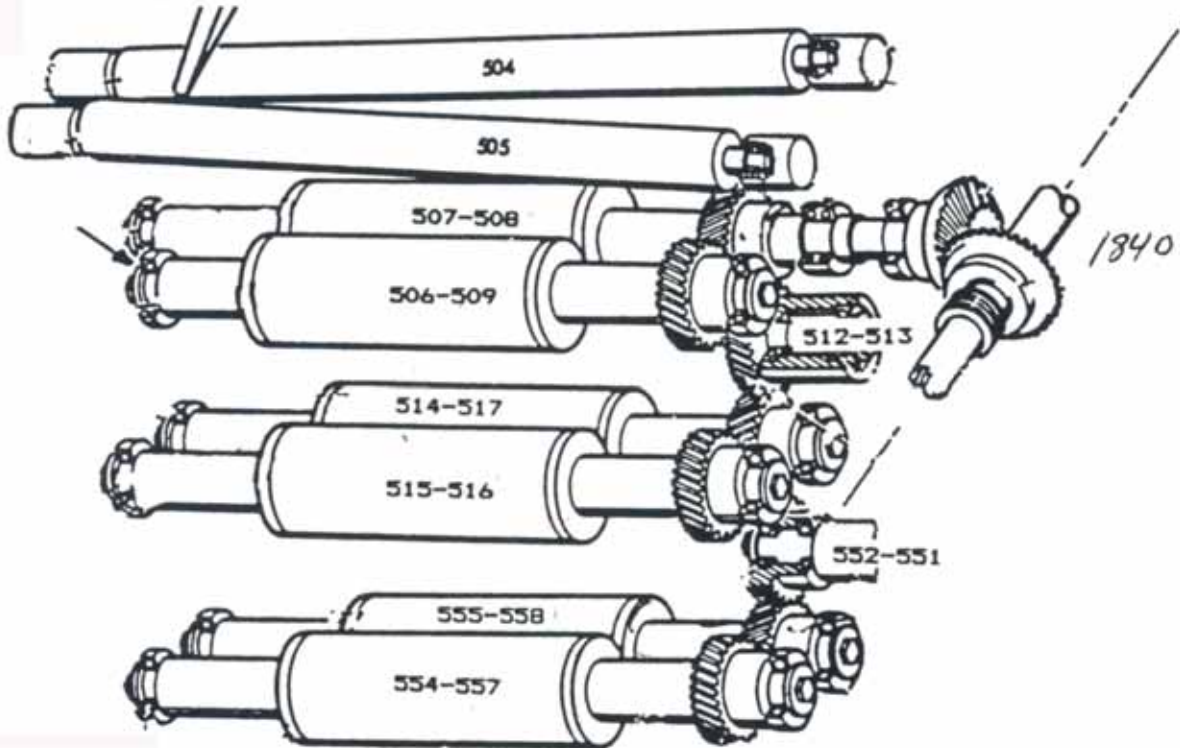
NIPPING RINGS • 2:1 & 3:2

STOCK NO.	DESCRIPTION	GOSS PART NO.
2056	Nip ring - 4.430 OD	C-010116-0001
2057	Nip ring - 4.458 OD	C-010116-0002
2069	Nip ring - 4.9764	C-085212-0004
2574-001	Nip ring - 4.478 OD	C-113639-0001
2575-001	Nip ring - 6.128 OD	C-113638-0001
2347	Nip ring - 4.552 OD	C-122178-0001
2347-002	Nip ring - 4.539 OD	C-122178-0002
2347-003	Nip ring - 4.578 OD	C-122178-0003
2348	Nip ring - 6.2078 OD	D-048395-0001
2348-002	Nip ring - 6.118 OD	D-048395-0002
1788	Nip ring - 4.440 OD	C-085210-0001
1538	Nip ring - 4.451 OD	C-085210-0004
1789	Nip ring	C-085210-0005
1542	Nip ring - 5.562 OD	C-085210-0006
1557	Nip ring - 4.478 OD	C-085210-0007
1540	Nip ring - 4.505 OD	C-085210-0010
1653	Nip ring - 6.157 OD	C-085211-0005
1558	Nip ring - 6.120 OD	C-085211-0007

**** ALL SIZE NIP RINGS AVAILABLE ****

***** ALL AVAILABLE CHROMED *****

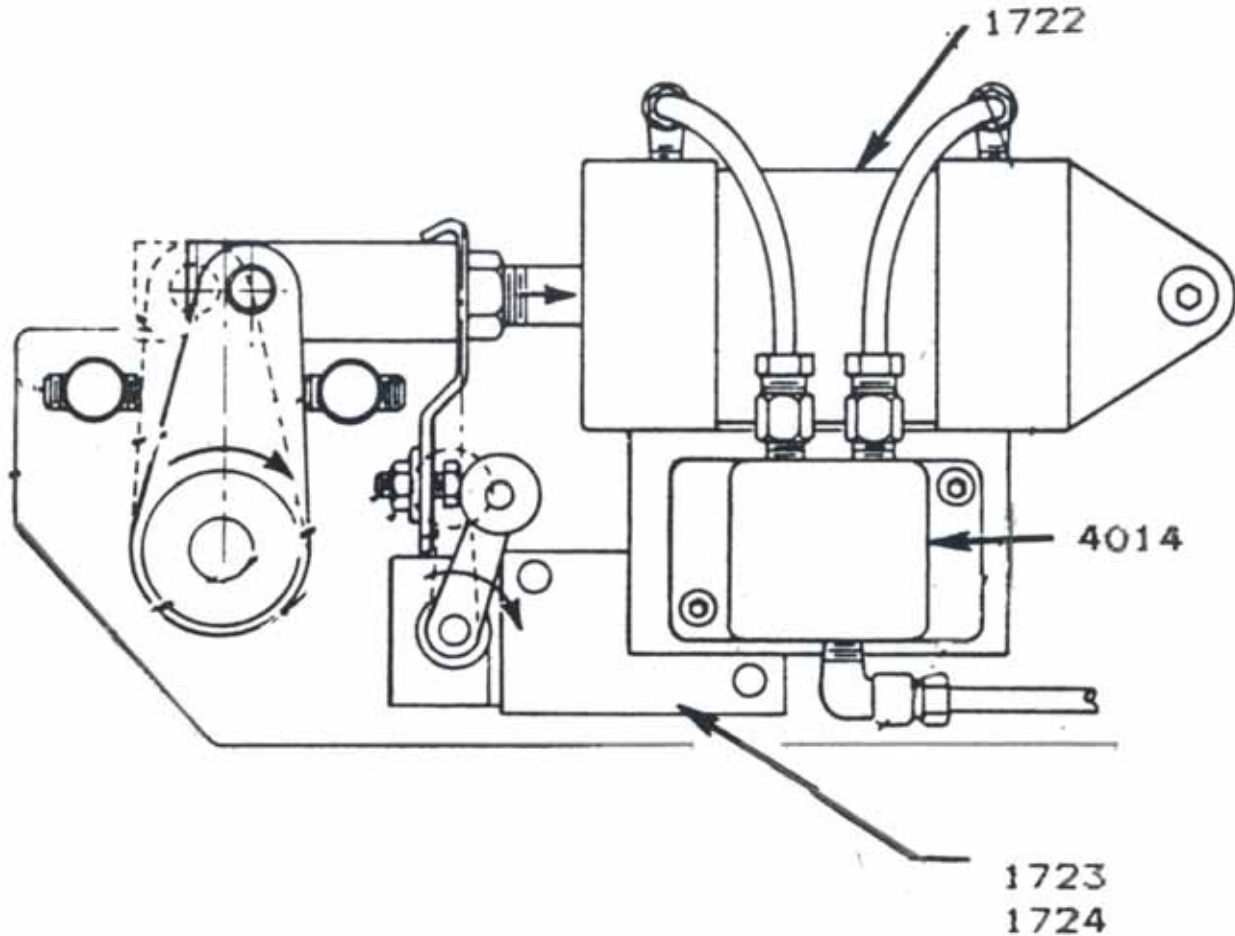
FOLDER: NIPPING SYSTEM



NIP DRIVE GEARS & SHAFT • 3:2

STOCK NO.	DESCRIPTION	GOSS PART NO.
2059	Nip Shaft - CTR 506-509-514-517 554-555-557-558	C-034311-0001
2127	Nip Shaft - CTR 515-516	C-079037-0001
2128	Nip Shaft - CTR 507-508	C-087609-0001
2106	Nip Gear - CTR 507-509 515-517-557	B-061634-0001
2107	Nip Gear - CTR 506-508 514-516-554	B-061635-0001
2129	Nip Gear - CTR 512	C-099359-0001
2130	Nip Gear - CTR 513	C-099358-0001
2131	Nip Gear - CTR 552	C-099397-0001
2132	Nip Gear - CTR 551	C-099398-0001
2133	Nip Gear - CTR 558	C-096942-0001
2134	Nip Gear - CTR 555	C-063007-0001
2126	Bearing - CTR 506-9-14-15-16-17 555-558	722605-0565
4453	Bearing - CTR 552-551-512-513	722605-0292
1840	Nip Drive Gear Set	D-029299-0003

FOLDER: PNEUMATIC SYSTEM



PNEUMATIC FOLDER CLUTCH

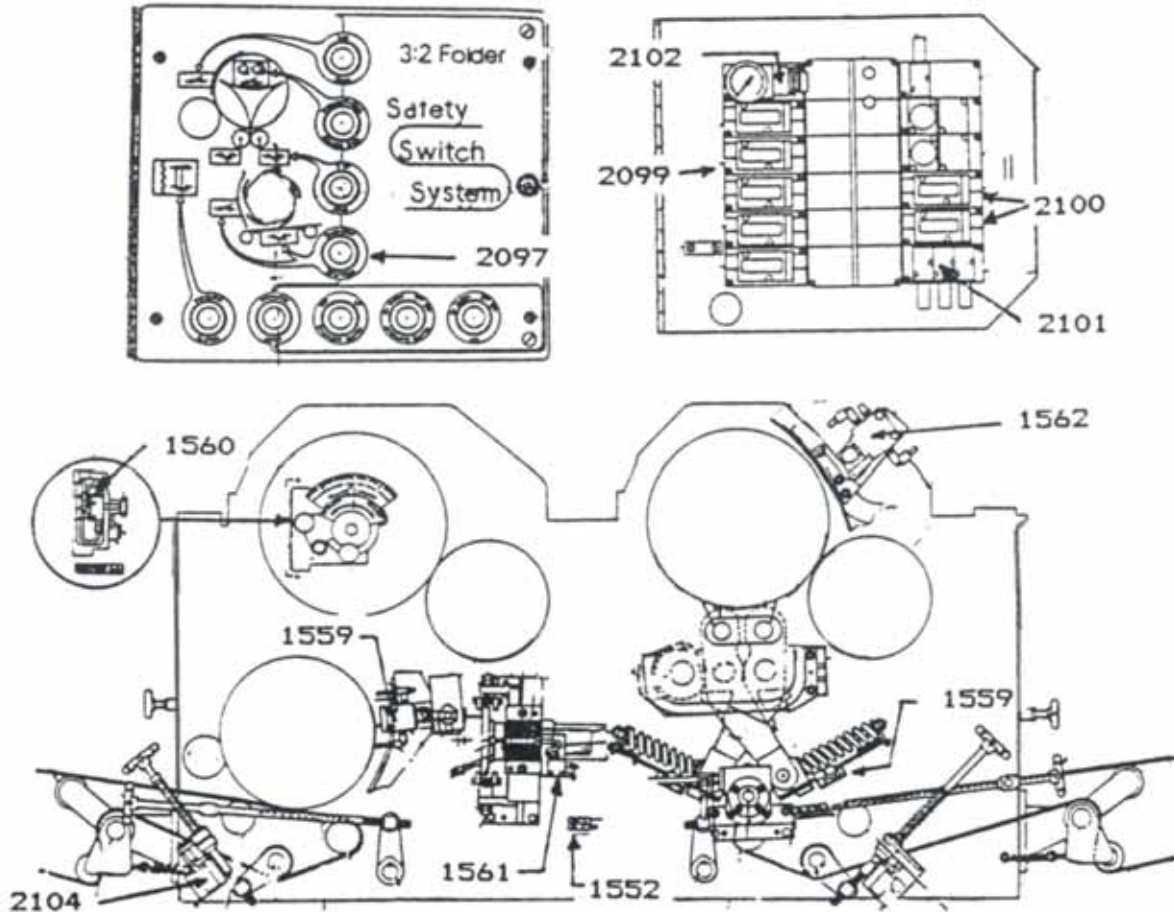
STOCK NO.	DESCRIPTION	GOSS PART NO.
1722	Air Cylinder	B-116658-0006
1723 *	Limit Switch	899751-8235
1724 +	Limit Switch	899751-8354
4014	Solenoid	B-117295-0001

* PRE PRESS NO. 3177
 + POST PRESS NO. 3177

www.a-americanpressparts.com

Check our website for updates!

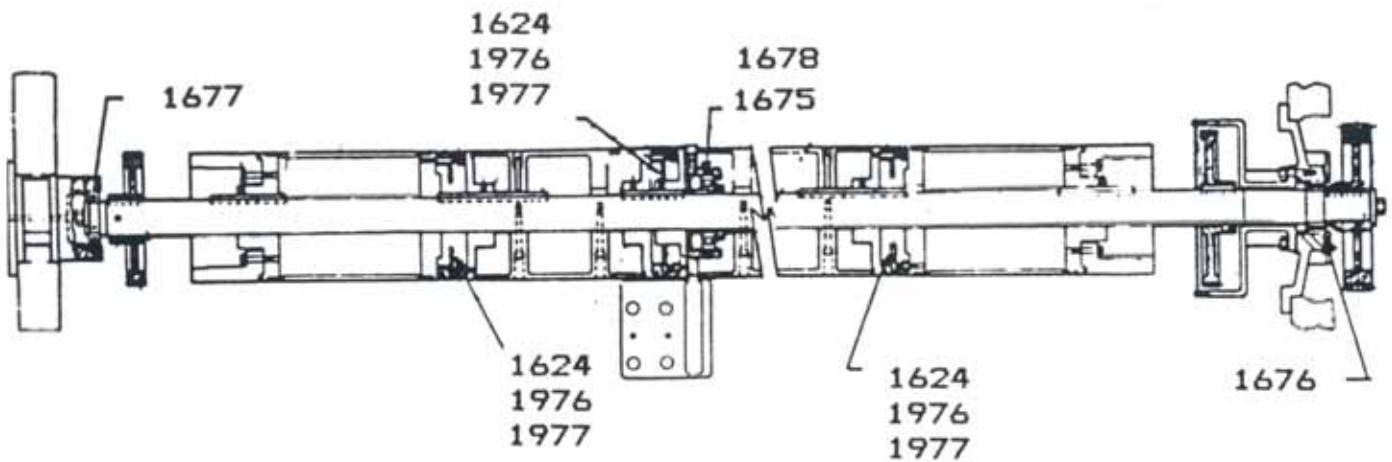
FOLDER: PNEUMATIC SYSTEM



PNEUMATIC SAFETY SYSTEM • 3:2 FOLDER • METRO-LINER

STOCK NO.	DESCRIPTION	GOSS PART NO.
1552	Relay Valve	920512-0071
1559	Backstop Valve (Safety Switch)	920512-0061
1559	Folding Roller Valve (Safety Switch)	920512-0061
1560	Changeover Valve	920512-0065
1561	Overload Valve	920512-0081
1562	Cam Door Valve	920512-0080
2097	Indicator	792000-0203
2098	Pressure Switch	899765-0000
2099	Relay Valve	920502-0076
2100	Relay Valve	920502-0075
2101	Air Shuttle Valve	920502-0068
2102	Regulator	882705-0005
2103	Air Filter	762901-0201
2104	Choke Release Valve	920512-0066

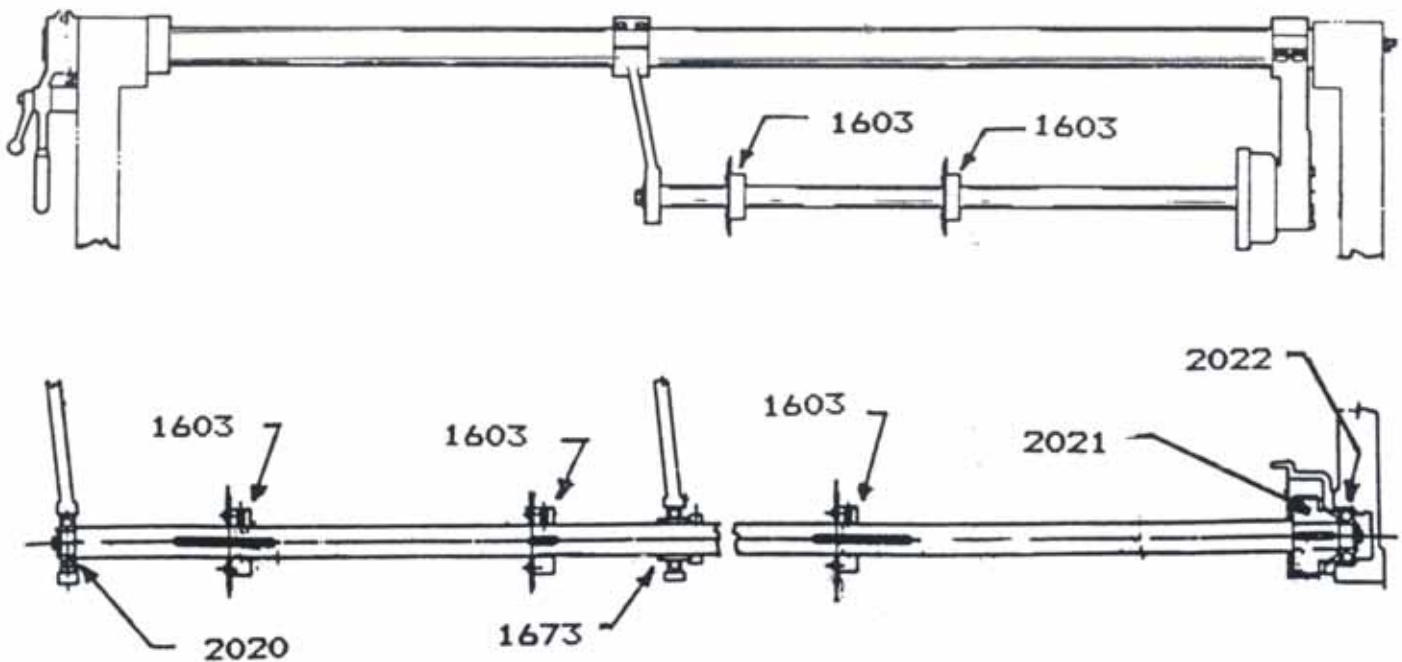
FOLDER: ROLLER TOP OF FORMER



ROLLER TOP OF FORMER (RTF) 2:1 & 3:2 FOLDER

STOCK NO.	DESCRIPTION	GOSS PART NO.
1513	Slitter Scraper	A-008158-0001
1565	Tab Slitter Bracket	B-142471-0001
1624	Slitter Anvil	B-138454-0001
1674	Center Slitter Bracket	B-108282-0001
1675	Bearing	C-040120-0215
1676	Bearing	C-040108-5211
1677	Bearing	C-040102-6211
1678	Adapter	C-040122-1524
1976	Slitter Anvil	B-108331-0001
1977	Slitter Anvil	C-094665-0001

FOLDER: SLITTER SYSTEM

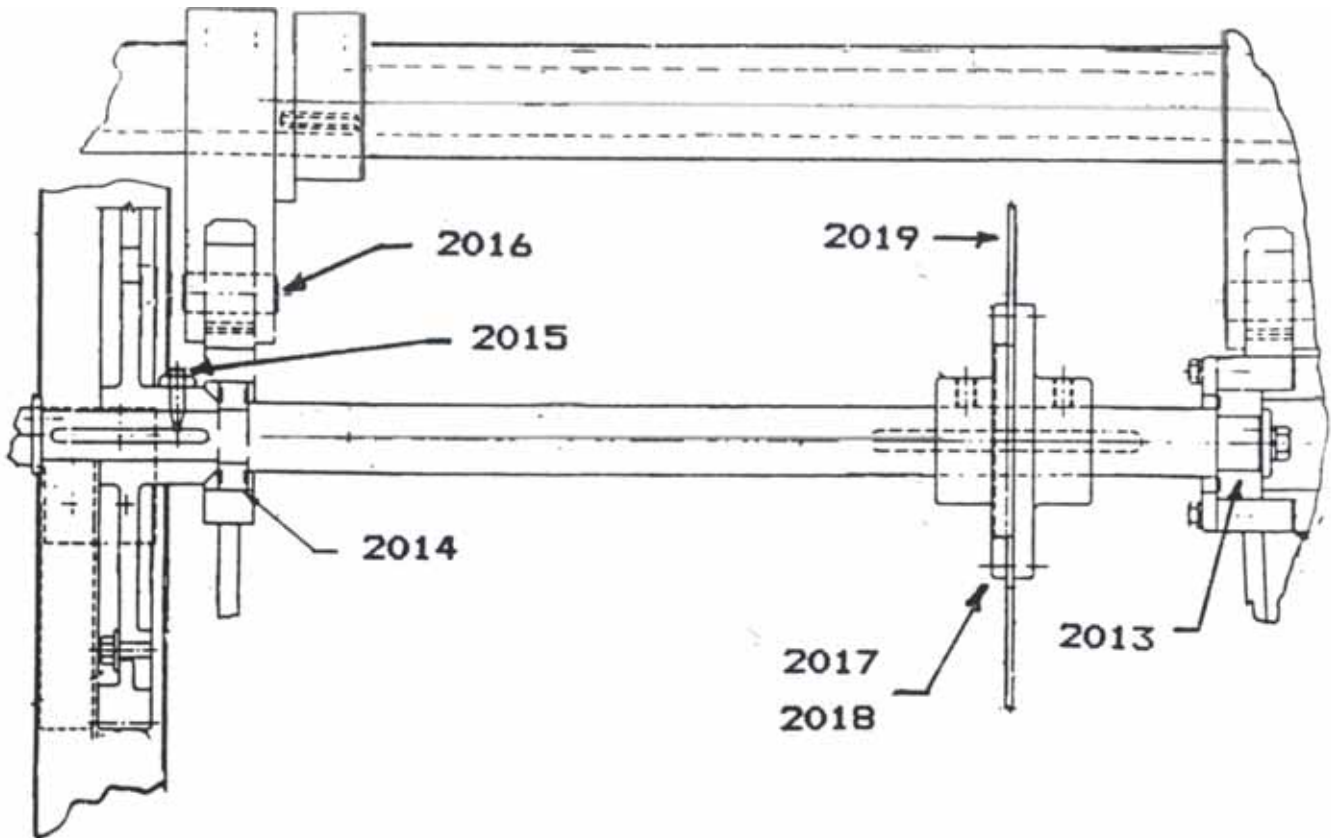


SLITTER SHAFT & DRIVE • NEW STYLE/ WITH PNEU TROLLEY

STOCK NO.	DESCRIPTION	GOSS PART NO.
1603	Slitter Hub	B-139222-0001
1673	Bearing	722605-0019
2020	Bearing	C-040105-6306
2021	Gear	C-064749-0001
2022	Bearing	C-040103-6306

www.a-americanpressparts.com
 Check our website for updates!

FOLDER: : SLITTER SYSTEM



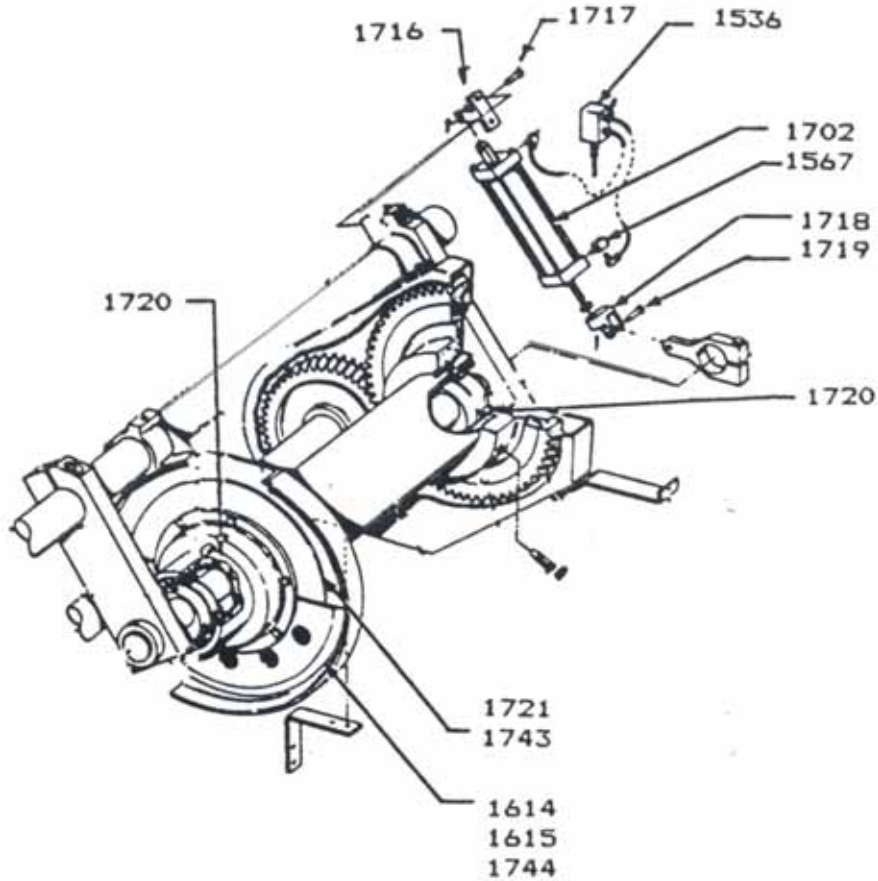
MANUAL SKIP SLITTER

STOCK NO.	DESCRIPTION	GOSS PART NO.
2013	Bearing	722605-0167
2014	Bearing	722605-0565
2015	Lock Screw	AR-001267-0001
2016	Pin	A-011051-0001
2017	Split Plate	B-130781-0001
2018	Plate (One Piece)	B-113072-0001
2019	Filler	B-113110-0001

www.a-americanpressparts.com

Check our website for updates!

FOLDER: PNEUMATIC SYSTEM



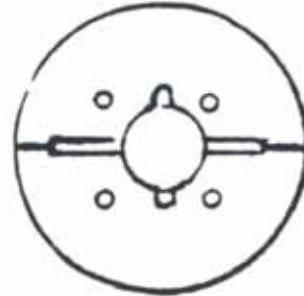
PNEUMATIC SKIP SLITTER ASSEMBLY • 2:1

STOCK NO.	DESCRIPTION	GOSS PART NO.
1536	Air Switch	899700-8114
1567	Flow Control Switch	920520-0030
1614 *	Skip Slitter	C-088221-0001
1615 *	Skip Slitter	B-138030-0001
1702	Air Cylinder	739902-0131
1716	Clevis Bracket	B-139779-0001
1717	Clevis Pin	863308-2512
1718	Clevis	B-139778-0001
1719	Clevis Pin	863308-5014
1720	Bearing	722605-0617
1721 *	Filler Segment	B-138031-0001
1743 +	Filler Segment	B-139431-0001
1744 +	Skip Slitter	C-088697-0001

* 13-11/16" to 14-1/2" PRESS

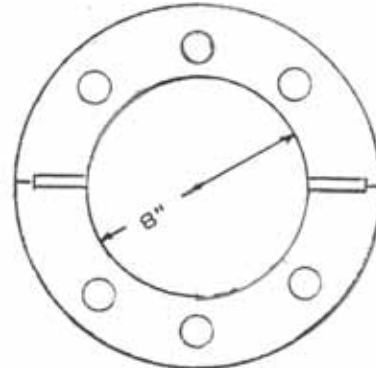
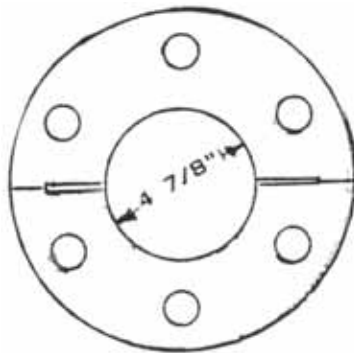
+ 15" PRESS

FOLDER: SLITTER SYSTEM



ROLLER TOP OF FORMER SLITTERS

STOCK NO.	DESCRIPTION	GOSS PART NO.
1528	Split Slitter - 5.718 Dia.	B-112217-0001
1514	Split Slitter - 5.750 Dia.	B-139223-0001
1523	Split Slitter - 5.843 Dia.	B-146967-0001
1523-00T	Split Slitter - 5.843 Dia. (Tin Coated)	
1662	Split Slitter - 5.840 Dia.	B-112217-0003
1681	Split Slitter - 5.750 Dia.	B-128909-0001

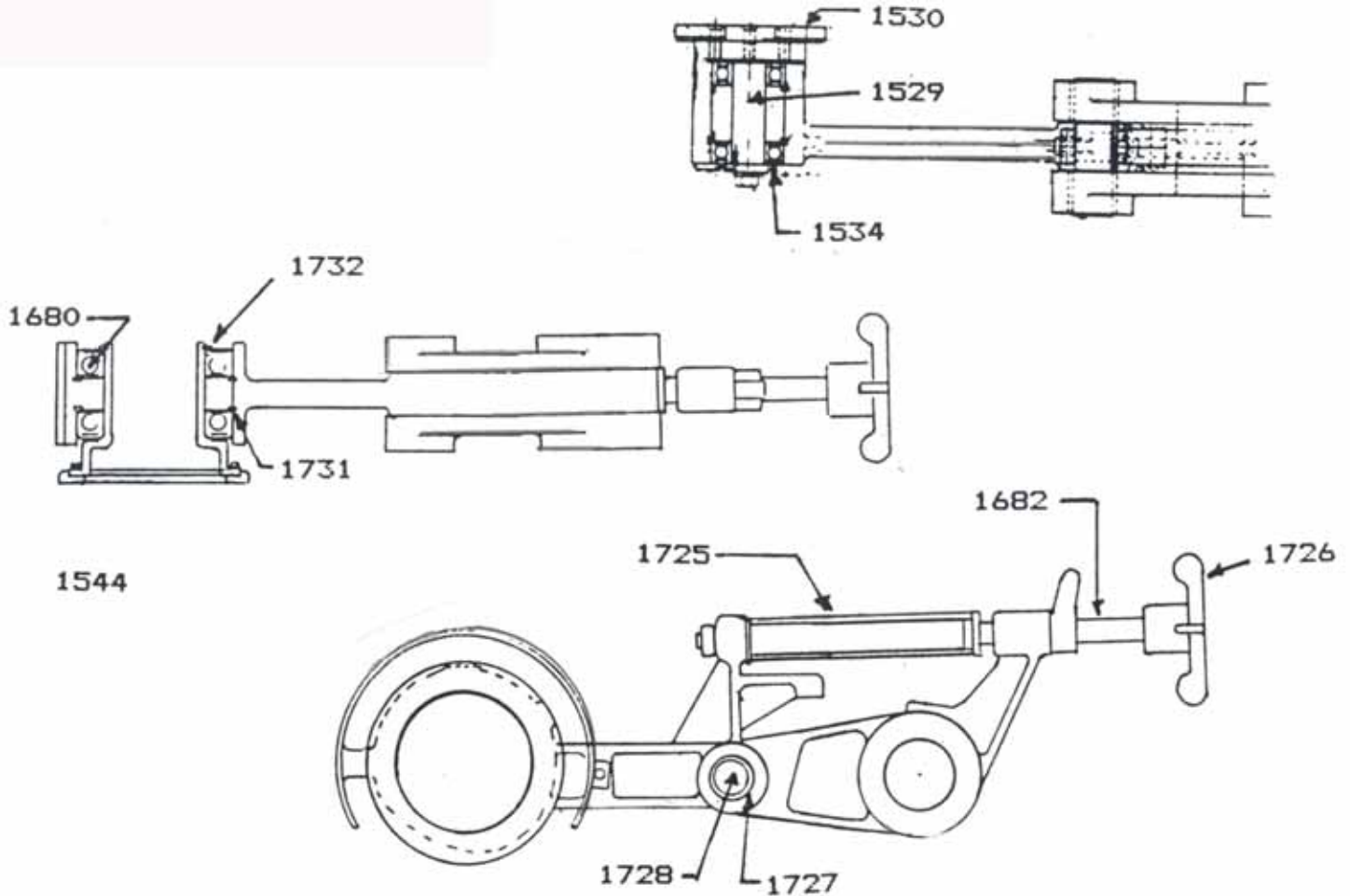


SKIP SLITTERS

STOCK NO.	DESCRIPTION	GOSS PART NO.
20004	Skip Slitter - 15"Dia.	B-080273-0001
1526	Skip Slitter - 15"Dia.	B-113071-0001
1614	Skip Slitter - 15"Dia.	C-088221-0001
1615	Skip Slitter - 15"Dia.	B-138030-0001
1602	Skip Slitter - 15-1/2" Dia. x 6-1/4"	B-078925-0001
	Skip Slitter - 15-1/2" Dia.	B-088697-0001
	Skip Slitter - 15-1/2" Dia. x 4-7/8"	B-117321-0001
1550	Skip Slitter - 15-1/2" Dia. x 8"	C-088222-0001
1770	Skip Slitter - 15-1/2" Dia. x 8"	C-088697-0001
1794	Skip Slitter - 15-1/2" Dia. x 4.875	B-118349-0001
1543	Skip Slitter - 16" Dia.	

**** ALL SLITTERS CAN BE MFG, TO CUSTOMER'S SPECIFICATIONS ****

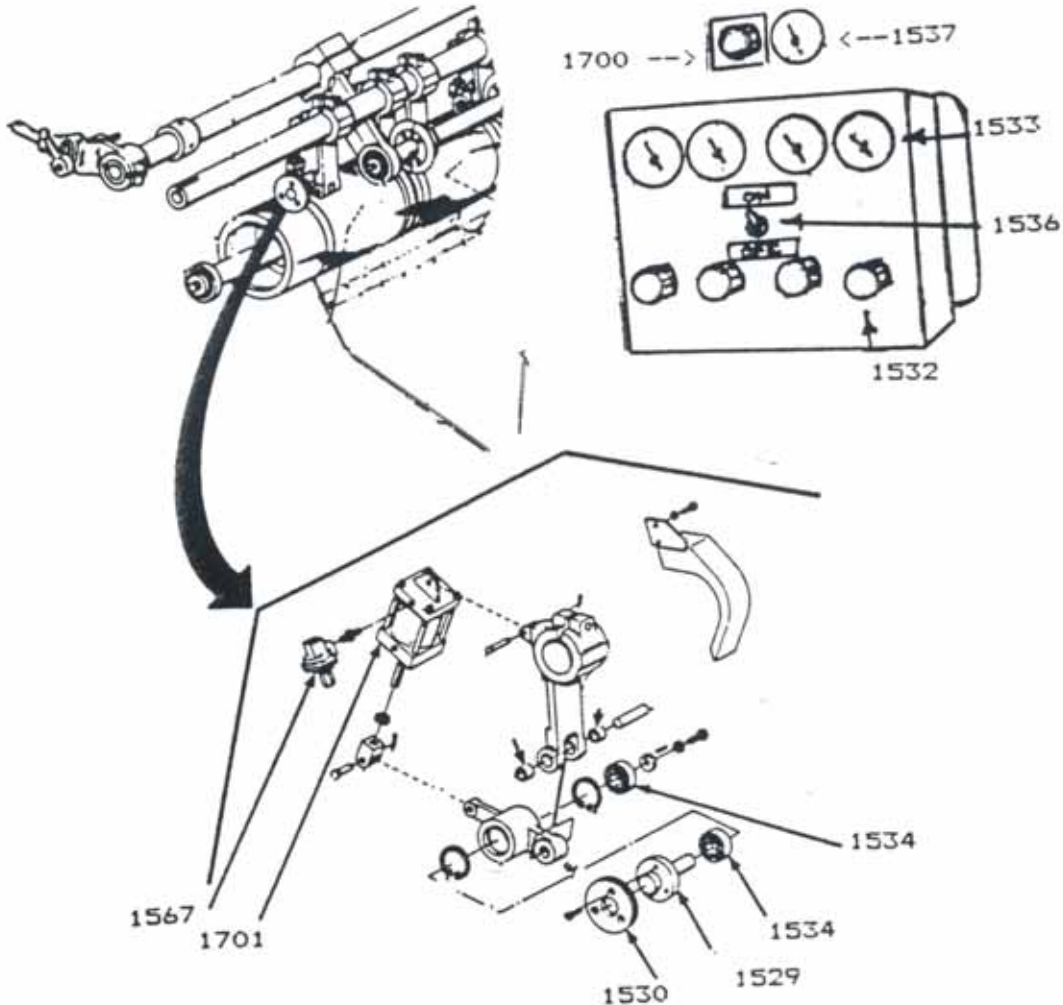
FOLDER: TROLLEY SYSTEM



RTF MANUAL TROLLEY • 2:1 & 3:2

STOCK NO.	DESCRIPTION	GOSS PART NO.
1529	Spindle	B-069354-0001
1530	Solid Brass Trolley	B-069353-0001
1534	Bearing	C-040104-6204
1544	Split Brass Trolley	B-115904-0001
1680	Bearing	722605-0235
1682	Adjusting Screw	B-079758-0001
1725	Spring	B-032246-0001
1726	Handwheel	B33195-0018-89
1727	Bushing	729405-6061
1728	Pin	B-097531-0001
1731	Spirolox Inner Ring	885470-0104
1732	Spirolox Outer Ring	885470-0152

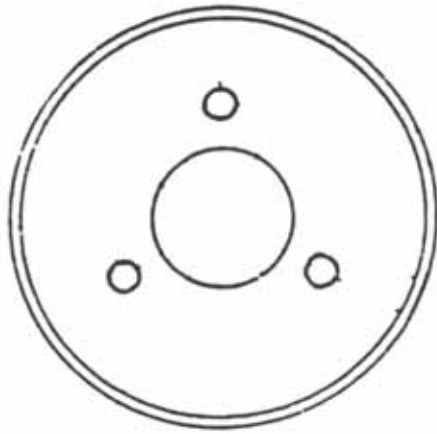
FOLDER: PNEUMATIC SYSTEM



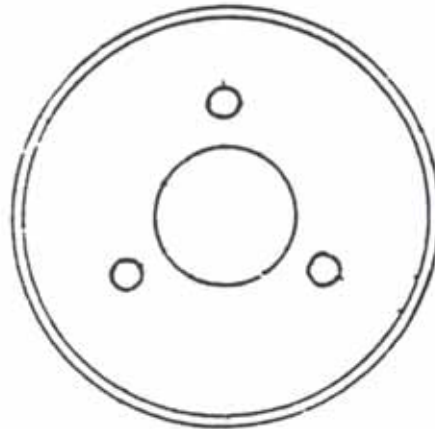
PNEUMATIC TROLLY ASSEMBLY • 2:1 & 3:2

STOCK NO.	DESCRIPTION	GOSS PART NO.
1529	Trolley Spindle	B-069354-0001
1530	Trolley	B-069353-0001
1531	Oilite Bearing	C-040075-1606
1532	Regulator	882704-0046
1533	Gage	B-147222-0001
1534	Bearing	C-040104-6204
1536	Switch	089900-8114
1537	Back Pressure Gage	771529-0311
1567	Control Valve	920520-0030
1700	Back Pressure Regulator	882704-0047
1701	Air Cylinder	739902-0014

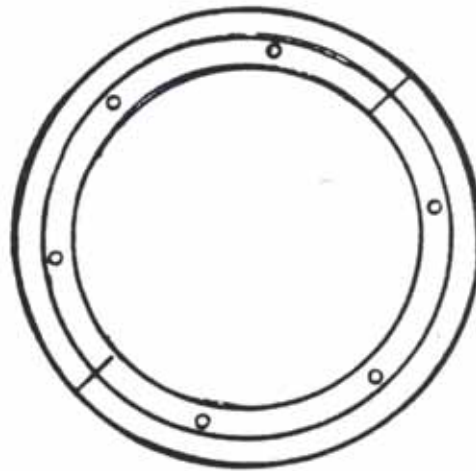
FOLDER: TROLLEY SYSTEM



1530 - 1652



1858 - 1919



1544



TROLLIES • 2:1, 3:2 & REGENT

STOCK NO.	DESCRIPTION	GOSS PART NO.
1530	Solid Bronze Trolley - 2:1 & 3:2	B-069353-0001
1544	Split Bronze Trolley - 2:1 & 3:2	B-115904-0001
1652	Solid Bronze Trolley - Regent	B-155199-0001
1858	Plastic Trolley - Regent	B-148492-0001
1919	Plastic Trolley - 2:1 & 3:2	



1-888-434-0888
TOLL FREE

FOLDER: ELECTRICAL SYSTEM

TACHOMETER & GENERATOR • 2:1 & 3:2

STOCK NO.	DESCRIPTION	GOSS PART NO.
1613-1	Tach Generator	722800-8014
1613-2	Tach Generator	722800-8015
1613-000	Tachometer	C-072790-0001
1613-004	Tachometer	C-086219-0000
1613-5	Tachometer	C-091424-0000
1613-6	Tachometer - Rebuilt	C-072790-0001
1613-7	Tach Generator Gear	B-079065-0001
1613-8	Glass Cover	
2063	Speed Control Indicator - 0-75 pph for 160 Page Green Streak Folder	

www.a-americanpressparts.com

Check our website for updates!



1-888-434-0888
TOLL FREE

FOLDER: ELECTRICAL SYSTEM

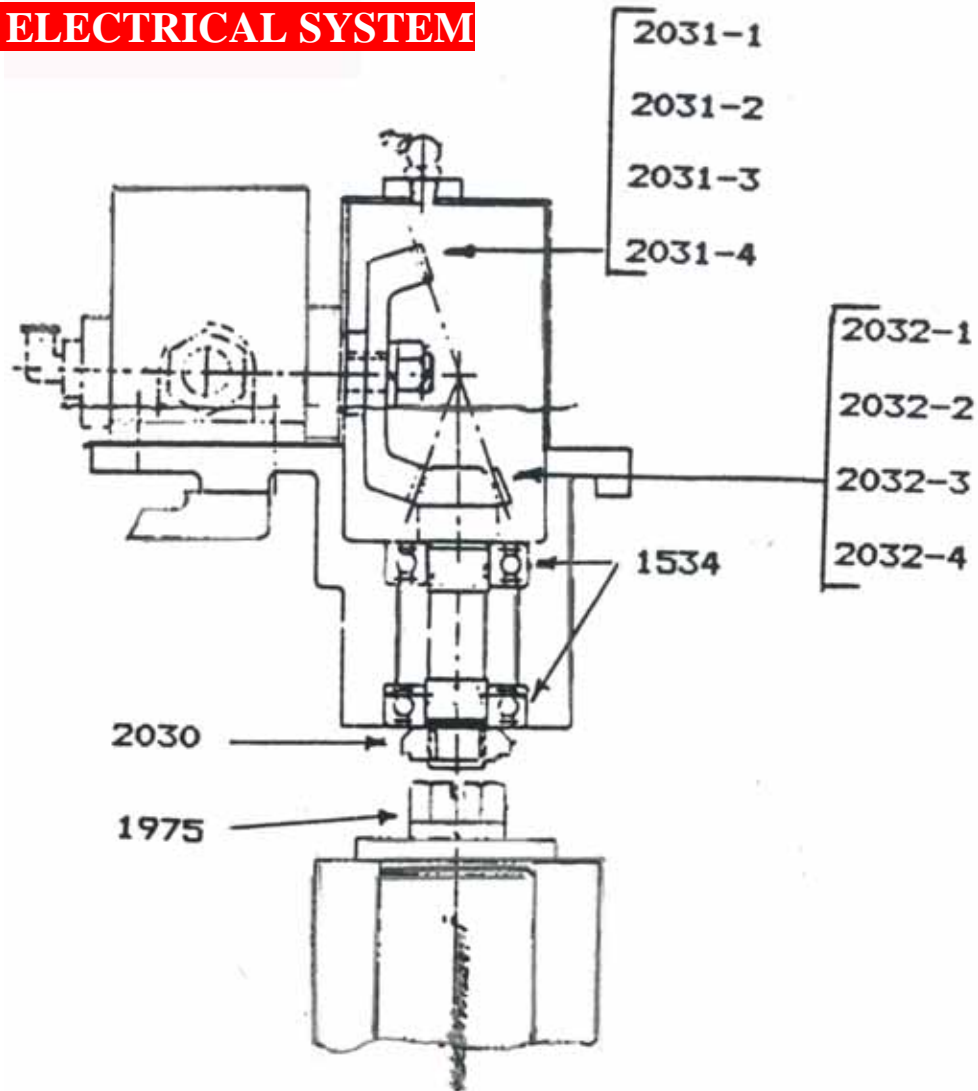
2:1 & 3:2 FOLDER

STOCK NO.	DESCRIPTION	GOSS PART NO.
1565	Pin Motor	C-092252-0002
1596	Lapp Motor	C-092252-0003
1597	Signal Lite Assy - Red-Green	
1598	Signal Lite Assy - Red-Green-White	
1632	Lubricator - 1qt. (4 drip feed)	C-098646-0014
1633	Lubricator - 1qt. (5 drip feed)	C-098646-0015
1634	Coil - 110v for above Lubricators	734700-8002
1648	Balloon Former Detector	ER-21382-0004
1655	Cross Association Detector	ER-21382-0003
1679	4 Button Station - Safe-Ready-Inch-Stop	D-023293-0007
1817	Limit Switch for Delivery Pan - 2:1	
1818	Limit Switch -Horiz. Drive - 3:2	899751-8234
1818-1	Ring Seal for Limit Switch	
1819	Limit Switch for Delivery Pan - 3:2	885477-0015
2096	6 Button Station - Safe-Ready-Inch Faster-Slower-Stop	
2097	Reel Margin Station - Special Order	

www.a-americanpressparts.com

Check our website for updates!

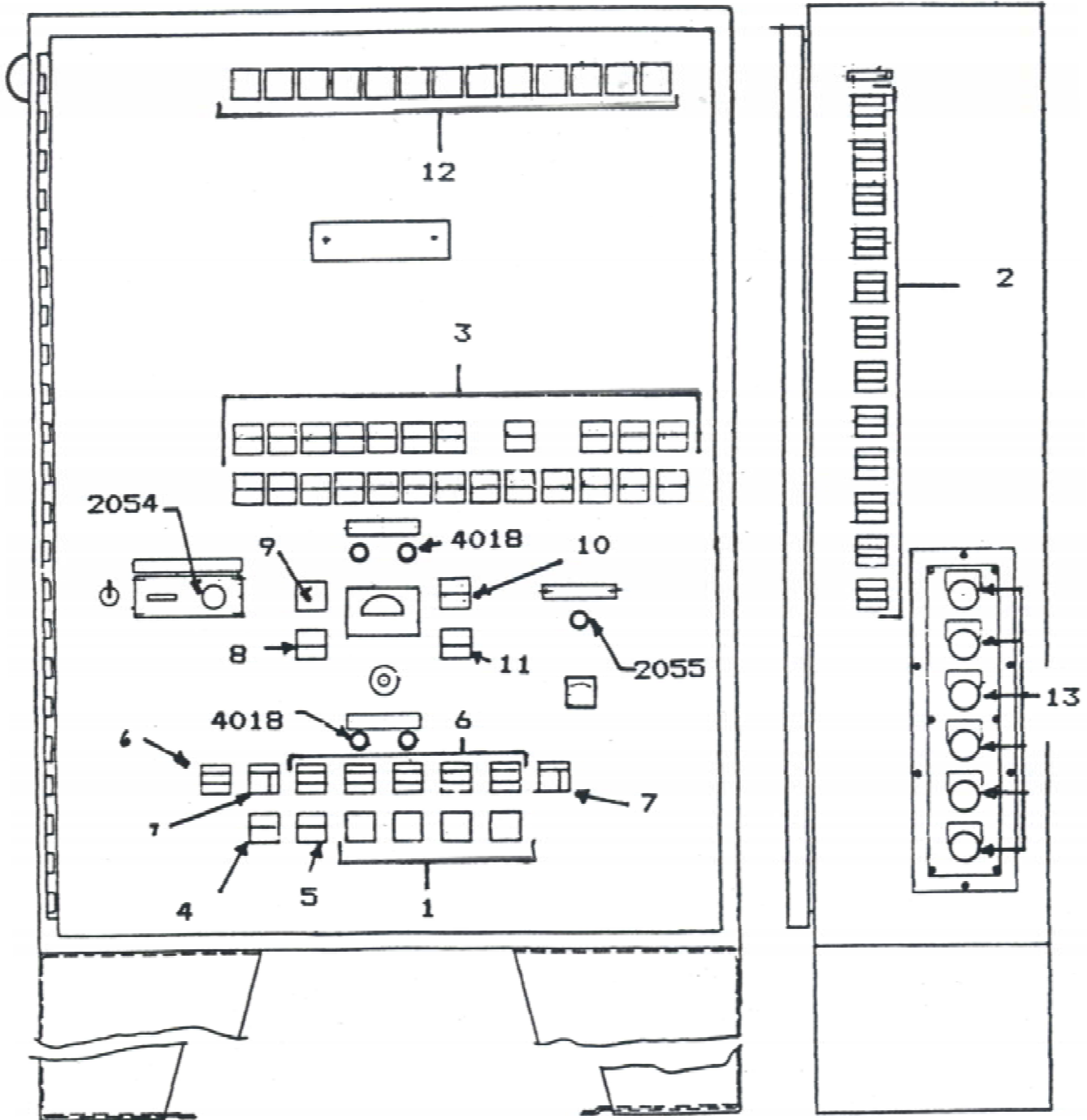
FOLDER: ELECTRICAL SYSTEM



TETCO RECORDING GEARING ASSEMBLY • 3:2 FOLDER

STOCK NO.	DESCRIPTION	GOSS PART NO.
1534	Bearing	C-040104-6204
1975	Screw	A-007681-0001
2030	Locknut	826300-0030
2031-1	Bevel Gear	C-048293-11-2062
2031-2	Bevel Gear	C-058626-11-2093
2031-3	Bevel Gear	C-060244-11-2096
2031-4	Bevel Gear	C-113124-11-2256
2032-1	Beveled Pinion	C-043293-0001
2032-2	Beveled Pinion	C-058626-0001
2032-3	Beveled Pinion	C-060244-0001
2032-4	Beveled Pinion	C-113124-0001

FOLDER: ELECTRICAL SYSTEM



FOLDER CONSOLE • UPRIGHT TYPE (NEW STYLE)



1-888-434-0888
TOLL FREE

FOLDER: ELECTRICAL SYSTEM

FOLDER CONSOLE • UPRIGHT TYPE (NEW STYLE)

	STOCK NO.	DESCRIPTION	GOSS PART NO.
(1)	2044-1	Contact Block (1NO)	ER-021989-0005
	2044-2	Contact Block (1NC)	ER-021989-0032
	2048-1	Single Button Operator	ER-021989-0031
	2051-1	Button - Yellow	C-079690-0003
	2051-2	Button - Black	C-079690-0002
	2051-3	Button - Gray	C-079690-0001
	2051-4	Button - Red	ER-021989-0041
(2)	2044-1	Contact Block (1NO)	ER-021989-0005
	2045-8	Button - Black (Left)	C-079693-0014
	2045-9	Button - Black (Right)	C-079693-0015
	2046-1	Lamp Bulb	
	2047-5	Amber Lens (Paste)	C-079696-0001
	2048-6	2 Button Operator w/ Ind. Light	ER-021989-0046
(3)	1607	2 button Operator	ER-021989-0036
	2044-1	Contact Block	ER-021989-0005
	2045-1	Button - Blue (Advance)	C-079684-0001
	2045-2	Button - Orange (Retard)	C-079684-0002
(4)	2046-2	Bulb	
	2047-2	Lens - Red	ER-021989-0025
	2047-4	Lens - Green	ER-021989-0038
	2053-1	Light - Dual Indicating	ER-021989-0034
(5)	2044-4	Contact Block (1 NO, 1 NC)	ER-021989-0029
	2048-5	2 Button Operator	ER-021989-0033
	2052-1	Button - Green	C-079684-0003
	2052-2	Button - Black	C-079684-0004
(6)	2048-2	2 Button Operator w/ Ind. Light	ER-021989-0035
	2046-1	Bulb	
	2047-1	Lens - Red	
	2044-1	Contact Block (1 NO)	ER-021989-0005
	2044-2	Contact Block (1 NC)	ER-021989-0032
	2049-1	On Button - Orange	C-079693-0012
	2049-2	On Button - White	C-079693-0008
	2049-3	On Button - Black	ER-021989-0040
	2049-4	On Button - Blue	C-079693-0005
	2049-5	On Button - Gray	C-079693-0003
	2049-6	On Button - Brown	C-079693-0001
	2049-7	On Button - Yellow	C-079691-0001
	2049-8	On Button - Black	C-079691-0006
	2050-1	Off Button - Orange	C-079693-0013
	2050-2	Off Button - White	C-079693-0009
	2050-3	Off Button - Black	C-079693-0007
	2050-4	Off Button - Blue	C-079693-0006
	2050-5	Off Button - Gray	C-079693-0004
	2050-6	Off Button - Brown	C-079693-0002



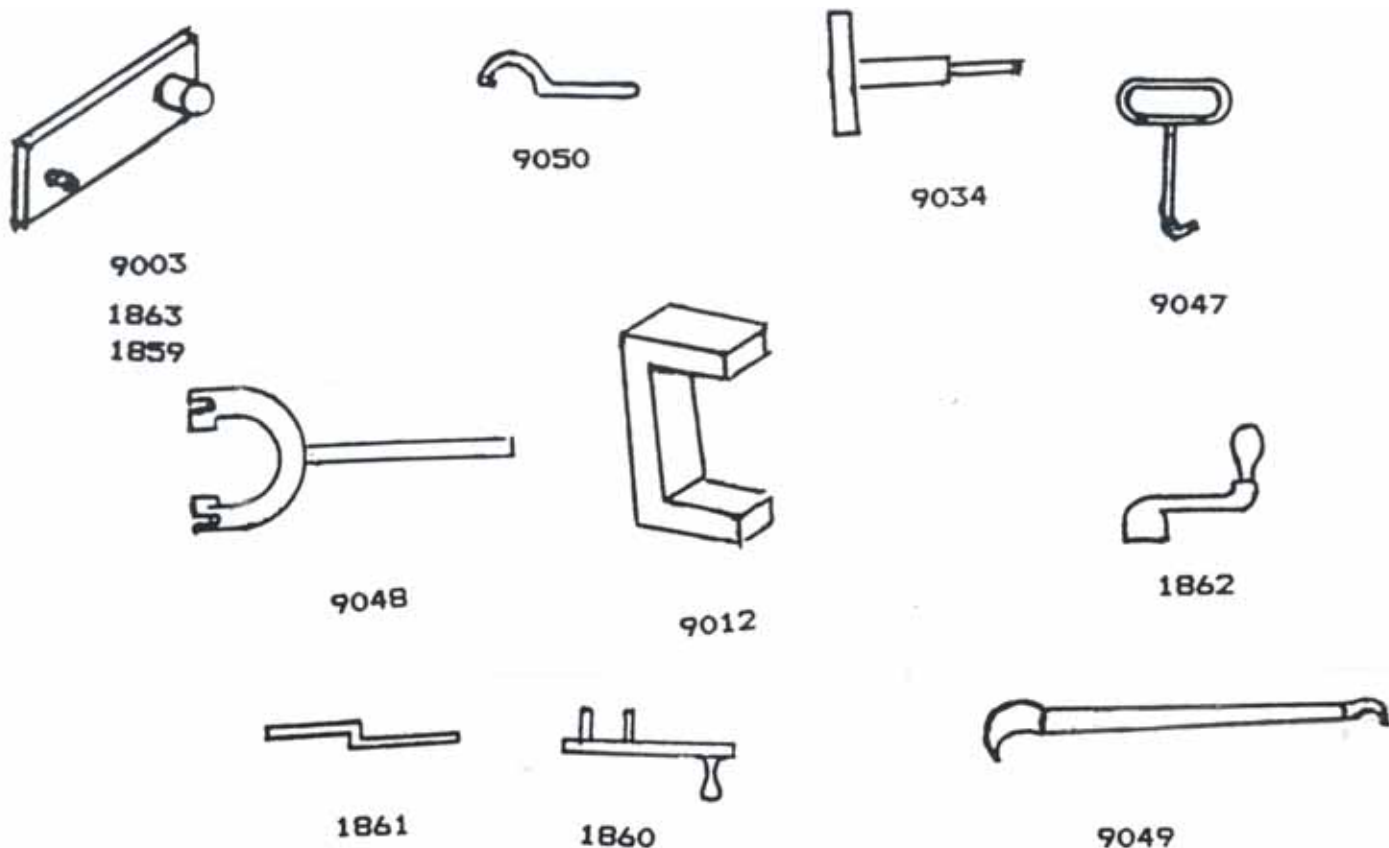
1-888-434-0888
TOLL FREE

FOLDER: ELECTRICAL SYSTEM

FOLDER CONSOLE • UPRIGHT TYPE (NEW STYLE)

	STOCK NO.	DESCRIPTION	GOSS PART NO.
(7)	2048-3	1 Button Operator w/ Release Bar & Light	
	2047-2	Lens - Red	
	2049-7	On Button - Yellow	
	2044-1	Contact Block (NO)	ER-021989-0005
	2049-8	On Button - Black	
(8)	2046-1	Bulb	
	2048-5	2 Button Operator w/ Mech. Interlock	ER-021989-0033
	2045-6	Manual Button - Black	C-079684-0023
	2045-7	Auto Button - Black	C-079684-0024
	2044-3	Contact Block (2 NC)	ER-021989-0075
(9)	2053-2	Single Indicating Light	ER-021989-0044
	2047-6	Lens - Red (Auto)	C-090710-0008
(10)	2044-2	Contact Block (1 NC)	ER-021989-0032
	2048-4	1 Button Operator w/ Ind. Light	ER-021989-0001
	2047-3	Lens - Blue	ER-021989-0039
	2045-5	Reset Button - Black	ER-021989-0043
	2046-1	Bulb	
(11)	2048-4	1 Button Operator w/ Ind. Light	ER-021989-0001
	2047-2	Lens - Red	ER-021989-0025
	2045-3	Flood Button - Black	C-079864-0033
	2044-1	Contact Block (1 NO)	ER-021989-0005
(12)	2053-2	Single Indicating Light	ER-021989-0034
	2046-2	Bulb	
	2054	Remote Counter	C-076151-0003
	2055	GE Variac	906100-8079
	4018	Fuse Holder	B-121598-0001
(13)	3609	Pushbutton Operator - Green (Safe)	D-014727-0050
	3208	Pushbutton Operator - Black	D-014727-0001
	3210	Pushbutton Operator - Gray	D-014727-0047
	2060	Pushbutton Operator - Yellow	D-014727-0003
	3211	Pushbutton Operator - Red	D-014727-0005
	3214	Contact Block (1 NO, 1NC)	D-014727-0014
	3213	Contact Block (1 NO)	D-014727-0049
	3215	Contact Block (2 NO)	D-014727-0016

FOLDER: TOOLS



TOOLS • 2:1, 3:2 & REGENT

STOCK NO.	DESCRIPTION	GOSS PART NO.
1859	Bucket or Fly Gage - Regent	C-115308-0001
1860	Folding Roller Wrench - Regent	C-115583-0001
1861	Anvil Setting Height Gage - Regent	
1862	Band Adjusting Wrench - 3:2	
1863	Bucket or Fly Gage - 3:2	
9003	Bucket or Fly Gage - 2:1	
9012	Knife Height Gage	B-035304-0001
9034	50 lb. Torque Wrench - Folding Pin	
9047	Hook for Lifting Knife Assy.	B-101730-0001
9048	Clutch Shifter Bar	C-039368-0001
9049	Key Bar	
9050	Slitter Hub Locknut Wrench	